

A tradition of innovation since 1966



model TC-15

[tree chipper]

DURATECH[®]



Now available in standard blue or construction yellow

DURATECH....Clearing the way for a better tomorrow.

The Model TC-15 Tree Chipper is the latest model in DuraTech's growing line of durable and innovative tree chippers.

- *Designed to grind limbs and trees up to 15" in diameter.*
- *129 hp (96 kw) CAT C4.4 Diesel Engine*
- *Patented Automated In-Feed System: Allows operator to increase down-pressure on top feed roller while starting large logs, which allows operator to walk away as auto feed governing system handles feeding*
- *Optional Radio Remote Control: Operator can increase down-pressure hydraulically or back log out, all from a skid loader*
- *Optional gathering winch for larger, harder to handle logs*
- *Safety Features include: Breakaway Brake Switch, 2 E-Stop Switches, 2 In-Feed Hopper Light Bars, and Disc Hood Closed Proximity Switch*
- *Available with telescoping hitch frame with pintle or ball type hitch*



HPTO
Wet Clutch



2" Thick
Chipping Disc



15" Hydraulic
Feed Roller



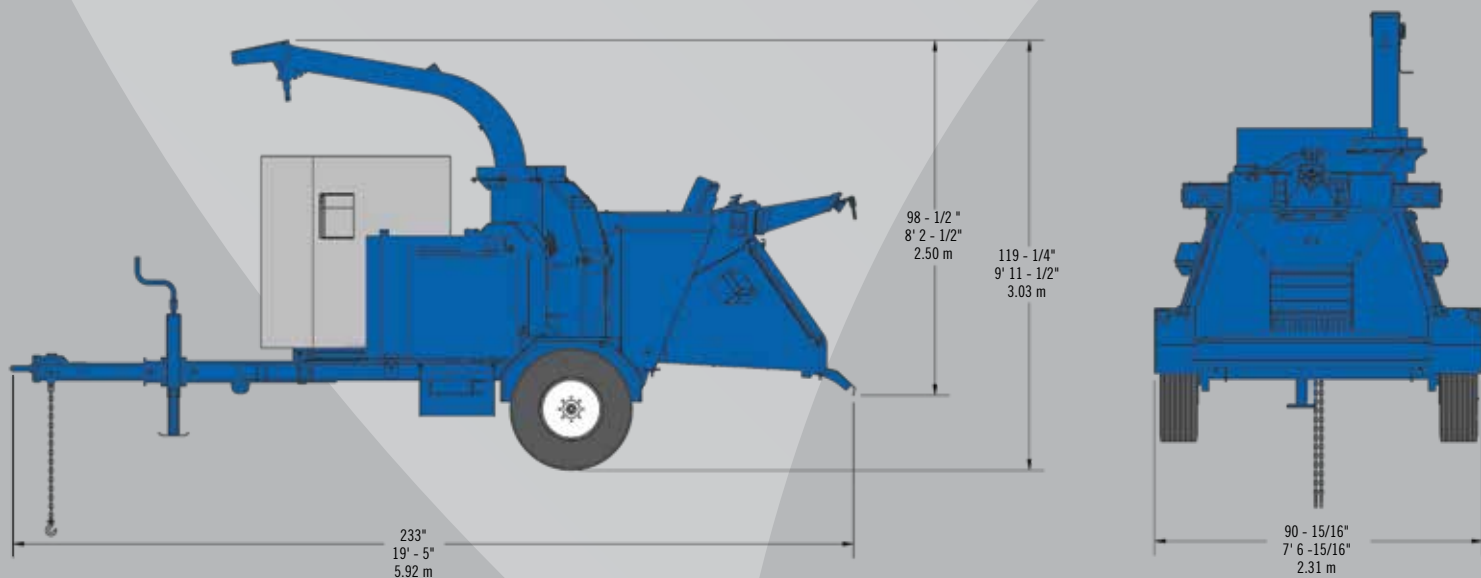
Two Control Panels
with Emergency Stop



Patented Automated
Feed Sensor



Easy-Access
Anvil



SPECIFICATIONS

model TC-15
[tree chipper]

Engine	CAT C4.4 129 hp (96 kw) Diesel	Disc Shaft Size	3-15/16" (10cm) dia.
Gross Weight	8,540 lbs. (3,874kg)	Feed System	Hydraulic 2 Drum
Transport Width	91" (231.1 cm)	Number of Knives	4, 2 slots
Transport Length	208" (528.3 cm)	Size of Knives	4-1/2" (11.5cm) x 9-1/4" (23.5cm) 3-bolt
Hitch	3" Pintle or 2-5/16" Ball	Feed Wheel	Adjustable Spring load, Patented Automated In-Feed System
Tongue Weight	1,140 lbs.(517.1kg)	Discharge System	360°, Hydraulic Rotation w/ Adjustable Chip Spout
Jack	10,000 lbs (4,536kg)	Safety Features	Breakaway Brake Switch, 2 E-Stop Switches, 2 Infeed Hopper Light Bars, and Disc Hood Closed Proximity Switch
Axle	8,000 lbs (3,629kg) Torflex	Frame Size	3" (7.6cm) x 5" (12.7cm) x 1/4" (0.64 cm)
Suspension	Torsional	Options	2 Function Radio Remote (Controls Feed Direction, Feed Raise/Lower, or Winch In/Out)
Brakes	Electric		
Tires	10R 17.5 (16ply)		
Fuel Capacity	40 gal (152 L)		
Hydraulic Oil Capacity	25 gal (95 L)		
Electrical	24V		
Lights	Clearance and Directional		
Transmission	PT Tech HPTO		
Chipping Capacity	15" (30.5cm)		
Infeed Hopper Opening	40" x 64" (102cm x 163cm)		
Throat Opening	15" x 23" (38cm x 58cm)		
Disc Size	48" (122cm) dia. x 2" (5.08cm)		

*Illustrations, specifications, and descriptions contained herein were accurate at the time of publication, but are subject to change without notice.
Illustrations may include optional equipment and accessories and may not include all standard equipment.*

....Clearing the way for a better tomorrow.

3780 Hwy 281 SE, Jamestown, ND 58401
Phone: 1-800-243-4601
duratechindustries.net