

A tradition of innovation since 1966

DURATECH[®] **model 3010**

[industrial tub grinders]


DURATECH[®]



DURATECH...Clearing the way for a better tomorrow.

You asked for it and we got it. The DuraTech Model 3010 is built for extreme wear and tear and comes equipped with a powerful Caterpillar C15 Tier III electronic diesel engine in optional sizes. Easy operation is the key, thanks to remote controls, and a microprocessor controlled wet clutch, it's easier than ever to operate. The self-cleaning air intake system helps protect the engine, reduce engine noise and extend the life of your machine. No matter the terrain, the DuraTech model 3010 gets the job done.

model 3010

FEATURE


- 44" (111.76 cm) Rotor Mounted on a 6" (15.24 cm) Rotor Shaft with 4" (10.16 cm) Oil Bath Bearings
- 20 Fixed Single Bolt Hard Surfaced Hammers or 40 Swinging Hammers
- (8) 1 1/2" (3.81 cm) Hammer Rods
- 2403 in. sq. (6103.6 sq cm) of Grinding Screen Area
- 1" (2.54 cm) Thick Screens in Various Sizes

FEATURE


- HPTO Oil Cooled Clutch
- Self Adjusting
- Continuous Lubrication
- Built-in Torque Limiter & Brake
- Microprocessor Controlled

FEATURE


- Single Orbit Motor Tub Drive Thru 120H Chain
- 8" (20.32 cm) Heavy Duty Tub Channel
- Continuous Tooth Sprocket Around Tub
- Dual Spring Adjustable Chain Tension

FEATURE


- 30" (76.2 cm) Wide Laceless Belly Belt
- Impact Resistant Vulcanized Belt

FEATURE


- 30" (76.2 cm) Wide x 26' (7.92 m) Long Stacking Conveyor
- 18' (5.48 m) Stacking Height
- Optional Magnetic Roller and Aluminum Chute for Metal Removal
- 50 Degree Oscillation

[industrial tub grinder]

In a class all by itself...



Enclosed Engine Compartment Quiets and Protects the Engine from Dust and Debris Buildup. Optional Hydraulic Tub Cover Controls Flying Debris

FEATURE



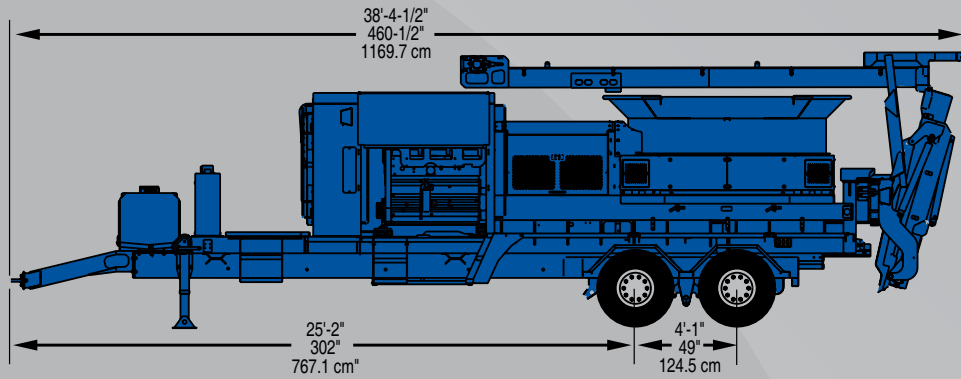
- Command Console:
- Master Engine Controls and Gauges
- Electric Over Hydraulic Controls for: Clutch, Governor, Tub, Conveyor and Optional Equipment
- Optional Remote Control: Emergency shut off, tub rotation, Conveyor and Optional Equipment

FEATURE

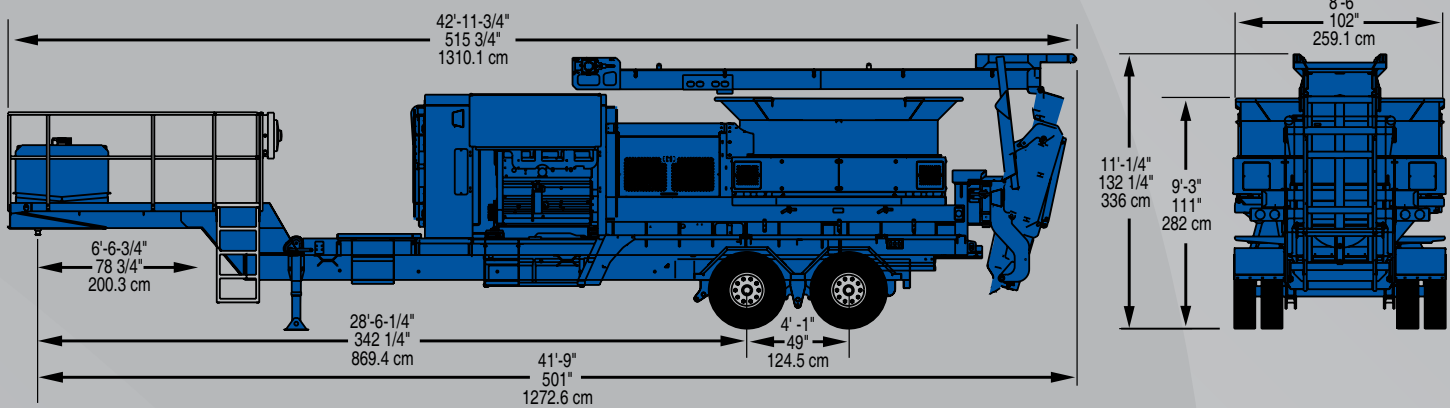


- Self Cleaning Rotary Air Intake Screen
- 1800 sq. In. (11,612 sq cm) of Air Passage
- Constant Clean Air to Radiator and Engine
- Reduces Maintenance
- Easy Access to Radiator for Servicing
- Allows Flexibility in Positioning Grinder

[industrial tub grinder]



model 3010P (Pintle Hitch)



model 3010F (Fifth Wheel Hitch)

SPECIFICATIONS [model 3010]

Weight with Pintle Hitch	35,840 lbs (16,256.75kg)	Tub Wall	1/4" (.64cm) Thick
Tongue Weight on Pintle Hitch	5,840 lbs. (2,648.98kg)	Tub Floor	3/8" (.95cm) Thick
Weight with Fifth Wheel Hitch	38,000 lbs (17,236.51kg)	Tub Drive	Single Orbit Motor Tub Drive thru 120 H Chain
Transport Width	8'6" (2.59m) w/flares tipped in	Service Access	90 Degree Tilting Tub
Transport Height	11' (3.35m)	Stacking Conveyor	26' (7.92m) Long x 30" (76.2cm) Wide x 8" (20.3cm) Deep
Transport Length w/ Pintle Hitch	38'4-1/2" (11.69m)	Belly Conveyor	30" (76.2cm) Wide Impact Resistant
Transport Length w/ Fifth Wheel Hitch	42'11-3/4" (13.1m)	Tub Speed Sensor	Electronic Self Governing
Axle	(2)-22,500 lbs (10,205.82kg)	Rotor – Shaft Diameter	6" (15.24cm) Stress Proof Steel
Electrical	24 Volt	Rotor Length	44" (111.76cm)
Lights	Clearance, Directional and Tail	Rotor Plates	16" (40.64cm) Diameter x 1 1/2" (3.81cm) Thick
Tires	255/70Rx22.5	Hammers	20 Fixed Single Bolt or 40 Swinging
Engine	475 HP (354.21kw) or 540 HP (402.68kw) CAT C15 Tier III	Feed Opening	45" (114.3cm) x 25" (63.5cm)
Fuel Capacity (Fifth Wheel)	300 Gallons (1,135.6 l)	Screens	Split Screens 1" (2,54cm) Thick
Fuel Capacity-Pintle Hitch	180 Gallons (681.37 l)	Screen Area	2430 sq in. (15,503 sq cm)
Hydraulic Oil Capacity	50 Gallons (189.3 l)	Hammer Rods	(8) 1 1/2" (3.81cm) x 43" (109.2cm) Long
Tub Width	10' (3.04m)	Bearings	4" (10.16cm) Pillow Block Bearings
Tub Depth	46" (116.84cm)	Hammermill Drive	Direct Drive Through HPTO 14 Wet Clutch
Tub Diameter at Base	8' (2.43m)		
Transport Height with Tub Cover	135.82 in (345.01cm)		

Illustrations, specifications, and descriptions contained herein were accurate at the time of publication, but are subject to change without notice. Illustrations may include optional equipment and accessories and may not include all standard equipment.

[w/grapple loader]

FEATURE



Cab raises 4' for unobstructed view of loading

FEATURE



25' boom, continuous rotating grapple

FEATURE



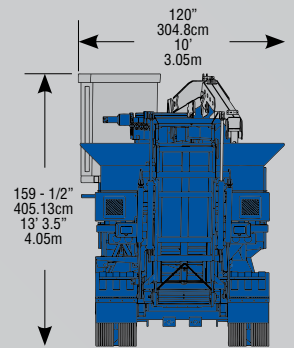
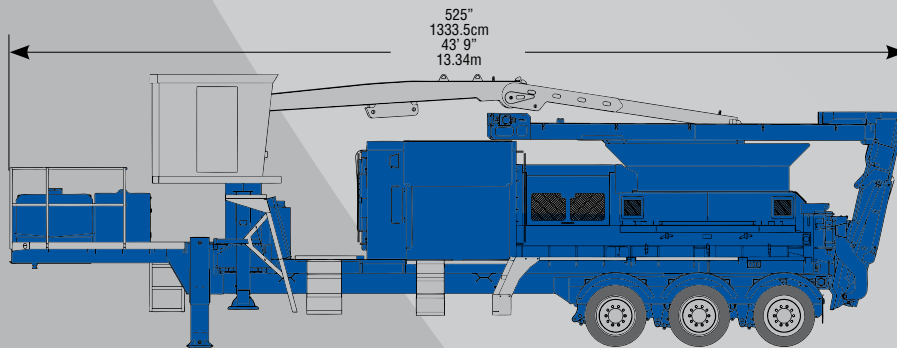
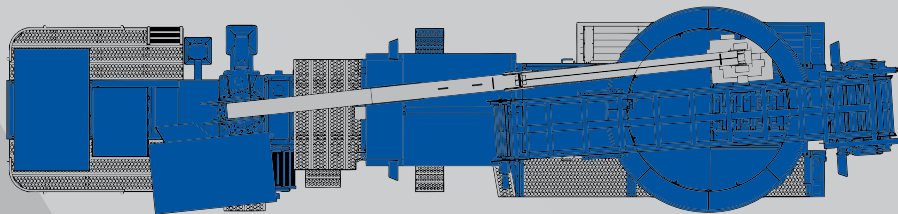
Easy to operate joystick controls

FEATURE



All function controls at the finger tips of the operator

FEATURE



SPECIFICATIONS

[model 3010FL
w/grapple loader]

Weight	51,540 lbs (23,378.15kg)	Service Access	90 Degree Tilting Tub
Hitch Weight	13,200 lbs (5,987.42kg)	Stacking Conveyor	26' (7.92m) Long x 30" (76.2cm) Wide x 8" (20.3cm) Deep
Transport Width	10' (3.05m)	Belly Conveyor	30" (76.2cm) Wide Impact Resistant
Transport Height	13' 4" (4.06m)	Tub Speed Sensor	Electronic Self Governing
Transport Length	43' 9" (13.34m)	Rotor - Shaft Diameter	6" (15.24cm) Stress Proof Steel
Axles	(3) 22,500 lbs (10,208.83kg)	Rotor Length	44" (111.76cm)
Electrical	24 Volt	Rotor Plates	16" (40.64cm) Diameter x 1 1/2" (3.81cm) Thick
Lights	Clearance, Directional & Tail	Hammers	20 Fixed Single Bolt or 40 Swinging
Tires	(12) -255 X70R X 22.5	Feed Opening	45" (114.3cm) x 25" (63.5cm)
Engine	540hp(402.68kw) CAT C15 Tier III	Screens	Split Screens 1" (2,54cm) Thick
Fuel Capacity	300 Gallons (U.S.) (1135.6L)	Screen Area	2430 sq in. (15,503 sq cm)
Hydraulic Oil Capacity	110 Gallons (U.S.) (416.6L)	Hammer Rods	(8) 11/2" (3.81cm) x 43" (109.2cm) Long
Tub Width	10' (3.05m)	Bearings	4" (10.16cm) Pillow Block Bearings
Tub Depth	46" (116.8cm)	Hammermill Drive	Direct Drive Through HPTO 14 Wet Clutch
Tub Diameter at Base	8' (2.43cm)		
Transport Height with Tub Cover	135.82 in (345.01cm)		
Tub Wall	1/4" (.64cm) Thick		
Tub Floor	3/8" (.95cm) Thick		
Tub Drive	Single Orbit Motor Tub Drive thru 120 H Chain		

Illustrations, specifications, and descriptions contained herein were accurate at the time of publication, but are subject to change without notice. Illustrations may include optional equipment and accessories and may not include all standard equipment.

[w/tracks]

FEATURE



CAT 20" x 15' 320L
Track System

FEATURE

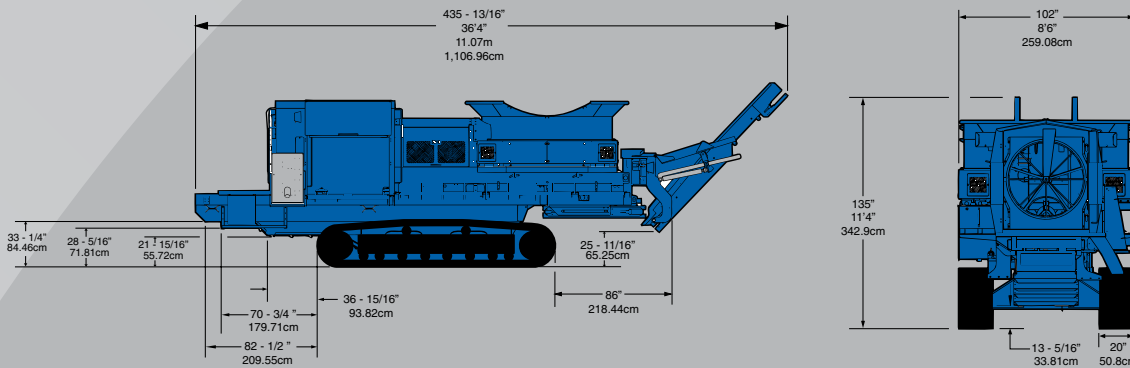


Compact stacking
conveyor

FEATURE



Remote control handles
most of the functions of
the grinder



SPECIFICATIONS [model 3010T]

Weight	44,620 lbs.(20239.3kg)
Transport Width	8' 6" (2.59m)
Transport Height	11' 4" (3.45m)
Transport Length	36' 4" (11.07m)
Ground Clearance	24" (60.7cm)
Incline Grade	Tracks will Climb 50% Incline Grade
Track System	20" (50.8cm) wide x 15' (4.6m) long Steel Track
Electrical	24 volt
Engine	475 HP (354.21 kw) or 540 HP (402.68 kw) CAT C15 Tier III
Fuel Capacity	160 Gallons (605.6 L)
Hydraulic Oil Capacity	50 Gallons (U.S.) (189.3 L)
Tub Width	10' (3.04m)
Tub Depth	46" (116.84cm)
Tub Diameter at Base	8' (2.43m)
Transport Height with Tub Cover	135.82 in (345.01cm)
Tub Wall	1/4" (.64cm) Thick
Tub Floor	3/8" (.95cm) Thick
Tub Drive	Single Orbit Motor Tub Drive thru 120 H Chain
Service Access	90 Degree Tilting Tub

Short Conveyor (shown)	10'6" (3.2m) Long x 30" (76.2cm) Wide x 8" (20.3cm) Deep
Optional Folding Conveyor	26' (7.92m) Long x 30" (76.2cm) Wide x 8" (20.3cm) Deep
Belly Conveyor	30" (76.2cm) Wide Impact Resistant
Tub Speed Sensor	Electronic Self Governing
Rotor – Shaft Diameter	6" (15.24cm) Stress Proof Steel
Rotor Length	44" (111.76cm)
Rotor Plates	16" (40.64cm) Diameter x 1 1/2" (3.81cm) Thick
Hammers	20 Fixed Single Bolt or 40 Swinging
Feed Opening	45" (114.3cm) x 25" (63.5cm)
Screens	Split Screens 1" (2,54cm) Thick
Screen Area	2430 sq in. (15,503 sq cm)
Hammer Rods	(8) 1 1/2" (3.81cm) x 43" (109.2cm) Long
Bearings	4" (10.16cm) Pillow Block Bearings
Hammermill Drive	Direct Drive Through HPTO 14 Wet Clutch

Illustrations, specifications, and descriptions contained herein were accurate at the time of publication, but are subject to change without notice. Illustrations may include optional equipment and accessories and may not include all standard equipment.