



HD-8TM *Series V*

Industrial Tub Grinder
Serial Number 1100359 & Up

Manual 2: Parts Reference





 **DURATECH[®]**
Clearing the Way for a Better Tomorrow



HD-8TM *Series V*

Industrial Tub Grinder
Serial Number I100359 & Up

Manual 2: **Parts Reference**

DuraTech Industries International Inc. (DuraTech Industries) has made every effort to assure that this manual completely and accurately describes the operation and maintenance of the HD-8TM Industrial Tub Grinder as of the date of publication. DuraTech Industries reserves the right to make updates to the machine from time to time. Even in the event of such updates, you should still find this manual to be appropriate for the safe operation and maintenance of your unit.

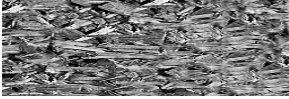
This manual, as well as materials provided by component suppliers to DuraTech Industries are all considered to be part of the information package. Every operator is required to read and understand these manuals, and they should be located within easy access for periodic review.

 **DURATECH**[®] is a registered trademark of Duratech Industries International, Inc.

HD-8 is a trademark of Duratech Industries International, Inc.



 **DURATECH[®]**
Clearing the Way for a Better Tomorrow



Foreword

All personnel must read and understand before operating unit

DuraTech Industries International Inc. (DuraTech Industries) has made every effort to assure that this manual completely and accurately describes the operation and maintenance of this Industrial Grinder as of the date of publication. DuraTech reserves the right to make updates to the machine from time to time. Even in the event of such updates, you should still find this manual to be appropriate for the safe operation and maintenance of your machine.

This manual, as well as materials provided by component suppliers to DuraTech Industries are all considered to be part of the information package. Every operator is required to read and understand these manuals. All manuals should be located within easy access for troubleshooting and periodic review.

Appropriate use of the unit

This Industrial Grinder is designed to grind wood waste and other materials, including grass clippings, leaves, construction and demolition debris, tree branches and tree trunks. It is **NOT** designed to grind rocks, steel, concrete, or the like.

Operator protection

As with all machinery, care needs to be taken by the operator in order to insure the safety of the operator and those in the surrounding area.



WARNING: Operators and those observing the operation of the Industrial Grinder are required to wear head, eye, and ear protection. No loose clothing is allowed.

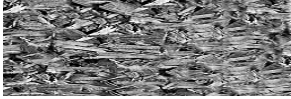


TABLE OF CONTENTS

Manual 2: Parts Reference	1
MAIN FRAME ASSEMBLY	2
TUB DRIVE ASSEMBLY	4
TUB ASSEMBLY	6
TUB AGITATOR ASSEMBLY	8
PLATFORM ASSEMBLY	10
PRESSURE ROLLER ASSEMBLY	12
TUB ROLLER ASSEMBLY	14
ROTOR ASSEMBLY	16
DRIVELINE ASSEMBLY	19
CONVEYOR ASSEMBLY	20
SHROUDS	22
BATTERY BOX	24
CLUTCH LINKAGE	26
AXLE ASSEMBLY	28
MAGNETIC ROLLER KIT	30
5 SWITCH CONTROL PANEL ASSEMBLY	32
7 SWITCH CONTROL PANEL	34
CUMMINS PANEL	36
CUMMINS PANEL SCHEMATIC	38
ROAD LIGHTS SCHEMATIC	39
STANDARD ELECTRICAL SCHEMATIC	40
ELECTRICAL SCHEMATIC WITH REMOTE RADIO	41
ELECTRICAL SCHEMATIC WITH TUB COVER OPTION	42
MAIN WIRING HARNESS- CONTROL PANEL DETAIL	43
MAIN WIRING HARNESS	44
RADIO REMOTE WIRING HARNESS	45
OMNEX RADIO SCHEMATIC	46
OMNEX RADIO SCHEMATIC WITH TUB COVER	47
OMNEX RADIO SCHEMATIC LADDER BASE BASE	48
TUB COVER HARNESS	49
ELECTRICAL PART LIST	50
HYDRAULIC SYSTEM SCHEMATIC	51
TUB COVER HYDRAULIC SYSTEM SCHEMATIC	52
HYDRAULICS PART LIST	53
TANK FITTINGS	54
PUMP SN II0359 TO AJ0420	56
RETROFIT PUMPFOR SN II0359 TO AJ0420	57
PUMP SN AJ0421 AND UP	58
HYDRAULIC FILTER	59
VALVE BANKS-SUPPLY	60

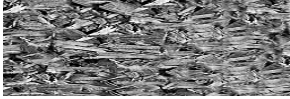


TABLE OF CONTENTS

VALVE BANKS-WORKING	62
TUB ORBIT MOTOR	63
CONVEYOR ORBIT MOTOR	64
CONVEYOR LIFT CYLINDER	65
TUB TILT CYLINDER	66
HYDRAULIC ELECTRIC SOLENOID VALVE	68
RADIO REMOTE CONTROL	70
FUEL LINE ASSEMBLY	72
TUB COVER ASSEMBLY	74
TUB COVER HYDRAULIC FITTINGS	76
TUB COVER VALVES	78
TUBCOVER HOSES	80
DECALS	82
HD-8 Documentation Comment Form	85
APPENDIX A: SCHEMATIC FOLDOUTS	87

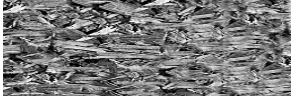


TABLE OF CONTENTS



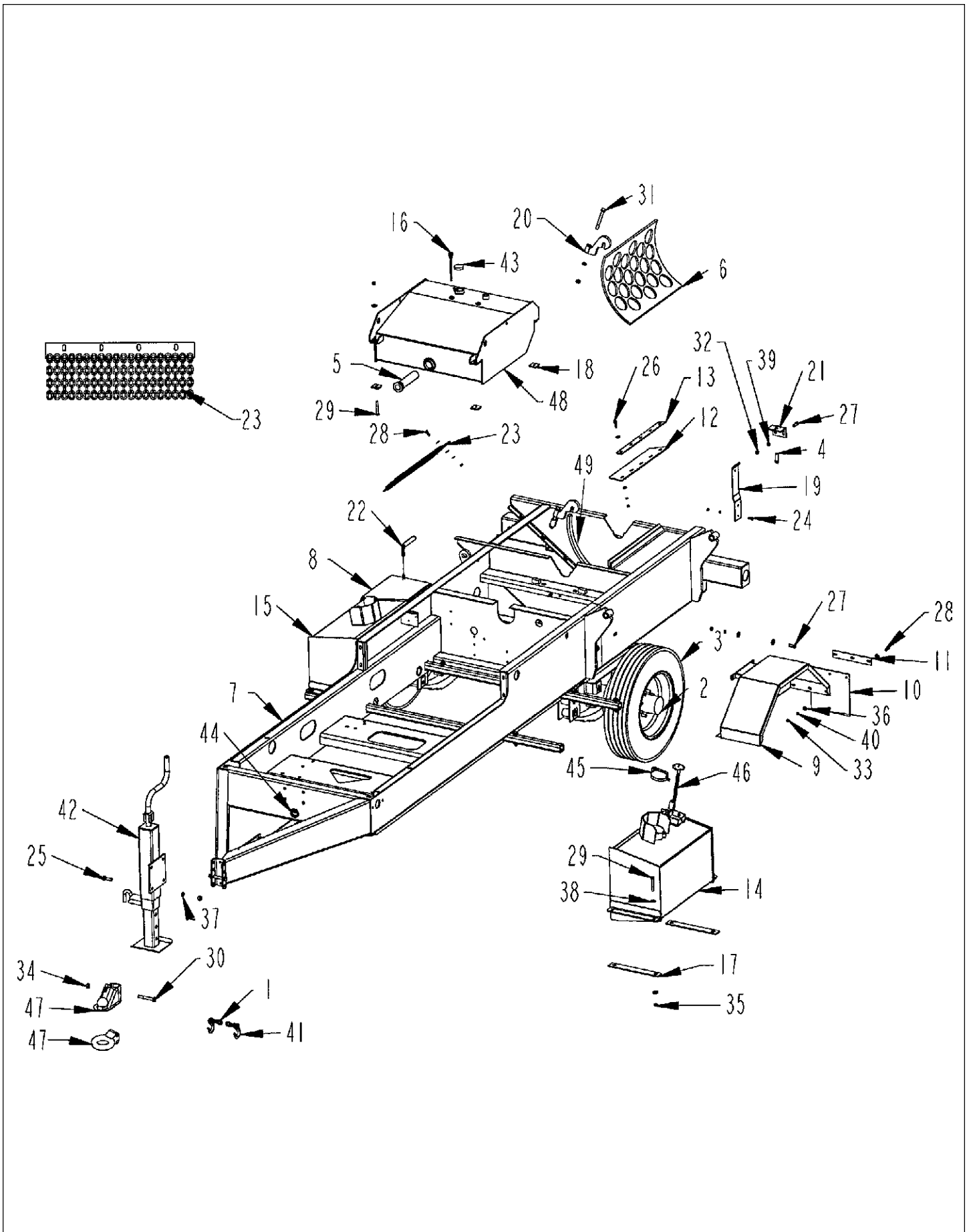


HD-8TM *Series V*

Industrial Tub Grinder
Serial Number 1100359 & Up

Manual 2:
Parts Reference

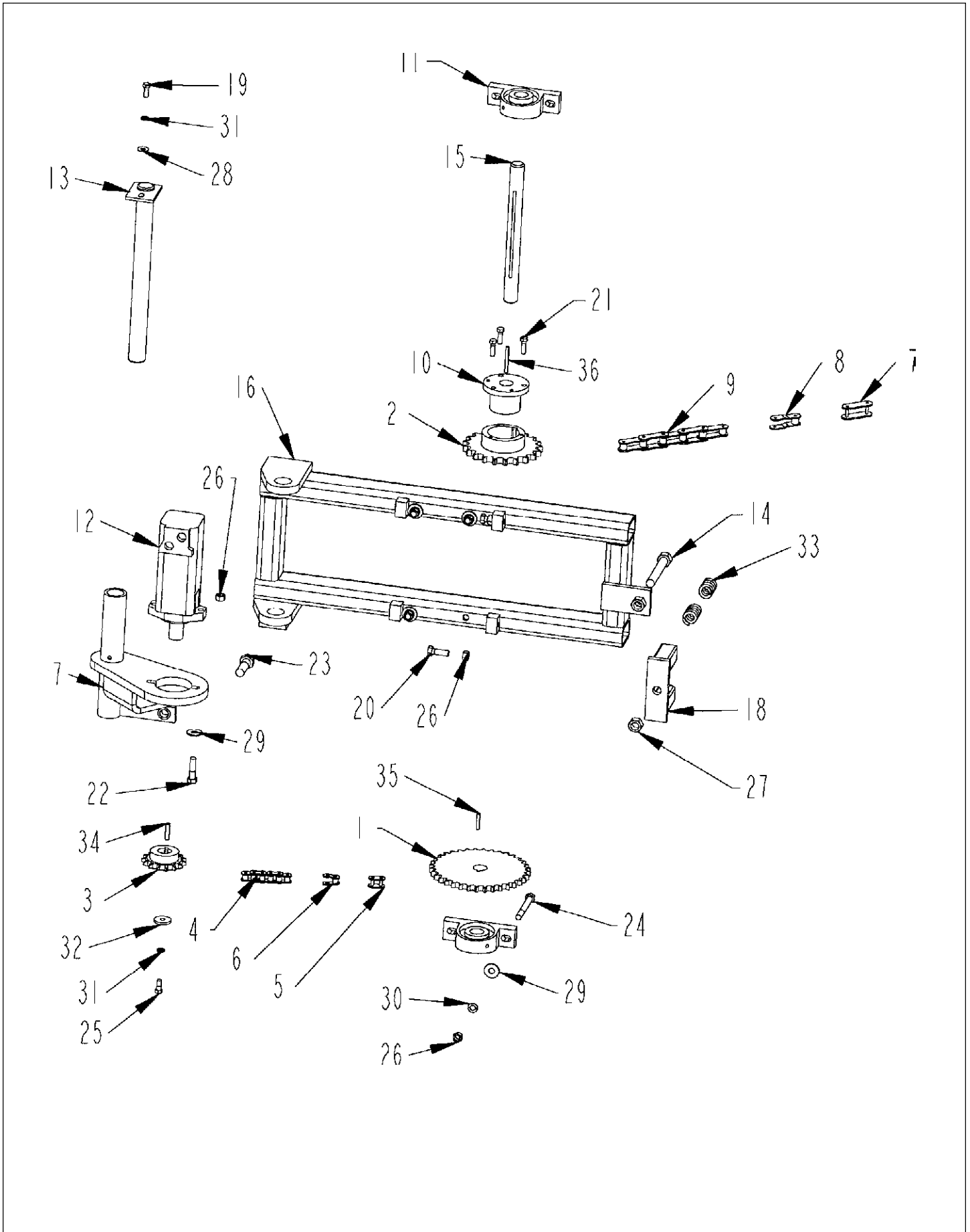
MAIN FRAME ASSEMBLY



MAIN FRAME ASSEMBLY

ITEM	PART	QTY.	PART DESCRIPTION
1	1100128	1	CHAIN\5\16\HI-TEST
2	2500453	1	AXLE\ELEC\10K\74X46\3\H11E
	2500024		AXLE\COMP\15K\ELEC\74X46 used with 19.5 tire
3	2600820	2	WHL\ASSY\215X75RX17.5\SNGL\8BOLT
	2600839		WHEEL\ASSY\265X70RX19.5\10 BOLT
4	4300009	1	SENSOR\MAG\W\HARDWARE
5	4400007	1	FLTR\SCRN\2MPX1-1/4FP\25GPM
6	4700633	1	SCRN\GRDR\4HL\1/2X27
7	4702410	1	FRM\MAIN\HD8\99
8	4702415	1	FNDR\RH\HD8
	4703016		FNDR\RH\HD8\19.5;TIRE
9	4702416	1	FNDR\LH\HD8
	4703017		FNDR\LH\HD8\19.5;TIRE
10	4702418	2	COVER\TIRE\FLAP\MUD
11	4702419	2	STRAP\FLAP\MUD
12	4702420	1	SEAL\CNVYR\BELLY\HD8
13	4702421	1	STRAP\MNTG\SEAL\CNVYR
14	4702433	1	TANK\FUEL\25GAL\LH\HD8
15	4702434	1	TANK\FUEL\25GAL\RH\HD8
16	4702439	1	ASSY\DIPSTICK\TANK\HYD
17	4702440	4	CUSH\RBBR\1/4X2X15\TANK\FUEL
18	4702441	4	CUSH\RBBR\1/4X2X2\TANK\HYD
19	4702498	1	BRKT\HOSE\TILT\TUB
20	4702521	2	BRKT\HOOK\SCRN
21	4702525	1	BRKT\SNSR\RTR\HD8
22	4702543	1	PIN\LOCK\TILT\PLTFRM
23	4702601	1	DFLCTR\CHN\CNVYR
24	4800003	2	BOLT\HEX\3/8X1
25	4800010	4	BOLT\HEX\5/8X2
26	4800034	5	BOLT\HEX\3/8X1-1/2
27	4800082	10	BOLT\HEX\1/2X1-1/2
28	4800098	12	BOLT\HEX\3/8X1-1/4\NC
29	4800135	12	BOLT\HEX\1/2X3-1/2
30	4800158	2	BOLT\HEX\5/8X4-1/2
31	4800544	2	BOLT\HEX\5/8X6\NC
32	4900001	10	NUT\HEX\1/2\NC
33	4900002	19	NUT\HEX\3/8\NC
34	4900005	8	NUT\HEX\5/8\NC
35	4900014	12	NUT\TPLCK\1/2\NC
36	5000001	32	WASH\FLAT\3/8
37	5000003	6	WASH\LOCK\5/8
38	5000004	36	WASH\FLAT\1/2
39	5000006	10	WASH\LOCK\1/2
40	5000019	19	WASH\LOCK\3/8
41	5800002	2	5/16 SLIP HOOK
42	4702514	1	JACK\10000\ONE;SPD\27-1/2
43	7500275	1	CAP\VENTED\TANK\OIL
44	7500360	1	GROMMET 1.5ID X.25 2775
45	7500622	2	CAP\FUEL\5343\600 SER
46	7500669	1	GAUGE\SENDING\UNIT
47	7500227	1	HITCH\BALL\2-5/16"
47	7500729		HITCH\PINTLE\3\BOLT-ON
48	4702435		TANK\HYD\HD8\SERIESV
49	4700896		SCRN\TRACK\HD8

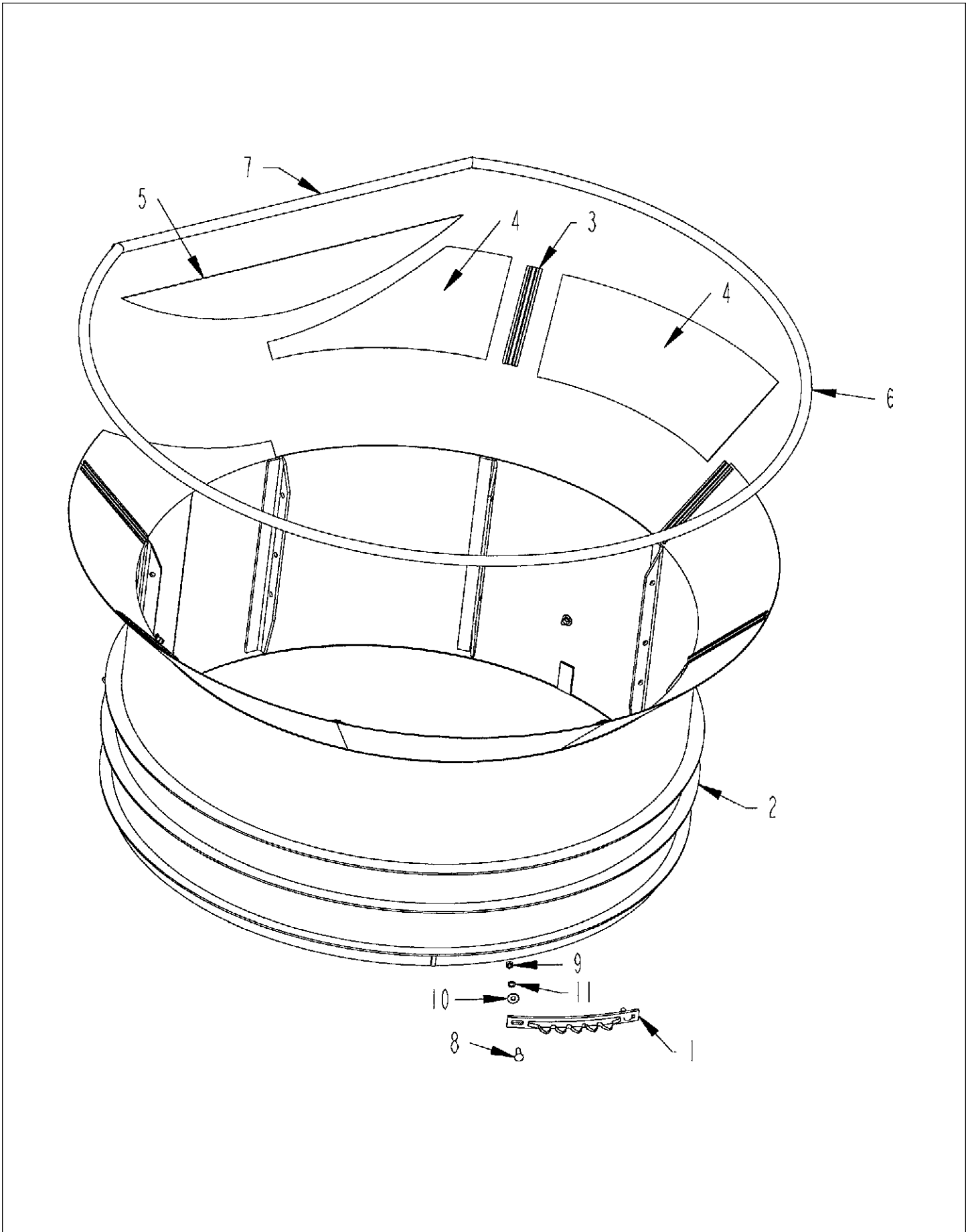
TUB DRIVE ASSEMBLY



TUB DRIVE ASSEMBLY

ITEM	PART	QTY.	PART DESCRIPTION
1	1000009	1	SPKT\60\B\36\1-1/4\1/4KW
2	1000053	1	SPKT\80\B\21\2-7/8\1/2KW
3	1000127	1	SPKT\60\B\15\1-1/4\5/16KW
4	1100013	1	CHAIN\60\45
5	1100062	1	CHAIN\60\CL
6	1100063	1	CHAIN\60\OL
7	1100070	1	CHAIN\2080\CL
8	1100071	1	CHAIN\2080\OL
9	1100154	1	CHAIN\2080\119
10	1400515	1	BUSH\Q1\1-1/4
11	2000502	2	BRG\PB\1-1/4\2BOLT
12	3900010	1	MTR\HYD\24\2000\SAE;A
13	4702084	1	PIN\HINGE\FRM\DRIVE\TUB
14	4702349	1	BOLT\FRM\DR\TUB\HD1098
15	4702407	1	SHFT\DR\TUB\1-1/4X13-1/2
16	4702408	1	FRM\WHL\BULL\DR\TUB\HD8
17	4702425	1	BRKT\MOTOR\ORBIT\DRIVE\TUB
18	4702666	1	BRKT\TNSN\SPG\FRM\DR\TUB
19	4800003	1	BOLT\HEX\3/8X1
20	4800082	2	BOLT\HEX\1/2X1-1/2
21	4800098	3	BOLT\HEX\3/8X1-1/4\NC
22	4800114	2	BOLT\HEX\1/2X2
23	4800115	1	BOLT\HEX\3/4X2-1/2
24	4800141	4	BOLT\HEX\1/2X4-1/2
25	4800293	1	BOLT\HEX\3/8X7/8\NC
26	4900001	8	NUT\HEX\1/2\NC
27	4900004	4	NUT\HEX\3/4\NC
28	5000001	1	WASH\FLAT\3/8
29	5000004	6	WASH\FLAT\1/2
30	5000006	4	WASH\LOCK\1/2
31	5000019	2	WASH\LOCK\3/8
32	5000096	1	WASH\FLAT\SPCL\13\32X7GAX1-1/2OD
33	6100005	4	SPRNG\249OT\13\16ID\1-5\16OD\2-3\8LOA
34	6200004	1	KEY\SQ\5\16X1-1/2
35	6200005	1	KEY\SQ\1/4X1-1/2
36	6200019	1	KEY\SQ\1/4x2-1/2

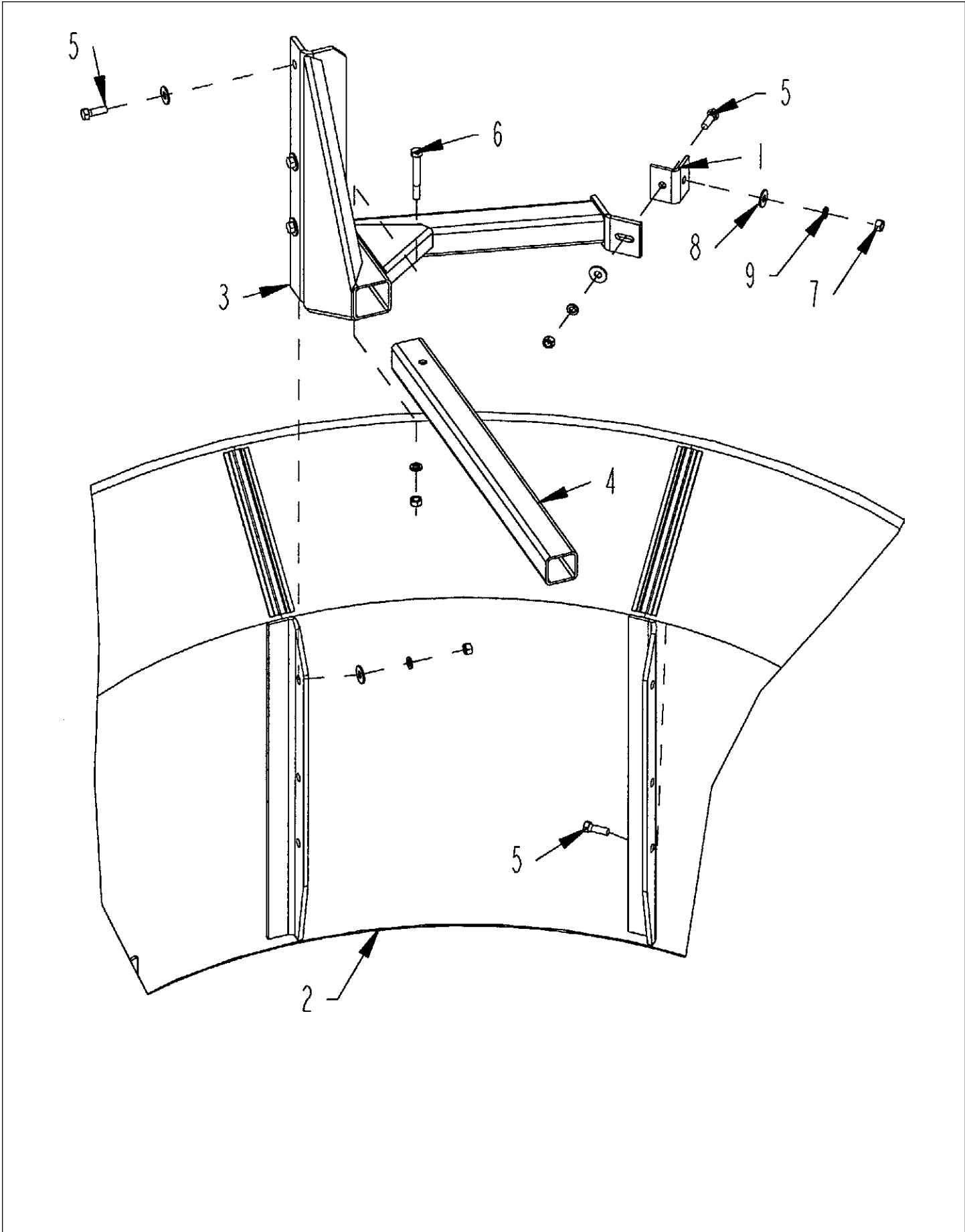
TUB ASSEMBLY



TUB ASSEMBLY

ITEM	PART	QTY.	PART DESCRIPTION
1	4702321	3	TEETH\DRITUB
2	4702361	1	TUB
3	4702651	7	GSST\PETAL\TUB\HD899
4	4702652	8	PETAL\TUB\HD899
5	4702653	1	PETAL\FLAT\TUB\HD899
6	4702654	1	RING\TUB\HD899
7	4702655	1	RING\TUB\STR\HD899
8	4800201	6	BOLT\CRG\1/2X1-3/4\NC\GR5
9	4900001	6	NUT\HEX\1/2\NC
10	5000004	6	WASH\FLAT\1/2
11	5000006	6	WASH\LOCK\1/2

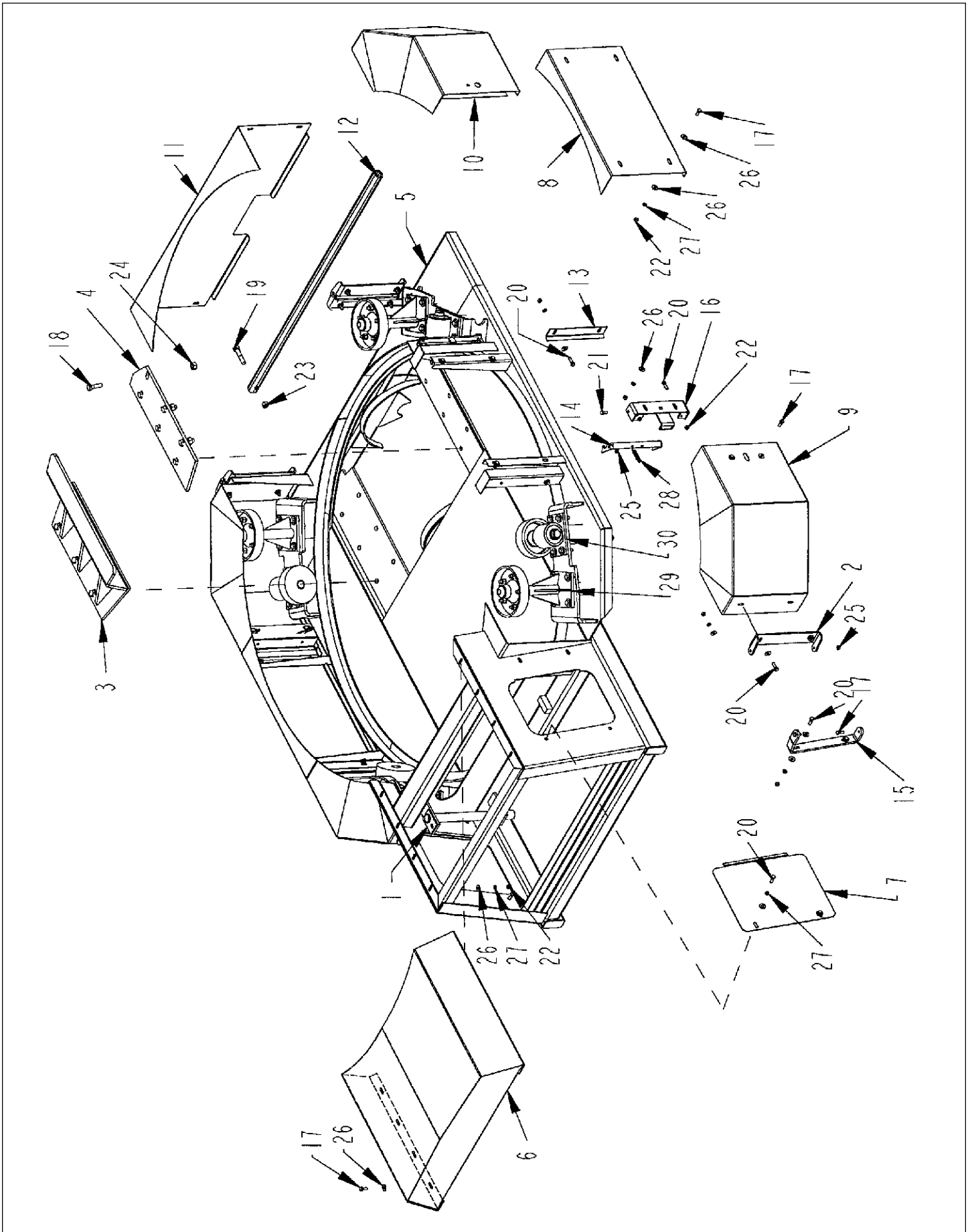
TUB AGITATOR ASSEMBLY



TUB AGITATOR ASSEMBLY

ITEM	PART	QTY.	PART DESCRIPTION
	4702550		TUB AGITATOR KIT
1	4700265	1	BRKT\AGTTR\TUB
2	4702361	1	TUB
3	4702688	1	MNT\AGTTR\TUB
4	4702690	1	AGTTR\TUB\ARMST\HD8V
5	4800082	5	BOLT\HEX\1/2X1-1/2
6	4800188	1	BOLT\HEX\1/2X4
7	4900001	6	NUT\HEX\1/2\NC
8	5000004	8	WASH\FLAT\1/2
9	5000006	6	WASH\LOCK\1/2

PLATFORM ASSEMBLY



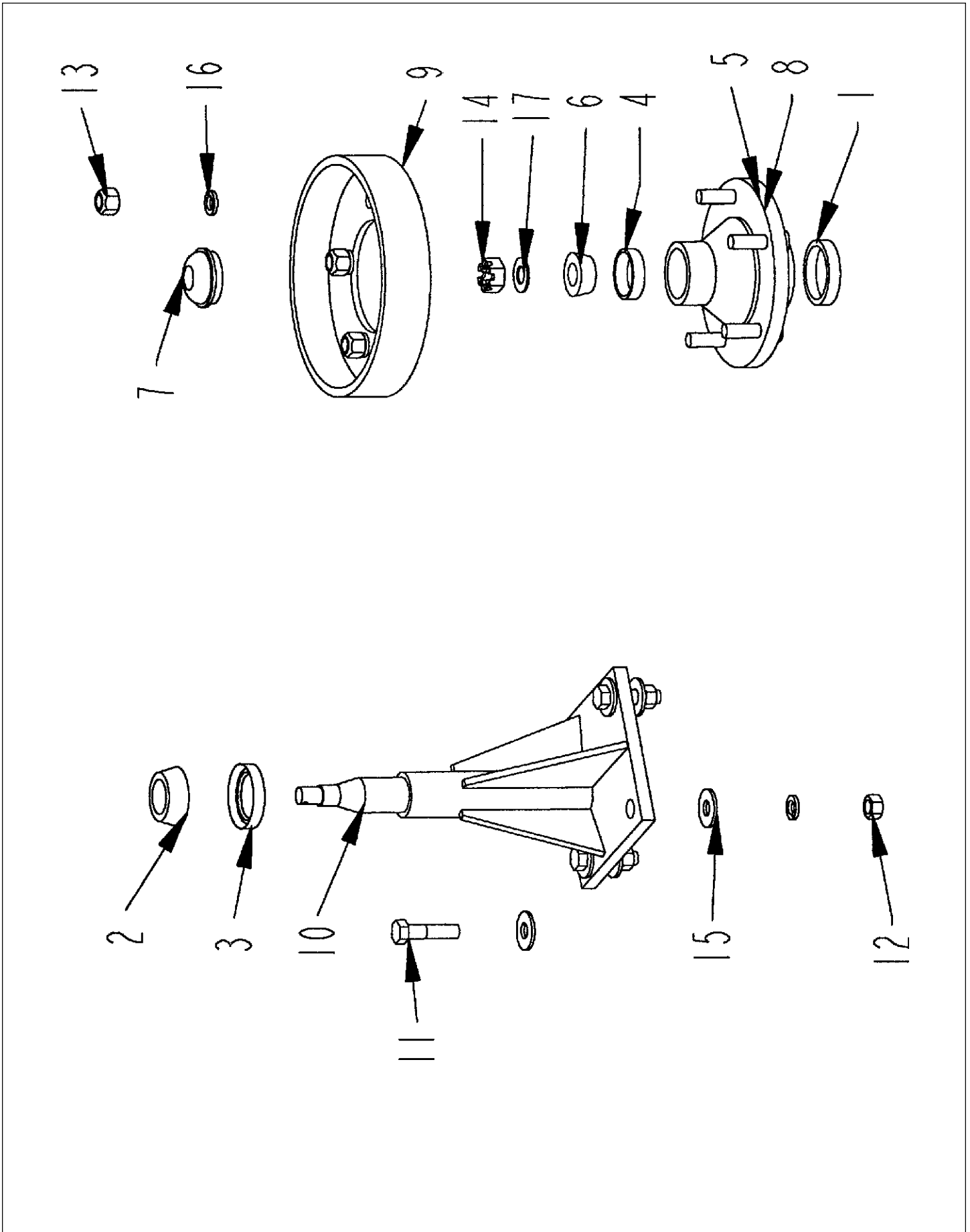
PLATFORM ASSEMBLY

ITEM	PART	QTY.	PART DESCRIPTION
1	4702084	1	PIN\HINGE\FRM\DRIVE\TUB
2	4702138	6	BRKT\SHLD\RLLR\TUB
3	4702359	option	PL\GYSR\RTR
3	4702360	1	PL\HOLDDOWN\SCREEN\HD8\24
4	4703371	1	PL\HOLDDOWN\SCREEN\HD8\26-1/2
5	4702409	1	FRM\PLTFRM\TILT\HD8
6	4702423	1	CVR\CRV\TUB
7	4702424	2	CVR\DRV\TUB\SIDE
8	4702426	2	SHLD\CHAIN\TUB\SIDE\HD8
9	4702427	2	SHLD\CHAIN\TUB\LH\FR\HD8
10	4702428	2	SHLD\CHAIN\TUB\RH\FR\HD8
11	4702429	1	SHLD\CHAIN\TUB\REAR\HD8
12	4702524	1	TUBE\PROP\SAFETY\PLTFRM
13	4702540	4	BRKT\LATCH\SHLD\RLLR\TUB\LH
14	4702541	4	LATCH\SHLD\RLLR\CMB
15	4702545	2	BRKT\SHLD\RLLR\TUB\FRNT
16	4702552	4	MNT\LATCH\SHLD\RLLR
17	4800003	32	BOLT\HEX\3/8X1
18	4800010	12	BOLT\HEX\5/8X2
19	4800021	1	BOLT\HEX\5/8X3
20	4800098	36	BOLT\HEX\3/8X1-1/4\NC
21	4800293	2	BOLT\HEX\3/8X7/8\NC
22	4900002	56	NUT\HEX\3/8\NC
23	4900005	1	NUT\HEX\5/8\NC
24	4900012	12	NUT\TPLCK\5/8\NC
25	4900023	16	NUT\TPLCK\3/8\NC
26	5000001	90	WASH\FLAT\3/8
27	5000019	52	WASH\LOCK\3/8
28	6100073	8	SPRING\EXT\.55W X 1/20.D. X 3
29	PRESRLLR1	4	PRESSURE ROLLER ASSEMBLY
30	TUBRLLR1	4	TUB ROLLER ASSEMBLY

Not Shown

4702549			GRATE\MILL\KIT\HD-8\V
4702687	1		GRATE\MILL\HD8\V
4800010	12		BOLT\HEX\5/8X2
4900012	12		NUT\TPLCK\5/8\NC
5000002	12		WASH\FLAT\5/8
4704218			CVR\RTR\HD8
4704219			CVR\RTR\ADJ\HD9

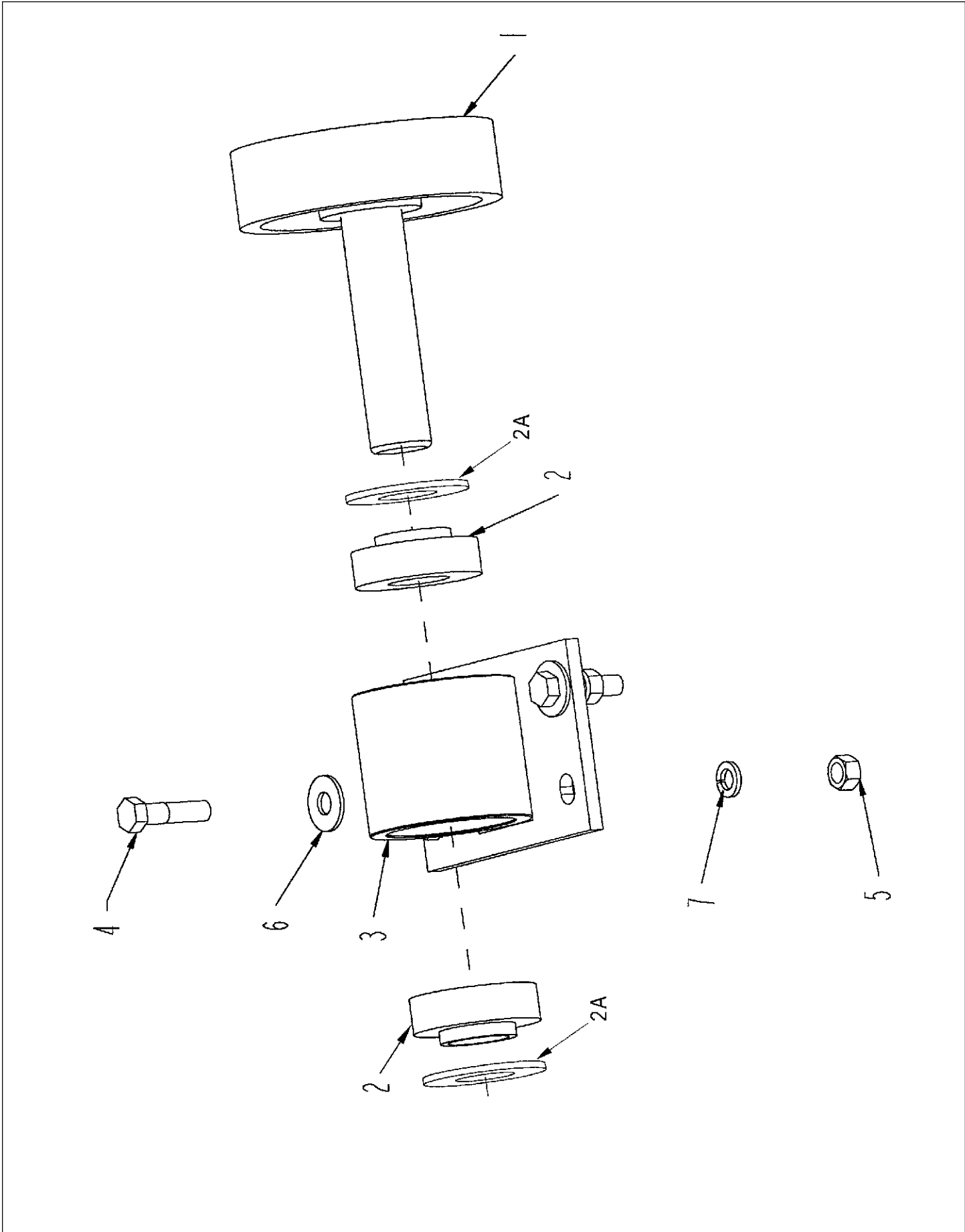
PRESSURE ROLLER ASSEMBLY



PRESSURE ROLLER ASSEMBLY

ITEM	PART	QTY.	PART DESCRIPTION
	4700886		PRESSURE ROLLER COMP. 11" includes items 1-10, 13,14,16 (5),17, and cotter key
1	2900004	1	CUP\INNER\WHEEL HUB
2	2900018	1	CONE\WHEELHUB
3	2900055	1	SEAL\WHEEL HUB
4	2900056	1	CUP\OUTER\WHEEL HUB
5	2900057	1	HUB\5-BOLT\985\COMPLETE includes items 1-8,13
6	2900061	1	CONE\OUTER\WHEEL HUB
7	2900064	1	CAPI\WHEEL HUB
8	2900138	1	HUB\WITH CONES\W/NUTS
9	4700115	1	PRESSURE DRUM
10	4700235	1	PRESSURE ROLLER STAND 11 SP
11	4800114	4	BOLT\HEX\1/2X2
12	4900001	4	NUT\HEX\1/2\NC
13	4900094	5	NUT\TAPER\WHEEL\1/2\NF
14	4900112	1	NUT\SLOT\5/8\NF
15	5000004	8	WASH\FLAT\1/2
16	5000006	9	WASH\LOCK\1/2
17	5000094	1	WASH\SPINDLE\5/8
	Not Shown		
	4800172	1	PIN\COTTER\1/8X2

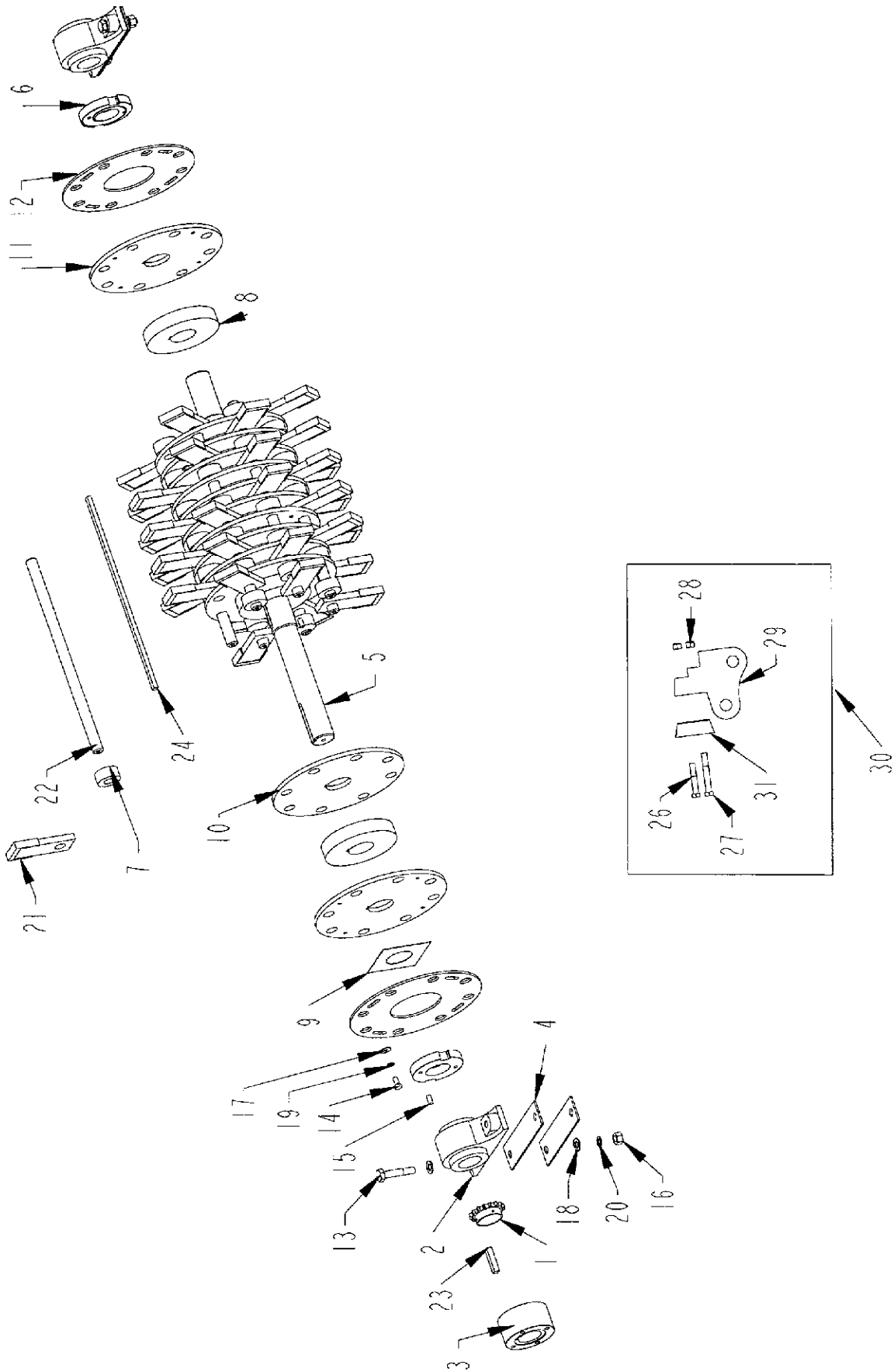
TUB ROLLER ASSEMBLY



TUB ROLLER ASSEMBLY

ITEM	PART	QTY.	PART DESCRIPTION
1	1200013	1	RLLR\TUB\1-1/2\W/O FLANGE
2	2000062	2	BRG\CYL\1-1/2\W/ECC
2A	2000803	2	COLLAR\LOCK\1-1/2
3	4702007	1	BRG\PB\RLLR\TUB\ASYW\BEARING INSERTS
4	4800114	4	BOLT\HEX\1/2X2
5	4900001	4	NUT\HEX\1/2\NC
6	5000004	4	WASH\FLAT\1/2
7	5000006	4	WASH\LOCK\1/2

ROTOR ASSEMBLY



ROTOR ASSEMBLY

ITEM	PART	QTY.	PART DESCRIPTION
1	1000139	1	SPKT\60\16\2-3/4" BORE
2	2000509	2	BRG\PB\2-3/4\E\DODGE
3	3600170	1	CPLR\DRVSHFT\2-3/4\1510
4	4700230	4	SHIM\BRNG\CYL
5	4700258	1	SHFT\RTR\3X47-1/4\HD8
6	4700267	2	NUT\RTR\3\W/O;SHOULDER
7	4700470	40	SPCR\SHOCK\1.29IDX1.25
8	4700648	12	SPCR\CAST\8.65X3X1.545
9	4700961	1	WASH\THRUST\RTR\3
10	4702290	11	PL\RTR\3X1\2X15-3/4\1-1/4ROD
11	4702291	2	PL\RTR\3X1\2X15-3/4\TPPD\1-1/4ROD
12	4702292	2	PL\RTR\MVBL\6IDX15-3/4\1-1/4ROD
13	4800063	4	BOLT\HEX\3\4X2-1/2
14	4800085	8	BOLT\HEX\1\2X1
15	4800323	4	SCR\SET\ALN\1\2X1\NC
16	4900004	4	NUT\HEX\3/4\NC
17	5000004	8	WASH\FLAT\1/2
18	5000005	8	WASH\FLAT\3/4
19	5000006	8	WASH\LOCK\1/2
20	5000012	4	WASH\LOCK\3/4
21	5200108	40	HMMR\SWING\3\4X3
21	5200109	option	HMMR\SWING\1X3\SUPREME
22	5300113	8	ROD\HMMR\1-1/4X25
23	6200028	1	KEY\SQ\5\8X3
24	6200036	1	KEY\REC\1\2X5\8X24-7\8
26	4800572	14	BOLT\HEX\5\8X3-1\2\NF\GR8
27	4800573	14	BOLT\HEX\5\8X4-1\2\NF\GR8
28	4900143	28	NUT\TPLCK\5\8\NF\GR8
29	5200105	14	HMMR\FIXED\BASE\1-1/4 HOLES
30	5200107	14	HMMR\FIXED\COMPLETE
31	5200174	14	HMMR\TIP\2-BOLT\KENNAMTL

4703011

RTR\NEW\25X1.25RD\HD8V

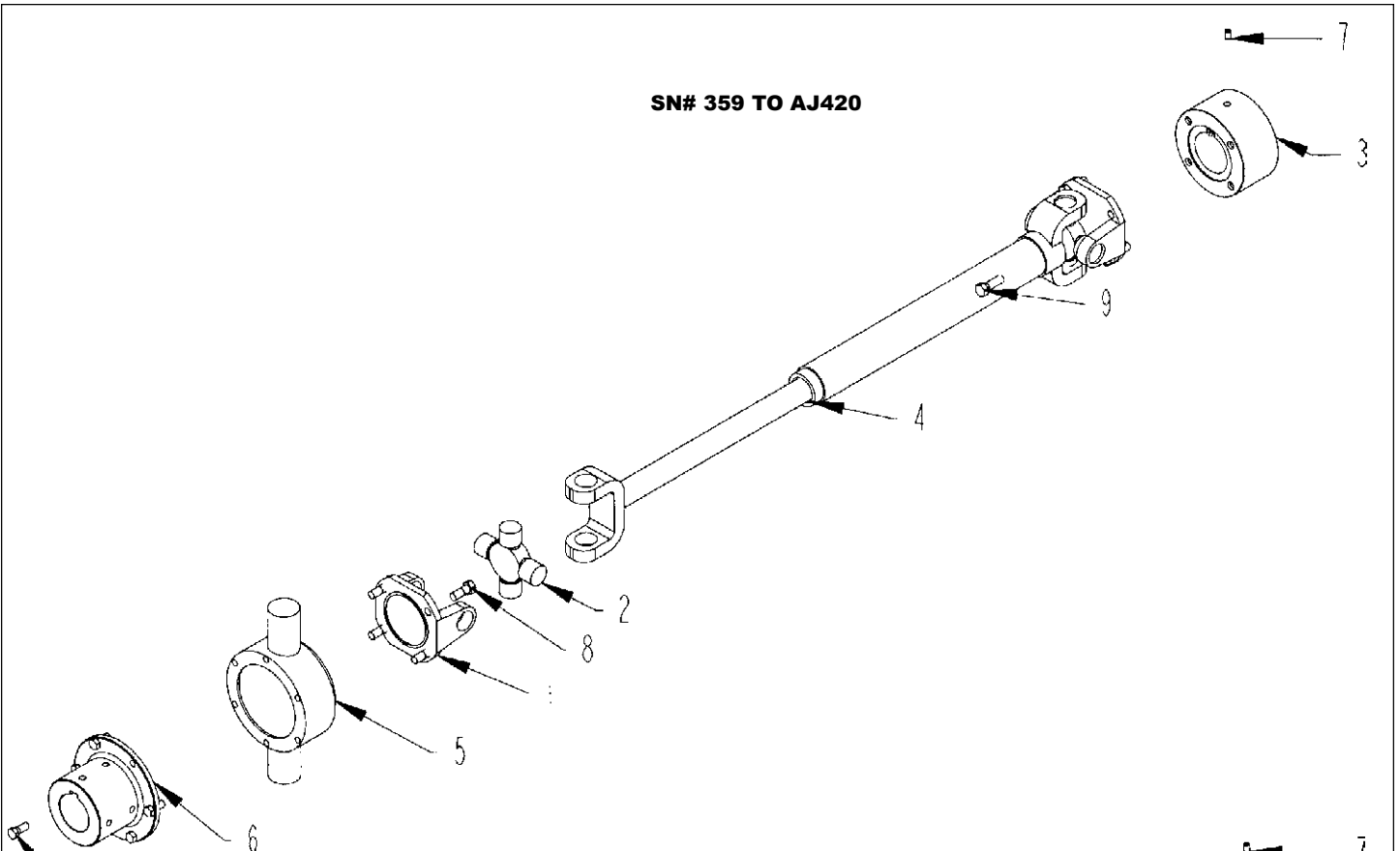
Note - does not include hammers, hammer rods, or bearings

SCREENS

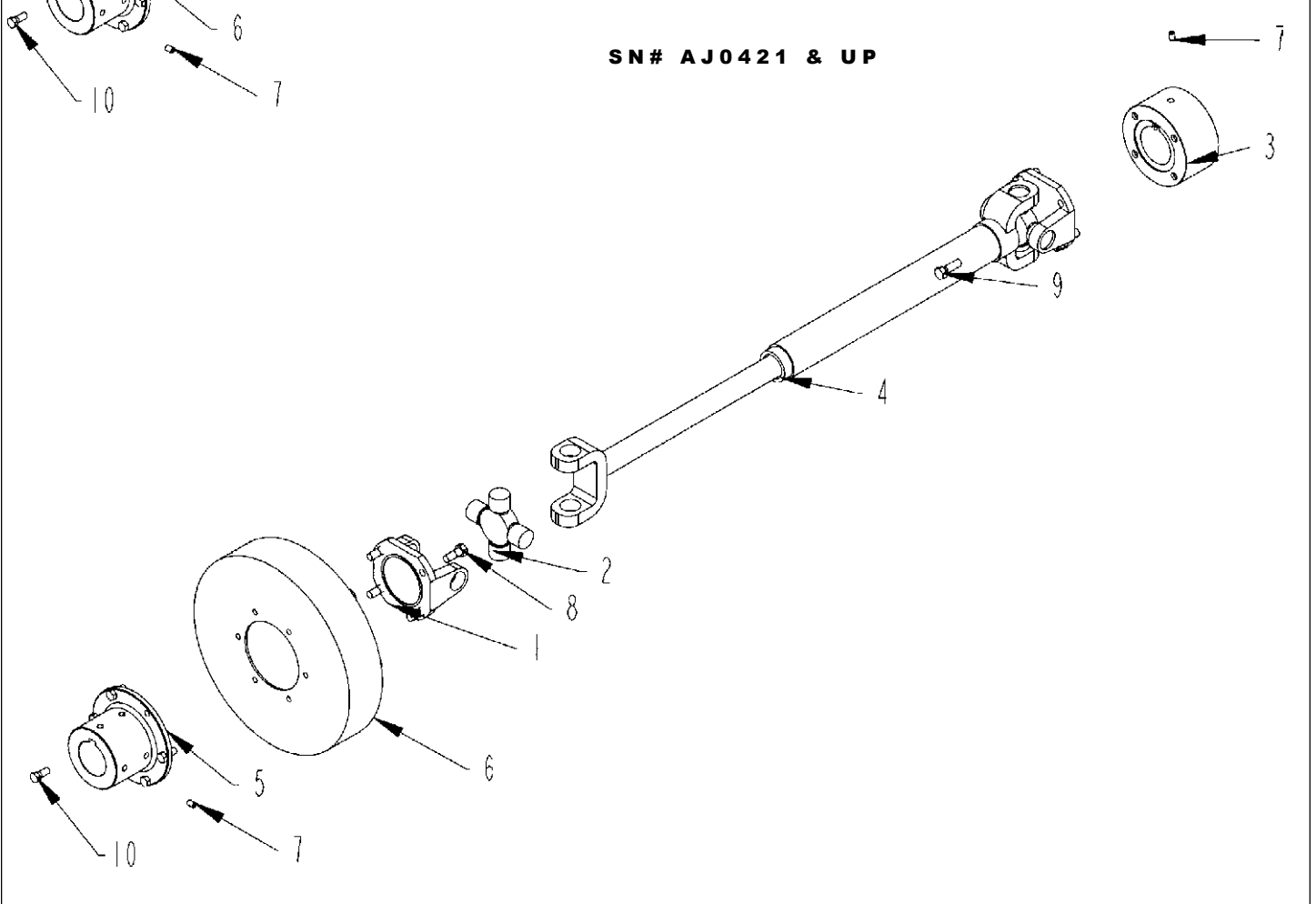
4700628	SCRN\5\8HL\1\2\MATL\HD-8
4700629	SCRN\3\4HL\1\2\MATL\HD-8
4702395	SCRN\1HL\1\2\HARDOX\HD8
4701508	SCRN\2HL\1\2\HARDOX\HD8
4701509	SCRN\3HL\1\2\HARDOX\HD8
4701510	SCRN\4HL\1\2\HARDOX\HD8
4702301	SCRN\5HL\1\2\HARDOX\HD8
4701511	SCRN\5X7\1\2\HARDOX\HD8
4700634	SCRN\OPEN\1\2\HD8

DRIVELINE ASSEMBLY

SN# 359 TO AJ420



SN# AJ0421 & UP



DRIVELINE ASSEMBLY

Serial Number II0359 to AJ0420

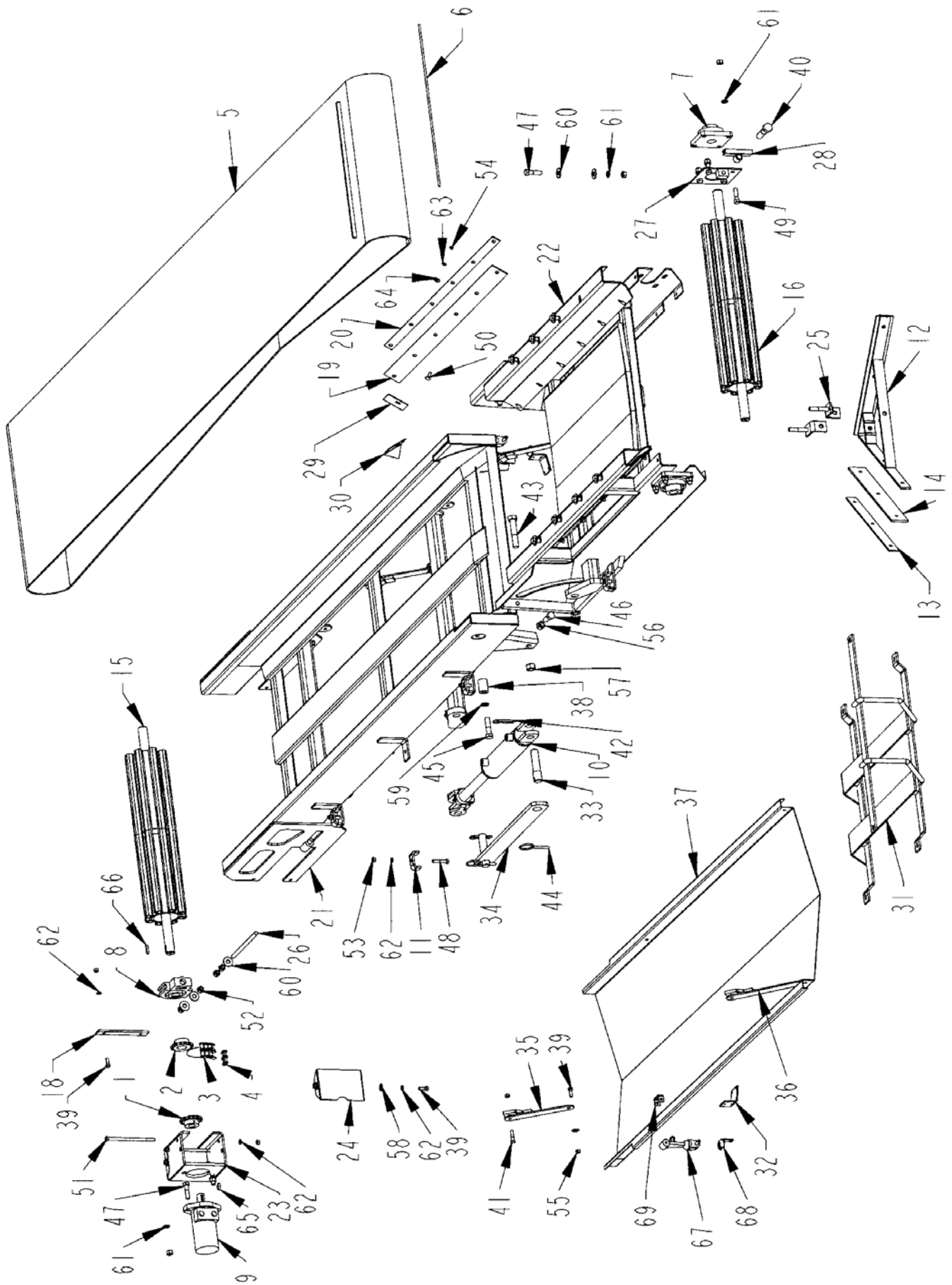
ITEM	PART	QTY.	PART DESCRIPTION
1	3600164	2	FLANGE YOKE 1550
2	3600167	2	JOURNAL AND BEARING KIT 1550
3	3600170	1	CPLR\DRVSHFT\2-3/4\1510
4	3600317	1	1550 DRIVELINE NAE 46-3/8
5	3600392	1	CLUTCH\TORQUE LIM\130HP
6	3600396	1	FLG\2-1/2IDX4L\BRUNEL\HD8
7	4800356	6	SCR\SET\ALN\3/8X1/2\NC
8	4800628	4	BOLT\HEX\1/2X1-1/4\GR8\NC
9	4800629	4	BOLT\HEX\1/2X1-1/2\GR8\NF
10	4800630	6	BOLT\HEX\7/16X1\GR8\NF

Serial Number AJ0421 and up

ITEM	PART	QTY.	PART DESCRIPTION
1	3600164	2	FLANGE YOKE 1550
2	3600167	2	JOURNAL AND BEARING KIT 1550
3	3600170	1	CPLR\DRVSHFT\2-3/4\1510
4	3600317	1	1550 DRIVELINE NAE 46-3/8
5	3600396	1	FLG\2-1/2IDX4L\BRUNEL\HD8
6	3600446	1	TORQUE LIMITOR\130HP
7	4800356	6	SCR\SET\ALN\3/8X1/2\NC
8		4	SCR\CAP\1/2X1\NF
8A		4	WASH\LOCK\EXT\STAR\1/2
9	4800629	4	BOLT\HEX\1/2X1-1/2\GR8\NF
10		6	SCR\CAP\7/16X1\NF
10A		6	WASH\LOCK\EXT\STAR\7/16

NOTE - 3600392 MAY BE REPLACED BY 3600446.

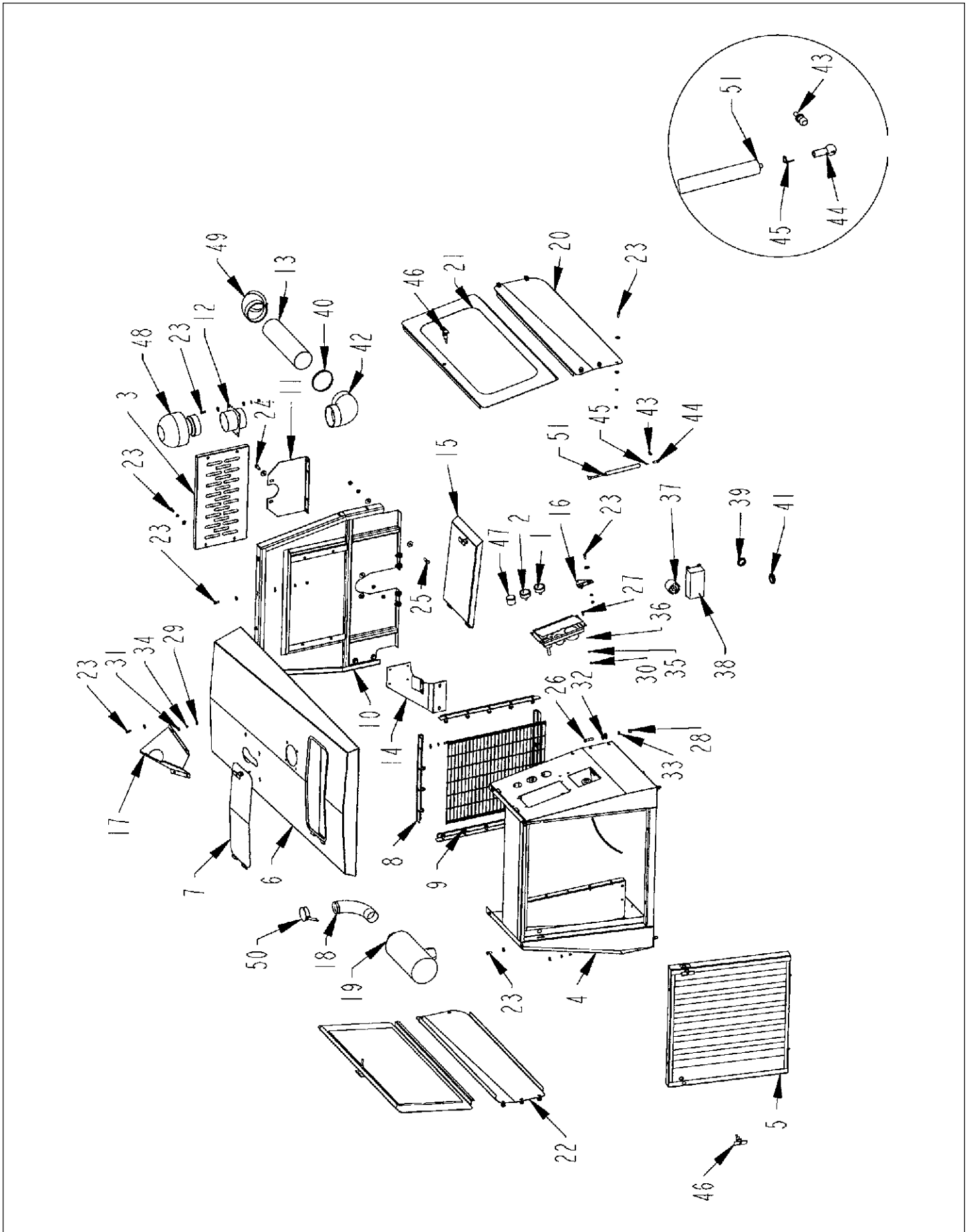
CONVEYOR ASSEMBLY



CONVEYOR ASSEMBLY

ITEM	PART	QTY.	PART DESCRIPTION
1	1000029	1	SPKT\50\B\14\1\1\4\KW
2	1000169	1	SPKT\50\B\14\1-1\4\1\4\KW
3	1100026	1	CHAIN\50\DBL\13
4	1100099	1	CHAIN\50\DBL\1CL
5	1700133	1	BELT\CNVYR\24X280\2PLY
6	1700142	1	LCNG\CBL\R-2\24
7	2000305	2	BRG\FLG\1-1\4\BOLT
8	2000321	2	BRG\TUU\1-1\2\W-ECC\BSEAL
9	3900025	1	MOTOR\HYD\17.9\HAMNT\7\8\FOR\1\SHFT
10	4100193HD8	1	CYL\HYD\2-1\2X8\WELDED\1-1\4
11	4700777	4	CLMP\HOSE\1\2
12	4702140	1	FRM\SCRPR\BELT\CNVYR\DISCH
13	4702192	2	FLT\DBL\SCRPR\CNVYR\DISCH
14	4702193	2	FLAT\SCRPR\PLASTIC\CNVYR\DISCH
15	4702294	1	RLLR\DRIVE\34X6\CNVYR\BELLY
16	4702295	1	RLLR\IDLER\34X6\CNVYR\BELLY
17	4702296	1	CNVYR\ASSY\HD8
18	4702357	2	STRAP\REINFR\C\GUIDE\BRG\CNVYR
19	4702401	2	STRIP\SEAL\CNVYR\LOWER
20	4702402	2	STRIP\MNT\SEAL\CNVYR\LOWER
21	4702437	1	FRM\CNVYR\UPPR
22	4702438	1	FRM\CNVYR\LOWER
23	4702446	1	BRKT\MTR\DRV\CNVYR
24	4702447	2	GUARD\SPKT\CPLG\DRV\CNVYR
25	4702473	2	SCRPR\BELT\CNVYR\DISCH
26	4702497	2	BOLT\ADJ\1\2\RLLR\DRV\CNVYR
27	4702526	1	BRKT\ADJ\TRCK\CNVYR\DISCH\1-1\4\BRG
28	4702537	1	HOOK\ROD\TGH\TNR\4\BELT\CNVYR\DISCH
29	4702538	1	SEAL\CNVYR\TRANSITION\LH
30	4702539	1	SEAL\CNVYR\TRANSITION\RH
31	4702609	1	SUP\BELT\CNVYR\HD8
32	4702630	2	BRKT\LATCH\CHUTE\AL\HD8
33	4702691	2	PIN\STEP\1X1-1\4X4-1\2
34	4702692	1	STRAP\LOCK\CYL\HYD\HD8
35	4702696	2	BRKT\10\CHUTE\RLLR\MAGNETIC
36	4702697	2	BRKT\12.19\CHUTE\RLLR\MAGNETIC
37	4702698	1	CHUTE\DISCH\RLLR\MAGNETIC\HD8V
38	4702703	2	BUSH\STOP\FOLD\CNVYR
39	4800003	12	BOLT\HEX\3\8X1
40	4800017	1	BOLT\HEX\3\4X3
41	4800034	4	BOLT\HEX\3\8X1-1\2
42	4800056	2	PIN\HAIR\3\16\#3
43	4800063	2	BOLT\HEX\3\4X4
44	4800076	2	PIN\KLIK\5\16
45	4800079	2	BOLT\HEX\5\8X2-1\2
46	4800106	4	BOLT\HEX\5\8X1-1\2
47	4800114	10	BOLT\HEX\1\2X2
48	4800146	4	BOLT\HEX\3\8X2
49	4800178	8	BOLT\HEX\1\2X1-3\4
50	4800473	12	BOLT\CRG\5\16X1\NC
51	4800580	2	BOLT\HEX\3\8X7
52	4900001	26	NUT\HEX\1\2\NC
53	4900002	10	NUT\HEX\3\8\NC
54	4900003	12	NUT\HEX\5\16\NC
55	4900023	8	NUT\TPLCK\3\8\NC
56	4900047	4	NUT\JAM\5\8\NC
57	4900139	2	NUT\TPLCK\3\4\GR8\NC
58	5000001	8	WASH\FLAT\3\8
59	5000003	2	WASH\LOCK\5\8
60	5000004	22	WASH\FLAT\1\2
61	5000006	18	WASH\LOCK\1\2
62	5000019	14	WASH\LOCK\3\8
63	5000022	12	WASH\LOCK\5\16
64	5000023	12	WASH\FLAT\5\16
65	6200011	1	KEY\WDF\1\4X1
66	6200014	1	KEY\SQ\1\4X1-1\4
67	7500166	2	LATCH\IRBBR\6
68	7500190	2	LATCH\IRBBR\CATCH\6
69	7500347	2	LATCH\IRBBR\MNT\6
NOT SHOWN			
	1700132		LCNG\RIVET\R-2
	1700143		LCNG\R-2\24
	1700129		LCNG\TOOL\R-2\SNGL
	1700137		LCNG\TOOL\R-2\41213\APP

SHROUDS



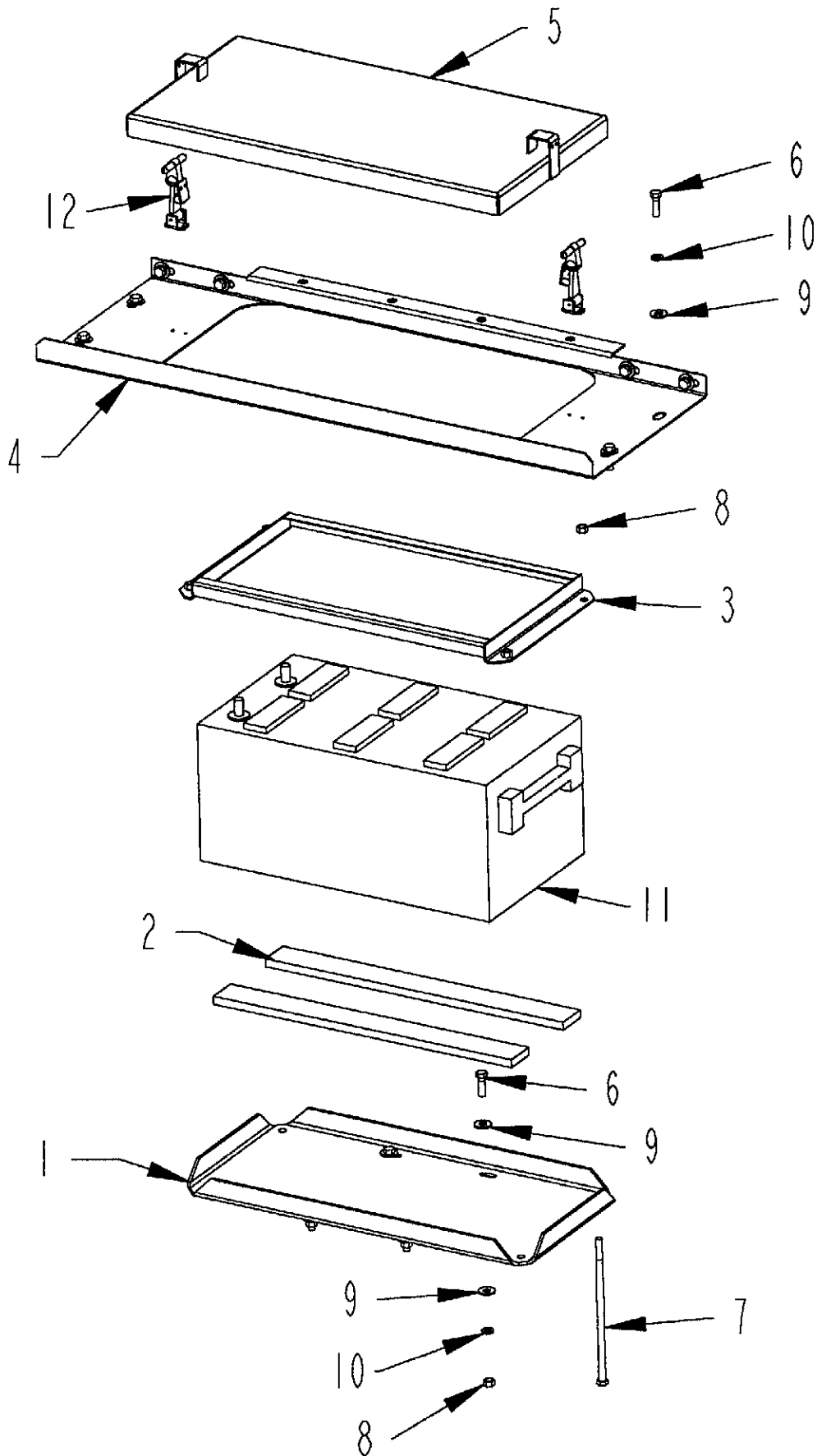
SHROUDS

ITEM	PART	QTY.	PART DESCRIPTION
1	3800381	1	GAUGE\3000PSI\REAR STEM
2	3800564	1	GAUGE\4000PSI\REAR;STEM
3	4702322	1	DOOR\ACCESS\CLUTCH
4	4702505	1	ENCL\RAD\ENG\HD-8
5	4702508	1	SCRN\GRILLE\RAD\HD8
6	4702509	1	COV\ENG\CUMMINS\130HP
7	4702510	1	CVR\RAD\CUMMINS\130HP
8	4702511	2	SEAL\RAD\HORIZ\HD8\99
9	4702512	2	SEAL\RAD\VERT\HD8\99
10	4702513	1	ENCL\SHROUD\REAR
11	4702518	1	SHIELD\LIMTORQ\BTTM
12	4702519	1	BRKT\PRECLNR\5\HD8
13	4702520	1	TUBE\INTK\PRECLNR\5X18
14	4702527	1	BRKT\CLNR\AIR\CUMMINS
15	4702535	1	CVR\PNL\CNTRL\ENG
16	4702536	1	BRKT\SPRNG\GAS\CVR\PNL
17	4702546	1	CVR\EXH\3\HD8
18	4702657	1	FTG\EXH\3\90D\ELL
19	4702658	1	MFFLR\CUMMINS\4BTA
20	4702675	1	COV\ENG\LH
21	4702676	2	DOOR\ENG
22	4702693	1	COV\ENG\RH
23	4800003	51	BOLT\HEX\3\8X1
24	4800018	6	BOLT\HEX\1\2X1-1/4
25	4800082	4	BOLT\HEX\1\2X1-1/2
26	4800114	4	BOLT\HEX\1\2X2
27	4800147	4	BOLT\HEX\5\16X7/8
28	4900001	14	NUT\HEX\1\2\NC
29	4900002	29	NUT\HEX\3\8\NC
30	4900003	4	NUT\HEX\5\16\NC
31	5000001	76	WASH\FLAT\3/8
32	5000004	28	WASH\FLAT\1/2
33	5000006	14	WASH\LOCK\1/2
34	5000019	50	WASH\LOCK\3/8
35	5000022	4	WASH\LOCK\5/16
36	5000023	4	WASH\FLAT\5/16
37	5700256	1	ALARM\ELEC\BACK-UP\
38	5700289	1	ENCL\BRKR\CRCT\7-POLE
39	7500199	1	GROMMET 1.5ID X.25 2775
40	7500302	4	CLAMP\HOSE\#88\5-1/2
41	7500360	1	GROMMET 1.5ID X.25 2775
42	7500660	1	FTG\RBBR\5\90DEG\ELL
43	7500664	2	BALL STUD
44	7500665	2	END FITTING\GAS SPRING
45	7500666	2	SAFETY CLIP
46	7500667	6	LATCH\COMP\DOOR\ACCESS\W\KEYS
47	7500668	1	GAUGE\FUEL\HD-10
48	7500739	1	CLNR\AIR\SY-CLONE\5
49	7500740	1	FTG\RBBR\5\45DEG\ELL
50	7500759	1	CAP\RAIN\3\ZINC\PL
51	7500680	1	SPRNG\GAS\250LB\9416K224

Not Shown
7500878

RAD\SCRN\MESH\4BTA3.9

BATTERY BOX



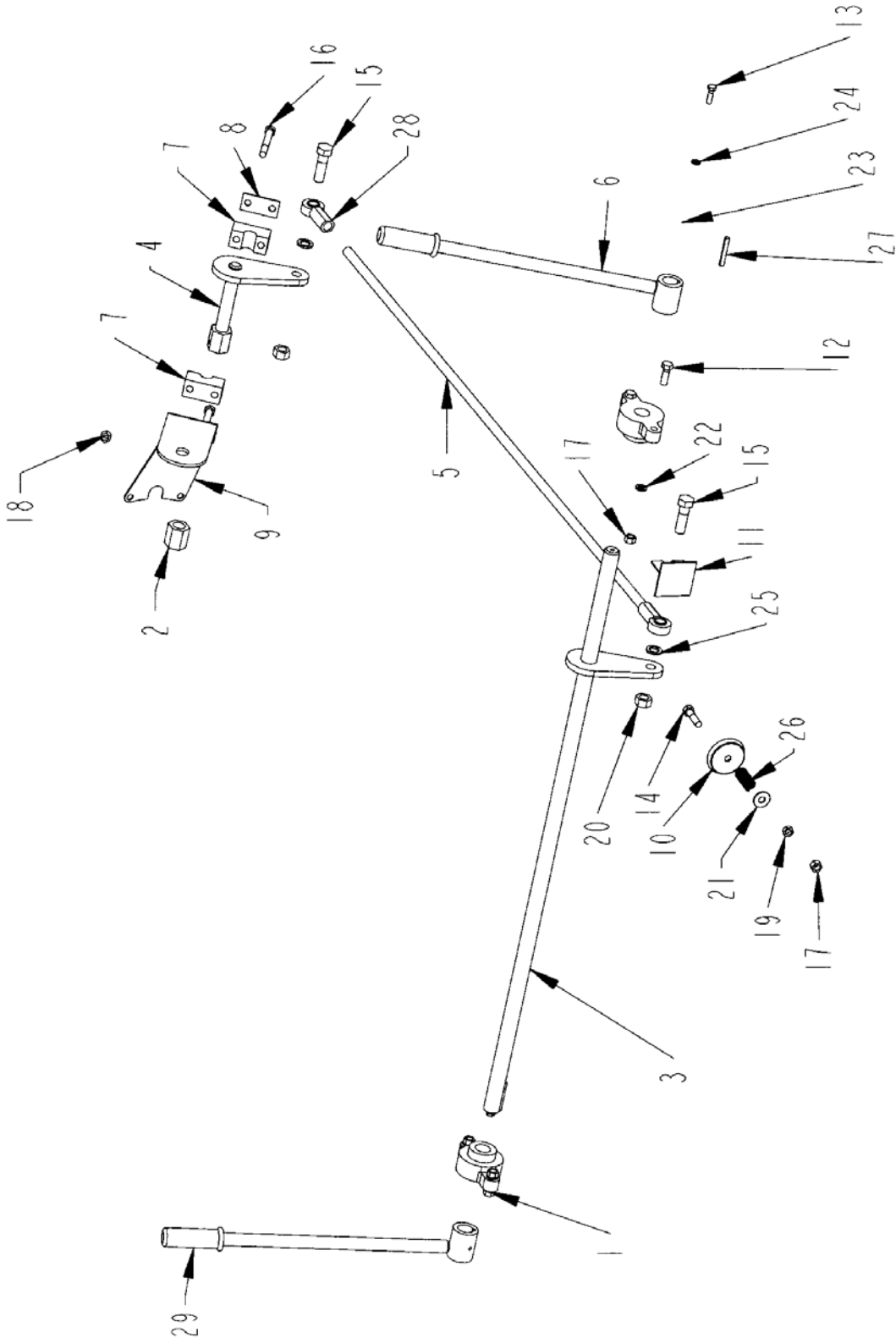
BATTERY BOX

ITEM	PART	QTY.	PART DESCRIPTION
1	4702442	1	ENCL\BASE\BOX\BATT
2	4702444	2	CUSH\RBBR\1\2X2X20
3	4702445	1	BRKT\BATT\19-3\8X11
4	4702506	1	ENCL\RAD\SH\BTM
5	4702507	1	CVR\ENCL\BATT
6	4800098	12	BOLT\HEX\3\8X1-1\4\NC
7	4800517	4	BOLT\HEX\3\8X9\NC
8	4900002	8	NUT\HEX\3\8\NC
9	5000001	16	WASH\FLAT\3\8
10	5000019	12	WASH\LOCK\3\8
11	5700002	1	BATT\12VDC
12	7500606	2	LATCH\35-M\AUSTIN

Not Shown

3700475	9 ft.	HOSE\COVER\7\8\FT
4703014	1	CBL\BATT\51\2\0\NEG\3\8\W\COVER
4703015	1	CBL\BATT\57\2\0\POS\3\8\W\COVER

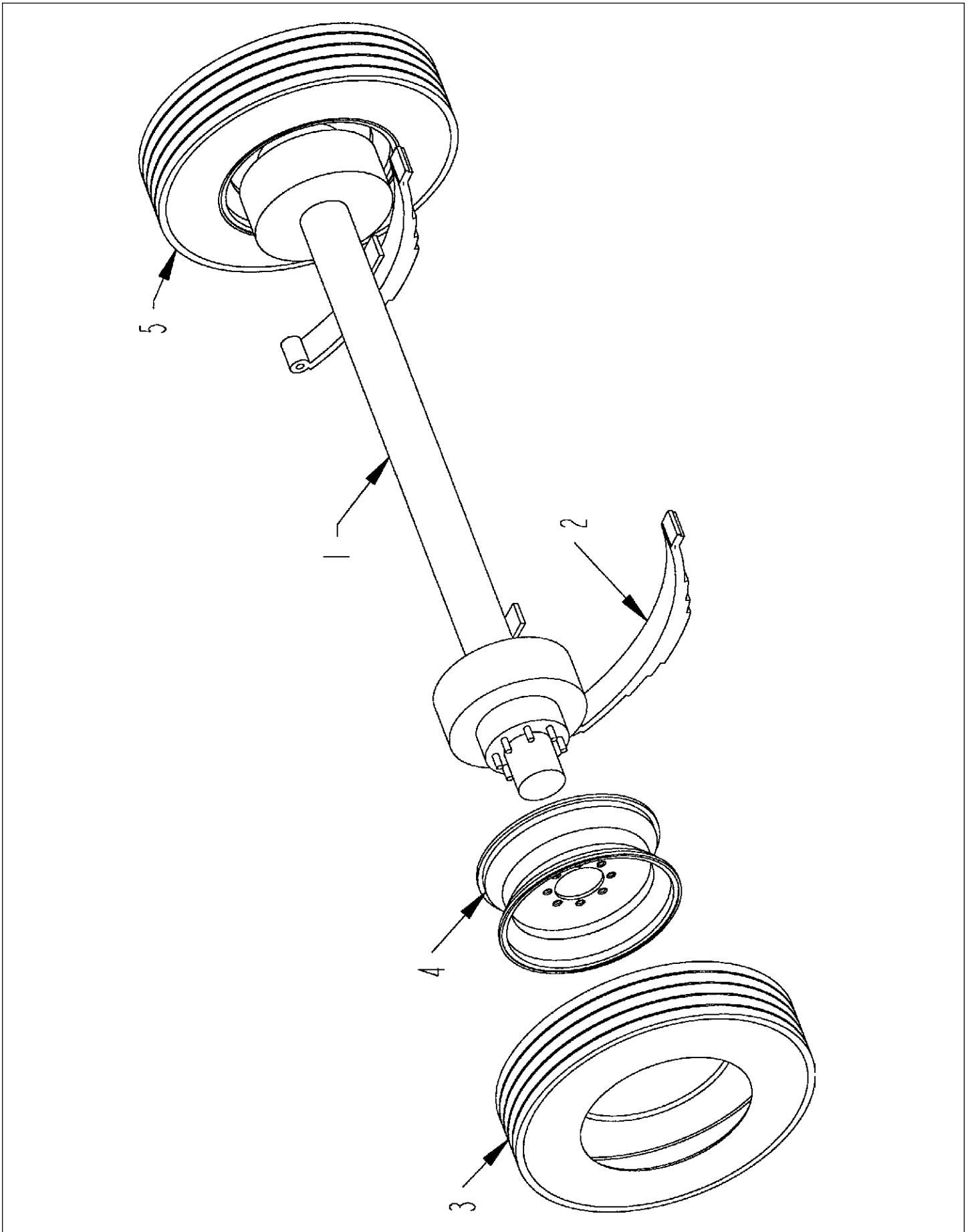
CLUTCH LINKAGE



CLUTCH LINKAGE

ITEM	PART	QTY.	PART DESCRIPTION
1	2000301	2	BRG\FLG\CAST\1-1/4\2BOLT
2	3600308	2	HUB\CLUTCH\LVR\SPLINE\>
3	4702448	1	SHAFT\CLUTCH\1-1/4X51
4	4702449	1	SHFT\CLUTCH\SP-211\REAR
5	4702450	1	ROD\ADJ\PUSH\CLUTCH\3/4X58-1/2
6	4702501	2	LEVER\CLUTCH\23-1/2\HD-8
7	4702502	2	BRG\UHMW\1\CLUTCH
8	4702503	1	STRAP\GSST\BRG\CLUTCH
9	4702528	1	BRKT\SPPT\SHAFT\OP\CLUTCH
10	4703052	1	MAGNET\3.2D\95#\17/32HOLE
11	4703053	1	LATCH\LVR\CLUTCH\MAG
12	4800082	4	BOLT\HEX\1/2X1-1/2
13	4800098	2	BOLT\HEX\3/8X1-1/4\NC
14	4800114	1	BOLT\HEX\1/2X2
15	4800115	2	BOLT\HEX\3/4X2-1/2
16	4800188	2	BOLT\HEX\1/2X4
17	4900001	5	NUT\HEX\1/2\NC
18	4900014	2	NUT\TPLCK\1/2\NC
19	4900046	1	NUT\JAM\1/2\NC
20	4900139	2	NUT\TPLCK\3/4\GR8\NC
21	5000004	1	WASH\FLAT\1/2
22	5000006	4	WASH\LOCK\1/2
23	5000017	2	WASH\FLAT\FNDR\.395X1-5/8X.090
24	5000019	2	WASH\LOCK\3/8
25	5000026	2	WASH\13/16IDX1-1/4ODX.138
26	6100016	1	SPRING\COMP\
27	6200060	2	KEY\SQ\5/16X2-1/2
28	7500710	2	ROD\END
29	7500736	2	GRIP\HAND\1X4-1/2\FLG

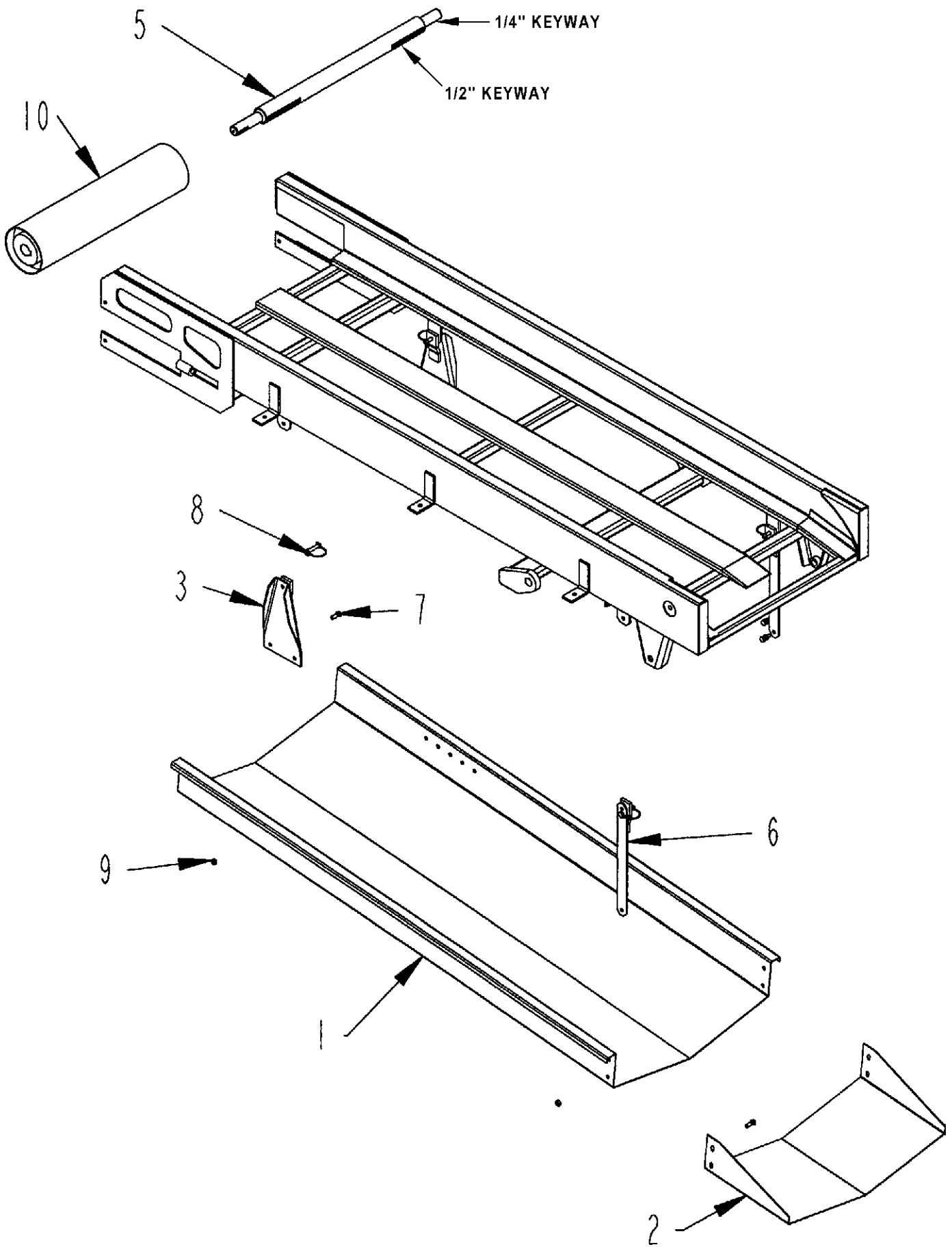
AXLE ASSEMBLY



AXLE ASSEMBLY

ITEM	PART	QTY.	PART DESCRIPTION
S.N. II0359 TO AJ0420			
1	2500453	1	AXLE\ELEC\10K\74X46\3\H11E
2	2500460	2	AXLE\SPR\LEAF\10K\72-43-1\5LEAF\3IN
3	2600031	2	TIRE\HWY\215\75RX17.5
4	2600637	2	WHL\17.5X6.75\HD8\SNGL
5	2600820	2	WHL\ASSY\215X75RX17.5\SNGL\8BOLT
 S.N. AJ0421 AND UP			
1	2500024		AXLE\COMP\15K\ELEC\74X46
2	2500911		SPRING\LEAF\7\15K
3	2600045		TIRE\HWY\265\70R19.5 J
4	2600643		WHL\10BOLT\19.5X7.5\SNGL\8-3\4BC\6000#
5	2600839		WHEEL\ASSY\265X70RX19.5\10 BOLT
 NOT SHOWN			
	4900155	8	NUT\WHL\3/4-16\RT\7\8BALL
	4900156	8	NUT\WHL\3/4-16\LT\7\8BALL

MAGNETIC ROLLER KIT



MAGNETIC ROLLER KIT

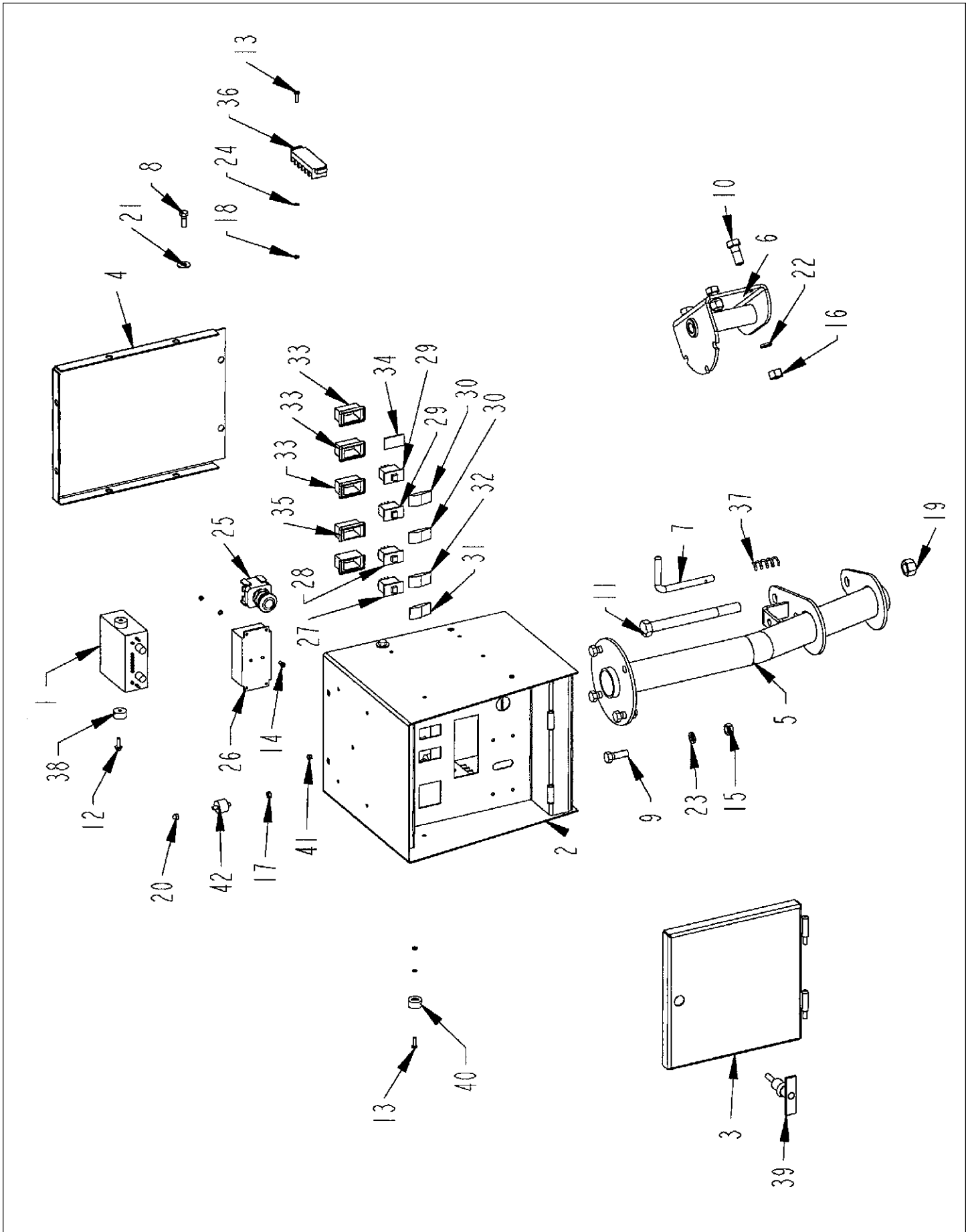
ITEM	PART	QTY.	PART DESCRIPTION
	4702551	1	RLLR\MAG\KIT\COMP\HD8-V For SN 360-380
1	4701526	1	CHUTE\DISCH\RLLR\MAGNETIC
2	4701532	1	XTNSN\CHUTE\DISCH\RLLR\MAGNETIC
3	4702039	2	BRKT\CHUTE\RLLR\MAGNETIC
5	4702553	1	SHFT\RLLR\MAG\6X24
6	4702667	2	BRKT\CHUTE\INSIDE\RLLR\MAGNETIC
7	4800003	8	BOLT\HEX\3/8X1
8	4800609	4	PIN\LYNCH\3/8X1-3/4\W/_U_WIRE;KEEPER
9	4900023	8	NUT\TPLCK\3/8\NC
10	7500760	1	RLLR\MAG\6X24
	6200020		KEY\SQ\3/8X2-1/4\HARDENED
	6200061		KEY\SQ\1/2X2-1/4
	4702626	1	RLLR\MAG\KIT\COMP:NO:PAN\HD8-V For SN 381 and up
5	4702553	1	SHFT\RLLR\MAG\6X24
10	7500760	1	RLLR\MAG\6X24
	6200020		KEY\SQ\3/8X2-1/4\HARDENED
	6200061		KEY\SQ\1/2X2-1/4

Note - see Conveyor Assembly page for Chute and Brackets

Not Shown

7500166	2	LATCH\RBBR\6
7500347	2	LATCH\RBBR\MNT\6
7500190	2	LATCH\RBBR\CATCH\6

5 SWITCH CONTROL PANEL ASSEMBLY



5 SWITCH CONTROL PANEL ASSEMBLY

ITEM	PART	QTY.	PART DESCRIPTION
1	4300034	1	CONTROL BOX
2	4702529	1	ENCL\PNL\CNTRL
3	4702530	1	CVR\PNL\CNTRL
4	4702531	1	CVR\BACK\PNL\CNTRL
5	4702532	1	BRKT\POST\MNT\PNL\CNTRL
6	4702533	1	BRKT\PIVOT\PNL\CNTRL
7	4702534	1	PIN\LOCK\PNL\CNTRL
8	4800003	8	BOLT\HEX\3\8X1
9	4800082	4	BOLT\HEX\1\2X1-1\2
10	4800106	4	BOLT\HEX\5\8X1-1\2
11	4800232	1	BOLT\HEX\3\4X8
12	4800301	2	SCR\FLNG\SERR\1\4X3\4
13	4800495	6	SCR\RD\SLOT\#10-24X3\4
14	4800574	4	SCR\RD\SLOT\#10-24X1\2
15	4900001	4	NUT\HEX\1\2\NC
16	4900005	4	NUT\HEX\5\8\NC
17	4900009	4	NUT\HEX\1\4\NC
18	4900072	10	NUT\HEX\#10\NC
19	4900139	1	NUT\TPLCK\3\4\GR8\NC
20	4900150	4	NUT\ACORN\1\4\NC\PLATED
21	5000001	8	WASH\FLAT\3\8
22	5000003	4	WASH\LOCK\5\8
23	5000006	4	WASH\LOCK\1\2
24	5000071	10	WASH\LOCK;STAR\#10
25	5700028	1	SWITCH\MAINT\PB\RED\MUSH
26	5700230	1	BOX\CNTRL\SAFETY SHUTDOWN
27	5700321	1	SWITCH\RCKR\DPST\20A\12V\1 LIGHT
28	5700322	1	SWITCH\RCKR\DPDT\20A\12V\2 LIGHT
29	5700323	2	SWITCH\RCKR\DPDT\20A\MOMENTARY
30	5700324	2	SWITCH\RCKR\ACTR\BLK
31	5700325	1	SWITCH\RCKR\ACTR\BLK\1RED\LIGHT
32	5700326	1	SWITCH\RCKR\ACTR\BLK\2RED\LIGHTS
33	5700328	3	SWITCH\RCKR\MNT\PNL\SNGL
34	5700329	1	SWITCH\RCKR\PLUG
35	5700333	2	SWITCH\RCKR\MNT\PNL\MTPL
36	5700357	2	TERM\BLOCK\6\30A\600V
37	6100002	1	SPRING\COMP\0.072W\11\16OD\2-1\8LONG
38	7500124	2	GROMMET\1-1\4ODX\17\32ID
39	7500667	1	LATCH\COMP\DOOR\ACCESSW\KEYS
40	7500756	2	BMPR\RBBR\1-1\32X5\8
41	7500758	1	PLUG\FINISH\5\16\BLACK\NYLON
42	7501039	4	CUSH\RBBR\1ODX\3\4\1\4NC

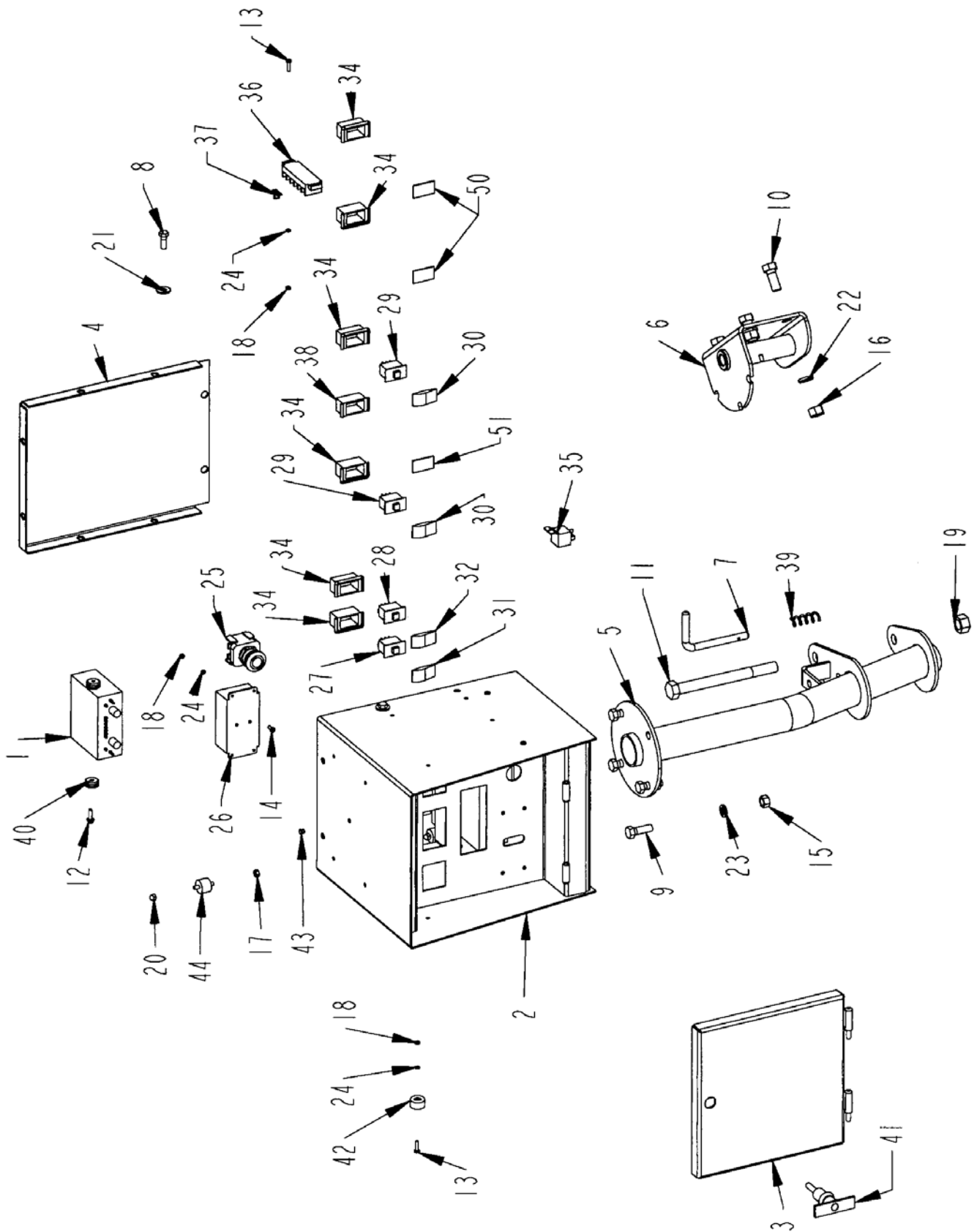
WITH RADIO REMOTE OPTION

34	5700322	1	SWITCH\RCKR\DPDT\20A\12V\2 LIGHT
34A	5700326	1	SWITCH\RCKR\ACTR\BLK\2RED\LIGHTS

NOT SHOWN

5700351		2	RELAY\SPDT\12VDC\40AMP
---------	--	---	------------------------

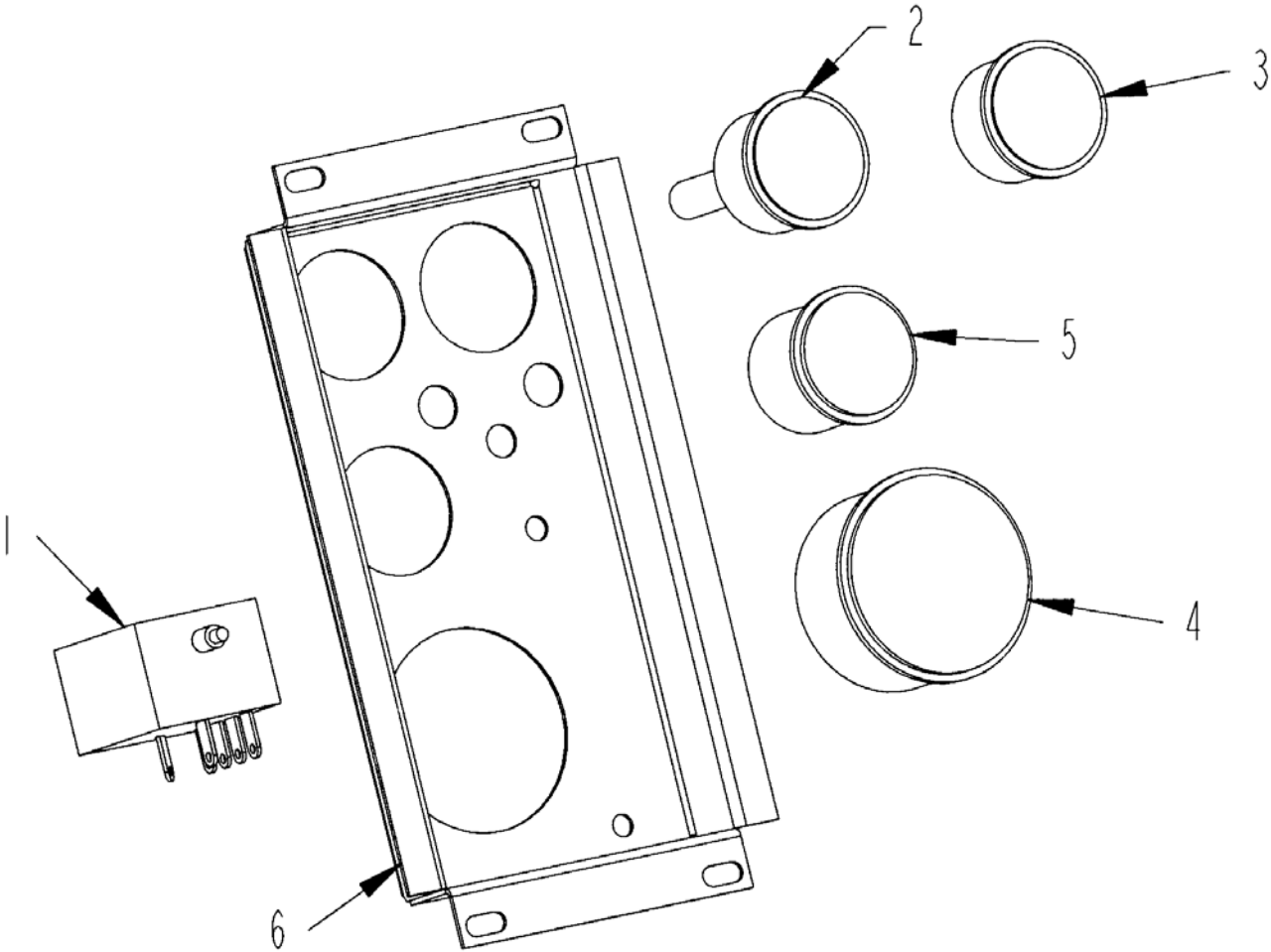
7 SWITCH CONTROL PANEL



7 SWITCH CONTROL PANEL

ITEM	PART	QTY.	PART DESCRIPTION
1	4300034	1	CONTROL BOX
2	4702529	1	ENCL\PNL\CNTRL
3	4702530	1	CVR\PNL\CNTRL
4	4702531	1	CVR\BACK\PNL\CNTRL
5	4702532	1	BRKT\POST\MNT\PNL\CNTRL
6	4702533	1	BRKT\PIVOT\PNL\CNTRL
7	4702534	1	PIN\LOCK\PNL\CNTRL
8	4800003	8	BOLT\HEX\3/8X1
9	4800082	4	BOLT\HEX\1/2X1-1/2
10	4800106	4	BOLT\HEX\5/8X1-1/2
11	4800232	1	BOLT\HEX\3/4X8
12	4800301	2	SCR\FLNG\SERR\1/4X3/4
13	4800495	6	SCR\RD\SLOT\#10-24X3/4
14	4800574	6	SCR\RD\SLOT\#10-24X1/2
15	4900001	4	NUT\HEX\1/2\NC
16	4900005	4	NUT\HEX\5/8\NC
17	4900009	4	NUT\HEX\1/4\NC
18	4900072	12	NUT\HEX\#10\NC
19	4900139	1	NUT\TPLCK\3/4\GR8\NC
20	4900150	4	NUT\ACORN\1/4\NC\PLATED
21	5000001	8	WASH\FLAT\3/8
22	5000003	4	WASH\LOCK\5/8
23	5000006	4	WASH\LOCK\1/2
24	5000071	10	WASH\LOCK;STAR\#10
25	5700028	1	SWITCH\MAINT\PB\RED\MUSH
26	5700230	1	BOX\CNTRL\SAFETY SHUTDOWN
27	5700321	1	SWITCH\RCKR\DPST\20A\12V\1LIGHT
28	5700322	1	SWITCH\RCKR\DPDT\20A\12V\2LIGHT
29	5700323	2	SWITCH\RCKR\DPDT\20A\MOMENTARY
30	5700324	2	SWITCH\RCKR\ACTR\BLK
31	5700325	1	SWITCH\RCKR\ACTR\BLK\RED\LIGHT
32	5700326	1	SWITCH\RCKR\ACTR\BLK\2RED\LIGHTS
34	5700333	6	SWITCH\RCKR\MNT\PNL\END
35	5700351	0	RELAY\SPDT\12VDC\40AMP
36	5700357	2	TERMBLOCK\6\30A\600V
37	5700358	3	TERMINAL JUMPER STRIP
38	5700448	1	SWITCH\RCKR\MNT\PNL\MDDL
39	6100002	1	SPRING\COMP\.072W\11/16OD\2-1/8LONG
40	7500124	2	GROMMET\RUBBER\1_ODX9/32_ID
41	7500667	1	LATCH\COMP\DOOR\ACCESS\W\KEYS
42	7500756	2	BMPR\RBBR\1-1/32X5/8
43	7500758	1	PLUG\FINISH\5/16\BLACK\NYLON
44	7501039	4	CUSH\RBBR\1ODX3/4\1/4NC
50,51	5700329	3	SWITCH\RCKR\PLUG
Radio Option			
35	5700351	2	RELAY\SPDT\12VDC\40AMP
50	5700329	2	SWITCH\RCKR\PLUG
51a	5700322	1	SWITCH\RCKR\DPDT\20A\12V\2LIGHT
51b	5700326	1	SWITCH\RCKR\ACTR\BLK\2RED\LIGHTS
Tub Cover Option			
35	5700351	0	RELAY\SPDT\12VDC\40AMP
50a	5700323	2	SWITCH\RCKR\DPDT\20A\MOMENTARY
50b	5700324	2	SWITCH\RCKR\ACTR\BLK
51	5700329	2	SWITCH\RCKR\PLUG
Radio and Tub Cover Option			
35	5700351	6	RELAY\SPDT\12VDC\40AMP
50a	5700323	2	SWITCH\RCKR\DPDT\20A\MOMENTARY
50b	5700324	2	SWITCH\RCKR\ACTR\BLK
51a	5700322	1	SWITCH\RCKR\DPDT\20A\12V\2LIGHT
51b	5700326	1	SWITCH\RCKR\ACTR\BLK\2RED\LIGHTS

CUMMINS PANEL



CUMMINS PANEL

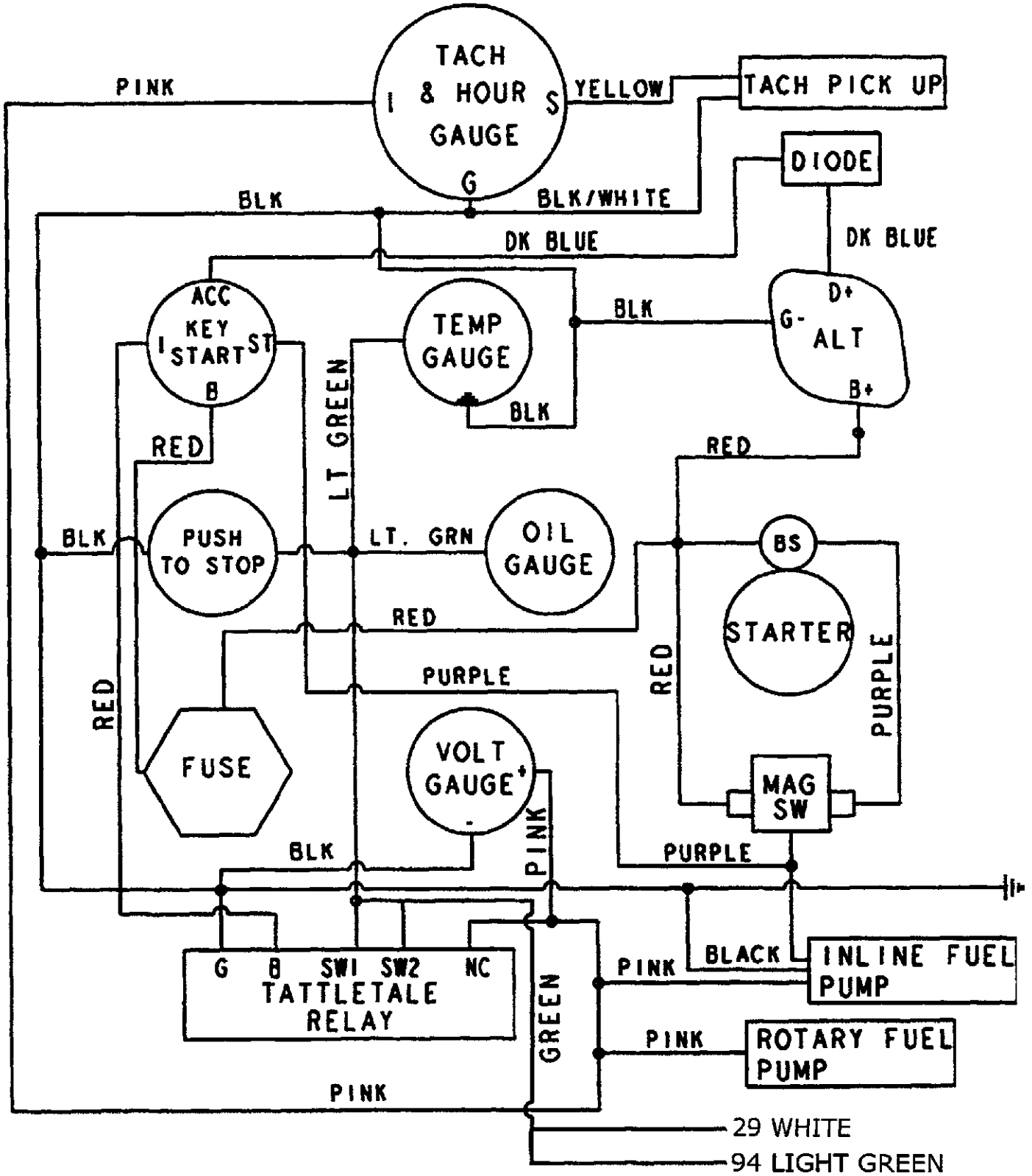
ITEM	PART	QTY.	PART DESCRIPTION
1	5700425	1	SWITCH\ELEC\MAGNETIC\TAT\12V
2	5700436	1	GAUGE\PRESS\OIL\CUMMINS
3	5700490	1	GAUGE\TEMP\MECH\SW\CUMMIN
4		1	GAUGE\TACH\CUMM
5		1	GAUGE\VOLT
6		1	CUMMINS PANEL

Not Shown

5700255	SWITCH\IGN\MRPH
7500831	THROTTLE\CBL\CUM\130HP
7500901	THRTTL\ACTTR\CUM\4BTA3.9
7500902	THRTTL\BOLT\4BTA3.9
7500903	THRTTL\LCKWSHR\4BTA3.9
7500904	THRTTL\CTTRPIN\4BTA3.9
7500905	THRTTL\CBL\END\CUM\

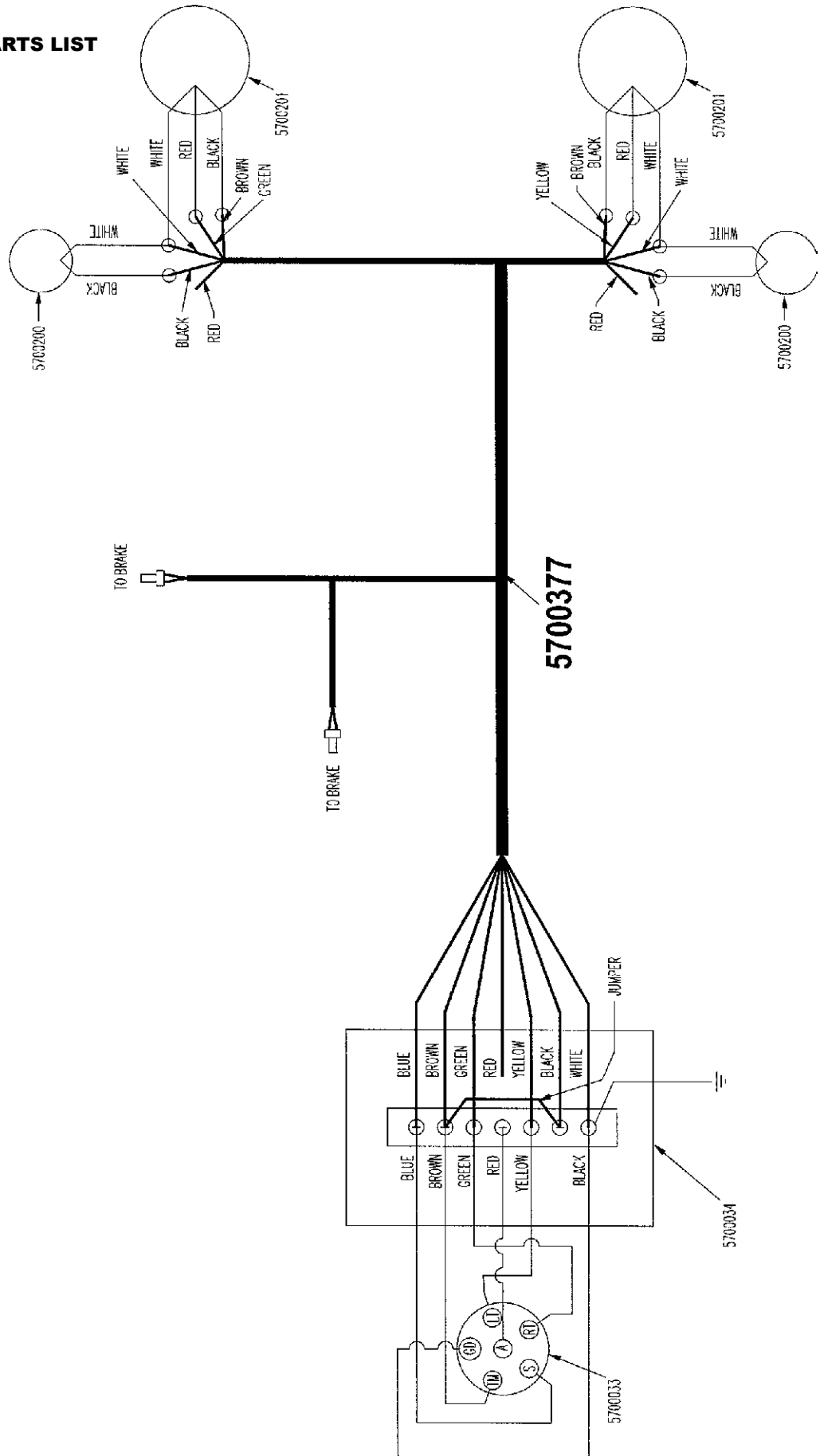
SEE PAGE 50 FOR PARTS LIST

WIRING SCHEMATIC
KEY SWITCH - POWER DRIVE



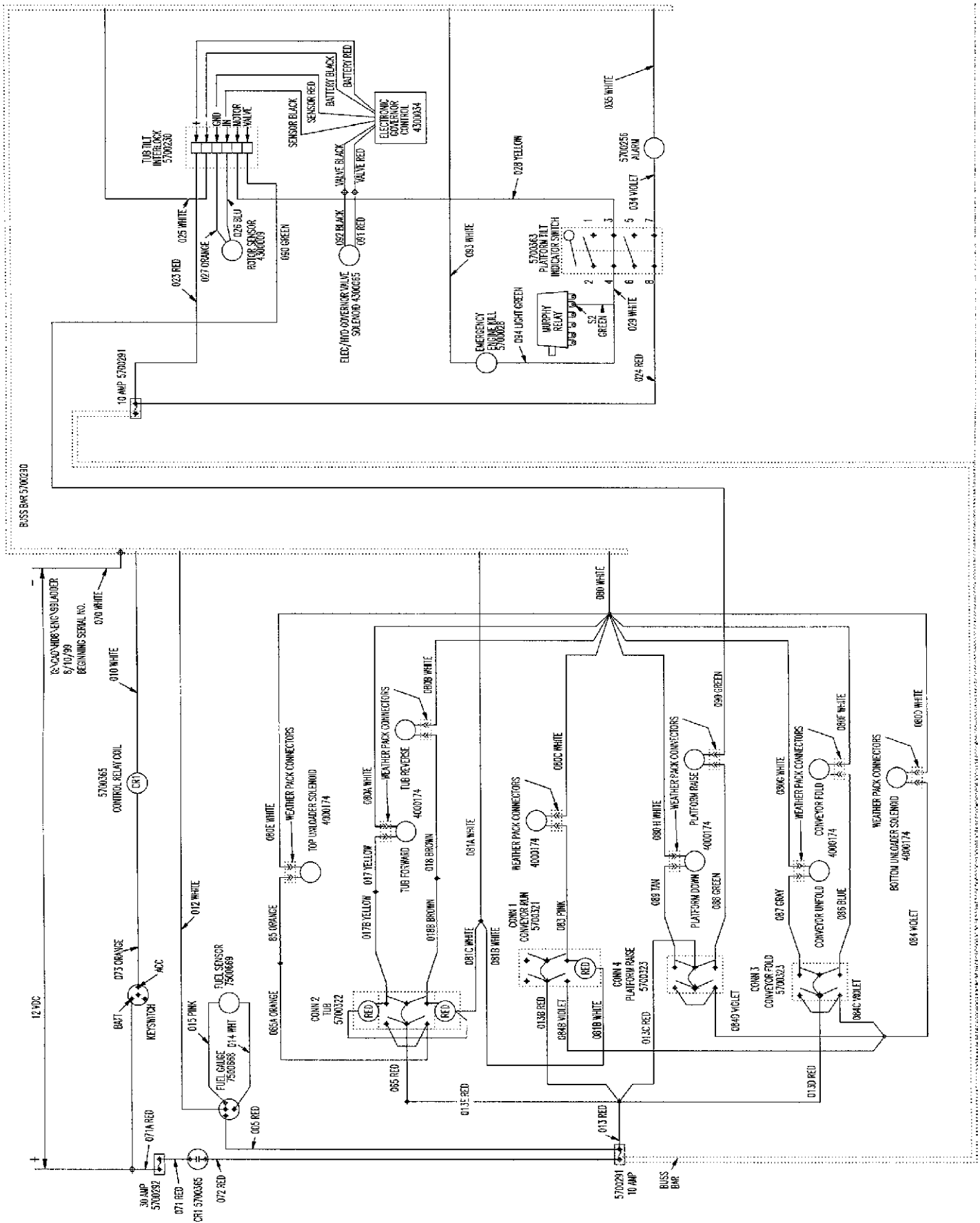
ROAD LIGHTS SCHEMATIC

SEE PAGE 50 FOR PARTS LIST



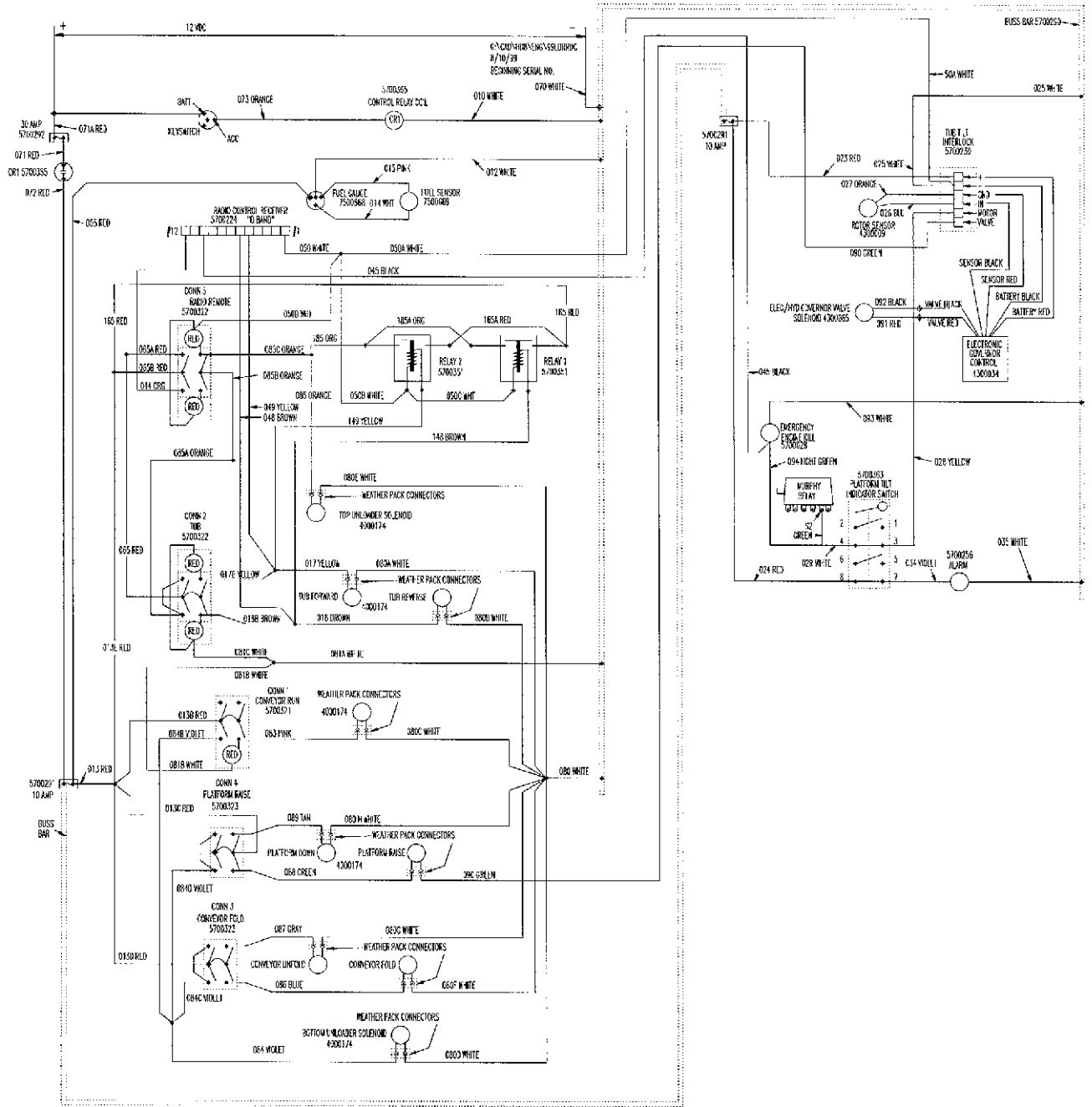
STANDARD ELECTRICAL SCHEMATIC

SEE PAGE 50 FOR PARTS LIST



ELECTRICAL SCHEMATIC WITH REMOTE RADIO

SEE PAGE 50 FOR PARTS LIST



ELECTRICAL SCHEMATIC WITH TUB COVER OPTION

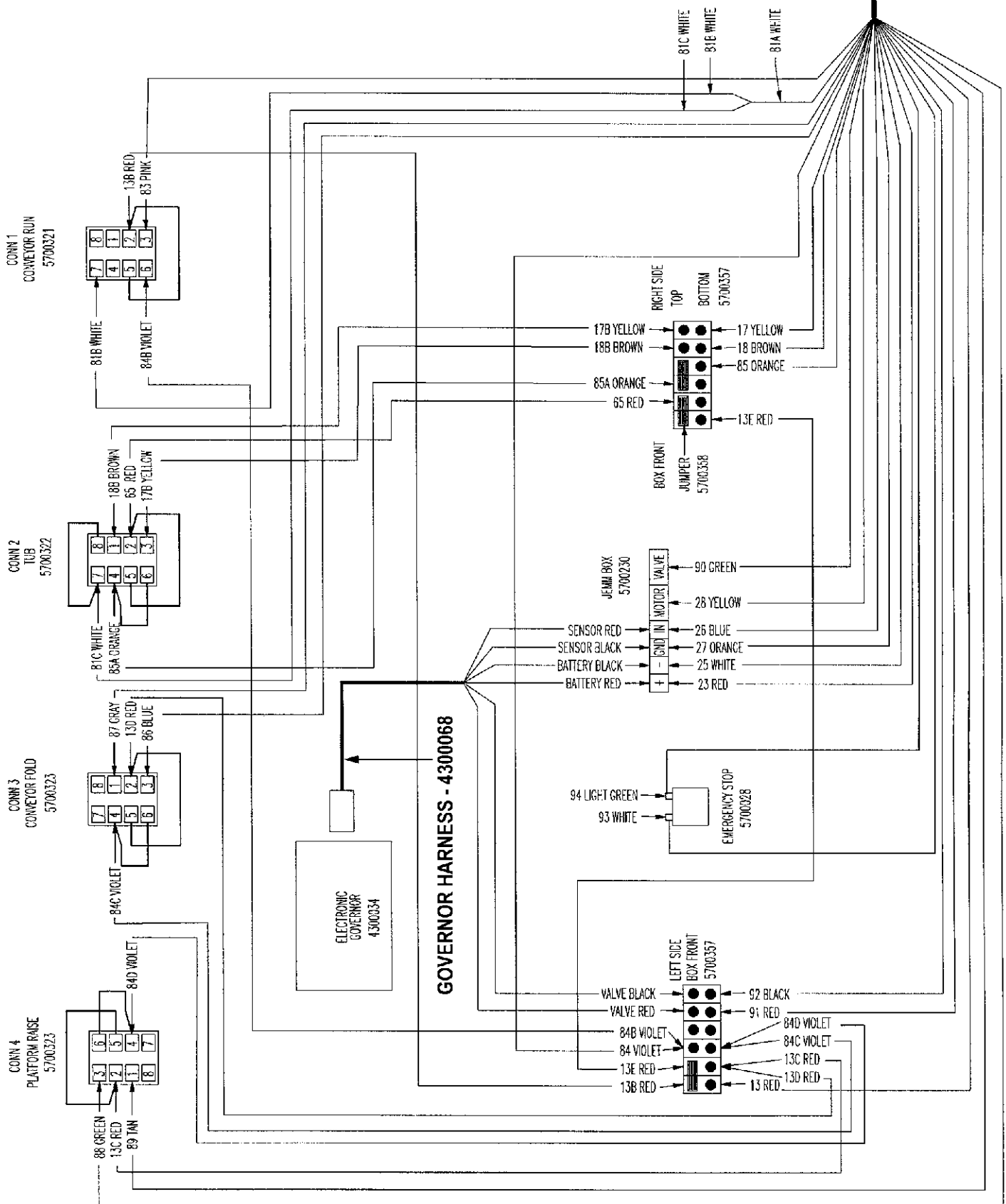
SEE PAGE 50 FOR PARTS LIST

**SEE ELECTRICAL SCHEMATIC WITH TUB COVER OPTION FOLDOUT IN APPENDIX A AT THE
BACK OF THE BOOK**

MAIN WIRING HARNESS- CONTROL PANEL DETAIL

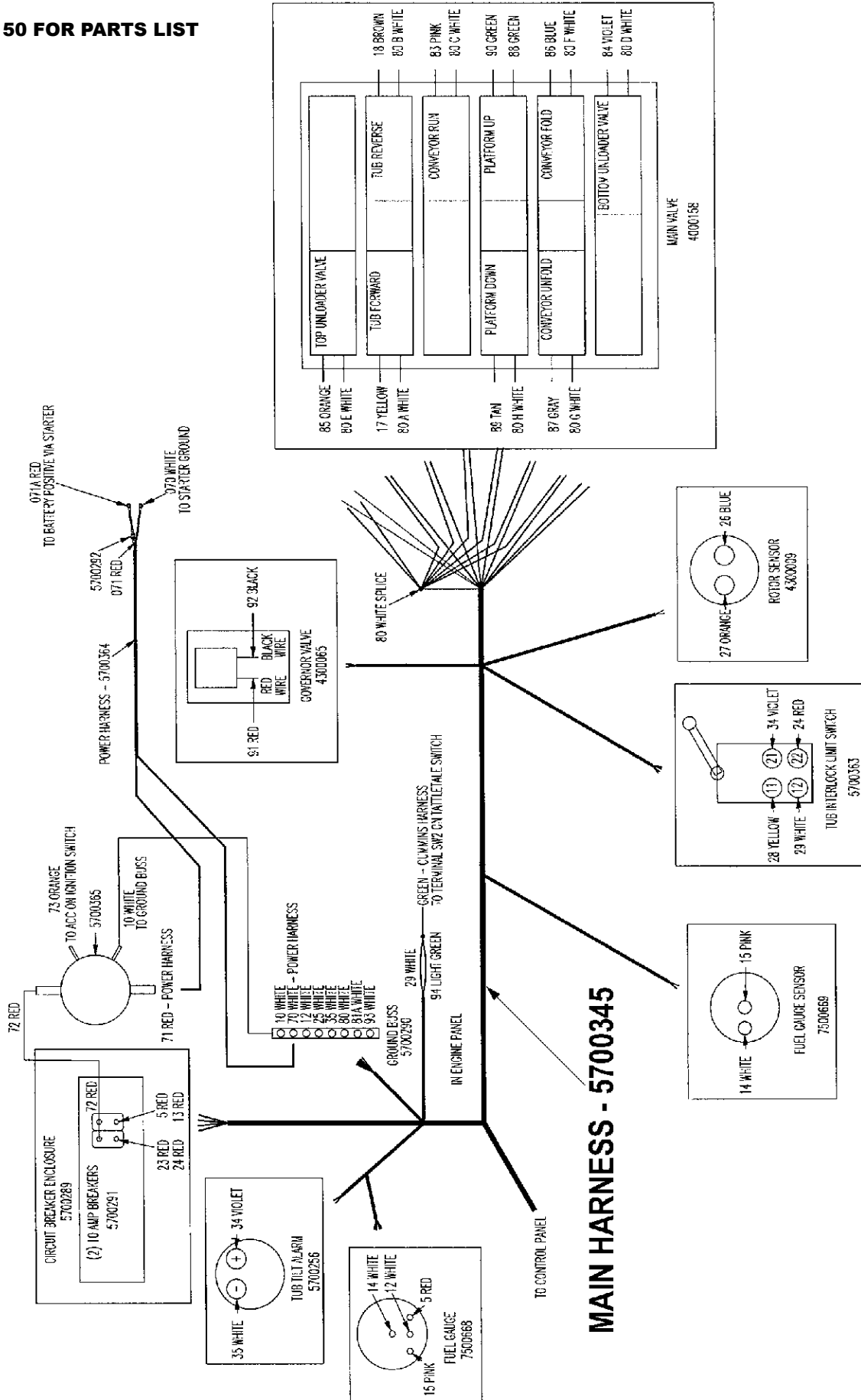
SEE PAGE 50 FOR PARTS LIST

MAIN HARNESS - 5700345



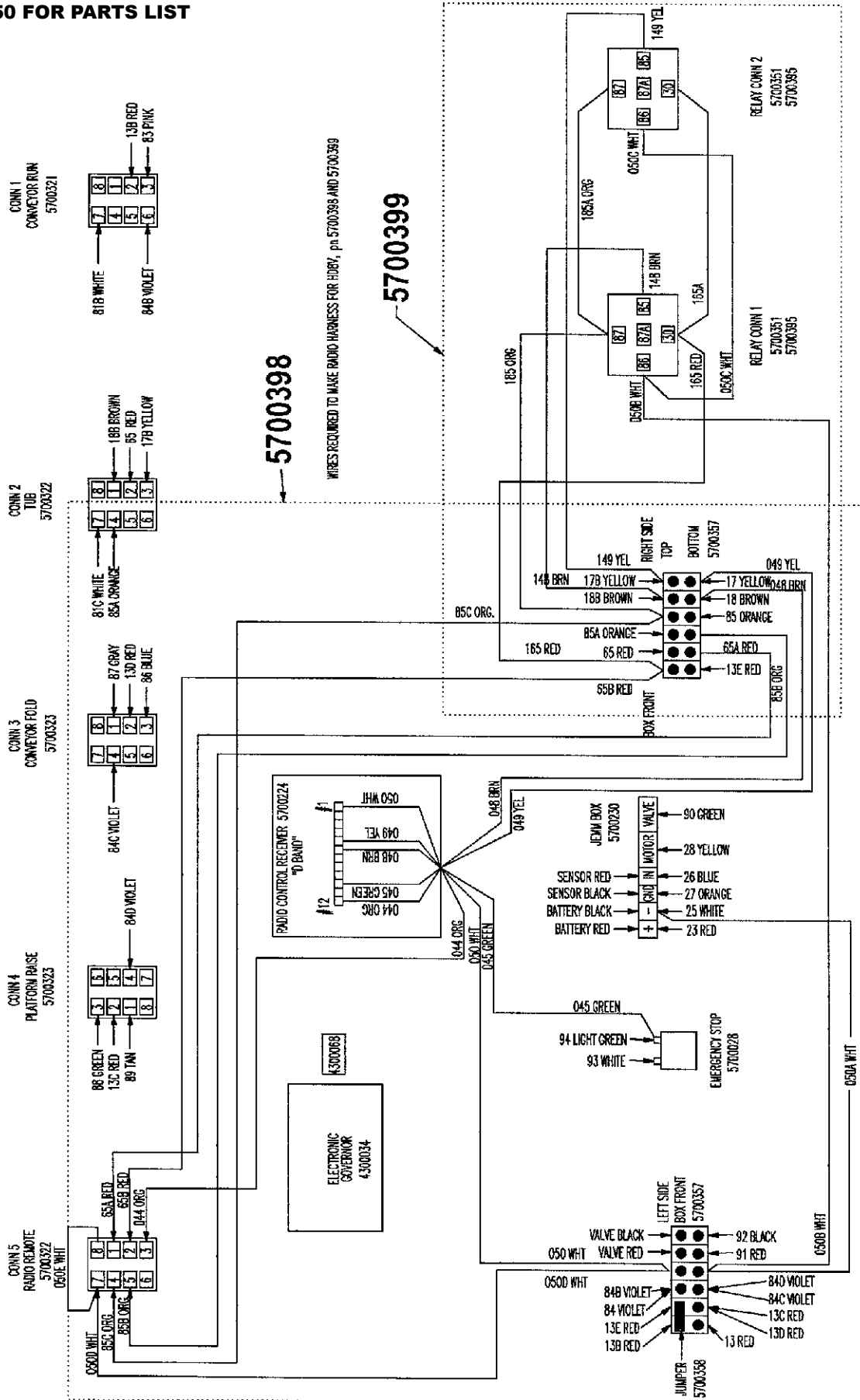
MAIN WIRING HARNESS

SEE PAGE 50 FOR PARTS LIST



RADIO REMOTE WIRING HARNESS

SEE PAGE 50 FOR PARTS LIST



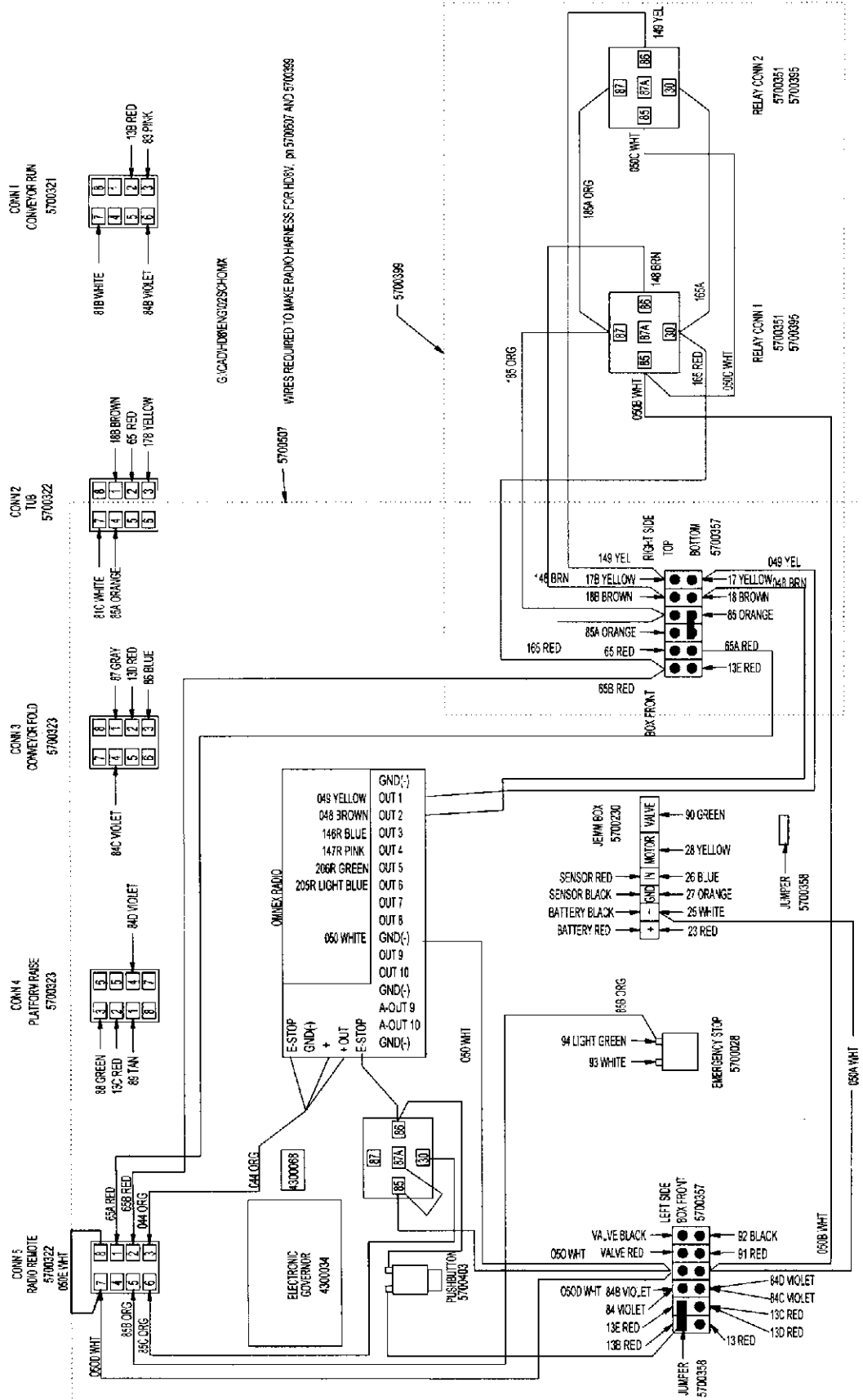
5700398

WIRES REQUIRED TO MAKE RADIO HARNESS FOR HD8V, pt. 5700398 AND 5700399

5700399

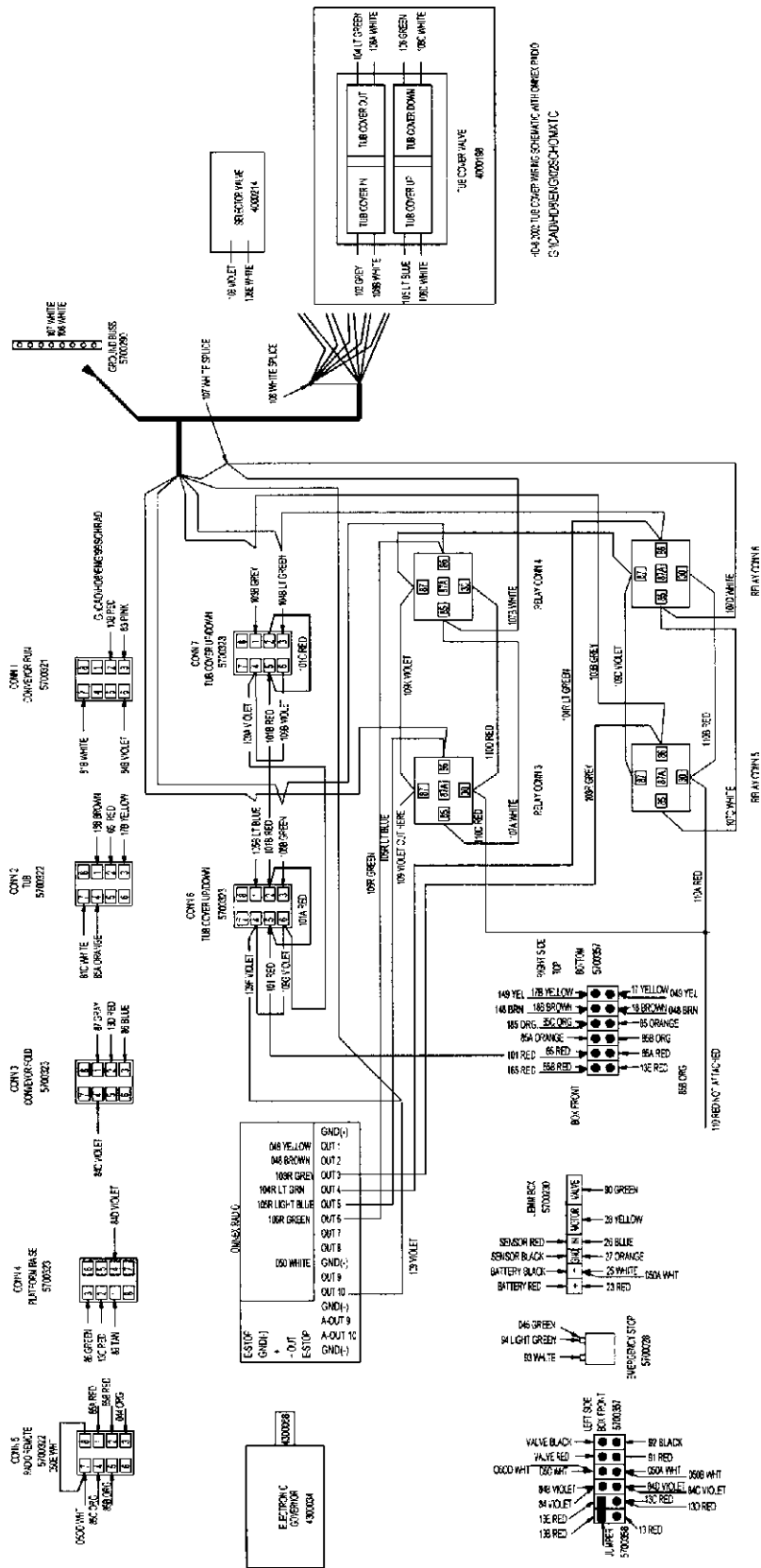
OMNEX RADIO SCHEMATIC

SEE PAGE 50 FOR PARTS LIST



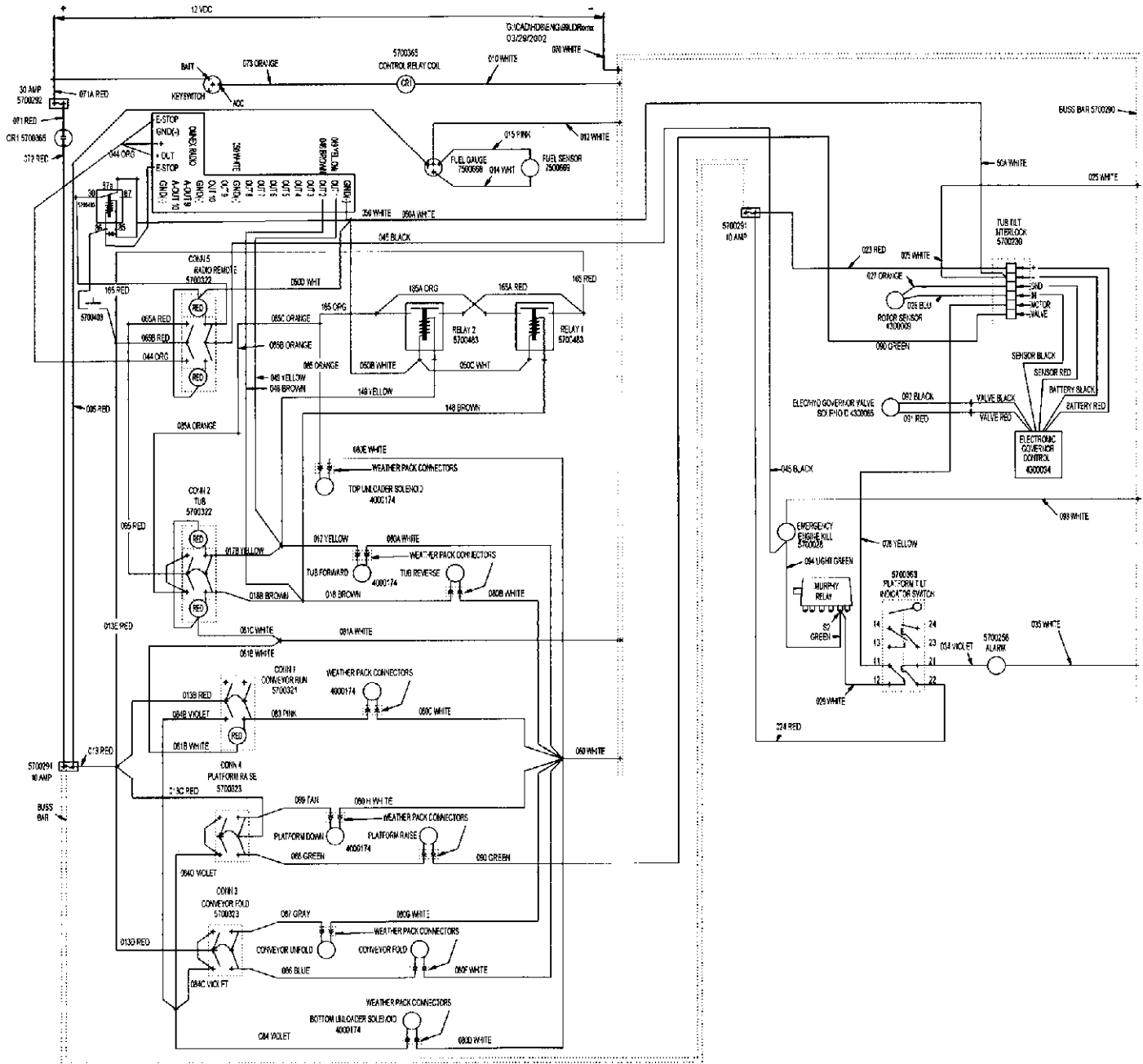
OMNEX RADIO SCHEMATIC WITH TUB COVER

SEE PAGE 50 FOR PARTS LIST



OMNEX RADIO SCHEMATIC LADDER BASE BASE

SEE PAGE 50 FOR PARTS LIST



TUB COVER HARNESS

SEE PAGE 50 FOR PARTS LIST

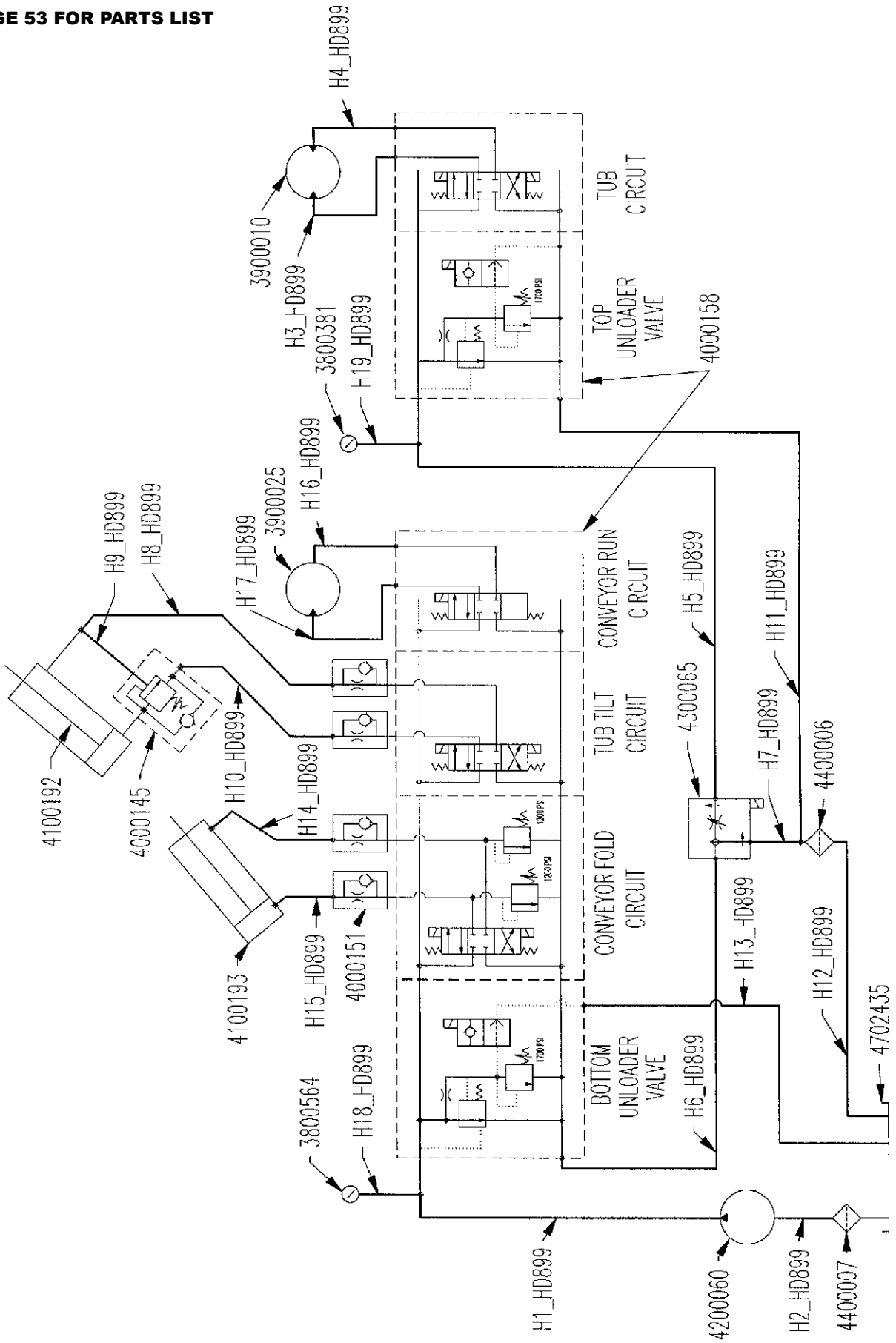
SEE TUB COVER HARNESS FOLDOUT IN APPENDIX A AT THE BACK OF THE BOOK

ELECTRICAL PART LIST

PART	QTY.	PART DESCRIPTION
4000158	1	VALVE\HYD\4SPL\12V\HD8\WEATHER;PACK;CONN
4000174		VALVE\HYD\SOL\12V\4000158
4300009	1	SENSOR\MAG\W\HARDWARE
4300010		SOLENOID\HYD.VALVE\12VDC
4300034	1	NEW STYLE CNTRL BOX RCB93
4300065	1	VALVE\SERVO\15GPM\12VDC
4300068	1	HARN\GOV\ELEC\HD8-V
5700028	1	SWITCH\MAINT\PB\RED\MUSH
5700033	1	TERM\6POLE\TRLR\CONN
5700034	1	ENCL\JCT\7POLE\TRLR\HARN
5700200	2	LAMP\CL\12VDC\2-1/2RD\RED\SEALED
5700201	2	LAMP\TAIL\4-1/2\COMP\RED
5700224	OPT	RADIO\REMOT\CONTROL\7B\COMP
5700230	1	BOX\CNTRL\SAFETY SHUTDOWN
5700256	1	ALARM\ELEC\BACK-UP\
5700289	1	ENCL\BRKR\CRCT\7-POLE
5700290	1	TERM\BAR\BUS\8-POLE
5700291	2	BRKR\CRCT\10A\AUTO\TYPE1
5700292	1	BRKR\CRCT\30A\AUTO\TYPE1
5700321	1	SWITCH\RCKR\DPST\20A\12V\1 LIGHT
5700322	1	SWITCH\RCKR\DPDT\20A\12V\2 LIGHT
5700323	2	SWITCH\RCKR\DPDT\20A\MOMENTARY
5700324	2	SWITCH\RCKR\ACTR\BLK
5700325	1	SWITCH\RCKR\ACTR\BLK\1RED\LIGHT
5700326	1	SWITCH\RCKR\ACTR\BLK\2RED\LIGHTS
5700328	3	SWITCH\RCKR\MNT\PNL\SNGL
5700329	1	SWITCH\RCKR\PLUG
5700333	2	SWITCH\RCKR\MNT\PNL\MTPL
5700343		ENCL\BOOT\BRKR\CRCT\RED
5700345	1	HARN\MAIN\HD8
5700351	OPT	RELAY\SPDT\12VDC\40AMP
5700357	2	TERM\BLOCK\6\30A\600V
5700363	1	SWITCH\LIMIT\GLAA20A2A>
5700364	1	HARN\SUPPLY\POWER\12VDC
5700365	1	RELAY\CONT:DUTY\12V\ST-85
5700377	1	HARN\LIGHT\HD8\99
5700395	OPT	CONN\RELAY\5PIN\BOSCH
5700398	OPT	HARN\RADIO\HD8\SWTCH&RDO\12V
5700399	OPT	HARN\RADIO\HD8\RELAY\12V
5700425	1	SWITCH\ELEC\MAGNT\TAT\12V
5700435		HARN\THROWN;OBJECT\HD8
5700476	1	BOOT\DUST\TAT\TLT\ALE\MURPH
5700479		SWITCH\ELEC\KIT\TAT\12 includes 5700425 & 5700476
7500668	1	GAUGE\FUEL\ELEC\HD10-HD12
7500669	1	GAUGE\SENDING\UNIT

HYDRAULIC SYSTEM SCHEMATIC

SEE PAGE 53 FOR PARTS LIST



TUB COVER HYDRAULIC SYSTEM SCHEMATIC

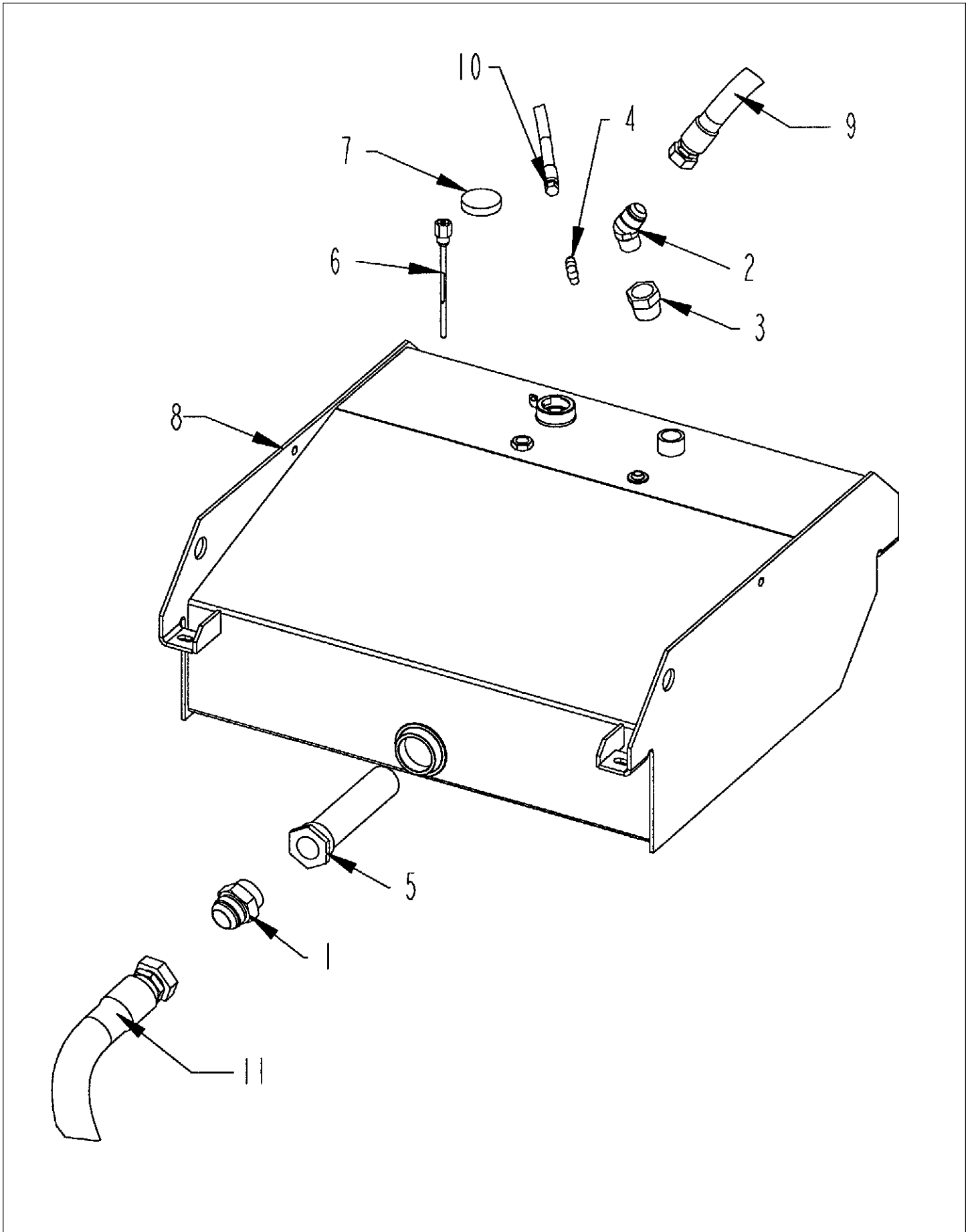
SEE PAGE 53 FOR PARTS LIST

**SEE TUB COVER HYDRAULIC SYSTEM SCHEMATIC FOLDOUT IN APPENDIX A AT THE
BACK OF THE BOOK**

HYDRAULICS PART LIST

PART	QTY.	PART DESCRIPTION
3800381	1	GAUGE\3000PSI\REAR STEM
3800564	1	GAUGE\4000PSI\REAR;STEM
3900010	1	MTR\HYD\24\2000\SAE;A
3900025	1	MOTOR\HYD\17.9\HAMNT\7/8FOR\1SHFT
4000145	1	VALVE\HYD\CNTR;BLNCD
4000151	4	VALVE\FLO;CNTRL\1GPM\8\INLINE\PRSSR;COMP
4000158	1	VALVE\HYD\4SPL\12\HD8\WEATHER;PACK;CONN
4100192	1	CYL\HYD\2-1/2X14\1-1/4
4100193	1	CYL\HYD\2-1/2X8\WELDED\1-1/4
4200060	1	PUMP\HYD\1.94\SAE\B\16G\7/8-13SH\3000PSI\KSERIES
4300065	1	VALVE\SERVO\15GPM\12VDC
4400006	1	FLTR\COMP\10MICRON\3.7D\25PSI;BYPASS\35GPM\250PSI
4702435	1	TANK\HYD\HD8\SERIESV
H1_HD899	1	PUMP TO BOTTOM UNLOADER VALVE
H2_HD899	1	TANK TO PUMP
H3_HD899	1	3700632 - VALVE TO TUB ORBIT MOTOR
H4_HD899	1	3700633 - VALVE TO TUB ORBIT MOTOR
H5_HD899	1	GOVERNOR VALVE TO TOP UNLOADER VALVE
H6_HD899	1	3700634 - BOTTOM UNLOADER VALVE TO GOVERNOR VALVE
H7_HD899	1	GOVERNOR VALVE TO FILTER
H8_HD899	1	VALVE TO TUB TILT CYLINDER
H9_HD899	1	TUB TILT CYLINDER PILOT PRESSURE LINE
H10_HD899	1	VALVE TO TUB TILT CYLINDER
H11_HD899	1	TOP UNLOADER VALVE TO FILTER
H12_HD899	1	FILTER TO TANK
H13_HD899	1	BOTTOM UNLOADER VALVE DRAIN TO TANK
H14_HD899	1	VALVE TO CONVEYOR FOLD CYLINDER
H15_HD899	1	VALVE TO CONVEYOR FOLD CYLINDER
H16_HD899	1	VALVE TO CONVEYOR RUN ORBIT MOTOR
H17_HD899	1	VALVE TO CONVEYOR RUN ORBIT MOTOR
H18_HD899	1	PUMP DISCHARGE PRESSURE GAUGE LINE
H19_HD899	1	TUB ORBIT MOTOR PRESSURE GAUGE LINE

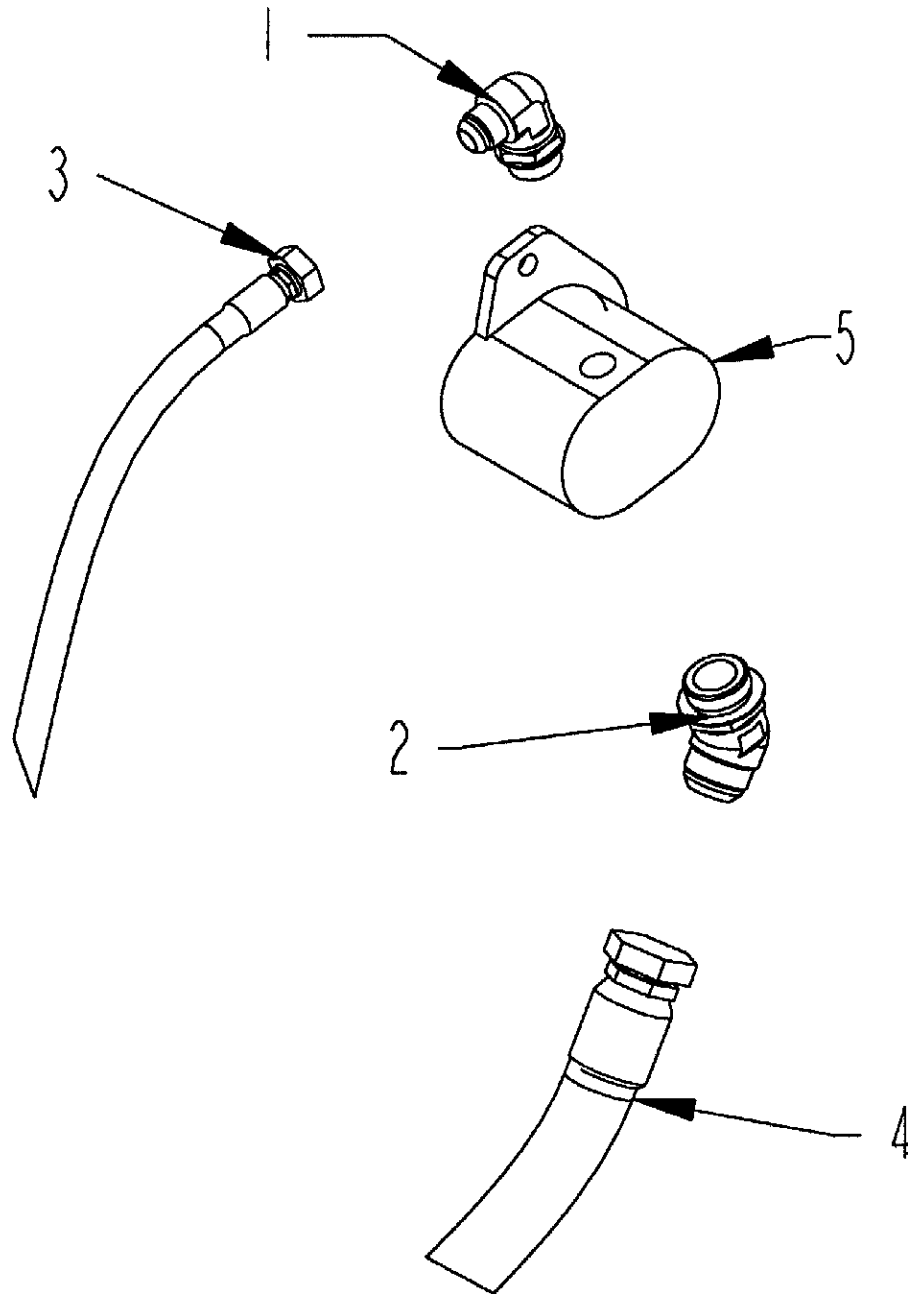
TANK FITTINGS



TANK FITTINGS

ITEM	PART	QTY.	PART DESCRIPTION
1	3800471	1	FTG\1-5/8MJICX1-1/4MP\ST\SOLID
2	3800578	1	FTG\1-1/16MJICX3/4MP\45
3	3800580	1	FTG\1MPX3/4FP\BUSH
4	3800584	1	FTG\7/16MJICX1/4MP\90
5	4400007	1	FLTR\SCRN\2MPX1-1/4FP\25GPM
6	4702439	1	ASSY\DIPSTICK\TANK\HYD
7	7500636	1	CAP\VENTED\TANK\OIL
8	4702435	1	TANK\HYD\HD8\SERIESV
9	H12_HD899	1	FILTER TO TANK
10	H13_HD899	1	BOTTOM UNLOADER VALVE DRAIN TO TANK
11	H2_HD899	1	TANK TO PUMP

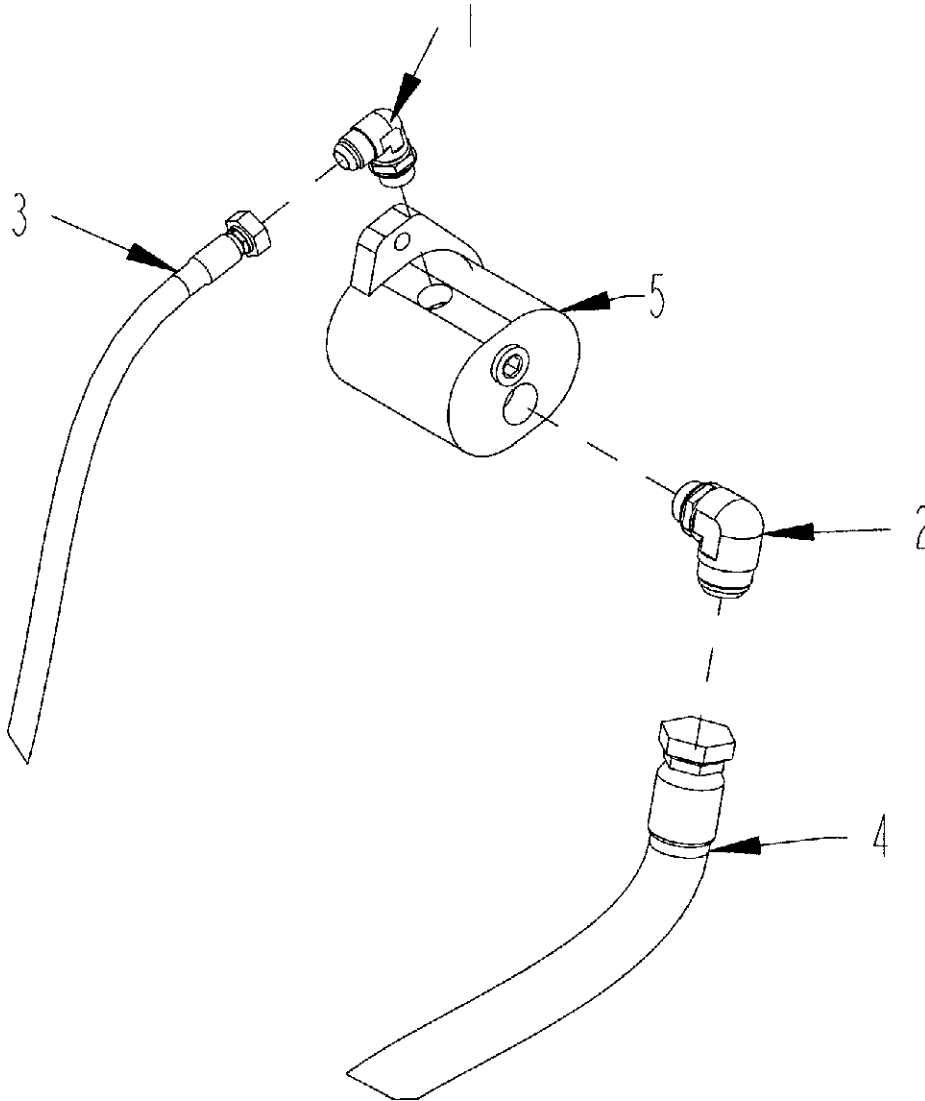
PUMP SN 110359 TO AJ0420



STANDARD PRODUCTION, SN 110359 TO AJ0420

ITEM	PART	QTY.	PART DESCRIPTION
1	3800534	1	FTG\1-5/16MORX1-1/16MJIC\90
2	3800581	1	FTG\1-5/8MORX1-5/8MJIC\45
3	H1_HD899	1	PUMP TO BOTTOM UNLOADER VALVE
4	H2_HD899	1	TANK TO PUMP
5	4200060	1	PUMP\HYD\1.94\SAE\B\16G\7/8-13SH\3000PSI\KSERIES
	4200044		SEAL;KITWEBSTER\KSERIES

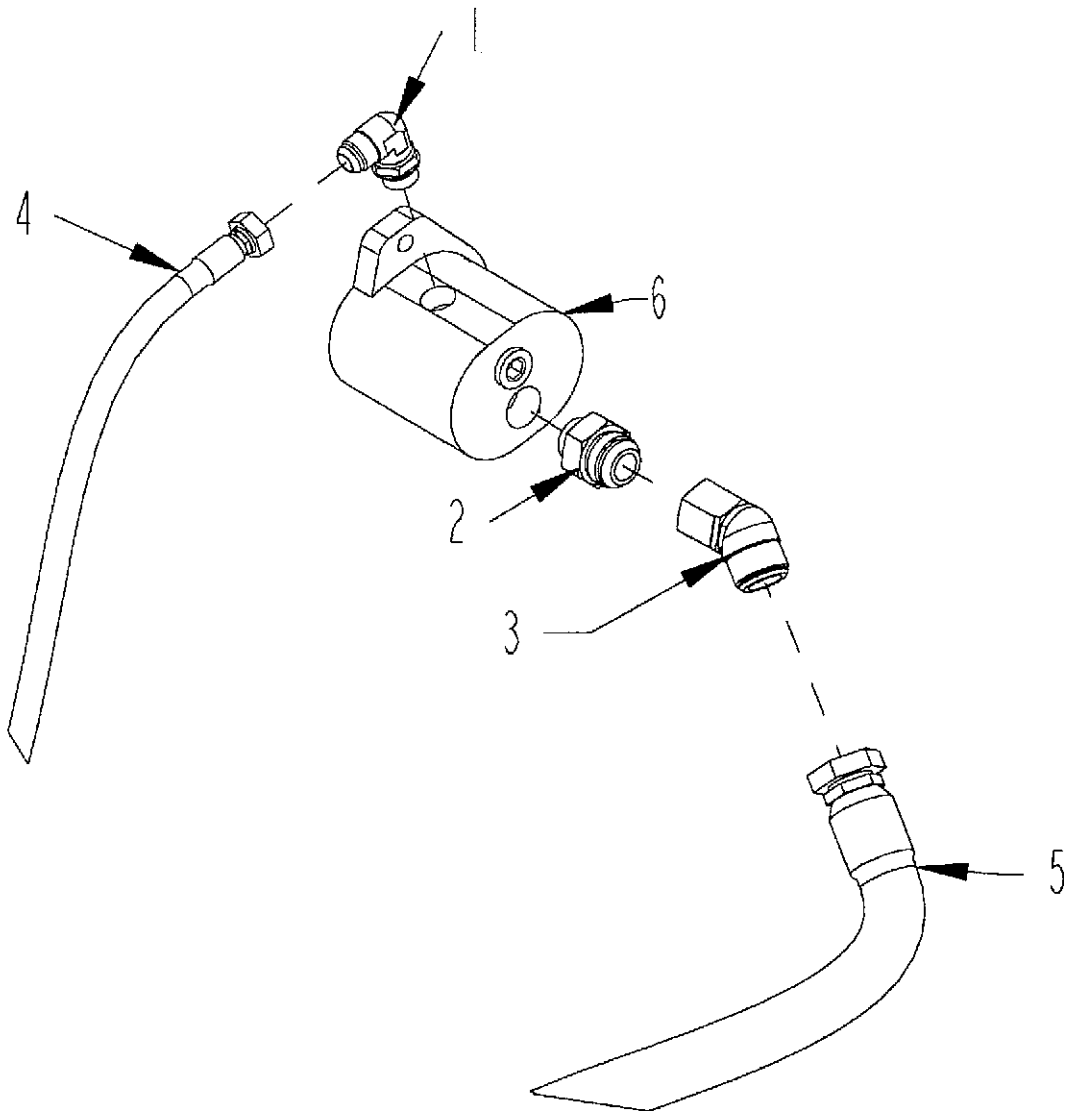
RETROFIT PUMP FOR SN 110359 TO AJ0420



PUMP RETROFIT "NEW PUMP ON OLD MACHINES" for SN 110359 TO AJ0420

ITEM	PART	QTY.	PART DESCRIPTION
1	3800279	1	FTG\1-1/16MORX1-1/16MJC\90D
2	3800712	1	FTG\1-5/16MORX1-5/8MJC\90
3	H1_HD899	1	PUMP TO BOTTOM UNLOADER VALVE
4	H2_HD899	1	TANK TO PUMP
5	4200077	1	PUMP\HYD\1.97\B\CW\PR;BAL

PUMP SN AJ0421 AND UP

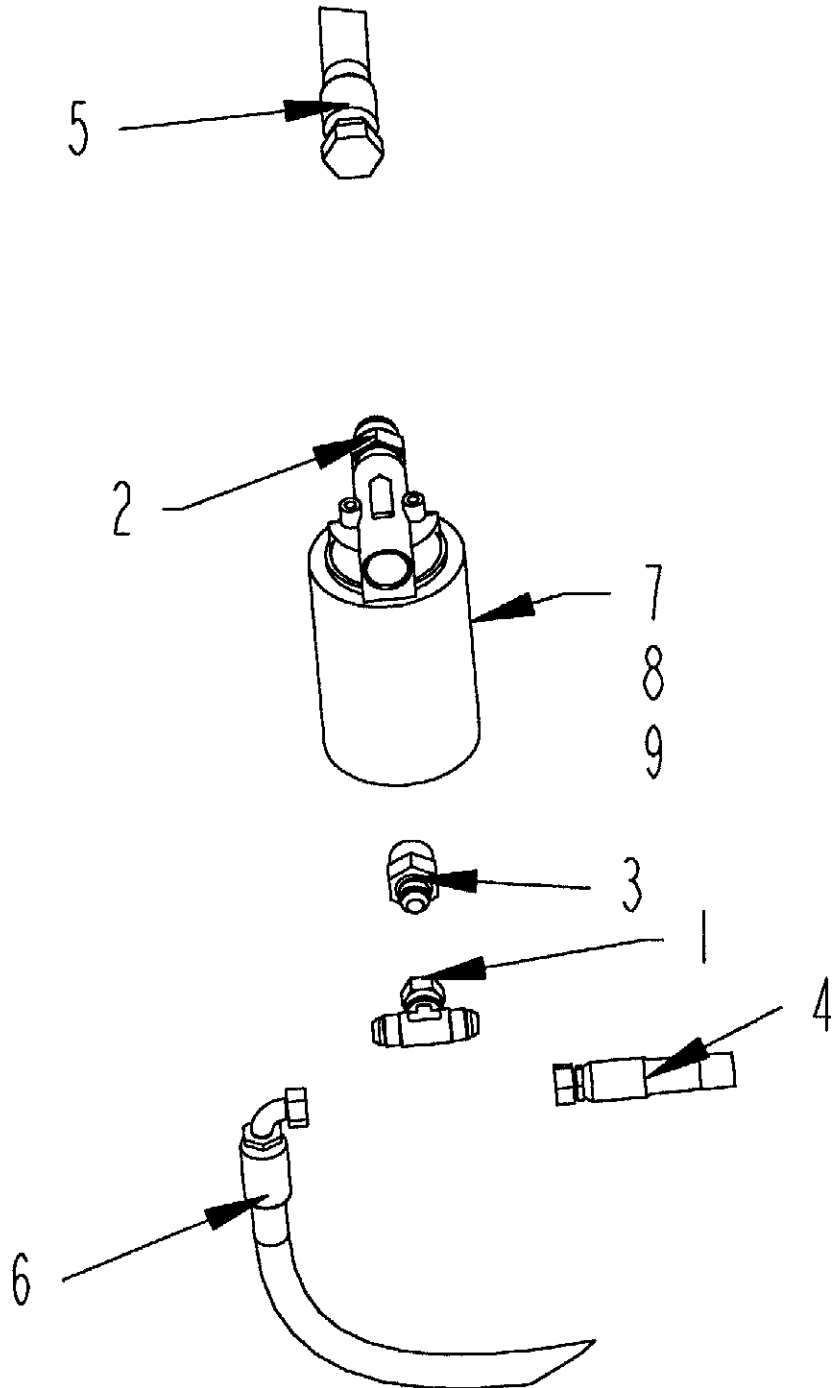


STANDARD PRODUCTION, SN AJ0421 AND UP

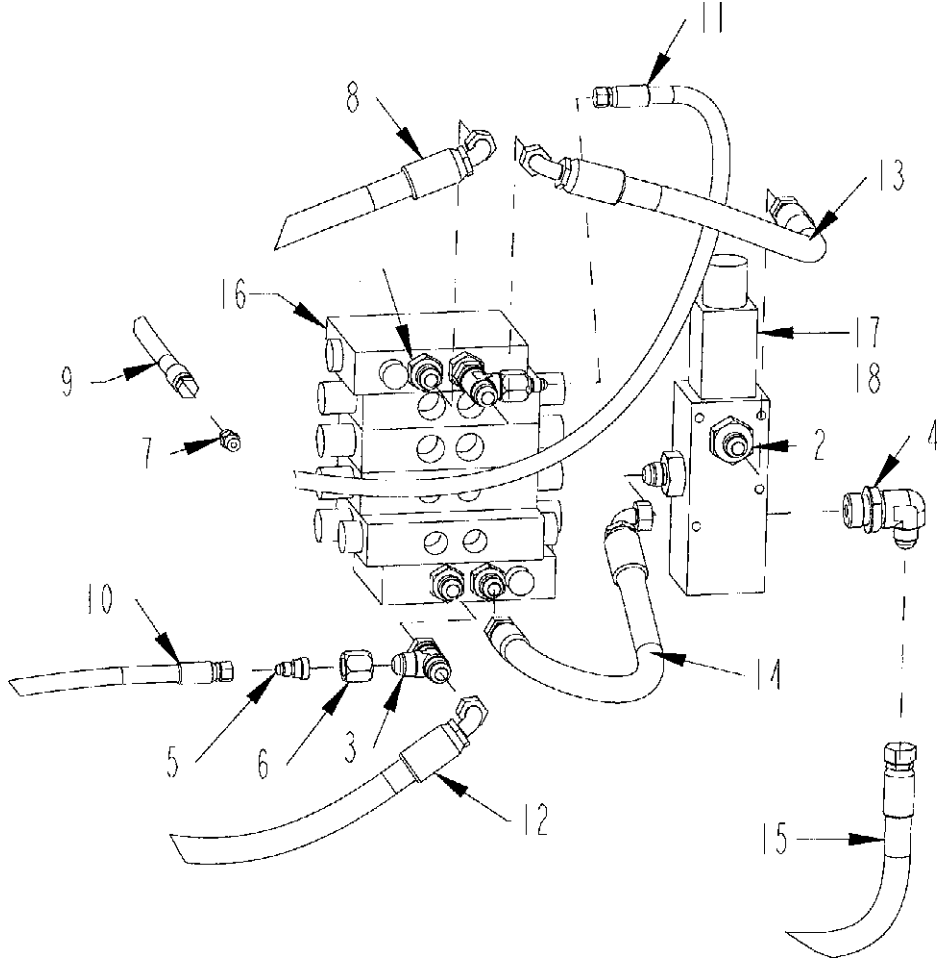
ITEM	PART	QTY.	PART DESCRIPTION
1	3800279	1	FTG\1-1/16MORX1-1/16MJIC\90D
2	3800710	1	FTG\1-5/16MORX1-5/8MJIC\ADAPTOR
3	3800711	1	FTG\1-5/8MJICX1-5/8FJC\45
4	H1_HD899	1	PUMP TO BOTTOM UNLOADER VALVE
5	H2_HD899	1	TANK TO PUMP
6	4200077	1	PUMP\HYD\1.97\B\CW\PR;BAL

HYDRAULIC FILTER

ITEM	PART	QTY.	PART DESCRIPTION
1	3800478	1	FTG\3/4MJIC3/4MJIC3/4FJICS\BR;TEE
2	3800539	1	FTG\1-1/16MJICX3/4MP\ST\SOLID
3	3800579	1	FTG\3/4MPX3/4MJIC\ST\SOLID
4	H11_HD89	1	TOP UNLOADER VALVE TO FILTER
5	H12_HD89	1	FILTER TO TANK
6	H7_HD899	1	GOVERNOR VALVE TO FILTER
7	4400004		FLTR\BASE\3/4FP\3.7D\25PSI;BYPASS\35GPM\250PSI
8	4400005		FLTR\ELMT\10MICRON\3.7D\35GPM\250PSI
9	4400006		FLTR\COMP\10MICRON\3.7D\25PSI;BYPASS\35GPM\250PSI



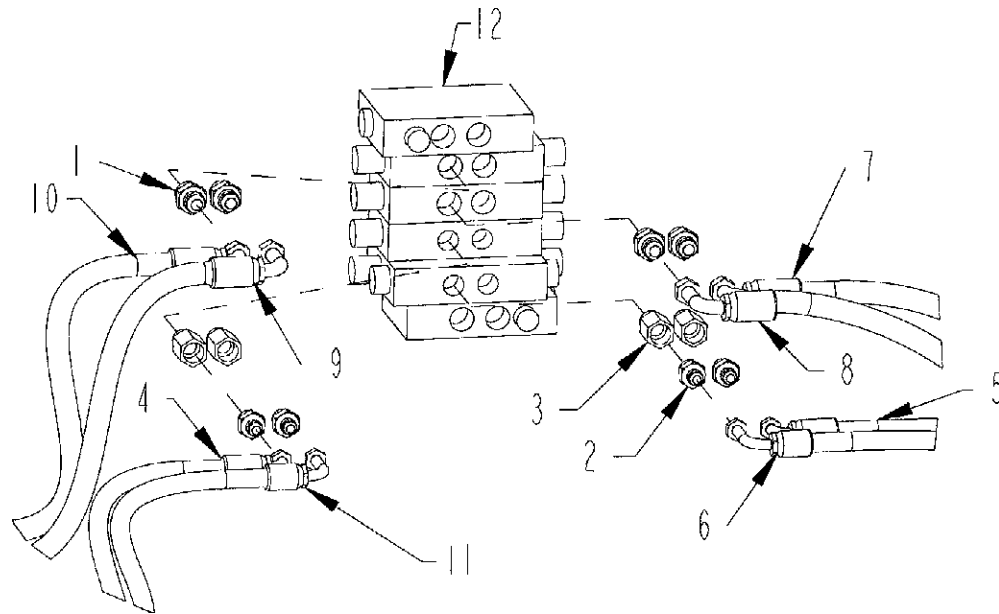
VALVE BANKS-SUPPLY



VALVE BANKS-SUPPLY

ITEM	PART	QTY.	PART DESCRIPTION
1	3800328	4	FTG\7/8MORX3/4MJIC\ADPT
2	3800480	2	FTG\1-1/16MORX3/4MJIC\ADPT
3	3800484	2	FTG\3/4FJICSX3/4MJICX3/4MJIC\RUN;TEE
4	3800536	1	FTG\1-1/16MORX3/4MJIC\90
5	3800543	2	FTG\3/4FJICX7/16MJIC\ADPT
6	3800549	2	FTG\3/4NUTFJIC
7	3800582	1	FTG\1/8MPX7/16MJIC\ADPT
8	H11_HD899	1	TOP UNLOADER VALVE TO FILTER
9	H13_HD899	1	BOTTOM UNLOADER VALVE DRAIN TO TANK
10	H18_HD899	1	PUMP DISCHARGE PRESSURE GAUGE LINE
11	H19_HD899	1	TUB ORBIT MOTOR PRESSURE GAUGE LINE
12	H1_HD899	1	PUMP TO BOTTOM UNLOADER VALVE
13	H5_HD899	1	GOVERNOR VALVE TO TOP UNLOADER VALVE
14	H6_HD899	1	BOTTOM UNLOADER VALVE TO GOVERNOR VALVE
15	H7_HD899	1	GOVERNOR VALVE TO FILTER
16	4000158		VALVE\HYD\4SPL\12\HVD8\WEATHER;PACK;CONN
			REPLACEMENT PARTS FOR 4000158
	4000174		VALVE\HYD\SOL\12V\4000158
	4000179		VALVE\HYD\CART\UNLOADING\4000158
	4000176		VALVE\HYD\CART\WORK\4000158
17	4300065		VALVE\SERVO\15GPM\12VDC
			REPLACEMENT SOLENOID FOR 4300065
18	4300010		SOLENOID\HYD.VALVE\12VDC

VALVE BANKS-WORKING



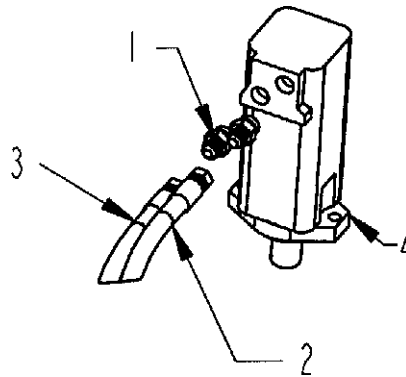
ITEM	PART	QTY.	PART DESCRIPTION
1	3800328	4	FTG\7/8MORX3/4MJIC\ADPT
2	3800530	4	FTG\3/4MORX9/16MJIC\ST
3	4000151	4	VALVE\FLO;CNTRL\1GPM\8\INLINE\PRSSR;COMP
4	H10_HD899	1	VALVE TO TUB TILT CYLINDER
5	H14_HD899	1	VALVE TO CONVEYOR FOLD CYLINDER
6	H15_HD899	1	VALVE TO CONVEYOR FOLD CYLINDER
7	H16_HD899	1	VALVE TO CONVEYOR RUN ORBIT MOTOR
8	H17_HD899	1	VALVE TO CONVEYOR RUN ORBIT MOTOR
9	H3_HD899	1	3700632 - VALVE TO TUB ORBIT MOTOR
10	H4_HD899	1	3700633 - VALVE TO TUB ORBIT MOTOR
11	H8_HD899	1	VALVE TO TUB TILT CYLINDER
12	4000158	1	VALVE\HYD\4SPL\12V\HD8\WEATHER;PACK;CONN

REPLACEMENT PARTS FOR 4000158

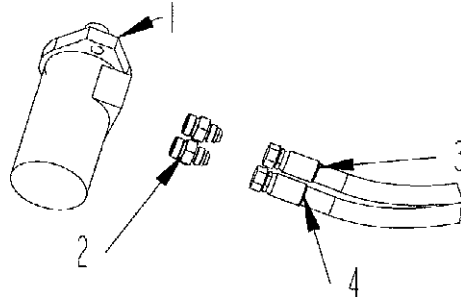
4000174	VALVE\HYD\SOL\12V\4000158
4000179	VALVE\HYD\CART\UNLOADING\4000158
4000176	VALVE\HYD\CART\WORK\4000158

TUB ORBIT MOTOR

ITEM	PART	QTY.	PART DESCRIPTION
1	3800328	2	FTG\7/8MORX3/4MJIC\ADPT
2	H3_HD899	1	VALVE TO TUB ORBIT MOTOR
3	H4_HD899	1	VALVE TO TUB ORBIT MOTOR
4	3900010	1	MTR\HYD\24\2000\SAE;A
	7501005		SEAL KIT 2000 ORBIT



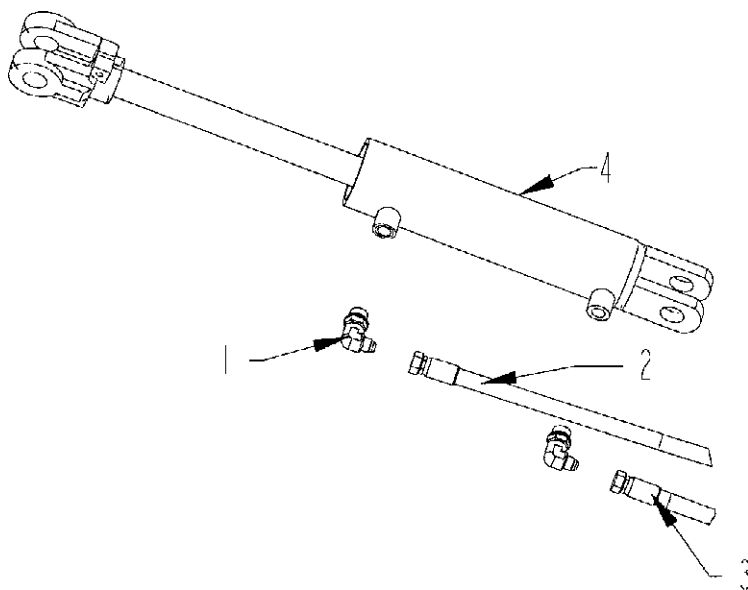
CONVEYOR ORBIT MOTOR



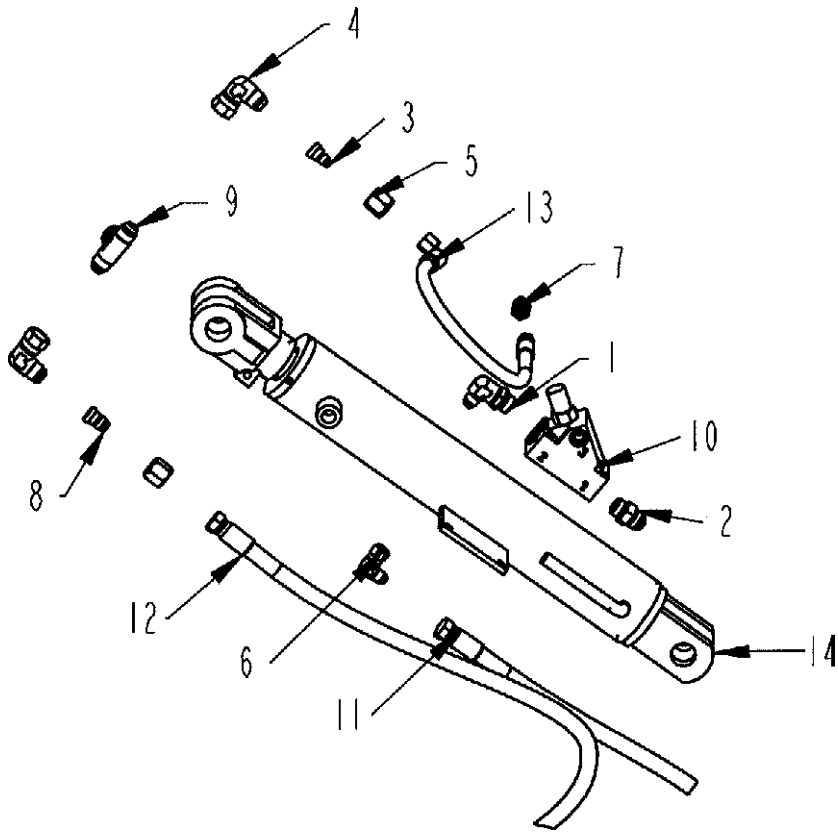
ITEM	PART	QTY.	PART DESCRIPTION
1	3900025	1	MOTOR\HYD\17.9\HAMNT\7/8FOR\1SHFT
2	3800328	2	FTG\7/8MORX3/4MJIC\ADPT
3	H16_HD89	1	VALVE TO CONVEYOR RUN ORBIT MOTOR
4	H17_HD89	1	VALVE TO CONVEYOR RUN ORBIT MOTOR

CONVEYOR LIFT CYLINDER

ITEM	PART	QTY.	PART DESCRIPTION
1	3800453	2	FTG\3/4MORX9/16MJIC\90
2	H14_HD899	1	VALVE TO CONVEYOR FOLD CYLINDER
3	H15_HD899	1	VALVE TO CONVEYOR FOLD CYLINDER
4	4100193	1	CYL\HYD\2-1/2X8\WELDED\1-1/4



TUB TILT CYLINDER

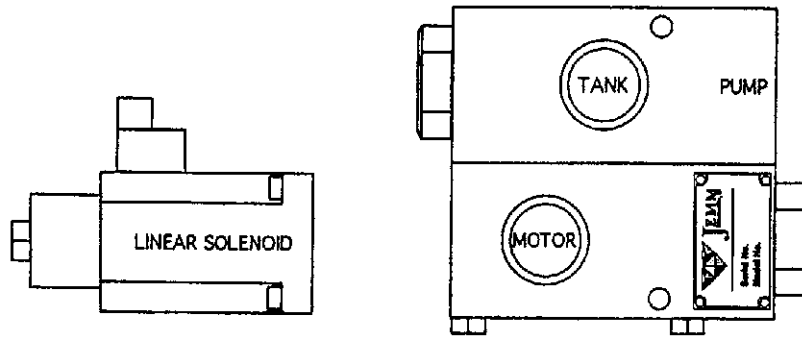


TUB TILT CYLINDER

ITEM	PART	QTY.	PART DESCRIPTION
1	3800453	1	FTG\3/4MORX9/16MJIC\90
2	3800477	1	FTG\3/4MORX3/4MJIC\ST
3	3800543	1	FTG\3/4FJICX7/16MJIC\ADPT
4	3800546	2	FTG\3/4MJICX3/4FJIC\90\SW
5	3800549	2	FTG\3/4NUTFJIC
6	3800585	1	FTG\9/16MJICX3/8FJIC\90\SW
7	3800586	1	FTG\9/16MORX7/16MJIC\ST
8	3800587	1	FTG\3/4FJICX9/16MJIC\ADPT
9	3800588	1	FTG\3/4MJICX3/4MJICX3/4MOR\TEE
10	4000145	1	VALVE\HYD\CNTR;BLNCD
11	H10_HD89	1	VALVE TO TUB TILT CYLINDER
12	H8_HD899	1	VALVE TO TUB TILT CYLINDER
13	H9_HD899	1	TUB TILT CYLINDER PILOT PRESSURE LINE
14	4100192	1	CYL\HYD\2-1/2X14\1-1/4

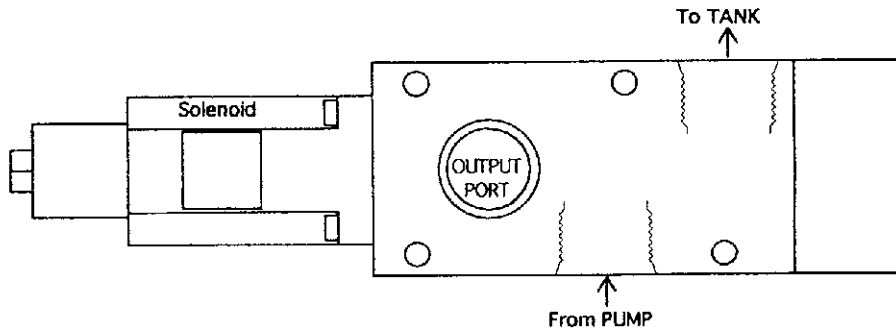
HYDRAULIC ELECTRIC SOLENOID VALVE

CV93



Valve 4300030

CV98



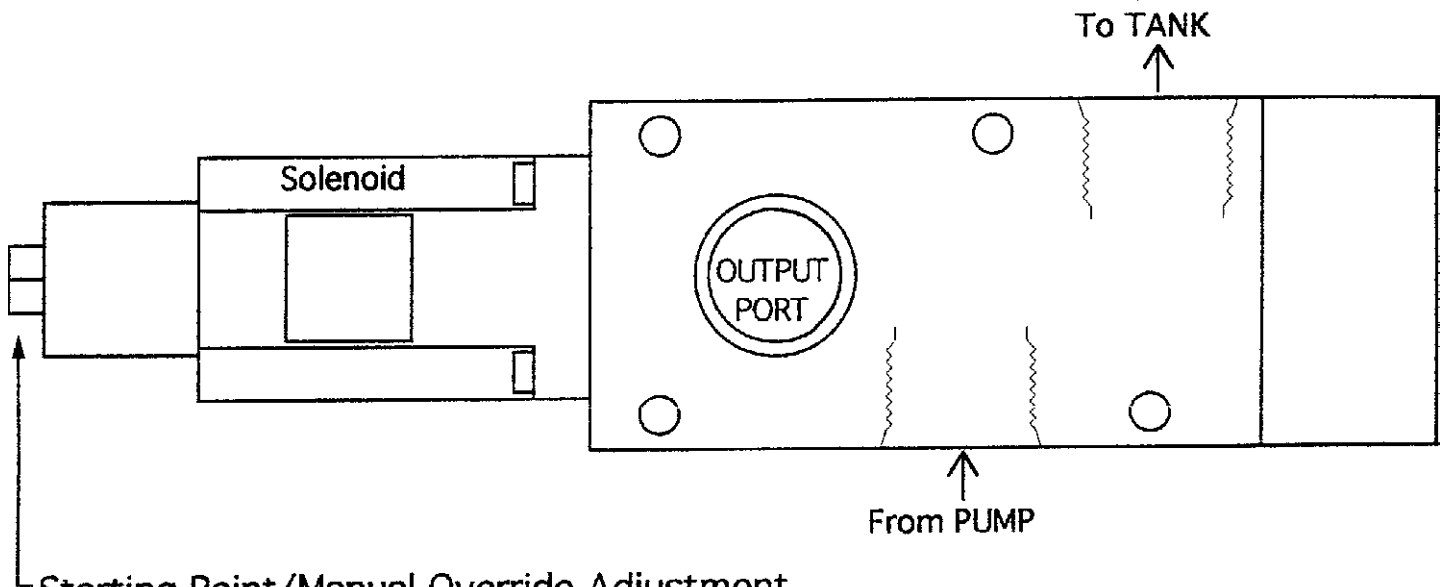
Valve 4300065

HYDRAULIC ELECTRIC SOLENOID VALVE

PART	QTY.	PART DESCRIPTION
		CV93
4300030	1	HYD. ELECTRIC SOLENOID VALVE 12V 20GPM
		CV98
4300065		VALVE\SERVO\15GPM\12VDC
4300010		SOLENOID\HYD VALVE\12V, SEE NOTES BELOW

NOTE: THE DIFFERENCE BETWEEN THE 12 VOLT AND 24 VOLT SOLENOID IS LISTED ON THE SERIAL NUMBER PLATES. THE SOLENOIDS ARE ELWOOD 160261--xx6 or 160261--xx9. THE 6 IS A 12 VOLT SOLENOID, THE 9 IS A 24 VOLT SOLENOID. ALSO, 12 OR 24 ARE STAMPED ON THE NEWEST SERIAL NUMBER PLATES. 12 VOLT SOLENOID RESISTANCE IS 8 TO 12 OHMS, 24 VOLT RESISTANCE IS 38-44 OHMS

NOTE: 15 GPM IS STANDARD FLOW RATE. ANY VALVES THAT ARE NOT 15 GPM ARE TO BE STAMPED IN METAL OF THE VALVE CASING NEXT TO THE SERIAL NUMBER INDICATING THE FLOW RATE, E.G. 25 INDICATES 25 GPM.



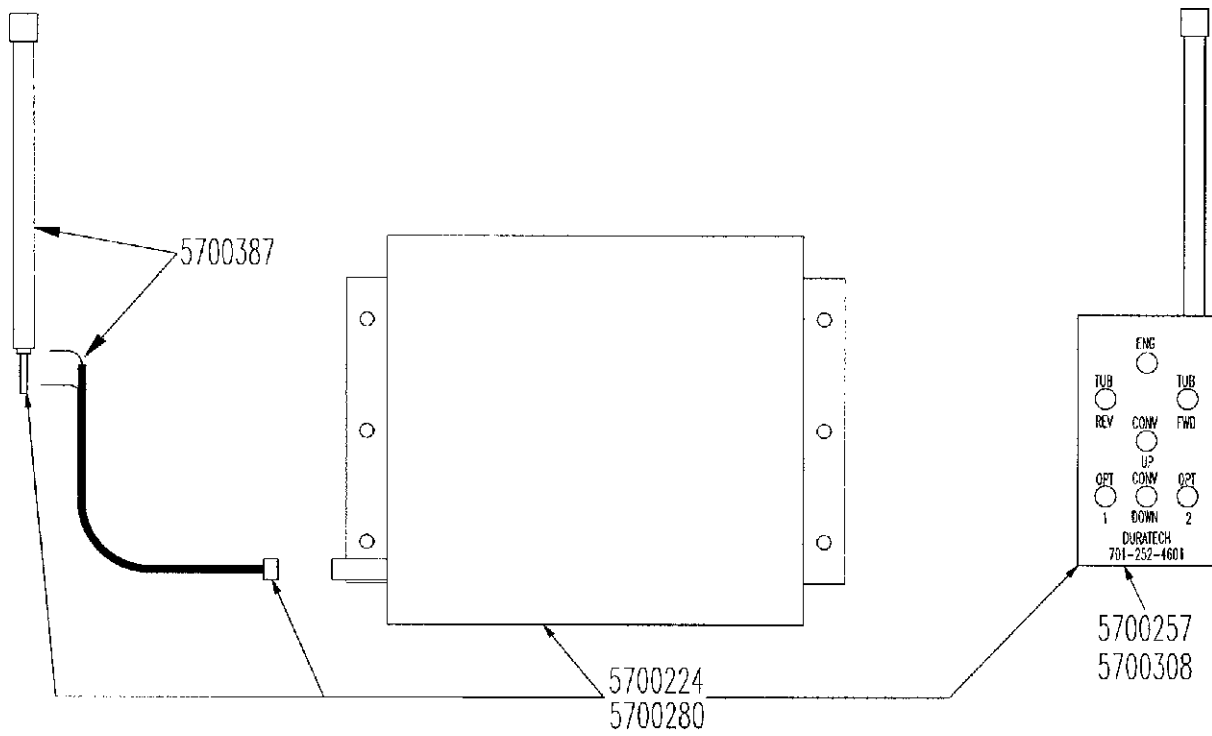
Starting Point/Manual Override Adjustment

The starting point is preset to 0 GPM. If any further adjustment is required;
 1- Loosen jam nut. 2- Turn the adjusting screw clockwise to increase the flow or counter clockwise to decrease flow. 3- Gently tighten the jam nut.

WARNING- If the adjusting screw is turned to far counter clockwise, the valve will behave erratically or stop working all together. Turn the adjusting screw no more than 1/16 to 1/8 of a turn counter clockwise after flow has stopped.

For manual operation when electrical control fails, turn the adjusting screw clockwise until the desired constant flow is obtain.

RADIO REMOTE CONTROL



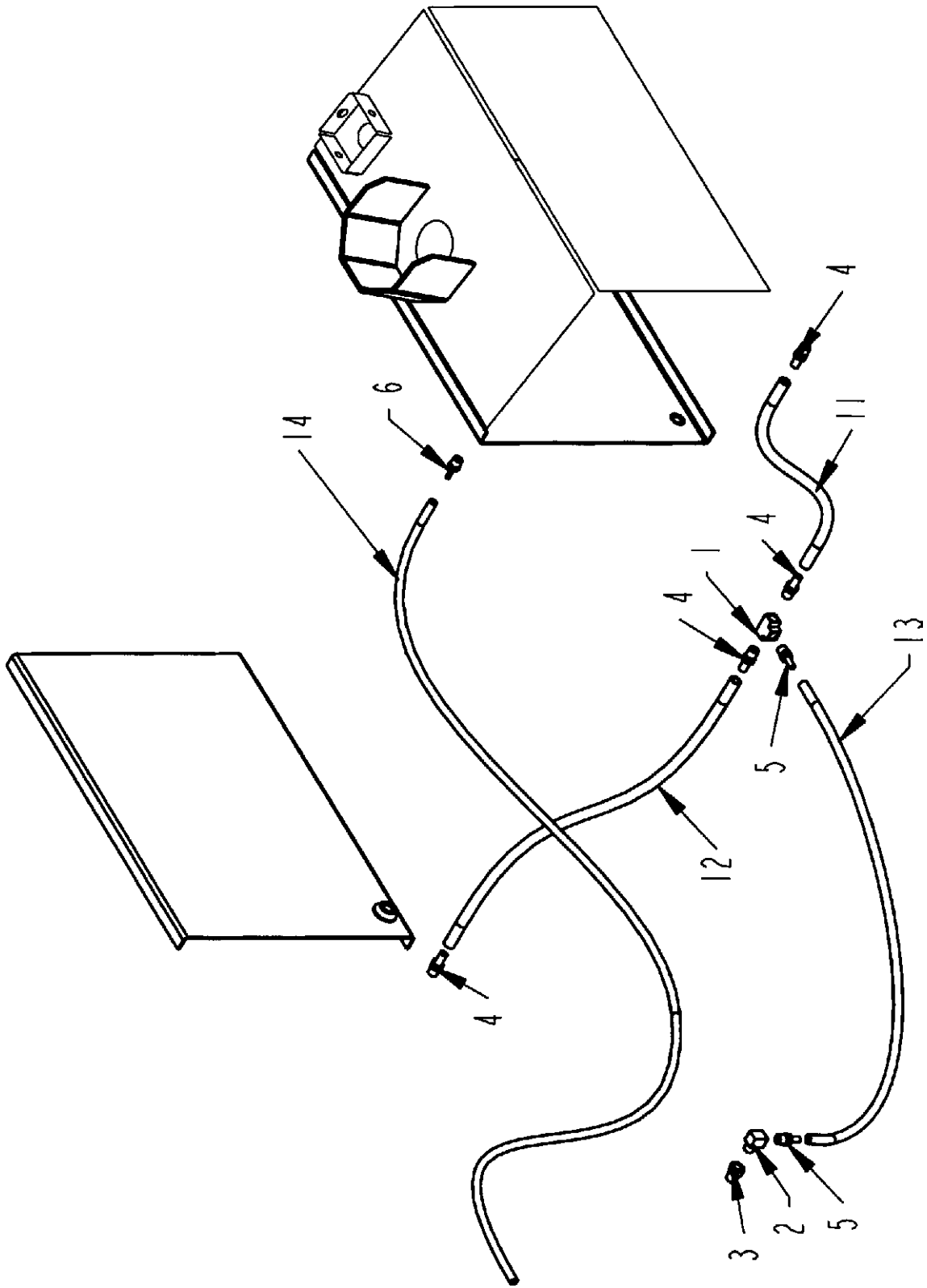
MICROTRONIC'S INC.																			
ADDRESS CODE																			
1	2	3	4	5	6	7	8	9	10										
11	12	13	14	15	16	17	18	19	20										
A B C D E F																			
S/N _____																			

BE SURE TO SPECIFY TRANSMITTER CODE LETTER WHEN ORDERING TRANSMITTER

RADIO REMOTE CONTROL

PART	QTY.	PART DESCRIPTION
5700224		RADIO\REMOTE\CONTROL\7B\COMP\12V
5700257	1	RADIO\REMOTE\SENDER\7BUTTON\D BAND
5700308		RADIO\REMOTE\SENDER\7BUTTON\C BAND
5700387		RADIO\REMOTE\ANTENNA AND CABLE

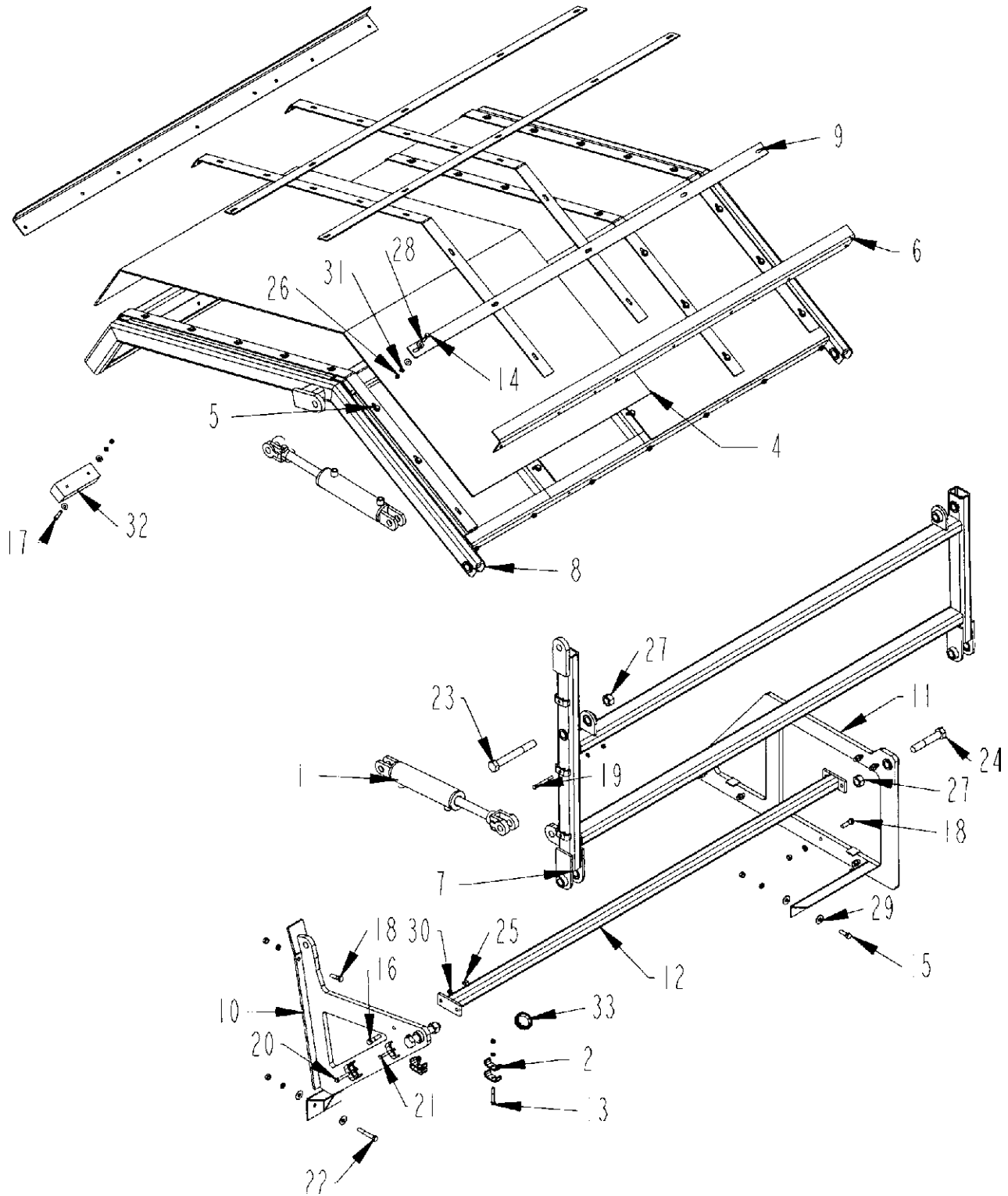
FUEL LINE ASSEMBLY



FUEL LINE ASSEMBLY

ITEM	PART	QTY.	PART DESCRIPTION
1	3800174	1	FTG\AIR\3/8FP\TEE\BRASS
2	3800176	1	FTG\AIR\3/8MPX3/8FP\90D\ST;EL\BRASS
3	3800616	1	FTG\1/2MPX3/8FP\BUSH\BRS\LW
4	3800684	4	FTG\AIR\3/8MPX1/2PSHLCK\BRASS
5	3800689	2	FTG\AIR\3/8MPX3/8PSHLCK\BRASS
6	3800690	1	FTG\AIR\3/8MPX5/16BARB\BRASS\NO;FRRL
11	3700523	17"	HOSE\PUSHLOCK\1/2\FT
12	3700523	32"	HOSE\PUSHLOCK\1/2\FT
13	3700428	55"	HOSE\PUSHLOCK\3/8\FT
14	FUEL_LINE_4_HD8V	88"	HOSE\FUEL\5/16\FT

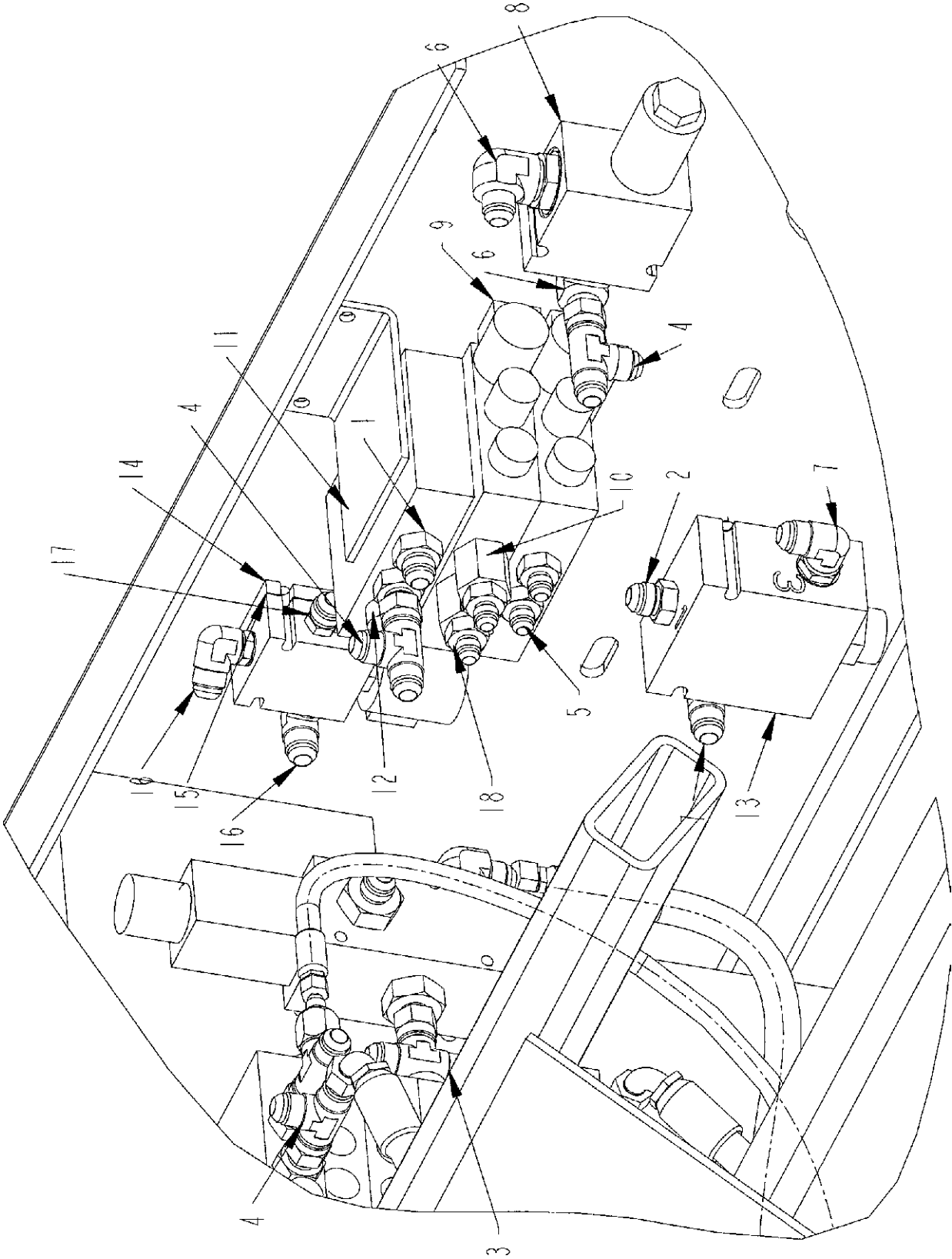
TUB COVER ASSEMBLY



TUB COVER ASSEMBLY

ITEM	PART	QTY.	PART DESCRIPTION
1	4100185	2	CYL\HYD\3-1/2X8\TIE\3/4;O-RING\PERP
2	4700776	10	CLMP\HOSE\3/8
3	4702731	1	COV\TUB\HD8
4	4702953	2	SCREEN\WIRE\COVER\TUB\HD8
5	4702954	5	CLAMP\FLAT\SCREEN\COVER\TUB\HD8
6	4702955	2	CLAMP\ANGLE\SCREEN\COVER\TUB\HD8
7	4702957	1	FRAME\COVER\TUB\SIDE\HD8
8	4702958	1	FRAME\COVER\TUB\TOP\HD8
9	4703000	3	CLAMP\FLAT\SCREEN\COVER\TUB\HD8
10	4703018	1	FRAME\FRONT\COVER\TUB\HD8
11	4703019	1	FRAME\REAR\COVER\TUB\HD8
12	4703020	1	BRACE\COVER\TUB\HD8
13	4800029	2	BOLT\HEX\3/8X2-1/2
14	4800034	57	BOLT\HEX\3/8X1-1/2
15	4800082	2	BOLT\HEX\1/2X1-1/2
16	4800114	4	BOLT\HEX\1/2X2
17	4800146	4	BOLT\HEX\3/8X2
18	4800178	7	BOLT\HEX\1/2X1-3/4
19	4800197	2	BOLT\HEX\3/8X3-1/2
20	4800515	1	BOLT\HEX\3/8X3-1/4\NC
21	4800564	1	BOLT\HEX\3/8X2-1/4
22	4800592	2	BOLT\HEX\1/2X3-1/4
23	4800632	2	*BOLT\HEX\1X8\NC\GR5\PLT
24	4800633	2	BOLT\HEX\1X5-1/2\NC\GR5\PLT
25	4900001	15	NUT\HEX\1/2\NC
26	4900002	67	NUT\HEX\3/8\NC
27	4900127	4	NUT\TPLCK\1\NC
28	5000001	124	WASH\FLAT\3/8
29	5000004	8	WASH\FLAT\1/2
30	5000006	15	WASH\LOCK\1/2
31	5000019	67	WASH\LOCK\3/8
32	7500635	2	CUSH\RBBR\7-3/4X2-7/16X2
33	7500858	1	GRMT\RBBR\2-1/4X2IDX1/4T

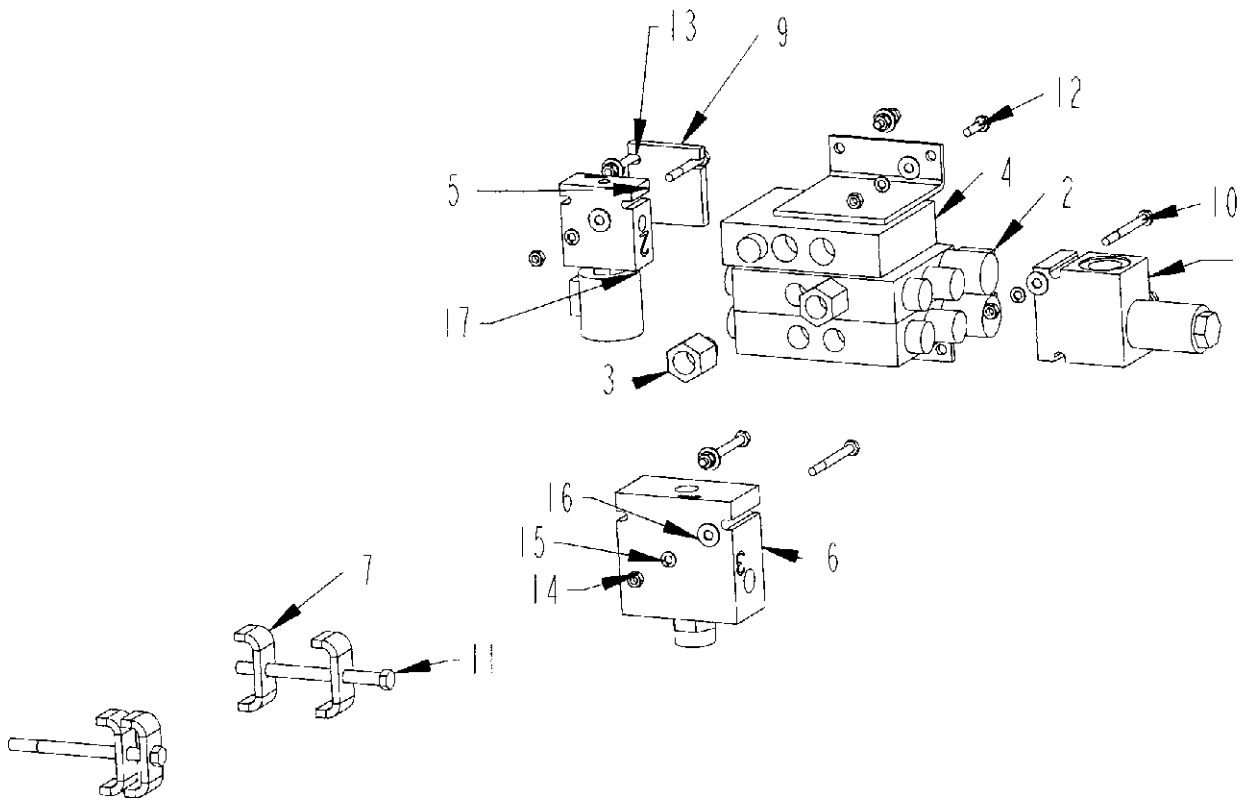
T U B COVER HYDRAULIC FITTINGS



T U B COVER HYDRAULIC FITTINGS

ITEM	PART	QTY.	PART DESCRIPTION
1	3800328	6	FTG\7/8MORX3/4MJIC\ADPT
2	3800477	1	FTG\3/4MORX3/4MJIC\ST
3	3800478	2	FTG\3/4MJIC3/4MJIC3/4FJICS\BR;TEE
4	3800484	5	FTG\3/4FJICSX3/4MJICX3/4MJIC\RUN;TEE
5	3800530	8	FTG\3/4MORX9/16MJIC\ST
6	3800536	3	FTG\1-1/16MORX3/4MJIC\90
7	3800696	2	FTG\7/8MORX3/4MJIC\90
8	4000123	1	VALVE\HYD\RELIEF\2500PSI\1-1/16FOR
9	4000174	4	SOL\HYD\12VDC\HYDRAFORCE
10	4000187	2	VALVE\HYD\F-CON\FREE-RVRS
11	4000198	1	VALVE\HYD\2SPL\12V\NO UNLOADER, NO RELIEF
12	4000214	1	VLV\HYD\SEL\12V\6GPM
13	4000215	1	VLV\HYD\FLOW;DVDR\2GPM
14	4702945	1	SPCR\VALVE\3/8\4000214
15	4000214	1	VLV\HYD\SEL\12V\6GPM
16	6MOR8MJIC90	2	FTG\9/16MORX3/4MJIC\90
17	6MOR8MJICST	1	FTG\9/16MORX3/4MJIC\ST
18	SOL_635_12V	1	SOL\HYD\12VDC\HYDRAFORCE
22	3800530	8	FTG\3/4MORX9/16MJIC\ST

TUB COVER VALVES



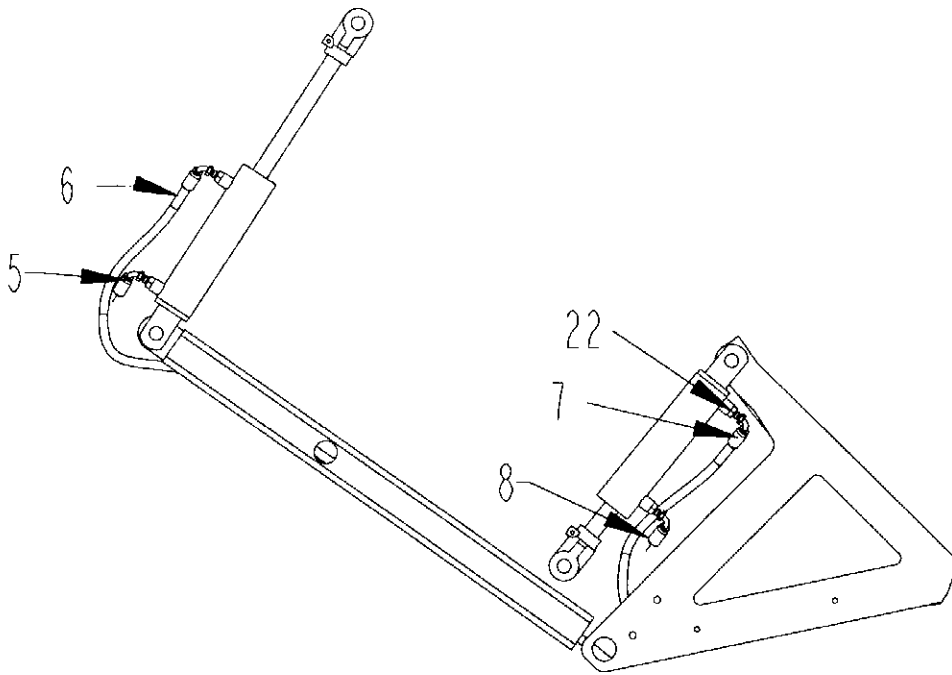
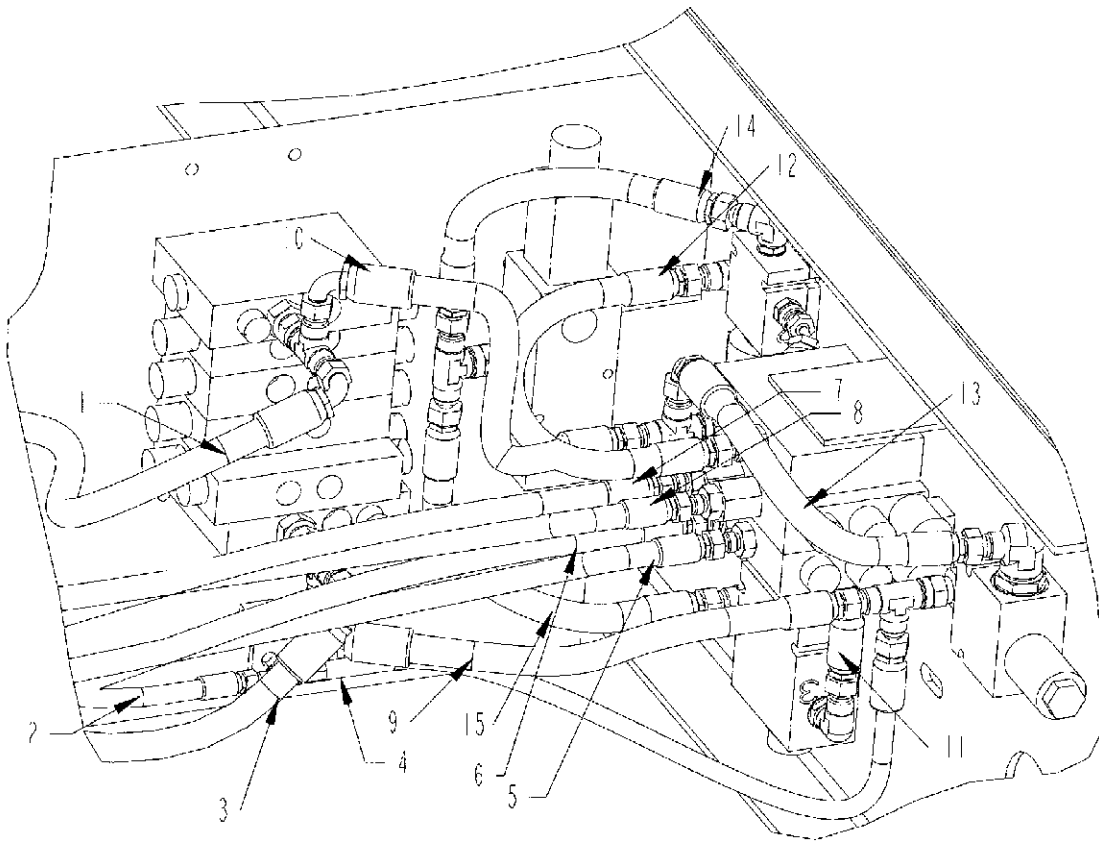
TUB COVER VALVES

ITEM	PART	QTY.	PART DESCRIPTION
1	4000123	1	VALVE\HYD\RELIEF\2500PSI\1-1/16\FOR
2	4000174	4	SOL\HYD\12VDC\HYDRAFORCE
3	4000187	2	VALVE\HYD\F-CON\FREE-RVRS
4	4000198	1	VALVE\HYD\2SPL\12V\NO UNLOADER, NO RELIEF
5	4000214	1	VL\HYD\SEL\12V\6GPM
6	4000215	1	VL\HYD\FLOW;DVDR\2GPM
7	4700776	4	CLMP\HOSE\3/8
8	4702731	1	COV\TUB\HD8
9	4702945	1	SPCR\VALVE\3/8\4000214
10	4800193	4	BOLT\HEX\1/4X2-3/4
11	4800202	2	BOLT\HEX\3/8X5
12	4800277	4	BOLT\HEX\1/4X1
13	4800507	2	BOLT\HEX\1/4X2-1/4\NC
14	4900009	10	NUT\HEX\1/4\NC
15	5000024	10	WASH\LOCK\1/4
16	5000035	10	WASH\FLAT\1/4
17	SOL_635_12V	1	SOL\HYD\12VDC\HYDRAFORCE

REPLACEMENT PARTS FOR 4000198

4000174	VALVE\HYD\SOL\12V\630\W;DIODE
4000176	VALVE\HYD\CART\WORK
4000225	SEAL\KIT\O-RING\VALVE for 4000198

TUB COVER HOSES



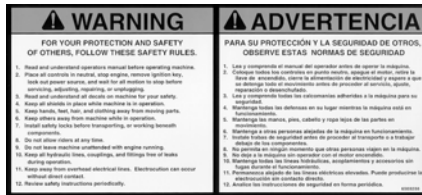
TUB COVER HOSES

ITEM	PART	QTY.	PART DESCRIPTION
1		1	HOSE 11_HD899
2		1	HOSE 18_HD899
3		1	HOSE 1_HD899
4		1	HOSE 40_HD899
5		1	HOSE 41_HD899
6		1	HOSE 42_HD899
7		1	HOSE 43_HD899
8		1	HOSE 44_HD899
9		1	HOSE 47_HD899
10		1	HOSE 51_HD899
11		1	HOSE 45_HD899
12		1	HOSE 46_HD899
13		1	HOSE 48_HD899
14		1	HOSE 49_HD899
15		1	HOSE 50_HD899
22	3800530	8	FTG\3/4MORX9/16MJIC\ST

DECALS



6500039



6500208



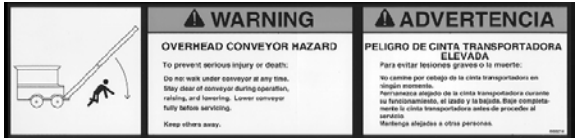
6500042



6500212



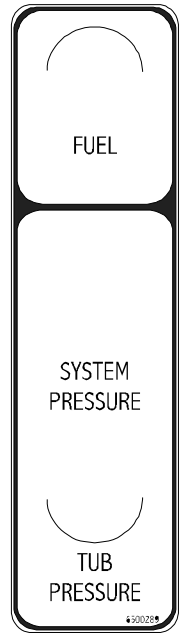
6500118



6500214



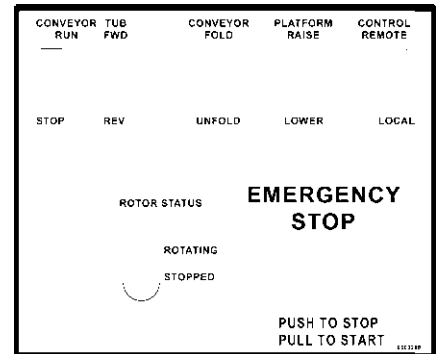
6500220



6500289

DIESEL FUEL

6500123



6500288

HYDRAULIC OIL

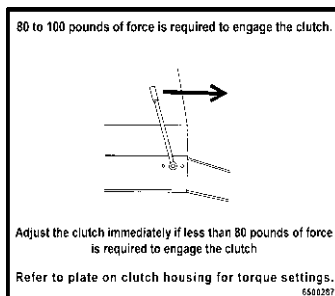
6500124



6500244

ENGINE SERVICE REPORT

- ___ Check engine oil level.
 - ___ Check engine coolant.
 - ___ Check batteries.
 - ___ Check air cleaner for obstructions.
 - ___ Check exhaust for obstructions.
- 6500132 6500132



6500287



6500290

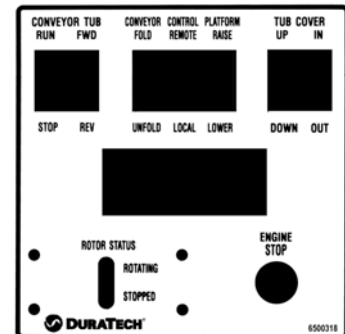
This kit includes the decals above numbered 1-2 for both the left and right sides of the HD-8



6500157



6500300



6500318

DECALS

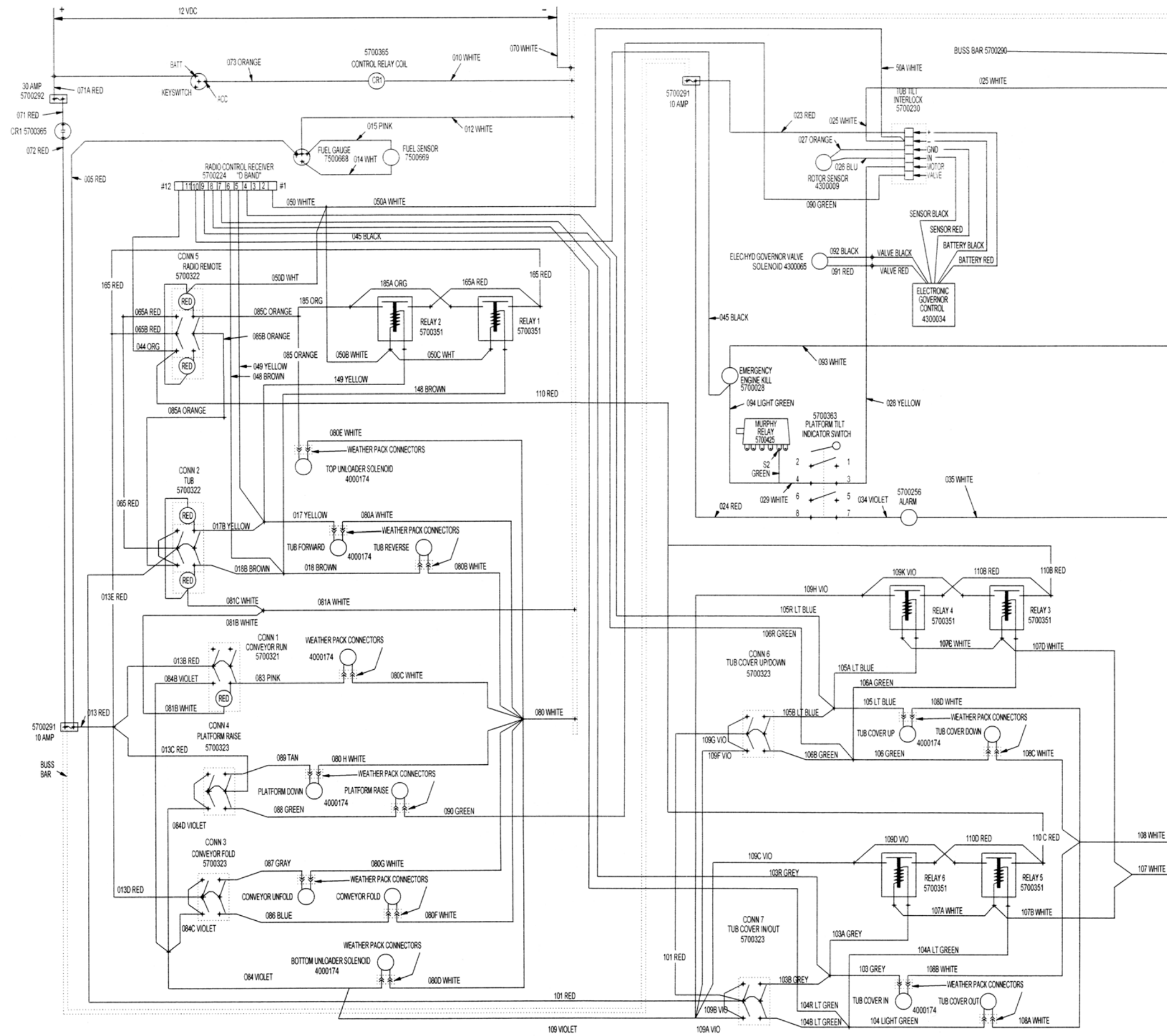
PART	QTY.	PART DESCRIPTION
6500309		DECAL\KIT\HD-8\V"
6500039	1	DECAL\INFO\S\NDURATECH
6500042	2	DECAL\WARN\KEEP;WHL;BLTS>
6500118	2	DECAL\DNGR\OBJECTS;THROWN
6500123	2	DECAL\INFO\DIESEL;FUEL
6500124	1	DECAL\INFO\HYD;OIL
6500132	1	DECAL\INFO\ENG;SERV
6500157	2	DECAL\LOGO\RECYCLE\SLV
6500208	1	DECAL\WARN\GENERAL
6500212	2	DECAL\WARN\ROTATING;PRT;>
6500214	2	DECAL\WARN\OVRHED;CNVYR;>
6500220	1	DECAL\WARN\HI;PRESS;FLUID
6500244	2	DECAL\LOGO\DURA\9\SLVR
6500245	8	DECAL\MISC\TAPE\RED\WHT\REF
6500267	1	DECAL\WARN\2\RED\REFCT
6500268	3	DECAL\WARN\2\AMBER\REFCT
6500287	2	DECAL\INFO\CLUTCH\TNSN>
6500288	1	DECAL\INFO\PNL\CNTRL\5SW
6500289	1	DECAL\INFO\PNL\GAUGE\HYD>
6500290	1	DECAL\LOGO\HD8\SERIESV>
6500300	16	DECAL\LOGO\5.8\STRIPE\SLV
6500318	1	DECAL\INFO\PNL\CNTRL\7SW
6500156	18.4 FT	DECAL\LOGO\2\STRIPE\SLV



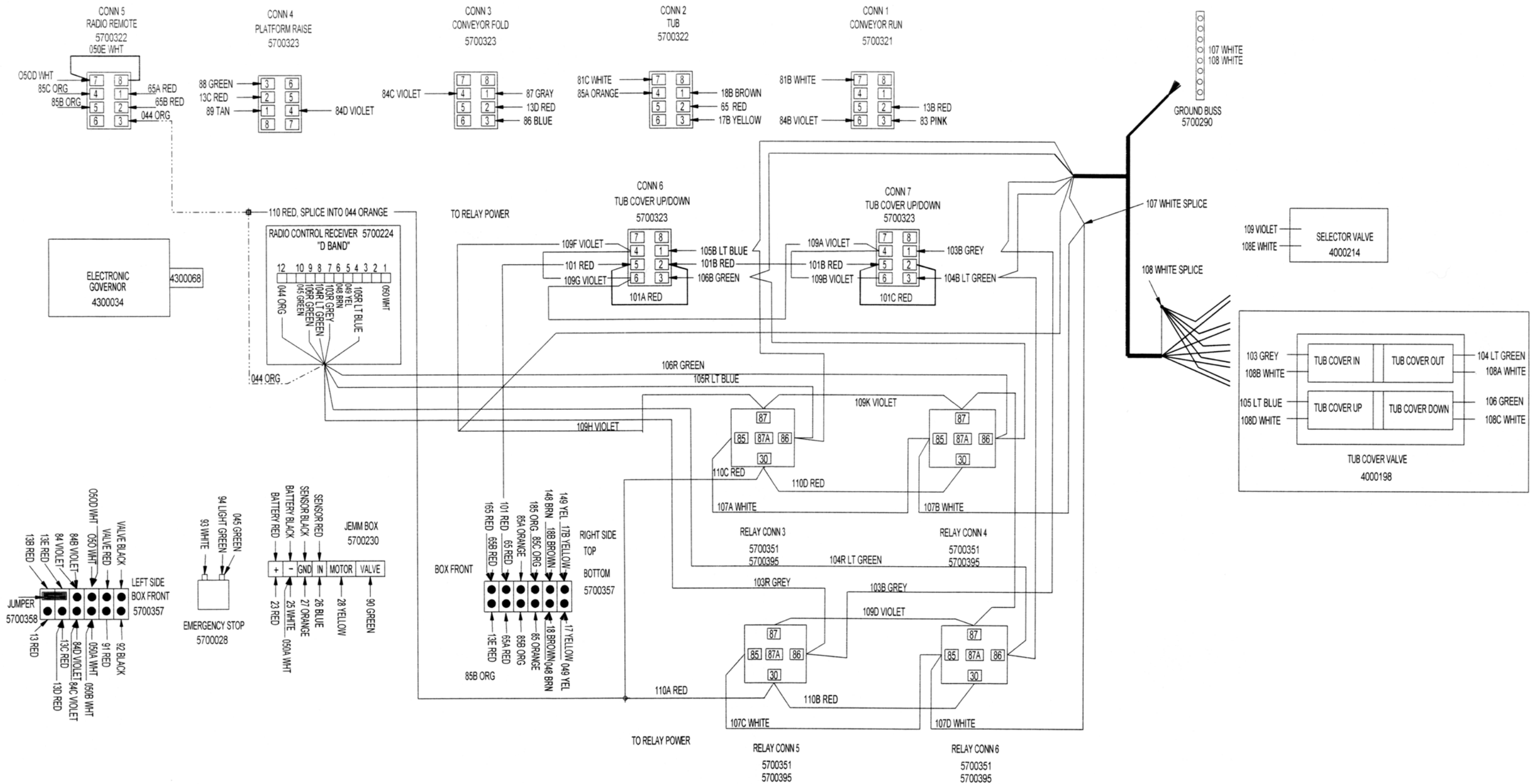


APPENDIX A: SCHEMATIC FOLDOUTS

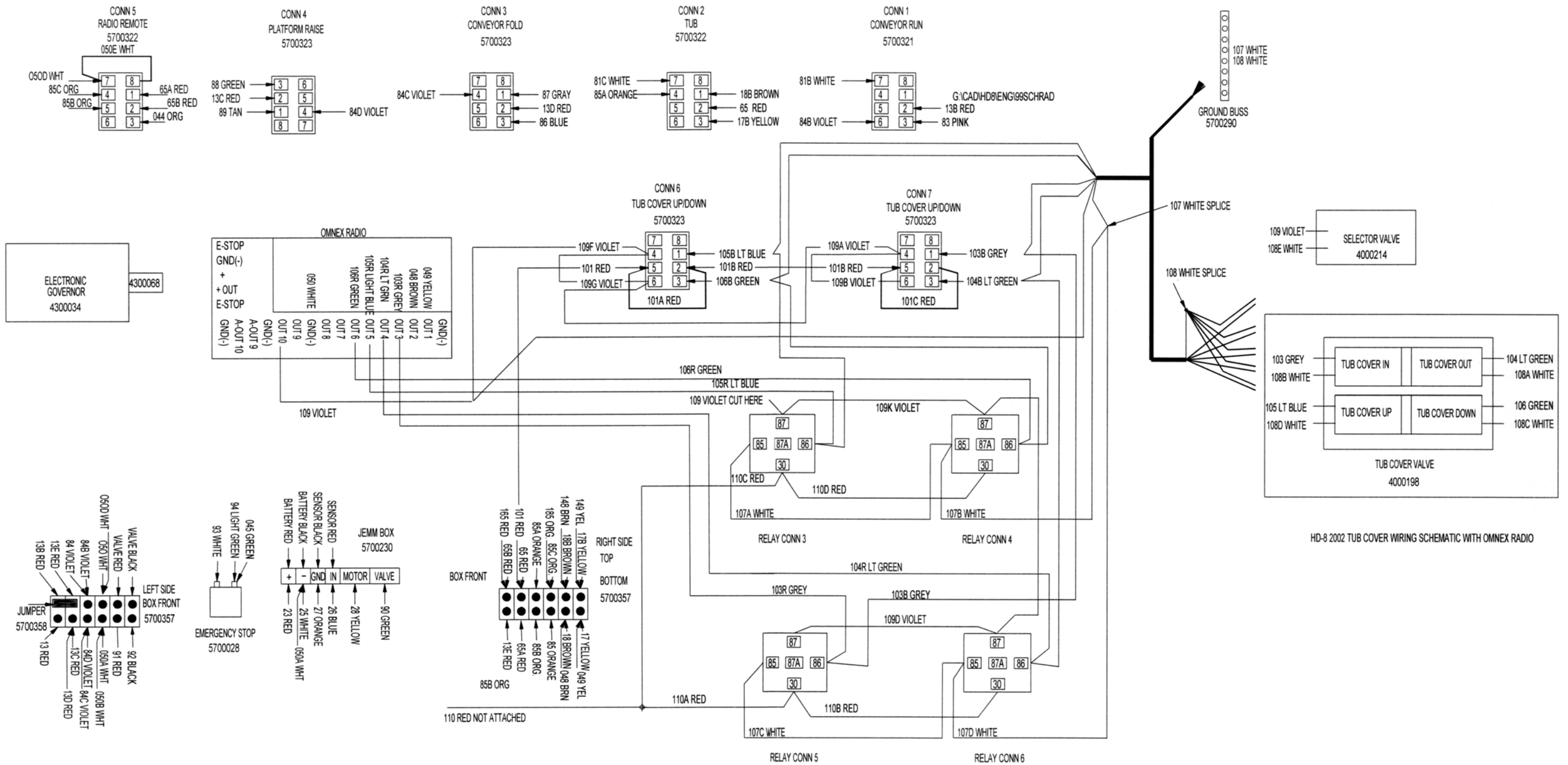
ELECTRICAL SCHEMATIC WITH TUB COVER OPTION - MICROTRONICS RADIO



TUB COVER HARNESS - MICROTRONICS RADIO



TUB COVER HARNESS - OMNEX RADIO



HD-8 2002 TUB COVER WIRING SCHEMATIC WITH OMNEX RADIO

TUB COVER HYDRAULIC SYSTEM SCHEMATIC

