



Manual 2: Parts Reference

4012TM

Tub Grinder



PRODUCT INFORMATION



0500112 • JULY 2016

DURATECH INDUSTRIES INTERNATIONAL INC.
PO BOX 1940, JAMESTOWN, ND 58402-1940
TEL: (701) 252-4601 • FAX: (701) 252-0502
WWW.DURATECHINDUSTRIES.NET • WWW.HAYBUSTER.COM



 **DURATECH[®]**
Clearing the Way for a Better Tomorrow




4012TM

Tub Grinder

Manual 2: Parts Reference

DuraTech Industries International Inc. (DuraTech) has made every effort to assure that this manual completely and accurately describes the operation and maintenance of the 4012TM Tub Grinders as of the date of publication. DuraTech reserves the right to make updates to the machine from time to time. Even in the event of such updates, you should still find this manual to be appropriate for the safe operation and maintenance of your unit.

This manual, as well as materials provided by component suppliers to DuraTech are all considered to be part of the information package. Every operator is required to read and understand these manuals, and they should be located within easy access for periodic review.

 **DURATECH**® is a registered trademark of Duratech Industries International, Inc. 4012 is a trademark of Duratech Industries International, Inc.



 **DURATECH[®]**
Clearing the Way for a Better Tomorrow



FOREWORD



Foreword

All personnel must read and understand before operating unit

DuraTech Industries International Inc. (DuraTech Industries) has made every effort to assure that this manual completely and accurately describes the operation and maintenance of this Industrial Grinder as of the date of publication. DuraTech Industries reserves the right to make updates to the machine from time to time. Even in the event of such updates, you should still find this manual to be appropriate for the safe operation and maintenance of your machine.

This manual, as well as materials provided by component suppliers to DuraTech Industries are all considered to be part of the information package. Every operator is required to read and understand these manuals. All manuals should be located within easy access for troubleshooting and periodic review.

Appropriate use of the unit

This Industrial Grinder is designed to grind wood waste and other materials, including: grass clippings, leaves, pallets, construction and demolition debris, tree branches and tree trunks.

It is **NOT** designed to grind rocks, steel, concrete, or the like.

Operator protection

As with all machinery, care needs to be taken by the operator in order to insure the safety of the operator and those in the surrounding area.



WARNING: Operators and those observing the operation of the Industrial Grinder are required to wear head, eye, and ear protection. No loose clothing is allowed.



TABLE OF CONTENTS

Manual 2: Parts Reference 1

MAIN FRAME ASSEMBLY - ROTOR WEAR PLATES 2

MAIN FRAME ASSEMBLY - ROTOR PLATES, SCREEN LATCHES & TUB PINS 4

MAIN FRAME ASSEMBLY - WALKWAYS (S.N. UP TO 40-2-FJ-0136) 6

MAIN FRAME ASSEMBLY - WALKWAYS (S.N. 40-2-FJ-0137 AND UP) 8

MAIN FRAME ASSEMBLY - PLATFORM STEPS 10

MAIN FRAME ASSEMBLY - WALKWAY RAILING 12

MAIN FRAME ASSEMBLY - MUD FLAPS & BUSHINGS 14

MAIN FRAME ASSEMBLY - DRIVELINE GUARD 16

MAIN FRAME ASSEMBLY - FRONT ROTARY SCREEN WALKWAYS
(S.N. UP TO 40-2-FJ-0136) 18

MAIN FRAME ASSEMBLY - SERVICE LADDER 20

MAIN FRAME ASSEMBLY - HOPPER ENCLOSURE WITH SEALS
(S.N. UP TO 40-2-FJ-0136) 22

AXLE AND TIRES 24

PLATFORM ASSEMBLY - MOUNTING PLATFORM TO FRAME 26

PLATFORM ASSEMBLY - SCREEN WEAR PLATES 28

PLATFORM ASSEMBLY - TWINE GUARDS 30

PLATFORM ASSEMBLY - FLOOR SCREEN 32

PLATFORM ASSEMBLY - TUB & PRESSURE ROLLER 34

PLATFORM ASSEMBLY - TUB DRIVE 36

PLATFORM ASSEMBLY - TUB DRIVE TRAIN SHIELD S.N. UP TO 127 38

PLATFORM ASSEMBLY - TUB DRIVE TRAIN SHIELD S.N. 128 AND UP 40

PLATFORM ASSEMBLY - TUB ROLLER SHIELD 42

PLATFORM ASSEMBLY - ROLLER SHIELDS 44

PLATFORM ASSEMBLY - DOORS & COVERS 46

PLATFORM ASSEMBLY - PRESSURE ROLLER ASSEMBLY 48

PLATFORM ASSEMBLY - TUB ROLLER ASSEMBLY 50

TUB ASSEMBLY 52

TUB ASSEMBLY- NARROWED TUB 54

ROTOR ASSEMBLY 56

ROTOR ASSEMBLY - ROTOR BEARING 58

ROTOR ASSEMBLY - FIXED HAMMER ASSEMBLY 60

BELLY CONVEYOR ASSEMBLY - BELT SCRAPER 62

BELLY CONVEYOR ASSEMBLY - SCRAPER ASSEMBLY 64

BELLY CONVEYOR ASSEMBLY - BELT PULLEY S.N. 101 - 110 66

BELLY CONVEYOR ASSEMBLY - BELT PULLEY S.N. 111 & UP 68

BELLY CONVEYOR ASSEMBLY - BELT DRIVE PULLEY 70

BELLY CONVEYOR ASSEMBLY - BELT DRIVE MOTOR 72

BELLY CONVEYOR ASSEMBLY - CONVEYOR BELT & BELLY PAN 74



TABLE OF CONTENTS

BELLY CONVEYOR ASSEMBLY - ADJUSTABLE BELT SEAL	76
BELLY CONVEYOR ASSEMBLY - EDGE SEAL	78
BELLY CONVEYOR ASSEMBLY - SIDE PLATES & BELT SEAL	80
BELLY CONVEYOR ASSEMBLY - FRONT SEAL ASSEMBLY	82
BELLY CONVEYOR ASSEMBLY - CONVEYOR COVER S.N. UP TO 127	84
BELLY CONVEYOR ASSEMBLY - CONVEYOR COVER S.N. 128 AND UP	86
BELLY CONVEYOR ASSEMBLY - CHUTES S.N. UP TO 127	88
BELLY CONVEYOR ASSEMBLY - CHUTES S.N. 128 AND UP	90
BELLY CONVEYOR ASSEMBLY - CONVEYOR PIN	92
BELLY CONVEYOR ASSEMBLY - CHUTE ASSEMBLY	94
SWING ARM ASSEMBLY	96
SWING FRAME SHIELD ASSEMBLY - S.N. 101 & UP	98
DISCHARGE CONVEYOR SHIELD ASSEMBLY - S.N. 101 & UP	100
LOWER DISCHARGE CONVEYOR ASSEMBLY	102
DISCHARGE CONVEYOR - ROLLER & BELT ADJUSTER	104
DISCHARGE CONVEYOR - BELT DRIVE MOTOR	106
DISCHARGE CONVEYOR - RUBBER BUMPER	108
DISCHARGE CONVEYOR - DISCHARGE ASSEMBLY	110
CONTROL PANEL FRAME ASSEMBLY (FOR S.N. UP TO 40-2-15-0145)	112
BOTTOM CONTROL PANEL ASSEMBLY (FOR S.N. UP TO 40-2-15-0145)	114
TOP CONTROL PANEL ASSEMBLY (FOR S.N. UP TO 40-2-FJ-137)	116
TIER-3 TOP CONTROL PANEL ASSEMBLY (FOR S.N. UP TO 40-2-15-0145)	118
CONTROL PANEL ASSEMBLY(FOR S.N. 40-2-16-0146 AND UP)	120
REAR AUXILIARY CONTROL PANEL	124
ENGINE COMPARTMENT ASSEMBLY - CLUTCH, PUMPS & MOTOR MOUNTS - 650 HP ENGINE	126
ENGINE COMPARTMENT ASSEMBLY - CLUTCH, PUMPS & MOTOR MOUNTS - 860 HP ENGINE	128
ENGINE COMPARTMENT ASSEMBLY - CLUTCH, PUMPS RADIATOR & MOTOR MOUNTS - 950 HP ENGINE	130
ENGINE COMPARTMENT ASSEMBLY - AIR FILTER & MUFFLER - 650 HP ENGINE	132
ENGINE COMPARTMENT ASSEMBLY - AIR FILTER & MUFFLER - 860 HP ENGINE	134
ENGINE COMPARTMENT ASSEMBLY - AIR FILTER & MUFFLER - 950 HP ENGINE	136
ENGINE COMPARTMENT ASSEMBLY - RADIATOR AND FAN 650 HP & 860 HP ENGINES	138
ENGINE COMPARTMENT ASSEMBLY - GULL WING DOORS 650 HP AND 860 HP ENGINES	140



TABLE OF CONTENTS

ENGINE COMPARTMENT ASSEMBLY - HYDRAULIC RADIATORS - 650 HP AND 860 HP ENGINES	142
ENGINE COMPARTMENT ASSEMBLY - ENGINE SIDE DOORS - LH 650 HP AND 860 HP ENGINES	144
ENGINE COMPARTMENT ASSEMBLY - ENGINE SIDE DOORS - RH 650 HP AND 860 HP ENGINES	146
950 HP - SHROUD ASSEMBLY	148
950 HP - SHROUD ASSEMBLY - DETAILS A & B	149
950 HP - SHROUD ASSEMBLY - DETAILS C & D	150
950 HP - SHROUD FRONT DOOR ASSEMBLY	152
950 HP - LEFT HAND ENGINE DOOR	154
950 HP - RIGHT HAND ENGINE DOOR	156
ENGINE COMPARTMENT ASSEMBLY - ROTOR SCREEN CLEANER (S.N. UP TO 40-2-FJ-0136)	158
ROTARY SCREEN ASSEMBLY - FALLING DEBRIS SHIELDS (S.N. UP TO 40-2-FJ-0136)	160
ROTARY SCREEN ASSEMBLY - MOUNTING ARM (S.N. UP TO 40-2-FJ-0136)	162
ROTARY SCREEN ASSEMBLY (S.N. UP TO 40-2-FJ-0136)	164
ROTARY SCREEN ASSEMBLY - DRIVE MOTOR (S.N. UP TO 40-2-FJ-0136)	168
ROTARY SCREEN ASSEMBLY - GUIDE BEARINGS (S.N. UP TO 40-2-FJ-0136)	170
BATTERY BOX ASSEMBLY	172
950 HP BATTERY BOX ASSEMBLY	174
FUEL TANK ASSEMBLY	176
HYDRAULIC OIL TANK ASSEMBLY	178
950 HP - HYDRAULIC OIL TANK ASSEMBLY	180
CONVEYOR HYDRAULIC CIRCUIT	182
HYDRAULIC PARTS - TUB VALVE 4000207	183
HYDRAULIC PARTS - AUXILIARY VALVE 4000210	184
HYDRAULIC PARTS - MANIFOLD BLOCK VALVE 4000211	185
HYDRAULIC CONVEYOR VALVE (4000212)	186
HYDRAULIC PARTS - TUBE CLAMP ASSEMBLIES	187
ORBIT MOTOR	188
HYDRAULIC CYLINDER SEALS AND OTHER ITEMS	190
950 HP - DISCHARGE & BELLY CONVEYOR HYDRAULICS	192
950 HP - SWING & PLATFORM HYDRAULICS	194
950 HP - LIFT & FOLD HYDRAULICS	196
950 HP - MANIFOLD BLOCK HYDRAULICS	198
950 HP - PRESSURE GUAGES	200
950 HP - CLUTCH, LOAD SENSE, AUXILLARY PUMP	202
950 HP - CLUTCH TANK	204



TABLE OF CONTENTS

950 HP - CONVEYOR VALVES	206
950 HP - TUB DRIVE	208
950 HP - RADIATOR	210
950 HP - HYDRAULIC TANK HYDRAULICS	212
950 HP - LOADER HYDRALICS VIEW #1	214
950 HP - LOADER HYDRALICS VIEW #2	216
HYDRAULIC PARTS - TUB DRIVE AND AUXILIARY	219
HYDRAULIC PARTS - HYDRAULIC TANK	220
HYDRAULIC PARTS - HYDRAULIC COOLER	221
HYDRAULIC PARTS - HYDRAULIC PUMP ASSEMBLY	222
HYDRAULIC PARTS - AUXILIARY VALVE SUPPLY HOSES	223
HYDRAULIC PARTS - AUXILIARY VALVE	224
HYDRAULIC PARTS - PLATFORM CYLINDER	225
HYDRAULIC PARTS - MANIFOLD BLOCKS	226
HYDRAULIC PARTS - LIFT AND FOLD CYLINDERS	227
HYDRAULIC PARTS - SWING CYLINDER	228
HYDRAULIC PARTS - TUB DRIVE	229
HYDRAULIC PARTS - PRESSURE GAUGES	230
HYDRAULIC PARTS - TANK RETURN CIRCUIT WITHOUT LOADER	231
HYDRAULIC PARTS - TANK AIR PRESSURE LINE	232
HYDRAULIC PARTS - TUB AND AUXILIARY PARTS LIST	233
HYDRAULIC PARTS - CONVEYOR SYSTEM	236
HYDRAULIC PARTS - DISCHARGE CONVEYOR MOTOR	237
HYDRAULIC PARTS - BELLY CONVEYOR MOTOR	238
HYDRAULIC PARTS - CONVEYOR PUMP	239
HYDRAULIC PARTS - CONVEYOR VALVES	240
HYDRAULIC PARTS - CONVEYOR TANK	241
HYDRAULIC PARTS - ROTATING SCREEN MOTOR AND VALVE	242
CONVEYOR HYDRAULIC PARTS LIST	243
HYDRAULIC PARTS - CLUTCH	245
HYDRAULIC PARTS - CLUTCH AND PUMP	246
HYDRAULIC PARTS - CLUTCH TANK	247
HYDRAULIC PARTS - CLUTCH COOLER	248
HYDRAULIC PARTS - CLUTCH	249
HYDRAULIC PARTS - CLUTCH TANK PARTS	250
950 HP - HYDRAULIC PARTS - CLUTCH TANK PARTS	251
HYDRAULIC PARTS - CLUTCH FILTER PARTS	252
HYDRAULIC PARTS - "HOOD LOADER"	253
HYDRAULIC PARTS - LOADER PUMP	254
HYDRAULIC PARTS - LOADER PILOT PRESSURE	255
HYDRAULIC PARTS - LOADER TANK	256
HYDRAULIC PARTS - LOADER	257
HYDRAULIC PARTS - LOADER TANK DETAILED	258



TABLE OF CONTENTS

MAIN WIRING HARNESS - CONTROL PANEL	260
MAIN WIRING HARNESS - MACHINE	260
MAIN WIRING HARNESS - CONTROL PANEL & MACHINE	260
MAIN POWER WIRING HARNESS - 5700364	261
ORIGINAL CLUTCH WIRING HARNESS	262
CLUTCH WIRING HARNESS - 5700540	263
CLUTCH BULKHEAD #3 WIRING HARNESS - 5700812	264
OMNEX RADIO WIRING HARNESS - 5700509	266
R160 RADIO WIRING HARNESS - 5700771	267
TAIL LIGHT WIRING HARNESS - 5700521	268
LOADER SCHEMATIC	269
PANEL/REMOTE SWITCH WIRING - 5700522	270
PANEL/REMOTE COMBINATION HARNESS	271
RADIO LADDER - 5700509	272
RADIO HARNESS R160 - 5700771	273
POWER HARNESS, 1 RELAY - 5700775	274
POWER HARNESS, 2 RELAYS - 5700776	275
CATERPILLER ENGINE TIER 3 CONTROL PANEL JUMPER - 5700777	276
POWER HARNESS - 5700786	277
GRAPPLE LOADER POWER HARNESS - 5700787	278
MACHINE SENSOR WIRING HARNESS - 5700790	279
HPTO 3 BULKHEAD HARNESS - 5700812	280
HPTO 3 BULKHEAD HARNESS - 5701149	281
UNIVERSAL AIR BRAKE PARTS	282
STANDARD AIR BRAKES	284
AUSTRALIAN AIR BRAKES	290
ABS AIRBRAKES	296
MILL COVER ASSEMBLY (OPTION)	302
TUB COVER ASSEMBLY (OPTION)	304
TUB COVER ASSEMBLY (OPTION) - HYDRAULICS	306
TUB COVER ASSEMBLY (OPTION) - PLATFORM ASSIST CYLINDER	308
HYDRAULIC JACK PARTS	310
HYDRAULIC JACKS - CYLINDERS & VALVES	312
HYDRAULIC JACKS - AUXILLARY & JACK VALVE SUPPLY HOSE	314
AIR COMPRESSOR ASSEMBLY (OPTION)	316
860 HP ENGINE - AIR COMPRESSOR SCHEMATIC	318
TUB AGITATOR ASSEMBLY (OPTION)	320
MAGNETIC ROLLER ASSEMBLY THRU SN 0115 (OPTION)	322
MAGNETIC ROLLER ASSEMBLY SN 0116 AND UP (OPTION)	324
TOOL BOX ASSEMBLY (OPTION)	326
PACKAGE TOOL BOX ASSEMBLY (FOR S.N. UP TO 40-2-FJ-136)	328
SCREEN RACK ASSEMBLY (OPTION)	330



TABLE OF CONTENTS

PACKAGE TOOL BOX ASSEMBLY (STANDARD) (FOR S.N. 40-2-FJ-137 & UP)	332
ELECTRIC HAMMER ROD PULLER (OPTION)	334
ELECTRIC HAMMER ROD PULLER SCHEMATIC (OPTION)	336
HYDRAULIC HAMMER ROD PULLER (OPTION)	338
HYDRAULIC HAMMER ROD PULLER SCHEMATIC (OPTION)	340
CAB LOADER PARTS (OPTION) - AIR CONDITIONER COMPRESSOR	342
CAB LOADER PARTS (OPTION) - AIR CONDITIONER-COMPRESSOR BRACKET ASSEMBLY	344
CAB LOADER PARTS (OPTION) - CAB	346
CAB SWITCHES AND GAUGES	348
4012 GRAPPLE STOP	350
CAB LOADER (OPTION) - LADDER ASSEMBLY (FOR S.N. UP TO 40-2-FJ-137)	352
CAB LOADER (OPTION) - LADDER ASSEMBLY (FOR S.N. 40-2-FJ-138 & UP)	354
OMNEX RADIO REMOTE CONTROL	356
DECALS	358
4012 WEAR PARTS	360
4012 LUBRICATION INFORMATION	361
4012 DOCUMENTATION COMMENT FORM	363
APPENDIX A SCHEMATIC FOLDOUTS	365
TUB HYDRAULIC CIRCUIT	FO-1
TUB COVER AND HYDRAULIC JACK HYDRAULIC CIRCUITS	FO-2
MAIN WIRING HARNESS - CONTROL PANEL (5700516)	FO-3
MAIN WIRING HARNESS - MACHINE (5700516)	FO-4
MAIN WIRING HARNESS - SCHEMATIC (5700516)	FO-5
MAIN SWITCH WIRING HARNESS - CONTROL PANEL (5700517)	FO-6
MAIN SWITCH WIRING HARNESS - MACHINE (5700517)	FO-7
MAIN SWITCH WIRING HARNESS - SCHEMATIC (5700517)	FO-8
LOADER CAB (5700518)	FO-9
LOADER WIRING HARNESS	FO-10
WIRING SCHEMATIC FOR HARNESS 5700522	FO-11
8000 LOADER LADDER	FO-12
WIRING COMBINATIONS FOR RADIO AND LOADER OPTIONS	FO-13
LOADER WIRING HARNESS - 5700698	FO-14
MAIN WIRING HARNESS - CONTROL PANEL (5700758)	FO-15
LOADER WIRING HARNESS - CONTROL PANEL (5700763)	FO-16
LOADER HARNESS - ENGINE (5700764)	FO-17
MAIN SWITCH WIRING HARNESS - (5700789)	FO-18



TABLE OF CONTENTS



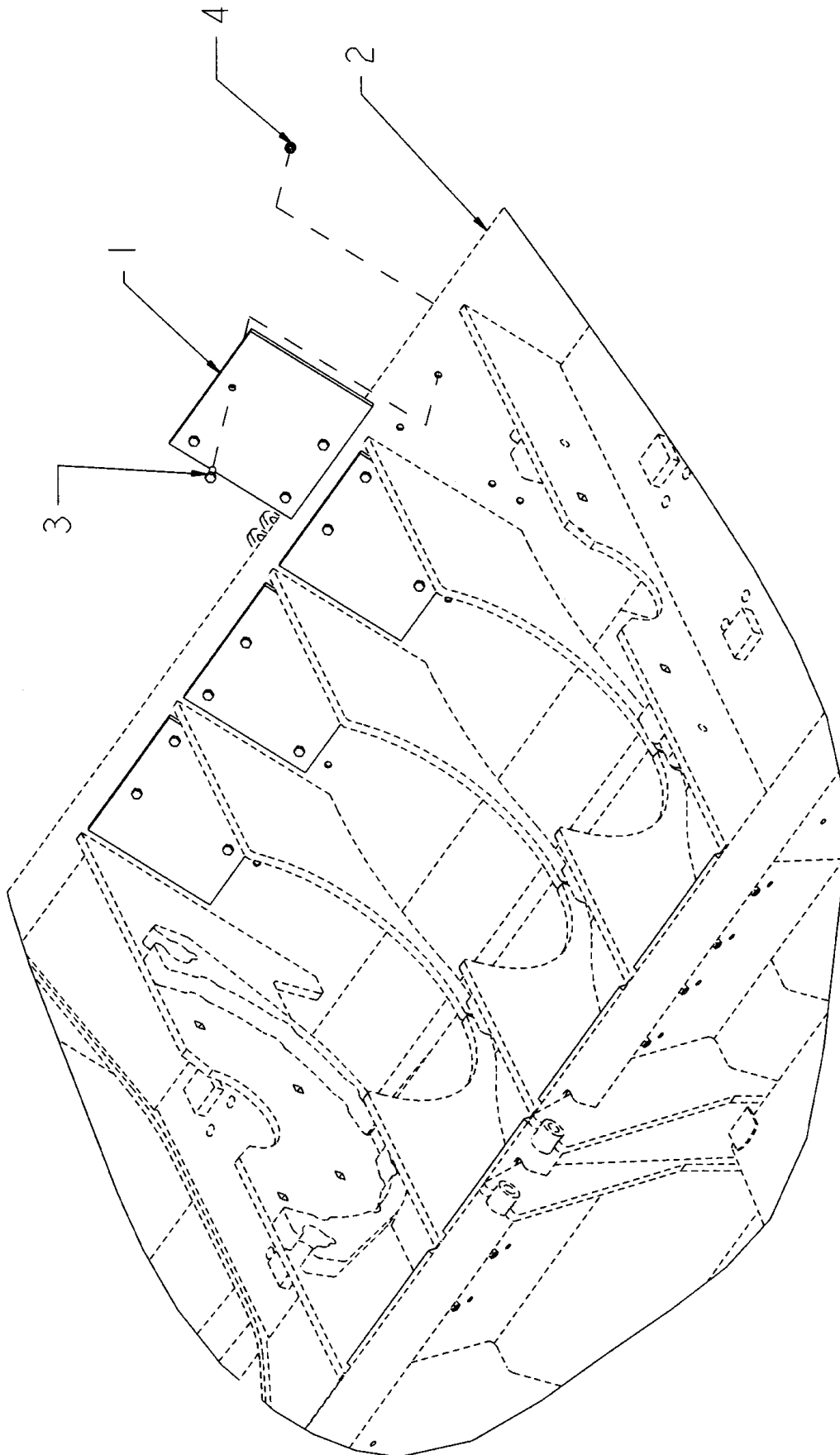


4012TM

Industrial Tub Grinder

**Manual 2:
Parts Reference**

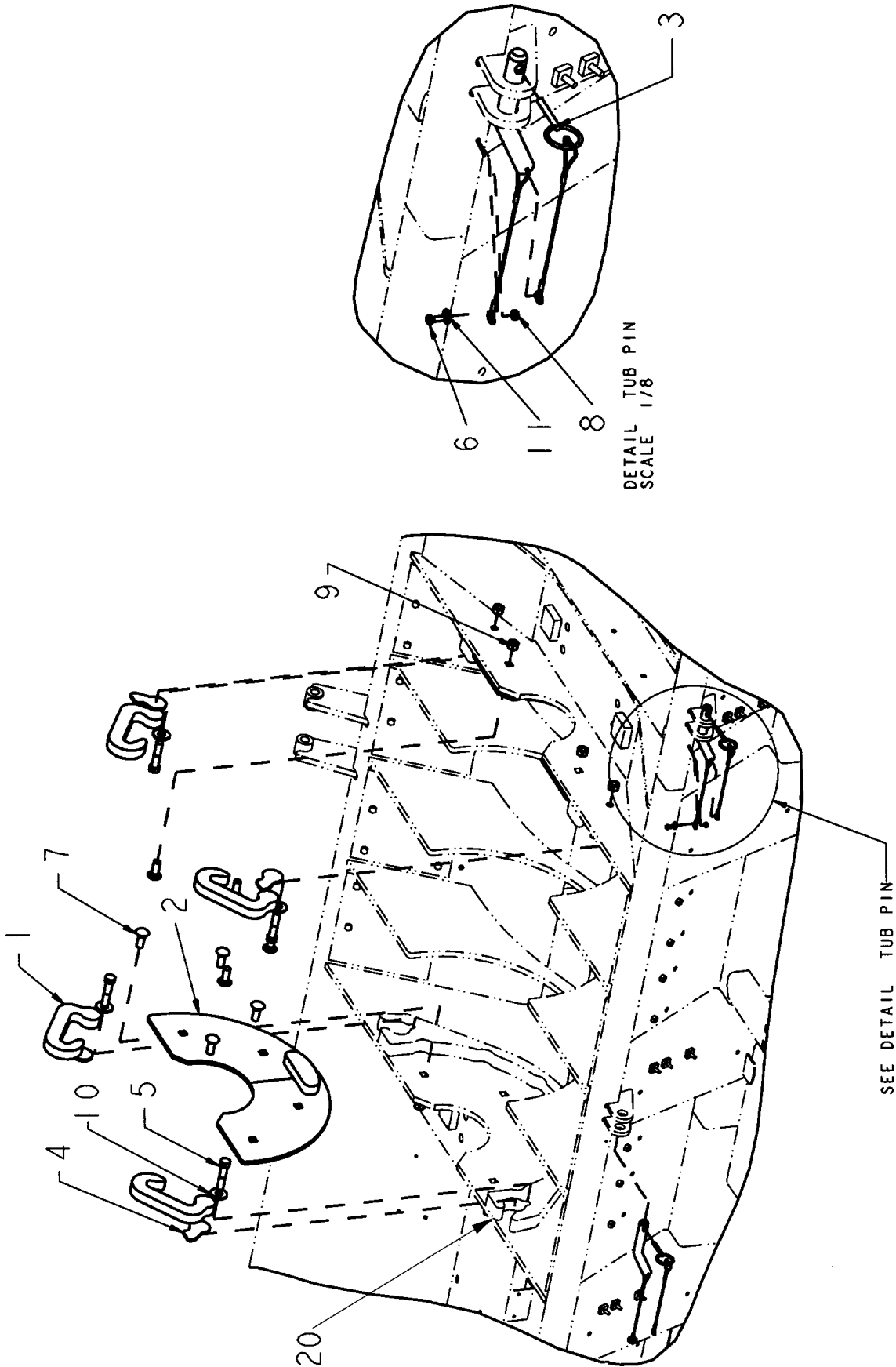
MAIN FRAME ASSEMBLY - ROTOR WEAR PLATES



MAIN FRAME ASSEMBLY - ROTOR WEAR PLATES

ITEM	PART	QTY.	PART DESCRIPTION
1	4703239	8	PLWEAR\CYLINDER
2	4703278	1	FRAMEMAIN\ASY4012
3	4800018	32	BOLT\HEX\1/2X1-1/4
4	4900014	32	NUT\TPLCK\1/2\NC

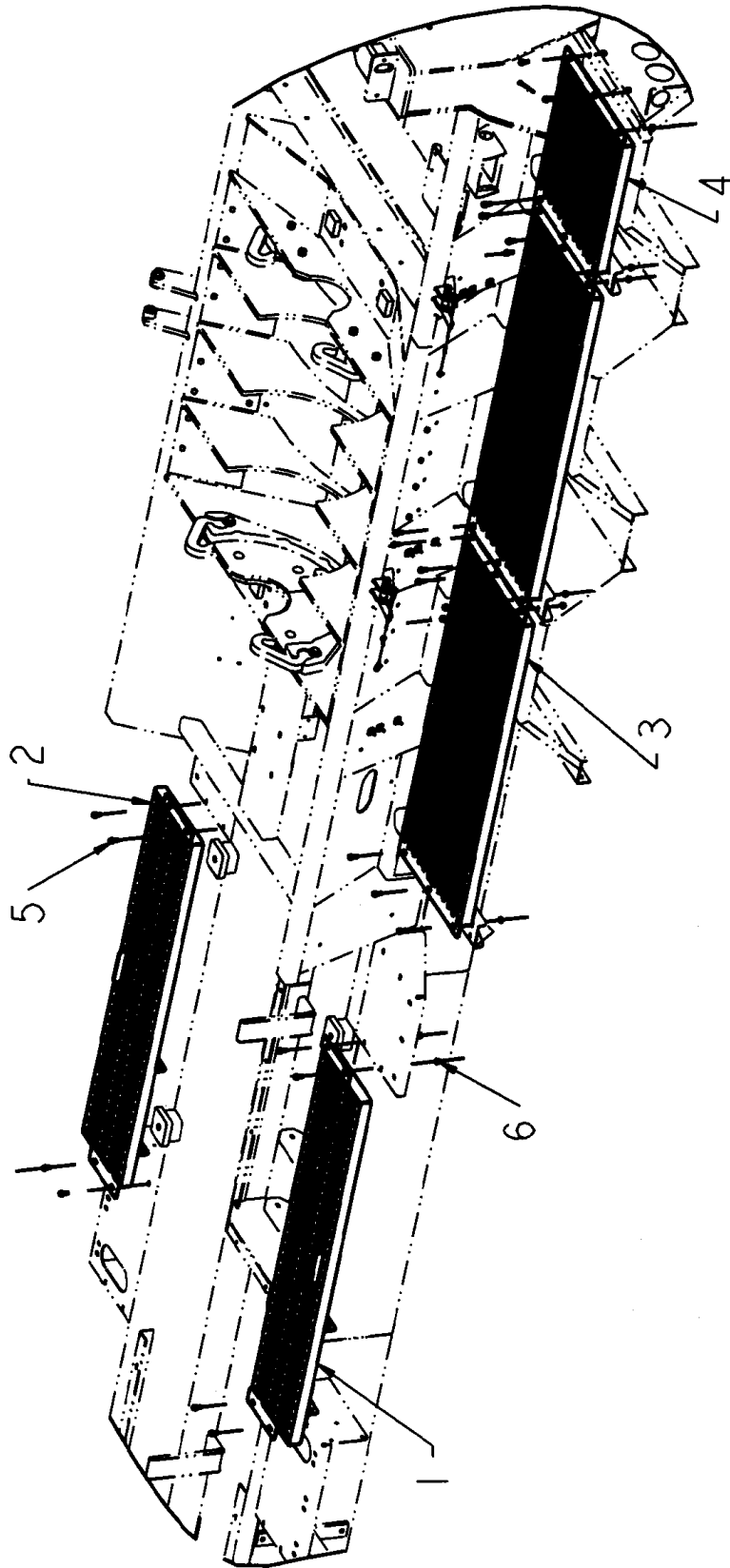
**MAIN FRAME ASSEMBLY - ROTOR PLATES, SCREEN
LATCHES & TUB PINS**



**MAIN FRAME ASSEMBLY - ROTOR PLATES, SCREEN
LATCHES & TUB PINS**

ITEM	PART	QTY.	PART DESCRIPTION
1	4703237	4	LTCH\SCREEN\RTR
2	4703597	2	PL\WEAR\END\RTR\4012
3	4703619	2	PIN\ASY\PLATFORM
4	4703623	4	PL\SPCR\LTCH\SCREEN\RTR
5	4800011	4	BOLT\HEX\3/4X3-1/2
6	4800024	2	BOLT\HEX\1/4X3/4
7	4800654	8	BOLT\CRG\3/4X2\NC\GR5
8	4900084	2	NUT\TPLCK\1/4\NC
9	4900139	12	NUT\TPLCK\3/4\GR8\NC
10	5000005	4	WASH\FLAT\3/4
11	5000035	2	WASH\FLAT\1/4
20	D1014645	4	SUP\SCR\ROTOR

**MAIN FRAME ASSEMBLY - WALKWAYS
(S.N. UP TO 40-2-FJ-0136)**



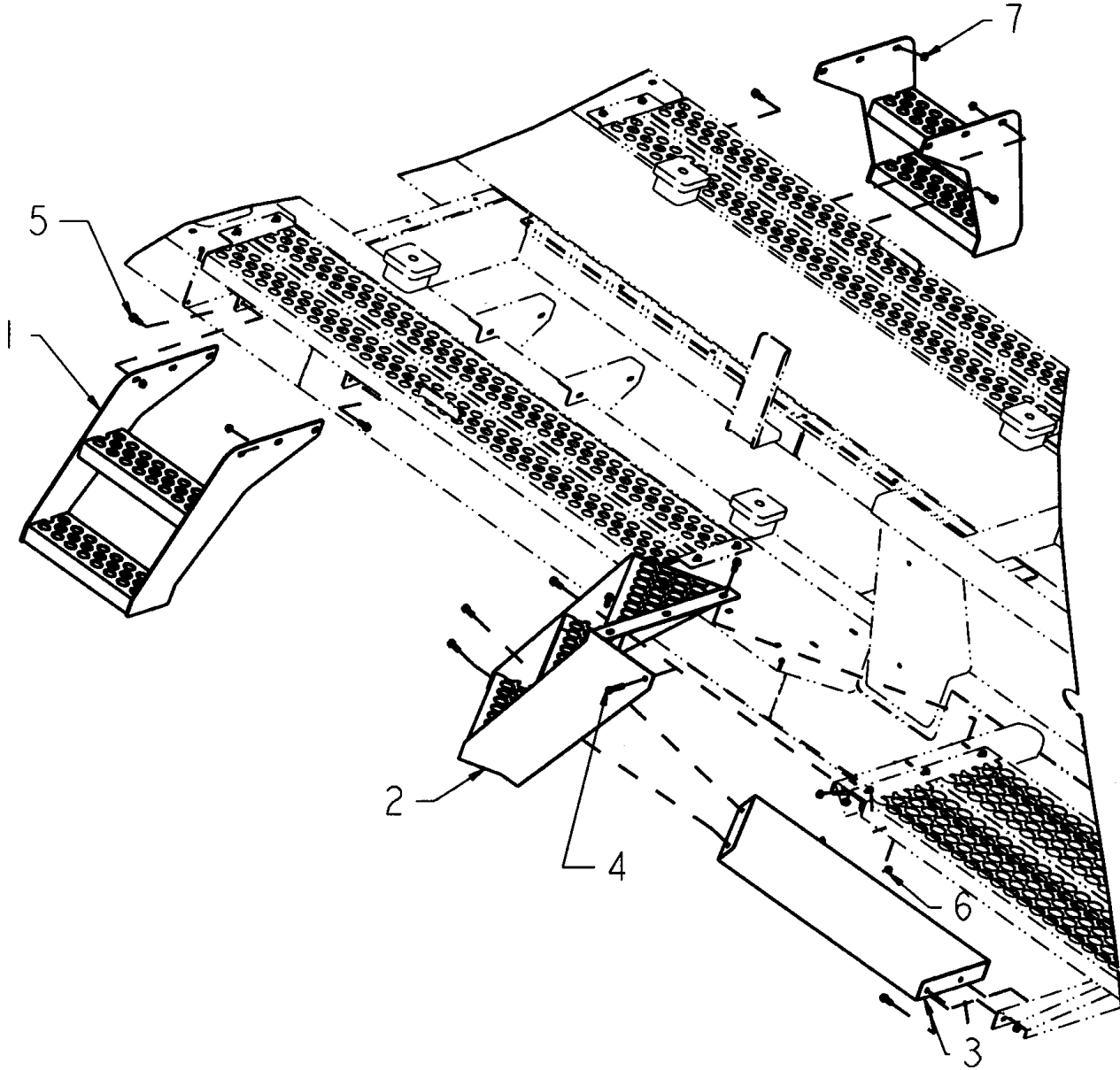
**MAIN FRAME ASSEMBLY - WALKWAYS
(S.N. UP TO 40-2-FJ-0136)**

ITEM	PART	QTY.	PART DESCRIPTION
1	4703138	1	WALKWAYENG
2	4703143	1	DECK\SERV\ENGINE\RH
3	4703337	2	DECK\SRV\TR
4	4703338	1	DECK\SRV\TR
5	4800913	26	BOLT\FLG\SERR\3/8X1\NC
6	4900109	26	NUT\FLG\TPLCK\3/8\NC

**MAIN FRAME ASSEMBLY - WALKWAYS
(S.N. 40-2-FJ-0137 AND UP)**

ITEM	PART	QTY.	PART DESCRIPTION
1	4400066	2	GAUGE\FLTR\25PSI\1/8NPT
2	4703337	2	DECK\SRV\RTR
3	4703338	1	DECK\SRV\RTR
4	4704910	1	FRAME\MAIN\WELD\4012\2010 DESIGN
5	4704911	1	DECK\SERV\RAD
6	4704914	1	DECK\SERV\OILTANK
7	4704930	1	DECK\TNK\FUEL
8	4704932	1	BRKT\GAUGE\FLTR
9	4704936	1	WALKWAY\ENGLH
10	4704937	1	DECK\SERV\ENGINE\RH
11	4704938	1	BOX\BATTERY\ASSY
12	4704943	1	BOX\TOOL\ASSY
13	4800913	42	BOLT\FLG\SERR\3/8X1\NC
14	4900109	50	NUT\FLG\TPLCK\3/8\NC

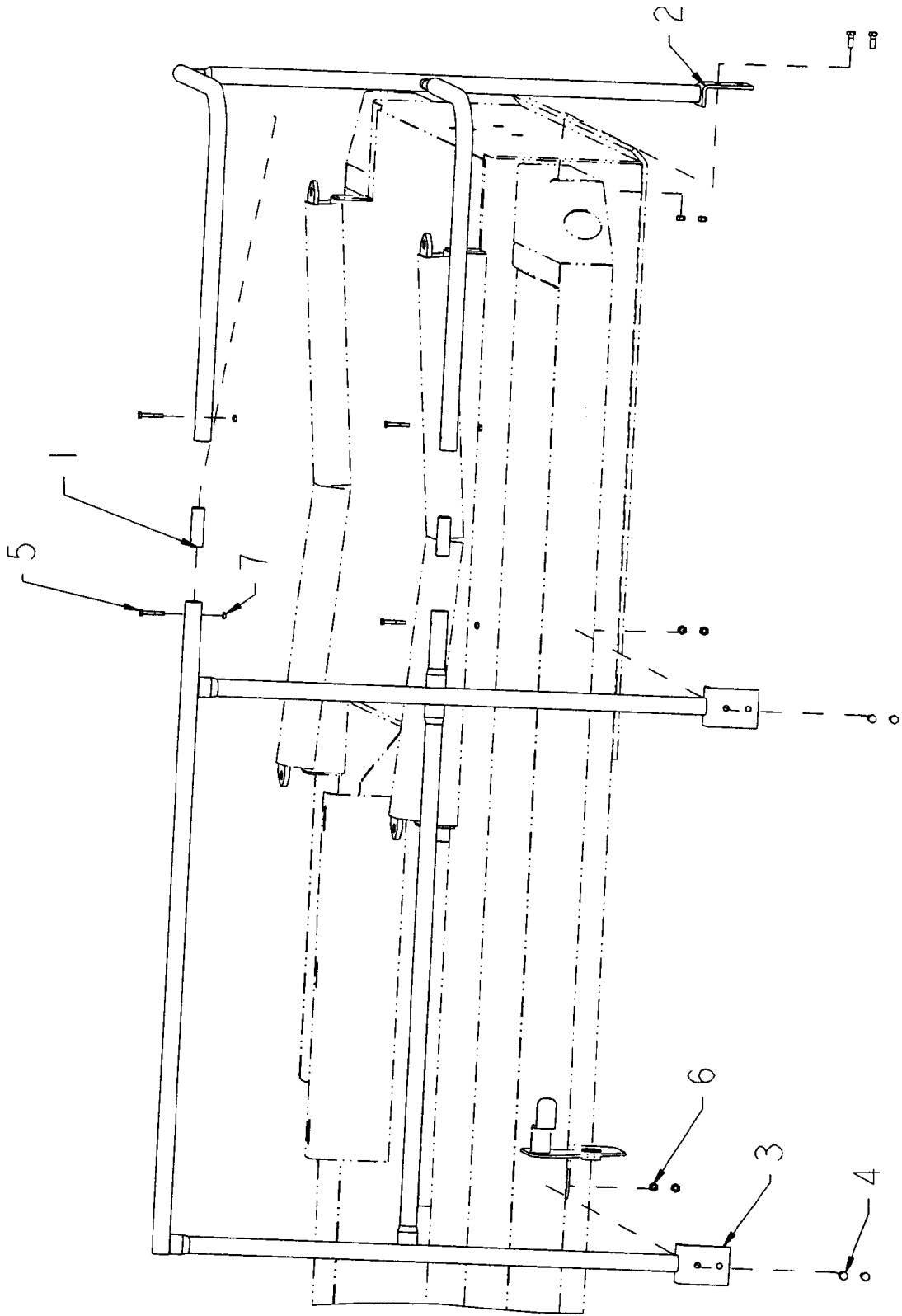
MAIN FRAME ASSEMBLY - PLATFORM STEPS



MAIN FRAME ASSEMBLY - PLATFORM STEPS

ITEM	PART	QTY.	PART DESCRIPTION
1	4703140	2	STEPWALKWAY\ENGINE
2	4703339	1	STEP\SERVWALKWAY
3	4703625	1	BRC\ASY\STEP
4	4800564	1	BOLT\HEX\3/8X2-1/4
5	4800913	22	BOLT\FLG\SERR\3/8X1\NC
6	4900023	1	NUT\TPLCK\3/8\NC
7	4900109	22	NUT\FLG\TPLCK\3/8\NC

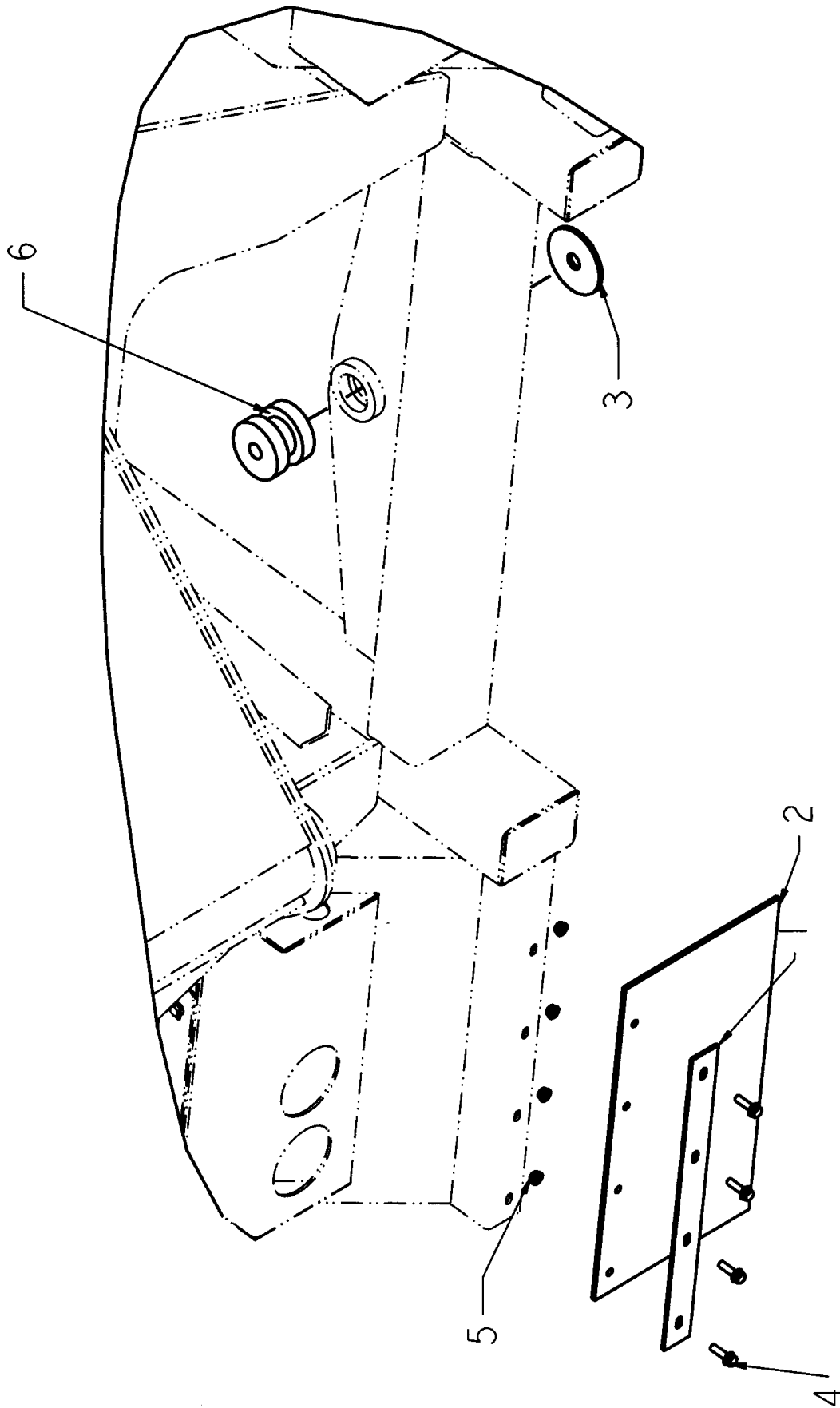
MAIN FRAME ASSEMBLY - WALKWAY RAILING



MAIN FRAME ASSEMBLY - WALKWAY RAILING

ITEM	PART	QTY.	PART DESCRIPTION
1	4701642	2	CPLR\RAIL\HAND
2	4701883	1	RAIL\HAND\CORNER
3	4703267	1	RAIL\HAND\SIDE\56-7/8"
4	4800003	6	BOLT\HEX\3/8X1
5	4800506	4	BOLT\HEX\1/4X1-3/4\NC
6	4900023	6	NUT\TPLCK\3/8\NC
7	4900084	4	NUT\TPLCK\1/4\NC

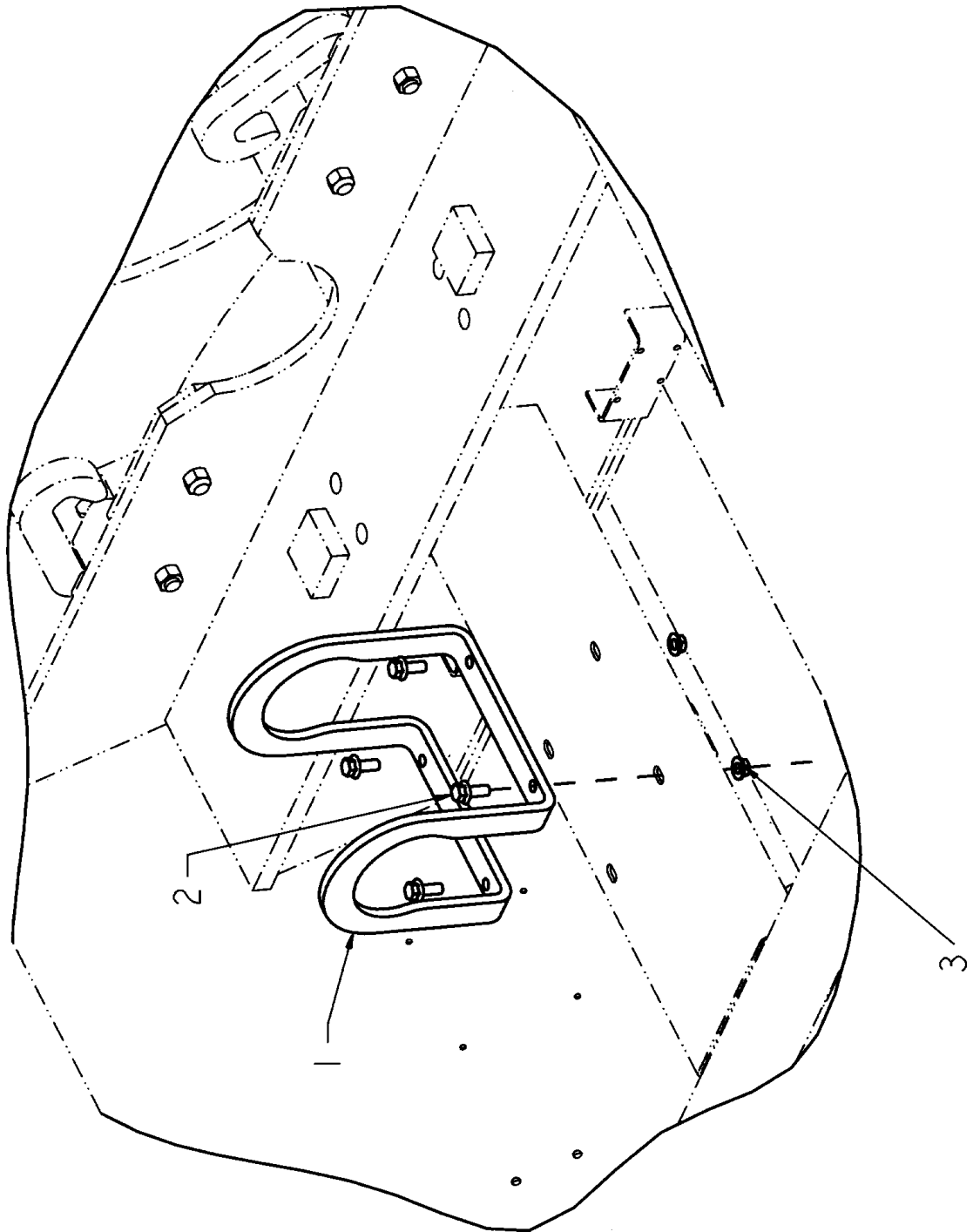
MAIN FRAME ASSEMBLY - MUD FLAPS & BUSHINGS



MAIN FRAME ASSEMBLY - MUD FLAPS & BUSHINGS

ITEM	PART	QTY.	PART DESCRIPTION
1	4701609	2	BRKT\FLAP\MUD
2	4701771	2	FLAP\MUD\22-1/2X12X1/4
3	4703181	1	WASH\SNUB\MNT
4	4800914	8	BOLT\FLG\SERR\3/8X1-1/4\NC
5	4900109	8	NUT\FLG\TPLCK\3/8\NC
6	7501063	1	CUSH\RBBR\3-1/2ODX2-7/8\0.94 BOLT HOLE

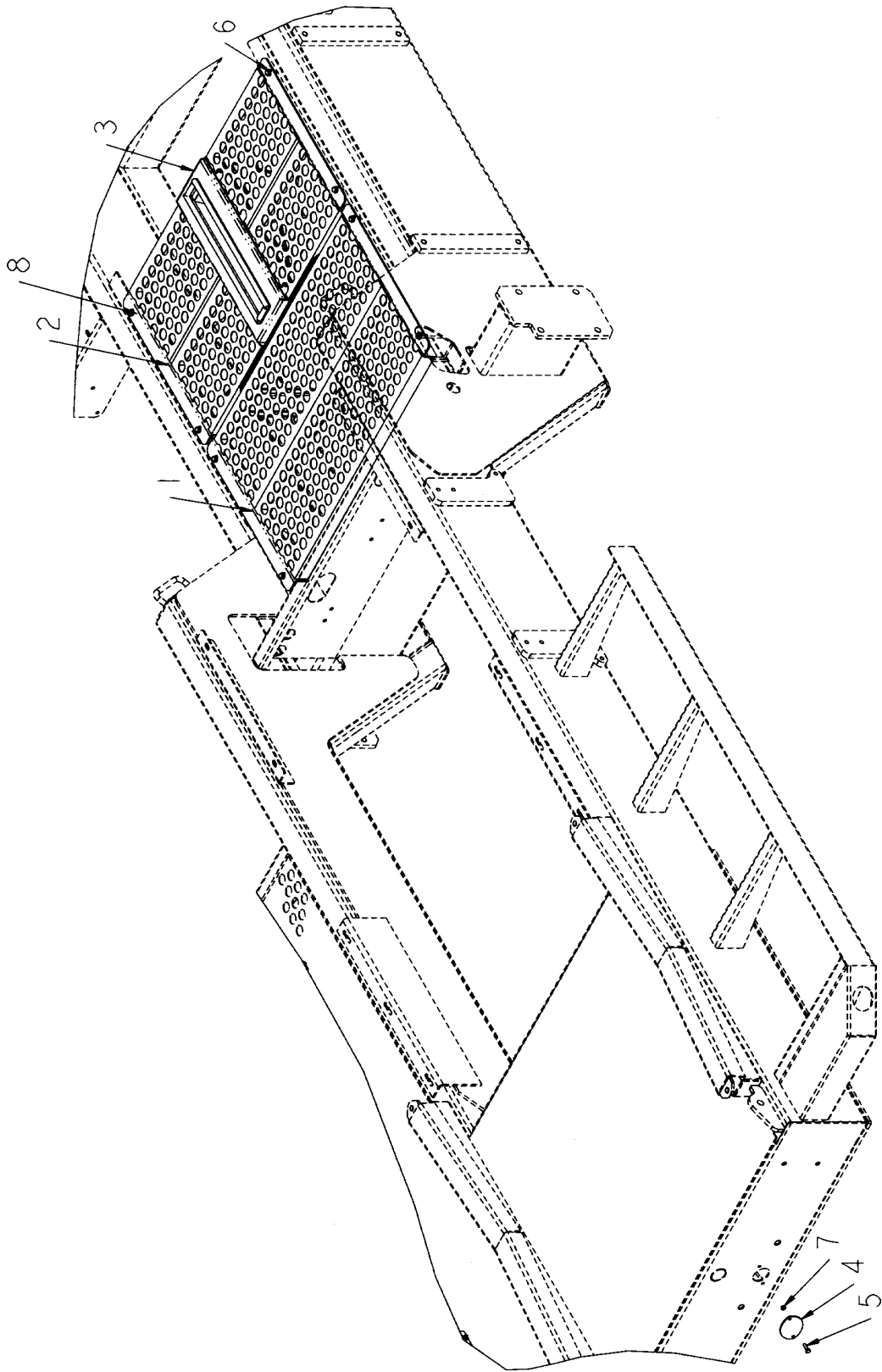
MAIN FRAME ASSEMBLY - DRIVELINE GUARD



MAIN FRAME ASSEMBLY - DRIVELINE GUARD

ITEM	PART	QTY.	PART DESCRIPTION
1	4703172	1	LOOP\SAFETY\DRIVELINE\12" for 650HP
	4703400		LOOP\SAFETY\DRIVELINE\8" for 860 HP option
2	4800928	4	BOLT\FLG\SERR\1/2X1-1/4\NC
3	4900100	4	NUT\FLG\TPLCK\1/2\NC

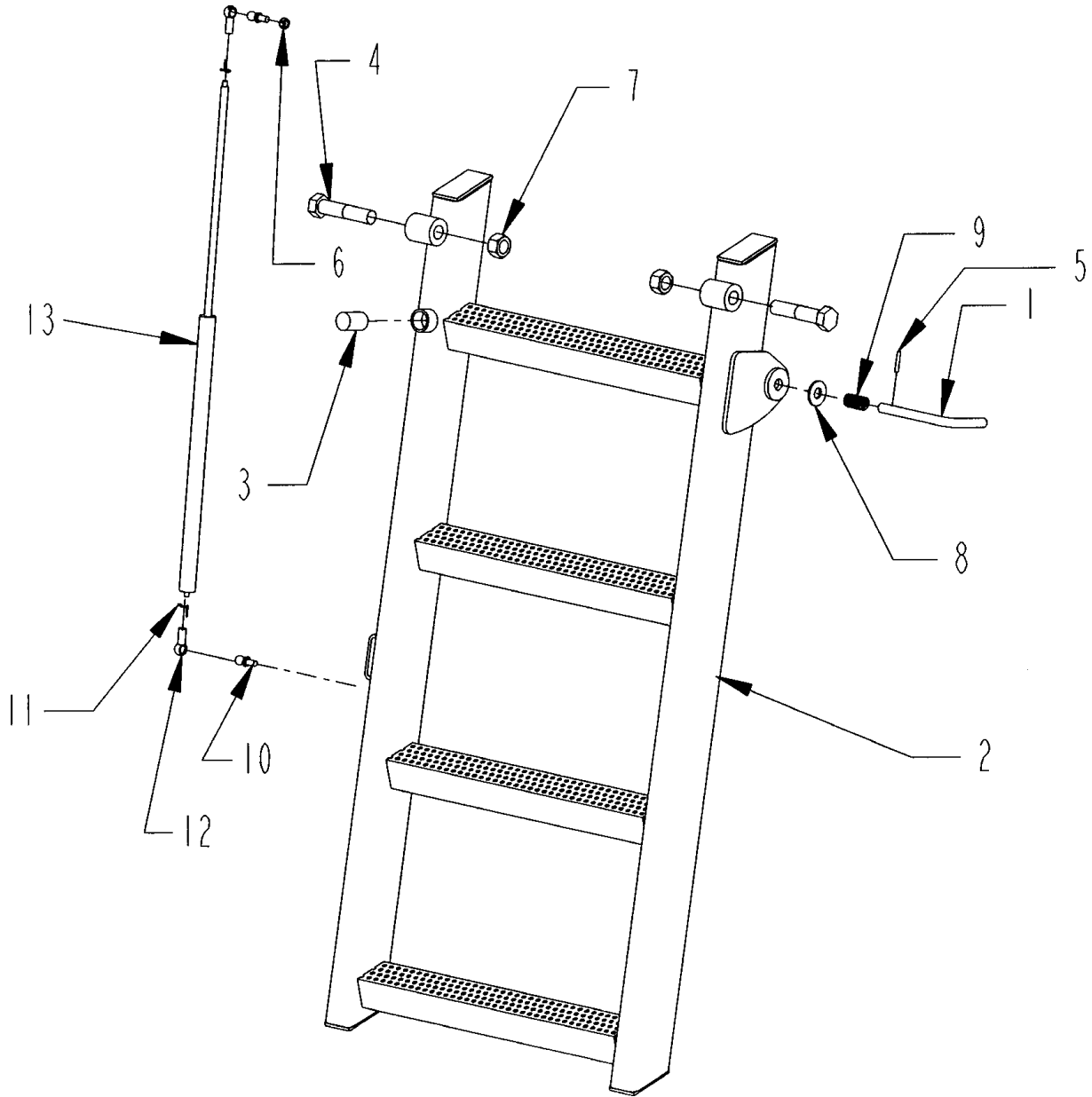
**MAIN FRAME ASSEMBLY - FRONT ROTARY SCREEN
WALKWAYS (S.N. UP TO 40-2-FJ-0136)**



**MAIN FRAME ASSEMBLY - FRONT ROTARY SCREEN
WALKWAYS (S.N. UP TO 40-2-FJ-0136)**

ITEM	PART	QTY.	PART DESCRIPTION
1	4703182	1	DECK\SERV\RAD
2	4703183	1	DECK\SERV\RAD
3	4703813	1	ENCL\HPPR\FIXED\CLEANOUT\ASSY See "HOPPER ENCLOSURE"
4	4704051	1	CVR\WIRE
5	4800013	2	BOLT\HEX\5/16X1
6	4800913	12	BOLT\FLG\SERR\3/8X1\NC
7	4900099	2	NUT\TPLCK\5/16\GR8\NC
8	4900109	8	NUT\FLG\TPLCK\3/8\NC

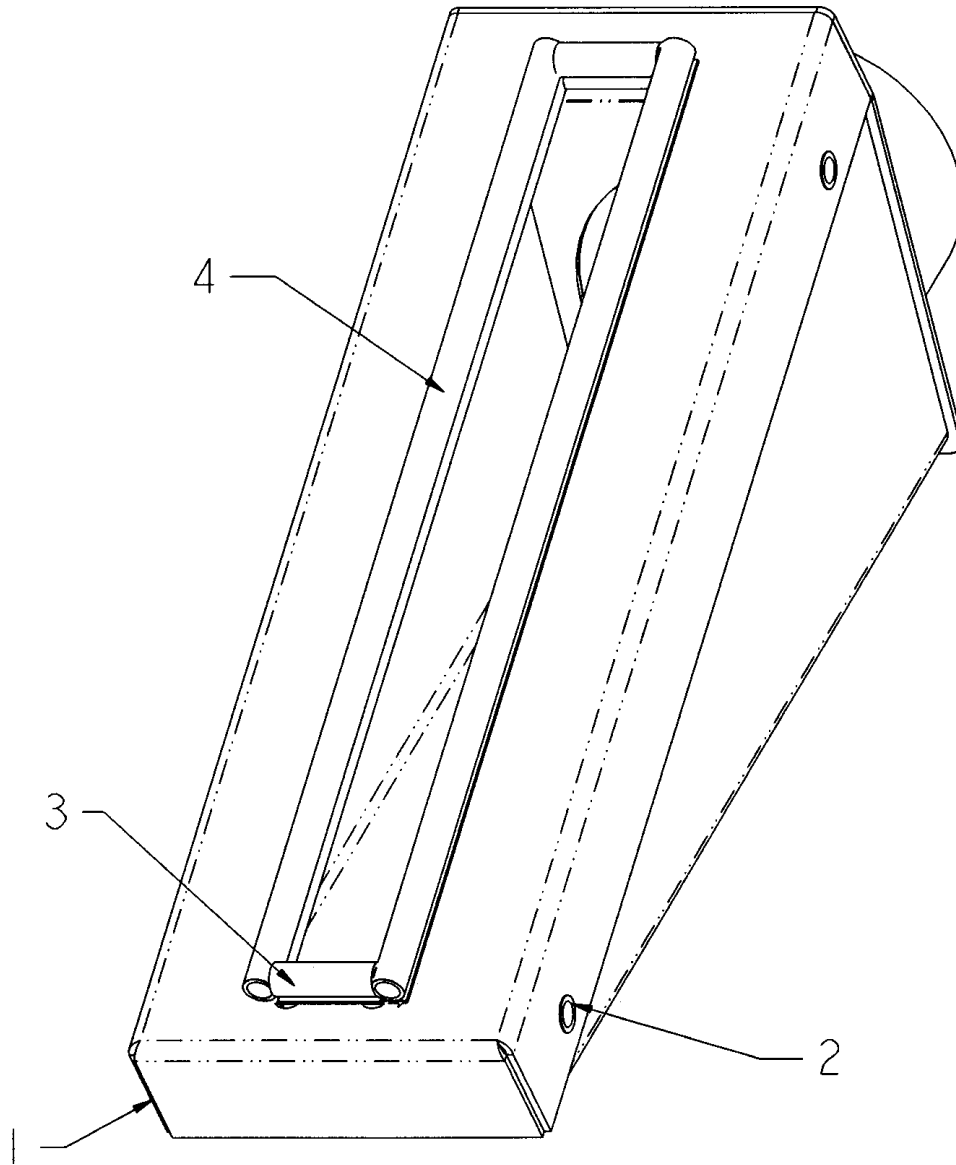
MAIN FRAME ASSEMBLY - SERVICE LADDER



MAIN FRAME ASSEMBLY - SERVICE LADDER

ITEM	PART	QTY.	PART DESCRIPTION
1	4702534	1	PIN\LOCK\PNL\CNTRL
2	4703268	1	LDDR\ASY\SERVICE\4012
3	4703290	1	STPR\LDDR\SERVICE
4	4800011	2	BOLT\HEX\3/4X3-1/2
5	4800456	1	PIN\RLLD\3/16X1-1/8
6	4900099	2	NUT\TPLCK\5/16\GR8\NC
7	4900139	2	NUT\TPLCK\3/4\GR8\NC
8	5000004	1	WASH\FLAT\1/2
9	6100050	1	SPG\COMP\.775OD\.08WD
10	7500345	2	BALL STUD
11	7500346	2	SAFETY CLIP
12	7500583	2	END FITTING\GAS SPRING
13	7501090	1	SPRNG\GAS\100LB\9416K22
	4703269		PL\MNT\LDDR\SERVICE\4012

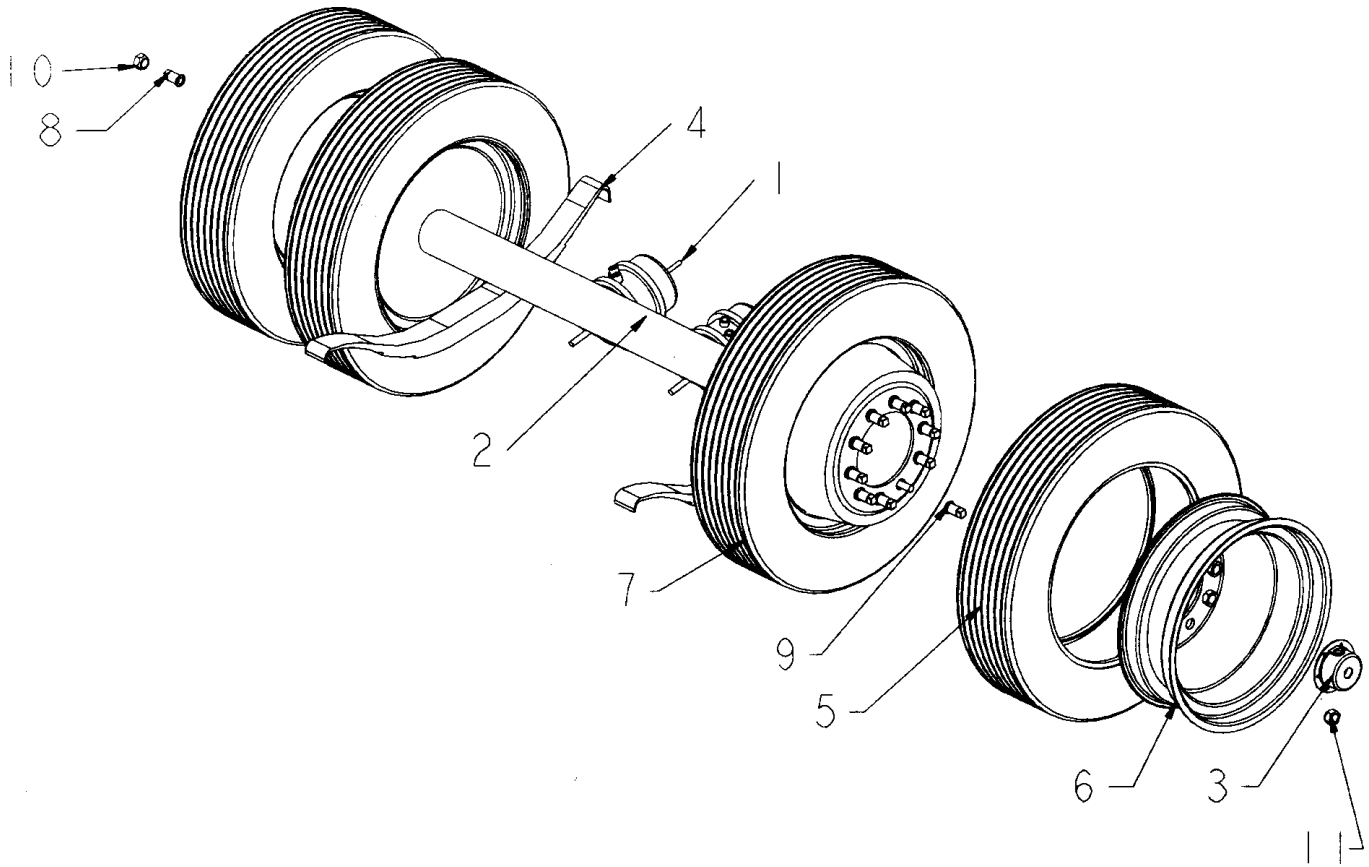
MAIN FRAME ASSEMBLY - HOPPER ENCLOSURE WITH SEALS (S.N. UP TO 40-2-FJ-0136)



**MAIN FRAME ASSEMBLY - HOPPER ENCLOSURE WITH
SEALS (S.N. UP TO 40-2-FJ-0136)**

ITEM	PART	QTY.	PART DESCRIPTION
1	4703812	1	ENCL\HPPR\FXD\CLNOUT\SCRN
2	4900082	4	NUT\INSERT\3/8\.027X.150GR
3	7500937	2	SEAL\BULB\TRIM\2"
4	7500937	4	SEAL\BULB\TRIM\21-3/4"

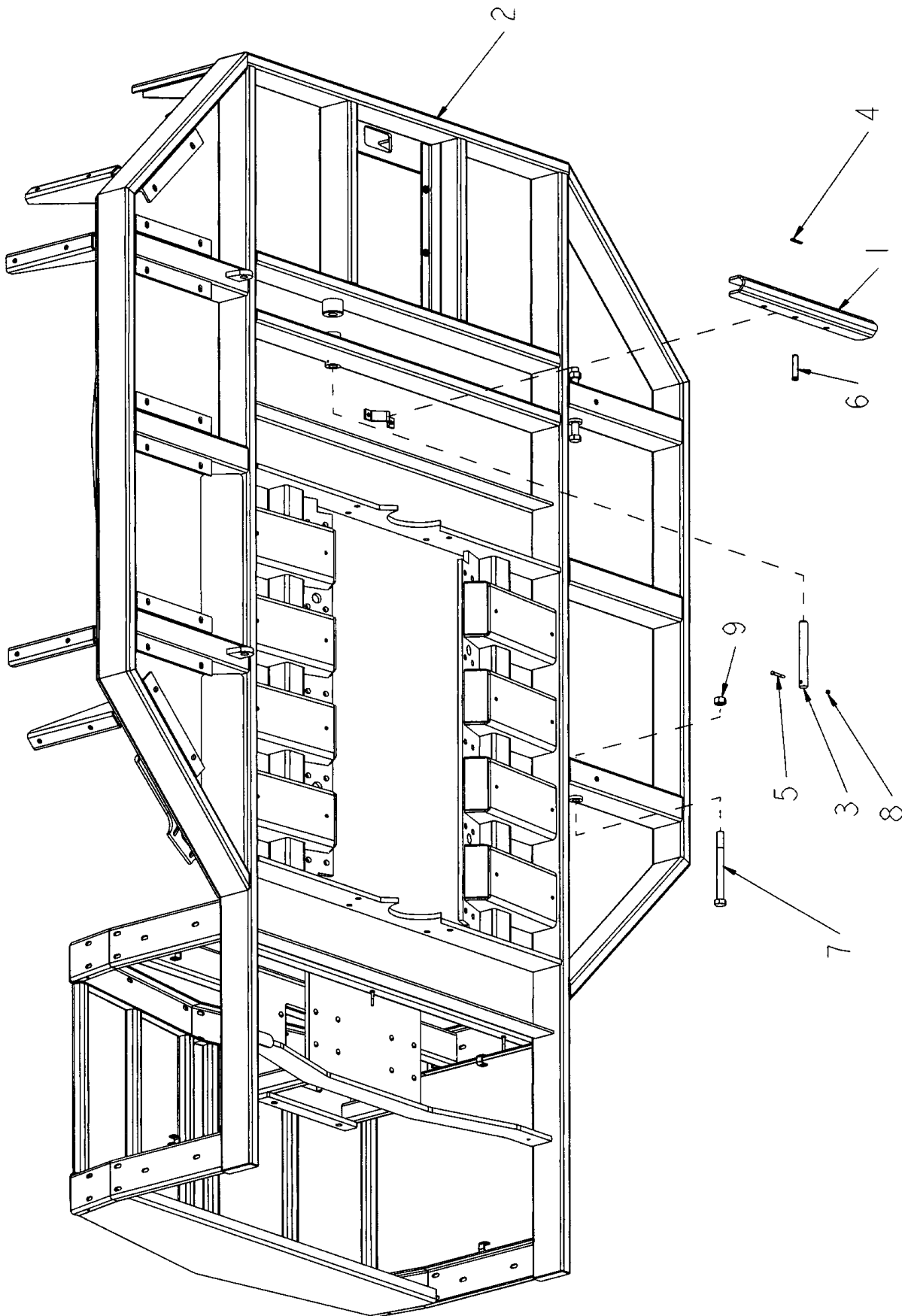
AXLE AND TIRES



AXLE AND TIRES

ITEM	PART	QTY.	PART DESCRIPTION
1	2500632	6	30/30\AIRCHMBR\BRK\KIT\4012
2	2500638	3	AXLE\KIT\4012
3	2500941	1	HUBCAP\PLSTC\22.5K\CR1643
4	2500954	6	3LEAF\SPRNG\9700\4012
5	2600029	12	TIRE\255.70R22.5
6	2600634	12	WHL\RIM\10-BOLT\22.5X8.25
7	2600815	12	WHEEL\4012
8	4900162	20	NUT\WHL\3/4\INNER\RH
9	4900163	20	NUT\WHL\3/4\INNER\LH
10	4900164	20	NUT\WHL\3/4\OUTER\RH
11	4900165	20	NUT\WHL\3/4\OUTER\LH

PLATFORM ASSEMBLY - MOUNTING PLATFORM TO FRAME



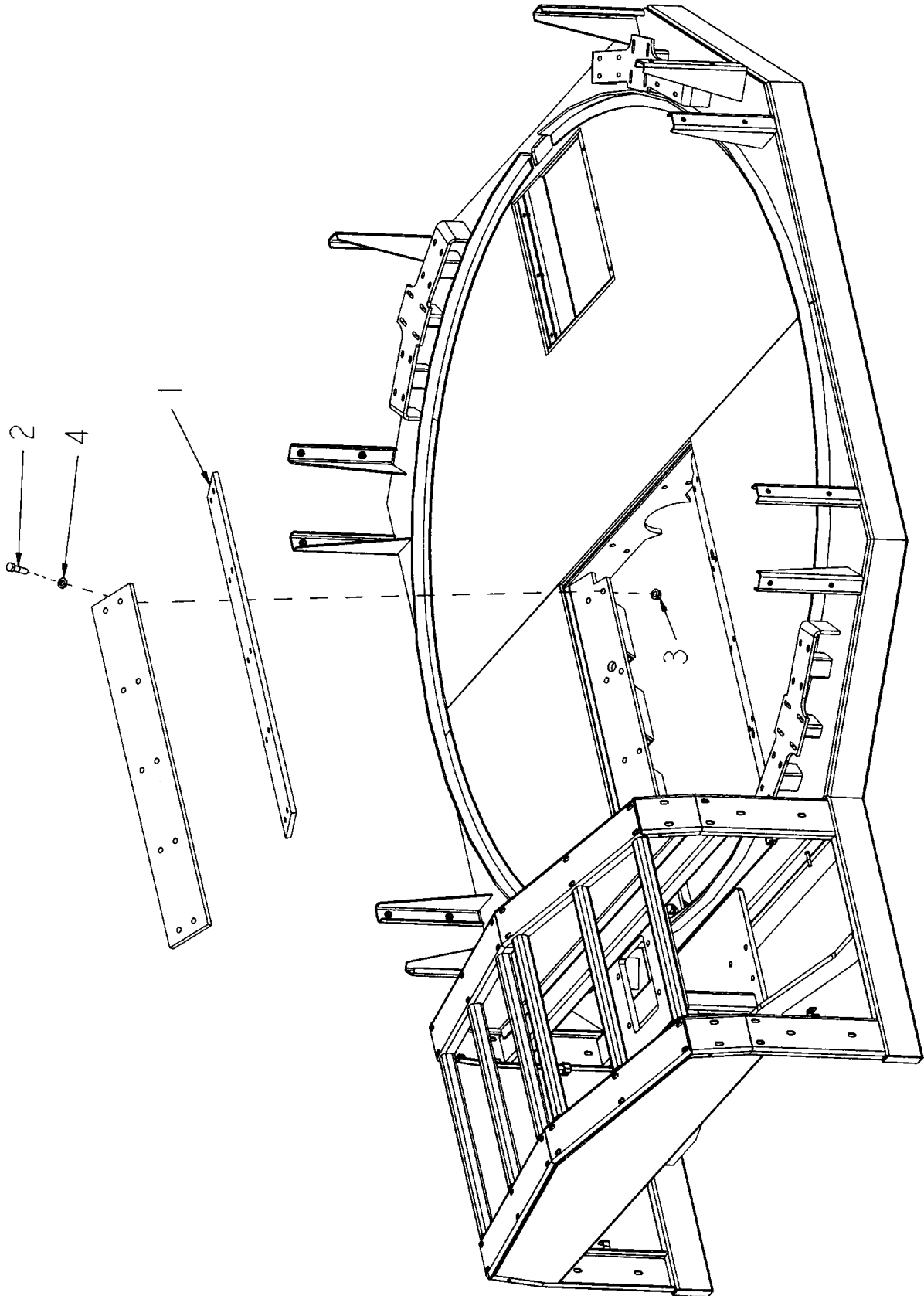
PLATFORM ASSEMBLY - MOUNTING PLATFORM TO FRAME

ITEM	PART	QTY.	PART DESCRIPTION
1	4701307	1	BRKT\CYL\29-3/4X2-3/4\STOP
2	4703215	1	FRM\PLTFRM\HD12
3	4703442	1	PIN\1-1/4\CYL\HYD\PLTFRM
4	4800107	1	PIN\HAIR\1/8(#9)
5	4800570	1	BOLT\HEX\5/16X2-1/2
6	4800577	1	PIN\CLEVIS\3/4X3-1/2
7	4800619	2	BOLT\HEX\1X10-1/2\NC
8	4900099	1	NUT\TPLCK\5/16\GR8\NC
9	4900127	2	NUT\TPLCK\1\NC

Not Shown - Tub Tilt Cylinder Bottom Bolt

4800933	BOLT\HEX\1-1/4X11\GR5\NC
4900135	NUT\NYLCK\1-1/4\NC

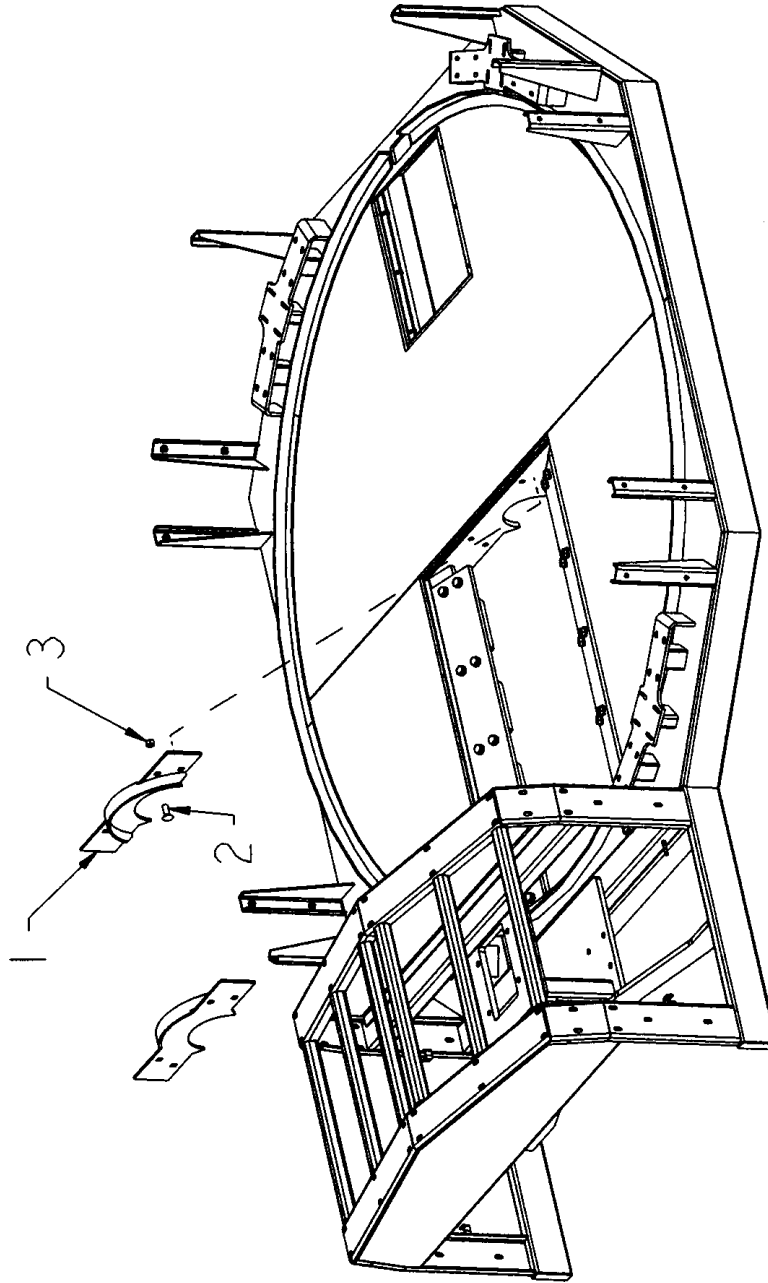
PLATFORM ASSEMBLY - SCREEN WEAR PLATES



PLATFORM ASSEMBLY - SCREEN WEAR PLATES

ITEM	PART	QTY.	PART DESCRIPTION
1	4702600	2	PLWEAR\SCRN\4012
2	4800649	20	BOLT\HEX\3/4X3\GR8\NC
3	4900160	20	NUT\FLG\TPLOCK\3/4\GR8\NC
4	5000115	20	WASH\FLAT\3/4\EXTRTHK\GR8

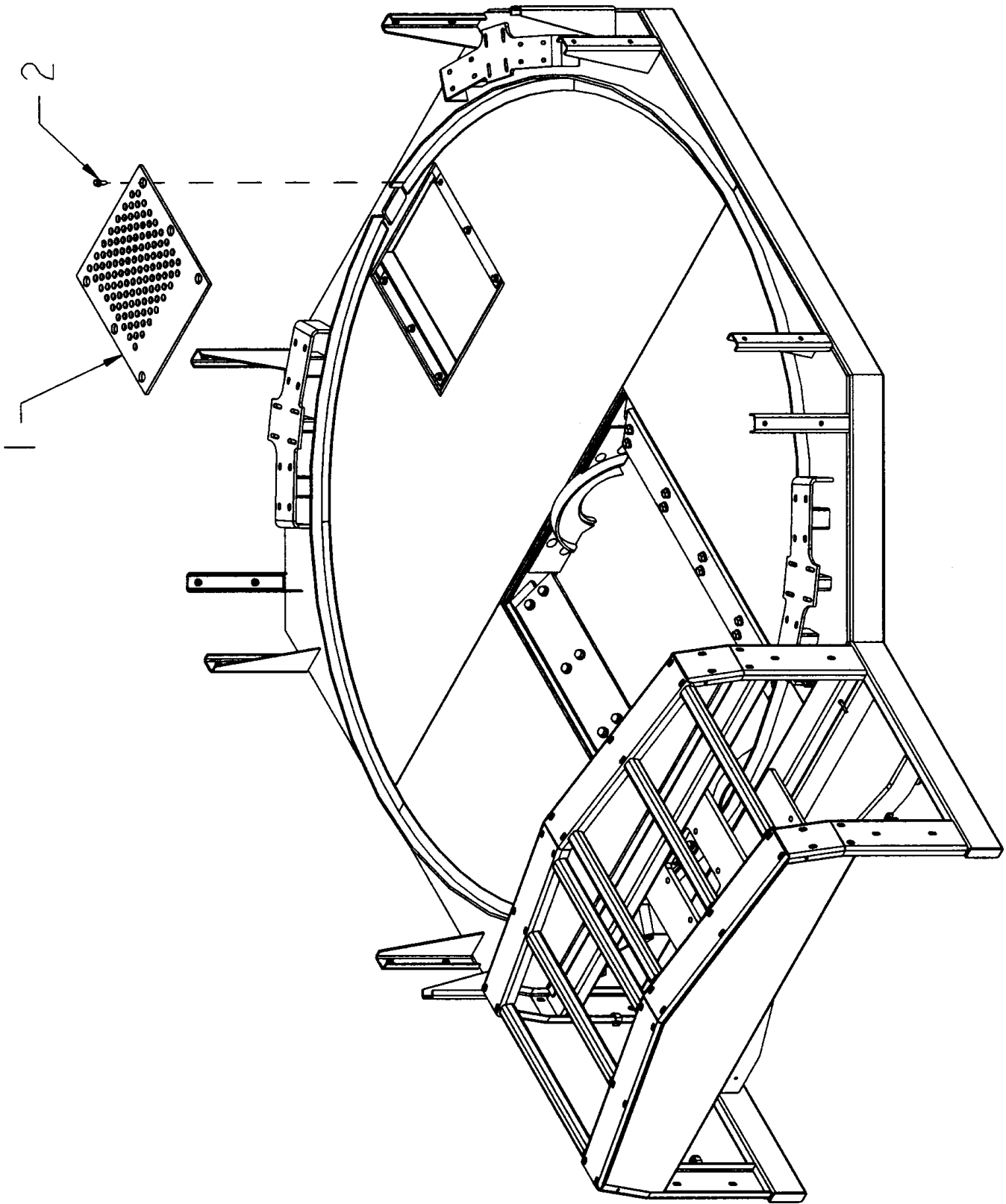
PLATFORM ASSEMBLY - TWINE GUARDS



PLATFORM ASSEMBLY - TWINE GUARDS

ITEM	PART	QTY.	PART DESCRIPTION
1	4703560	2	GUARD\TWINE\RTR\4012
2	4800654	8	BOLT\CRG\3/4X2\NC\GR5
3	4900139	8	NUT\TPLCK\3/4\GR8\NC

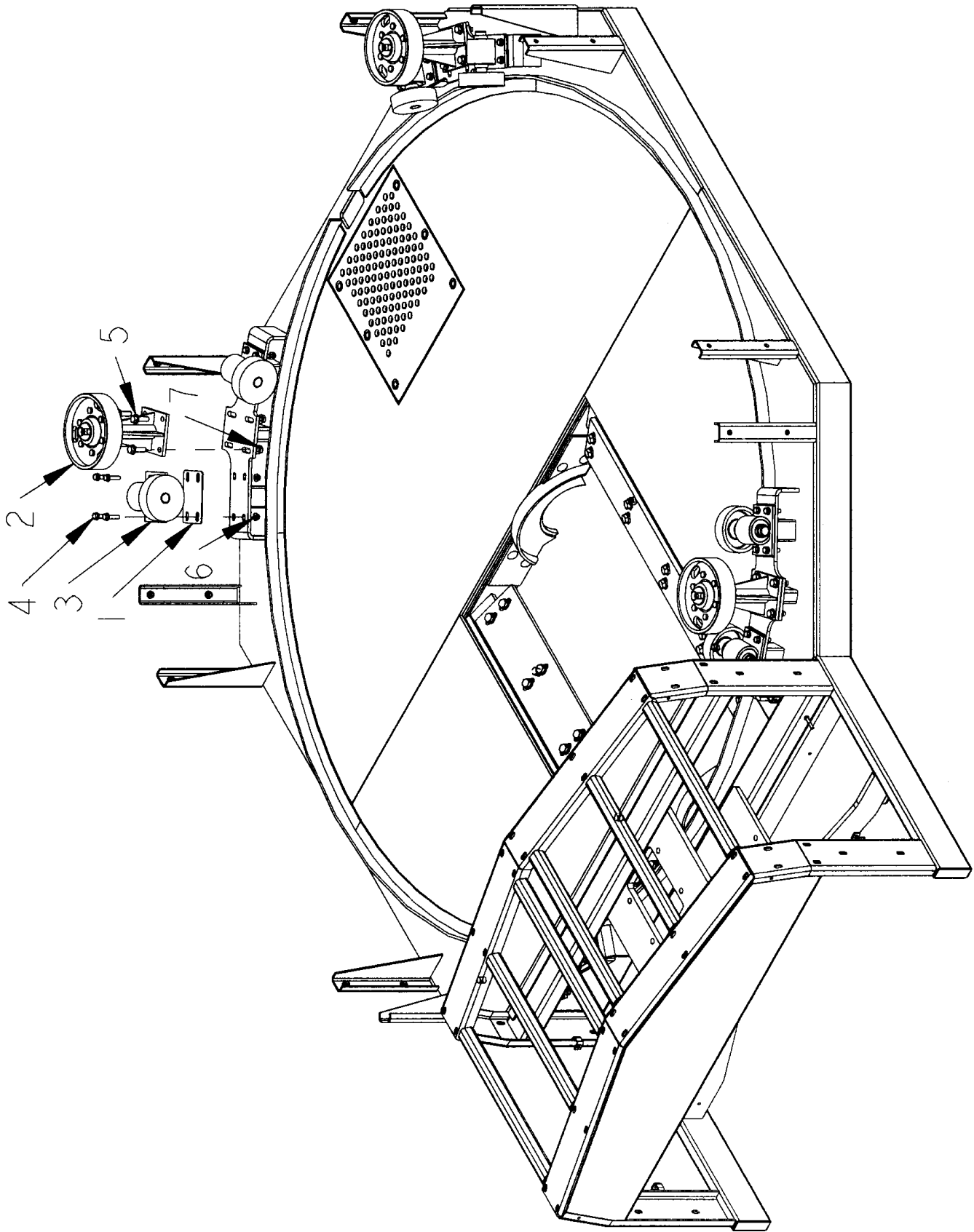
PLATFORM ASSEMBLY - FLOOR SCREEN



PLATFORM ASSEMBLY - FLOOR SCREEN

ITEM	PART	QTY.	PART DESCRIPTION
1	4701719	1	SCRN\FL\24-1/4X22-1/2\1"HOLE
2	4800928	6	BOLT\FLG\SERR\1/2X1-1/4\NC

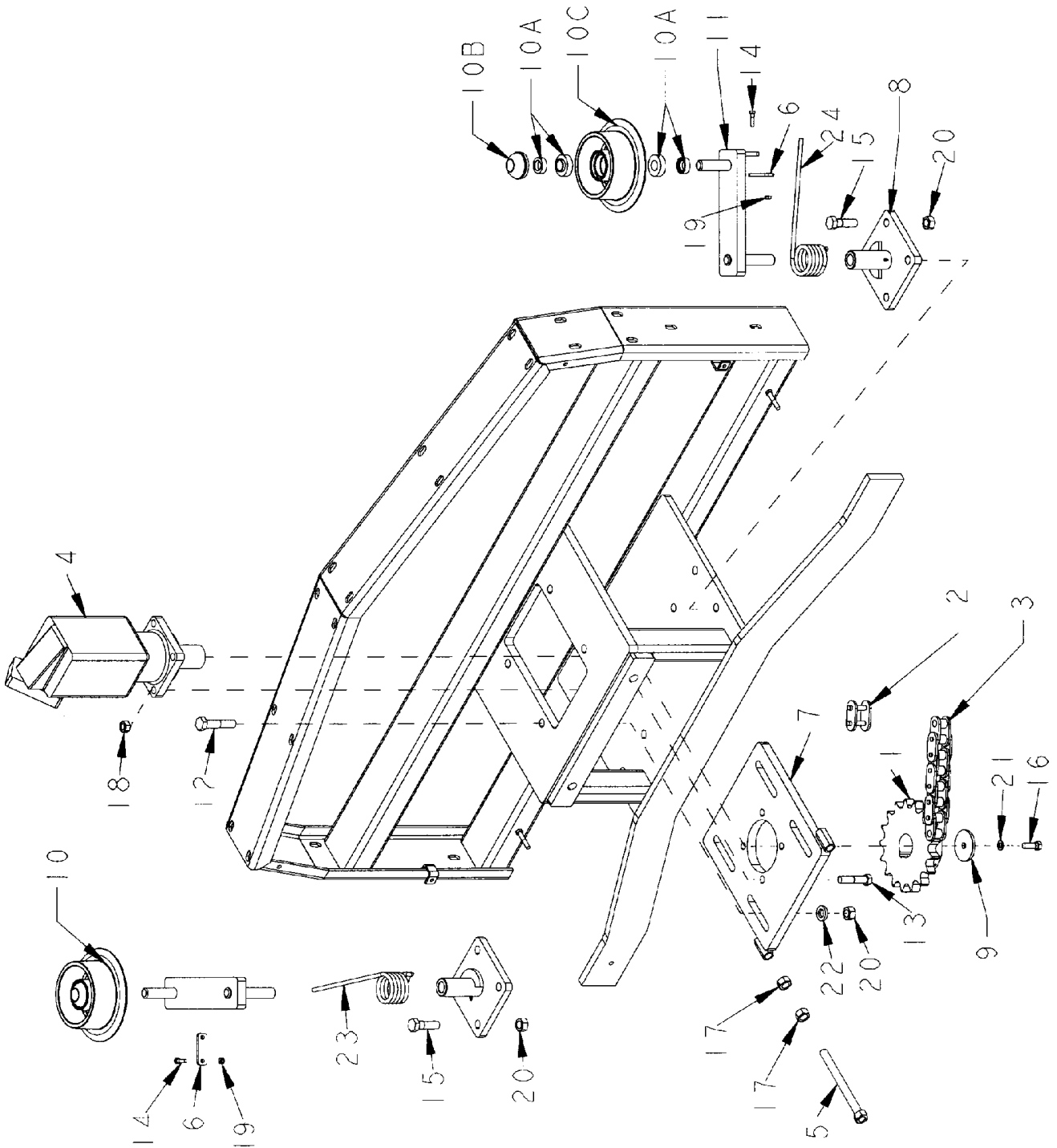
PLATFORM ASSEMBLY - TUB & PRESSURE ROLLER



PLATFORM ASSEMBLY - TUB & PRESSURE ROLLER

ITEM	PART	QTY.	PART DESCRIPTION
1	4701863	AS NEEDED	SHIM\RLLR\SPPRT\TUB
2	4702593	4	RLLR\PRESS\HVY\6BOLT
3	4704119	8	RLLR\TUB\ASSY\STEEL
4	4800930	32	BOLT\FLG\SERR\1/2X2\NC
5	4800949	16	BOLT\FLG\5/8X2\GR8\NC SN 116 and up
5A	4800930		BOLT\FLG\SERR\1/2X2\NC SN 101 to 115
6	4900100	32	NUT\FLG\TPLCK\1/2\NC
7	4900178	16	NUT\FLG\TPLCK\5/8\GR8\NC SN 116 and up
7A	4900100		NUT\FLG\TPLCK\1/2\NC SN 101 to 115

PLATFORM ASSEMBLY - TUB DRIVE



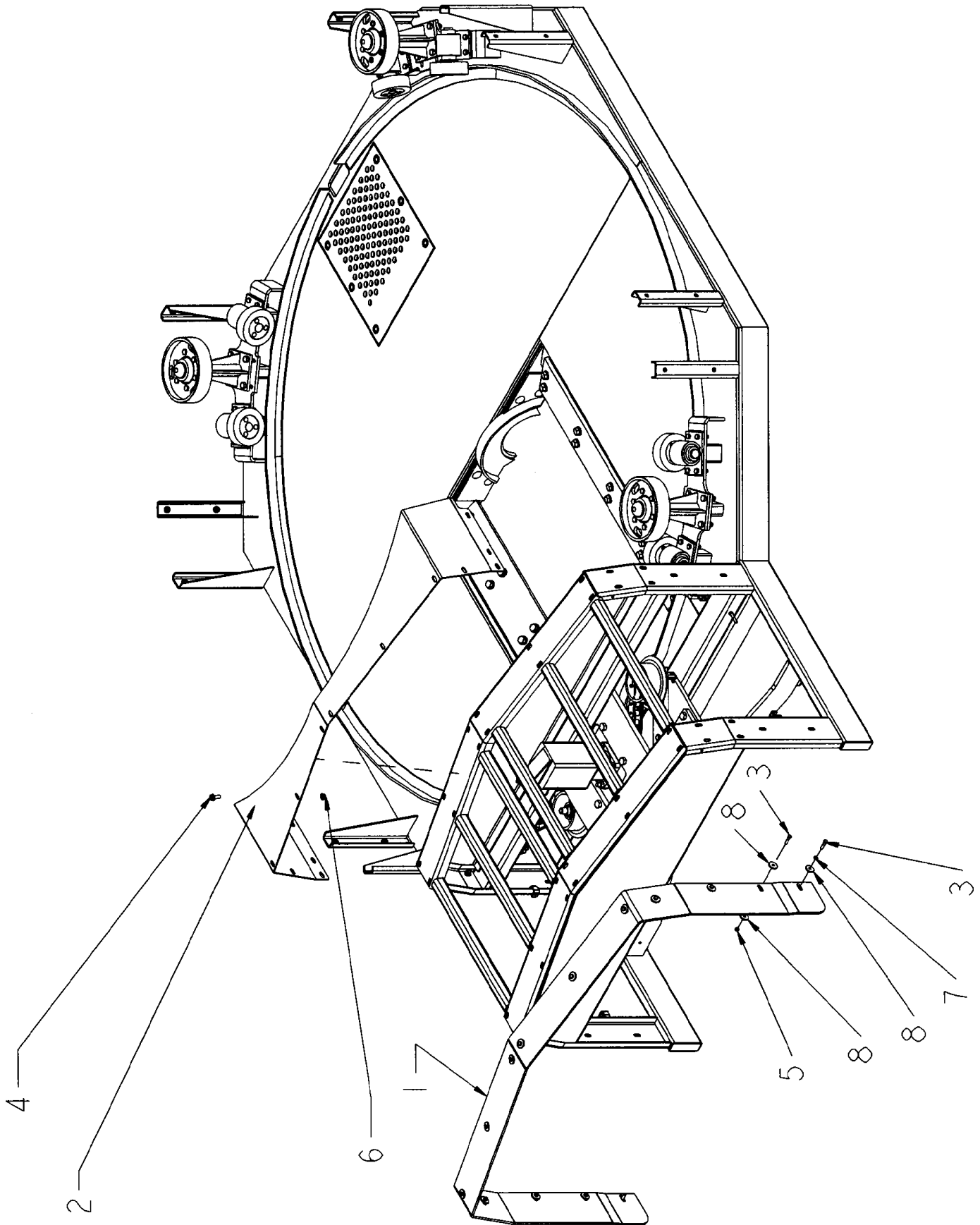
PLATFORM ASSEMBLY - TUB DRIVE

ITEM	PART	QTY.	PART DESCRIPTION
1	1000240	1	SPKT\B\120\17\2-1/4BORE
2	1100242	1	CHAIN\120H\CL
3	1100244	1	CHAIN\120H\269LINKS\4012 up to s.n. 0127
3A	1100264	1	CHAIN\120H\269LINKS\4012 s.n. 0128 and up
4	4200035	1	MTR\HYD\1191031-003
5	4501328	2	BOLT\HEX\3X4X8-1/2
6	4501383	2	BRKT\SPRING\
7	4501707	1	BRKT\MTR\DRV\TUB
8	4703168	2	BRKT\RLLR\TNSN
9	4703179	1	WASH\SPKT\MOTOR\TUB
10	4704024	2	RLLR\TNSR\CHAIN\TUB\CAPPED
10A	2000047		BRG\W\CLLR\1\FHR\205-16
10B	2900013		CAP\DUST\WHL;HUB(DC-13)
10C	D1018747		RLLR\TNSR\CHAIN\DRV\TUB\CAPPED
11	4704025	2	BRKT\RLLR\TNSN\SHORT
12	4800011	4	BOLT\HEX\3/4X3-1/2
13	4800021	4	BOLT\HEX\5/8X3
14	4800071	4	BOLT\HEX\5/16X1-1/4
15	4800115	8	BOLT\HEX\3/4X2-1/2
16	4800575	1	BOLT\HEX\1/2X1-1/2\NF
17	4900004	4	NUT\HEX\3/4\NC
18	4900012	4	NUT\PLCK\5/8\NC
19	4900099	4	NUT\PLCK\5/16\GR8\NC
20	4900139	12	NUT\PLCK\3/4\GR8\NC
21	5000006	1	WASH\LOCK\1/2
22	5000115	4	WASH\FLAT\3/4\EXTRTHK\GR8
23	6100078	1	SPG\DRV\TUB
24	6100079	1	SPG\DRV\TUB

NOT SHOWN

1100243 CHAIN\120H\OL

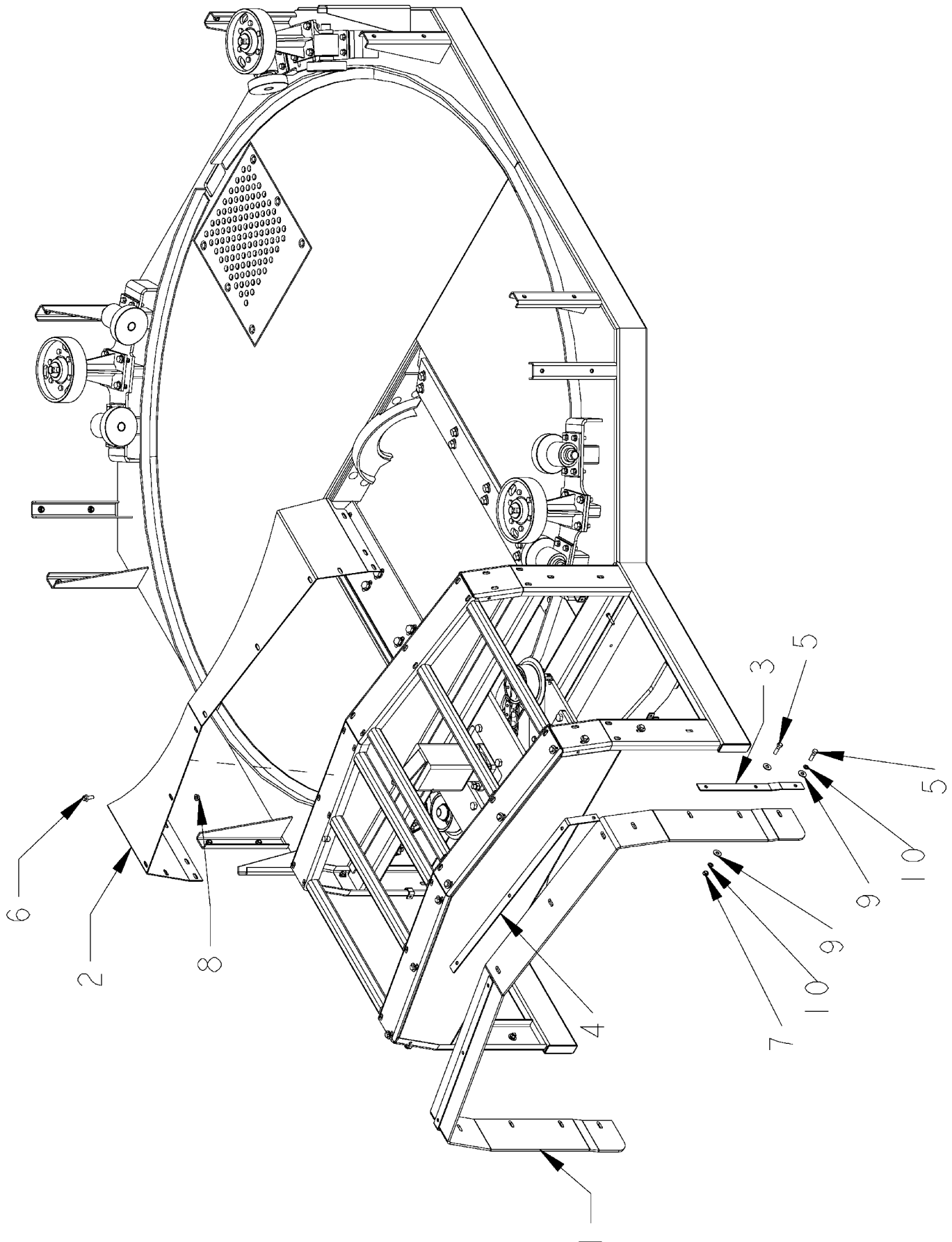
PLATFORM ASSEMBLY - TUB DRIVE TRAIN SHIELD
S.N. UP TO 127



**PLATFORM ASSEMBLY - TUB DRIVE TRAIN SHIELD
S.N. UP TO 127**

ITEM	PART	QTY.	PART DESCRIPTION
1	1700182	1	SEAL\PLTFRM\3/8X7\RBRR
2	4703162	1	SHLD\CHAIN\DRIVE\TOP
3	4800034	14	BOLT\HEX\3/8X1-1/2
4	4800928	10	BOLT\FLG\SERR\1/2X1-1/4\NC
5	4900023	12	NUT\TPLCK\3/8\NC
6	4900100	10	NUT\FLG\TPLCK\1/2\NC
7	5000019	2	WASH\LOCK\3/8
8	5000096	26	WASH\FLAT\SPCL\13/32X7GAX

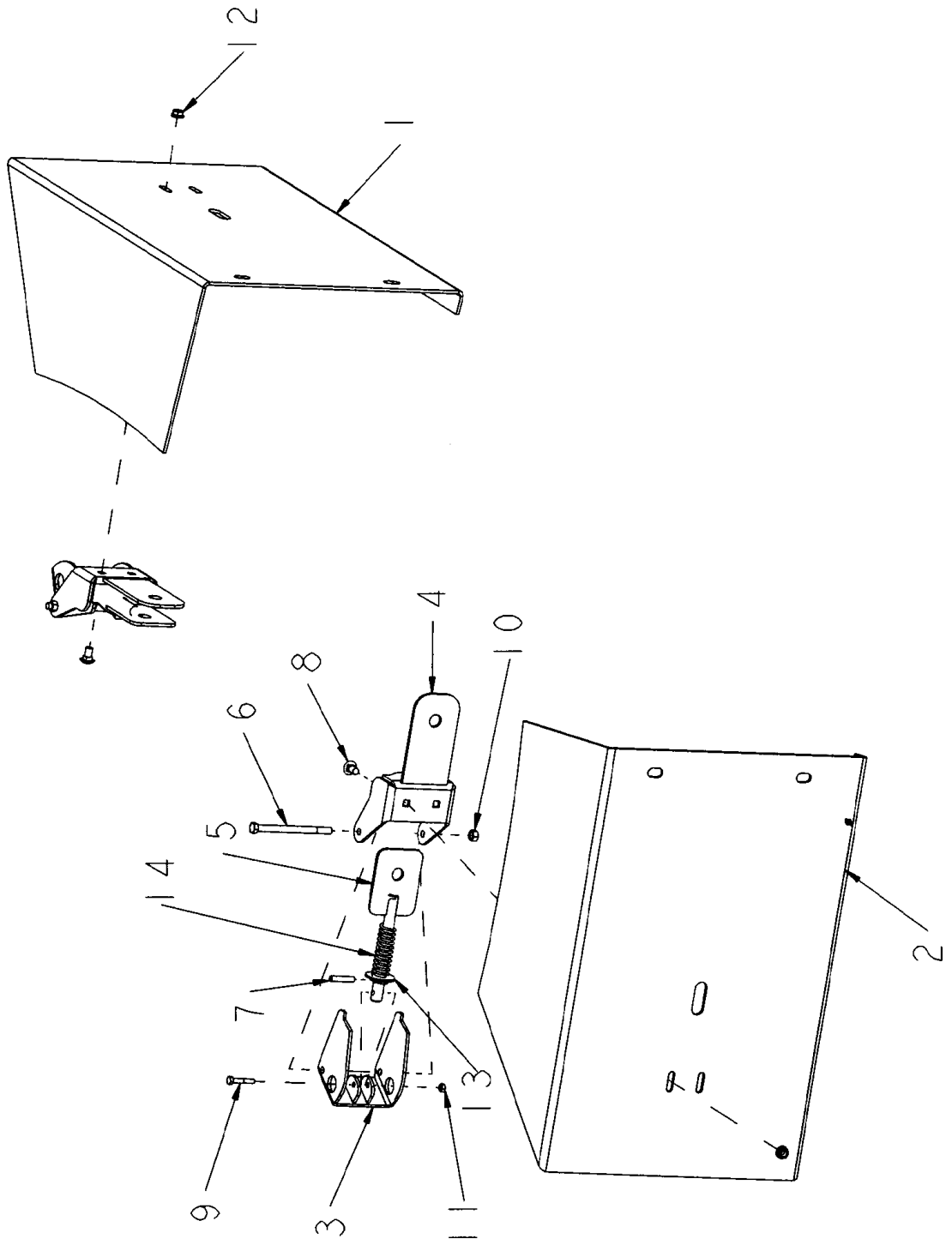
**PLATFORM ASSEMBLY - TUB DRIVE TRAIN SHIELD
S.N. 128 AND UP**



**PLATFORM ASSEMBLY - TUB DRIVE TRAIN SHIELD
S.N. 128 AND UP**

ITEM	PART	QTY.	PART DESCRIPTION
1	1700182	1	SEAL\PLTFRM\
2	4703162	1	SHLD\CHAIN\DRIVE\TOP
3	4704120	2	STRAP\SEAL\PLATFORM
4	4704121	2	STRAP\SEAL\PLATFORM
5	4800178	14	BOLT\HEX\1/2X1-3/4
6	4800928	10	BOLT\FLG\SERR\1/2X1-1/4\NC
7	4900001	12	NUT\HEX\1/2\NC
8	4900100	10	NUT\FLG\TPLCK\1/2\NC
9	5000004	26	WASH\FLAT\1/2
10	5000006	14	WASH\LOCK\1/2

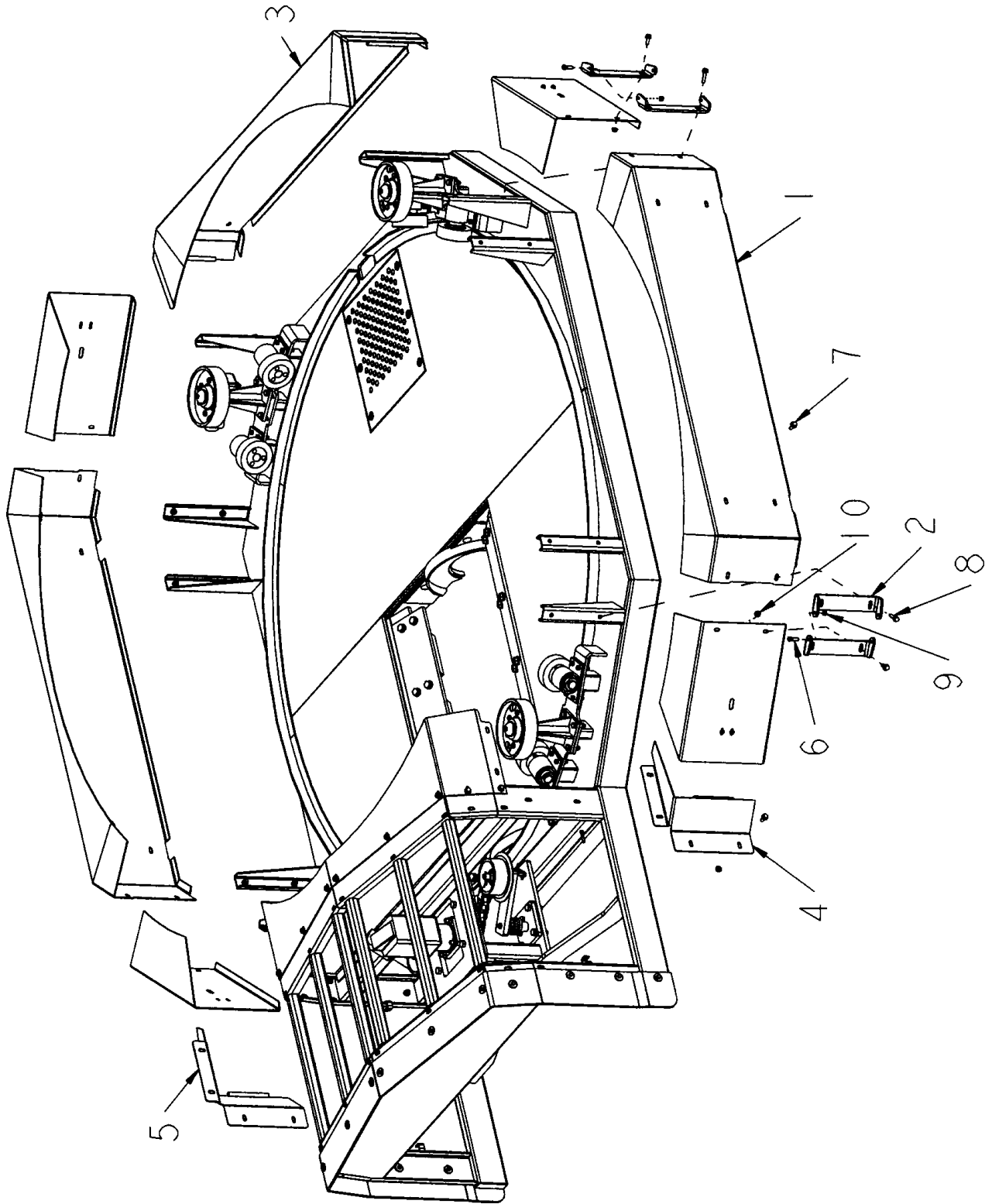
PLATFORM ASSEMBLY - TUB ROLLER SHIELD



PLATFORM ASSEMBLY - TUB ROLLER SHIELD

ITEM	PART	QTY.	PART DESCRIPTION
1	4703585	2	SHIELD\RLLR\TUB\DOOR\RH
2	4703586	2	SHIELD\RLLR\TUB\DOOR\LH
3	4703594	4	LATCH\ASSY\STRIKER
4	4703595	4	LATCH\ASSY\FRAME
5	4703598	4	PIN\SPRNG\LATCH\SHIELD\TUB
6	4800202	4	BOLT\HEX\3/8X5
7	4800305	4	PIN\RLLD\5/16X1-1/2
8	4800394	8	BOLT\CRG\3/8X3/4\NC
9	4800505	4	BOLT\HEX\1/4X1-1/2\NC
10	4900023	4	NUT\TPLCK\3/8\NC
11	4900084	4	NUT\TPLCK\1/4\NC
12	4900109	8	NUT\FLG\TPLCK\3/8\NC
13	5000002	4	WASH\FLAT\5/8
14	6100077	4	SPRNG\COMP\1X3-1/2\120

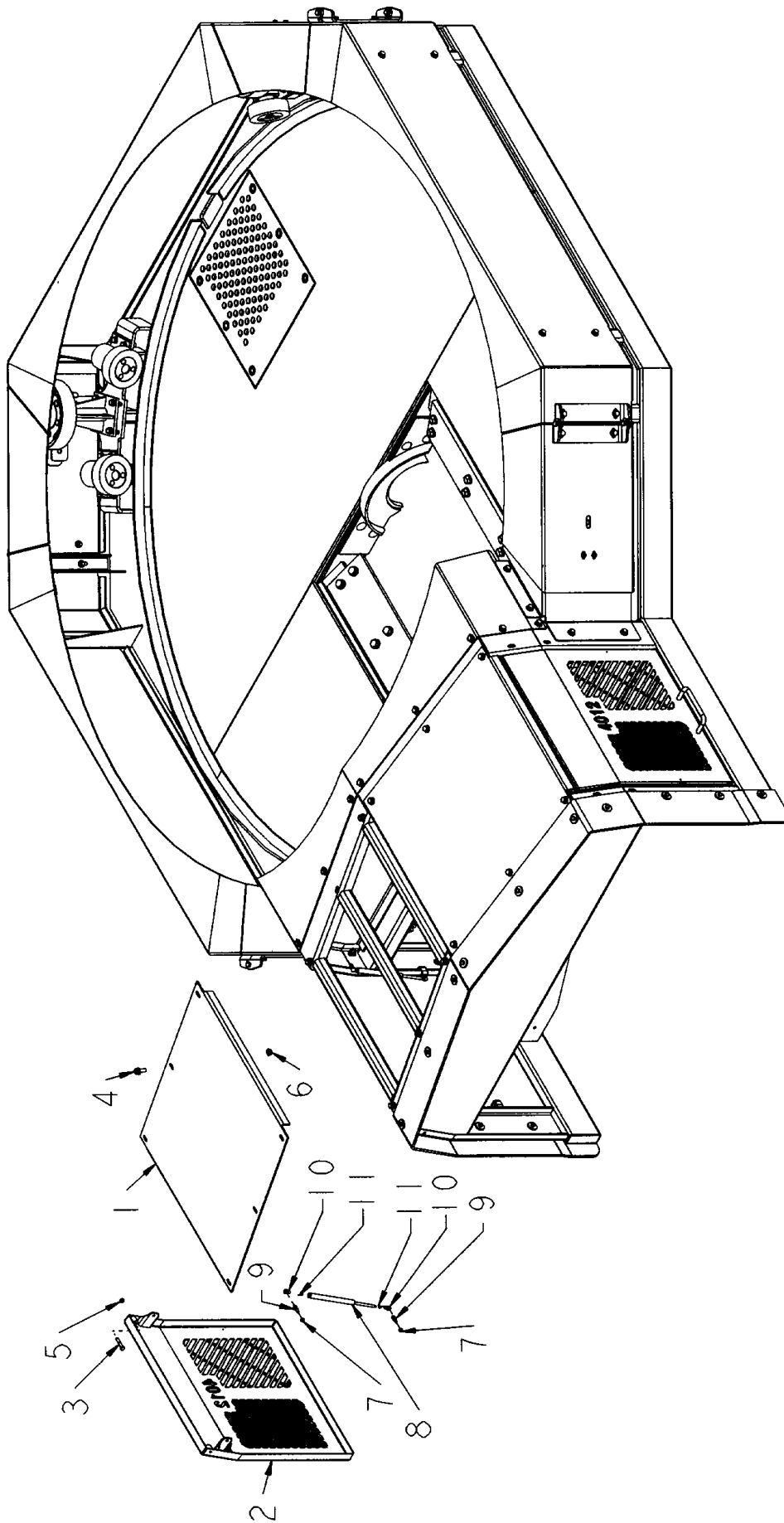
PLATFORM ASSEMBLY - ROLLER SHIELDS



PLATFORM ASSEMBLY - ROLLER SHIELDS

ITEM	PART	QTY.	PART DESCRIPTION
1	4703582	2	SHIELD\RLLR\TUB\SIDE
2	4703583	8	BRKT\SHLD\RLLR\TUB
3	4703584	1	SHIELD\RLLR\TUB\REAR
4	4703589	1	SHIELD\RLLR\TUB\FLLR
5	4703590	1	SHIELD\RLLR\TUB\FLLR\RH
6	4800082	8	BOLT\HEX\1/2X1-1/2
7	4800928	28	BOLT\FLG\SERR\1/2X1-1/4\NC
8	4800930	8	BOLT\FLG\SERR\1/2X2\NC
9	4900014	8	NUT\TPLCK\1/2\NC
10	4900100	16	NUT\FLG\TPLCK\1/2\NC

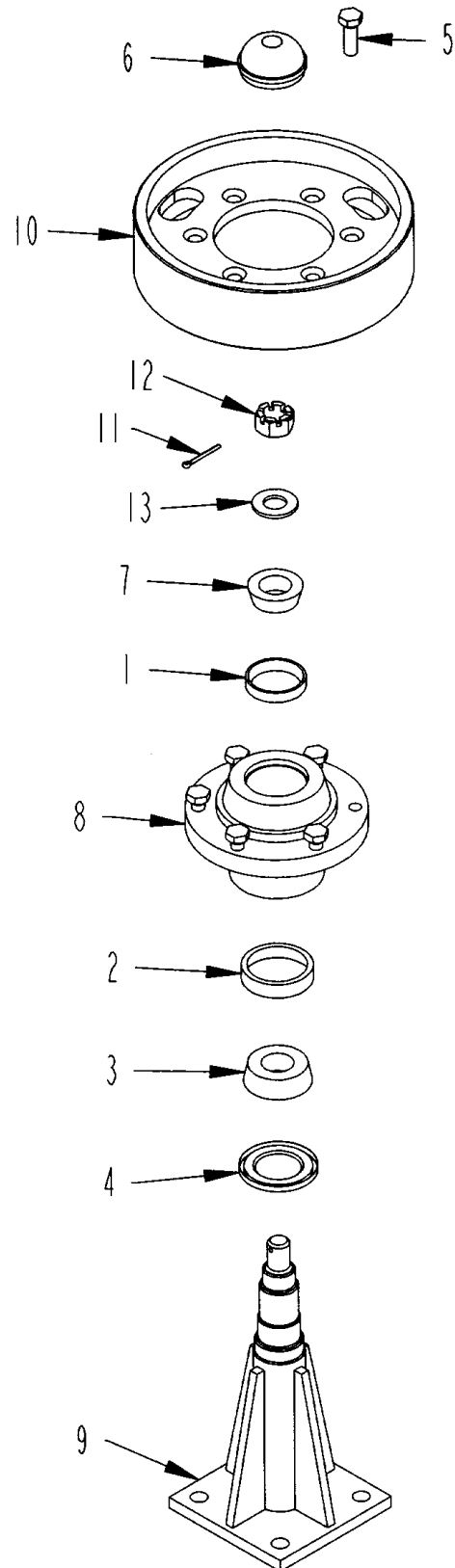
PLATFORM ASSEMBLY - DOORS & COVERS



PLATFORM ASSEMBLY - DOORS & COVERS

ITEM	PART	QTY.	PART DESCRIPTION
1	4703165	2	CVR\DRV\TUB
2	4703331	2	DOOR\DRV\TUB
3	4800146	4	BOLT\HEX\3/8X2
4	4800928	12	BOLT\FLG\SERR\1/2X1-1/4\NC
5	4900023	4	NUT\TPLCK\3/8\NC
6	4900100	12	NUT\FLG\TPLCK\1/2\NC
7	4900142	8	NUT\TPLCK\5/16\NC
8	7500663	4	SPRNG\GAS\90LB\9416K224
9	7500664	8	SHOCK\BALL\FITTING\M6
10	7500665	8	SHOCK\END\FITTING\M6
11	7500666	8	SHOCK\SAFETY\CLIP8

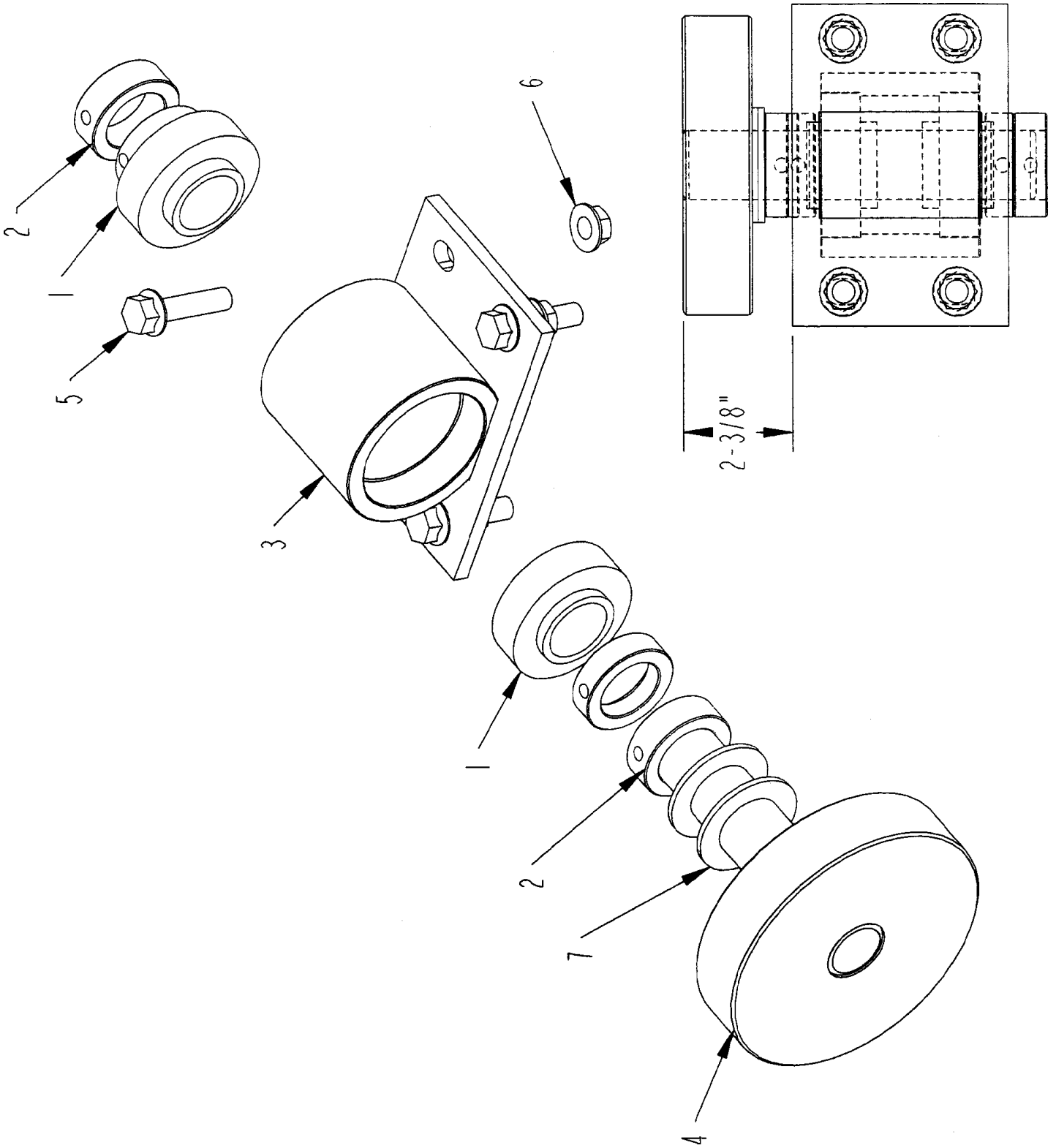
PLATFORM ASSEMBLY - PRESSURE ROLLER ASSEMBLY



PLATFORM ASSEMBLY - PRESSURE ROLLER ASSEMBLY

ITEM	PART	QTY.	PART DESCRIPTION
	4702593		RLLR\PRESS\HVY\6BOLT\COMPLETE
1	2900004	1	CUP\INNER\WHEEL HUB
2	2900006	1	CUP\INNER\WHEEL HUB
3	2900007	1	CONE\OUTER\WHL;HUB(2900069)
4	2900008	1	SEAL\GREASE(2900069HUB)
5	2900012	6	BOLT\WHL\WHL:HUB\1/2 X1-1/2
6	2900013	1	CAP\DUST\WHL;HUB(DC-13)
7	2900018	1	CONE\OUTER\WHL;HUB(67048
8	2900069	1	HUB\COMPLETE\2900069 Includes 1,2,3,4,6,7
9	4702594	1	RLLR\PRESS\STAND\6BOLT
10	4702595	1	RLLR\PRESS\HVY\10-3/4X2-1/2
11	4800044	1	PIN\COT\5/16X1-1/2
12	4900054	1	NUT\CASTLE\1/2NF
13	5000055	1	WASH\SPINDLE\7/8

PLATFORM ASSEMBLY - TUB ROLLER ASSEMBLY

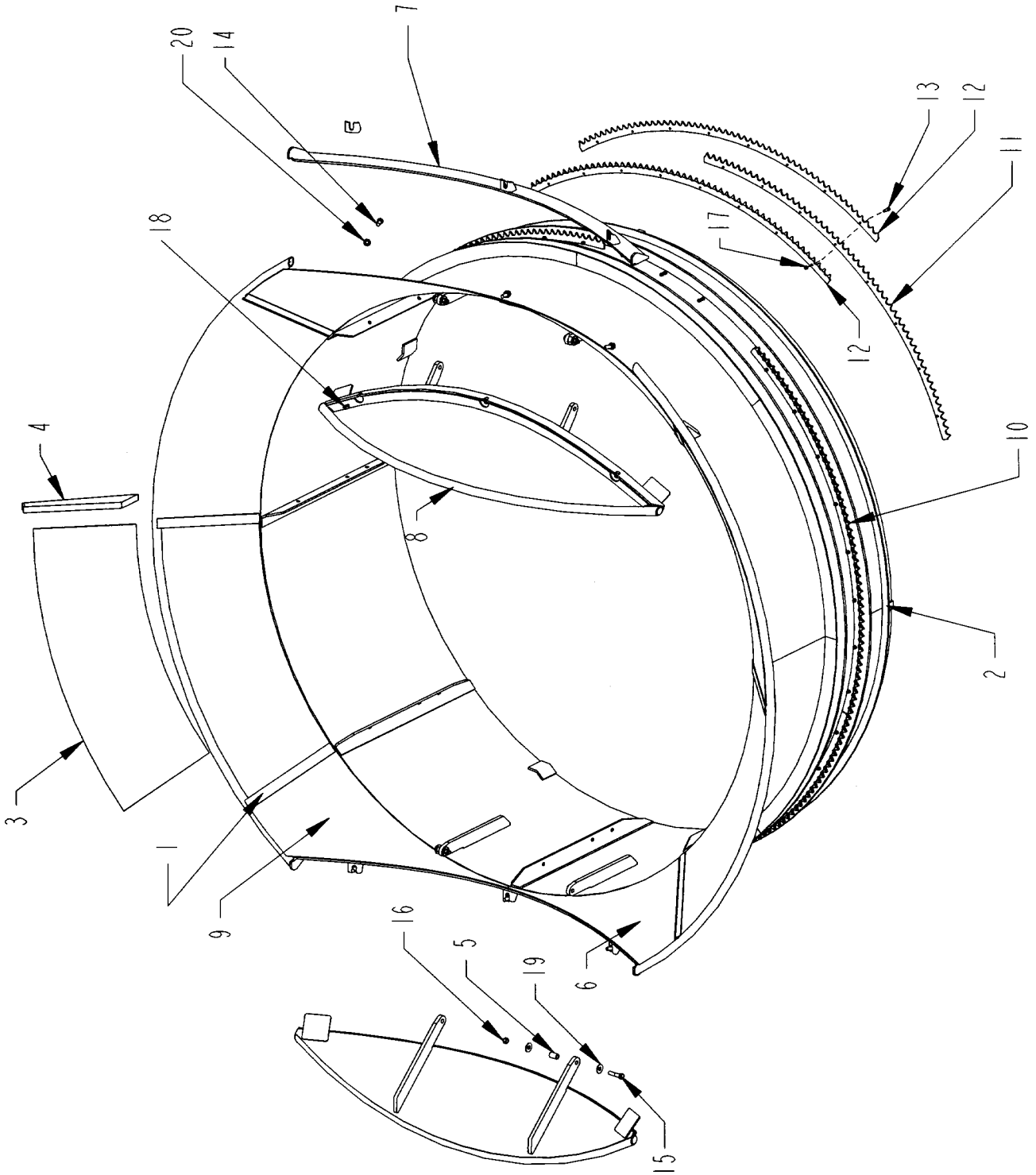


PLATFORM ASSEMBLY - TUB ROLLER ASSEMBLY

ITEM	PART	QTY.	PART DESCRIPTION
1	2000573	2	BRG\CYL\1-1/2\W-ECCENTRIC COLLAR\COATD
	2000078	2	BRG\CYL\1-1/2\SET;SCR
2	2000813	1 or 2	CLLR\SHFT\1-1/2\SET
3	4702007	1	BRG\PB\RLLR\TUB\ASY\W\BEARINGINSERTS includes item 1
4	4704116	1	ASSY\ROLLER
5	4800930	4	BOLT\FLG\SERR\1/2X2\NC
6	4900100	4	NUT\FLG\TPLCK\1/2\NC
7	5000008	As Needed	WASH\MACH\1-1/2\IDX10GA\NR
	4704119		RLLR\TUB\ASSY\STEEL includes 1, 2, 3, 4, 7
Not Shown			
	4701863		SHIM\RLLR\TUB\10GA

Note - use collar (#2) and washers (#7) to make 2-3/8" measurement

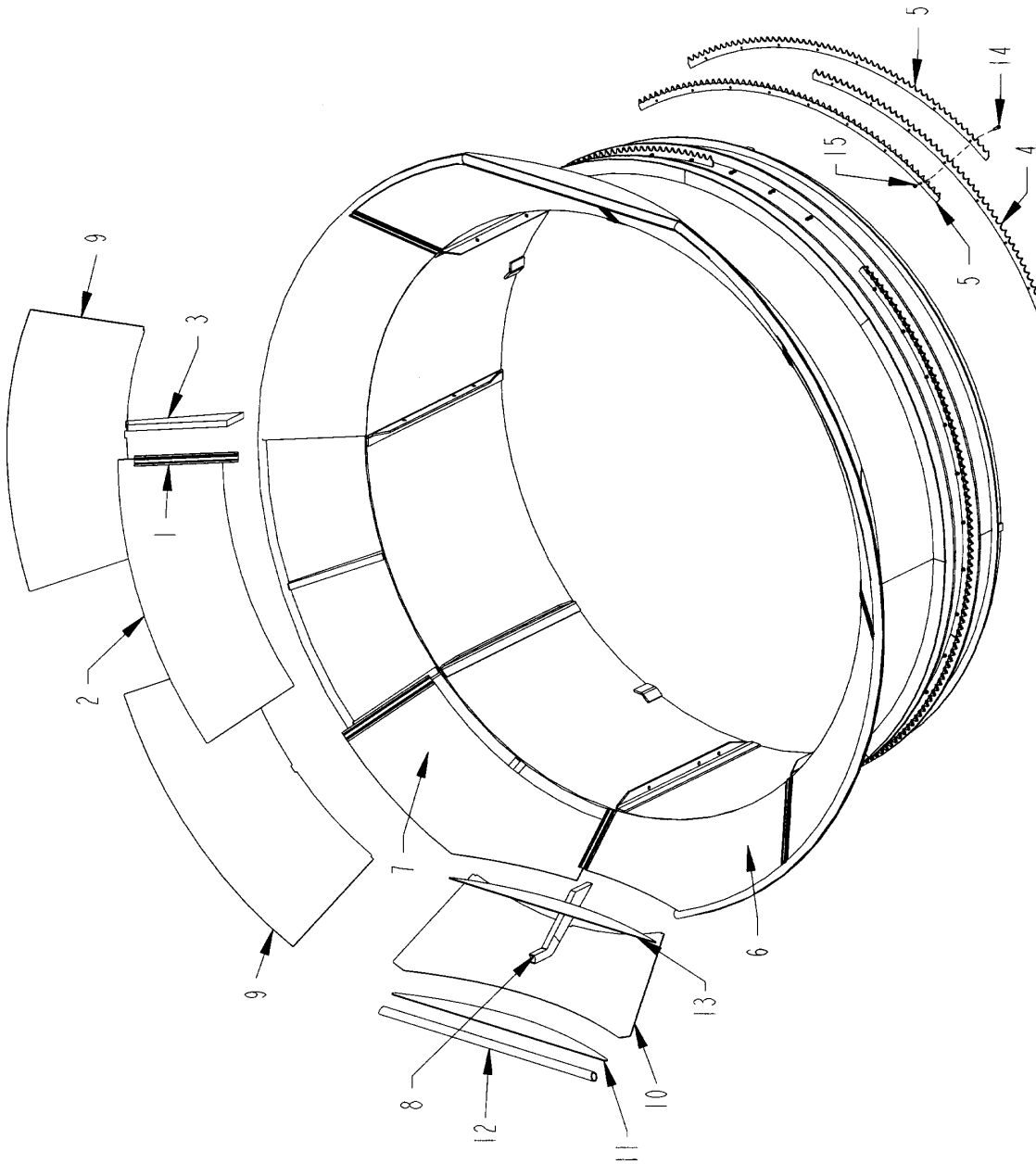
TUB ASSEMBLY



TUB ASSEMBLY

ITEM	PART	QTY.	PART DESCRIPTION
1	4701180	6	BARS\PETAL\TUB
2	4703210	1	TUB\WLMNT\4012
3	4703211	4	PETAL\TUB\4012\HEAVY
4	4703212	6	GSST\FLARE\TUB\4012
5	4703305	4	BUSH\HNGE\FLAIR\TUB
6	4703326	2	PETAL\TUB\HD12\HEAVY
7	4703328	2	TUB\GSST\FLARE
8	4703329	2	FLARE\TUB\FOLD\4012
9	4703603	2	PETAL\TUB\HD12\HEAVY
10	4703610	1	ASYRING\SPKT\TUB
11	4703611	5	TEETH\CHAIN\TUB
12	4703612	10	TEETH\CHAIN\TPRD\TUB
13	4800098	40	BOLT\HEX\3/8X1-1/4\NC
14	4800106	6	BOLT\HEX\5/8X1-1/2
15	4800196	4	BOLT\HEX\5/8X2-3/4
16	4900012	4	NUT\TPLCK\5/8\NC
17	4900023	40	NUT\TPLCK\3/8\NC
18	4900110	6	NUT\FLG\SERR\5/8\NC
19	5000002	8	WASH\FLAT\5/8
20	5000114	6	WASH\FLAT\3/4\EXTRTHK\GR8

TUB ASSEMBLY- NARROWED TUB



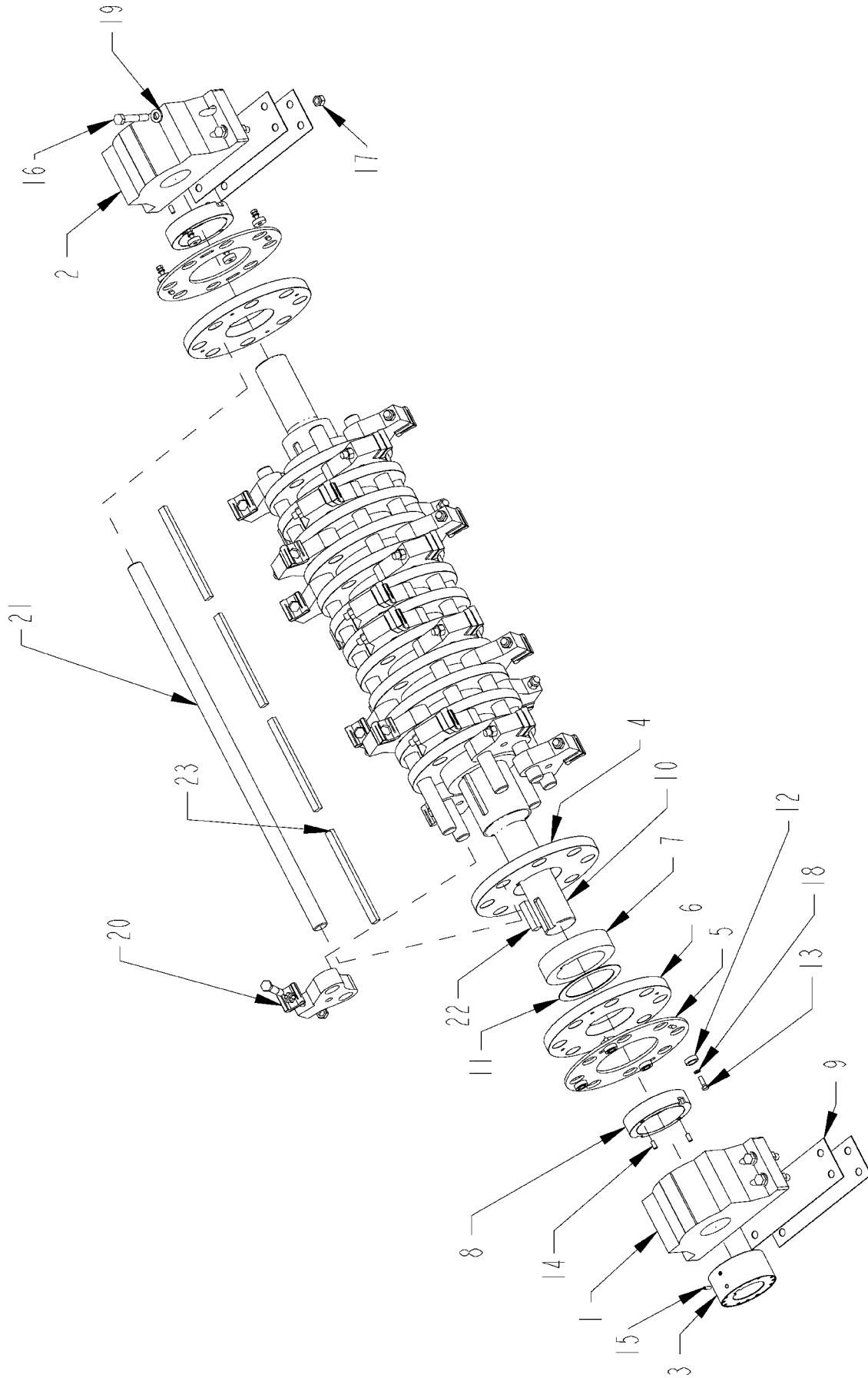
TUB ASSEMBLY- NARROWED TUB

ITEM	PART	QTY.	PART DESCRIPTION
1	4701180	8	BARS\PETAL\TUB
2	4703211	4	PETAL\TUB\4012\HEAVY
3	4703212	14	GSST\FLARE\TUB\4012
4	4703611	5	TEETH\CHAIN\TUB
5	4703612	10	TEETH\CHAIN\TPRD\TUB
6	4704465	2	PETAL\TUB\HD12\HEAVY
7	4704466	2	PETAL\TUB\HD12\HEAVY
8	4704467	2	GSST\FLARE\TUB\4012\FLAT
9	4704468	opt. 6	PETAL\OUTER\SKIN
10	4704469	opt. 2	PETAL\OUTER\SKIN\W\CUT
11	4704470	opt. 2	PETAL\TUB\FILLER\FLAT
12	4704471	2	PIPE\FLARE\STRAIGHT
13	4704472	2	PETAL\TUB\FILLER\FLAT
14	4800098	40	BOLT\HEX\3/8X1-1/4\NC
15	4900023	40	NUT\TPLCK\3/8\NC

4703256 Complete Tub

Note: Items 9, 10, 11, only in 4704473, Outer Skin Option

ROTOR ASSEMBLY



ROTOR ASSEMBLY

ITEM	PART	QTY.	PART DESCRIPTION
	4703207		ROTOR AS SHOWN WITHOUT HAMMERS
1	2000546	1	BRG\PB\4-7/16\SKF\STEEL\
2	2000547	1	BRG\PB\4-7/16\SKF\STEEL\
3	3600452	1	FLG\4-7/16X4\1810\1SQKEY for 650 HP option
	3600499		FLG\4-7/16X4L\DIN225\1SQKEY for 860 & 950 HP option
4	4703228	13	PL\RTR\7X1-1/2X18\2ROD
5	4703229	2	PL\RTR\MVBL\9.03IDX3\8X18\2ROD
6	4703230	2	PL\RTR\7X1-1/2X18\2ROD
7	4703234	14	SPCR\RTR\10X7X2.440
8	4703235	2	NUT\RTR\6X2X8\LH
9	4703236	4	SHIM\BRG\16-1/4X4-3/4X10GA
10	4703241	1	SHAFT\RTR\7X87-1/4\4-7/16"BRG
11	4703405	1	WASH\FLAT\7\HARD\9 O.D.
12	4704292	8	WASHER\PL\MOVEABLE\RTR
13	4800082	8	BOLT\HEX\1/2X1-1/2
14	4800323	4	SCR\SET\AL1/2X1\NC
15	4800424	4	SCR\SET\ALN\3/8X1-1/4\NC
16	4800563	8	BOLT\HEX\7/8X5-1/2\GR9\NF
17	4900148	8	NUT\TPLCK\7/8\GR9\NF
18	5000006	8	WASH\LOCK\1/2
19	5000120	8	WASH\FLAT\7/8\EXTRTHK\GR8
20	5200223	28	HMMR\FIXED\COMPL\21;BOLT
21	5300114	8	ROD\HMMR\2X56
22	6200049	1	KEY\SQ\1X4
23	6200056	4	KEY\RECT\3/4X1X14

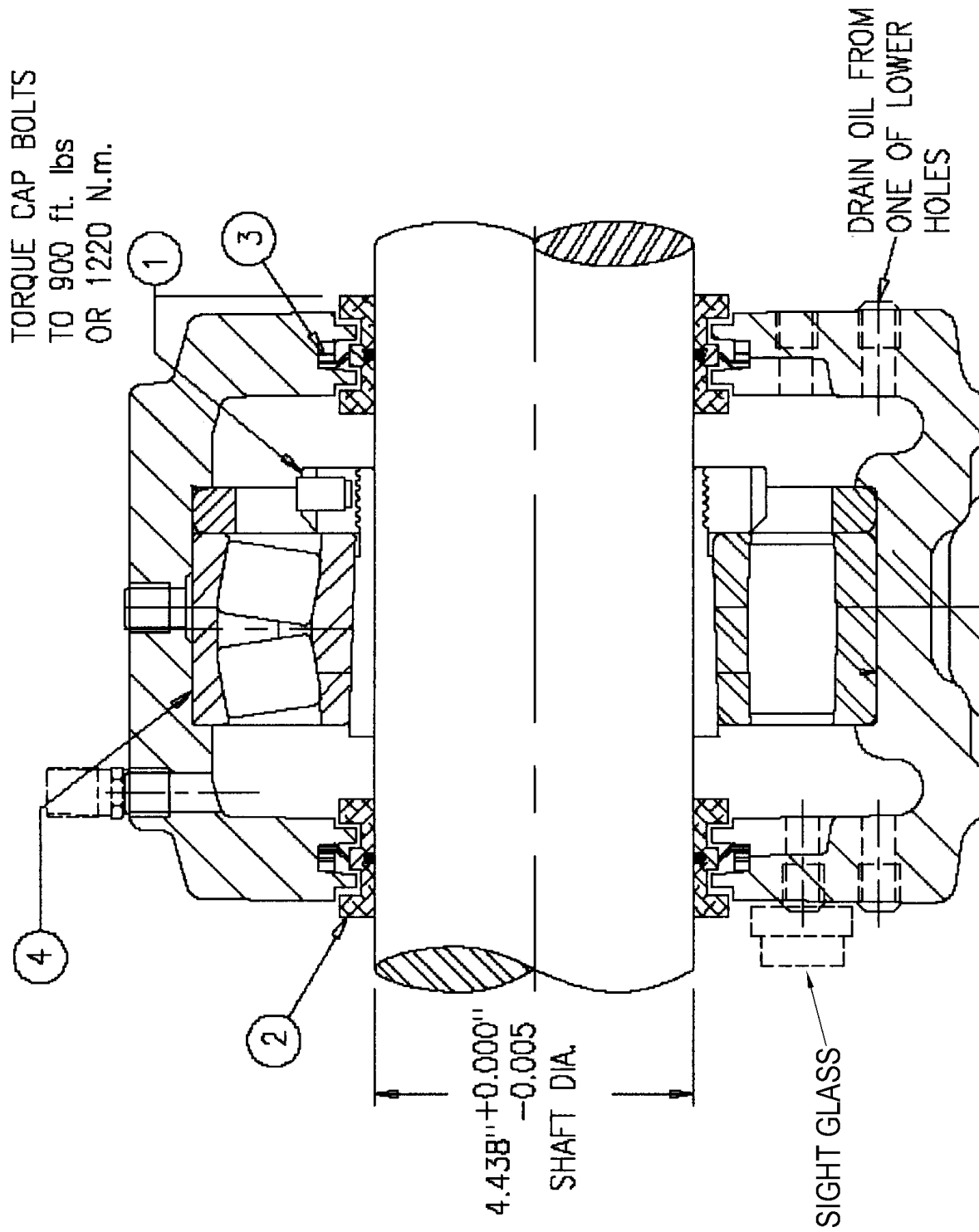
NOT SHOWN

2000548	BRG\PB\4-7/16\SEAL\HIGH>
4704428	RTR\NEW\56X2RD\4012 Includes 4,5,6,7,8,10,11,12,13,16,17,21,22
4704429	RTR\RBLT\56X2RD\4012
4704430	RTR\CORE\56X2RD\4012

SCREEN LIST

4703566	SCRN\1HL\1/2TW\DBLR
4703567	SCRN\1-1/2HL\1/2TW\DBLR
4703424	SCRN\2HL\1
4703423	SCRN\3HL\1
4703422	SCRN\4HL\1
4703426	SCRN\4-1/4X7HL\1
4703425	SCRN\6X9HL\1

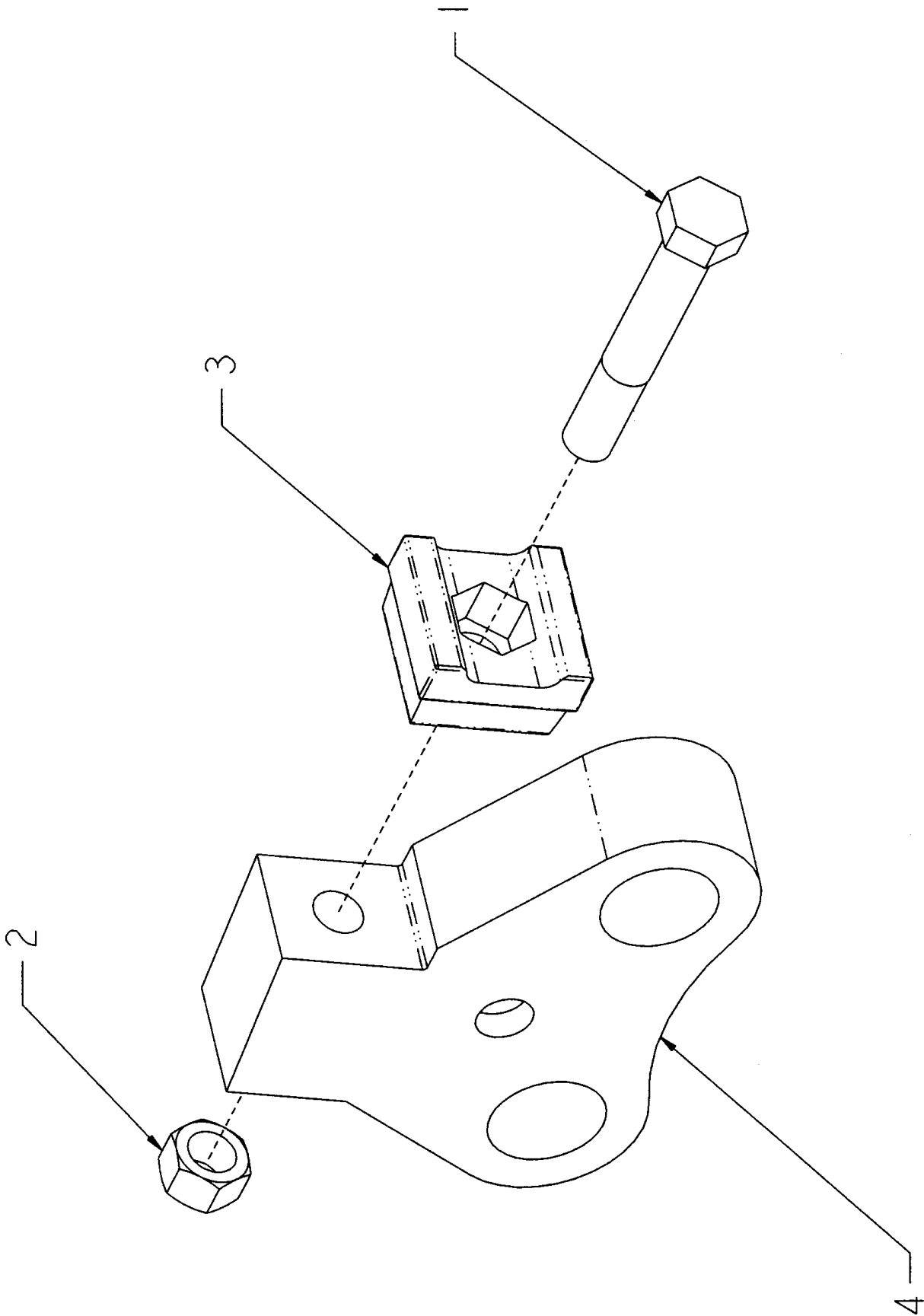
ROTOR ASSEMBLY - ROTOR BEARING



ROTOR ASSEMBLY - ROTOR BEARING

ITEM	PART	QTY.	PART DESCRIPTION
	2000546		BRG\PB\4-7/16\SKF\STEEL\ADPT;MNT\SPHERICAL
1	2000552	1	BRG\PB\4-7/16"\SLV&NUT
2	2000559	2	BRG\PB\4-7/16\SEAL\ALUM:RINGW/O'RING
3	2000548	2	BRG\PB\4-7/16\SEAL\HIGH;SPEED;TEFLON
4	2000561	1	BRG\INS\4-7/16\SKF\SPHER
	2000547		BRG\PB\4-7/16\SKF\STEEL\BRG\PB\4-7/16\SKF\STEEL\
1	2000552	1	BRG\PB\4-7/16"\SLV&NUT
2	2000559	2	BRG\PB\4-7/16\SEAL\ALUM:RINGW/O'RING
3	2000548	2	BRG\PB\4-7/16\SEAL\HIGH;SPEED;TEFLON
4	2000562	1	BRG\INS\4-7/16\SKF\CARB
	Not Shown		
	3800831		FTG\3/8MP\SIGHTGLASS
	3800832		FTG\3/4MP\SIGHTGLASS
	5700437		SNSR\GAGE\TEMP\KIT\ADP
	5700520		SNSR\GAGE\TEMP\DUAL\1/4MP
	3800380		FTG\VENT\1/8MP\321620

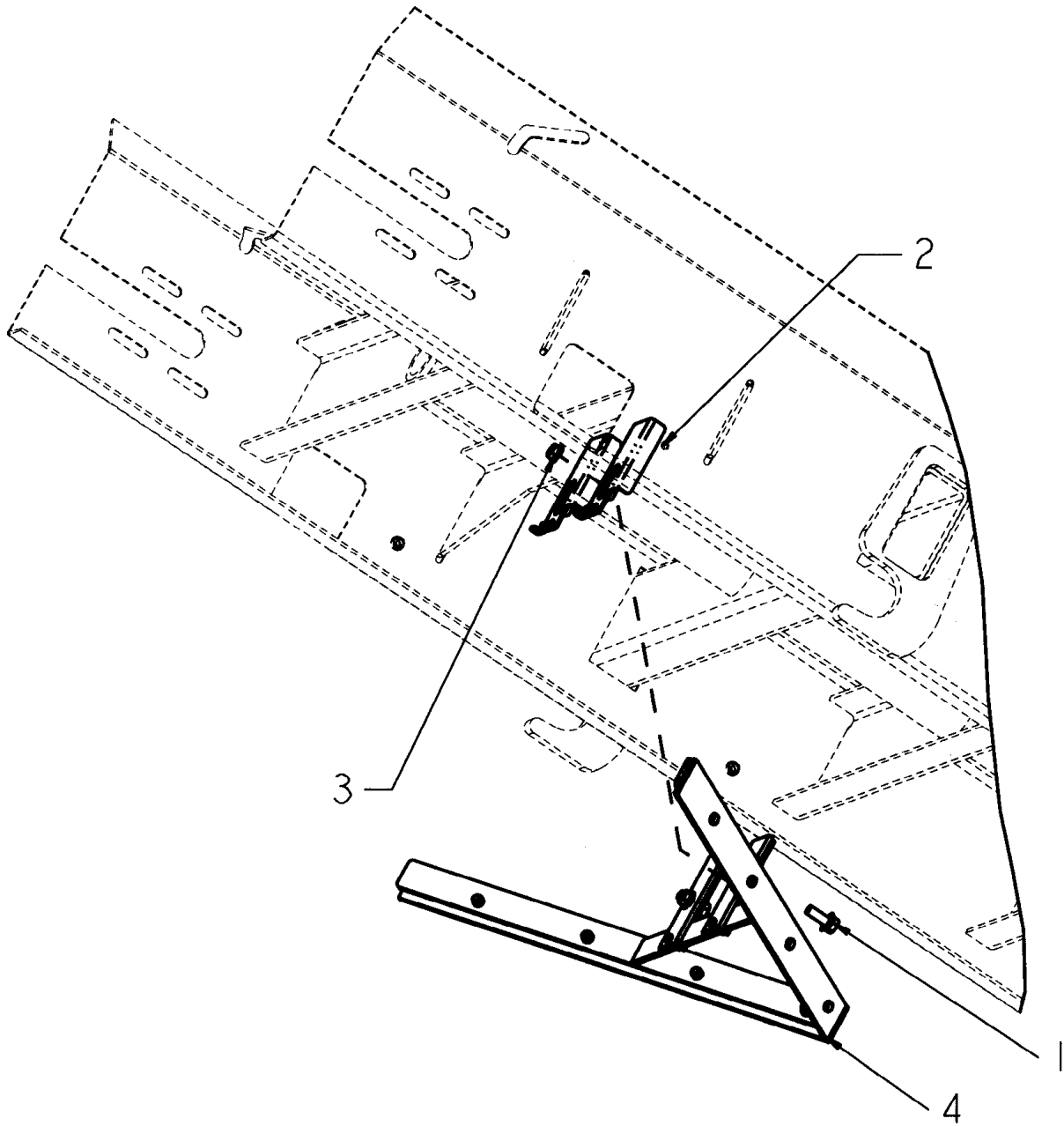
ROTOR ASSEMBLY - FIXED HAMMER ASSEMBLY



ROTOR ASSEMBLY - FIXED HAMMER ASSEMBLY

ITEM	PART	QTY.	PART DESCRIPTION
1	4800563	1	BOLT\HEX\7/8X5-1/2\GR9\NF
2	4900148	1	NUT\TPLCK\7/8\GR9\NF
3	5200132	1	HMMR\TIP\1-HOLE
4	5200222	1	HMMR\FIXED\BASE\1;BOLT\2ROD
	5200223		HMMR\FIXED\COMPL\2ROD\2-1/4T\SINGLE;BOLT

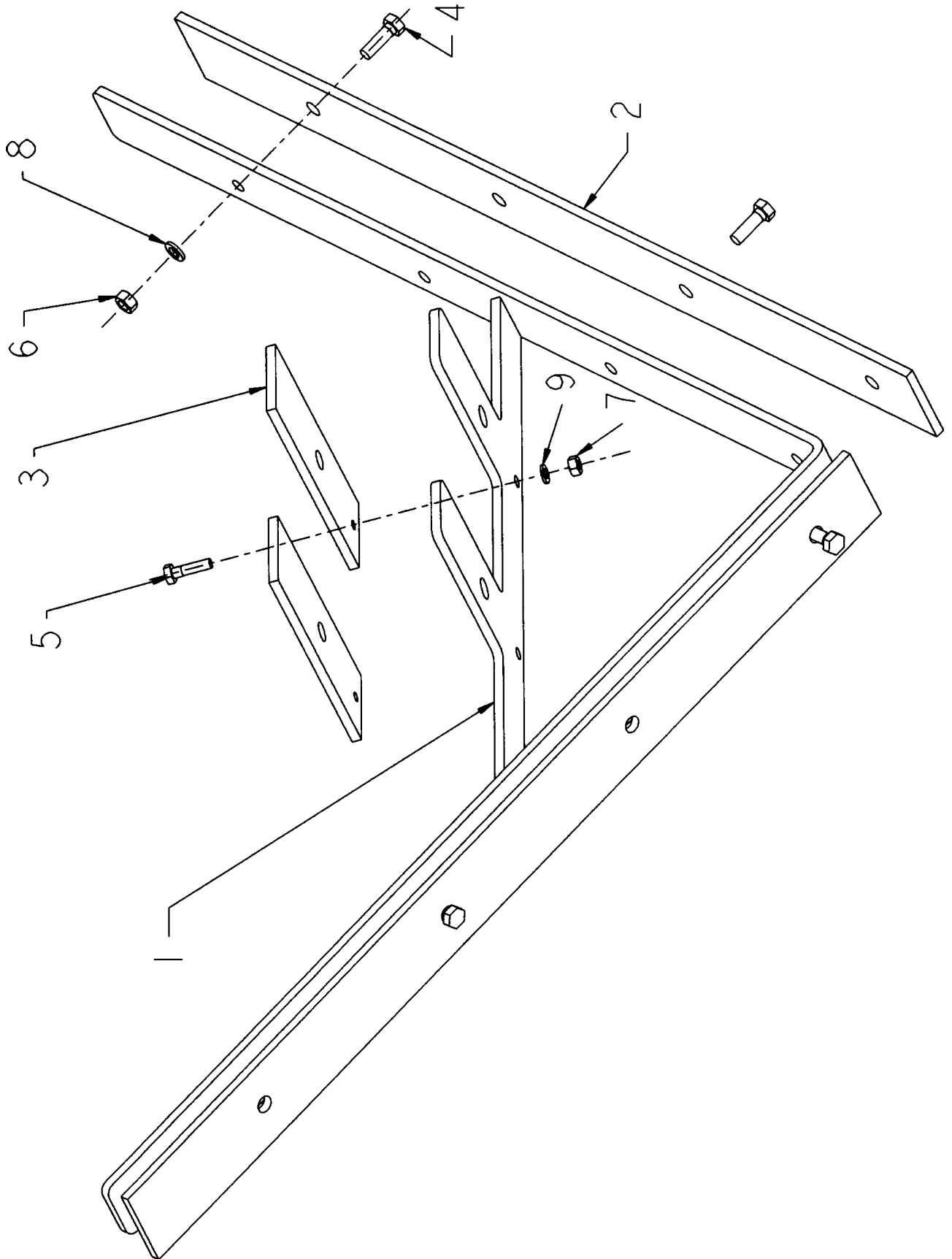
BELLY CONVEYOR ASSEMBLY - BELT SCRAPER



BELLY CONVEYOR ASSEMBLY - BELT SCRAPER

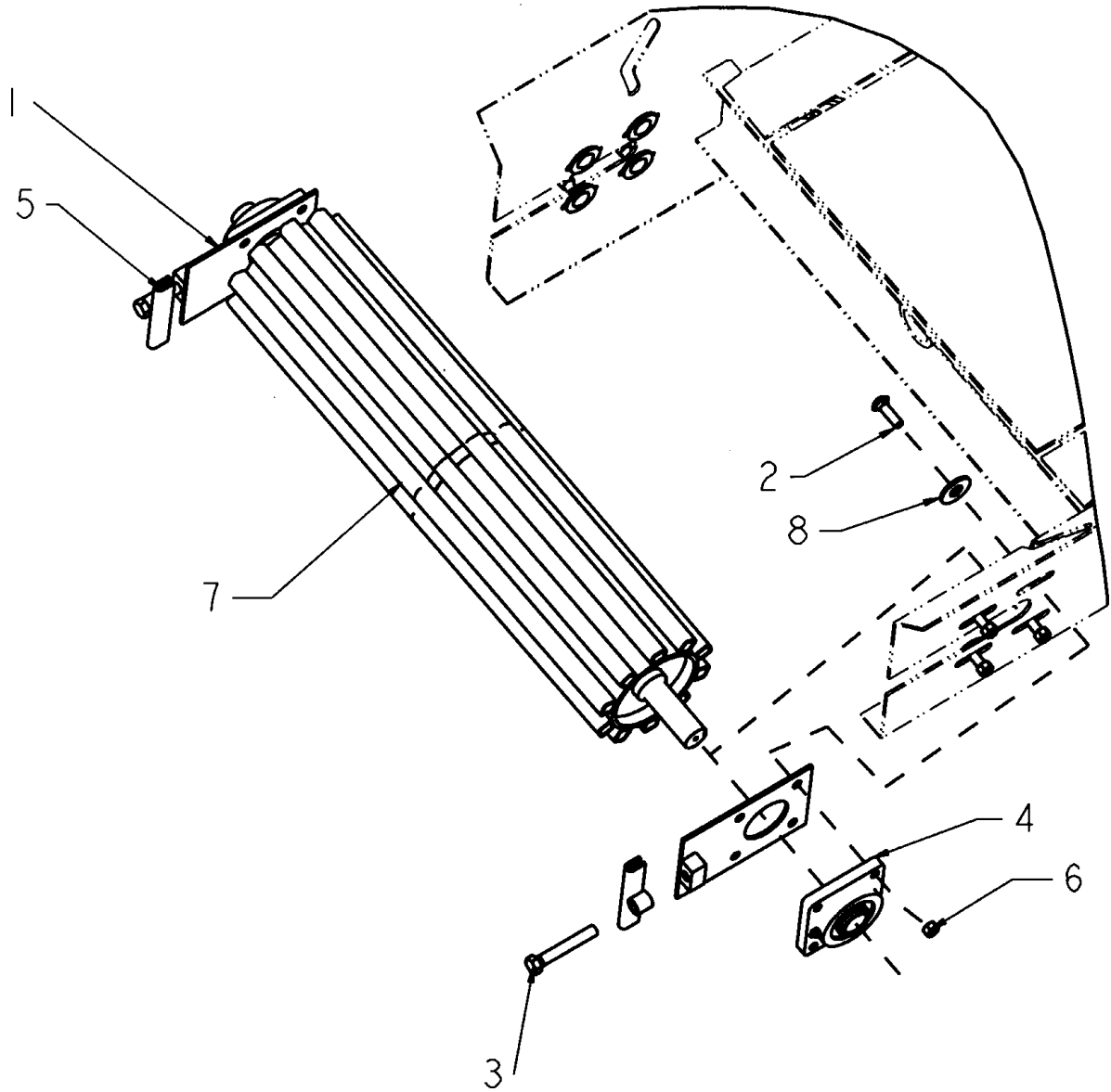
ITEM	PART	QTY.	PART DESCRIPTION
1	4800928	2	BOLT\FLG\SERR\1/2X1-1/4\NC
2	4703247	1	FRM\CNVYR\BELLY\4012
3	4900100	2	NUT\FLG\TPLCK\1/2\NC
4	4703296	1	SCRPR\BELT\CNVY\BELLY

BELLY CONVEYOR ASSEMBLY - SCRAPER ASSEMBLY



BELLY CONVEYOR ASSEMBLY - SCRAPER ASSEMBLY

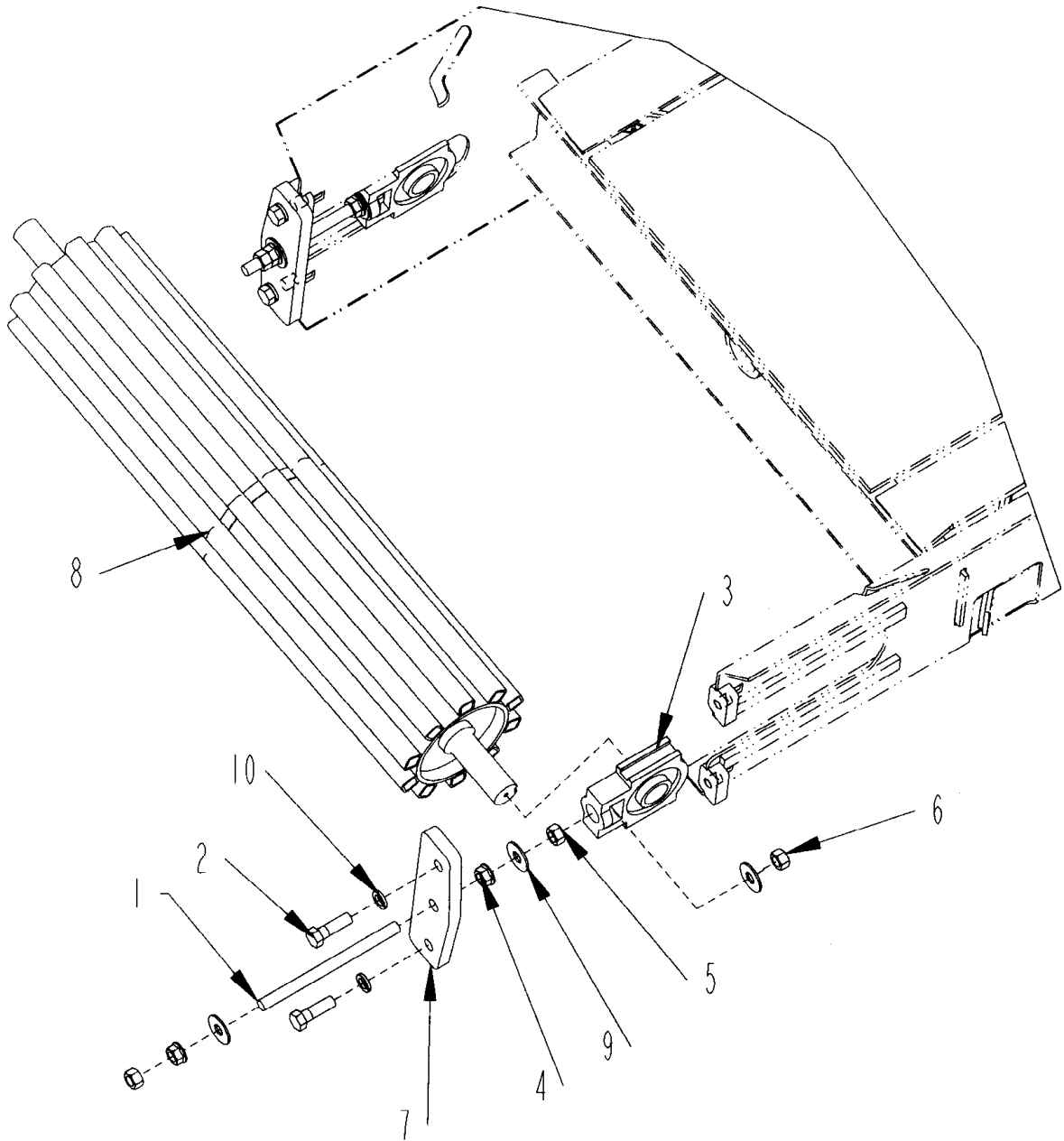
ITEM	PART	QTY.	PART DESCRIPTION
	4703296		SCRPRBELT\CNVYR\BELLY
1	4703292	1	FRM\SCRPR\BELT\CNVYR\BELLY
2	4703293	2	SCRPR\PLASTIC\CNVYR\BELLY
3	4703295	2	WEAR\SUPRT\SCRPR\CONVYR\BELLY
4	4800013	8	BOLT\HEX\5/16X1
5	4800277	2	BOLT\HEX\1/4X1
6	4900003	8	NUT\HEX\5/16\NC
7	4900009	2	NUT\HEX\1/4\NC
8	5000022	8	WASH\LOCK\5/16
9	5000024	2	WASH\LOCK\1/4



BELLY CONVEYOR ASSEMBLY - BELT PULLEY S.N. 101 - 110

ITEM	PART	QTY.	PART DESCRIPTION
1	4703260	2	ASYBRKT\ADJ\TRCKG\CNVYR
2	4800201	8	BOLT\CRG\1/2X1-3/4\NC\GR5
3	4800176	2	BOLT\HEX\5/8X4\FULL THRD
4	2000303	2	BRG\FLG\1-1/2\BOLT
5	4701529	2	HOOK\ROD\ADJ\BELT\CNVYR\DISCH
6	4900014	8	NUT\TPLCK\1/2\NC
7	4703225	1	RLLR\35X8\CNVYR\4012
8	5000005	8	WASH\FLAT\3/4

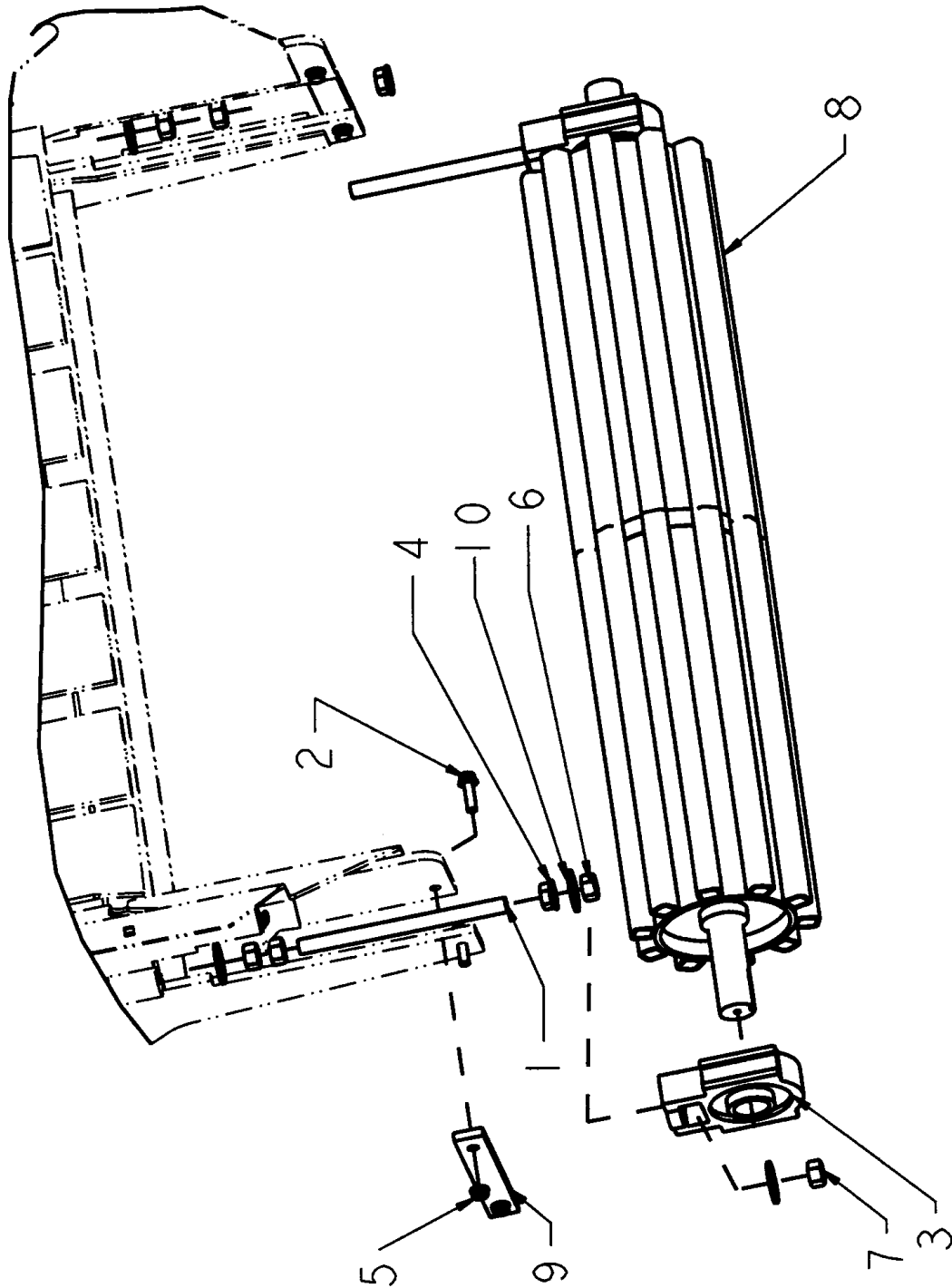
BELLY CONVEYOR ASSEMBLY - BELT PULLEY S.N. 111 & UP



BELLY CONVEYOR ASSEMBLY - BELT PULLEY S.N. 111 & UP

ITEM	PART	QTY.	PART DESCRIPTION
1	4703266	2	BOLT\ADJ\RLLR\DRV\CNVYR
2	4800010	4	BOLT\HEX\5/8X2
3	2000320	2	BRG\TUU\1-1/2\W-ECC\BSEAL
4	4900110	4	NUT\FLG\SERR\5/8\NC
5	4900005	4	NUT\HEX\5/8\NC
6	4900012	2	NUT\PLCK\5/8\NC
7	4704464	2	PL\ADJ\BRG\PLLY\IDLER
8	4703225	1	RLLR\35X8\CNVYR\4012
9	5000002	6	WASH\FLAT\5/8
10	5000003	4	WASH\LOCK\5/8

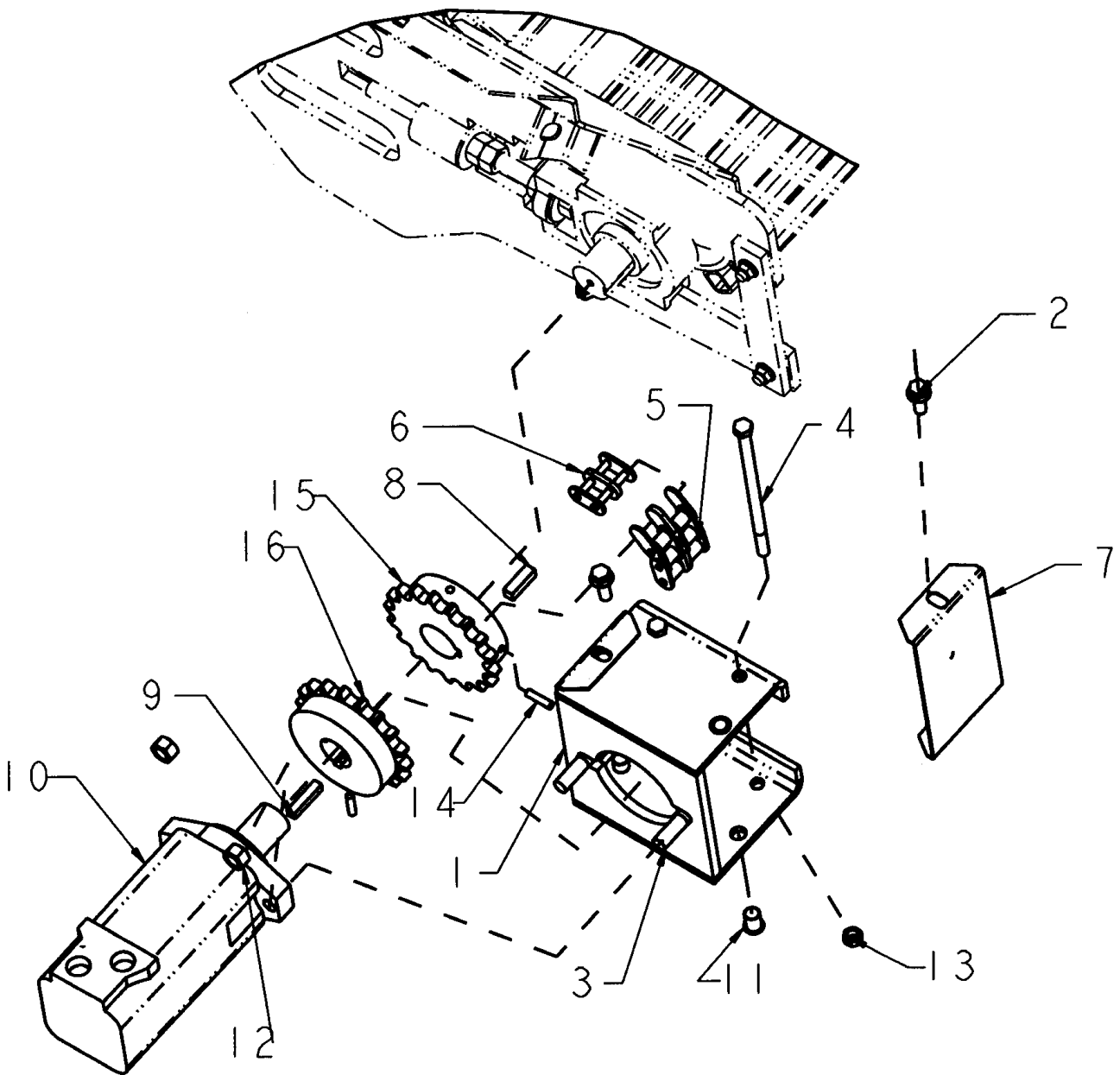
BELLY CONVEYOR ASSEMBLY - BELT DRIVE PULLEY



BELLY CONVEYOR ASSEMBLY - BELT DRIVE PULLEY

ITEM	PART	QTY.	PART DESCRIPTION
1	4703266	2	BOLT\ADJ\RLLR\DRV\CNVYR
2	4800914	4	BOLT\FLG\SERR\3/8X1-1/4\NC
3	2000320	2	BRG\TUU\1-1/2\W-ECC\BSEAL
4	4900110	2	NUT\FLG\SERR\5/8\NC
5	4900109	4	NUT\FLG\TPLCK\3/8\NC
6	4900005	6	NUT\HEX\5/8\NC
7	4900012	2	NUT\TPLCK\5/8\NC
8	4703225	1	RLLR\35X8\CNVYR\4012
9	4702204	2	STRAP\REINFRC\GUIDE\BRG\CNVYR
10	5000002	6	WASH\FLAT\5/8

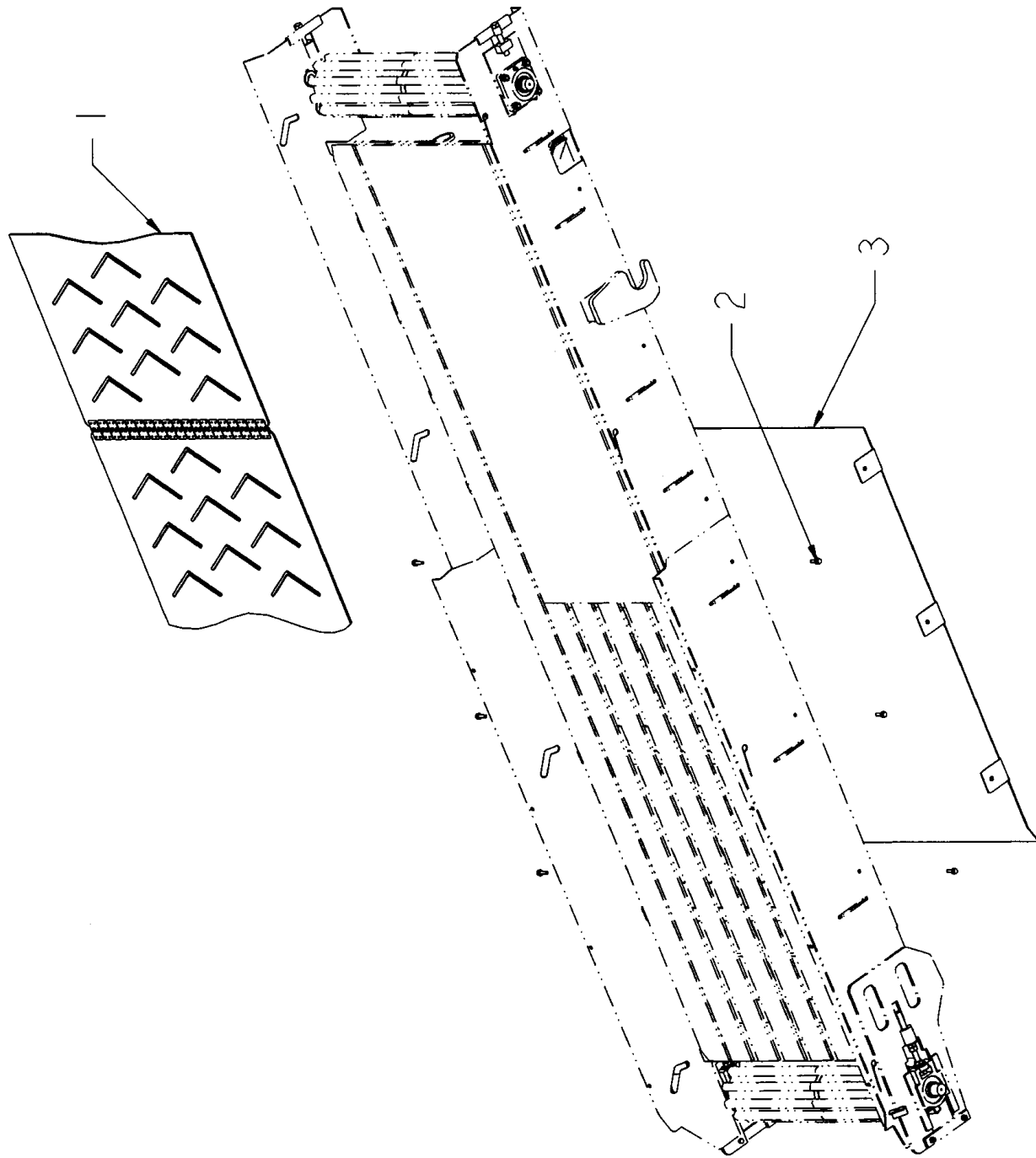
BELLY CONVEYOR ASSEMBLY - BELT DRIVE MOTOR



BELLY CONVEYOR ASSEMBLY - BELT DRIVE MOTOR

ITEM	PART	QTY.	PART DESCRIPTION
1	4703226	1	ASYMNT\MOTOR\DRV\CNVYR
2	4800913	4	BOLT\FLG\SERR\3\8X1\NC
3	4800178	2	BOLT\HEX\1\2X1-3\4
4	4800580	2	BOLT\HEX\3\8X7
5	1100066	1	CHAIN\60DBL\17
6	1100064	1	CHAIN\60DBL\CL
7	4703227	2	GUARD\SPKT\CPLG\DRV\CNVYR
8	6200027	1	KEY\SQ\3\8X1-1\4
9	6200004	1	KEY\SQ\5\16X1-1\2
10	3900005	1	MTR\HYD\14.9\2000\SAE;A
11	4900082	4	NUT\INSERT\3\8\027X150GR
12	4900014	2	NUT\TPLCK\1\2\NC
13	4900082	2	NUT\INSERT\3\8\027X.150GR
14	4800336	2	SCR\SET\ALN\1\4X1\NC
15	1000081	1	SPKT\60\B\18\1-1\2\3\8KW
16	1000054	1	SPKT\60\B\18\1-1\4\5\16KW

BELLY CONVEYOR ASSEMBLY - CONVEYOR BELT & BELLY PAN



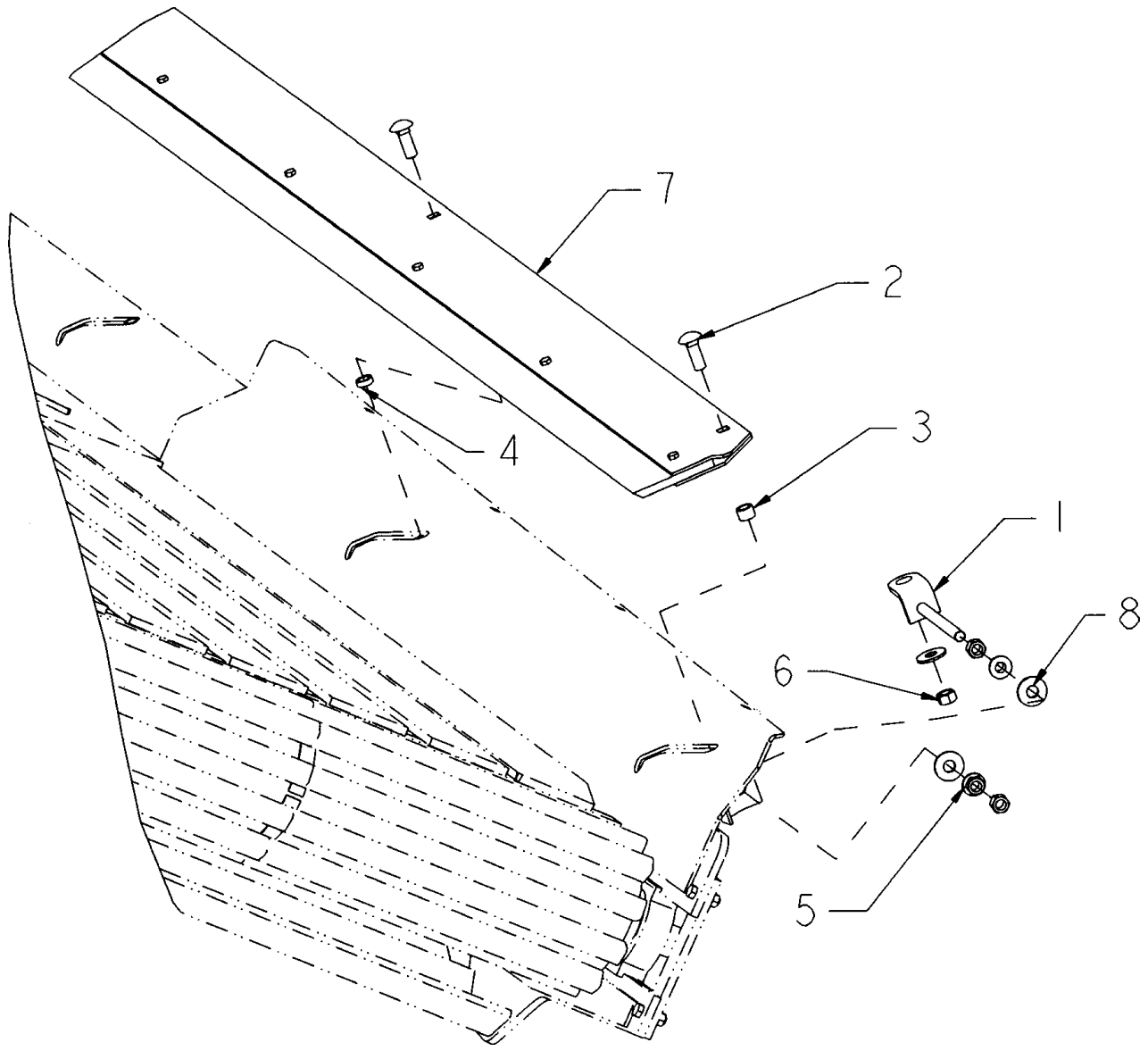
BELLY CONVEYOR ASSEMBLY - CONVEYOR BELT & BELLY PAN

ITEM	PART	QTY.	PART DESCRIPTION
1	1700164	1	BELT\CNVYR\36X311\VCLEAT\330LB
2	4800914	6	BOLT\FLG\SERR\3/8X1-1/4\NC
3	4703602	1	PAN\CNVYR\BELLY

LACING INFORMATION

1700176	1	LCNG\R-2\36
1700177	1	LCNG\CBL\R-2\36\W/CL
1700132	84	LCNG\RIVET\R-2\PURCH
1700129		LCNG\TOOL\R-2\SNGL
1700137		LCNG\TOOL\R-2\41213

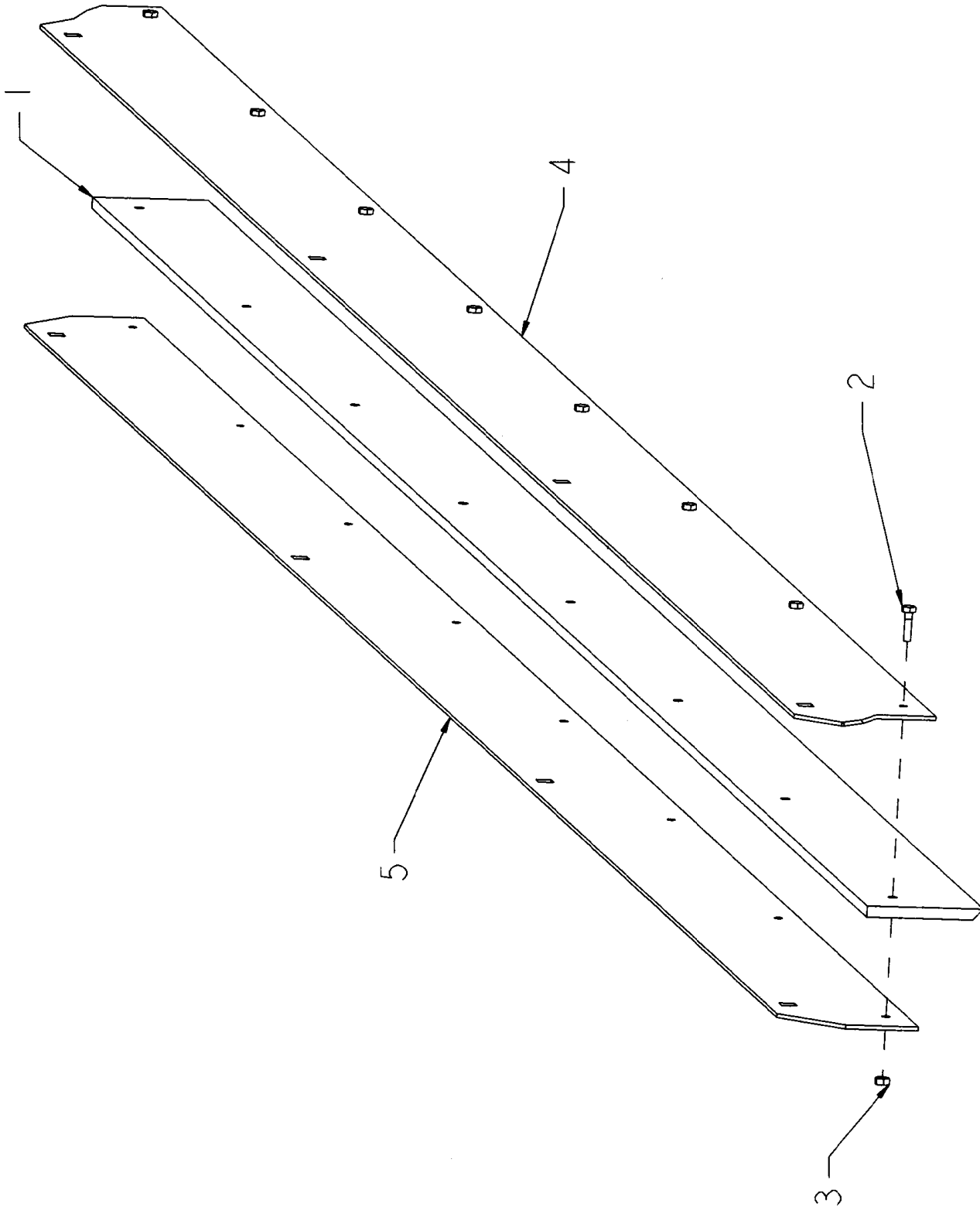
BELLY CONVEYOR ASSEMBLY - ADJUSTABLE BELT SEAL



BELLY CONVEYOR ASSEMBLY - ADJUSTABLE BELT SEAL

ITEM	PART	QTY.	PART DESCRIPTION
1	4703250	2	ASYADJ\SEAL\BELT\CNVYR
2	4800061	8	BOLT\CRG\1/2X1-1/2\NC
3	4703255	2	BUSH\ADJ\REAR\SEAL\BELT
4	4703253	6	BUSH\ADJ\SEAL\BELT
5	4900133	4	NUT\FLG\1/2\NC
6	4900014	12	NUT\PLCK\1/2\NC
7	4703248	2	SEAL\BELT\CNVYR\BELLY4012
8	5000004	12	WASH\FLAT\1/2

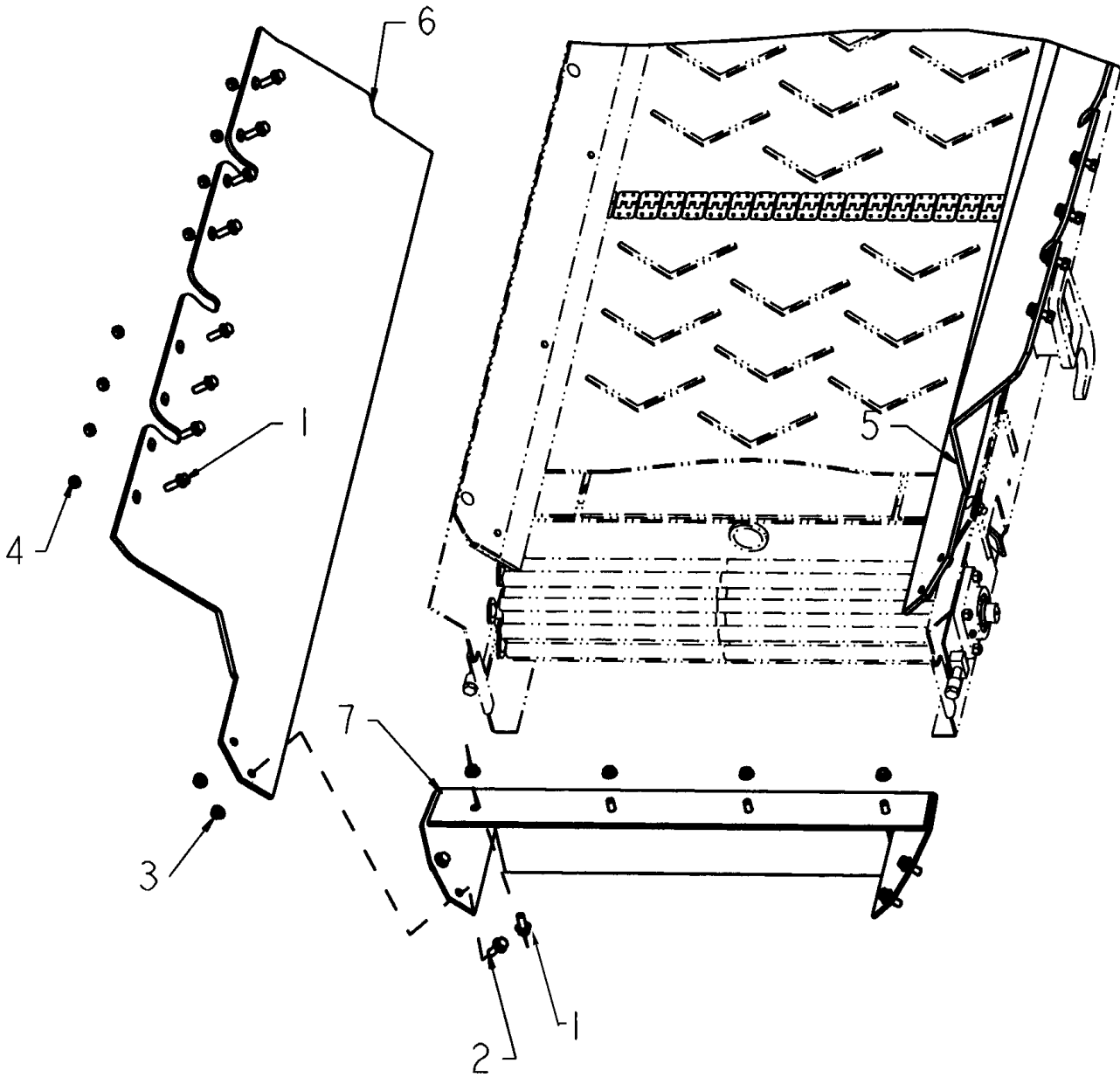
BELLY CONVEYOR ASSEMBLY - EDGE SEAL



BELLY CONVEYOR ASSEMBLY - EDGE SEAL

ITEM	PART	QTY.	PART DESCRIPTION
	4703248		COMPLETE ASSEMBLY
1	4703249	1	SEAL\BELT\CNVYR\BELLY
2	4800277	8	BOLT\HEX\1/4X1
3	4900084	8	NUT\TPLCK\1/4\NC
4	4704001	1	PL\MOUNT\INT\SEAL\CNVYR\BELLY
5	4704002	1	PL\MOUNT\EXT\SEAL\CNVYR\BELLY

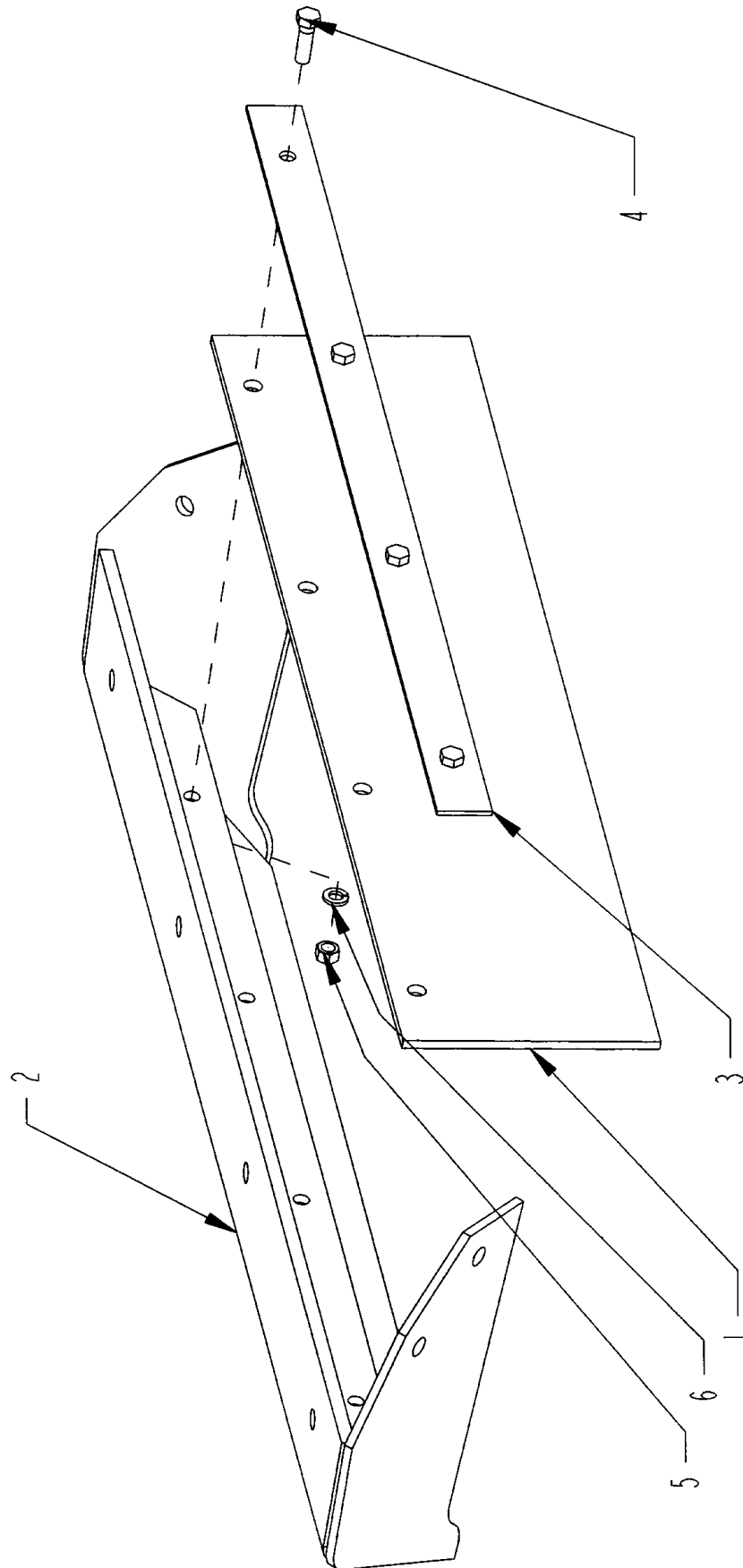
BELLY CONVEYOR ASSEMBLY - SIDE PLATES & BELT SEAL



BELLY CONVEYOR ASSEMBLY - SIDE PLATES & BELT SEAL

ITEM	PART	QTY.	PART DESCRIPTION
1	4800929	20	BOLT\FLG\SERR\1/2X1-1/2\NC
2	4800928	4	BOLT\FLG\SERR\1/2X1-1/4\NC
3	4900100	8	NUT\FLG\TPLCK\1/2\NC
4	4900014	16	NUT\TPLCK\1/2\NC
5	4703251	1	PL\GD\MTRL\LH\CNVYR\BLLY
6	4703252	1	PL\GD\MTRL\RH\CNVYR\BLLY
7	4703232	1	SEAL\ASY\FRNT\CNVYR\BELLY

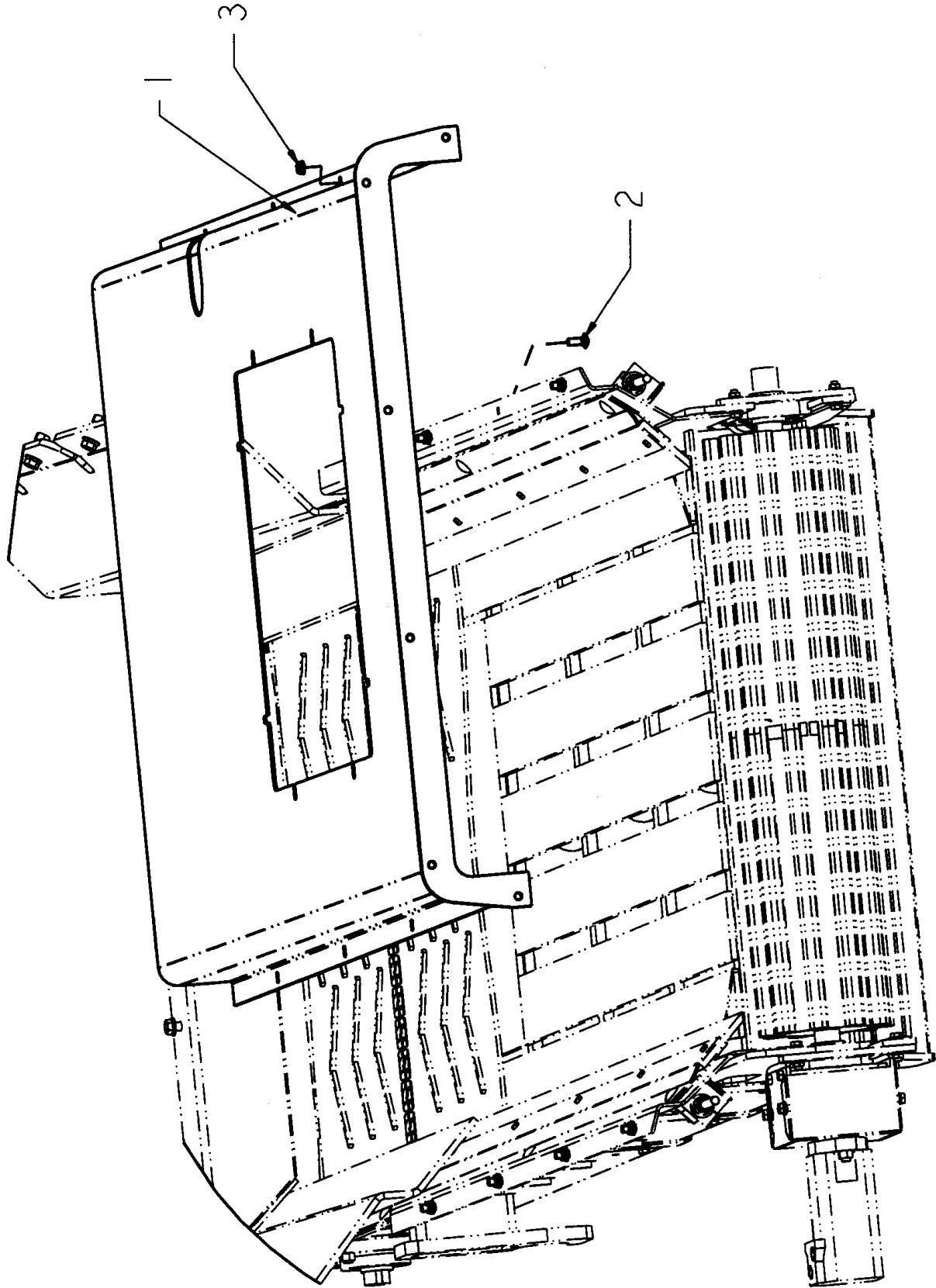
BELLY CONVEYOR ASSEMBLY - FRONT SEAL ASSEMBLY



BELLY CONVEYOR ASSEMBLY - FRONT SEAL ASSEMBLY

ITEM	PART	QTY.	PART DESCRIPTION
1	1700179	1	SEAL\RBR\FRONT\CNVYR\BELLY
2	4703233	1	WLDMNT\SEAL\FRNT\CNVYR\BELLY
3	4703265	1	STRP\SUP\RBR\FRNT\CNVYR\BELLY
4	4800098	4	BOLT\HEX\3/8X1-1/4\NC
5	4900002	4	NUT\HEX\3/8\NC
6	5000019	4	WASH\LOCK\3/8

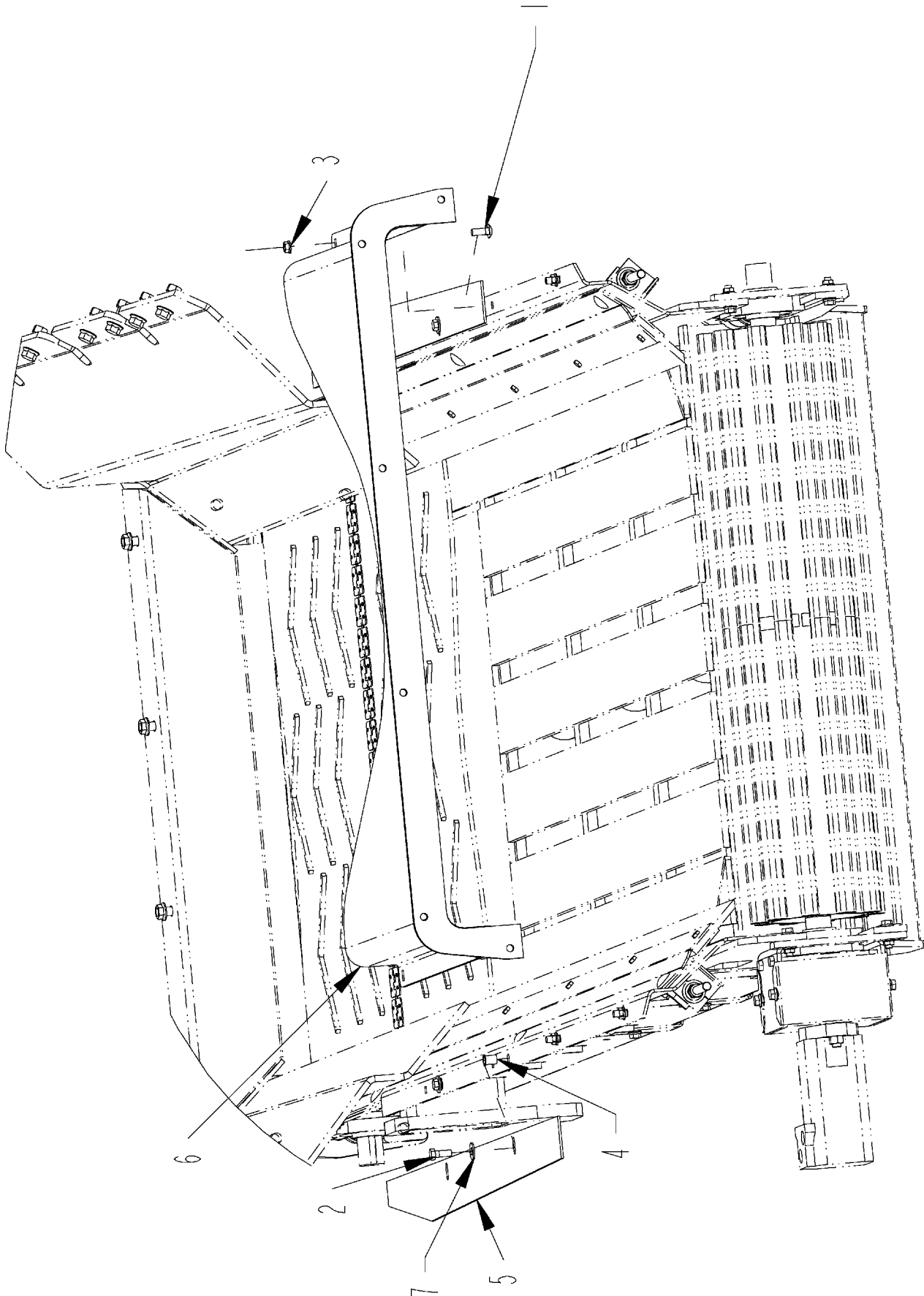
BELLY CONVEYOR ASSEMBLY - CONVEYOR COVER
S.N. UP TO 127



**BELLY CONVEYOR ASSEMBLY - CONVEYOR COVER
S.N. UP TO 127**

ITEM	PART	QTY.	PART DESCRIPTION
1	4703259	1	ASY\COVER\REAR\CNVYR\BELLY
2	4800053	8	BOLT\CRG\3/8X1\NC
3	4900109	8	NUT\FLG\TPLCK\3/8\NC

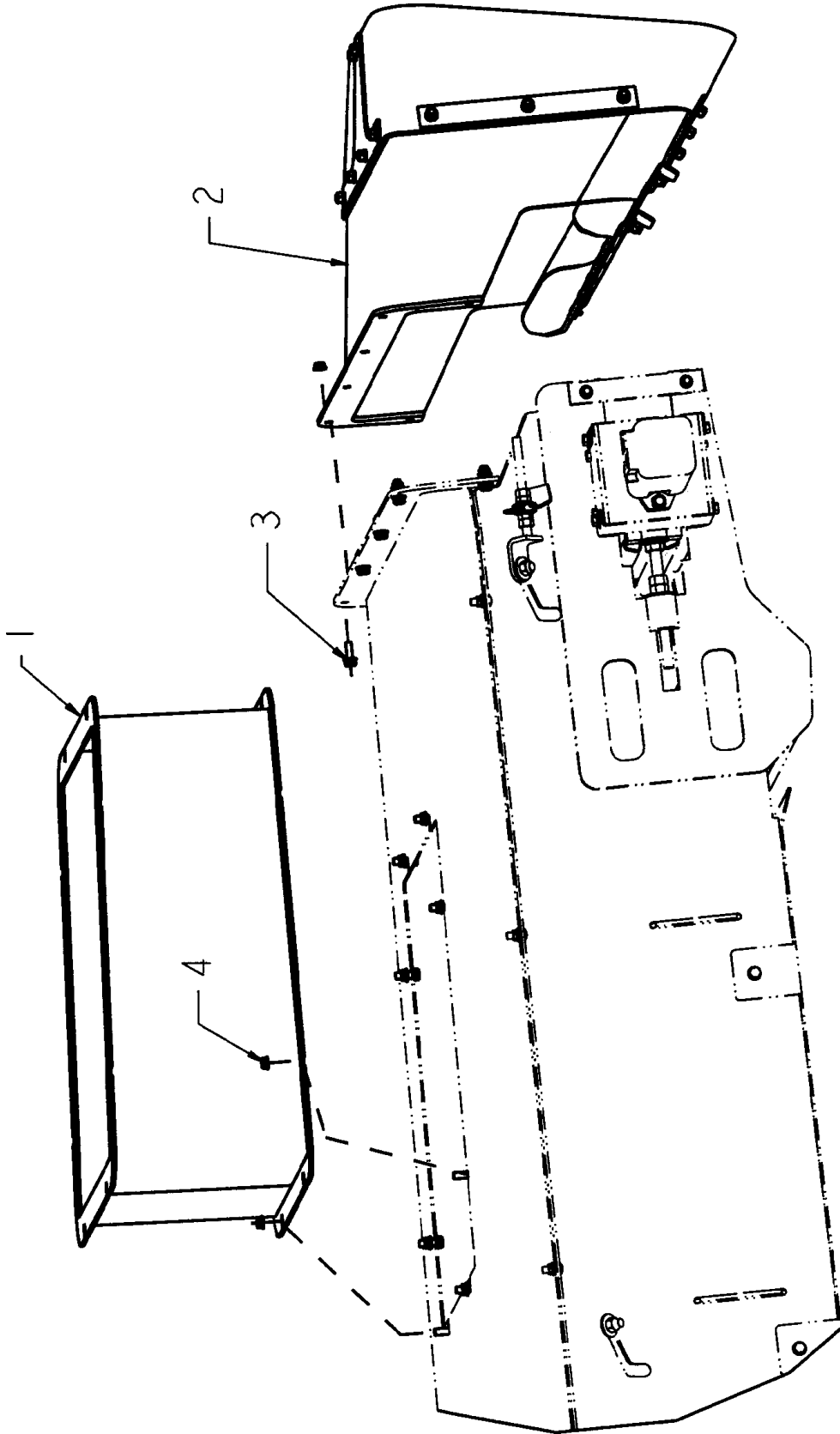
**BELLY CONVEYOR ASSEMBLY - CONVEYOR COVER
S.N. 128 AND UP**



**BELLY CONVEYOR ASSEMBLY - CONVEYOR COVER
S.N. 128 AND UP**

ITEM	PART	QTY.	PART DESCRIPTION
1	4800053	4	BOLT\CRG\3/8X1\NC
2	4800003	4	BOLT\HEX\3/8X1
3	4900109	4	NUT\FLG\TPLCK\3/8\NC
4	4900082	4	NUT\INSERT\3/8\027X.150GR
5	4704128	2	SEAL\BELLY
6	4704123	1	SPPT\CHUTE\CNVYR\BELLY
7	5000001	4	WASH\FLAT\3/8

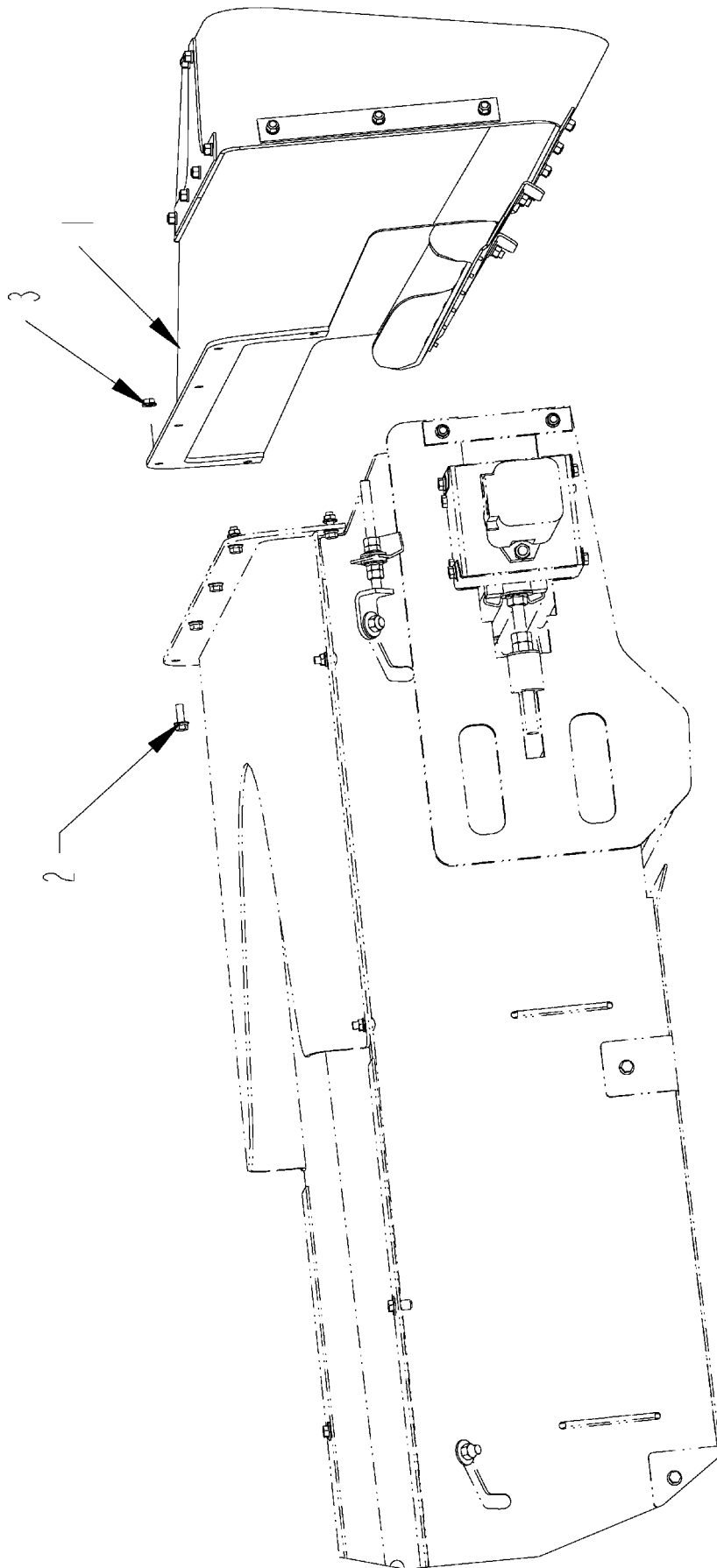
BELLY CONVEYOR ASSEMBLY - CHUTES S.N. UP TO 127



BELLY CONVEYOR ASSEMBLY - CHUTES S.N. UP TO 127

ITEM	PART	QTY.	PART DESCRIPTION
1	4703261	1	ASM\CHUTE\CNVYR\BELLY\REAR
2	4703279	1	ASY\GUIDE\MATERIAL\CNVYR\BELLY
3	4800913	14	BOLT\FLG\SERR\3/8X1\NC
4	4900109	14	NUT\FLG\TPLCK3/8\NC

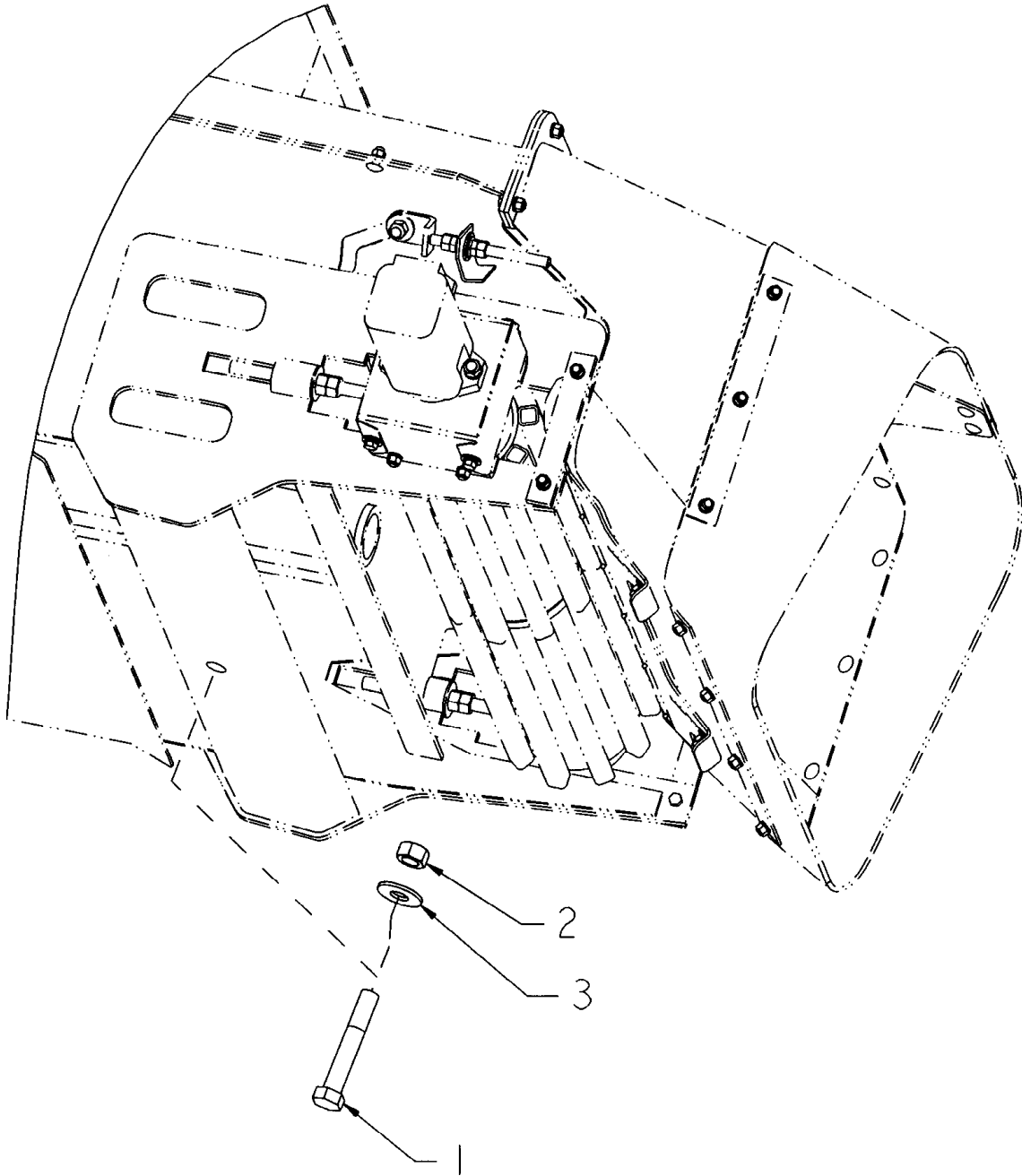
BELLY CONVEYOR ASSEMBLY - CHUTES S.N. 128 AND UP



BELLY CONVEYOR ASSEMBLY - CHUTES S.N. 128 AND UP

ITEM	PART	QTY.	PART DESCRIPTION
1	4703279	1	ASYGUIDEMATERIAL\CNVYR\BELLY
2	4800913	6	BOLT\FLG\SERR\3/8X1\NC
3	4900109	6	NUT\FLG\TPLCK\3/8\NC

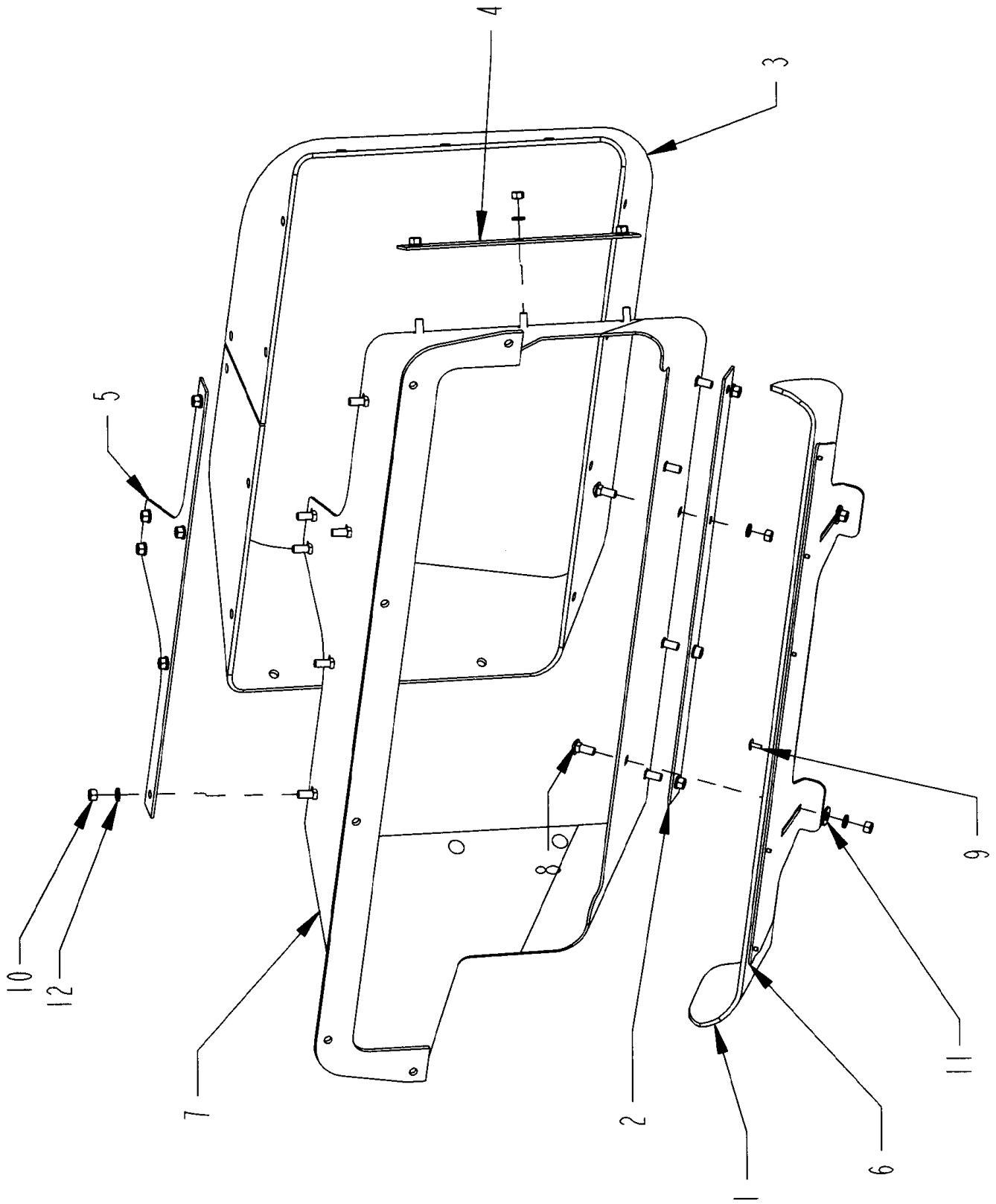
BELLY CONVEYOR ASSEMBLY - CONVEYOR PIN



BELLY CONVEYOR ASSEMBLY - CONVEYOR PIN

ITEM	PART	QTY.	PART DESCRIPTION
1	4800563	1	BOLT\HEX\7/8X5-1/2\GR9\NF
2	4900148	1	NUT\TPLCK\7/8\GR9\NF
3	5000098	1	WASH\FLAT\7/8

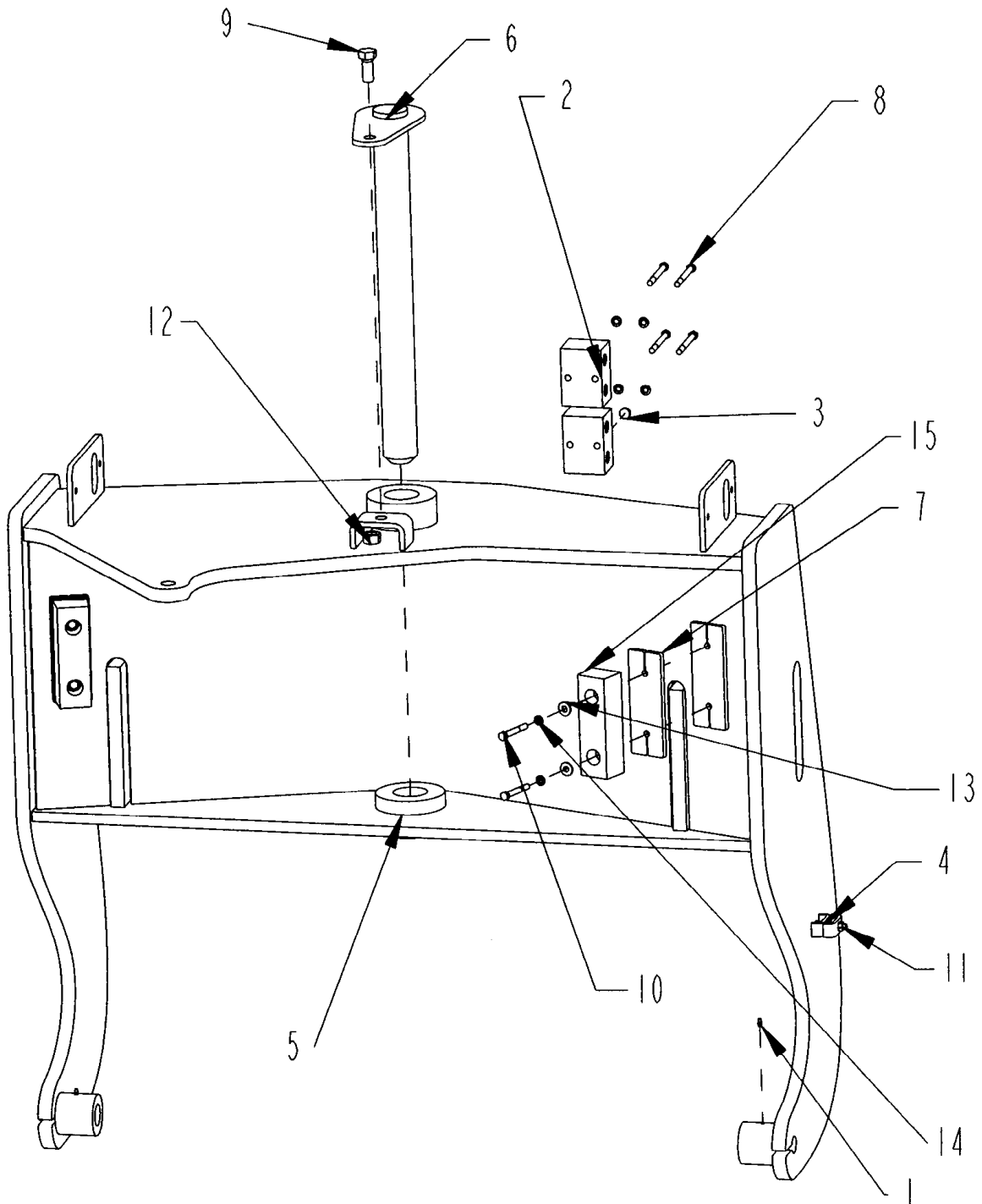
BELLY CONVEYOR ASSEMBLY - CHUTE ASSEMBLY



BELLY CONVEYOR ASSEMBLY - CHUTE ASSEMBLY

ITEM	PART	QTY.	PART DESCRIPTION
1	1700181	1	ADJ\SHLD\CNVYR\DSCHRG
2	4703264	1	STRP\SUP\RBR\GD\MATERIAL
3	1700180	1	RBR\GUIDE\MATERIAL\CNVYR\BELLY
4	4703280	2	STRP\SUP\RBR\GD\MATERIAL
5	4703287	1	PL\SUP\RBR\GD\MATERIAL
6	4703608	1	ADJ\BRKT\CHUTE\DSCHRG
7	4703609	1	CHUTE\CNVYR\BELLY
8	4800053	18	BOLT\CRG\3/8X1\NC
9	4801162	6	RIV\POP\FLNG\WD\3/16X9/16
10	4900002	18	NUT\HEX\3/8\NC
11	5000001	2	WASH\FLAT\3/8
12	5000019	18	WASH\LOCK\3/8

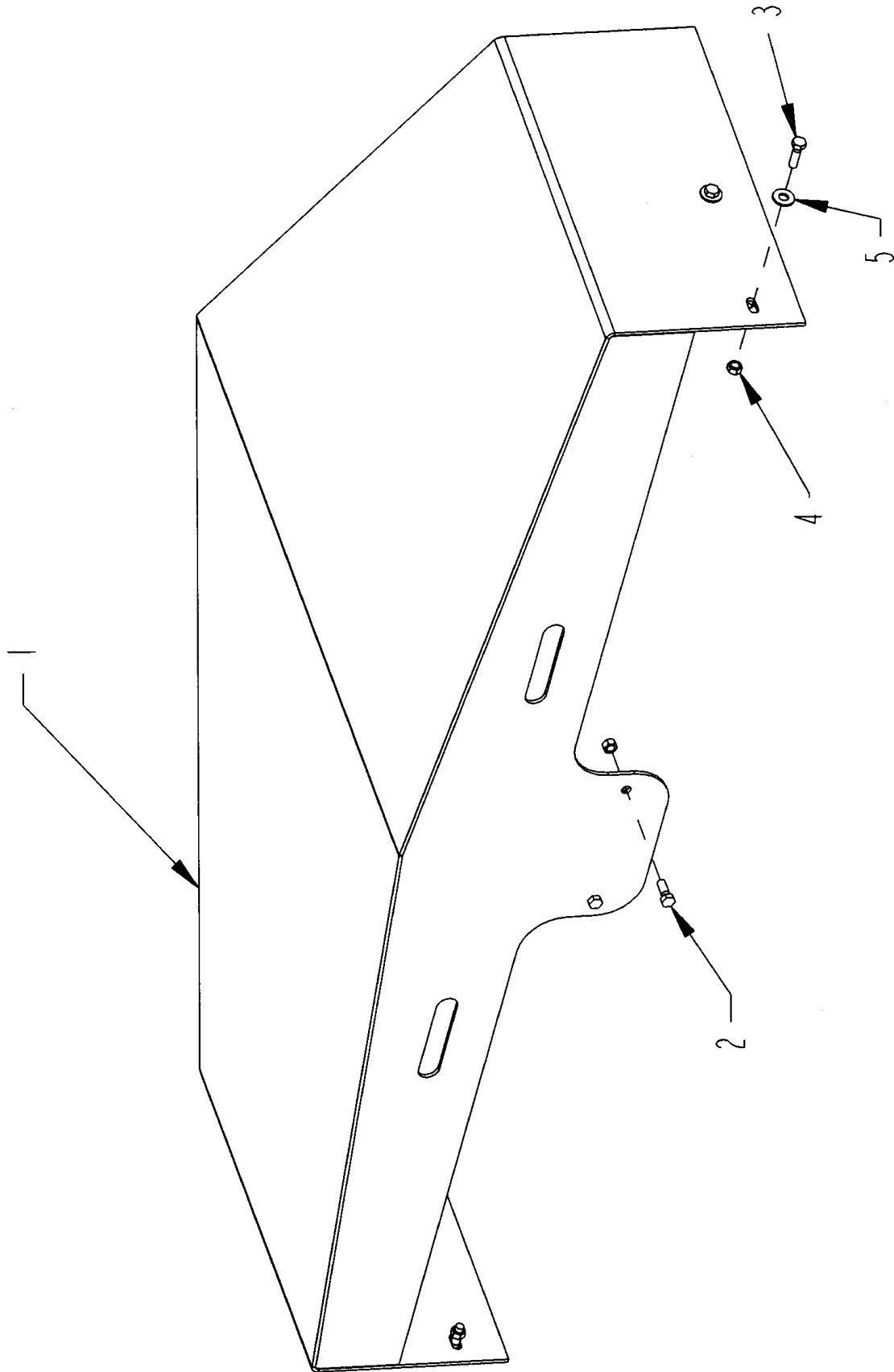
SWING ARM ASSEMBLY



SWING ARM ASSEMBLY

ITEM	PART	QTY.	PART DESCRIPTION
1	3800082	2	FTG\LUB\1\4NFXZERK\ADAPT
2	3800428	2	MNFLD\DBL;TEE\BLK\3\4FOR
3	3800683	1	FTG\9\16MOR\ORFICE\0.049
4	4700776	6	CLMP\HOSE\3\8
5	4703283	1	FRM\SWING\CNVYR\DISCH
6	4703285	1	PIN\PVT\FRM\SWING\CNVYR\DISCH
7	4703615	4	PL\SHIM\STOP\SWING
8	4800089	4	BOLT\HEX\3\8X4
9	4800469	1	BOLT\HEX\3\4X1-3\4
10	4800514	4	BOLT\HEX\3\8X2-3\4
11	4900023	4	NUT\TPLCK\3\8\NC
12	4900139	1	NUT\TPLCK\3\4\GR8\NC
13	5000001	4	WASH\FLAT\3\8
14	5000019	8	WASH\LOCK\3\8
15	7500635	2	CUSH\RBBR\7-3\4X2-7\16X2

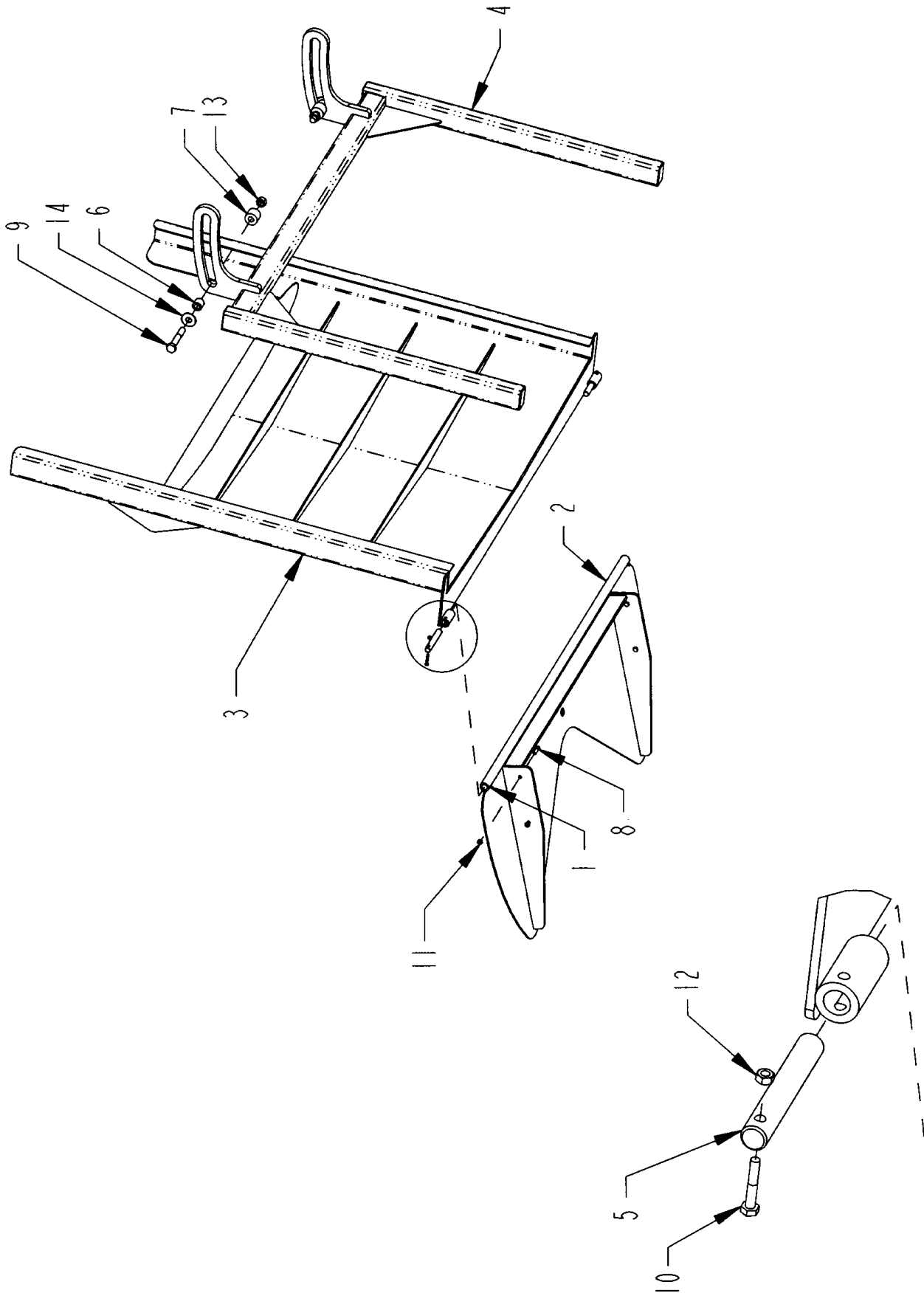
SWING FRAME SHIELD ASSEMBLY - S.N. 101 & UP



SWING FRAME SHIELD ASSEMBLY - S.N. 101 & UP

ITEM	PART	QTY.	PART DESCRIPTION
1	4703299	1	SHLD\SWING\FRM\CNVYR\DSCHR
2	4800003	2	BOLT\HEX\3/8X1
3	4800098	4	BOLT\HEX\3/8X1-1/4\NC
4	4900023	6	NUT\TPLCK\3/8\NC
5	5000001	4	WASH\FLAT\3/8

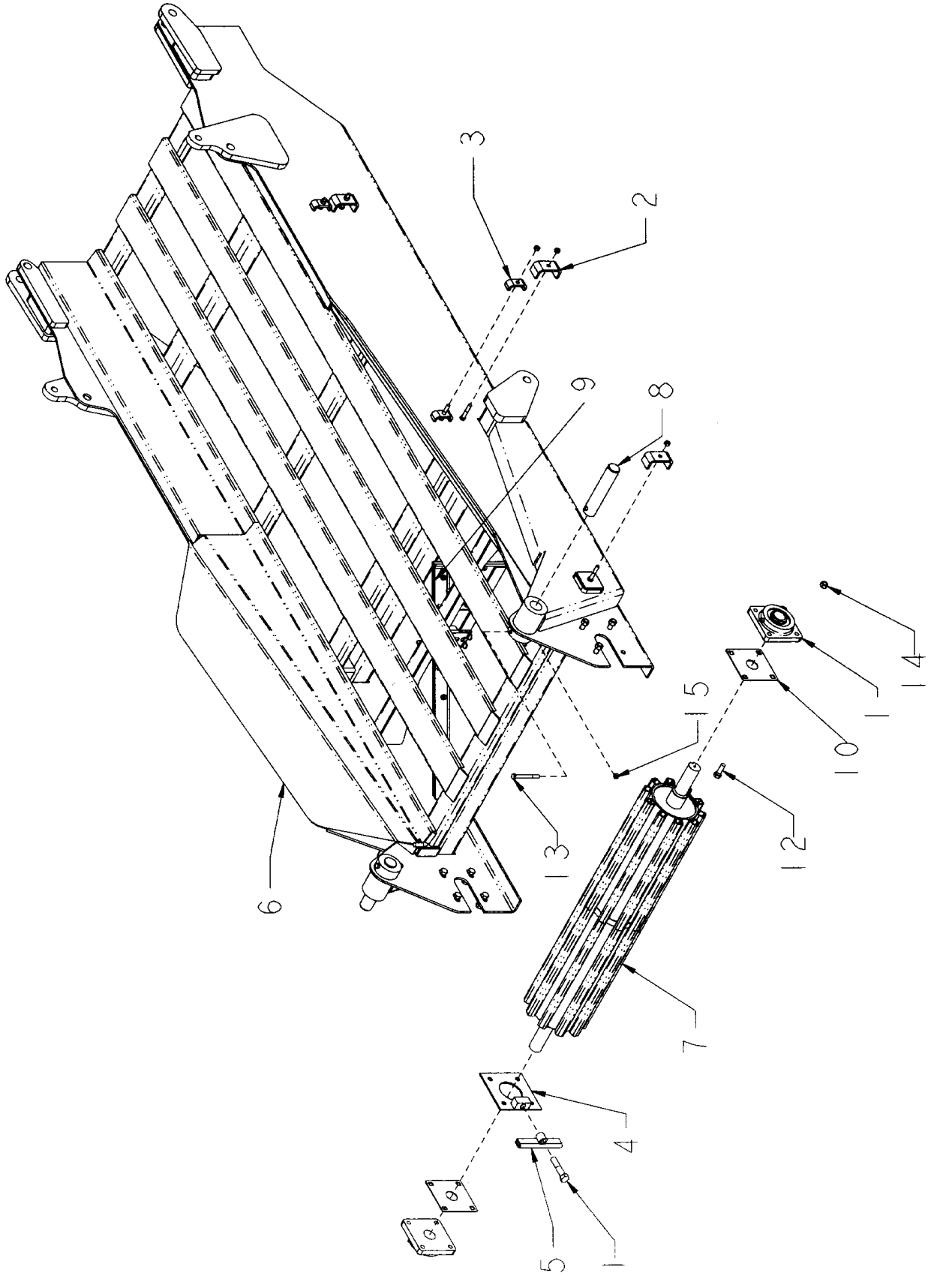
DISCHARGE CONVEYOR SHIELD ASSEMBLY - S.N. 101 & UP



DISCHARGE CONVEYOR SHIELD ASSEMBLY - S.N. 101 & UP

ITEM	PART	QTY.	PART DESCRIPTION
1	3800082	2	FTG\LUB\1/4NFXZERK\ADAPT
2	4703294	1	CVR\SHLD\CNVYR\DSCHR
3	4703297	1	CVR\SHLD\CNVYR\DSCHR
4	4703298	1	SUP\SHLD\CNVYR\DSCHR
5	4703300	2	PIN\SHLD\CNVYR\DSCHR
6	4703626	2	BSHNG\SLIDR\CVR\CNVYR\DISCH
7	4703627	2	TUBE\SPCR\HINGE\CVR\CNVYR
8	4800098	4	BOLT\HEX\3/8X1-1/4\NC
9	4800139	2	BOLT\HEX\3/4X4-1/2
10	4800505	2	BOLT\HEX\1/4X1-1/2\NC
11	4900023	4	NUT\TPLCK\3/8\NC
12	4900084	2	NUT\TPLCK\1/4\NC
13	4900139	2	NUT\TPLCK\3/4\GR8\NC
14	5000005	2	WASH\FLAT\3/4

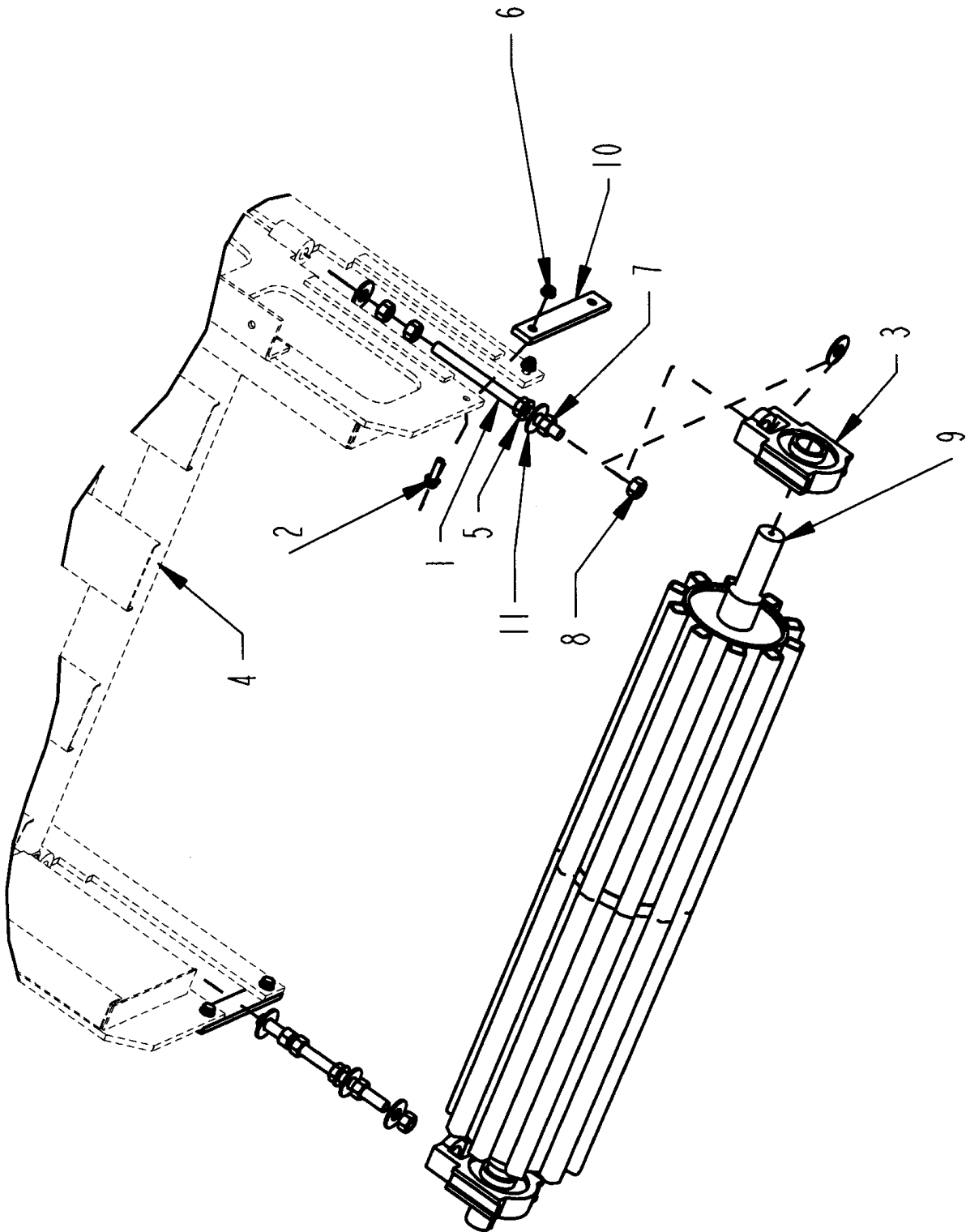
LOWER DISCHARGE CONVEYOR ASSEMBLY



LOWER DISCHARGE CONVEYOR ASSEMBLY

ITEM	PART	QTY.	PART DESCRIPTION
1	2000303	2	BRG\FLG\1-1/2\BOLT
2	4500893	3	CLMP\HOSE\3/4
3	4700776	6	CLMP\HOSE\3/8
4	4701528	1	BRKT\ADJ\TRACKING\CNVYR\DISCH
5	4701529	1	HOOK\ROD\ADJ\BELT\CNVYR\DISCH
6	4703208	1	FRM\CNVYR\DISCH\LWR
7	4703209	1	RLLR\35X8\CNVYR\4012
8	4703223	2	PIN\CNVYR\DISCH\LWR
9	4703296	1	SCRPR\BELT\CNVYR\BELLY
10	4704067	2	PL\SEAL\BRG-S/N 111 AND UP
11	4800021	1	BOLT\HEX\5/8X3
12	4800082	8	BOLT\HEX\1/2X1-1/2
13	4800197	2	BOLT\HEX\3/8X3-1/2
14	4900014	8	NUT\TPLCK\1/2\NC
15	4900023	9	NUT\TPLCK\3/8\NC

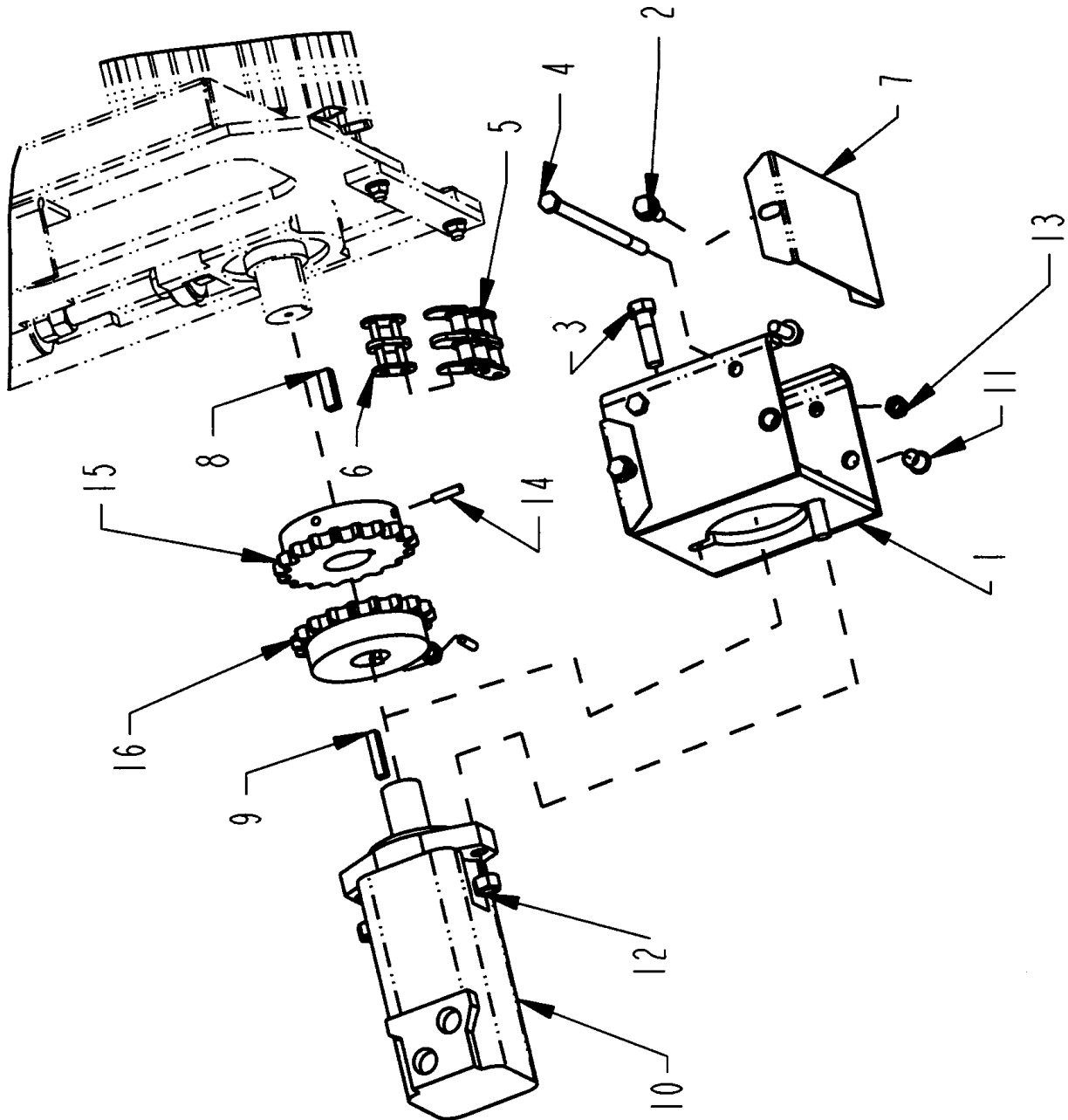
DISCHARGE CONVEYOR - ROLLER & BELT ADJUSTER



DISCHARGE CONVEYOR - ROLLER & BELT ADJUSTER

ITEM	PART	QTY.	PART DESCRIPTION
1	4703266	2	BOLT\ADJR\LLR\DRV\CNVYR
2	4800098	4	BOLT\HEX\3/8X1-1/4\NC
3	2000320	2	BRG\TUU\1-1/2\W-ECC\BSEAL
4	4703220	1	FRM\CNVYR\DISCH\UPPR SN 0100 THRU 0115
4A	4704079		FRM\CNVYR\DISCH\UPPR SN 0116 AND UP
5	4900110	2	NUT\FLG\SERR\5/8\NC
6	4900109	4	NUT\FLG\TPLCK\3/8\NC
7	4900005	6	NUT\HEX\5/8\NC
8	4900012	2	NUT\TPLCK\5/8\NC
9	4703209	1	RLLR\35X8\CNVYR\4012
10	4702204	2	STRAP\REINFRC\GUIDE\BRG\CNVYR
11	5000002	6	WASH\FLAT\5/8

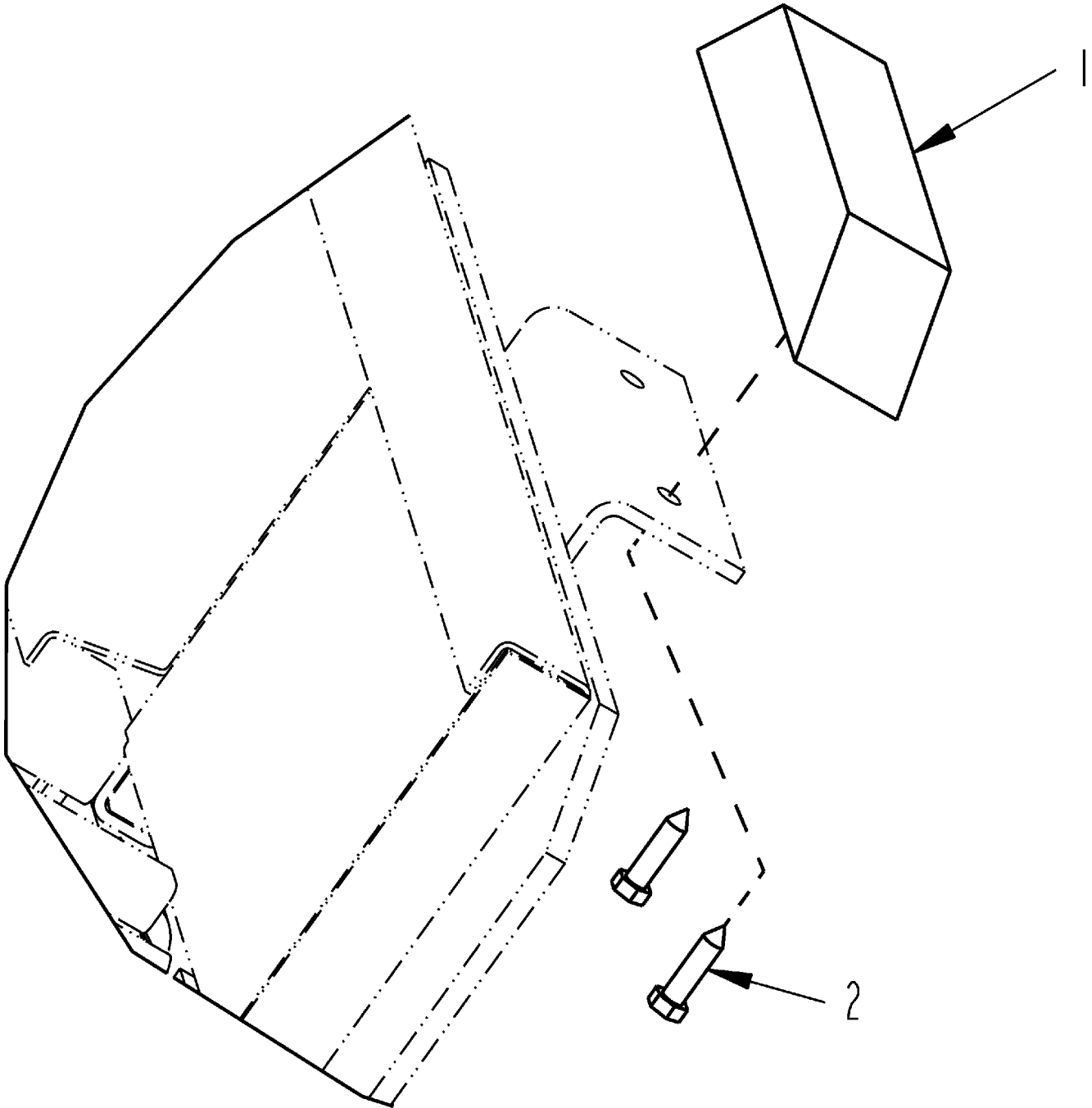
DISCHARGE CONVEYOR - BELT DRIVE MOTOR



DISCHARGE CONVEYOR - BELT DRIVE MOTOR

ITEM	PART	QTY.	PART DESCRIPTION
1	4703226	1	ASYMNT\MOTOR\DRV\CNVYR
2	4800913	4	BOLT\FLG\SERR\3\8X1\NC
3	4800178	2	BOLT\HEX\1\2X1-3\4
4	4800580	2	BOLT\HEX\3\8X7
5	1100066	1	CHAIN\60DBL\17
6	1100064	1	CHAIN\60DBL\CL
7	4703227	2	GUARD\SPKT\CPLG\DRV\CNVYR
8	6200027	1	KEY\SQ\3\8X1-1\4
9	6200004	1	KEY\SQ\5\16X1-1\2
10	3900027	1	MTR\HYD\29.8\2000\SAE;A
11	4900082	4	NUT\INSERT\3\8\1.027X.150GR
12	4900014	2	NUT\TPLCK\1\2\NC
13	4900023	2	NUT\TPLCK\3\8\NC
14	4800336	2	SCR\SET\ALN\1\4X1\NC
15	1000081	1	SPKT\60\B\18\1-1\2\3\8KW
16	1000054	1	SPKT\60\B\18\1-1\4\5\16KW

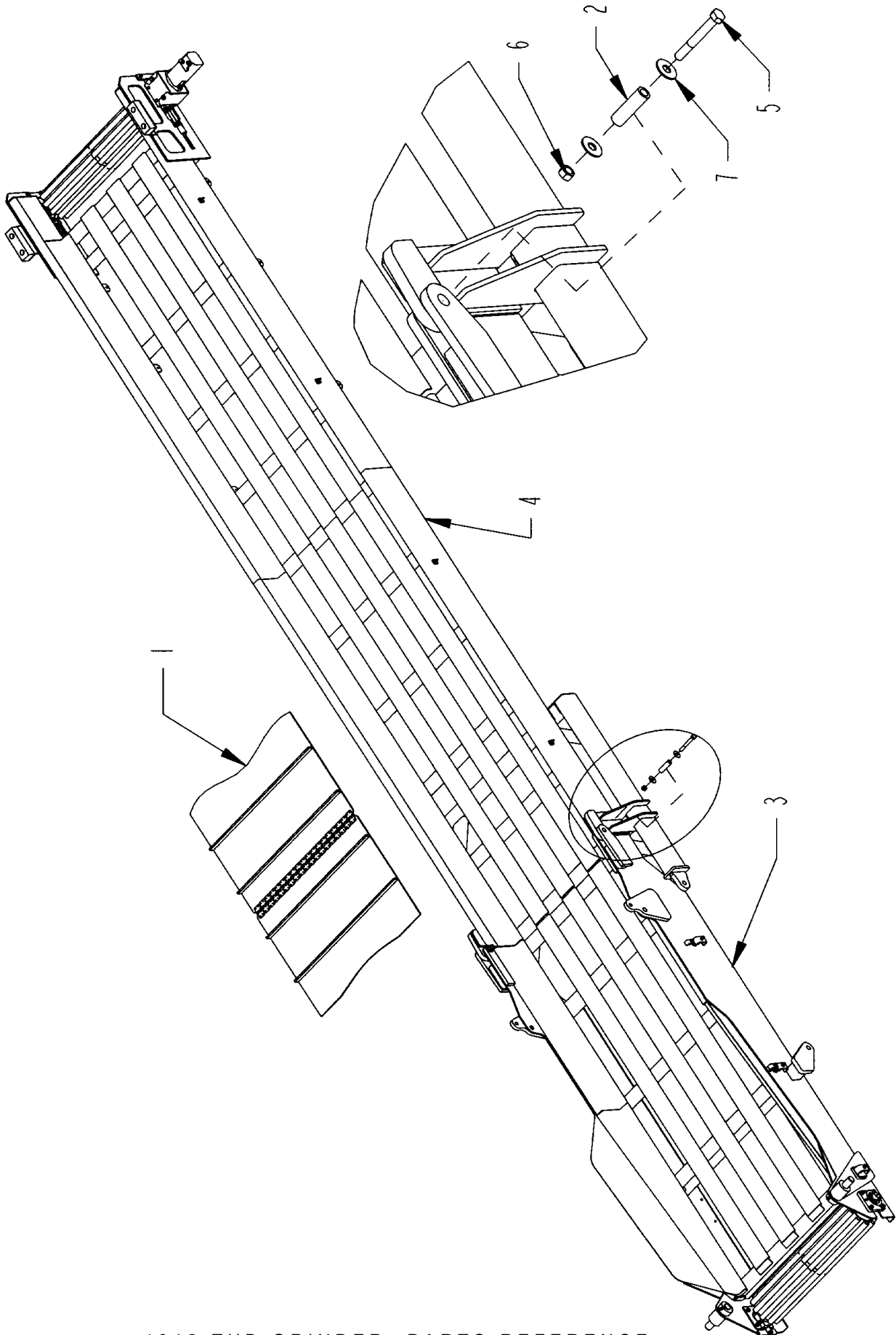
DISCHARGE CONVEYOR - RUBBER BUMPER



DISCHARGE CONVEYOR - RUBBER BUMPER

ITEM	PART	QTY.	PART DESCRIPTION
1	4704099	2	BMPR\CNVYR\DISCH
2	4801198	4	SCR\LAG\3/8X1-1/2

DISCHARGE CONVEYOR - DISCHARGE ASSEMBLY



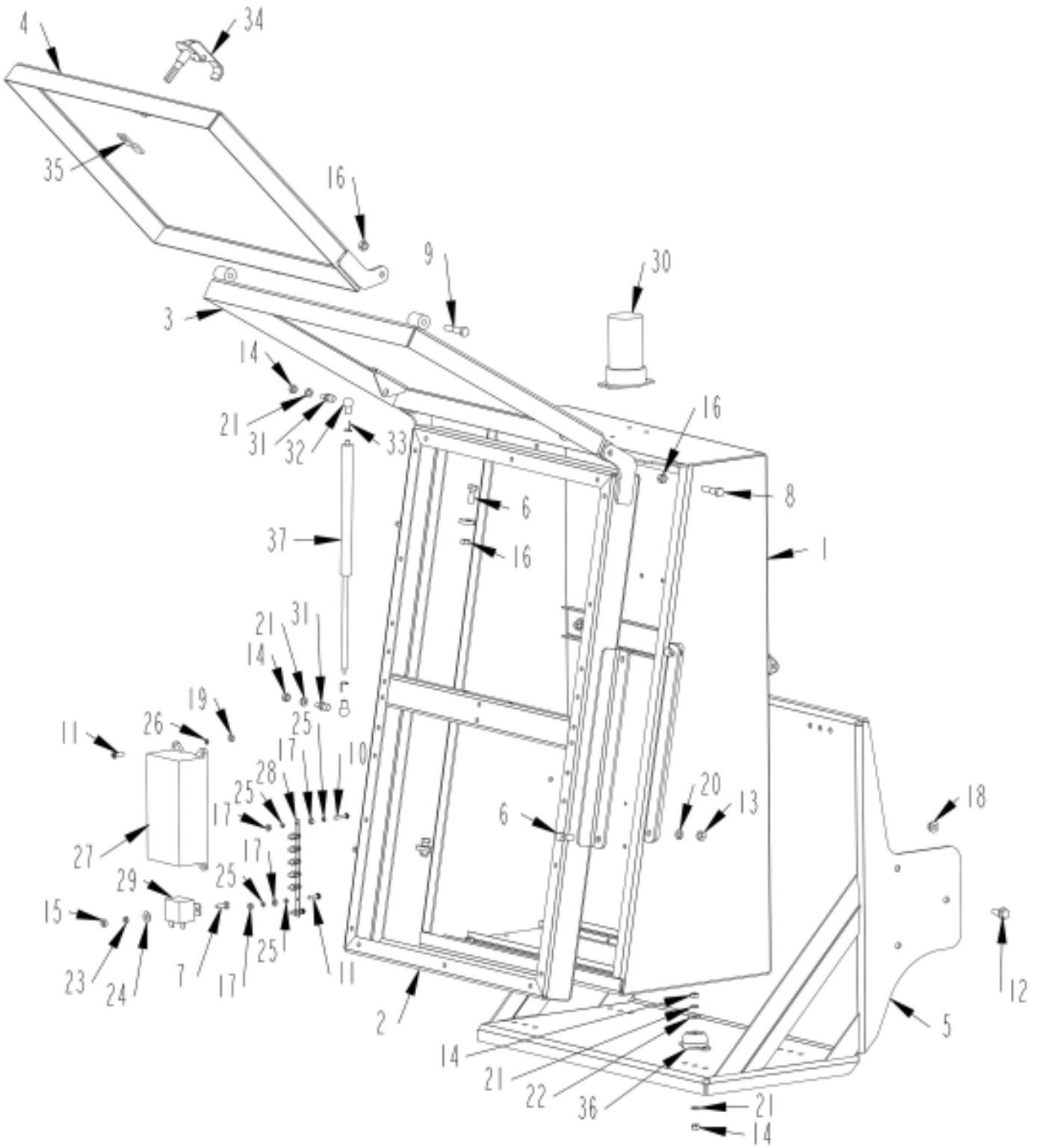
DISCHARGE CONVEYOR - DISCHARGE ASSEMBLY

ITEM	PART	QTY.	PART DESCRIPTION
1	1700165	1	BELT\CNVYR\36X632\2-PLY\220LB
2	4701553	2	BUSH\HINGE\CNVYR\DISCH
3	4703205	1	CNVYR\DISCH\LOWER\ASSY\
4	4703206	1	CNVYR\DISCH\UPPER\ASSY
5	4800158	2	BOLT\HEX\5/8X4-1/2
6	4900012	2	NUT\TPLCK\5/8\NC
7	5000002	4	WASH\FLAT\5/8

LACING INFORMATION

1700176	1	LCNG\R-2\36
1700177	1	LCNG\CBL\R-2\36W/CL
1700132	84	LCNG\RIVET\R-2\PURC
1700129		LCNG\TOOL\R-2\SNGL
1700137		LCNG\TOOL\R-2\41213

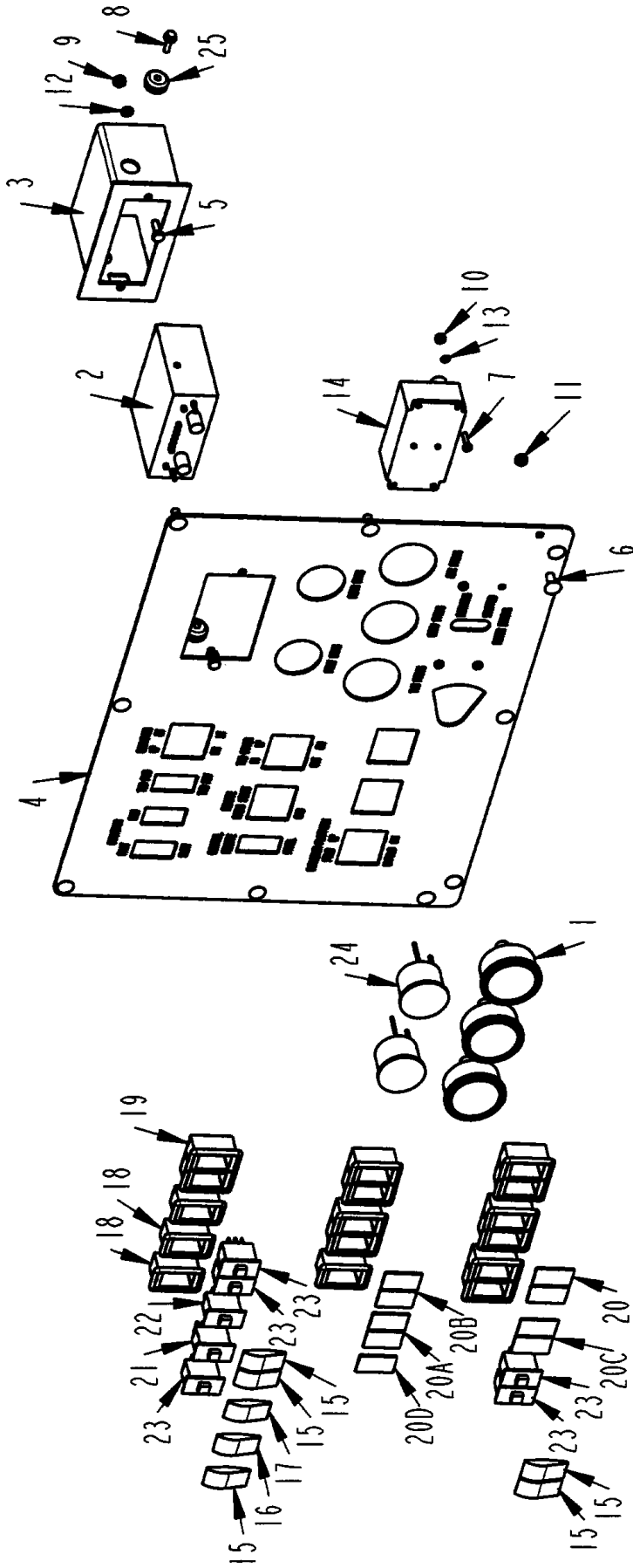
**CONTROL PANEL FRAME ASSEMBLY
(FOR S.N. UP TO 40-2-15-0145)**



**CONTROL PANEL FRAME ASSEMBLY
(FOR S.N. UP TO 40-2-15-0145)**

ITEM	PART	QTY.	PART DESCRIPTION
1	4702884	1	PNL\CNTRL
2	4702885	1	PNL\CNTRL\DOOR\3010
3	4702886	1	PNL\CNTRL\DOOR\TOP
4	4702888	1	PNL\CNTRL\DOOR\BTMM
5	4703336	1	BRKT\PNL\CNTRL
5a	4704912	1	BRKT\PNL\CNTRL
6	4800003	4	BOLT\HEX\3/8X1
7	4800024	2	BOLT\HEX\1/4X3/4
8	4800142	2	BOLT\HEX\3/8X1-3/4
9	4800146	2	BOLT\HEX\3/8X2
10	4800587	2	SCR\RD\SLOT\#10-24X1
11	4800594	10	SCR\PAN\SLOT\#12X3/4\NC
12	4800913	6	BOLT\FLG\SERR\3/8X1\NC
13	4900002	2	NUT\HEX\3/8\NC
14	4900003	14	NUT\HEX\5/16\NC
15	4900009	2	NUT\HEX\1/4\NC
16	4900023	6	NUT\TPLCK\3/8\NC
17	4900072	16	NUT\HEX\#10\NC
18	4900109	6	NUT\FLG\TPLCK\3/8\NC
19	4900159	4	NUT\HEX\#12\NC
20	5000019	2	WASH\LOCK\3/8
21	5000022	14	WASH\LOCK\5/16
22	5000023	6	WASH\FLAT\5/16
23	5000024	2	WASH\LOCK\1/4
24	5000035	2	WASH\FLAT\1/4
25	5000071	16	WASH\LOCK;EXT\STAR\#10
26	5000127	4	WASH\LOCK\EXT\STAR\#12
27	5700289	1	ENCL\BRKR\CRCT\7-POLE
28	5700290	1	TERM\BAR\BUS\8-POLE
29	5700504	1	RELAY\POWR\24\SPSTW/DIO
30	5700594	1	LIGHT\STROBE\BLUE\12-80VDC
30A	5700618	1	REPLACEMENT LENS
30B	5700617	1	REPLACEMENT BULB
30C		1	REPLACEMENT O-RING
31	7500664	4	BALL STUD\SHOCK\FITTING\M6
32	7500665	4	END FITTING\GAS SPRING \m6
33	7500666	4	SAFETY CLIP
34	7500907	1	LATCH\COMP\HD\1.18-2.36
35	7500908	1	LATCH\COMP\HD\OFFSET;CAM
36	7501580	6	CUSH\RBBR\3-1/8X1-3/4X1\5/16UNC
37	7500663	2	SPRNG\GAS\90LB\9416K224

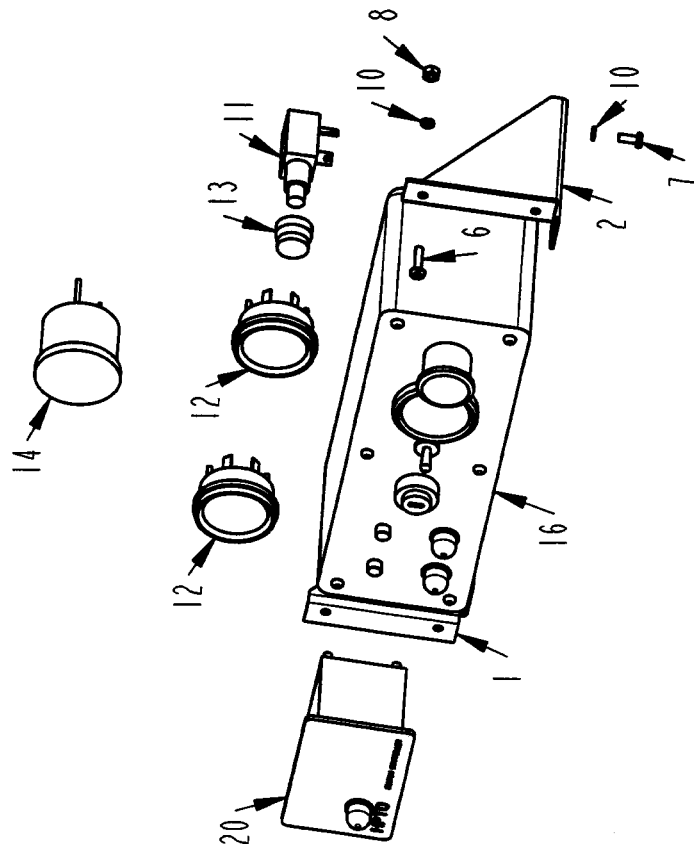
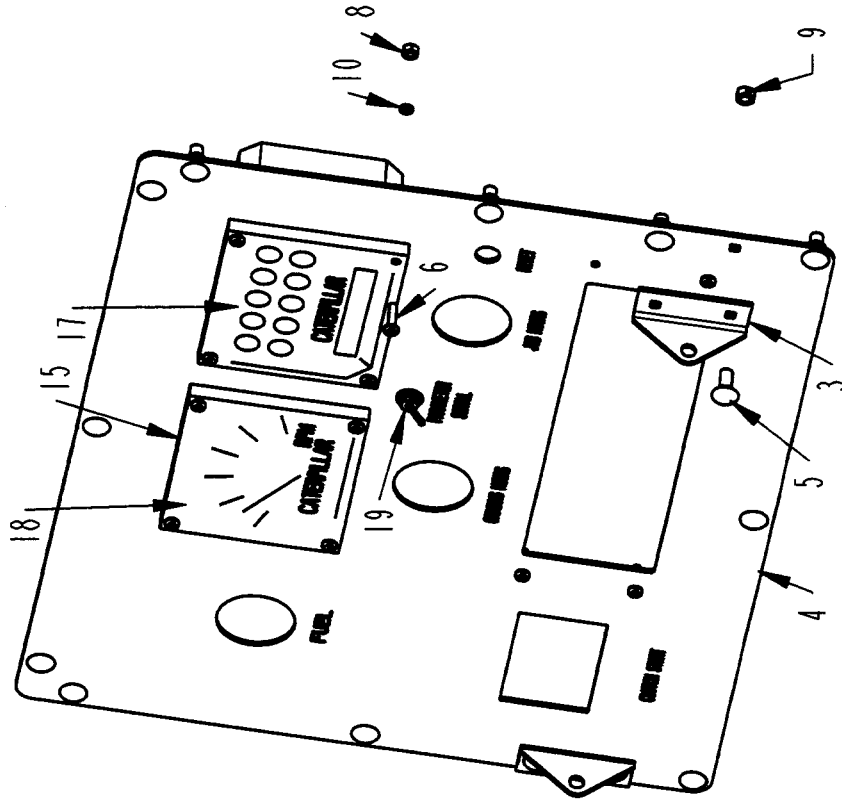
**BOTTOM CONTROL PANEL ASSEMBLY
(FOR S.N. UP TO 40-2-15-0145)**



**BOTTOM CONTROL PANEL ASSEMBLY
(FOR S.N. UP TO 40-2-15-0145)**

ITEM	PART	QTY.	PART DESCRIPTION
1	3800381	3	GAUGE\3000PS\REAR STEM
2	4300034	1	CONTROL BOX
3	4501543	1	BRKT\GOV\1150
4	4703366	1	PNL\CNTRL\4012
5	4800024	2	BOLT\HEX\1/4X3/4
6	4800153	10	BOLT\CRG\5/16X3/4\NC
7	4800282	4	SCR\PNL\SLOT#\10X3/4\NC
8	4800301	2	SCR\FLNG\SERR\1/4X3/4
9	4900009	2	NUT\HEX\1/4\NC
10	4900072	4	NUT\HEX#\10\NC
11	4900084	10	NUT\T\PLCK\1/4\NC
12	5000024	2	WASH\LOCK\1/4
13	5000104	4	WASH\LOCK#\10
14	5700230	1	BOX\CNTRL\SAFETY SHUTDOWN
15	5700324	5	SWITCH\RCK\RACTR\BLK
16	5700325	1	SWITCH\RCK\RACTR\BLK\RED LIGHT
17	5700326	1	SWITCH\RCK\RACTR\BLK\2 RED LIGHTS
18	5700328	4	SWITCH\RCK\RMNT\PNL\S\NGL
19	5700333	12	SWITCH\RCK\RMNT\PNL\W\T\PL
20	5700329	9	SWITCH\RCK\R\PLUG
21	5700430	1	SWITCH\RCK\RD\PST\24V\1LT
21&16	5700544		SWITCH\RCK\RD\PDT\24V\1LIT\15A\LATCH&MOM\W\RAISED BRACKET
22	5700431	1	SWITCH\RCK\RD\PDT\24V\2LT
22&17	5700543		SWITCH\RCK\RD\PDT\24V\2LIT\15A\LATCH\W\RAISED BRACKET
23	5700432	5	SWITCH\RCK\RD\PDT\24V\UNLIT\MOM\15A
23&15	5700542		SWITCH\RCK\RD\PDT\24V\UNLIT\15A\MOMENTARY\W\RAISED BRCKT
24	5700519	2	GAUGE\TEMP\24V\BRG\300\DEG
25	7500124	2	GRMT\R\BBR\1X9\32ID\X3\16T
			RADIO REMOTE OPTION
20A	5700431	1	SWITCH\RCK\RD\PDT\24V\2LT
	5700326	1	SWITCH\RCK\RACTR\BLK\2 RED LIGHTS
	5700545		SWITCH\RCK\RD\PST\24V\2LIT\15A\LATCH\W\RAISED BRACKET
	5700432	1	SWITCH\RCK\RD\PDT\24V\UNLIT\MOM\15A
	5700324	1	SWITCH\RCK\RACTR\BLK
	5700542		SWITCH\RCK\RD\PDT\24V\UNLIT\15A\MOMENTARY\W\RAISED BRCKT
			TUB COVER OPTION
20B	5700432	2	SWITCH\RCK\RD\PDT\24V\UNLIT\MOM\15A
	5700324	2	SWITCH\RCK\RACTR\BLK
	5700542		SWITCH\RCK\RD\PDT\24V\UNLIT\15A\MOMENTARY\W\RAISED BRCKT
			JACK OPTION
20C	5700432	2	SWITCH\RCK\RD\PDT\24V\UNLIT\MOM\15A
	5700324	2	SWITCH\RCK\RACTR\BLK
	5700542		SWITCH\RCK\RD\PDT\24V\UNLIT\15A\MOMENTARY\W\RAISED BRCKT
			LOADER OPTION
20D	5700431	1	SWITCH\RCK\RD\PDT\24V\2LT
	5700326	1	SWITCH\RCK\RACTR\BLK\2 RED LIGHTS

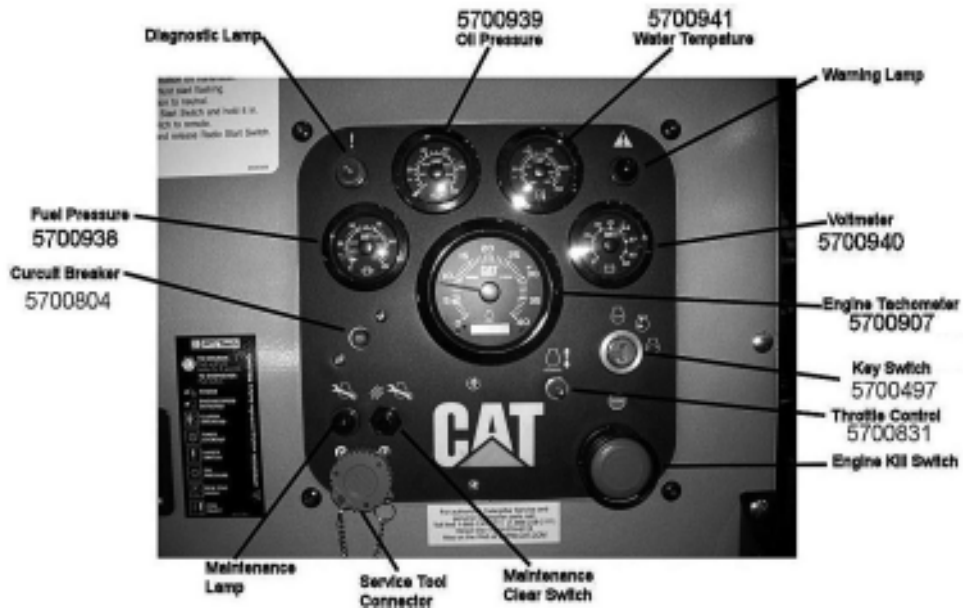
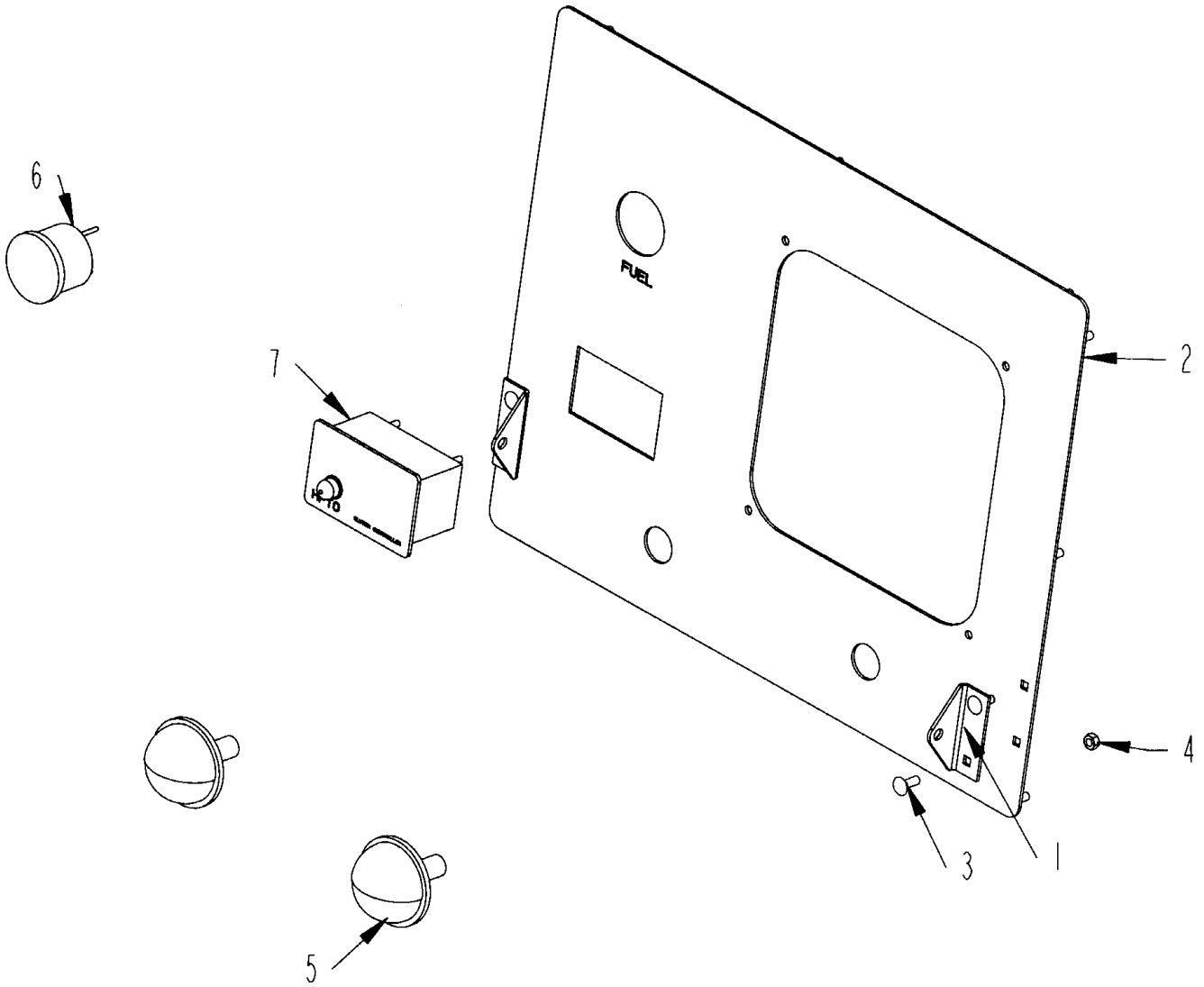
**TOP CONTROL PANEL ASSEMBLY
(FOR S.N. UP TO 40-2-FJ-137)**



**TOP CONTROL PANEL ASSEMBLY
(FOR S.N. UP TO 40-2-FJ-137)**

ITEM	PART	QTY.	PART DESCRIPTION
1	4702868	1	BRKT\PANEL\CNTRL\MNT
2	4702869	1	BRKT\PANEL\CNTRL\MNT
3	4703303	2	BRKT\SPRING\GAS\3010
4	4703343	1	PNL\CNTRL\ENG\CAT-ELEC
5	4800153	14	BOLT\CRG\5/16X3/4\NC
6	4800282	12	SCR\PAN\SLOT\#10X3/4\NC
7	4800574	4	SCR\RD\SLOT\#10-24X1/2
8	4900072	12	NUT\HEX\#10\NC
9	4900084	14	NUT\PLCK\1/4\NC
10	5000104	16	WASH\LOCK\#10
11	5700403	1	SWITCH\BUTTON\PUSH
12	5700506	2	GAUGE\HOUR\RESET
13	5700510	1	BOOT\DUST\PUSBUTTON
14	7500706	1	GAUGE\FUEL\24V
15	5700611	2	BEZEL\GAUGE\CAT\117-66012
16	5700889	1	PANEL\KEY;SWITCH\CAT\TIER 1
17	5700888	1	GAUGE\EMS\CAT
18	5700612	1	GAUGE\TACH\CAT153-8061
19	5700831	1	SWITCH\TOGMOM\CAT;PANEL
20	5700609	1	CONTR\CLUTCH\HPTO

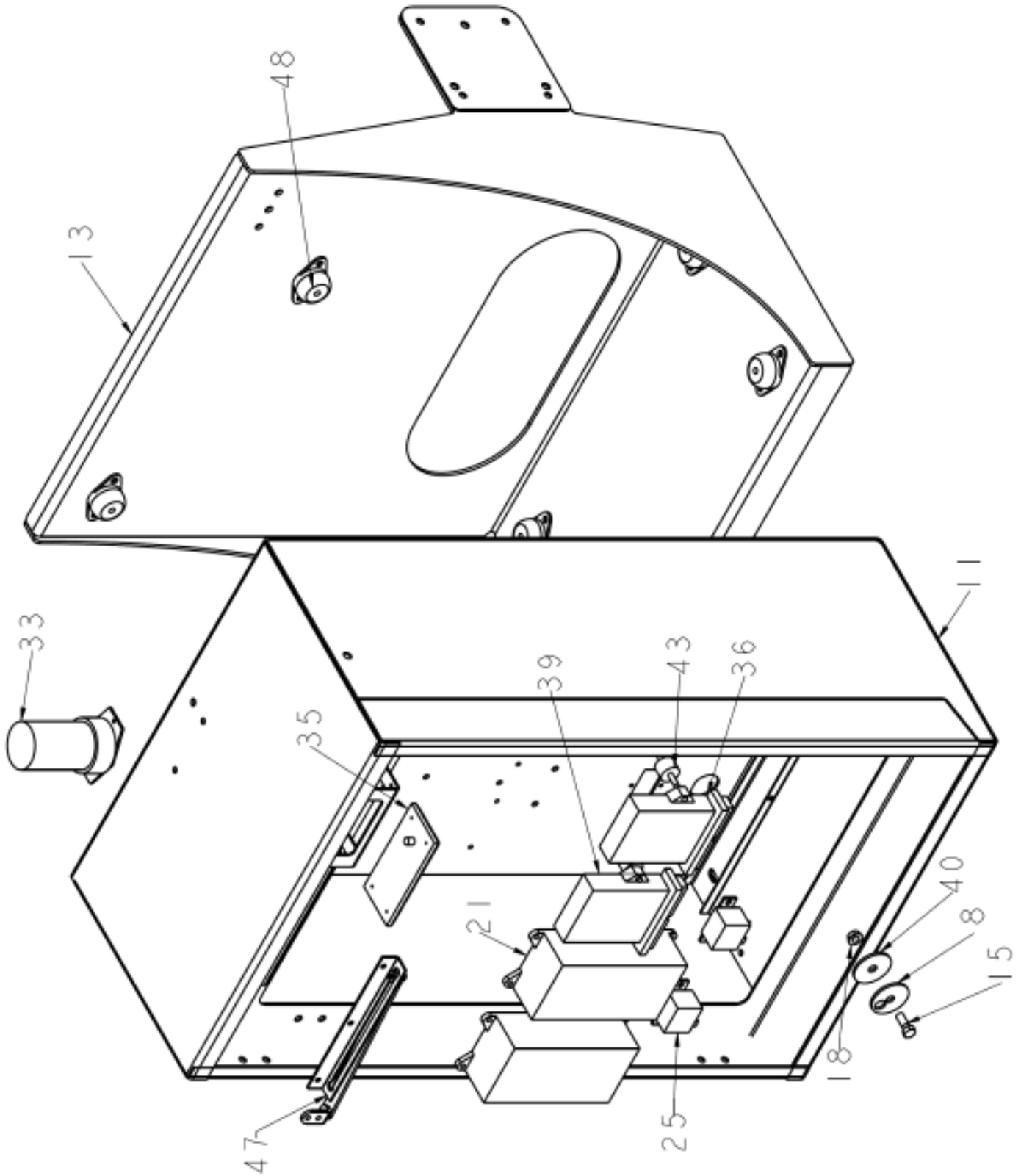
**TIER-3 TOP CONTROL PANEL ASSEMBLY
(FOR S.N. UP TO 40-2-15-0145)**



**TIER-3 TOP CONTROL PANEL ASSEMBLY
(FOR S.N. UP TO 40-2-15-0145)**

ITEM	PART	QTY.	PART DESCRIPTION
1	4501714	2	BRKT\SPRING\GAS
2	4704655	1	PNL\CNTRL\ENG
3	4800291	14	BOLT\CRG\1/4X3/4\NC
4	4900084	1	NUT\TPLCK\1/4\NC
5	5700530	2	LAMP\PNL\CNTRL\12V
6	7500706	1	GAUGE\FUEL\ELEC\24V
	7500668		GAUGE\FUEL\ELEC\12V
	7500670		GAUGE\VOLTAGE\ADPT\24-12V
7	5700609	1	CNTRLLR\CLUTCH\HPTO14

CONTROL PANEL ASSEMBLY (FOR S.N. 40-2-16-0146 AND UP)



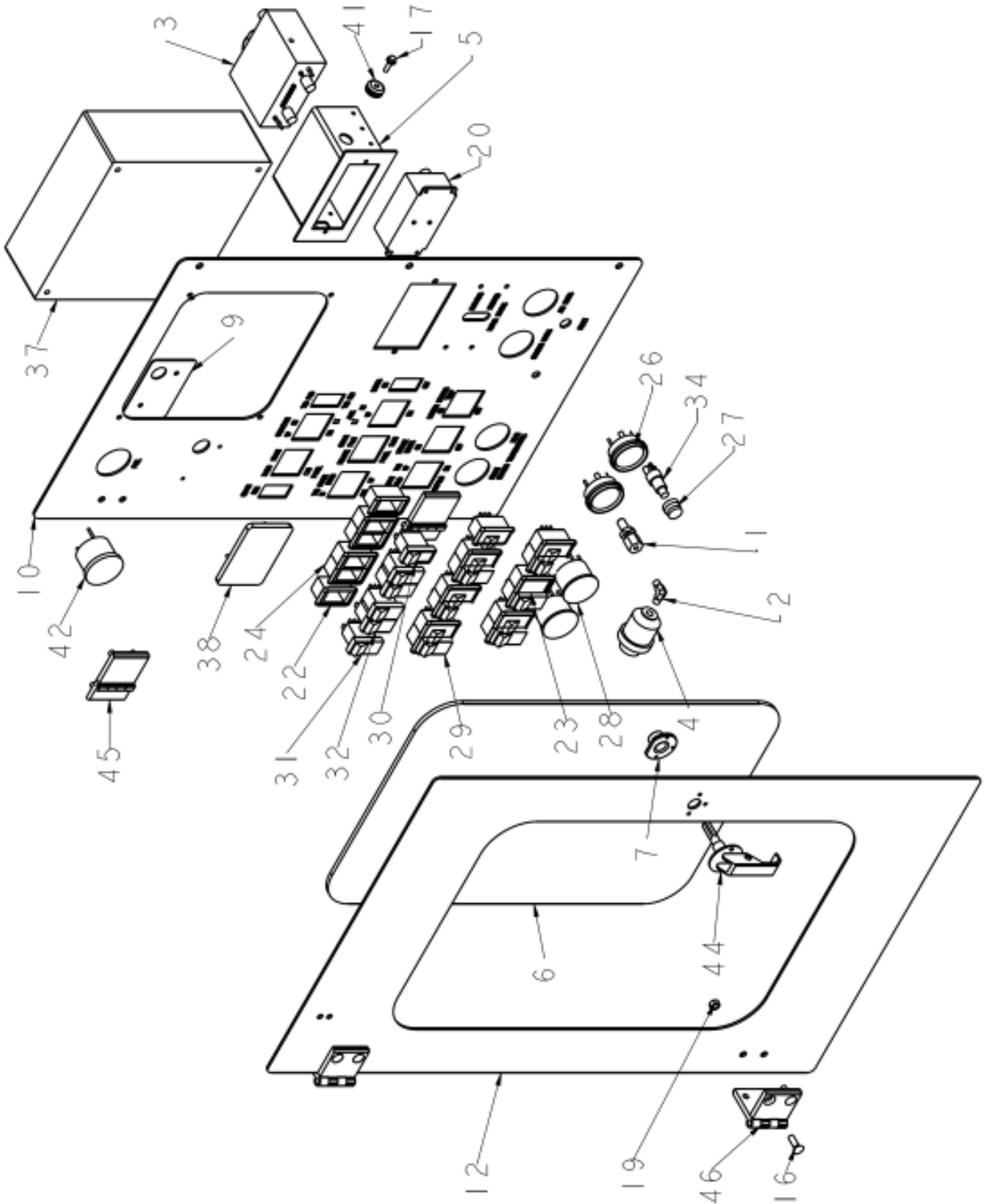
CONTROL PANEL ASSEMBLY (FOR S.N. 40-2-16-0146 AND UP)

ITEM	PART	QTY.	PART DESCRIPTION
1	3800861	1	FTG\78MJICX1\2FP\BULKHEAD
2	3800986	1	FTG\18MPI\90D\ELL
3	4300034	1	CONTROL BOX
4	4400153	1	INDICATOR\FLTR\AIR\30 IN H2O
5	4501543	1	BRKT\GOV\1150
6	4502760	1	WNDW\PANEL\CNTRL
7	4704046	1	FLANGE\REINFORCE\LATCH
8	4704449	1	PNL\CNTRL\PLUG
9	4704949	1	PL\BCKNG\CNTRLLR\CLTCH
10	4705035	1	PNL\CNTRL\MACHINE\3010
11	4705036	1	FRM\PANEL\CNTRL\4012
12	4705037	1	DOOR\PANEL\CNTRL
13	4705039	1	BRKT\PNL\CNTRL
14	4705042	1	ASSM\PANEL\CONTROL\4012
15	4800003	1	BOLT\HEX\3\8X1
16	4800166	8	SCR\CSK\ALN\5\16X1\NC
17	4800301	1	SCR\FLNG\SERR\1\4X3\4
18	4900076	4	NUT\FLG\SERR\3\8\NC
19	4900142	8	NUT\PLCK\5\16\NC
20	5700230	1	BOX\CNTRL\SAFETY SHUTDOWN
21	5700289	2	ENCL\BRKR\CRCT\7-POLE
22	5700328	3	SWITCH\RCKR\MNT\PNL\SNGL
23	5700329	1	SWITCH\RCKR\PLUG
24	5700333	16	SWITCH\RCKR\MNT\PNL\MTPL
25	5700504	2	RELAY\POWR\24V\SPST\W/DIO
26	5700506	2	GAUGE\HOUR\RESET
27	5700510	1	BOOT\DUST\PUSHBUTTON
28	5700519	2	GAUGE\TEMP\24V\BRG\300DEG
29	5700542	11	SWITCH\RCKR\DPDT\24V\UNLIT\15A\MOMNTRY\W/RASED BRCKT
30	5700543	1	SWITCH\RCKR\DPDT\24V\2LIT\15A\LATCH\W/RASED BRACKET
31	5700544	1	SWITCH\RCKR\DPDT\24V\1LIT\15A\LTCH&MOMW/RASED BRCKT
32	5700545	5	SWITCH\RCKR\DPST\24V\2LIT\15A\LATCH\W/RASED BRACKET
33	5700594	1	LIGHT\STROBE\BLUE\12-80VDC
34	5700652	1	SWITCH\BUTTON\PUSH
35	5700747	1	LIGHT\WHT\10-30V\LED
36	5700748	1	RADIO\REMOTE\OMNEX\T110R160\2.4GHz
37	5700903	1	PANEL\KEY\SWITCH\CAT\TIER 3
38	5700916	1	UNIT\DISPLAY\ADV3
39	5700917	1	UNIT\MSTR\ADV3\HPTO14&15FX
40	7101029	1	PNL\CNTRL\PLUG
41	7500124	1	GRMT\RBBR\1X9\32ID\X3\16T
42	7500706	1	GAUGE\FUEL\24V
43	7500755	4	CUSH\RBBR\1-OD\1\4-20X3\4
44	7500907	1	LATCH\COMP\HD\1.18-2.36
45	7500918	2	HINGE\BOLT-ON\BLACK
46	7501392	2	HINGE\BOLT-ON\270DEG\4-BLT\BLK
47	7501393	1	STOP\WIND\DR\PNL
48	7501580	6	CUSH\RBBR\3-1\8X1-3\4X1\5\16UNC

SWITCH USE

5700542	HYDRAULIC CYLINDERS RADIO START CONVEYOR SPEED BEARING TEMP
5700543	TUB FWD/REV,
5700544	CONVEYOR FWD/REV,
5700545	LIGHTS RADIO LOCAL/REMOTE

CONTROL PANEL ASSEMBLY (FOR S.N. 40-2-16-0146 AND UP)



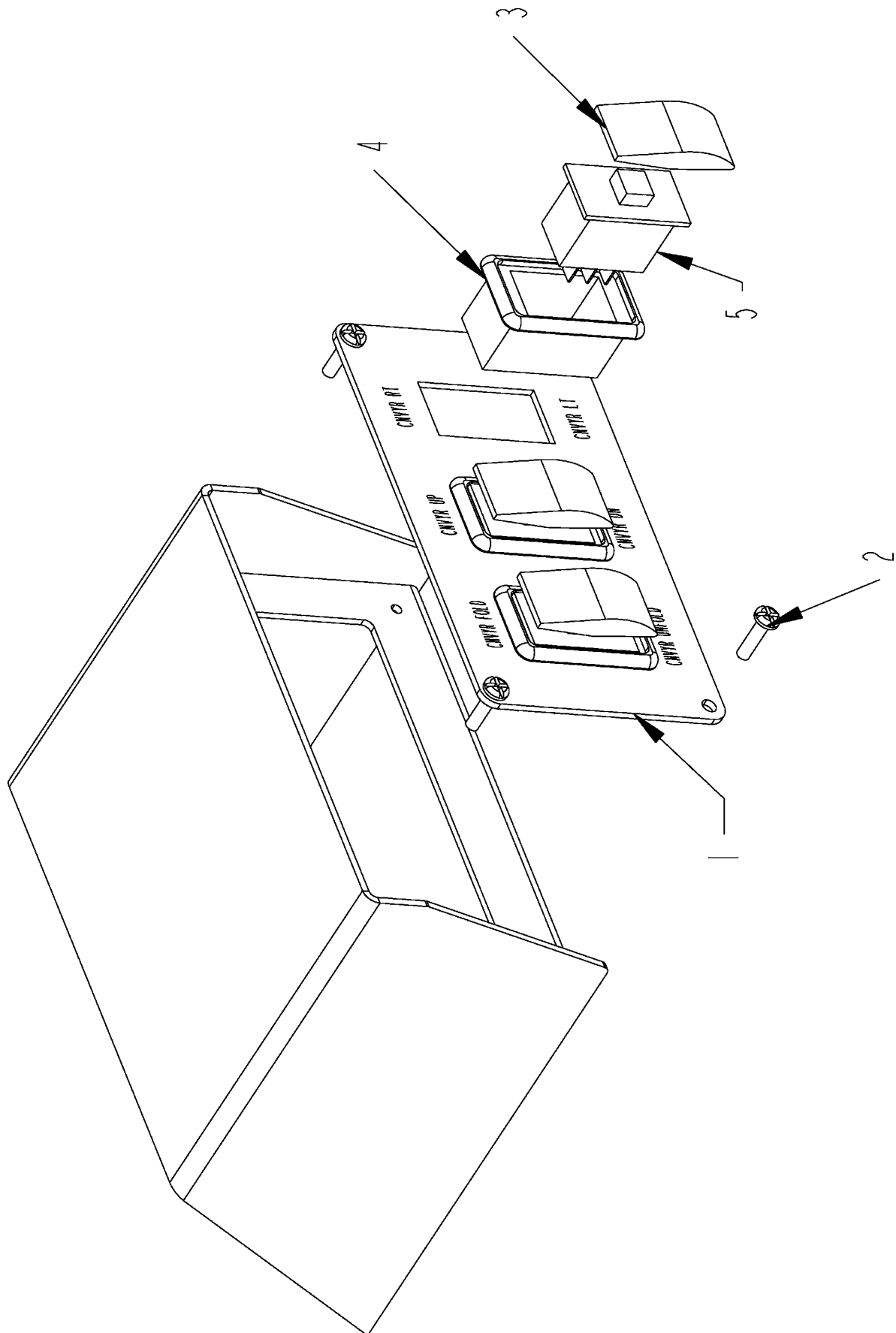
CONTROL PANEL ASSEMBLY(FOR S.N. 40-2-16-0146 AND UP)

ITEM	PART	QTY.	PART DESCRIPTION
1	3800861	1	FTG\78MJICX1\2FP\BULKHEAD
2	3800986	1	FTG\18MP\90D\ELL
3	4300034	1	CONTROL BOX
4	4400153	1	INDICATOR\FLTR\AIR\30 IN H2O
5	4501543	1	BRKT\GOV\1150
6	4502760	1	WNDW\PANEL\CNTRL
7	4704046	1	FLANGE\REINFORCE\LATCH
8	4704449	1	PNL\CNTRL\PLUG
9	4704949	1	PL\BCKNG\CNTRLLR\CLTCH
10	4705035	1	PNL\CNTRL\MACHINE\3010
11	4705036	1	FRM\PANEL\CNTRL\4012
12	4705037	1	DOOR\PANEL\CNTRL
13	4705039	1	BRKT\PNL\CNTRL
14	4705042	1	ASSM\PANEL\CONTROL\4012
15	4800003	1	BOLT\HEX\3\8X1
16	4800166	8	SCR\CSK\ALN\5\16X1\NC
17	4800301	1	SCR\FLNG\SERR\1\4X3\4
18	4900076	4	NUT\FLG\SERR\3\8\NC
19	4900142	8	NUT\PLCK\5\16\NC
20	5700230	1	BOX\CNTRL\SAFETY SHUTDOWN
21	5700289	2	ENCL\BRKR\CRCT\7-POLE
22	5700328	3	SWITCH\RCKR\MNT\PNL\SNGL
23	5700329	1	SWITCH\RCKR\PLUG
24	5700333	16	SWITCH\RCKR\MNT\PNL\MTPL
25	5700504	2	RELAY\POWR\24V\SPST\W/DIO
26	5700506	2	GAUGE\HOUR\RESET
27	5700510	1	BOOT\DUST\PUSBUTTON
28	5700519	2	GAUGE\TEMP\24V\BRG\300DEG
29	5700542	11	SWITCH\RCKR\DPDT\24V\UNLIT\15A\MOMNTRY\W/RASED BRCKT
30	5700543	1	SWITCH\RCKR\DPDT\24V\2LIT\15A\LATCH\W/RAISED BRACKET
31	5700544	1	SWITCH\RCKR\DPDT\24V\1LIT\15A\LTCH&MOMW/RASED BRCKT
32	5700545	5	SWITCH\RCKR\DPST\24V\2LIT\15A\LATCH\W/RAISED BRACKET
33	5700594	1	LIGHT\STROBE\BLUE\12-80VDC
34	5700652	1	SWITCH\BUTTON\PUSH
35	5700747	1	LIGHT\WHT\10-30V\LED
36	5700748	1	RADIO\REMOTE\OMNEX\T110R160\2.4GHz
37	5700903	1	PANEL\KEY\SWITCH\CAT\TIER 3
38	5700916	1	UNIT\DISPLAY\ADV3
39	5700917	1	UNIT\MSTR\ADV3\HPTO14&15FX
40	7101029	1	PNL\CNTRL\PLUG
41	7500124	1	GRMT\RBBR\1X9\32ID\X3\16T
42	7500706	1	GAUGE\FUEL\24V
43	7500755	4	CUSH\RBBR\1-OD\1\4-20X3\4
44	7500907	1	LATCH\COMP\HD\1.18-2.36
45	7500918	2	HINGE\BOLT-ON\BLACK
46	7501392	2	HINGE\BOLT-ON\270DEG\4-BLT\BLK
47	7501393	1	STOP\WIND\DR\PNL
48	7501580	6	CUSH\RBBR\3-1\8X1-3\4X1\5\16UNC

SWITCH USE

5700542	HYDRAULIC CYLINDERS RADIO START CONVEYOR SPEED BEARING TEMP
5700543	TUB FWD/REV,
5700544	CONVEYOR FWD/REV,
5700545	LIGHTS RADIO LOCAL/REMOTE

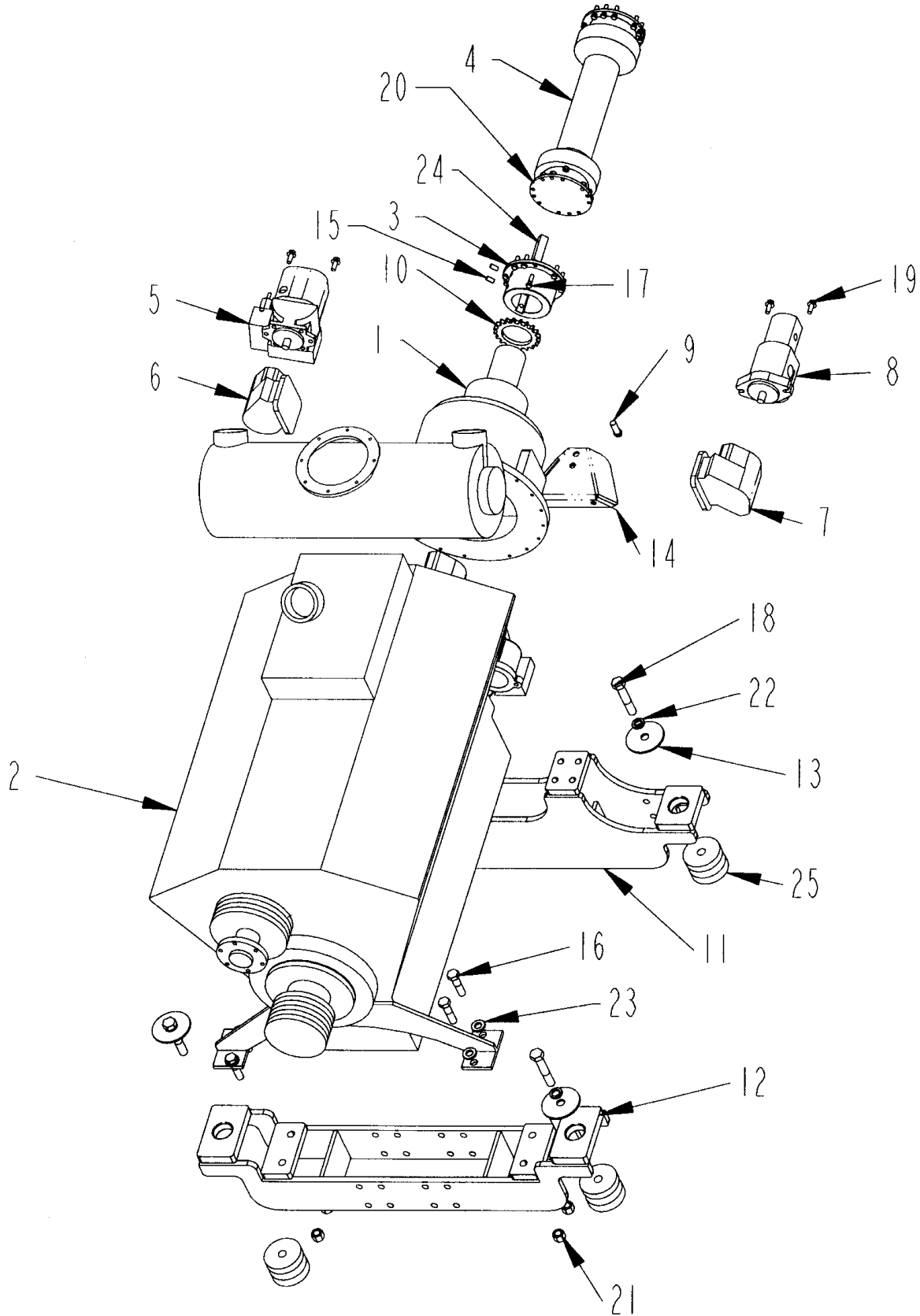
REAR AUXILIARY CONTROL PANEL



REAR AUXILIARY CONTROL PANEL

ITEM	PART	QTY.	PART DESCRIPTION
1	4501734	1	SHEET\PANEL\CONTROL\AUX\REAR
2	4800498	4	SCR\PAN\PHL\#10X3/4\NF
3	5700324	3	SWITCH\RCKR\ACTR\BLK
4	5700328	3	SWITCH\RCKR\MNT\PNL\SNGL
5	5700432	3	SWITCH\RCKR\DPDT\24VUNLIT\MOM\15A

ENGINE COMPARTMENT ASSEMBLY - CLUTCH, PUMPS & MOTOR MOUNTS - 650 HP ENGINE



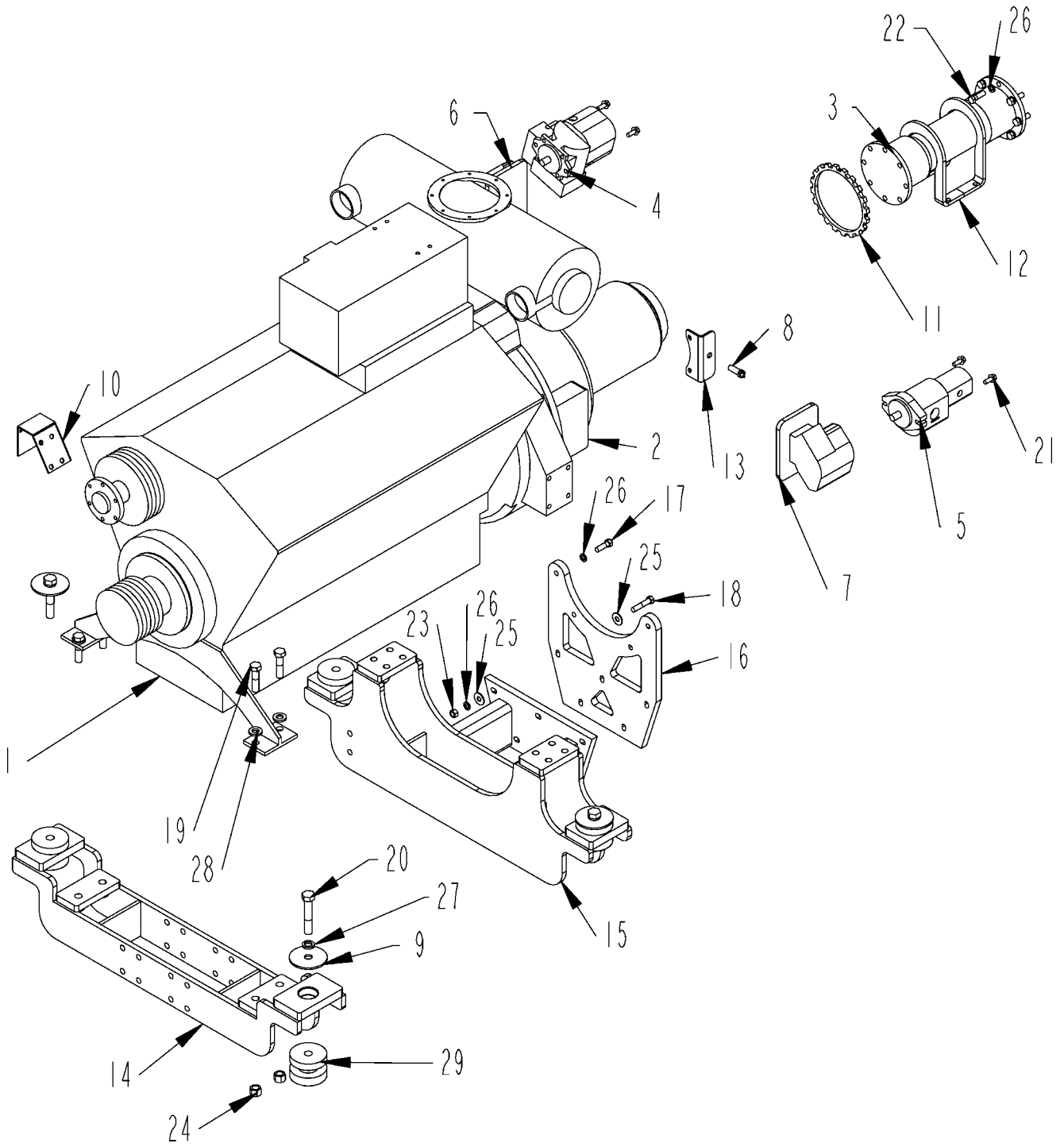
ENGINE COMPARTMENT ASSEMBLY - CLUTCH, PUMPS & MOTOR MOUNTS - 650 HP ENGINE

ITEM	PART	QTY.	PART DESCRIPTION
1	0900121	1	CLUTCH\HPTO\14\DD
2	0900123	1	ENG\CAT\650HP\TIERII
3	3600333	1	FLG\3-15/16IDX4L\1810\DRLIN\HUB
4	3600449	1	DRLIN\IND\1810\28"
5	4200073	1	PUMP\HYD\75ML\LOAD;SENSE
6	4200080	1	PUMP\DRIVE\RH\B
7	4200081	1	PUMP\DRIVE\LH\B
8	4200082	1	PUMP\HYD\3.15X.67\SAE-B
9	4300009	1	SENSOR\MAG\W\HARDWARE
10	4703093	1	SPKT\SENSOR\20T\3-15/16 BORE
11	4703170	1	MNT\ENGINE\REAR
12	4703171	1	BRKT\ENG\FRONT\3412E
13	4703178	4	WASH\SNUB\MNT\ENG
14	4703834	1	BRKT\SNSR\HPTO14\GUSSTED
15	4800323	4	SCR\SET\AL1/2X1\NC
16	4800494	4	BOLT\HEX\7/8X3-1/2\GR8\NC
17	4800519	24	BOLT\HEX\7/16X1-1/2\GR8\NF
18	4800633	4	BOLT\HEX\1X5-1/2\NC\GR5\PLT
19	4800928	4	BOLT\FLG\SERR\1/2X1-1/4\NC
20	4900093	12	NUT\HEX\7/16\GR8\NC
21	4900136	4	NUT\NYLCK\7/8\NC
22	5000053	4	WASH\LOCK\1
23	5000120	4	WASH\FLAT\7/8\EXTRTHK\GR8
24	6200049	1	KEY\SQ\1X4
25	7501061	4	CUSH\RBBR\4-7/8ODX3-3/8\>

REPLACEMENT PARTS FOR 0900121

0900135	CLUTCH\HPTO\14\TAILSTOCK
---------	--------------------------

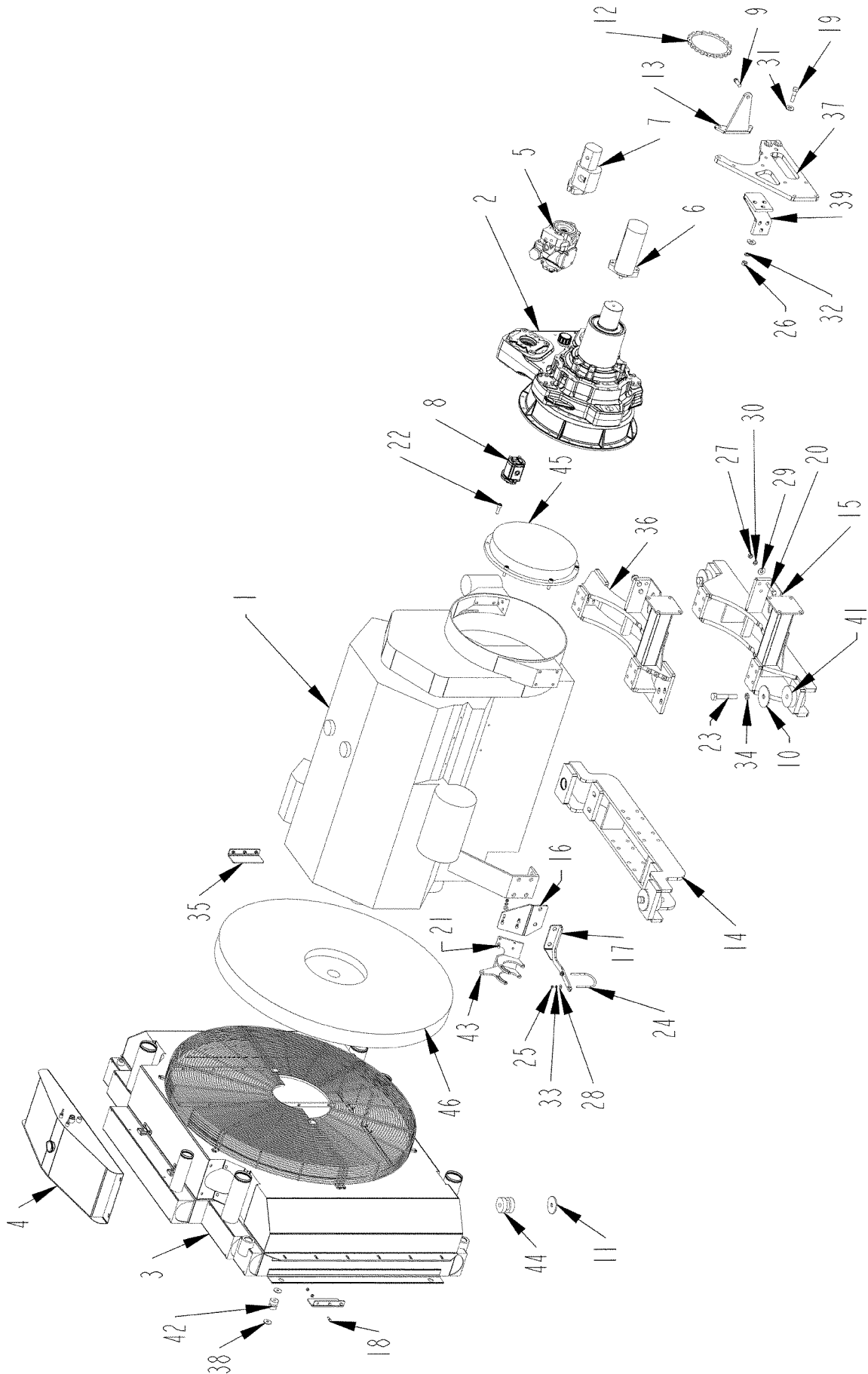
ENGINE COMPARTMENT ASSEMBLY - CLUTCH, PUMPS & MOTOR MOUNTS - 860 HP ENGINE



ENGINE COMPARTMENT ASSEMBLY - CLUTCH, PUMPS & MOTOR MOUNTS - 860 HP ENGINE

ITEM	PART	QTY.	PART DESCRIPTION
1	0900136	1	ENG\CAT\860HP\TIERI
2	0900137	1	CLUTCH\HPTO\20\DD
3	3600495	1	DRLIN\IND\DIN225\28"
4	4200073	1	PUMP\HYD\75ML\LOAD;SENSE
5	4200082	1	PUMP\HYD\3.15X.67\SAE-B
6	4200102	1	PUMP\DRIVE\RH\B8-BOLT
7	4200103	1	PUMP\DRIVE\LH\B8-BOLT
8	4300009	1	SENSOR\MAG\W\HARDWARE
9	4703178	4	WASH\SNUB\MNT\ENG
10	4703392	1	BRKT\FLTR\FUEL\PRI\860
11	4703393	1	SPKT\SENSOR\20\3-15/16 BORE
12	4703400	1	LOOP\SAFETY\DRIVELINE\8"
13	4704404	1	BRKT\SENSOR\SPEED\HPTO20DD
14	4704496	1	BRKT\ENG\FRONT\3412E
15	4704710	1	MNT\ENGINE\REAR\W\CLUTCH SUP
16	4704711	1	BRKT\SUP\CLUTCH
17	4800010	4	BOLT\HEX\5/8X2
18	4800021	5	BOLT\HEX\5/8X3
19	4800494	4	BOLT\HEX\7/8X3-1/2\GR8\NC
20	4800633	4	BOLT\HEX\1X5-1/2\NC\GR5\PLT
21	4800928	4	BOLT\FLG\SERR\1/2X1-1/4\NC
22	4800959	8	BOLT\HEX\5/8X2\NF\GR8
23	4900005	5	NUT\HEX\5/8\NC
24	4900136	4	NUT\NYLCK\7/8\NC
25	5000002	10	WASH\FLAT\5/8
26	5000003	17	WASH\LOCK\5/8
27	5000053	4	WASH\LOCK\1
28	5000120	4	WASH\FLAT\7/8\EXTRTHK\GR8
29	7501061	4	CUSH\RBBR\4-7/8ODX3-3/8\>

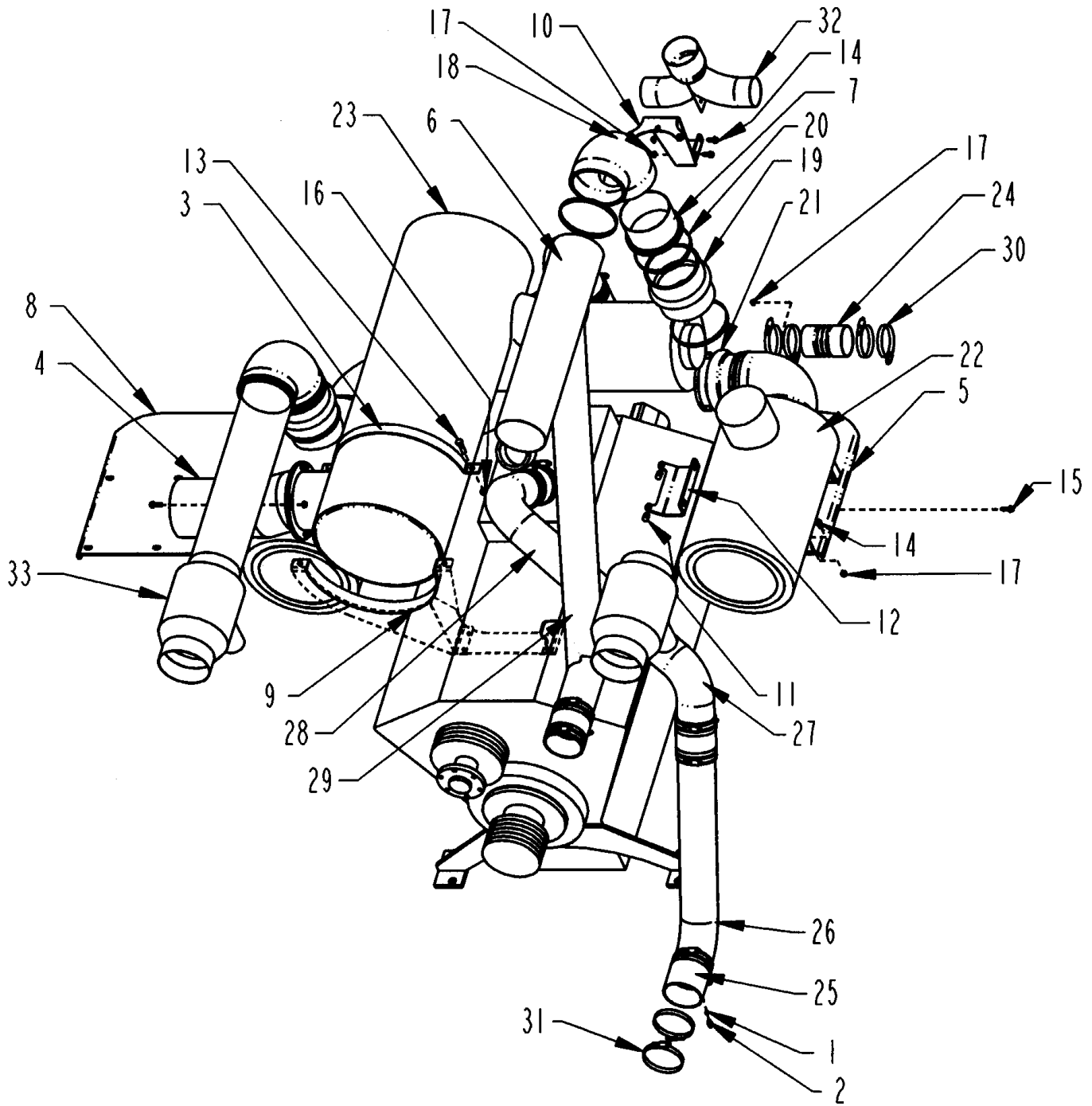
**ENGINE COMPARTMENT ASSEMBLY - CLUTCH, PUMPS
RADIATOR & MOTOR MOUNTS - 950 HP ENGINE**



**ENGINE COMPARTMENT ASSEMBLY - CLUTCH, PUMPS
RADIATOR & MOTOR MOUNTS - 950 HP ENGINE**

ITEM	PART	QTY.	PART DESCRIPTION
1	0900153	1	ENG\CAT\C-27\950HP\TIER2\HRZNTLGRNDR
2	0900155	1	CLUTCH\FLEX\HPTO15TFO
3	0900178	1	RAD\ENG\AKG\950HP\CAT
4	0900179	1	TANK\SURGE\RAD\AKG\950HP
5	4200125	1	PUMP\HYD\4.00CID\LOADS\NSE
6	4200127	1	PUMP\HYD\35\25\RH\PLP-
7	4200128	1	PUMP\HYD\3.15X1.27\RH\B
8	4200129	1	PUMP\HYD\1.58\RH\
9	4300088	1	SENSOR\MAG\W\HARDWARE
10	4703178	3	WASH\SNUB\MNT\ENG
11	4703181	2	WASH\SNUB\MNT
12	4703393	1	SPKT\SENSOR\20T\3-15\16 BORE
13	4704249	1	BRKT\SNSR
14	4704908	1	BRKT\ENG\FRONT\C27
15	4704909	1	BRKT\ENG\REAR\C27
16	4704925	1	PL\BRKT\COMP\AC
17	4704929	1	BRKT\TUBE\CHRG\AIR
18	4800003	6	BOLT\HEX\3\8X1
19	4800017	3	BOLT\HEX\3\4X3
20	4800021	3	BOLT\HEX\5\8X3
21	4800034	4	BOLT\HEX\3\8X1-1/2
22	4800450	6	SCR\CAP\ALN\5\8X2\NC
23	4800633	3	BOLT\HEX\1X5-1/2\NC\GR5\PLT
24	4801222	1	BOLT\U\3\8X4X5-1/2
25	4900002	12	NUT\HEX\3\8\NC
26	4900004	3	NUT\HEX\3\4\NC
27	4900005	3	NUT\HEX\5\8\NC
28	5000001	6	WASH\FLAT\3\8
29	5000002	3	WASH\FLAT\5\8
30	5000003	3	WASH\LOCK\5\8
31	5000005	6	WASH\FLAT\3\4
32	5000012	3	WASH\LOCK\3\4
33	5000019	12	WASH\LOCK\3\8
34	5000053	3	WASH\LOCK\1
35	7100349	2	PL\SHRD\RAD\RTNR
36	7100911	1	MNT\ENG\REAR\C27\32\HORIZ
37	7100958	1	BRCKT\SPRRT\CLUTCH\HPTO20TD
38	7100977	4	WASH\SNUB\1-7\8X17\32
39	7100985	1	ARM\SPRRT\CLTCH
40	7100989	1	SPRRT\EX\HAIR
41	7501061	3	CUSH\RBBR\4-7\8ODX3-3\8\>
42	7501183	2	CUSH\RBBR\1.87"ODX1.31"IDX390LB
43	7501198	1	BRKT\COMP\AC\ZEXEL
44	7501281	2	CUSH\RBBR\3-1\2ODX2-7\8\>
45	7501286	1	CPLNG\FLEX\AC8.WN.F2K.18.86
46	7501408	1	FAN\RAD\56\8BLADE\C27T2
NOT SHOWN			
	1600040	4	V-BELT\B\65
	3600499	1	FLG\4-7\16X4L\DIN225\1SQKEY
	3600668	1	FLG\4-1\2X4L\DIN225\1KEY
	3600669	1	DRLIN\IND\DIN225\41-3\4L
	4703172	1	LOOP\SAFETY\DRIVELINE\12"

ENGINE COMPARTMENT ASSEMBLY - AIR FILTER & MUFFLER - 650 HP ENGINE



ENGINE COMPARTMENT ASSEMBLY - AIR FILTER & MUFFLER - 650 HP ENGINE

ITEM	PART	QTY.	PART DESCRIPTION
1	3800716	1	FTG\7\16MOR\ORFICE\0.030
2	4000227	1	VALVE\CHECK\7\16MORX7\16MJIC
3	4702289	1	STRAP\MFFLR\3412\650HP
4	4703141	1	PIPE\EXHUA
5	4703144	1	BRKT\AIRCLEANER
6	4703146	2	TUBE\INTAKE\AIR
7	4703147	4	TUBE\INTAKE\AIR
8	4703148	1	BRKT\AIRCLEANER
9	4703149	1	BRKT\MUFFLER
10	4703186	1	BRKT\CAC\3412
11	4703197	4	AIRFLTR\BRCKT\SPCR
12	4703199	2	BRACE\AIRCLEANER
13	4800114	10	BOLT\HEX\1\2X2
14	4800913	10	BOLT\FLG\SERR\3\8X1\NC
15	4800914	16	BOLT\FLG\SERR\3\8X1-1\4\NC
16	4900014	10	NUT\TPLCK\1\2\NC
17	4900109	26	NUT\FLG\TPLCK\3\8\NC
18	7500514	4	FTG\RBBR\7\90DEG\ELL
19	7500643	2	FTG\RBBR\7\CPLG
20	7500644	16	CLMP\HOSE\7
21	7500910	2	FTG\RBBR\7x6\CPLG
22	7500920	2	AIRCLEANER\FVG
23	7500954	1	MFFLR\CAT\3412\OFFSET
24	7500955	2	FTG\SI\4\CONN
25	7500956	6	FTG\SI\5\CONN
26	7500957	1	TUBE\RD\5\45DEG\CAC
27	7500958	1	TUBE\RD\5\45DEG\#2\CAC
28	7500959	1	TUBE\RD\5\UPPR\CAC
29	7500960	1	TUBE\RD\5\UPPR\CAC\TURBO
30	7500962	8	CLAMP\HOSE\4\CTORQ
31	7500963	24	CLAMP\HOSE\5\CTORQ
32	7500965	1	TUBE\Y\4X4X5\WELDED
33	7501066	2	SPRTR\INLINE\H001906

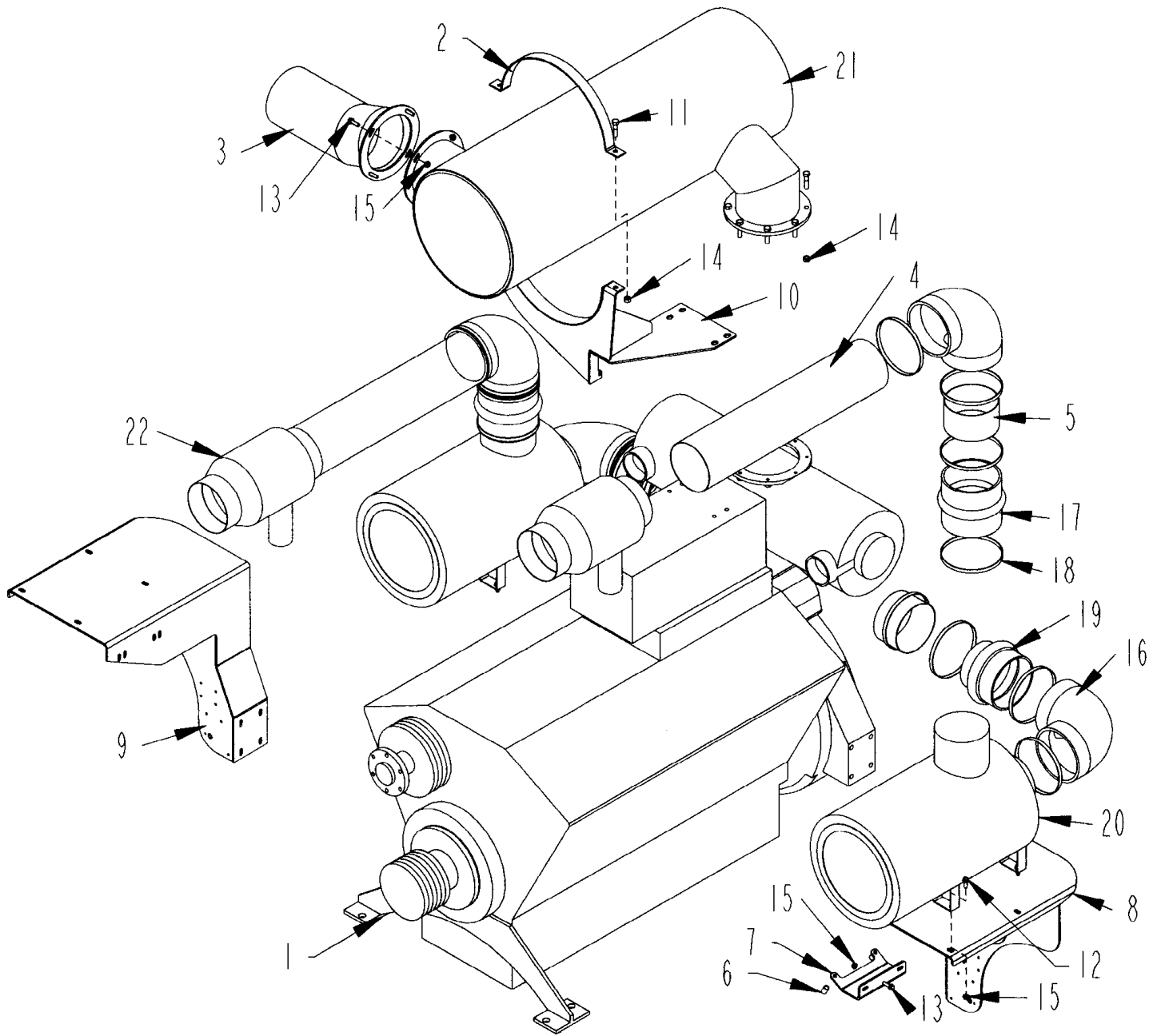
REPLACEMENT FILTER ELEMENT FOR 7500920

4400084	FLTR\ELMT\AIR\PRIMARY
4400085	FLTR\ELMT\AIR\SAFETY

REPLACEMENT FILTERS

4400029	ENGINE OIL FILTER
4400082	ENGINE PRIMARY FUEL/ WATER SEPERATOR FILTER
4400030	FUEL FILTER

ENGINE COMPARTMENT ASSEMBLY - AIR FILTER & MUFFLER - 860 HP ENGINE



ENGINE COMPARTMENT ASSEMBLY - AIR FILTER & MUFFLER - 860 HP ENGINE

ITEM	PART	QTY.	PART DESCRIPTION
1	0900136	1	ENG\CAT\860HP\TIERI
2	4702289	1	STRAP\MFFLR\3412\650HP
3	4703141	1	PIPE\EXHAUST
4	4703146	2	TUBE\INTAKE\AIR
5	4703147	4	TUBE\INTAKE\AIR
6	4703197	4	AIRFLTR\BRCKT\SPCR
7	4703199	2	BRACE\AIRCLEANER
8	4704482	1	BRKT\AIRCLEANER
9	4704483	1	BRKT\AIRCLEANER
10	4704484	1	BRKT\MUFFLER\JWAC
11	4800114	10	BOLT\HEX\1/2X2
12	4800913	8	BOLT\FLG\SERR\3/8X1\NC
13	4800914	8	BOLT\FLG\SERR\3/8X1-1/4\NC
14	4900014	10	NUT\TPLCK\1/2\NC
15	4900109	16	NUT\FLG\TPLCK\3/8\NC
16	7500514	4	FTG\RBBR\7\90DEG\ELL
17	7500643	2	FTG\RBBR\7\CPLG
18	7500644	16	CLMP\HOSE\7
19	7500910	2	FTG\RBBR\7x6\CPLG
20	7500920	2	AIRCLEANER\FVG
21	7500954	1	MFFLR\CAT\3412\OFFSET
22	7501066	2	SPRTR\INLINE\H001906

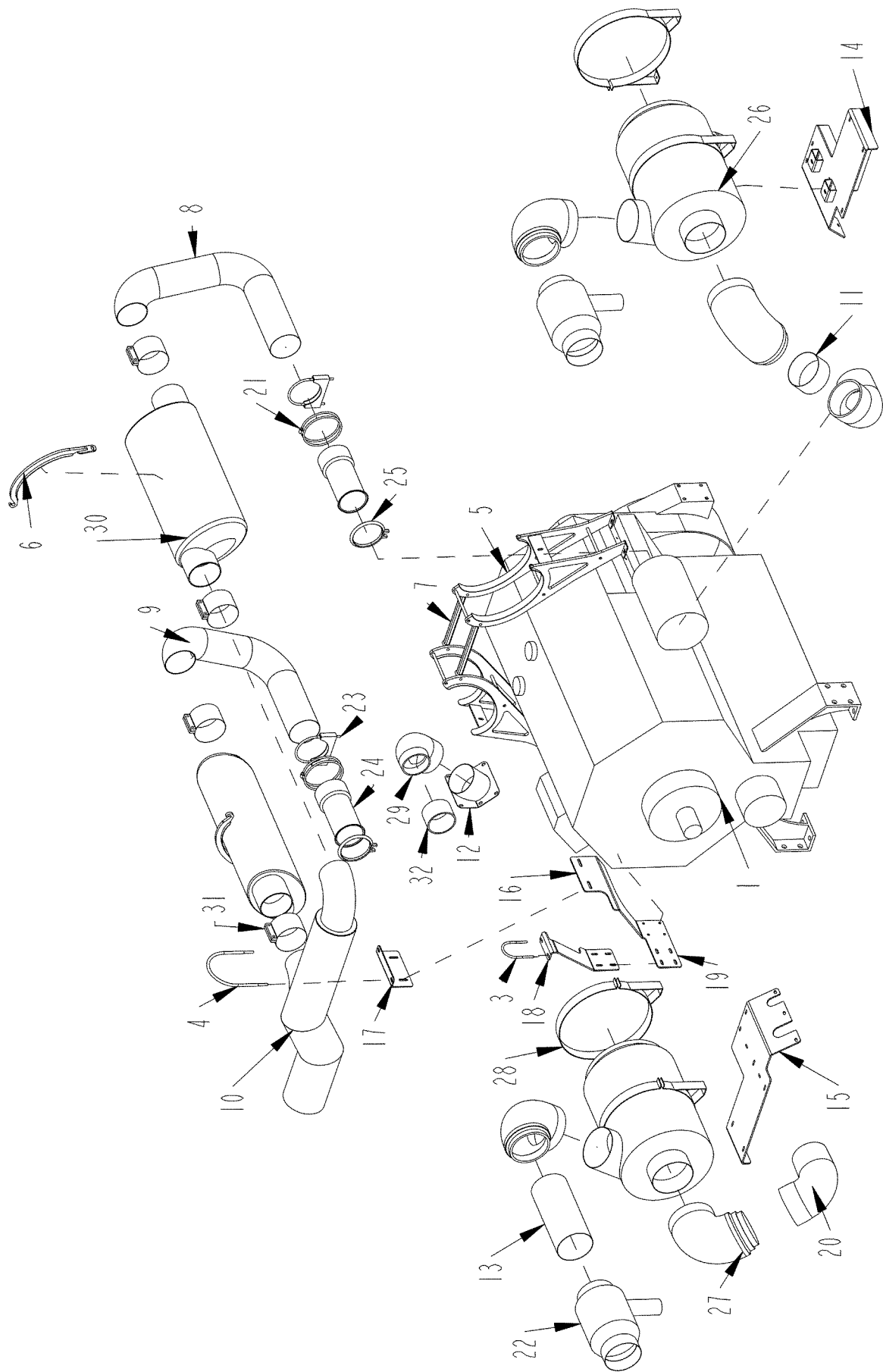
REPLACEMENT FILTER ELEMENT FOR 7500920

4400084	FLTR\ELMT\AIR\PRIMARY
4400085	FLTR\ELMT\AIR\SAFETY

REPLACEMENT FILTERS

4400029	ENGINE OIL FILTER
4400094	ENGINE PRIMARY FUEL/ WATER SEPERATOR FILTER
4400030	FUEL FILTER

ENGINE COMPARTMENT ASSEMBLY - AIR FILTER & MUFFLER - 950 HP ENGINE



ENGINE COMPARTMENT ASSEMBLY - AIR FILTER & MUFFLER - 950 HP ENGINE

ITEM	PART	QTY.	PART DESCRIPTION
1	0900153	1	ENG\CAT\C-27\950HP\TIER2\HRZNTLGRNDR
2	0900155	1	CLUTCH\FLEX\HPTO15TFO
3	4801222	1	BOLT\U\3\8X4X5-1\2
4	4801223	1	BOLT\U\1\2\8-3\4X10-3\8
5	7100856	2	BRCKT\MFFLR\C27_C32
6	7100859	2	TOP\BRCKT\MFFLR
7	7100860	2	STBLZR\BRCKT\MFFLR
8	7100926	1	TUBE\EXH\LEFT
9	7100927	1	TUBE\EXH\RIGHT
10	7100928	1	TUBE\EXH\EXIT\LEFT
11	7100930	2	TUBE\AIR\INLET
12	7100940	1	TUBE\DRAWOFF\RAD
13	7100956	1	TUBE\AIR\ENG
14	7100963	1	MNT\FLTR\AIR\LEFT
15	7100964	1	MNT\FLTR\AIR\RIGHT
16	7100986	1	BASE\SPRT\EXH\AIR
17	7100987	1	BRCKT\SPprt\EXH
18	7100988	1	BRCKT\SPprt\AIR\CHRG
19	7100989	1	SPprt\EXH\AIR
20	7500922	2	FTG\RBBR\7TO6\90DEG\ELL
21	7500925	2	CLAMP\EXHAUST\6
22	7501066	2	SPRTR\INLINE\H001906
23	7501247	2	CLAMP\EXH\6\U-BOLT
24	7501272	2	EXH\CPLNG\FLEX\STRGHT
25	7501273	2	CLMP\EXH\V-BAND\5-3\4
26	7501274	2	AIRCLEANER\FRG\18"
27	7501276	4	90DEG REDUCING ELBOW
28	7501278	4	CLMP\AIRCLEANER\18"
29	7501279	1	FTG\RBBR\6TO5\90DEG\ELL
30	7501284	2	MFFLR\DONALDSON\M122300
31	7501327	4	CLAMP\EXH\6\BAND\FLAT
32	7501329	1	FTG\RBBR\5\STRGHT

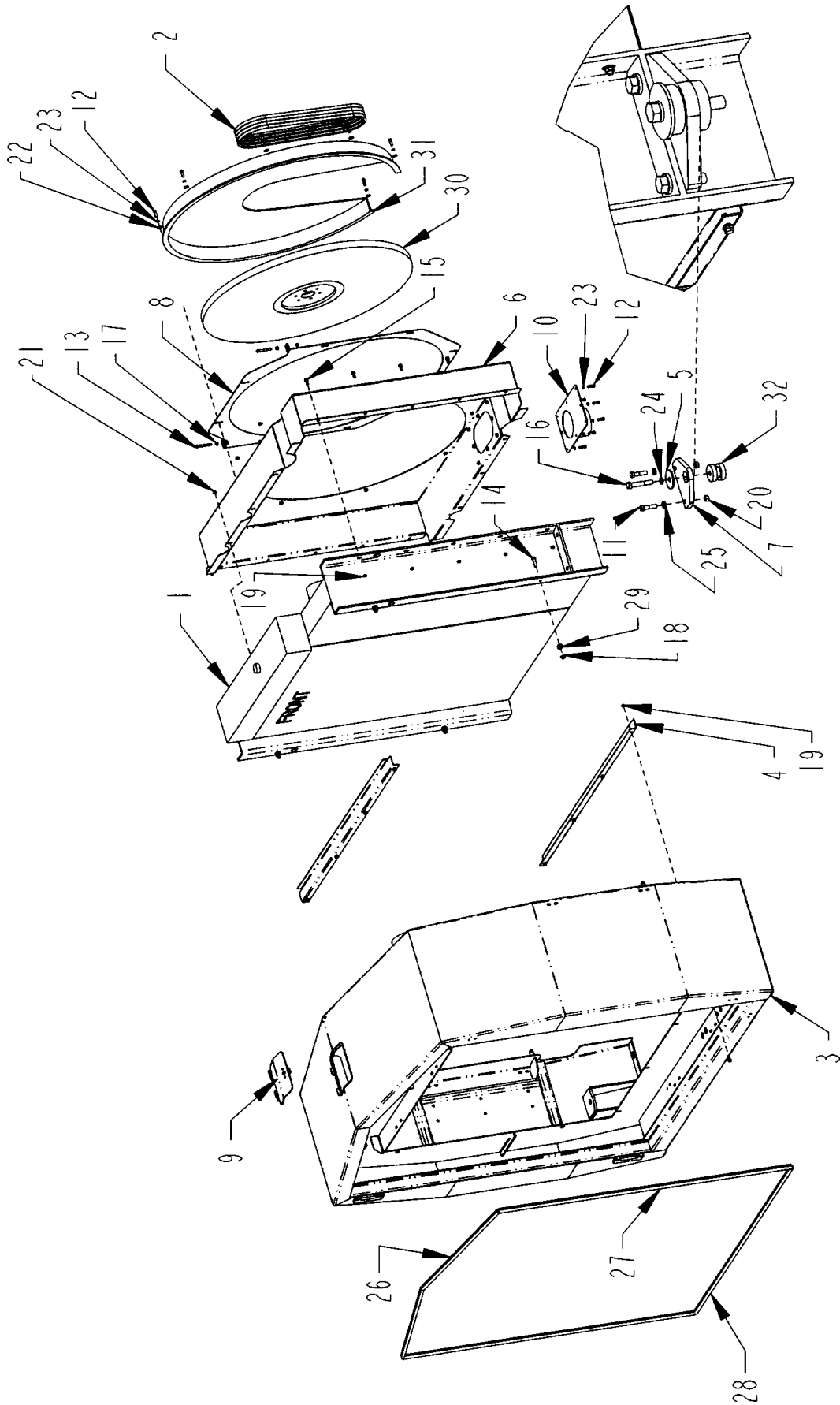
REPLACEMENT FILTER ELEMENT FOR 7501274

4400122	FLTR\ELMT\AIR\PRMRY\
4400123	FLTR\ELMT\AIR\SAFTY

REPLACEMENT FILTERS

4400117	FLTR\ELMT\OIL\CAT
4400125	FLTR\ELMT\FUEL\CAT
4400133	FLTR\FUEL\CAT\PRIMARY W\SPRTR

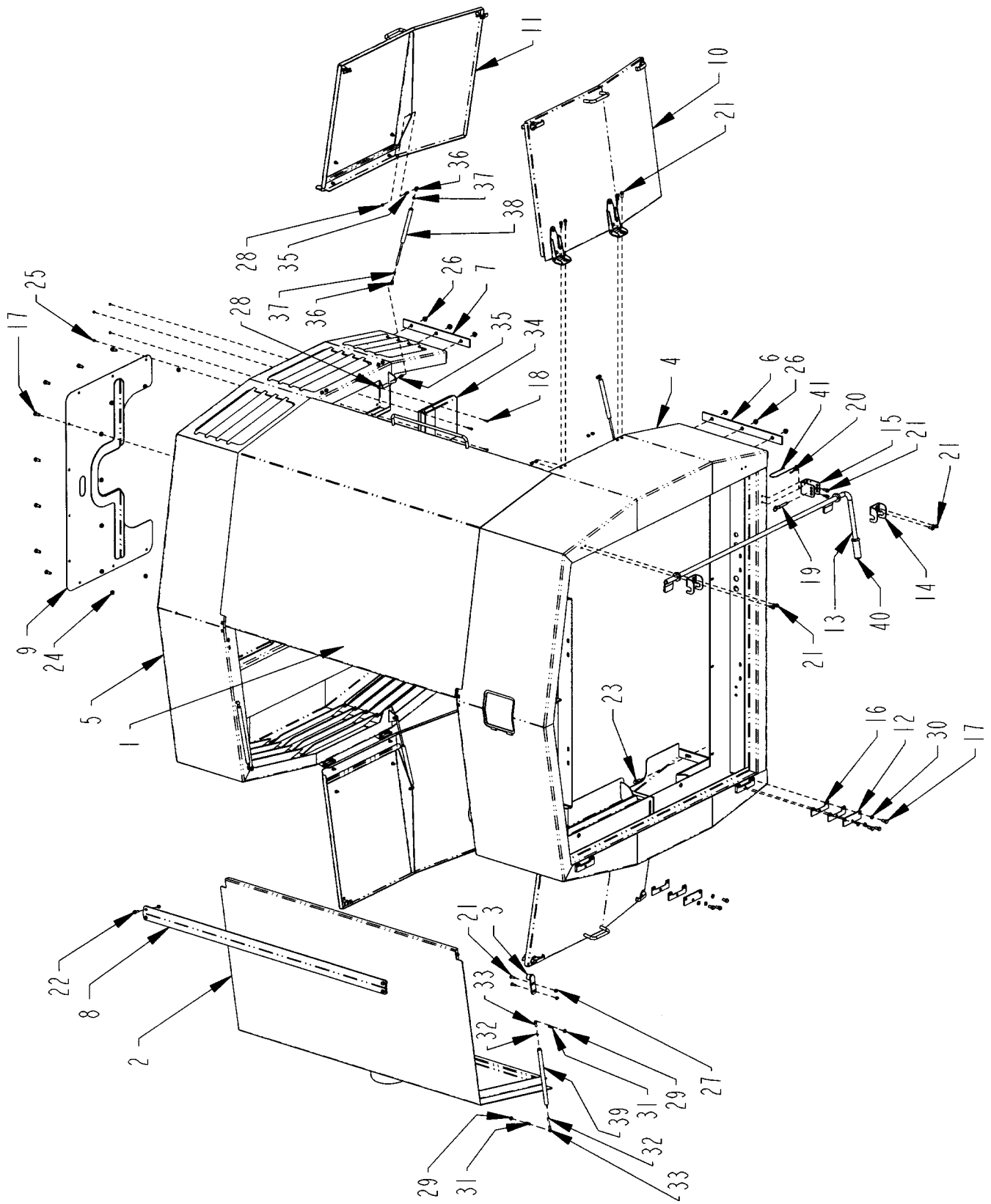
**ENGINE COMPARTMENT ASSEMBLY - RADIATOR AND FAN
650 HP & 860 HP ENGINES**



**ENGINE COMPARTMENT ASSEMBLY - RADIATOR AND FAN
650 HP & 860 HP ENGINES**

ITEM	PART	QTY.	PART DESCRIPTION
1	0900124	1	RADI\ENG\AKG\650HP\CAT for 650 HP Engine
1	0900138		RADI\ENG\AKG\860HP\CAT for 860 HP Engine
2	1600040	4	V-BELT\B\65
3	4703134	1	SHROUD\ENGINE\FRONT
4	4703176	2	ANGLE\SEAL\RAD
5	4703181	2	WASH\SNUB\MNT
6	4703185	1	BRKT\GUARD\FAN
7	4703193	2	MNTR\RAD\AKG
8	4703200	1	SH\GUARD\FAN
9	4703801	1	CVR\RAD\SHROUD\FRNT\ASSY
10	4703814	1	BRKT\HOSE\CLNR\SCRN
11	4800017	4	BOLT\HEX\3/4X3
12	4800098	16	BOLT\HEX\3/8X1-1/4\NC
13	4800156	2	BOLT\HEX\3/8X3
14	4800178	4	BOLT\HEX\1/2X1-3/4
15	4800913	18	BOLT\FLG\SERR\3/8X1\NC
16	4800925	2	BOLT\HEX\7/8X5
17	4900076	4	NUT\FLG\SERR\3/8\NC
18	4900100	4	NUT\FLG\TPLCK\1/2\NC
19	4900109	18	NUT\FLG\TPLCK\3/8\NC
20	4900139	4	NUT\TPLCK\3/4\GR8\NC
21	4900167	6	NUT\FLG\5/16\WIDEBASE
22	5000001	8	WASH\FLAT\3/8
23	5000019	16	WASH\LOCK\3/8
24	5000106	2	WASH\LOCK\7/8
25	5000115	4	WASH\FLAT\3/4\EXTRTHK\GR8
26	7500937	2	SEAL\BULB\TRIM\37-1/4"
27	7500937	2	SEAL\BULB\TRIM\67-3/8"
28	7500937	1	SEAL\BULB\TRIM\73-1/4"
29	7500942	4	GRMT\RBBR\1.125X9/16X.656
30	7500961	1	FAN\RAD\46\16BLADE\3412T2
31	7500964	1	GAURD\FAN\46
32	7501062	2	CUSH\RBBR\3-1/2ODX2-7/8\>
NOT SHOWN			
	3700630	3.125 ft	HOSE\AIR\6"ID\
	7500644	2	CLAMP\HOSE\7

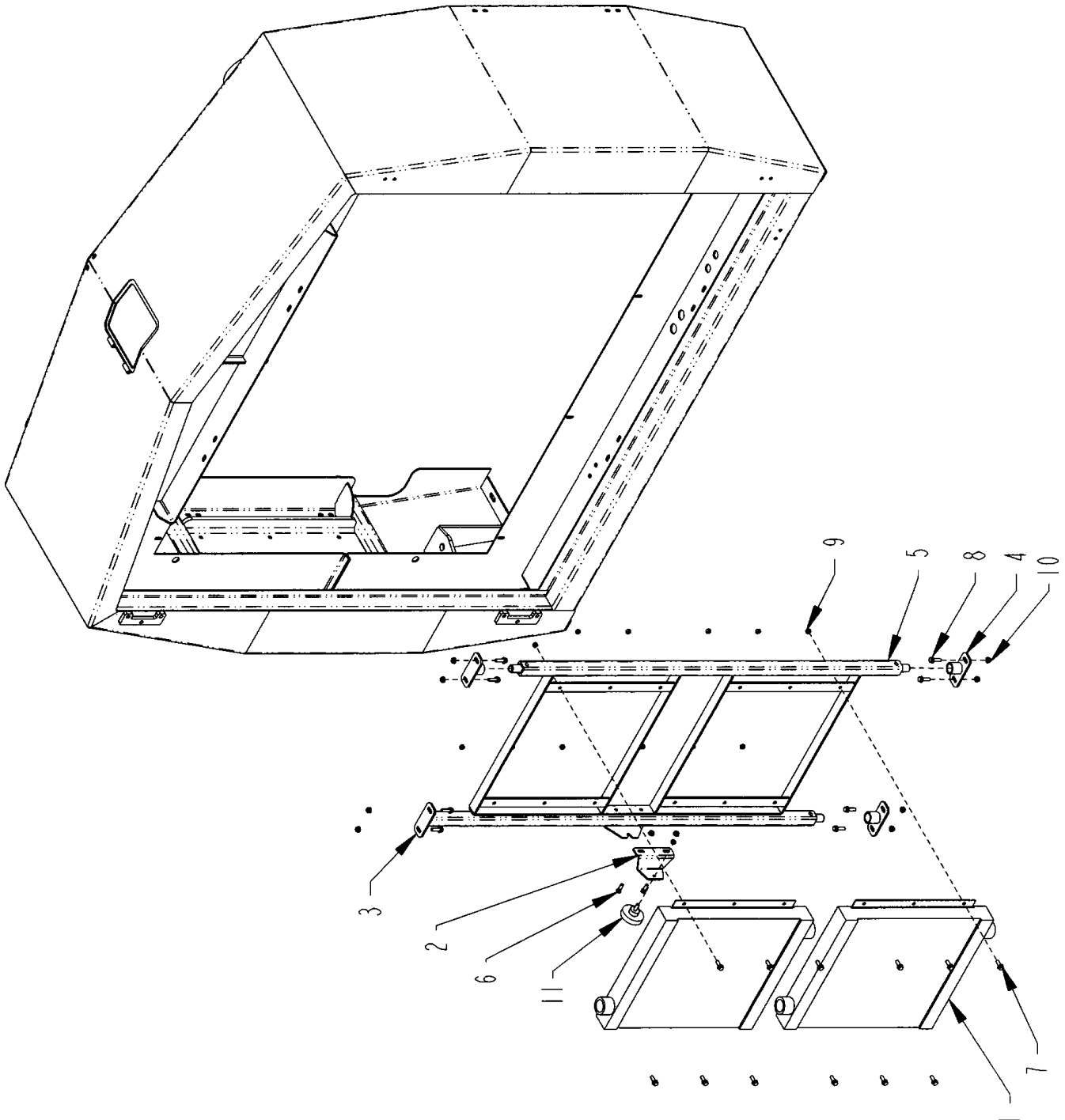
**ENGINE COMPARTMENT ASSEMBLY - GULL WING DOORS
650 HP AND 860 HP ENGINES**



**ENGINE COMPARTMENT ASSEMBLY - GULL WING DOORS
650 HP AND 860 HP ENGINES**

ITEM	PART	QTY.	PART DESCRIPTION
1	4703129	1	COVER\ENGLH
2	4703130	1	COVER\ENGRH
3	4703131	4	BRKT\PIVOT\DOOR
4	4703134	1	SHROUD\ENGINE\FRONT
5	4703135	1	SHROUD\ENGINE\REAR
6	4703136	2	BELT\CUSHION\SHROUD
7	4703137	2	BELT\CUSHION\SHROUD\REAR
8	4703142	1	CVR\RIDGE\SHROUD\ENG
9	4703150	1	DOOR\ACCESS\SHOURD\REAR for 650 HP Engine
9	4704485		DOOR\ACCESS\SHRD\REAR\860 for 860 HP Engine
10	4703580	2	ASSY\DOOR\LH\COMP\ENG
11	4703581	2	ASSY\DOOR\COMP\ENG
12	4703805	2	CAP\TAB\LATCH\DOOR\SCRN\ROT
13	4703806	1	LATCH\ASSY\DOOR\SCRN\ROT
14	4703808	2	HINGE\LATCH\DOOR\SCRN\ROT
15	4703809	1	RTNR\LVR\LATCH\DOOR\SCRN
16	4703830	4	MNT\LATCH\DOOR\SHIM
17	4800085	16	BOLT\HEX\1/2X1
18	4800168	4	SCR\FLNG\SERR\1/4X1
19	4800641	1	PIN\LOCK\SELF\1/2X2.5
20	4800642	1	RIM\POP\STL\3/16X11/16
21	4800913	30	BOLT\FLG\SERR\3/8X1\NC
22	4800914	4	BOLT\FLG\SERR\3/8X1-1/4\NC
23	4800928	12	BOLT\FLG\SERR\1/2X1-1/4\NC
24	4900014	10	NUT\TPLCK\1/2\NC
25	4900084	4	NUT\TPLCK\1/4\NC
26	4900100	12	NUT\FLG\TPLCK\1/2\NC
27	4900109	28	NUT\FLG\TPLCK\3/8\NC
28	4900117	8	NUT\TPLCK\5/16\NF
29	4900167	8	NUT\FLG\5/16\WIDEBASE
30	5000006	6	WASH\LOCK\1/2
31	7500345	8	BALL STUD
32	7500346	8	SAFETY CLIP
33	7500583	8	END FITTING\GAS SPRING
34	7500590	1	ENCL\OPS\8-1/2X11X1-5/8
35	7500664	8	BALL STUD\SHOCK\FITTING\M6
36	7500665	8	END FITTING\GAS SPRING \m6
37	7500666	8	SAFETY CLIP
38	7500680	4	SPRNG\GAS\60LB\9416K174
39	7500705	4	SPRNG\GAS\250LB\9416K224
40	7500736	1	GRIP\HAND\1X4-1/2\FLG
41	7500882	1	CBL\ASSY\7/64X12

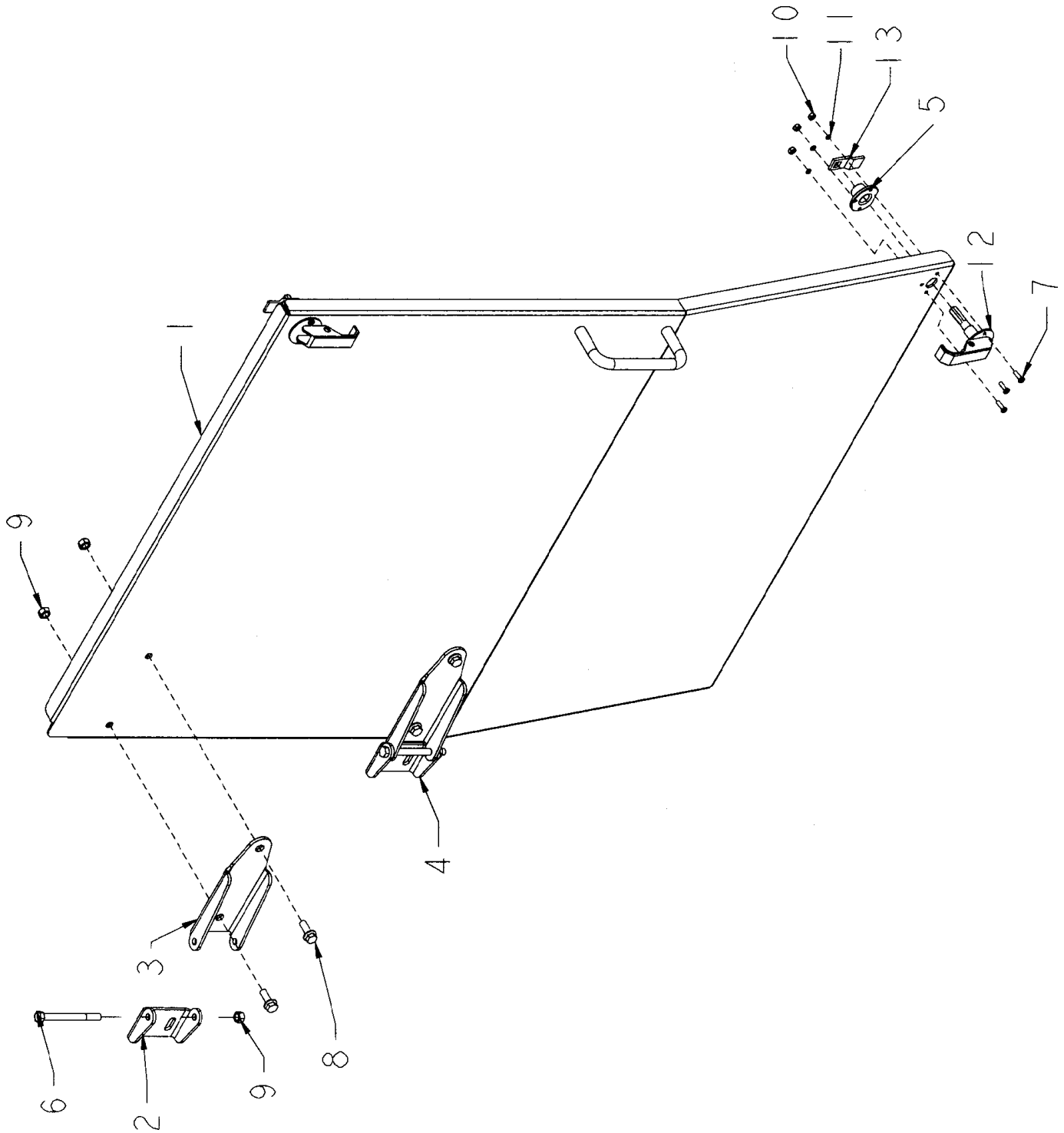
**ENGINE COMPARTMENT ASSEMBLY - HYDRAULIC
RADIATORS - 650 HP AND 860 HP ENGINES**



**ENGINE COMPARTMENT ASSEMBLY - HYDRAULIC
RADIATORS - 650 HP AND 860 HP ENGINES**

ITEM	PART	QTY.	PART DESCRIPTION
1	4000219	2	RAD\HYD\23X19\1-1/16"-1
2	4501490	1	BRKT\CLAMP\FRM\COOLER\OIL
3	4703175	1	MNT\COOLER
4	4703177	3	BRKT\COOLER\OIL
5	4703180	1	FRM\PIVOT\COOLER\OIL
6	4800003	2	BOLT\HEX\3/8X1
7	4800913	12	BOLT\FLG\SERR\3/8X1\NC
8	4800914	8	BOLT\FLG\SERR\3/8X1-1/4\NC
9	4900023	13	NUT\TPLCK\3/8\NC
10	4900109	10	NUT\FLG\TPLCK\3/8\NC
11	7500891	1	KNOB\CLAMP\3/8NCx1"STUD

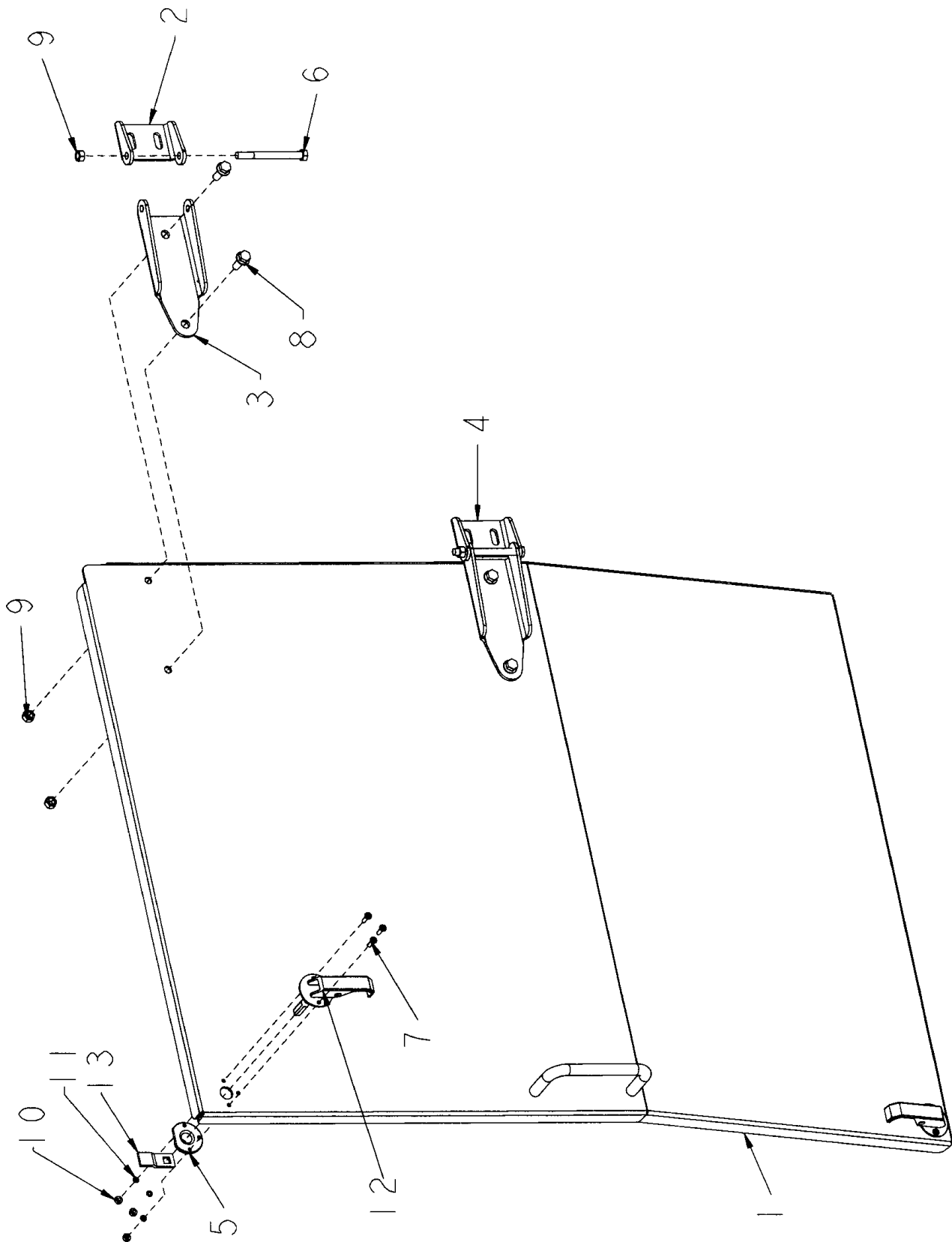
**ENGINE COMPARTMENT ASSEMBLY - ENGINE SIDE DOORS - LH
650 HP AND 860 HP ENGINES**



**ENGINE COMPARTMENT ASSEMBLY - ENGINE SIDE DOORS - LH
650 HP AND 860 HP ENGINES**

ITEM	PART	QTY.	PART DESCRIPTION
1	4703132	1	DOOR\ACCESS\ENGINE
2	4703577	2	HINGE\FAB\3\BASE
3	4703578	2	HINGE\FAB\3-1/2\OUTER
4	4703579	2	HINGE\ASSY\FAB\3-1/2
5	4704046	2	FLANGE\REINFORCE\LATCH
6	4800089	2	BOLT\HEX\3/8X4
7	4800457	4	SCR\RD\PLH\#10X5/8
8	4800913	4	BOLT\FLG\SERR\3/8X1\NC
9	4900023	6	NUT\TPLCK\3/8\NC
10	4900072	4	NUT\HEX\#10\NC
11	5000071	4	WASH\LOCK;EXT\STAR\#10
12	7500907	2	LATCH\COMP\HD\1.18-2.36
13	7500908	2	LATCH\COMP\HD\OFFSET;CAM
	4704459		LATCH\COMP\KIT\REPAIR Includes 5, 7, 12, 13, and 7500977
	7500977		LOCTITE\BLUE\242\5ML

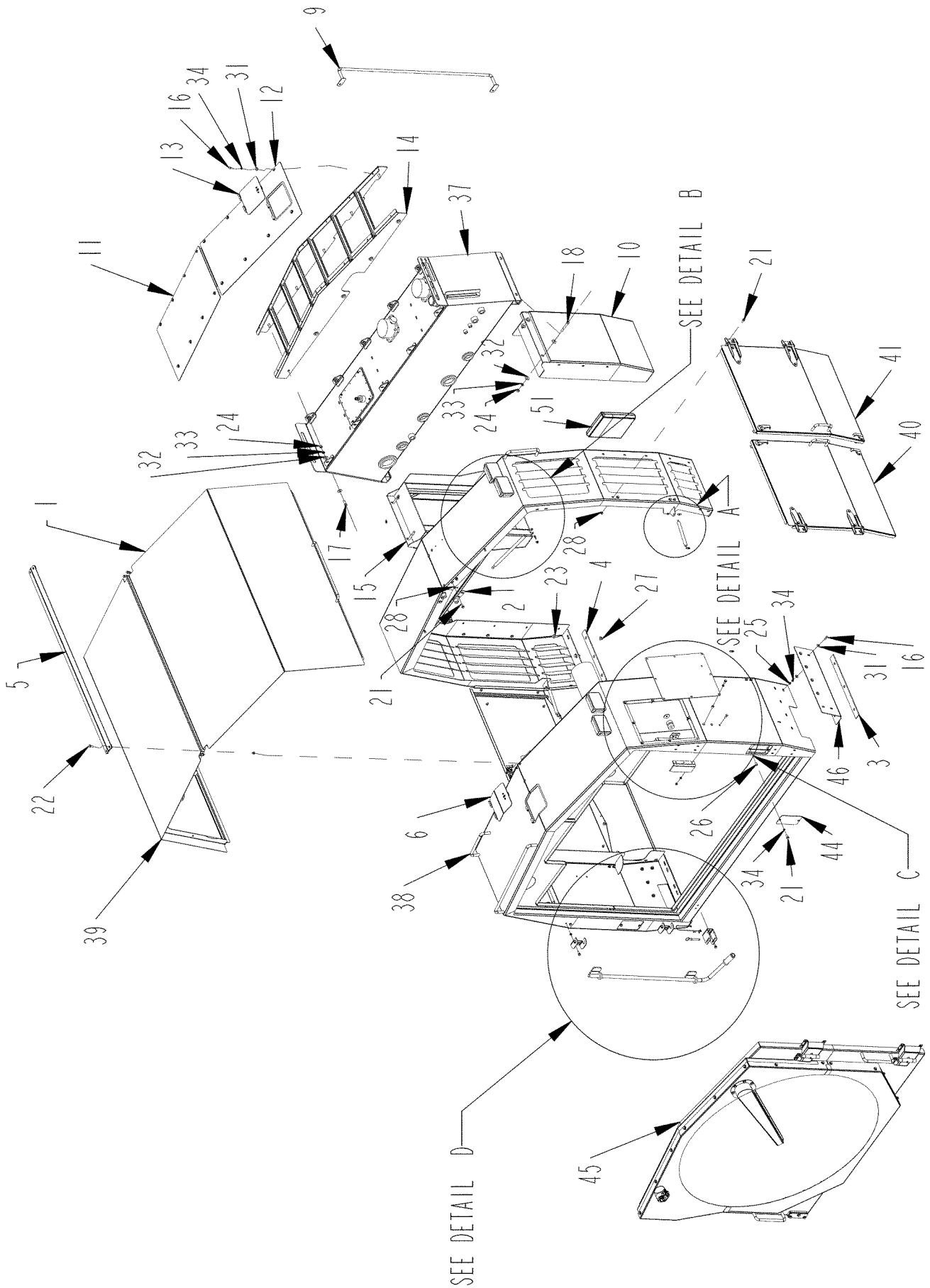
**ENGINE COMPARTMENT ASSEMBLY - ENGINE SIDE DOORS - RH
650 HP AND 860 HP ENGINES**



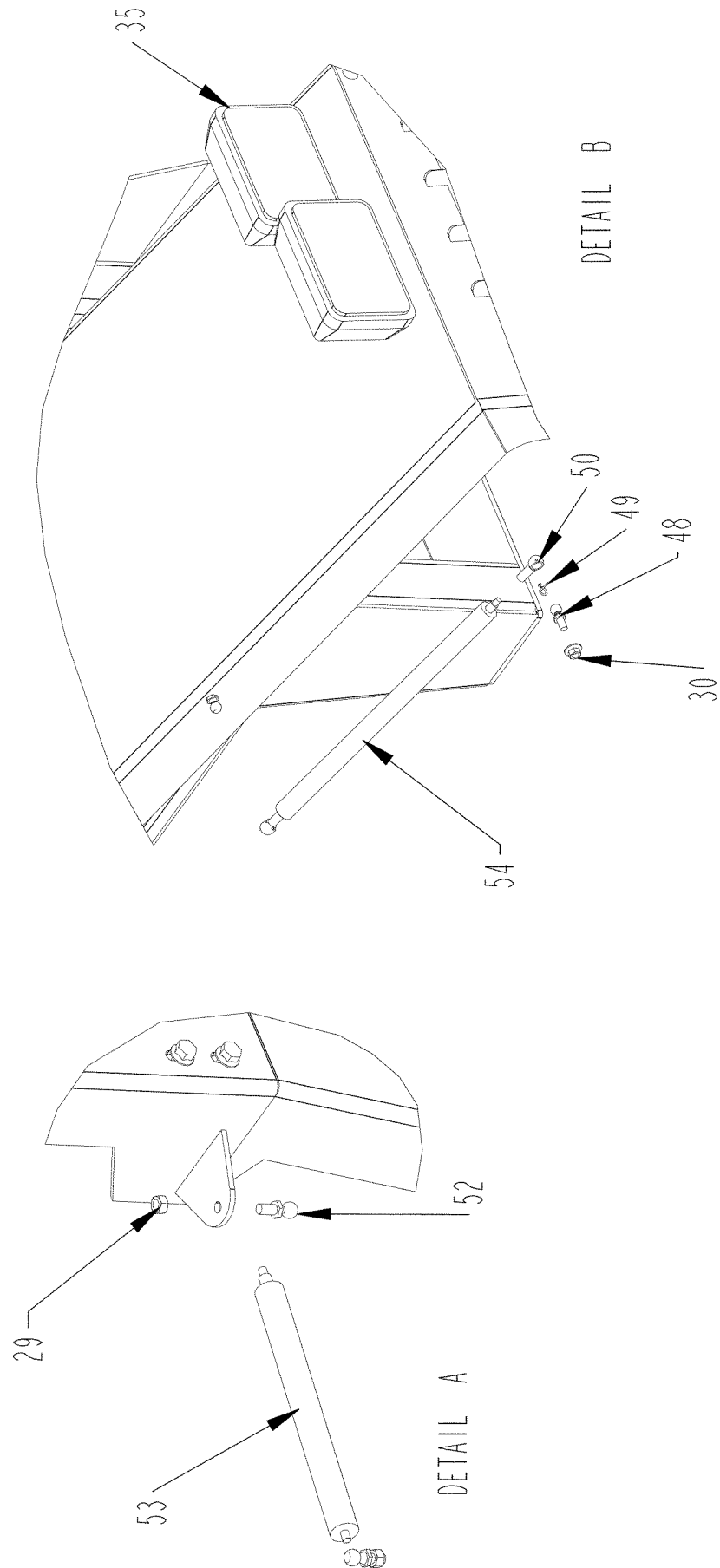
**ENGINE COMPARTMENT ASSEMBLY - ENGINE SIDE DOORS - RH
650 HP AND 860 HP ENGINES**

ITEM	PART	QTY.	PART DESCRIPTION
1	4703133	1	DOOR\ACCESS\ENGINE
2	4703577	2	HINGE\FAB\3\BASE
3	4703578	2	HINGE\FAB\3-1/2\OUTER
4	4703579	2	HINGE\ASSY\FAB\3-1/2
5	4704046	2	FLANGE\REINFORCE\LATCH
6	4800089	2	BOLT\HEX\3/8X4
7	4800457	4	SCR\RD\PLH\#10X5/8
8	4800913	4	BOLT\FLG\SERR\3/8X1\NC
9	4900023	6	NUT\PLCK\3/8\NC
10	4900072	4	NUT\HEX\#10\NC
11	5000071	4	WASH\LOCK;EXT\STAR\#10
12	7500907	2	LATCH\COMP\HD\1.18-2.36
13	7500908	2	LATCH\COMP\HD\OFFSET;CAM
	4704459		LATCH\COMP\KIT\REPAIR Includes 5, 7, 12, 13, and 7500977
	7500977		LOCTITE\BLUE\242\5ML

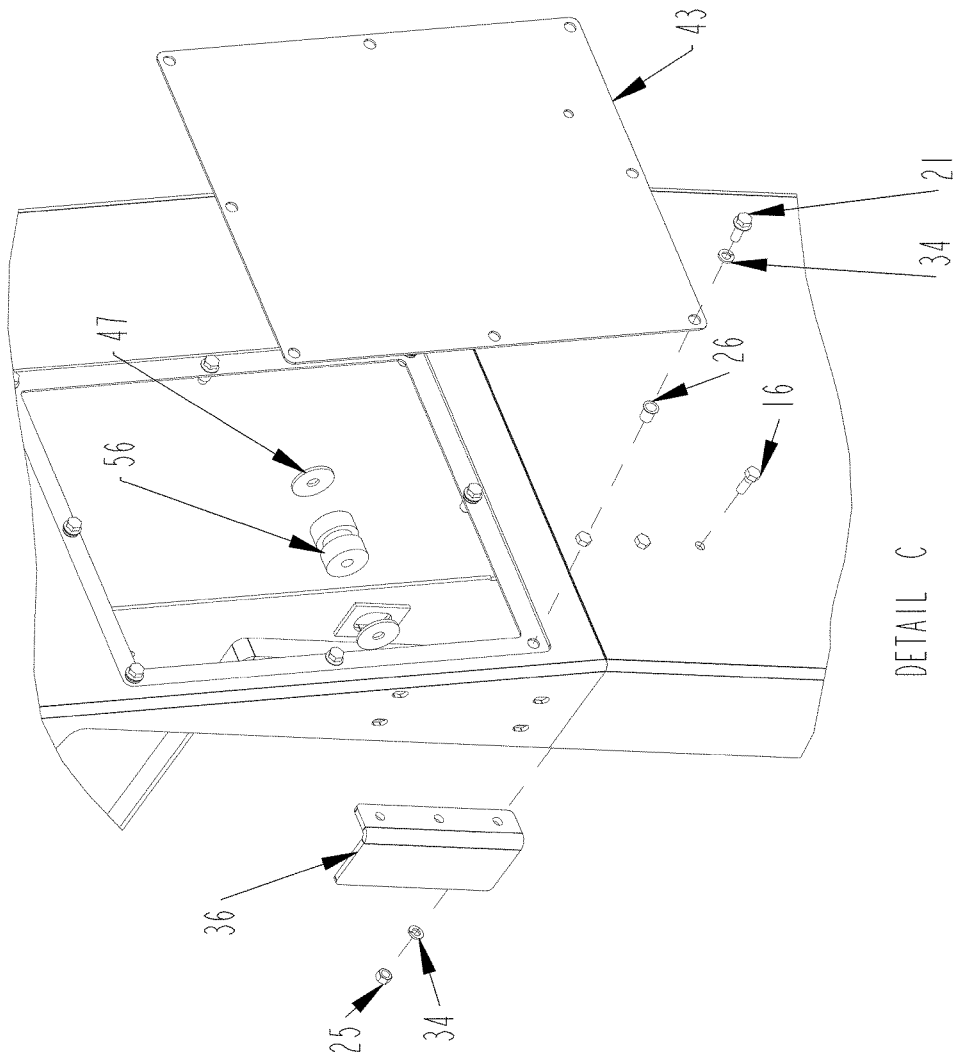
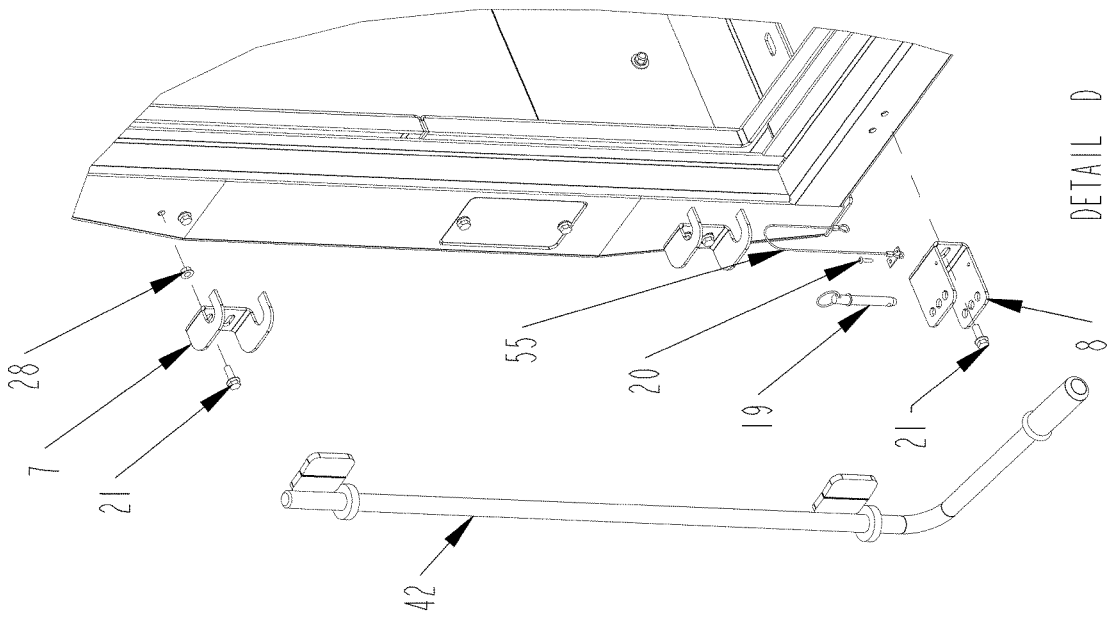
950 HP - SHROUD ASSEMBLY



950 HP - SHROUD ASSEMBLY - DETAILS A & B



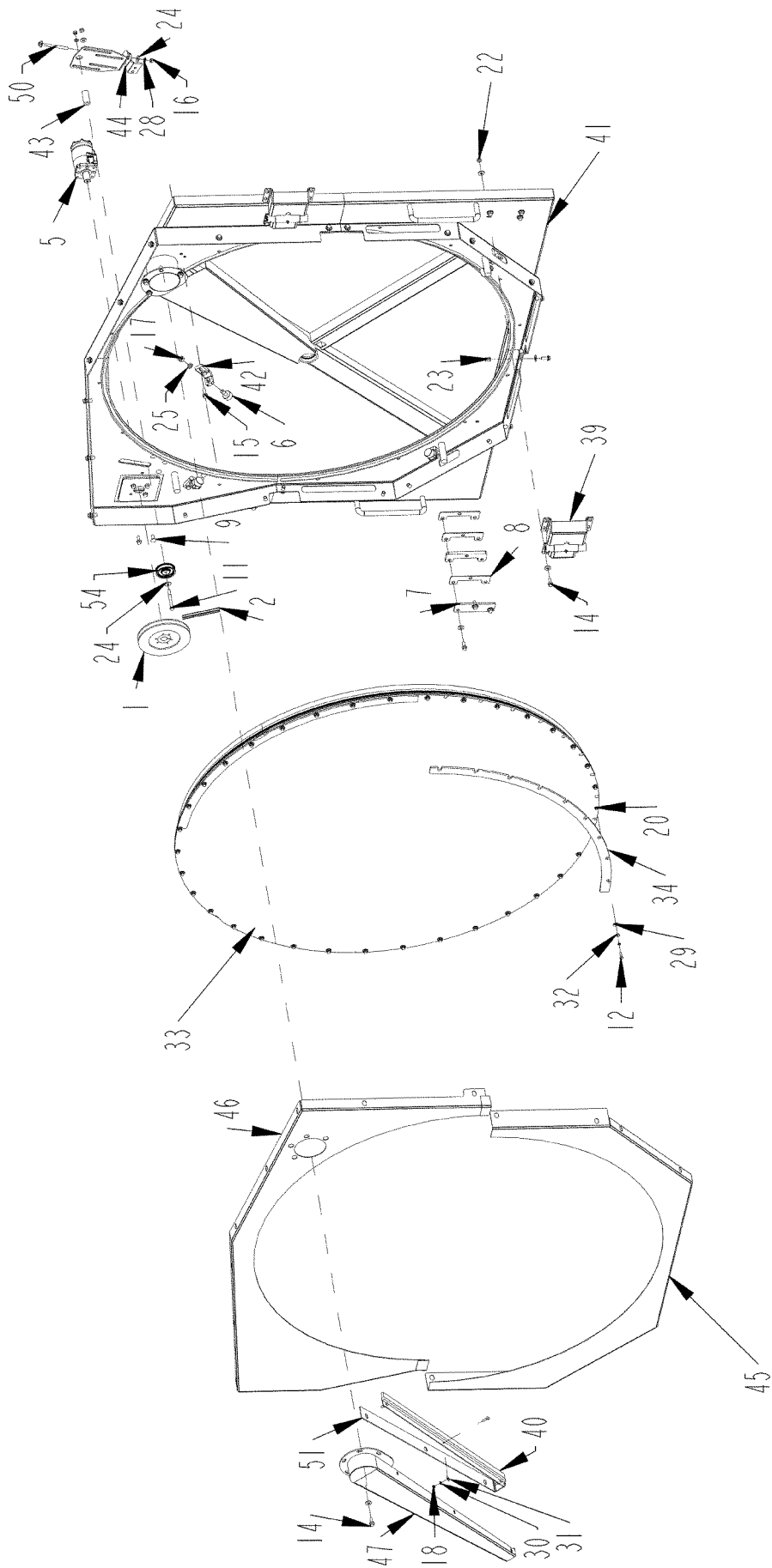
950 HP - SHROUD ASSEMBLY - DETAILS C & D



950 HP - SHROUD ASSEMBLY

ITEM	PART	QTY.	PART DESCRIPTION
1	4703129	1	COVER\ENG\LH
2	4703131	4	BRKT\PIVOT\DOOR
3	4703136	2	BELT\CUSHION\SHROUD
4	4703137	2	BELT\CUSHION\SHROUD\REAR
5	4703142	1	CVR\RIDGE\SHROUD\ENG
6	4703801	1	CVR\RAD\SHROUD\FRNT\ASSY
7	4703808	2	HINGE\LATCH\DOOR\SCRN\ROT
8	4703809	1	RTNR\LVRL\ATCH\DOOR\SCRN
9	4704739	1	HNDL\SHRD
10	4704905	1	MNT\TANK\OIL
11	4704906	1	COVER\OILTANK
12	4704907	1	COVER\TANK\OIL\LH
13	4704915	1	CVR\HOLE\ACCSS
14	4704916	1	FRM\CVR\TANK\OIL
15	4704917	1	MNT\TANK\OIL
16	4800003	38	BOLT\HEX\3/8X1
17	4800082	10	BOLT\HEX\1/2X1-1/2
18	4800188	4	BOLT\HEX\1/2X4
19	4800641	1	PIN\LOCK\SELF\1/2X2.5
20	4800642	1	RIV\POI\STL\3/16X11/16
21	4800913	110	BOLT\FLG\SERR\3/8X1\NC
22	4800914	12	BOLT\FLG\SERR\3/8X1-1/4\NC
23	4800928	6	BOLT\FLG\SERR\1/2X1-1/4\NC
24	4900001	14	NUT\HEX\1/2\NC
25	4900002	25	NUT\HEX\3/8\NC
26	4900082	46	NUT\INSERT\3/8\027X.150GR
27	4900100	6	NUT\FLG\TPLCK\1/2\NC
28	4900109	34	NUT\FLG\TPLCK\3/8\NC
29	4900117	6	NUT\TPLCK\5/16\NF
30	4900167	6	NUT\FLG\5/16\WIDEBASE
31	5000001	103	WASH\FLAT\3/8
32	5000004	28	WASH\FLAT\1/2
33	5000006	18	WASH\LOCK\1/2
34	5000019	57	WASH\LOCK\3/8
35	5700317	4	LAMP\HALOGEN\4X6\24V
36	7100349	2	PL\SHRD\RAD\RTNR
37	7100867	1	TANK\OIL\C27/32
38	7100871	1	SHROUD\ENGINE\FRONT
39	7100872	1	COVER\ENG\RH
40	7100875	2	ASSY\DOOR\LH\COMPIENG
41	7100877	2	ASSY\DOOR\RH\COMPIENG
42	7100879	1	LATCH\ASSY\DOOR\SCRN\ROT
43	7100933	2	COVER\ACCESS\RAD\LEFT
44	7100934	2	COVER\ACCESS\RAD\RIGHT
45	7100941	1	DOOR\FR\SHRD\C27/32
46	7100951	2	MNT\SHRD\FRNT
47	7100977	4	WASH\SNUB\1-7/8X17/32
48	7500345	4	BALL STUD
49	7500346	2	SAFETY CLIP
50	7500583	2	END FITTING\GAS SPRING
51	7500590	1	ENCL\OPS\8-1/2X11X1-5/8
52	7500664	6	BALL STUD\SHOCK\FITTING\M6
53	7500680	2	SPRNG\GAS\60LB\9416K174
54	7500705	1	SPRNG\GAS\250LB\9416K224
55	7500882	1	CBL\ASSY\7\64X12
56	7501183	2	CUSH\RBBR\1.87"ODX1.31"IDX390LB

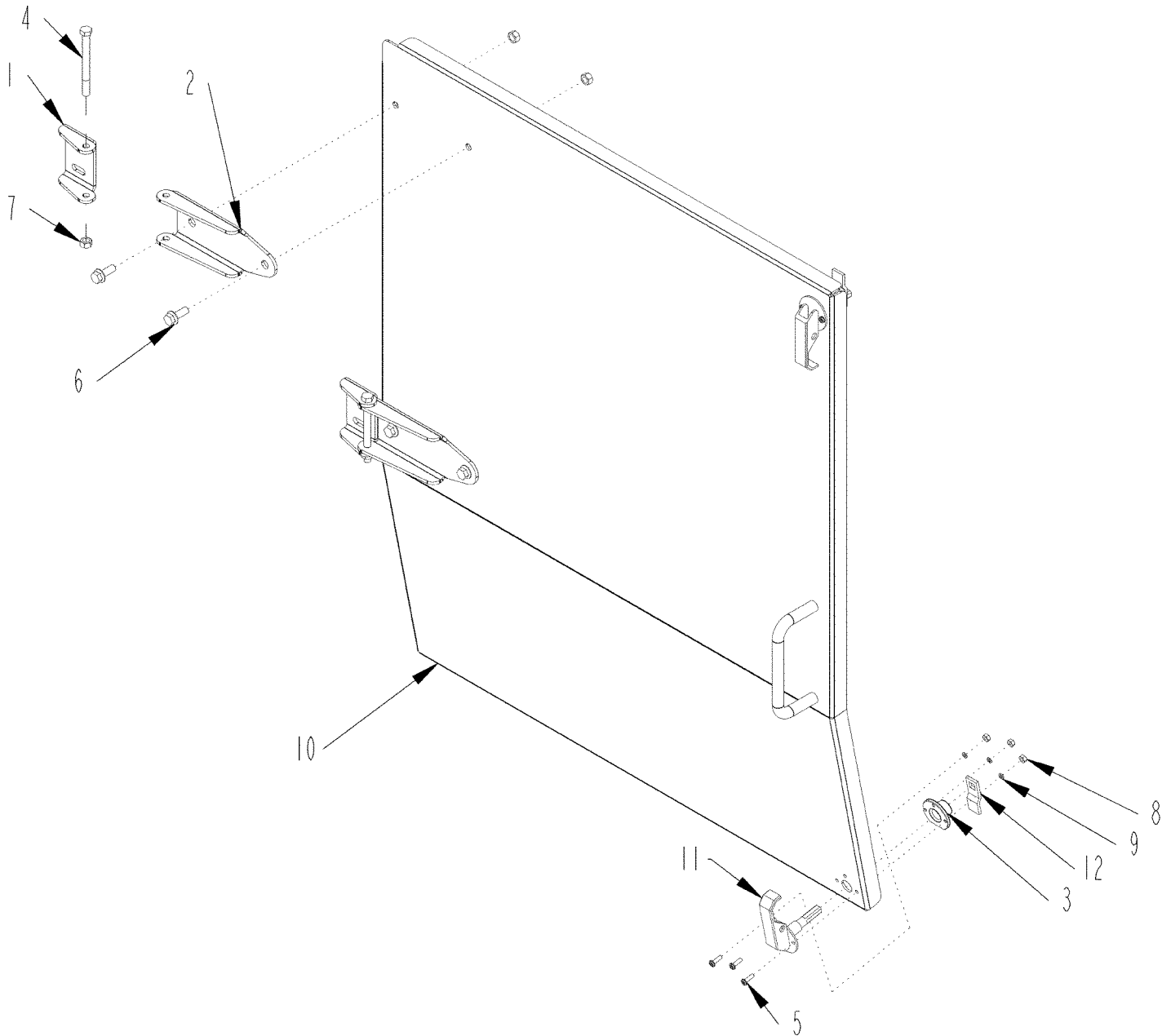
950 HP - SHROUD FRONT DOOR ASSEMBLY



950 HP - SHROUD FRONT DOOR ASSEMBLY

ITEM	PART	QTY.	PART DESCRIPTION
1	1400616	1	SHVE\BK-11"BORE
2	1600097	1	V-BELT\B225
3	2000082	2	BRG\BALL\SEALED\1.811X2.4409
4	3800043	2	FTG\LUB\1/8MPXZRK\SHORT
5	3900031	1	MTR\HYD\101-1011\5.9CI
6	4600228	4	RLLR\GUIDE\LDDR\CAB
7	4703805	2	CAP\TAB\LATCH\DOOR\SCRN\ROT
8	4703830	6	MNT\LATCH\DOOR\SHIM
9	4800053	6	BOLT\CRG\3/8X1\NC
10	4800071	4	BOLT\HEX\5/16X1-1/4
11	4800197	1	BOLT\HEX\3/8X3-1/2
12	4800277	38	BOLT\HEX\1/4X1
13	4800456	2	PIN\RLLD\3/16X1-1/8
14	4800913	44	BOLT\FLG\SERR\3/8X1\NC
15	4800914	8	BOLT\FLG\SERR\3/8X1-1/4\NC
16	4900002	3	NUT\HEX\3/8\NC
17	4900007	4	NUT\HEX\1/2\NF
18	4900009	3	NUT\HEX\1/4\NC
19	4900027	4	NUT\FLG\TPLCK\5/16\NC
20	4900040	38	NUT\FLG\SERR\1/4\NC
21	4900042	2	NUT\JAM\1\NC
22	4900076	22	NUT\FLG\SERR\3/8\NC
23	4900082	26	NUT\INSERT\3/8\027X.150GR
24	5000001	55	WASH\FLAT\3/8
25	5000006	4	WASH\LOCK\1/2
26	5000007	2	WASH\1-1/4\MACH\BUSH
27	5000018	1	WASH\FLAT\1\10GA\1-1/2 O.D.
28	5000019	2	WASH\LOCK\3/8
29	5000023	35	WASH\FLAT\5/16
30	5000024	38	WASH\LOCK\1/4
31	5000035	3	WASH\FLAT\1/4
32	5000121	35	WASH\FLAT\1/4\EXTRTHK\GR8
33	7100527	1	SCREEN\ROTATING
34	7100528	1	SCREEN\ROTATING\ASSEMBLY
35	7100531	1	SCREEN\RADIATOR\FECON
36	7100651	2	HINGE\RAD\LONG
37	7100652	2	HINGE\RAD\SHORT
38	7100653	2	PIN\HINGE\RAD
39	7100654	2	HINGE\RAD
40	7100782	1	BRUSH\WIPER\RAD
41	7100881	1	MNT\DOOR\SCRN\ROT
42	7100932	4	BRCKT\BEARING\CAM
43	7100935	1	TENS\BELT\SCRN\ROT
44	7100936	1	BRCKT\TENS\BELT
45	7100937	1	CVR\BTM\SCRN
46	7100938	1	COVER\TOP\SCRN
47	7100939	1	TUBE\SUCTION\RAD
48	7100959	2	STRAP\RETAINER\SCREEN\RADIATOR
49	7100960	2	STRAP\RETAINER\SCREEN\RADIATOR
50	7100991	1	BOLT\TENSION\BELT
51	7101020	1	SEAL\SUCTION\RAD
52	7101084	2	BRUSH\STRIP\3/8X103\NYLON
53	7101202	1	WASH\SPCR\1-1/2ODX1.21875IDX1/4THCK
54	7501077	1	SHEAVE\SCRN\RAD

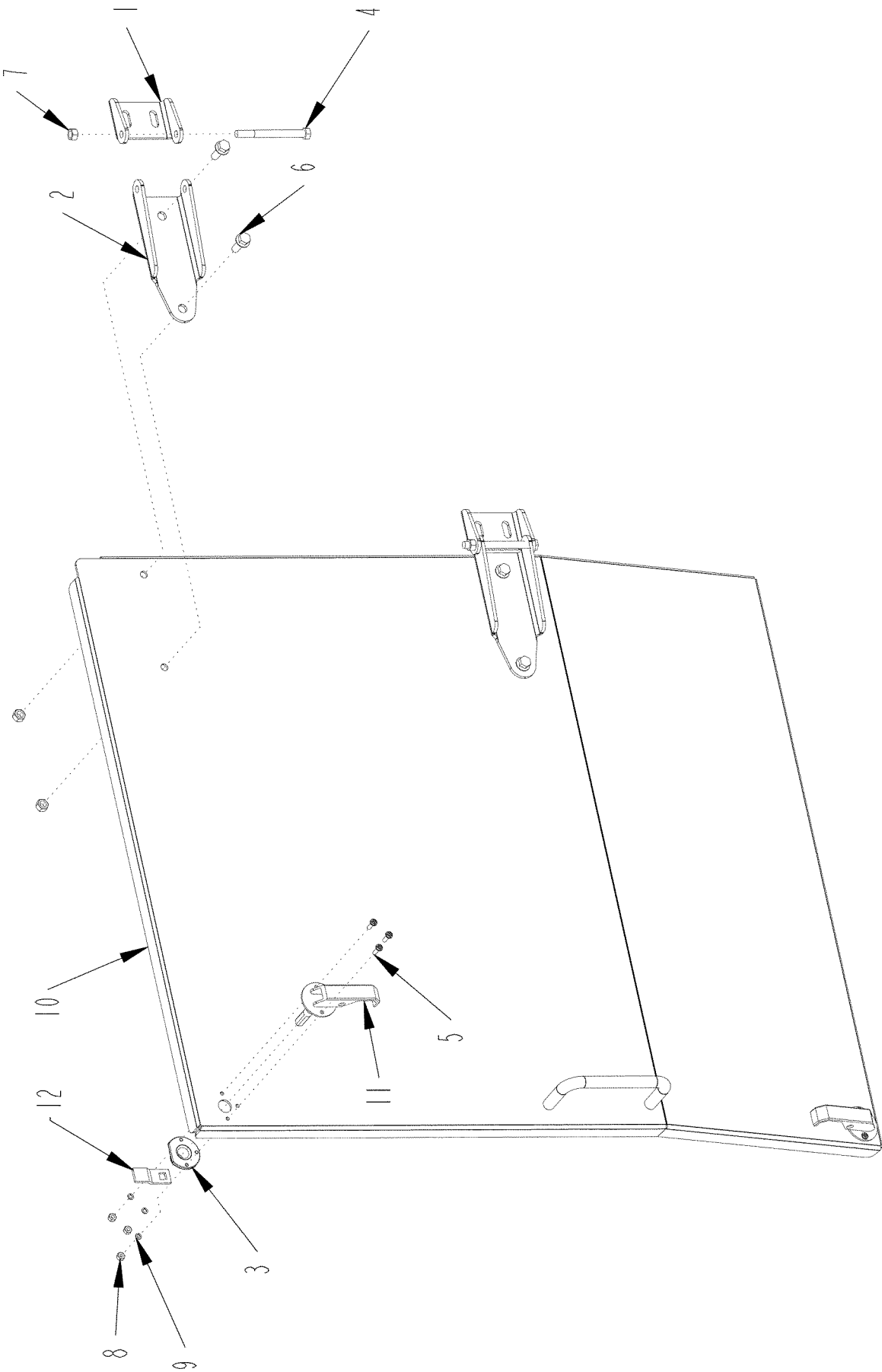
950 HP - LEFT HAND ENGINE DOOR



950 HP - LEFT HAND ENGINE DOOR

ITEM	PART	QTY.	PART DESCRIPTION
1	4703577	2	HINGE\FAB\3\BASE
2	4703578	2	HINGE\FAB\3-1/2\OUTER
3	4704046	2	FLANGE\REINFORCE\LATCH
4	4800089	2	BOLT\HEX\3/8X4
5	4800657	6	SCR\RD\PHL\#10-24X5/8
6	4800913	4	BOLT\FLG\SERR\3/8X1\NC
7	4900023	6	NUT\TPLCK\3/8\NC
8	4900072	6	NUT\HEX\#10\NC
9	5000071	6	WASH\LOCK;EXT\STAR\#10
10	7100876	1	DOOR\ACCESS\ENGINE
11	7500907	2	LATCH\COMP\HD\1.18-2.36
12	7500908	2	LATCH\COMP\HD\OFFSET;CAM
	4703579		HINGE\ASSY\FAB\3-1/2 (INCLUDES #1, 2, 4, & 7)
	7100875		ASSY\DOOR\LH\COMP\ENG

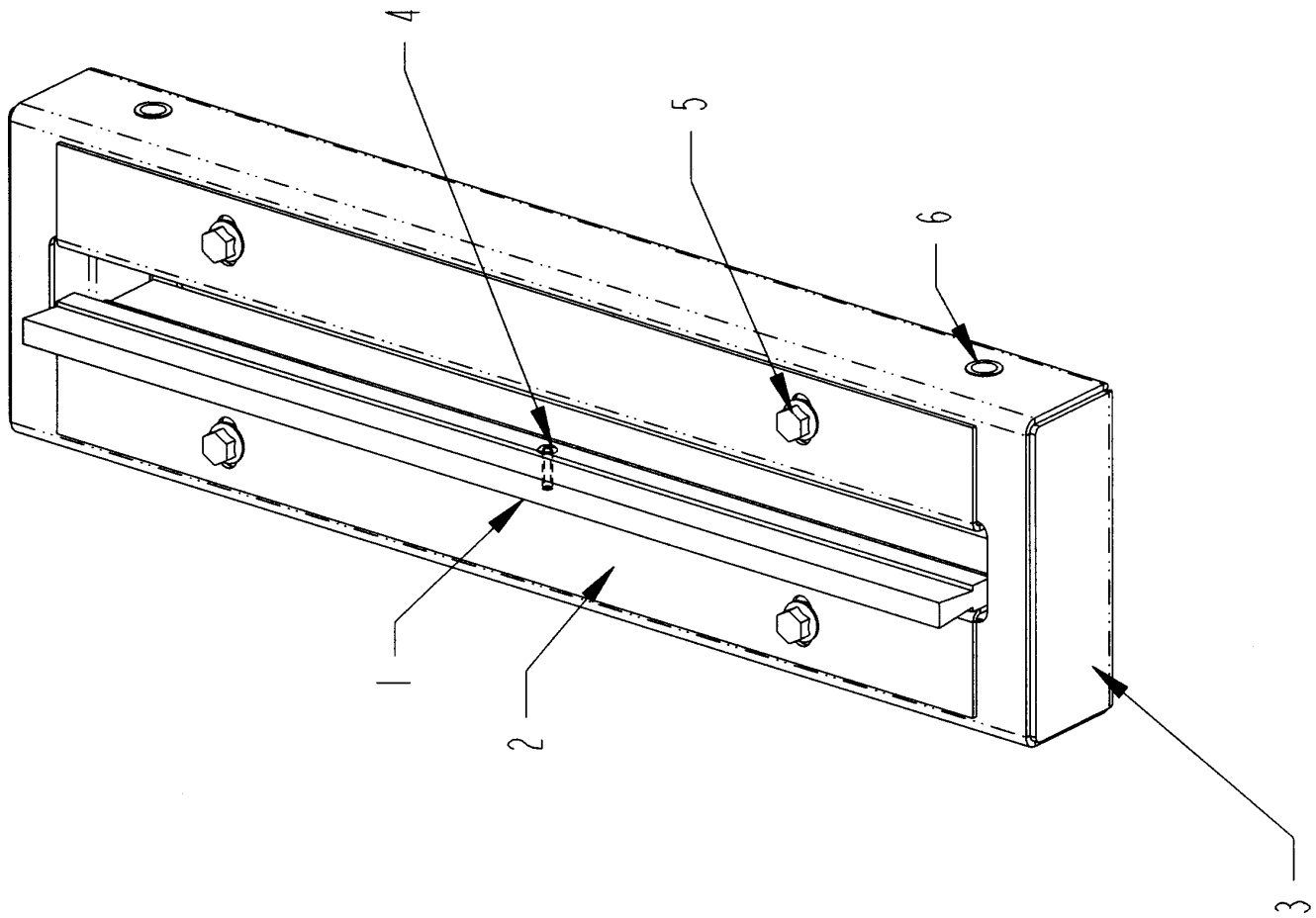
950 HP - RIGHT HAND ENGINE DOOR



950 HP - RIGHT HAND ENGINE DOOR

ITEM	PART	QTY.	PART DESCRIPTION
1	4703577	2	HINGE\FAB\3\BASE
2	4703578	2	HINGE\FAB\3-1/2\OUTER
3	4704046	2	FLANGE\REINFORCE\LATCH
4	4800089	2	BOLT\HEX\3/8X4
5	4800657	6	SCR\RD\PHL\#10-24X5/8
6	4800913	4	BOLT\FLG\SERR\3/8X1\NC
7	4900023	6	NUT\TPLCK\3/8\NC
8	4900072	6	NUT\HEX\#10\NC
9	5000071	6	WASH\LOCK;EXT\STAR\#10
10	7100878	1	DOOR\ACCESS\ENGINE
11	7500907	2	LATCH\COMP\HD\1.18-2.36
12	7500908	2	LATCH\COMP\HD\OFFSET;CAM
	4703579		HINGE\ASSY\FAB\3-1/2 (INCLUDES #1, 2, 4, & 7)
	7100877		ASSY\DOOR\RH\COMP\ENG

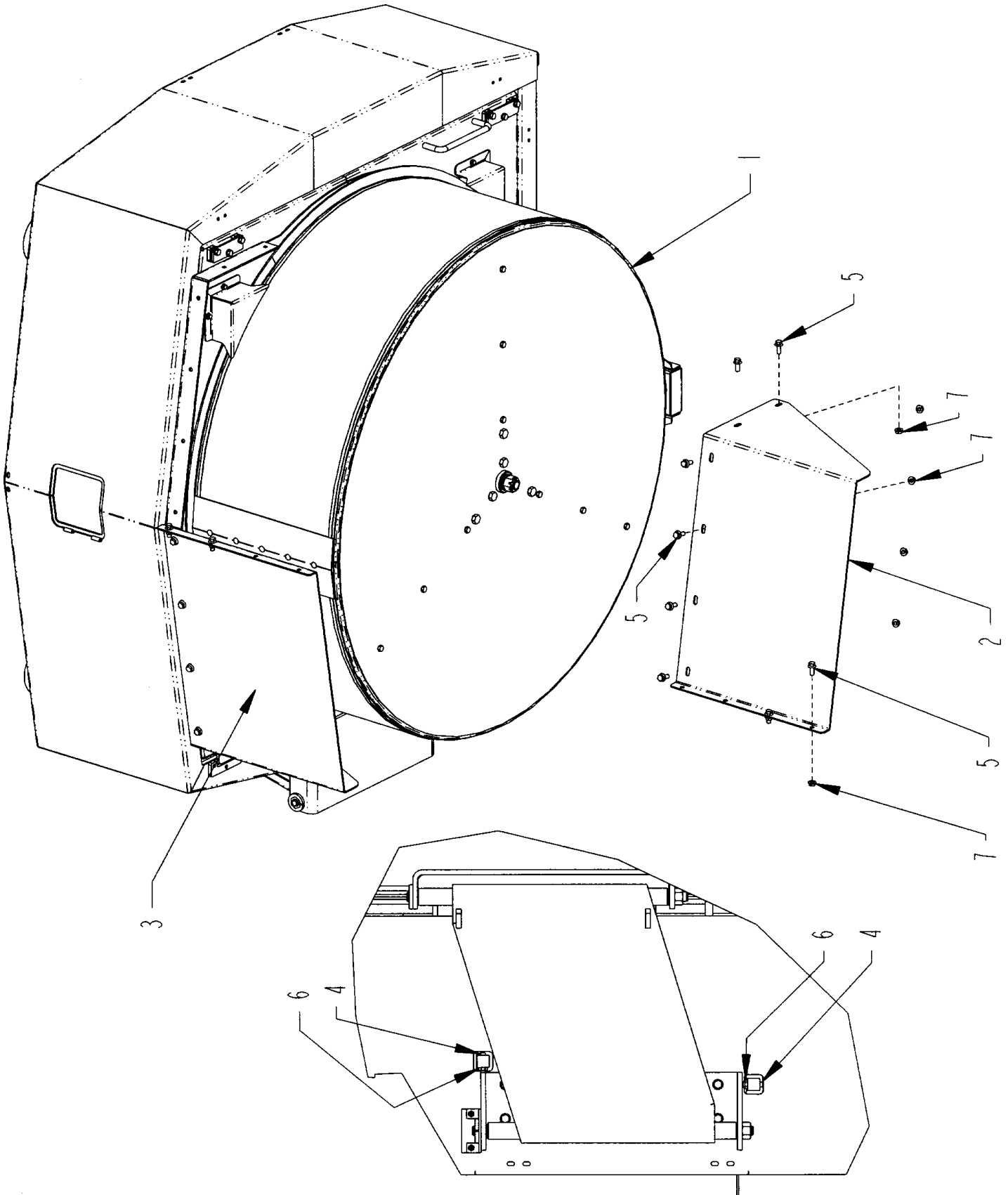
**ENGINE COMPARTMENT ASSEMBLY - ROTOR SCREEN
CLEANER (S.N. UP TO 40-2-FJ-0136)**



**ENGINE COMPARTMENT ASSEMBLY - ROTOR SCREEN
CLEANER (S.N. UP TO 40-2-FJ-0136)**

ITEM	PART	QTY.	PART DESCRIPTION
1	4702596	1	BRUSH\STRIP\1/2X21
2	4703552	2	BRKT\BRUSH\STRIP\SCRN\ROT
3	4703810	1	ENCL\HPPR\SCRN\ROT
4	4800642	5	RIV\POP\STL\3/16X11/16
5	4800913	4	BOLT\FLG\SERR\3/8X1\NC
6	4900082	10	NUT\INSERT\3/8\027X.150GR
	NOT SHOWN		
	3700630		HOSE\AIR\6"ID\

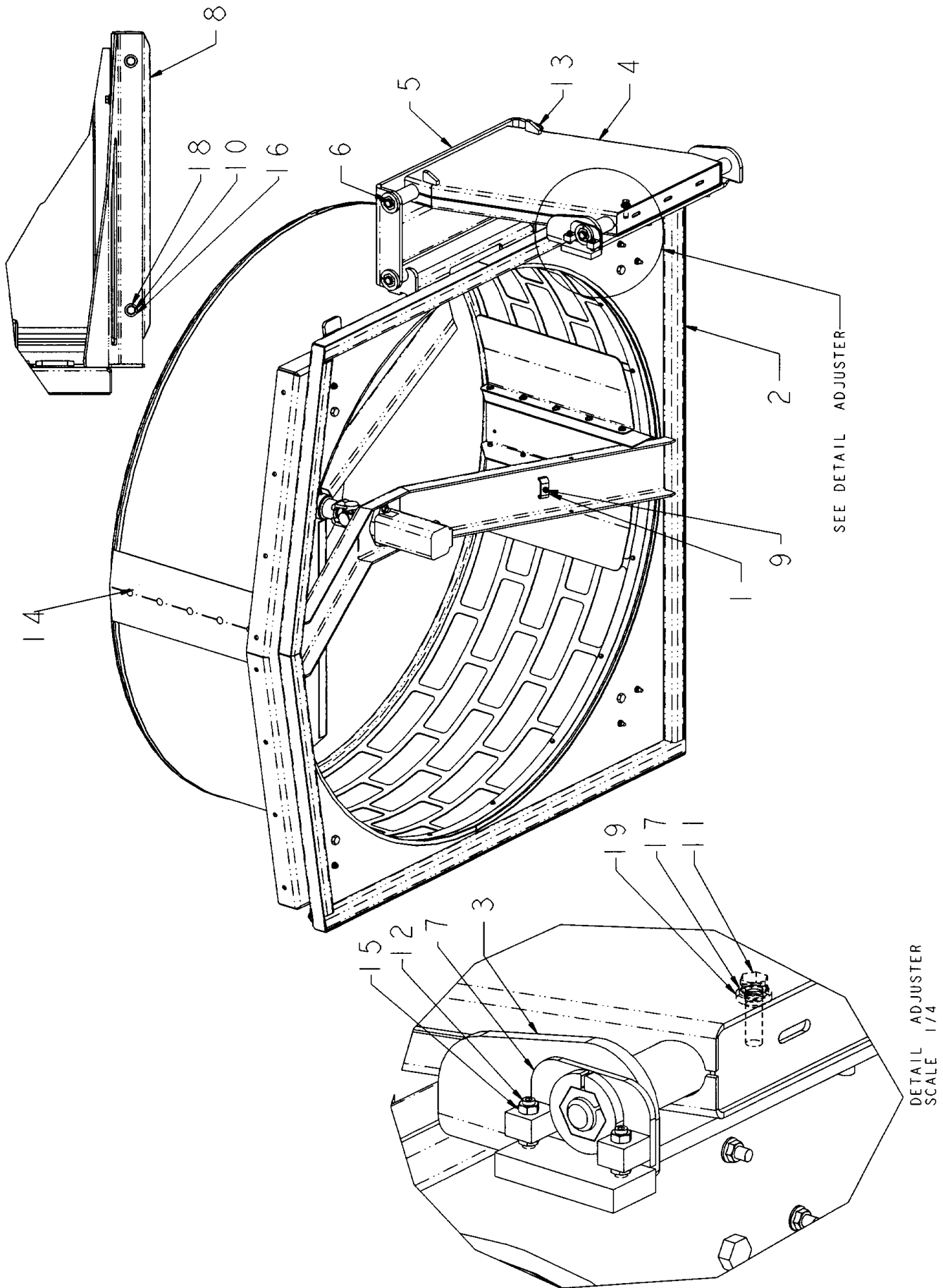
**ROTARY SCREEN ASSEMBLY - FALLING DEBRIS SHIELDS
(S.N. UP TO 40-2-FJ-0136)**



**ROTARY SCREEN ASSEMBLY - FALLING DEBRIS SHIELDS
(S.N. UP TO 40-2-FJ-0136)**

ITEM	PART	QTY.	PART DESCRIPTION
1	4703087	1	FRAME\SCR\ROT\ASSY
2	4703815	1	CVR\SCR\NIROT\LH
3	4703816	1	CVR\SCR\NIROT\RH
4	4800272	2	SCR\SET\AL1/2X2\NC
5	4800928	16	BOLT\FLG\SERR\1/2X1-1/4\NC
6	4900046	2	NUT\JAM\1/2\NC
7	4900100	16	NUT\FLG\TPLCK\1/2\NC

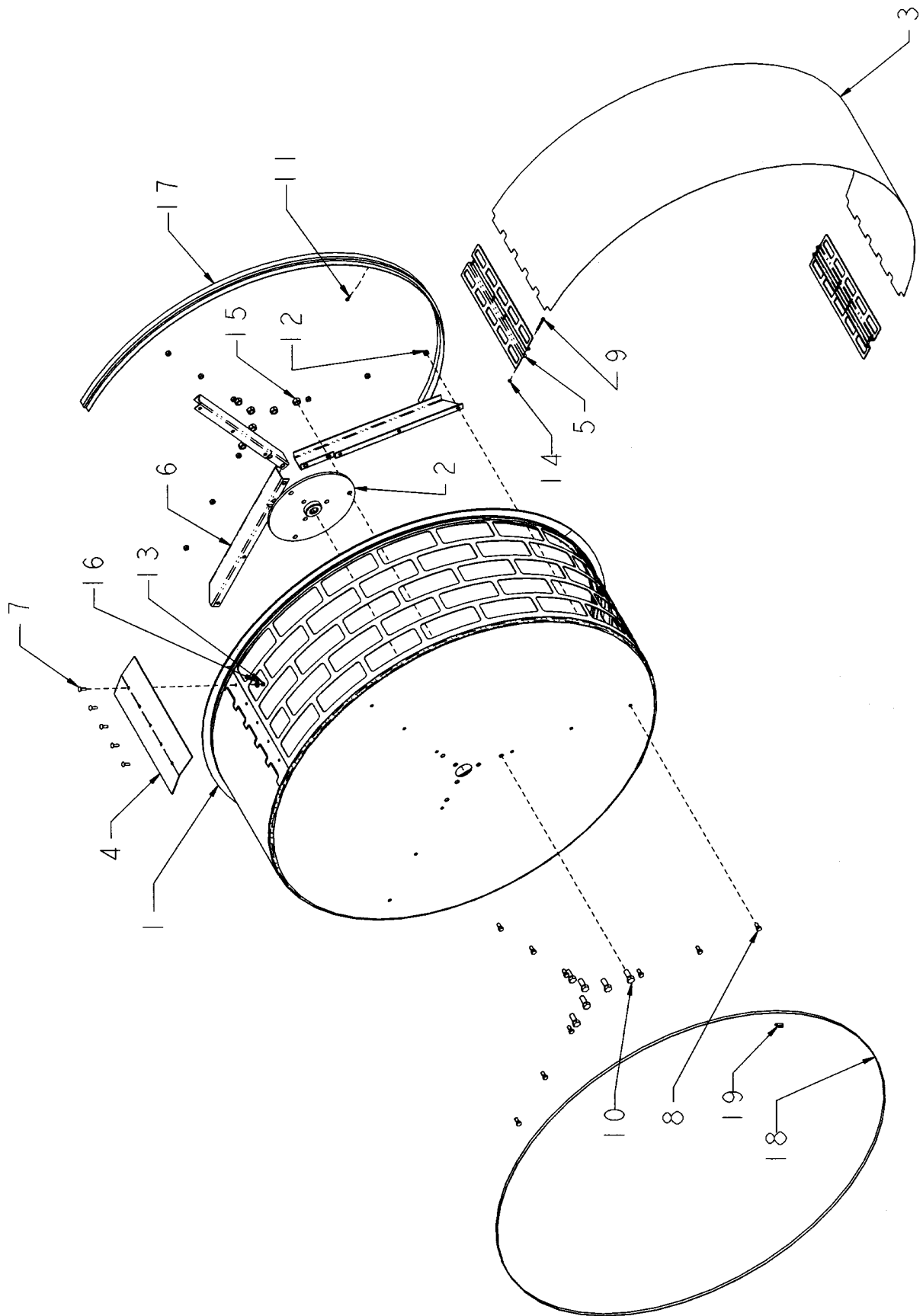
**ROTARY SCREEN ASSEMBLY - MOUNTING ARM
(S.N. UP TO 40-2-FJ-0136)**



**ROTARY SCREEN ASSEMBLY - MOUNTING ARM
(S.N. UP TO 40-2-FJ-0136)**

ITEM	PART	QTY.	PART DESCRIPTION
1	4700776	1	CLMP\HOSE\3/8
2	4703080	1	SCR\ROT\ASSY
3	4703088	1	BRKT\FRAME\SUPT\SCR\ROT
4	4703089	1	FRM\PRIM\SUPT\SCR\ROT
5	4703090	1	FRM\SUPT\SCR\ROT\9-1/2
6	4703092	3	PIN\HINGE\1X29
7	4703096	1	BRKT\ADJ\HINGE\SCR\ROT
8	4703811	1	ENCL\HPPR\ASSY\SCR\ROT
9	4800034	1	BOLT\HEX\3/8X1-1/2
10	4800098	4	BOLT\HEX\3/8X1-1/4\NC
11	4800178	6	BOLT\HEX\1/2X1-3/4
12	4800315	2	SCR\SET\ALN\3/8X2-1/4\NC
13	4900015	3	NUT\NYLCK\1\NC
14	4900023	1	NUT\TPLCK\3/8\NC
15	4900026	4	NUT\JAM\3/8\NC
16	5000001	4	WASH\FLAT\3/8
17	5000006	6	WASH\LOCK\1/2
18	5000019	4	WASH\LOCK\3/8
19	5000113	6	WASH\FLAT\1/2\EXTRTHK\GR8

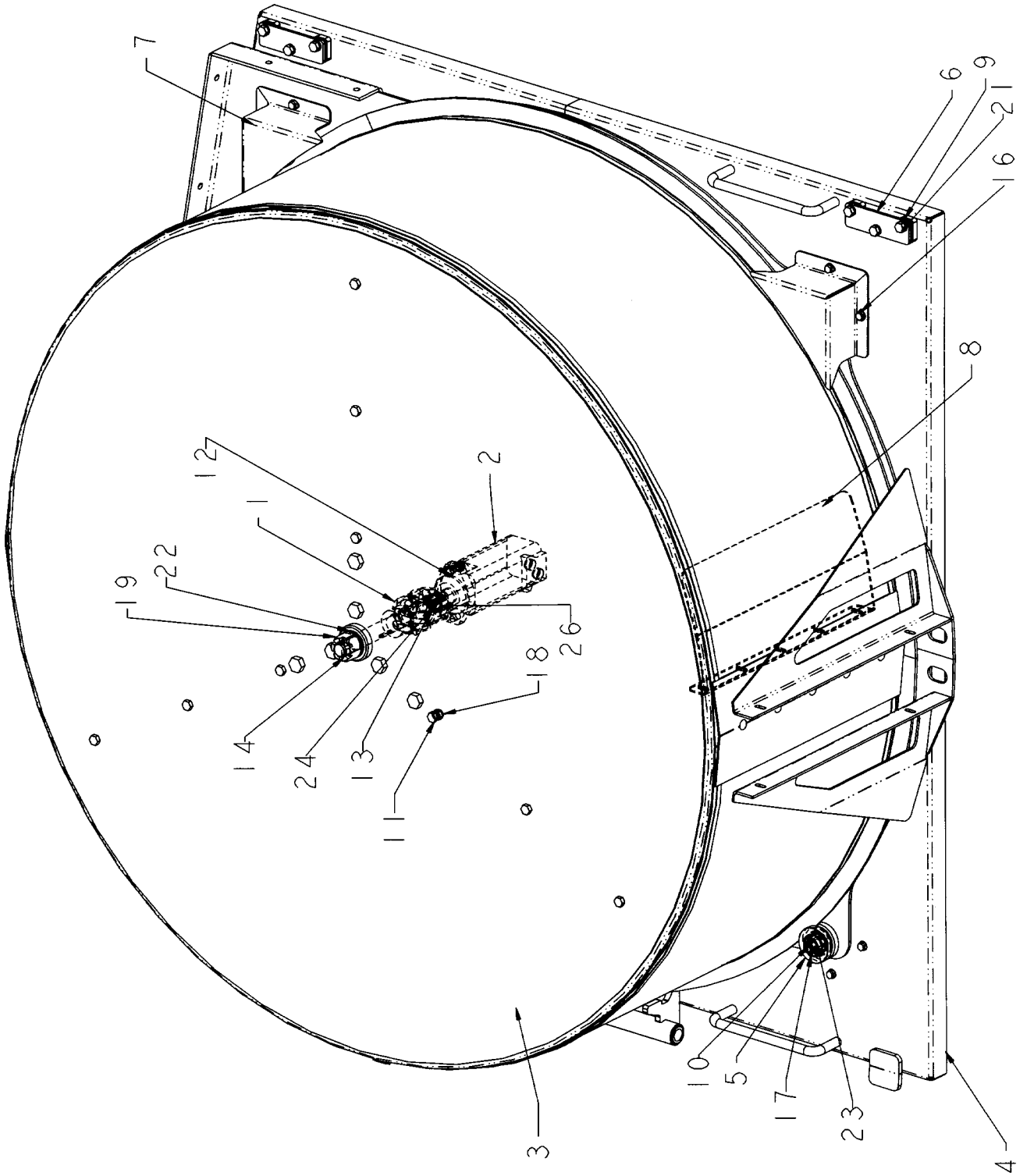
ROTARY SCREEN ASSEMBLY (S.N. UP TO 40-2-FJ-0136)



ROTARY SCREEN ASSEMBLY (S.N. UP TO 40-2-FJ-0136)

ITEM	PART	QTY.	PART DESCRIPTION
1	4703070	1	SCRN\ROT\72X25
2	4703072	1	BRKT\HUB\SCRN\ROT\72X25
3	4703076	2	SCRN\INTAKE\RAD\14MESH
4	4703091	2	BRKT\SCRN\ROT\5X24
5	4703097	4	BRKT\TNSNR\SCRN\ROT
6	4703553	3	GSST\SCRN\ROT
7	4800012	10	BOLT\CRG\3/8X1-1/4\NC
8	4800085	9	BOLT\HEX\1/2X1
9	4800101	8	BOLT\HEX\1/4X2-1/2
10	4800469	6	BOLT\HEX\3/4X1-3/4
11	4800561	18	SCR\SD&T\1/4X1
12	4900014	9	NUT\TPLCK\1/2\NC
13	4900023	10	NUT\TPLCK\3/8\NC
14	4900084	8	NUT\TPLCK\1/4\NC
15	4900139	6	NUT\TPLCK\3/4\GR8\NC
16	5000001	10	WASH\FLAT\3/8
17	7500912	2	BRUSH\STRIP\3/8X114\NYLON
18	7500935	2	CLAMP\HOSE\1/2WBAND\FT
19	7500936	2	CLAMP\HOSE\BUCKLE\1/2\SS

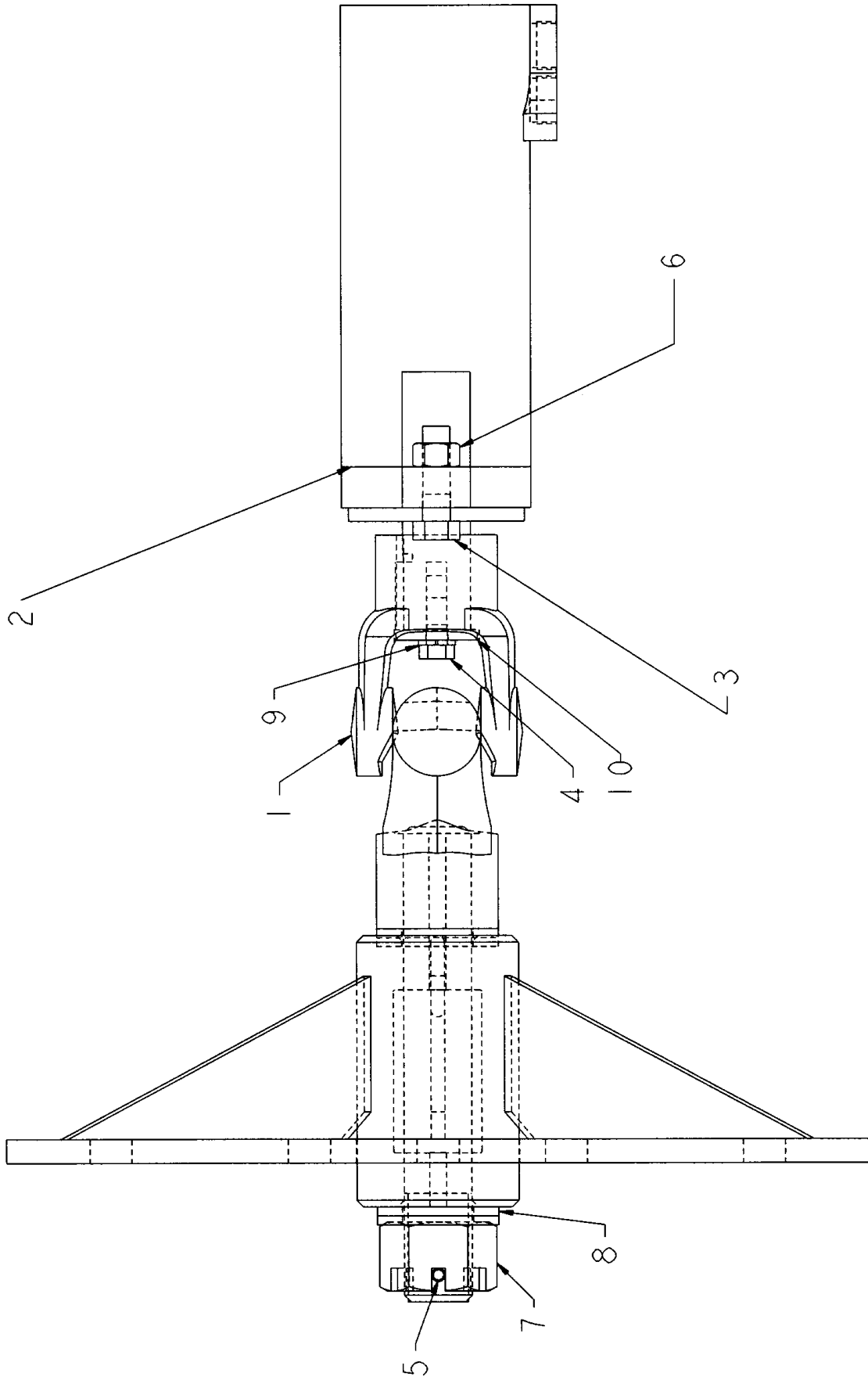
ROTARY SCREEN ASSEMBLY (S.N. UP TO 40-2-FJ-0136)



ROTARY SCREEN ASSEMBLY (S.N. UP TO 40-2-FJ-0136)

ITEM	PART	QTY.	PART DESCRIPTION
1	3600451	1	DRLIN\14
2	3900010	1	MTR\HYD\24\2000\SAE;A
3	4703071	1	SCRN\ROT\ASSY\72X25
4	4703079	1	MNT\DOOR\SCRN\ROT
5	4703804	8	BUSH\GUIDE\SCRN\ROT\ASSY
6	4703805	2	CAP\TAB\LATCH\DOOR\SCRN\ROT
7	4703817	4	GAURD\RLLR\SCRN\ROT
8	4703819	2	SH\BLOCK\AIR\SCRN\ROT
9	4703830	6	MNT\LATCH\DOOR\SHIM
10	4800054	4	BOLT\HEX\5\8X3-1/2
11	4800085	6	BOLT\HEX\1\2X1
12	4800178	2	BOLT\HEX\1\2X1-3/4
13	4800293	1	BOLT\HEX\3\8X7\8\NC
14	4800455	1	PIN\RLLD\1\4X1-1/2
15	4800643	10	BOLT\HEX\5\16X3/4
16	4800913	8	BOLT\FLG\SERR\3\8X1\NC
17	4900012	4	NUT\TPLCK\5\8\NC
18	4900014	2	NUT\TPLCK\1\2\NC
19	4900036	1	NUT\SLOT\1-1\4\NC
20	4900142	10	NUT\TPLCK\5\16\NC
21	5000006	6	WASH\LOCK\1\2
22	5000007	4	WASH\1-1\4\MACH\BUSH
23	5000009	16	WASH\1" OD\ SHIM
24	5000019	1	WASH\LOCK\3\8
25	5000023	10	WASH\FLAT\5\16
26	5000096	1	WASH\FLAT\SPCL\13\32X7GAX1-1\2OD

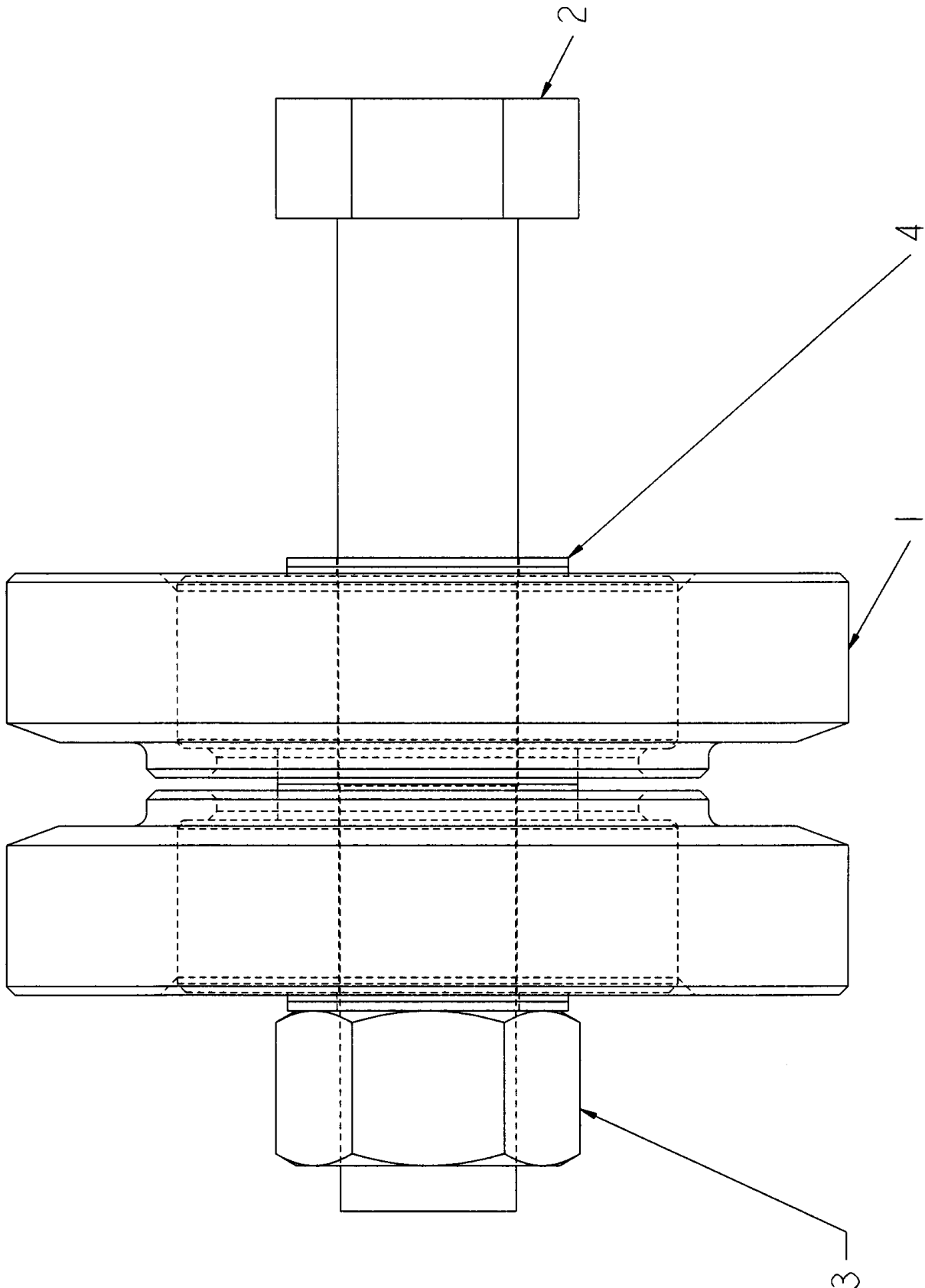
ROTARY SCREEN ASSEMBLY - DRIVE MOTOR
(S.N. UP TO 40-2-FJ-0136)



**ROTARY SCREEN ASSEMBLY - DRIVE MOTOR
(S.N. UP TO 40-2-FJ-0136)**

ITEM	PART	QTY.	PART DESCRIPTION
1	3600451	1	DRLIN\14
2	3900010	1	MTR\HYD\24\2000\SAE;A
3	4800178	2	BOLT\HEX\1/2X1-3/4
4	4800293	1	BOLT\HEX\3/8X7/8\NC
5	4800455	1	PIN\RLLD\1/4X1-1/2
6	4900014	2	NUT\TPLCK\1/2\NC
7	4900036	1	NUT\SLOT\1-1/4\NC
8	5000007	4	WASH\1-1/4\MACH\BUSH
9	5000019	1	WASH\LOCK\3/8
10	5000096	1	WASH\FLAT\SPCL\13/32X7GAX1-1/2OD

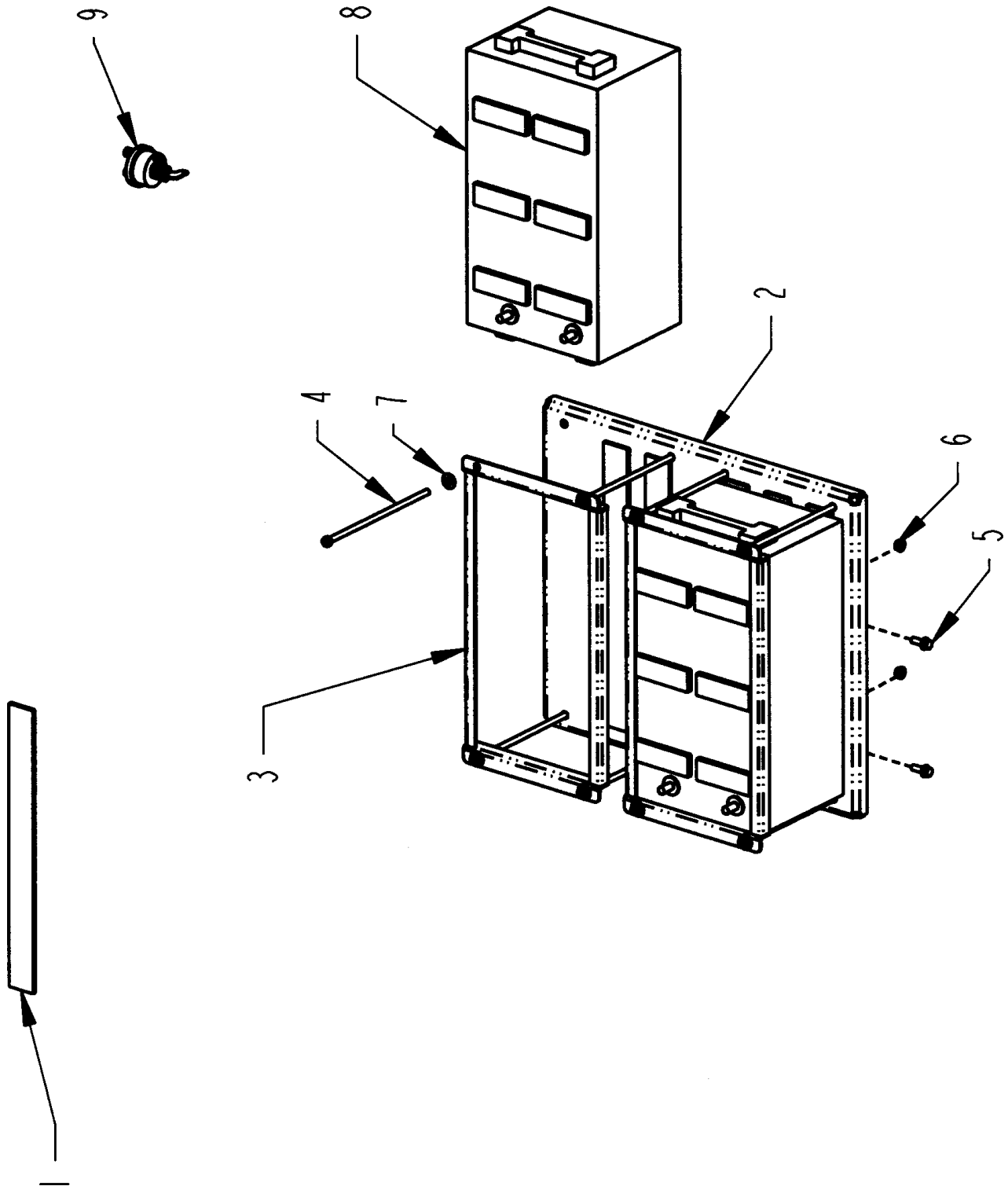
**ROTARY SCREEN ASSEMBLY - GUIDE BEARINGS
(S.N. UP TO 40-2-FJ-0136)**



**ROTARY SCREEN ASSEMBLY - GUIDE BEARINGS
(S.N. UP TO 40-2-FJ-0136)**

ITEM	PART	QTY.	PART DESCRIPTION
1	4703804	2	BUSH\GUIDE\SCRN\ROTA\SSY
2	4800054	1	BOLT\HEX\5/8X3-1/2
3	4900012	1	NUT\PLCK\5/8\NC
4	5000009	10	WASH\1" OD\ SHIM

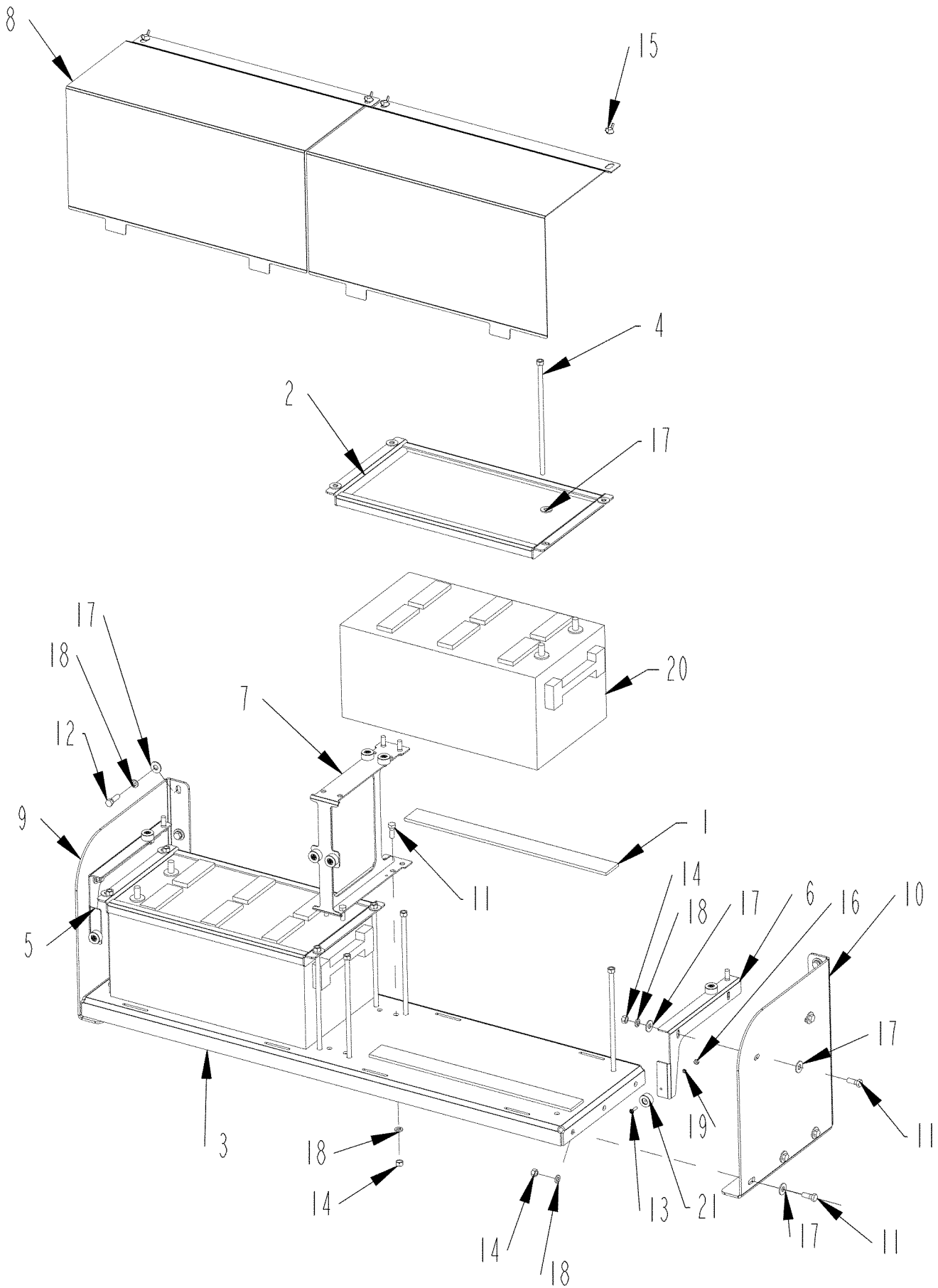
BATTERY BOX ASSEMBLY



BATTERY BOX ASSEMBLY

ITEM	PART	QTY.	PART DESCRIPTION
1	4501399	6	BELT\CUSHION\BATTERY
2	4703139	1	BRKT\BATTERY
3	4703145	2	HOLDDOWN\BATT
4	4703198	8	HLDN\BRCKT\BTTRY
5	4800913	4	BOLT\FLG\SERR\3/8X1\NC
6	4900109	4	NUT\FLG\TPLCK\3/8\NC
7	5000001	8	WASH\FLAT\3/8
8	5700002	2	BATT\12VDC
9	5700016	1	SWITCH\DISC\BATT\KEYED

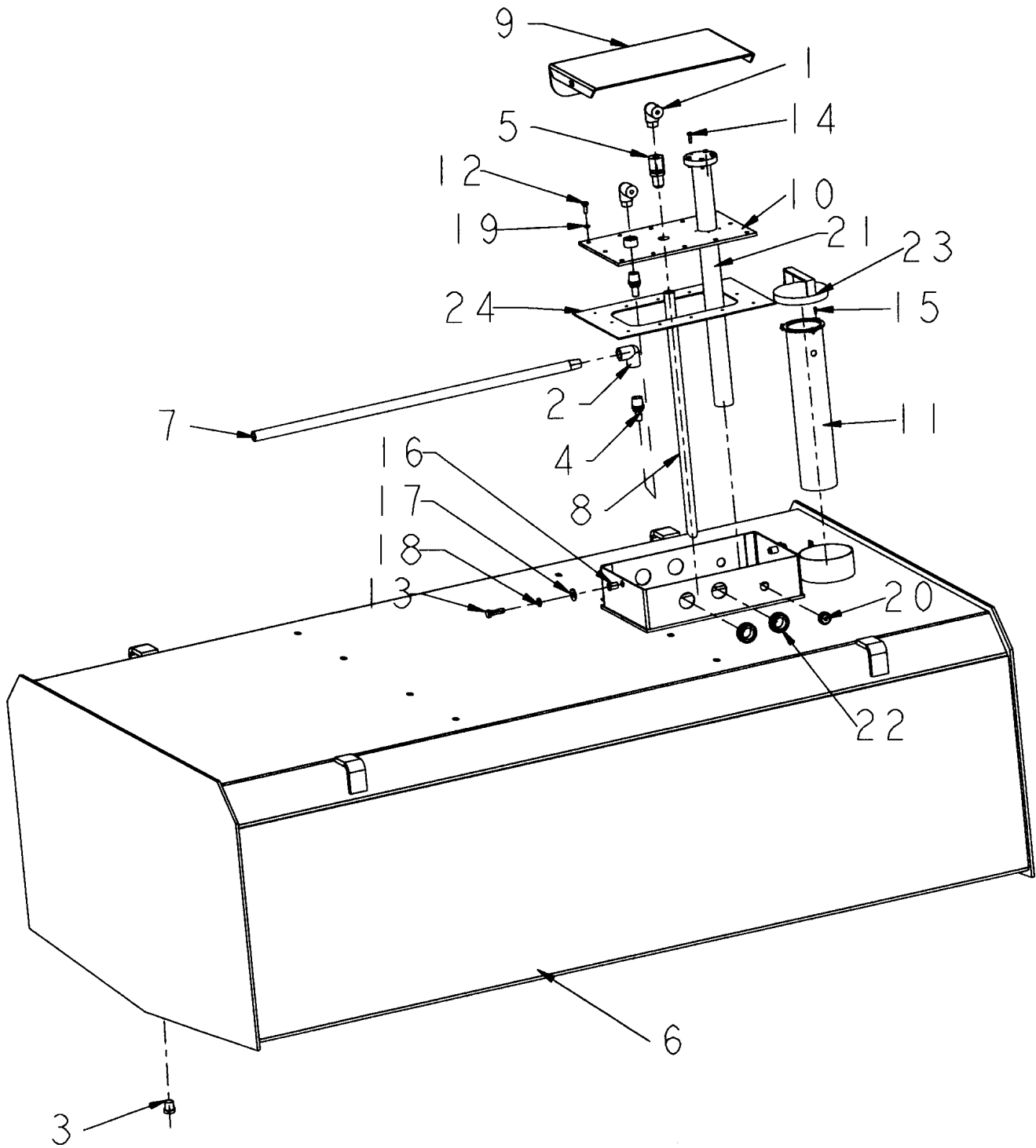
950 HP BATTERY BOX ASSEMBLY



950 HP BATTERY BOX ASSEMBLY

ITEM	PART	QTY.	PART DESCRIPTION
1	4501399	4	BELT\CUSHION\BATTERY
2	4501551	2	BRKT\BATT
3	4501552	1	BRKT\BOX\BATTERY\BOTTOM
4	4703198	8	HLDN\BRCKT\BTTRY
5	4703946	1	BRKT\COVER\BOX\BTTRY
6	4703947	1	BRKT\COVER\BTTRY
7	4703948	1	BRKT\COVER\BOX\BATTERY
8	4703949	2	COVER\BTTRY
9	4704601	1	BRKT\BOX\BATTERY
10	4704602	1	BRKT\BOX\BATTERY
11	4800003	18	BOLT\HEX\3/8X1
12	4800098	6	BOLT\HEX\3/8X1-1/4\NC
13	4800497	8	SCR\PAN\PHL\#10X3/4\NC
14	4900002	22	NUT\HEX\3/8\NC
15	4900032	4	NUT\WING\3/8\NC
16	4900072	8	NUT\HEX\#10\NC
17	5000001	28	WASH\FLAT\3/8
18	5000019	20	WASH\LOCK\3/8
19	5000071	8	WASH\LOCK;EXT\STAR\#10
20	5700002	2	BATT\12VDC
21	7500756	8	BMPR\RBBR\1-1/32X5/8
	4704938		BOX\BATTERY\ASSY

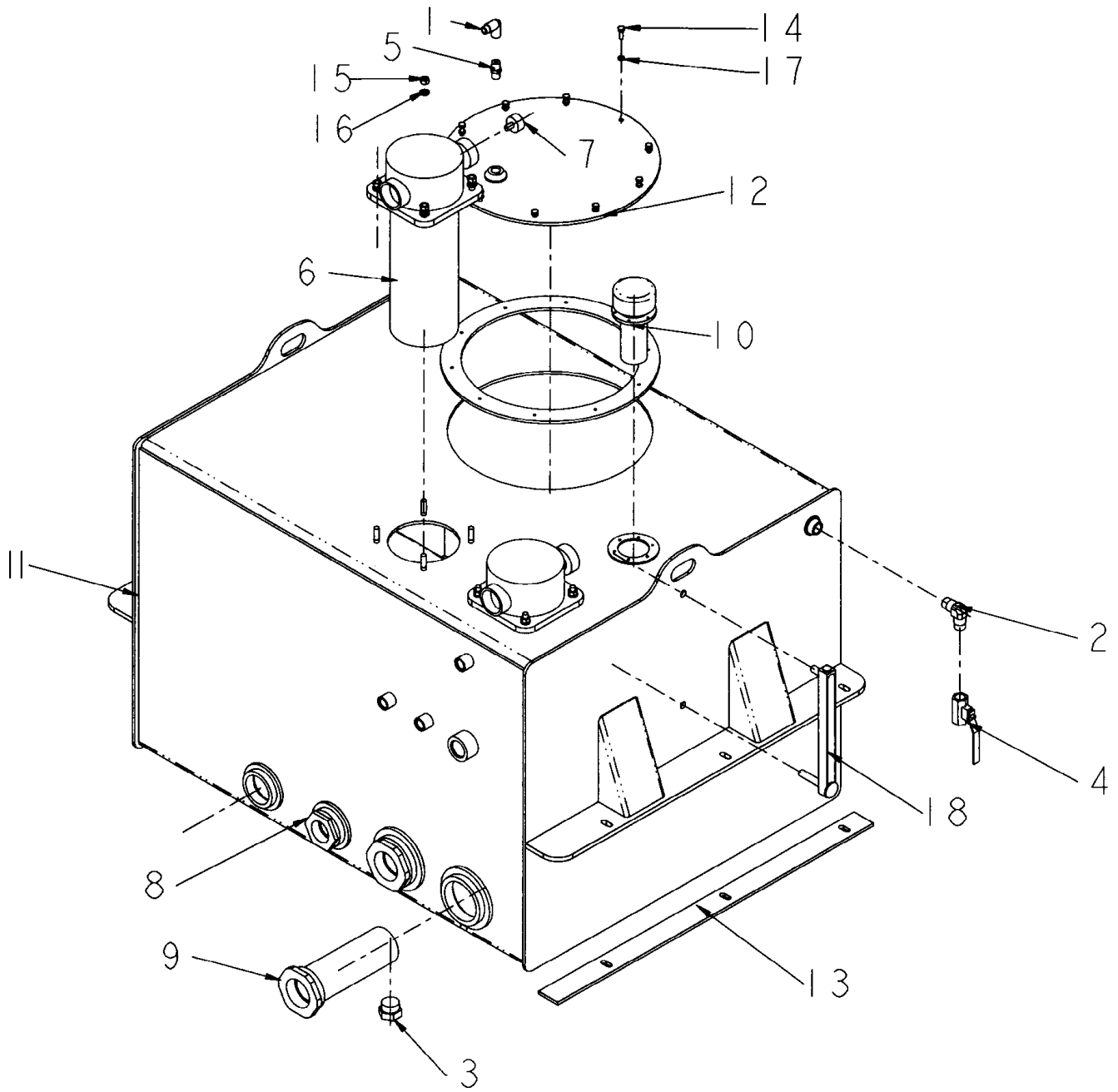
FUEL TANK ASSEMBLY



FUEL TANK ASSEMBLY

ITEM	PART	QTY.	PART DESCRIPTION
1	3800008	2	FTG\1/2MPX1/2FP\90\ST;EL
2	3800165	1	FTG\1/2FPX1/2FP\90
3	3800619	1	FTG\AIR\1/2MP\PLUG\BRS\HEX
4	3800691	2	FTG\AIR\1/2MPX1/2PSHLCK\BRASS
5	3800706	1	FTG\7/8MJICX1/2FP\BULKHEAD
6	4703055	1	TANK\FUEL\72-1/2X44-1/2X24-1/2
7	4703103	1	PIPE\RETURN\TANK\FUEL\HD12
8	4703104	1	TUBE\SUCTION\TANK\FUEL\HD12
9	4703105	1	CVR\GAUGE\TANK\FUEL
10	4703107	1	CVR\TANK\FUEL\HD12
11	4703108	1	TUBE\FILL\INNER\FUEL
12	4800024	12	BOLT\HEX\1/4X3/4
13	4800098	2	BOLT\HEX\3/8X1-1/4\NC
14	4800380	5	SCR\RD\SLOT\#10-32X3/4
15	4800620	3	SCR\CAP\ALN\6-32X3/8\BLK
16	4900082	2	NUT\INSERT\3/8\027X.150GR
17	5000001	2	WASH\FLAT\3/8
18	5000019	2	WASH\LOCK\3/8
19	5000024	12	WASH\LOCK\1/4
20	7500124	1	GRMT\RBBR\1X9/32IDX3/16T
21	7500682	1	GAUGE\FUEL\SENDING\HD12
22	7500743	2	GRMT\RBBR\1-3/8X1IDX1/4T
23	7500811	1	CAP\FUEL\LOW_PRESS_RELIEF
24	7501175	1	SEAL\TANK\FUEL\3/32
NOT SHOWN			
	7501511	1	SEAL\SENDER\FUEL

HYDRAULIC OIL TANK ASSEMBLY



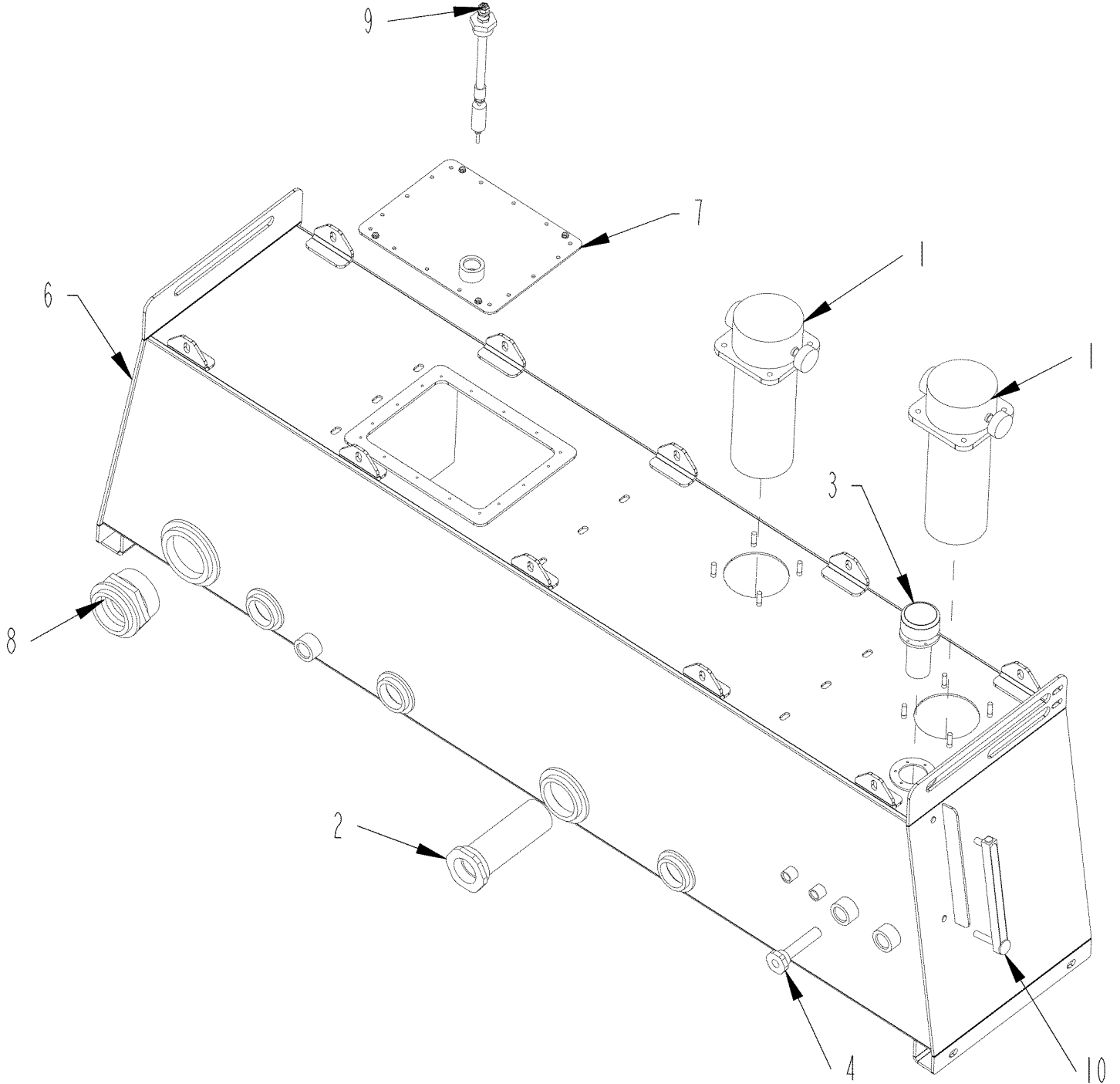
HYDRAULIC OIL TANK ASSEMBLY

ITEM	PART	QTY.	PART DESCRIPTION
1	3800031	1	FTG\3/8MPX3/8FP\90\ST;EL
2	3800085	1	FTG\1/2MP\90D\M;ELL
3	3800301	1	FTG\1-5/16MOR\PLUG\HEX
4	4000193	1	VALVE\BALL\1/2\LW\BRS
5	4000286	1	VALVE\CHECK\3/8MPX3/8MP
6	4400043	2	FILTER\HYDRAULIC\RETURN\IN-TANK ELEMENT 4400074
7	4400066	2	GAUGE\FLTR\25PSI\1/8NPT
8	4400067	1	FLTR\SCRN\2-1/2MORX1-7/8FOR\30GPM\ST30-100-RV3
9	4400068	2	FLTR\SCRN\3-3/8MORX2-1/2FOR\50GPM\100MESH
10	4400071	1	VENT\W\LOCK\CAP\HYD
11	4703332	1	TANK\HYD\4012
12	4703396	1	CAP\CLEAN-OUT\TANK\HYD
13	4704122	2	MNT\RUBBER\TANK\HYD
14	4800024	10	BOLT\HEX\1/4X3/4
15	4900002	8	NUT\HEX\3/8\NC
16	5000019	8	WASH\LOCK\3/8
17	5000024	10	WASH\LOCK\1/4
18	7500615	1	GAUGE\LEVEL\10\W/THERMOMETER

NOT SHOWN

3800514	FTG\1/4MPX1/8FP\ADPT
4400074	FILTER\ELMNT\10MICRON for 4400043

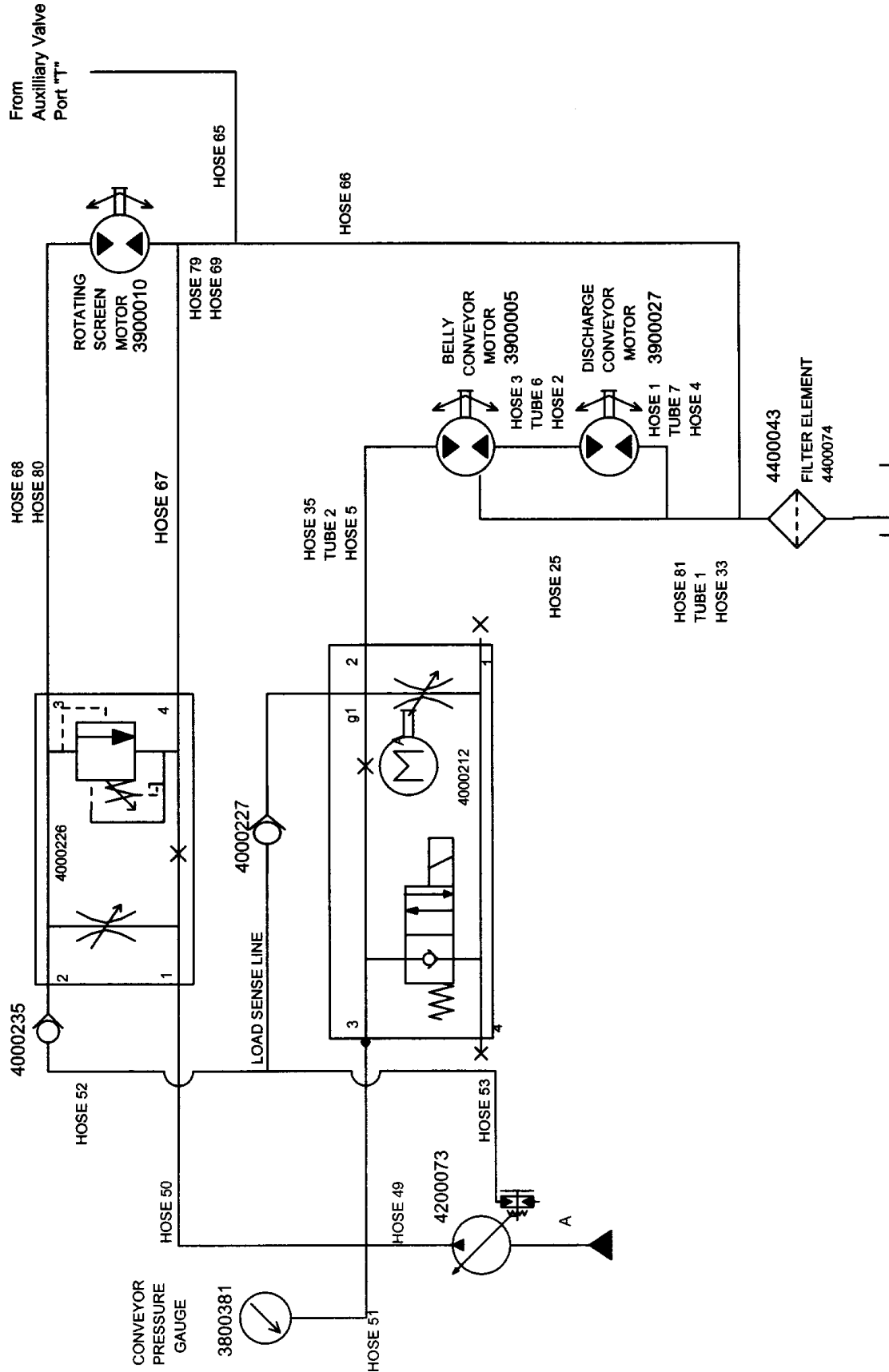
950 HP - HYDRAULIC OIL TANK ASSEMBLY



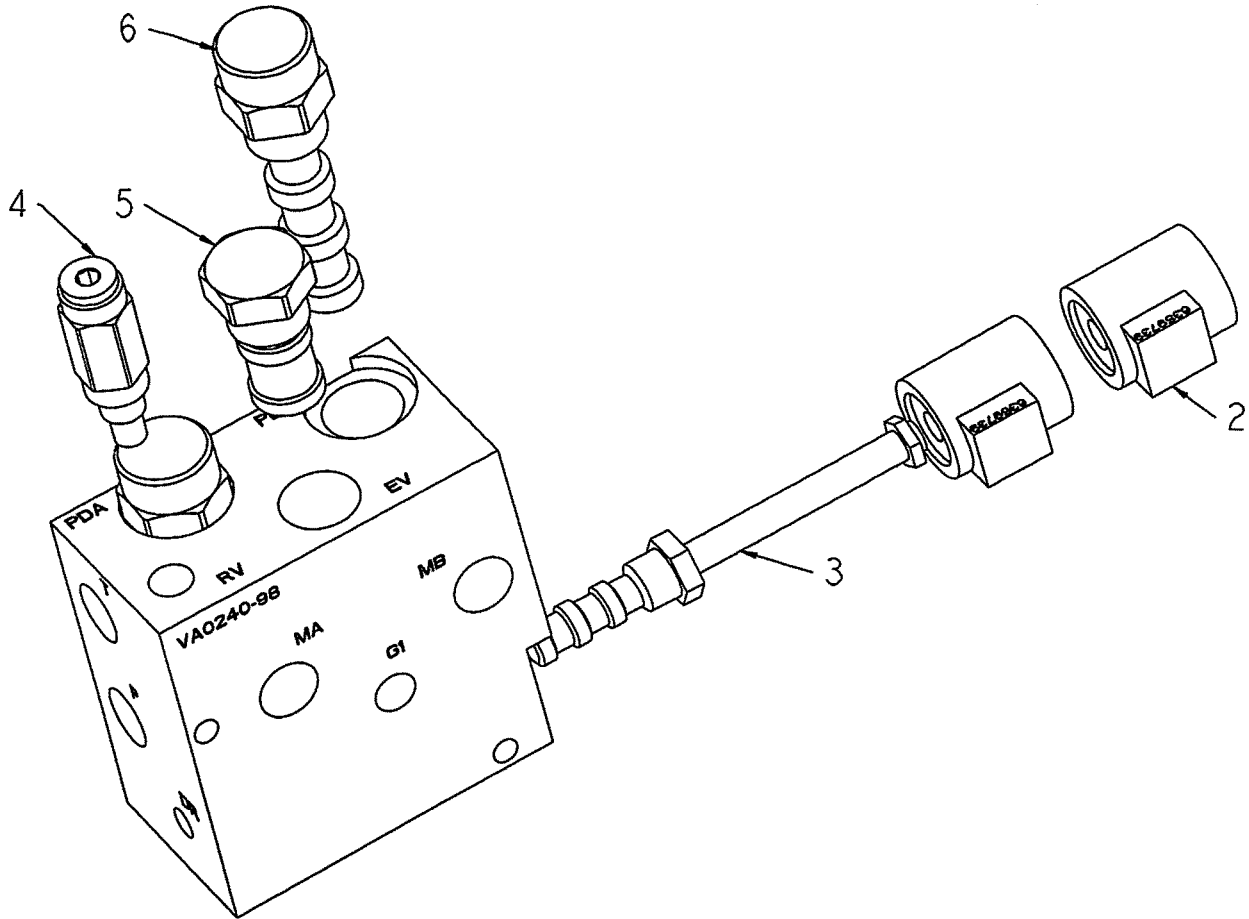
950 HP - HYDRAULIC OIL TANK ASSEMBLY

ITEM	PART	QTY.	PART DESCRIPTION
1	4400043	2	FILTER\HYDRAULIC\RETURN\IN-TANK ELEMENT 4400074
2	4400068	1	FLTR\SCRN\3-3/8MORX2-1/2FOR\50GPM\100MESH
3	4400071	1	VENTW\LOCK\CAP\HYD
4	4400109	1	FLTR\SCRN\1-5/16MORX3/4FOR
5	4704942	1	TANK\ASSY\HYD\4012
6	7100866	1	TANK\OIL\C27\32
7	7100868	1	COVER\CLEANOUT\TANK\OIL
8	7100931	1	ASSY\NUT\FTG\TANK\OIL
9	7101135	1	PSTNR\NSR\TMP\LVL
10	7500615	1	GAUGE\LEVEL\10W\THERMOMETER
	4704942	1	TANK\ASSY\HYD\4012
	REPLACEMENT ELEMENT FOR 4400043		
	4400074		FLTR\ELMT\10MIC\INTANK

CONVEYOR HYDRAULIC CIRCUIT

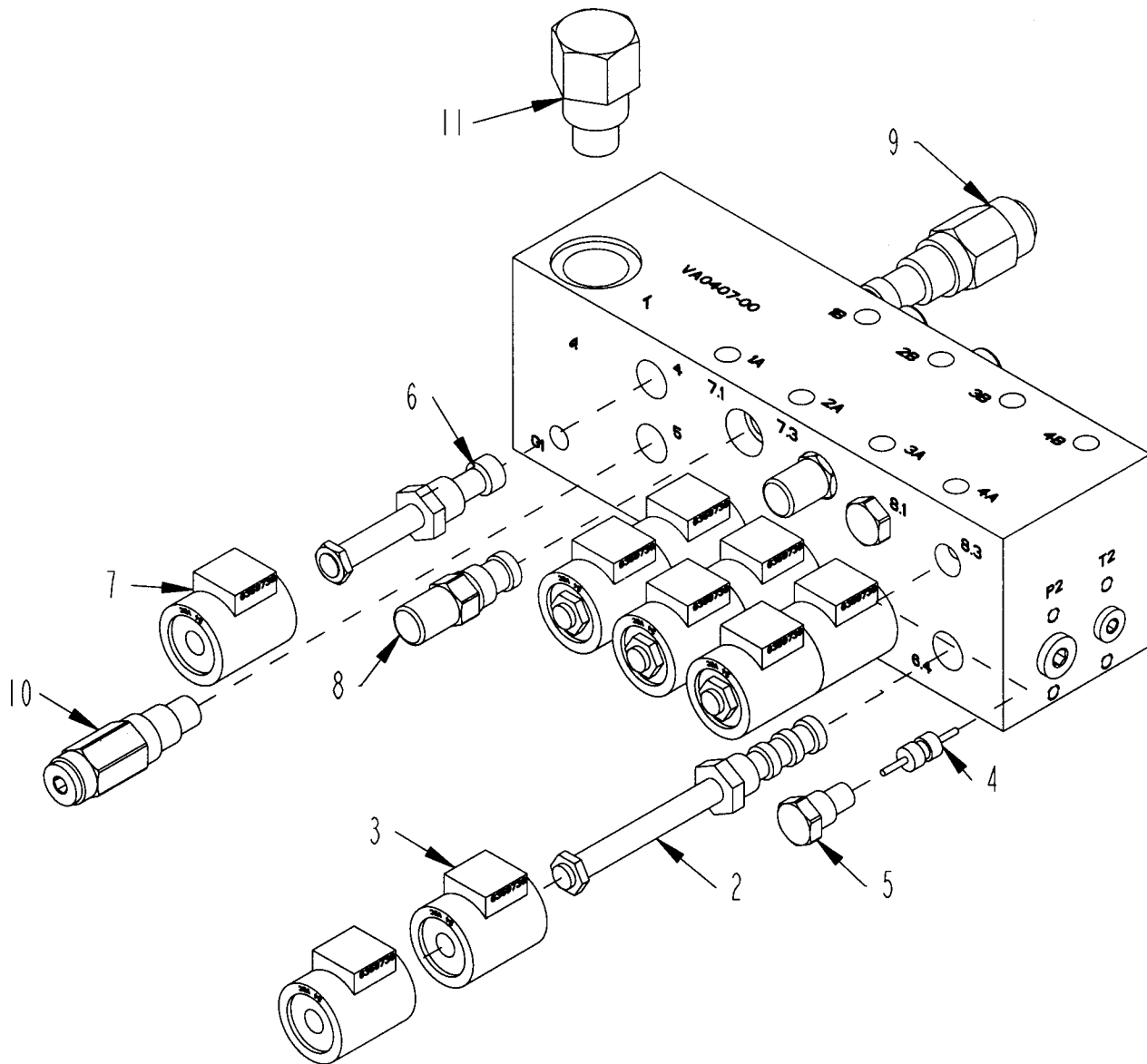


HYDRAULIC PARTS - TUB VALVE 4000207



ITEM	PART	QTY.	PART DESCRIPTION
	4000207	1	VL\HYD\TUB\BLK\MFLD
2	4000229	2	VALVE\HYD\SOL\24V\635W/D\WPEND
3	4000296	1	VALVE\HYD\CART\3POS,4WAY
4	4000320	1	VALVE\RELIEF\2000psi
5	4000445	1	VALVE\CART\VENTED PRESS BLOCK
6	4000456	2	VALVE\HYD\CART\3WAY\PILOTED

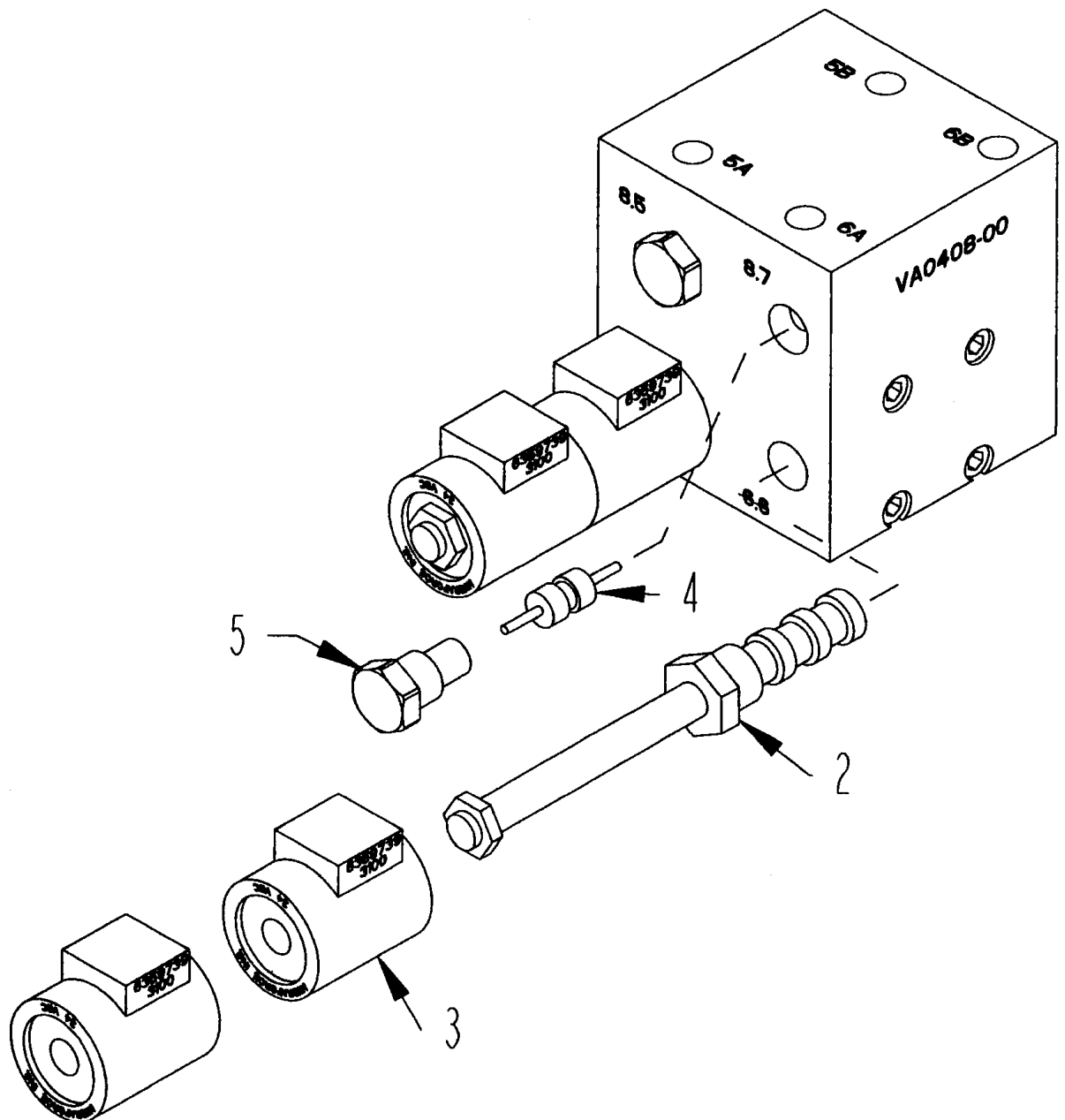
HYDRAULIC PARTS - AUXILIARY VALVE 4000210



ITEM	PART	QTY.	PART DESCRIPTION
	4000210	1	VLV\HYD\AUX\BLKMFLD
2	4000228	4	VALVE\HYD\CART\3POS,4WAY
3	4000229	8	VALVE\HYD\SOL\24V\635W/DIWPEND
4	4000230	2	VALVE\HYD\PILOTPISTON
5	4000231	4	VALVE\CHECK\CART\
6	4000233	1	VALVE\HYD\CART\2POS,3WAY
7	4000305	1	VALVE\HYD\SOL\20V\635W/DIWPEND
8	4000313	4	VALVE\CART\CNTRBLNC\3:1
9	4000405	1	VLV\HYD\RELIEF\CART\2800
	4000433		VALVE\SEAL\KIT\SZ12\CART for 4000405
10	4000406	1	VLV\HYD\RELIEF\CART\2250
	4000298		VALVE\SEAL\KIT\SZ10\CART for 4000406
11	4000435	1	VALVE\CART\DIVIDER\5GPM
	4000436		VALVE\SEAL\KIT\SZ16\CART for 4000435

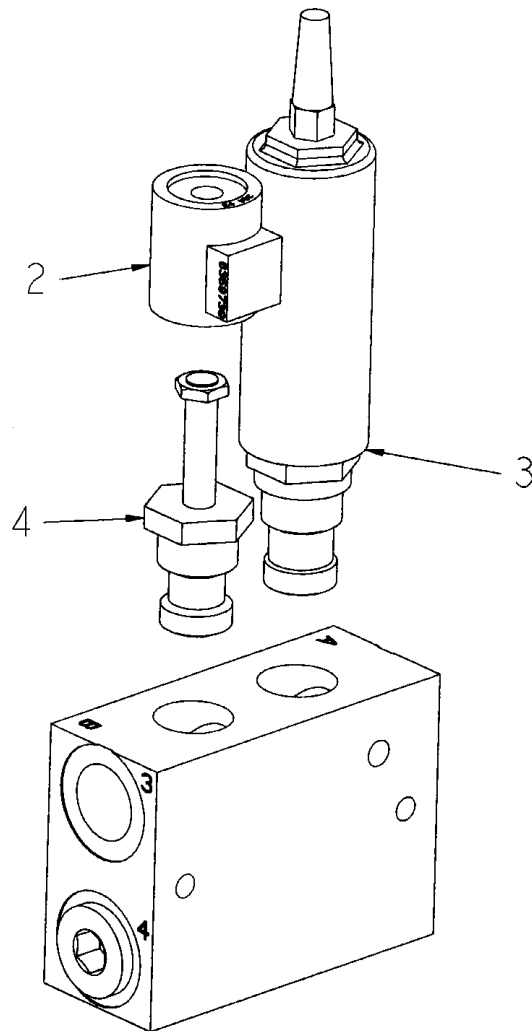
HYDRAULIC PARTS - MANIFOLD BLOCK VALVE 400211

ITEM	PART	QTY.	DESCRIPTION
	4000211	1	VLV\HYD\AUX\BLKMFLD\TOC
2	4000228	2	VALVE\HYD\CART\3POS,4WAY
3	4000229	4	VALVE\HYD\SOL\24V\635W/D\WPEND
4	4000230	2	VALVE\HYD\PILOT\PISTON
5	4000231	4	VALVE\CHECK\CART\5

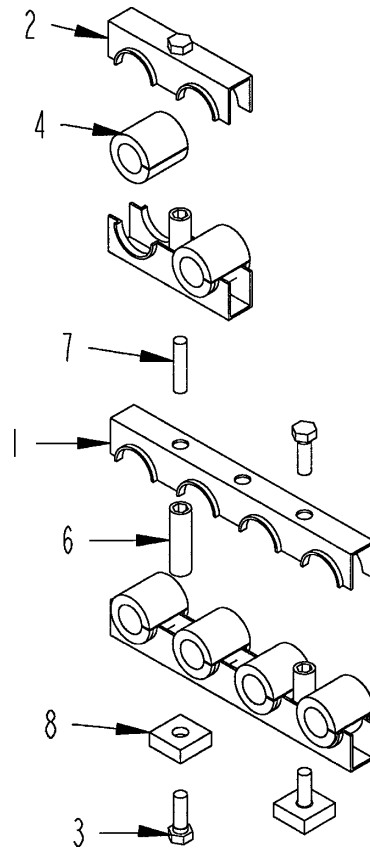


HYDRAULIC CONVEYOR VALVE (4000212)

ITEM	PART	QTY.	DESCRIPTION
1	4000212	1	VLV\HYD\CNVYR\BLK\MFLD
2	4000229	1	VALVE\HYD\SOL\24V\635\W/DIWPEND
3	4000323	1	VLV\CNTRL\FLOW\MOTORIZED
4	4000324	1	POPPET2-WAY\NORMAL\OPEN

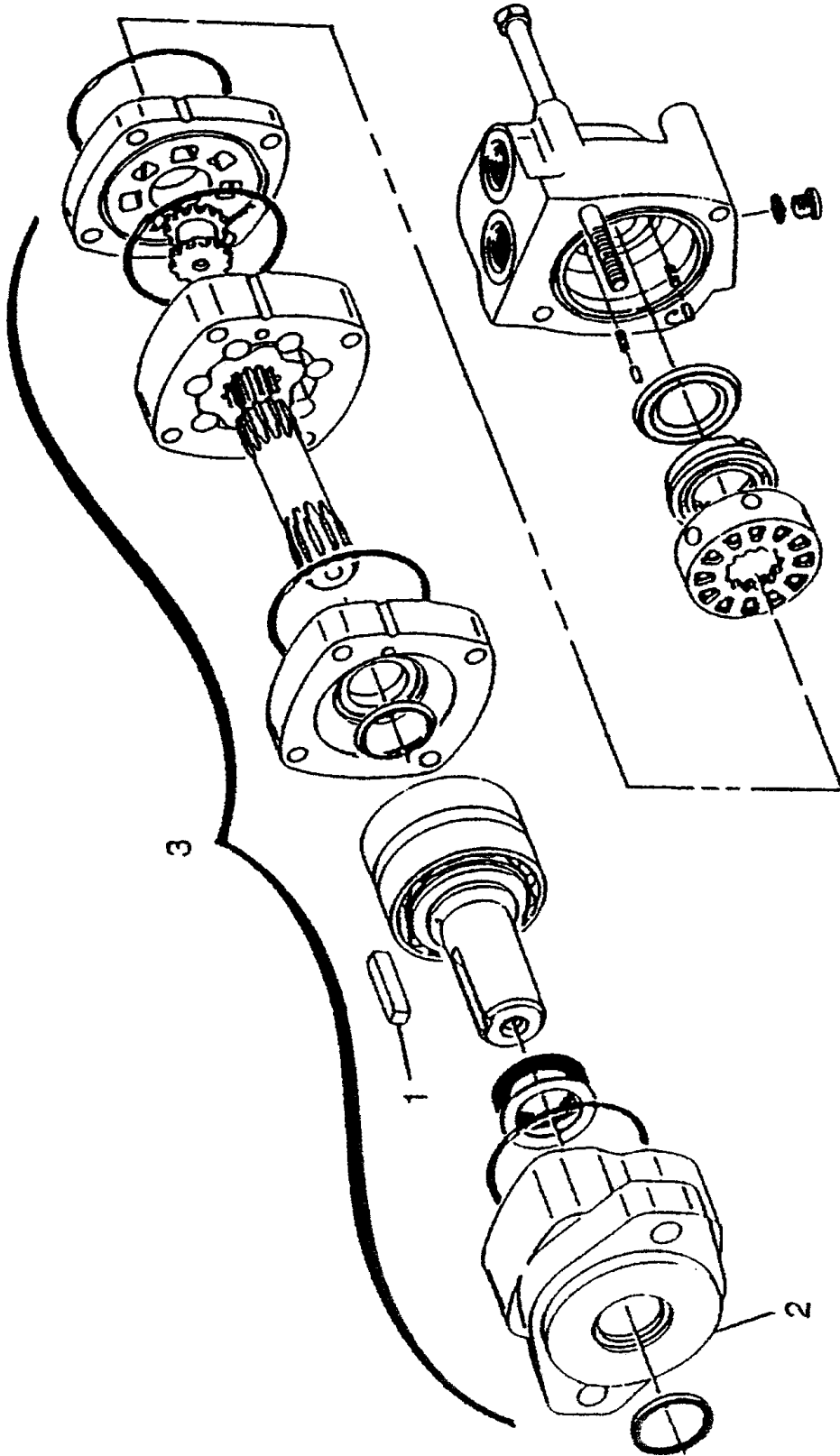


HYDRAULIC PARTS - TUBE CLAMP ASSEMBLIES



ITEM	PART	QTY.	DESCRIPTION
1-1/4 TUBE CLAMP			
1	3800551	2	CLAMP\HOSE\1-1/4\4HOLES
2	3800552	2	CLAMP\HOSE\1-1/4\2HOLES
3	4800013	4	BOLT\HEX\5/16X1
4	3800649		BUSH\RBBR\1TUBE\1-1/4\ODX1ID\X1-1/4L 30mmODX25mmID
4	3800650		BUSH\RBBR\3/4TUBE\1-1/4\ODX3/4ID\X1-1/4L 30mmODX19mmID
4	3800651		BUSH\RBBR\5/8TUBE\1-1/4\ODX5/8ID\X1-1/4L 30mmODX16mmID
4	3800652		BUSH\RBBR\1/2TUBE\1-1/4\ODX1/2ID\X1-1/4L 30mmODX13mmID
6	4800603	3	NUT\STACK\5/16X1-3/4\NC
7	4800604	1	BOLT\STUD\5/16X1-3/8\NC
8	3800654	2	HLDR\5/16BOLT\WELDON
2-1/4 TUBE CLAMP			
2	3800646	2	CLAMP\TUBE\2-1/4\2;HOLES
3	4800003	4	BOLT\HEX\3/8X1
3	4800098	4	BOLT\HEX\3/8X1-1/4
4	3800647		BUSH\RBBR\1-3/4TUBE\2-1/4\ODX1-3/4ID 57mmODX44mmID
4	3800648		BUSH\RBBR\1TUBE\2-1/4\ODX1ID 57mmODX25mmID
6	4900153	3	NUT\STACK\3/8X2-3/4\NC
7	4800614	1	BOLT\STUD\3/8X2\NC
8	3800653	2	HLDR\3/8BOLT\WELDON

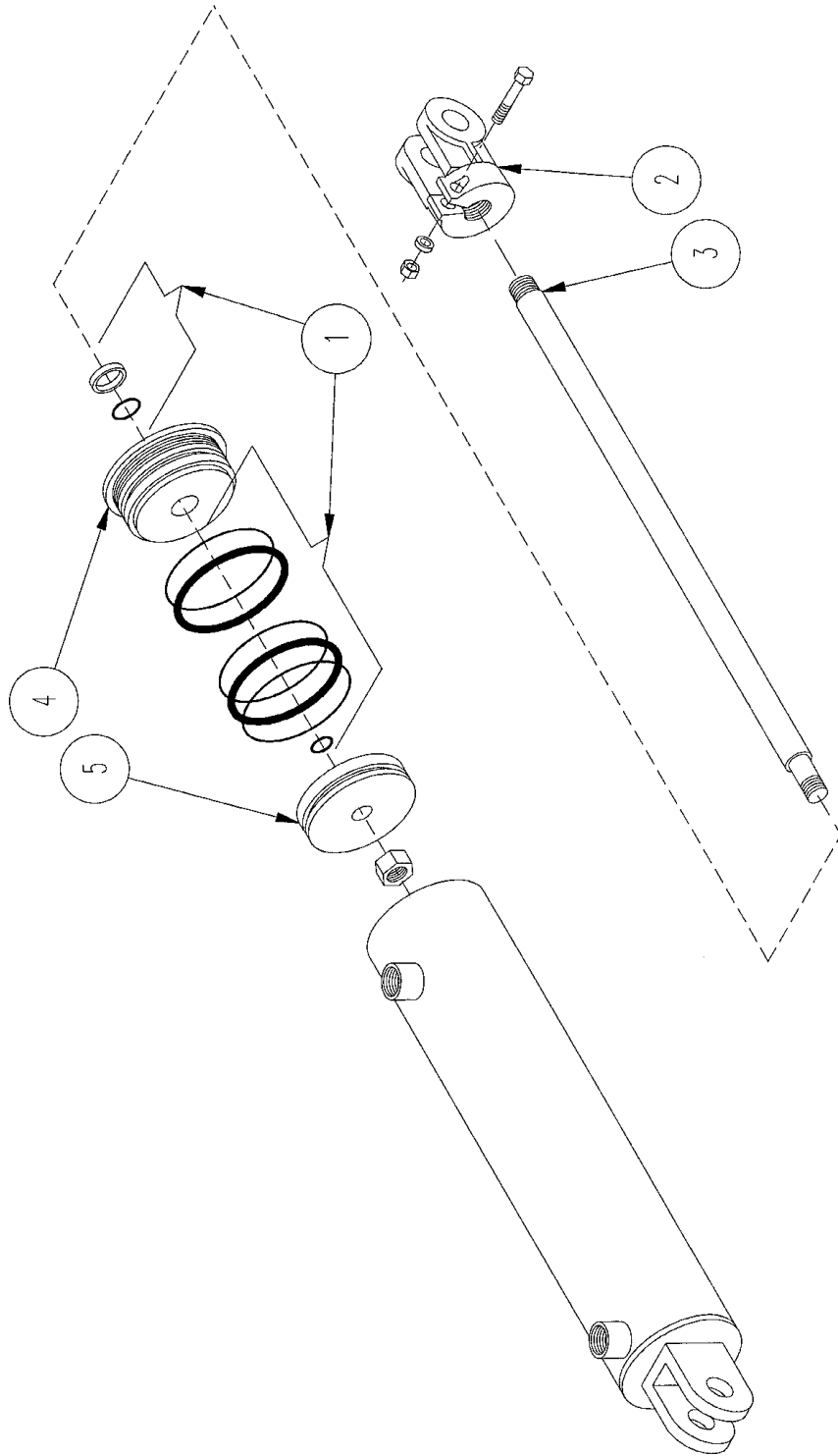
ORBIT MOTOR



ORBIT MOTOR

ITEM	PART	QTY.	PART DESCRIPTION
3	3900005	1	MTR\HYD\14.9\200\SAE;A
1	6200004	1	5/16" X 1-1/2" KEY
2	3900011	1	MOUNTING FLANGE
4	7501005	1	SEAL KIT
3	3900010	1	MTR\HYD\24\2000SAE;A;2-BOLT\7/8FOR1-1/4SFT
1	6200004	1	KEY\SQ\5/16X1-1/2
2	3900011	1	MTG FLG (2000 SER)
4	7501005	1	SEAL KIT
NOT SHOWN			
	3900027	1	MTR\HYD\30CI\2000\
	7501005	1	SEAL KIT
	4200035	1	MTR\HYD\57.4\10000\2-1/4
	7501169	1	SEAL\KIT\MTR\10000\REAR MOTOR SEAL
	7501170	1	SEAL\KIT\HRD\10000\SHAFT\SEAL

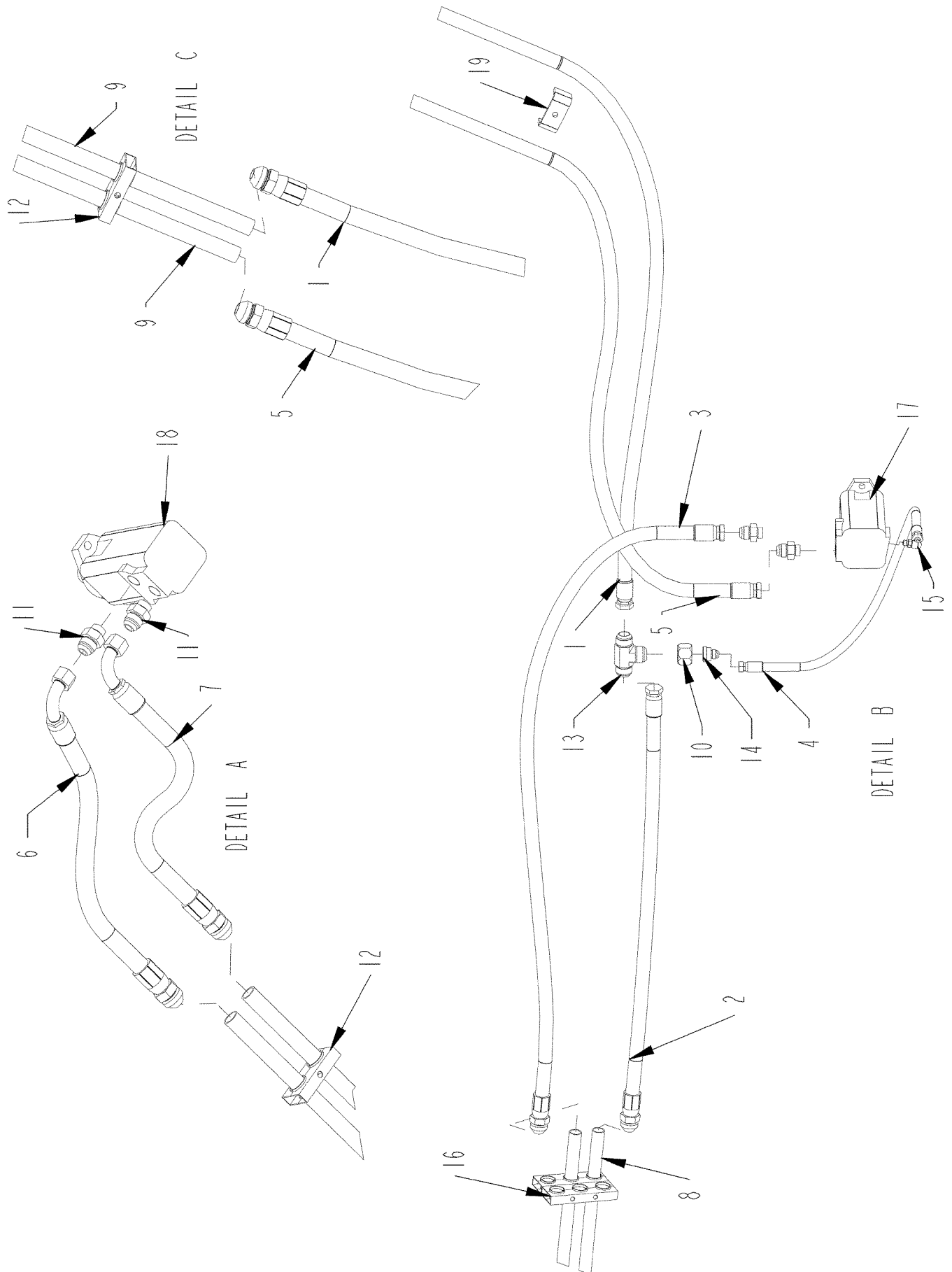
HYDRAULIC CYLINDER SEALS AND OTHER ITEMS



HYDRAULIC CYLINDER SEALS AND OTHER ITEMS

ITEM	PART	QTY.	PART DESCRIPTION
	4100185		CYL\HYD\3-1/2X8\TIE\3/4 O-RING PORTS
1	4100251	1	CYL\HTD\SEAL;KIT\3X1-3/8
	4100220		CYL\HTD\3-1/2X36\INLINE\8SAE\CLEVIS
	4100221		CYL\HYD\3-1/2X8\PERP\8SAE;PORTS
	4100230		CYL\HYD\4X24\W\1-3/4ROD\3/8WA\1"PIN\FOR\CTD
1	4100231	1	SEAL\KIT\2X24\CTD
	4100234		CYL\HYD\4-1/2X30\1-3/4
1	4100223	1	KIT\SEAL\4-1/2X24\1-3/4RD

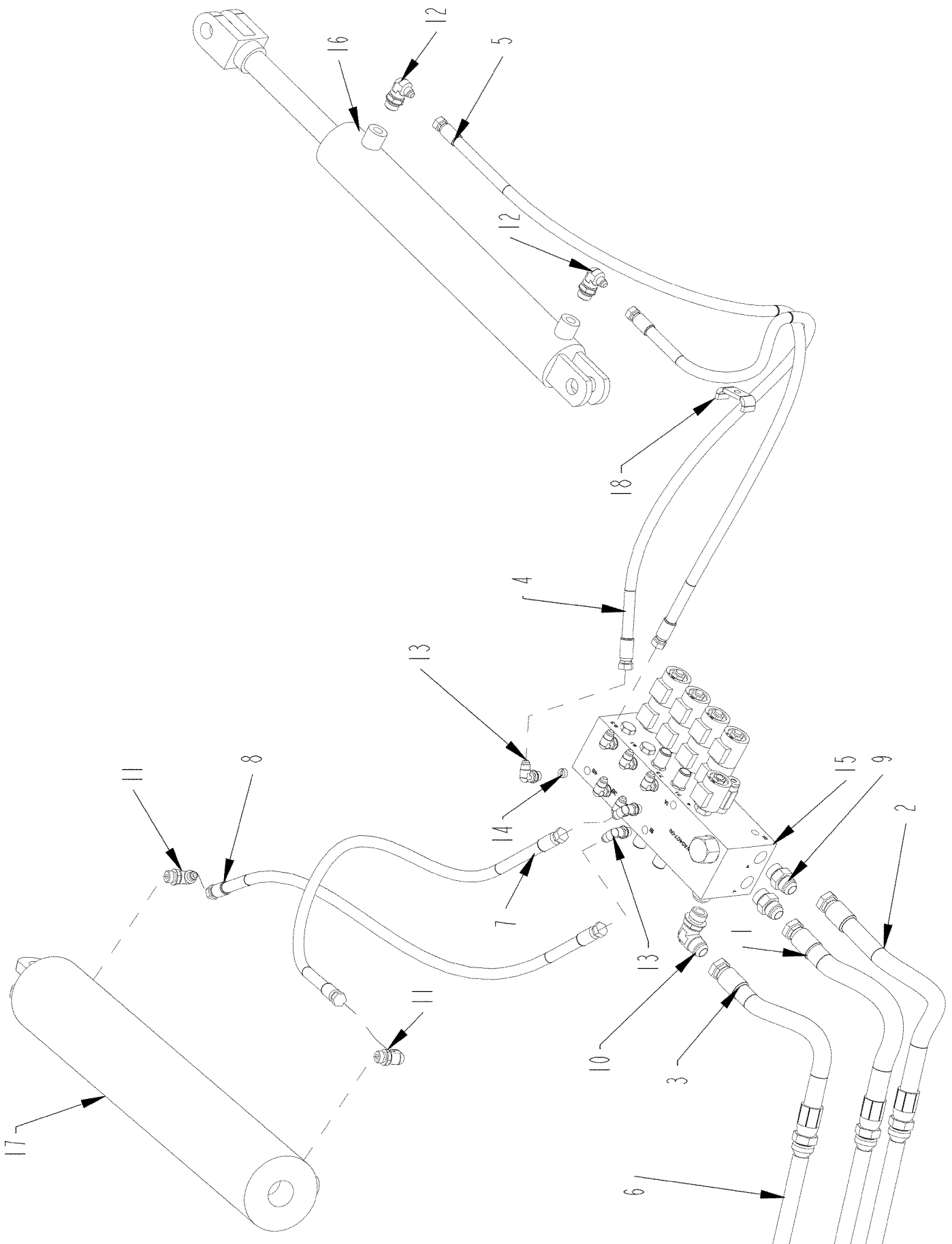
950 HP - DISCHARGE & BELLY CONVEYOR HYDRAULICS



950 HP - DISCHARGE & BELLY CONVEYOR HYDRAULICS

ITEM	PART	QTY.	PART DESCRIPTION
1	3700710_HOSE_67	1	HOSE\HYD\3\4X175\1-5\16MJ TEE TO LOWER CONVEYOR TUBELINE
2	3701224_HOSE_63	1	HOSE\HYD\3\4X47\1-5\16MJICX1-1\16FJIC LOWER INNER TUBELINE TO TEE
3	3701225_HOSE_64	1	HOSE\HYD\3\4X68\1-5\16MJICX1-1\16FJIC INNER MIDDLE TUBELINE TO INSIDE PORT BELLY ORBIT MOTOR
4	3701226_HOSE_65	1	HOSE\HYD\3\8X24\9\16FJICS CASE DRAIN BELLY ORBIT MOTOR TO TEE ON CONVEYOR RETURN LINE
5	3701227_HOSE_66	1	HOSE\HYD\3\4X178\1-5\16MJICX1-1\16FJIC OUTER BELLY ORBIT MOTOR PORT TO UPPER CONVEYOR TUBELINE
6	3701228_HOSE_68	1	HOSE\HYD\3\4X27\1-5\16MJICX1-1\16FJIC\90 UPPER CONVEYOR TUBELINE TO INSIDE PORT END OF CONVEYOR ORBIT MOTOR
7	3701228_HOSE_69	1	HOSE\HYD\3\4X27\1-5\16MJICX1-1\16FJIC\90 LOWER CONVEYOR TUBELINE TO OUTSIDE PORT END OF CONVEYOR ORBIT MOTOR
8	3701237	2	TUBE\STL\1X.095 WALLX96
9	3701372	2	TUBE\STL\1X.095 WALLX165
10	3800499	1	FTG\1-5\16NUTFJICS
11	3800527	4	FTG\7\8MORX1-1\16MJIC\ST
12	3800552	8	CLAMP\HOSE\1-1\4\2HOLES
13	3800731	1	FTG\1-5\16MJICX1-5\16MJICX1-5\16MJIC\TEE
14	3800738	1	FTG\1-5\16FJICX3\4MJIC\ADPT
15	3800762	1	FTG\7\16MORX9\16MJIC\90
16	3800798	12	CLAMP\HOSE\1-1\4\3HOLES
17	3900005	1	MTR\HYD\14.9\2000\SAE;A
18	3900027	1	MTR\HYD\29.8\2000\SAE;A
19	4500893	2	CLMP\HOSE\3\4

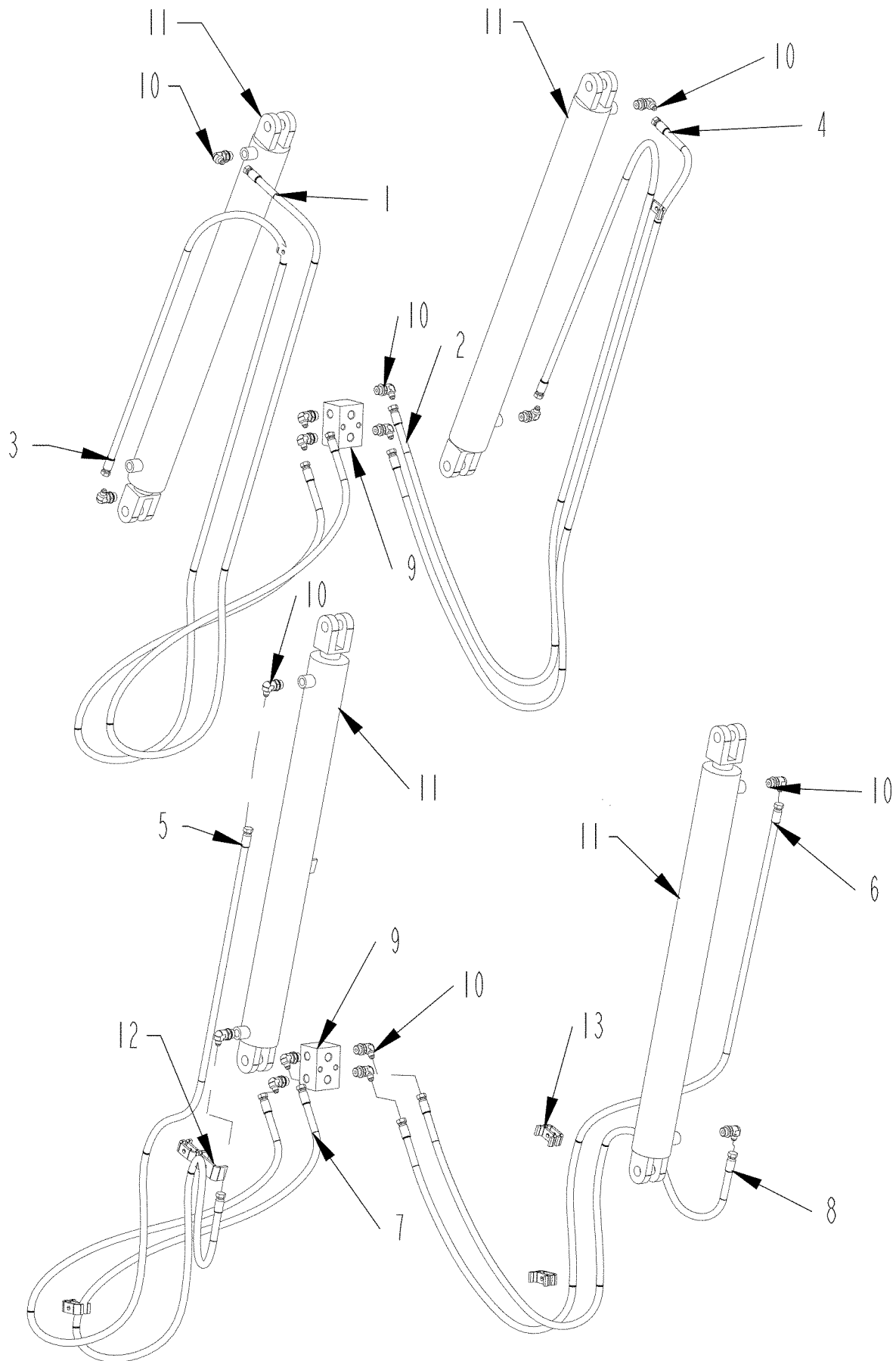
950 HP - SWING & PLATFORM HYDRAULICS



950 HP - SWING & PLATFORM HYDRAULICS

ITEM	PART	QTY.	PART DESCRIPTION
1	3701221_HOSE_60	1	HOSE\HYD\3/4X19\1-5/16MJICX1-1/16FJIC T PORT OF AUX. VALVE TO UPPER OUTER TUBELINE
2	3701222_HOSE_61	1	HOSE\HYD\3/4X21.5\1-5/16MJICX1-1/16FJIC P PORT OF AUX. VALVE TO LOWER OUTER TUBELINE
3	3701223_HOSE_62	1	HOSE\HYD\3/4X17.75\1-5/16MJICX1-1/16FJIC MP PORT OF AUX. VALVE TO UPPER INNER TUBELINE
4	3701229_HOSE_71	1	HOSE\HYD\3/8X68\9/16FJICS ROD END OF CONVEYOR SWING CYLINDER TO 4A PORT AUX. VALVE
5	3701230_HOSE_70	1	HOSE\HYD\3/8X77\9/16FJICS CAP END OF CONVEYOR SWING CYLINDER TO 4B PORT AUX. VALVE
6	3701237	3	TUBE\STL\1X.095 WALLX96
7	3701400_HOSE_86	1	HOSE\HYD\3/8X87\9/16FJICS 1A PORT AUX VALVE TO ROD END PLATFORM CYLINDER
8	3701400_HOSE_87	1	HOSE\HYD\3/8X87\9/16FJICS 1B PORT AUX VALVE TO CAP END PLATFORM CYLINDER
9	3800277	2	FTG\1-1/16MORX1-1/16MJIC\ST
10	3800279	1	FTG\1-1/16MORX1-1/16MJIC\90
11	3800453	2	FTG\3/4MORX9/16MJIC\90
12	3800538	2	FTG\7/8MORX9/16MJIC\90
13	3800757	8	FTG\9/16MORX9/16MJIC\90
14	3800772	1	FTG\9/16MOR\ORFC\0.0320"
15	4000210	1	VLV\HYD\AUX\BLK\MFLD
16	4100221	1	CYL\HYD\3X24\1-1/2RD\WELD
17	4100234	1	CYL\HYD\4-1/2X30\1-1/4PINS
18	4700776	1	CLMP\HOSE\3/8

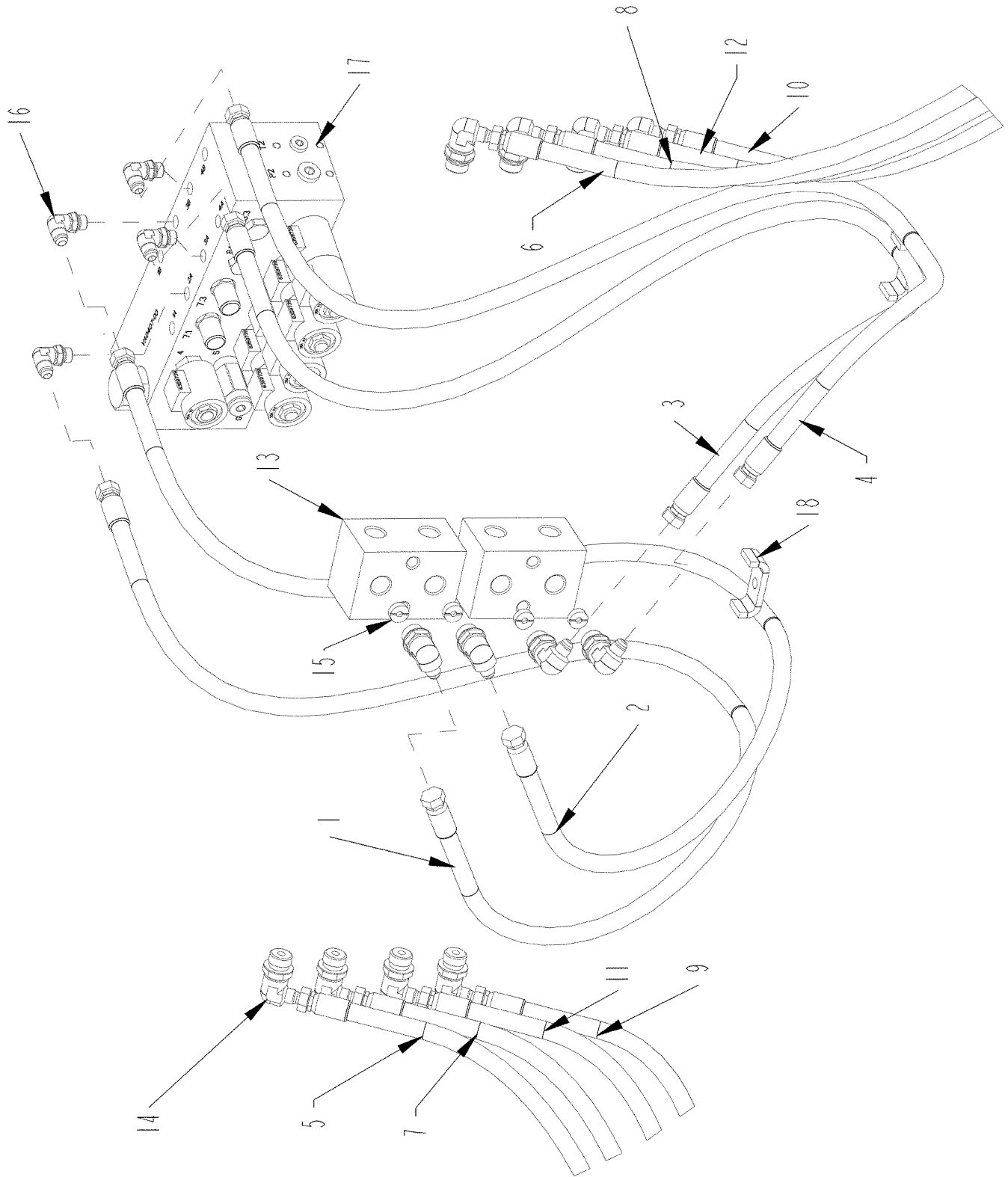
950 HP - LIFT & FOLD HYDRAULICS



950 HP - LIFT & FOLD HYDRAULICS

ITEM	PART	QTY.	PART DESCRIPTION
1	3701232_HOSE_76	1	HOSE\HYD\3\8X177\9\16FJICS ROD END CONVVOR LIFT CYLINDER TO UPPER PORT UPPER DIVIDER BLOCK LEFT SIDE
2	3701232_HOSE_80	1	HOSE\HYD\3\8X177\9\16FJICS ROD END LIFT CYLINDER TO UPPER PORT UPPER DIVIDER BLOCK RIGHT SIDE
3	3701233_HOSE_77	1	HOSE\HYD\3\8X140\9\16FJIC CAP END CONVVOR LIFT CYLINDER TO LOWER PORT UPPER DIVIDER BLOCK LEFT SIDE
4	3701233_HOSE_81	1	HOSE\HYD\3\8X140\9\16FJIC CAP END CONVEYOR LIFT CYLINDER TO LOWER PORT UPPER DIVIDER BLOCK RIGHT SIDE
5	3701234_HOSE_78	1	HOSE\HYD\3\8X150\9\16FJICS ROD END CONVVOR FOLD CYLINDER TO LOWER PORT LOWER DIVIDER BLOCK LEFT SIDE
6	3701234_HOSE_82	1	HOSE\HYD\3\8X150\9\16FJICS ROD END CONVVOR FOLD CYLINDER TO LOWER PORT LOWER DIVIDER BLOCK RIGHT SIDE
7	3701235_HOSE_79	1	HOSE\HYD\3\8X114\9\16FJICS CAP END CONVEYOR FOLD CYLINDER TO UPPER PORT LOWER DIVIDER BLOCK LEFT SIDE
8	3701235_HOSE_83	1	HOSE\HYD\3\8X114\9\16FJICS CAP END CONVEYOR FOLD CYLINDER TO UPPER PORT LOWER DIVIDER BLOCK RIGHT SIDE
9	3800428	2	MNFLD\DBL;TEE\BLK\3\4FOR
10	3800538	16	FTG\7\8MORX9\16MJIC\90
11	4100220	4	CYL\HYD\3X24\1-1\2RD\WELD
12	4500893	2	CLMP\HOSE\3\4
13	4700776	10	CLMP\HOSE\3\8

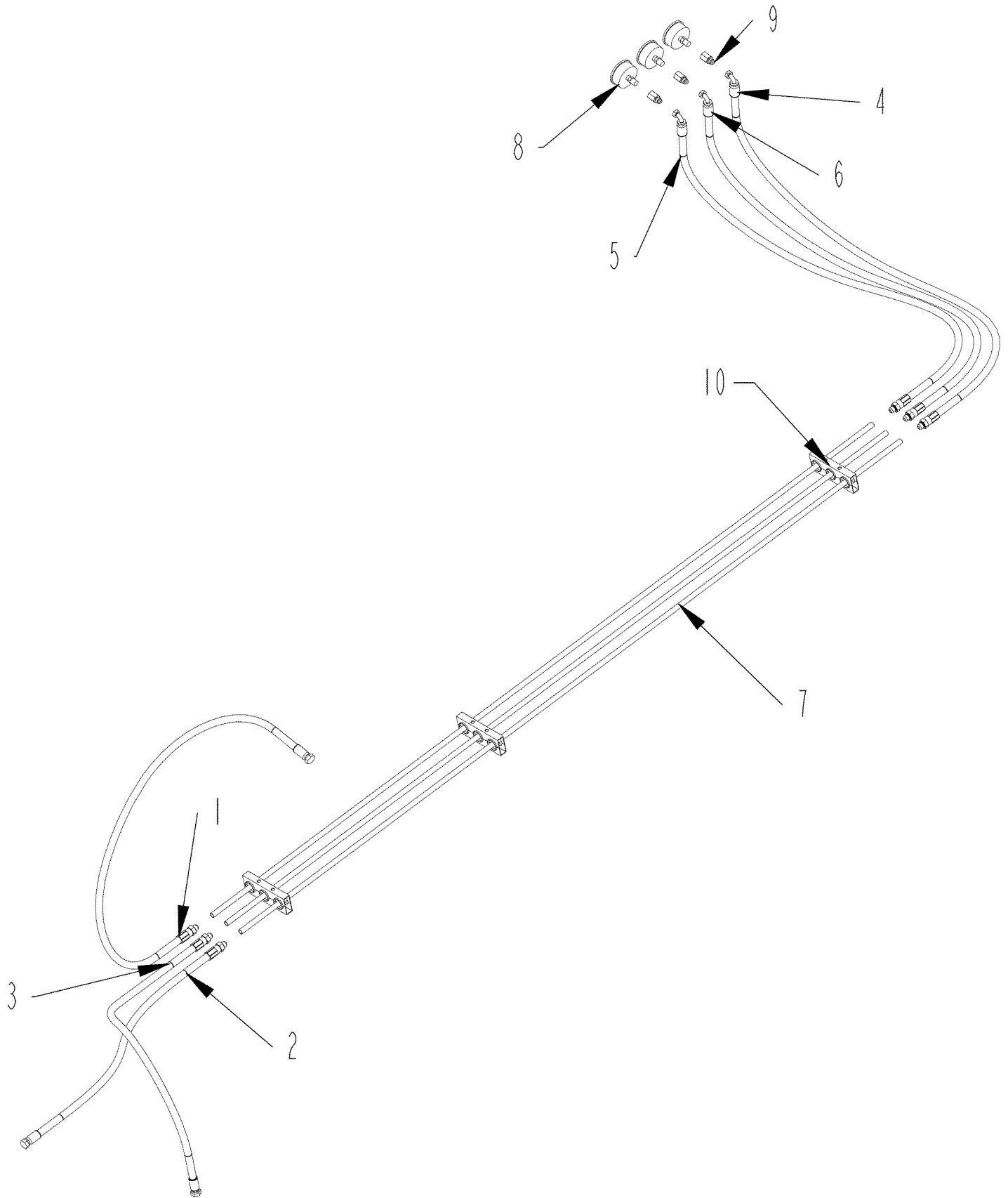
950 HP - MANIFOLD BLOCK HYDRAULICS



950 HP - MANIFOLD BLOCK HYDRAULICS

ITEM	PART	QTY.	PART DESCRIPTION
1	3701231_HOSE_72	1	HOSE\HYD\3\8X90\9\16\FJIC UPPER PORT UPPER DIVIDER BLOCK TO AUX. VALVE
2	3701231_HOSE_73	1	HOSE\HYD\3\8X90\9\16\FJIC LOWER PORT UPPER DIVIDER BLOCK TO AUX. VALVE
3	3701231_HOSE_74	1	HOSE\HYD\3\8X90\9\16\FJIC UPPER PORT LOWER DIVIDER BLOCK TO AUX. VALVE
4	3701231_HOSE_75	1	HOSE\HYD\3\8X90\9\16\FJIC LOWER PORT LOWER DIVIDER BLOCK TO AUX. VALVE
5	3701232_HOSE_76	1	HOSE\HYD\3\8X177\9\16\FJICS ROD END CONVEYOR LIFT CYLINDER TO UPPER PORT UPPER DIVIDER BLOCK LEFT SIDE
6	3701232_HOSE_80	1	HOSE\HYD\3\8X177\9\16\FJICS ROD END LIFT CYLINDER TO UPPER PORT UPPER DIVIDER BLOCK RIGHT SIDE
7	3701233_HOSE_77	1	HOSE\HYD\3\8X140\9\16\FJIC CAP END CONVEYOR LIFT CYLINDER TO LOWER PORT UPPER DIVIDER BLOCK LEFT SIDE
8	3701233_HOSE_81	1	HOSE\HYD\3\8X140\9\16\FJIC CAP END CONVEYOR LIFT CYLINDER TO LOWER PORT UPPER DIVIDER BLOCK RIGHT SIDE
9	3701234_HOSE_78	1	HOSE\HYD\3\8X150\9\16\FJICS ROD END CONVEYOR FOLD CYLINDER TO LOWER PORT LOWER DIVIDER BLOCK LEFT SIDE
10	3701234_HOSE_82	1	HOSE\HYD\3\8X150\9\16\FJICS ROD END CONVEYOR FOLD CYLINDER TO LOWER PORT LOWER DIVIDER BLOCK RIGHT SIDE
11	3701235_HOSE_79	1	HOSE\HYD\3\8X114\9\16\FJICS CAP END CONVEYOR FOLD CYLINDER TO UPPER PORT LOWER DIVIDER BLOCK LEFT SIDE
12	3701235_HOSE_83	1	HOSE\HYD\3\8X114\9\16\FJICS CAP END CONVEYOR FOLD CYLINDER TO UPPER PORT LOWER DIVIDER BLOCK RIGHT SIDE
13	3800428	2	MNFLD\DBL;TEE\BLK\3\4\FOR
14	3800538	12	FTG\7\8\MOR\X9\16\MJIC\90
15	3800683	4	FTG\3\4\MOR\OR\FICE\0.0490"
16	3800757	4	FTG\9\16\MOR\X9\16\MJIC\90
17	4000210	1	VLV\HYD\AUX\BLK\MFLD
18	4700776	2	CLMP\HOSE\3\8

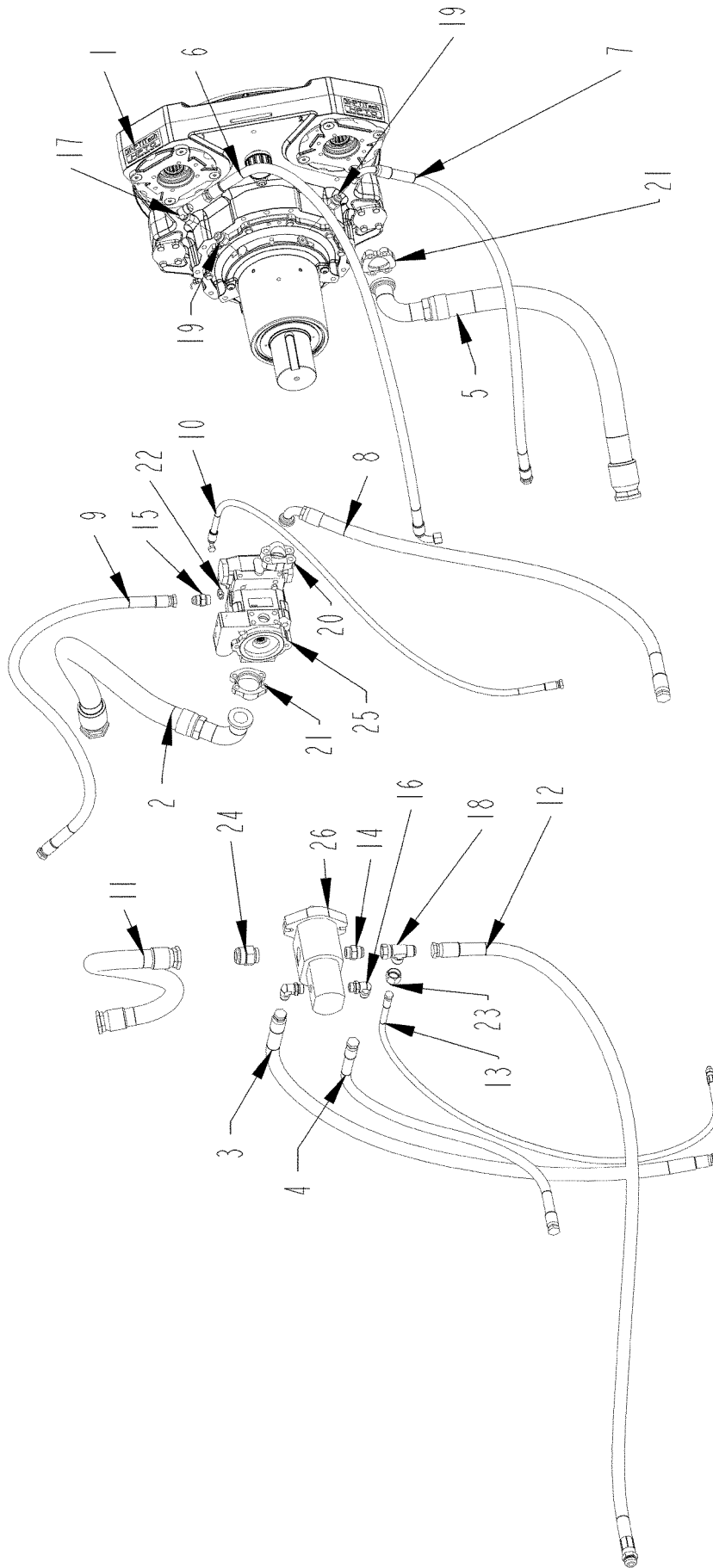
950 HP - PRESSURE GUAGES



950 HP - PRESSURE GAUGES

ITEM	PART	QTY.	PART DESCRIPTION
1	3701200_HOSE_31	1	HOSE\HYD\3/8X68\3/4MJCSX9/16FJICS AUX. PRESSURE GAUGE LINE TO TUBELINE
2	3701210_HOSE_41	1	HOSE\HYD\3/8X59\3/4MJCX9/16FJC GAUGE PORT TUB VALVE TO TUBELINE
3	3701210_HOSE_44	1	HOSE\HYD\3/8X59\3/4MJCX9/16FJC CONVEYOR PRESSURE GAUGE LINE TO TEE OF IN PORT CONVEYOR VALVE
4	3701211_HOSE_42	1	HOSE\HYD\3/8X93\3/4MJICX9/16FJIC\90 GAUGE PORT TUB VALVE TUBELINE TO TUB GAUGE
5	3701211_HOSE_43	1	HOSE\HYD\3/8X93\3/4MJICX9/16FJIC\90 AUX. PRESSURE TUBELINE TO AUX. GAUGE
6	3701211_HOSE_45	1	HOSE\HYD\3/8X93\3/4MJICX9/16FJIC\90 CONVEYOR PRESSURE TUBELINE TO CONVEYOR GAUGE
7	3701240	3	TUBE\STL\1/2X.049 WALLX88
8	3800381	3	GAUGE\3000PSI\REAR STEM
9	3800758	3	FTG\9/16MJICX1/4FP\ADPT
10	3800798	6	CLAMP\HOSE\1-1/4\3HOLES

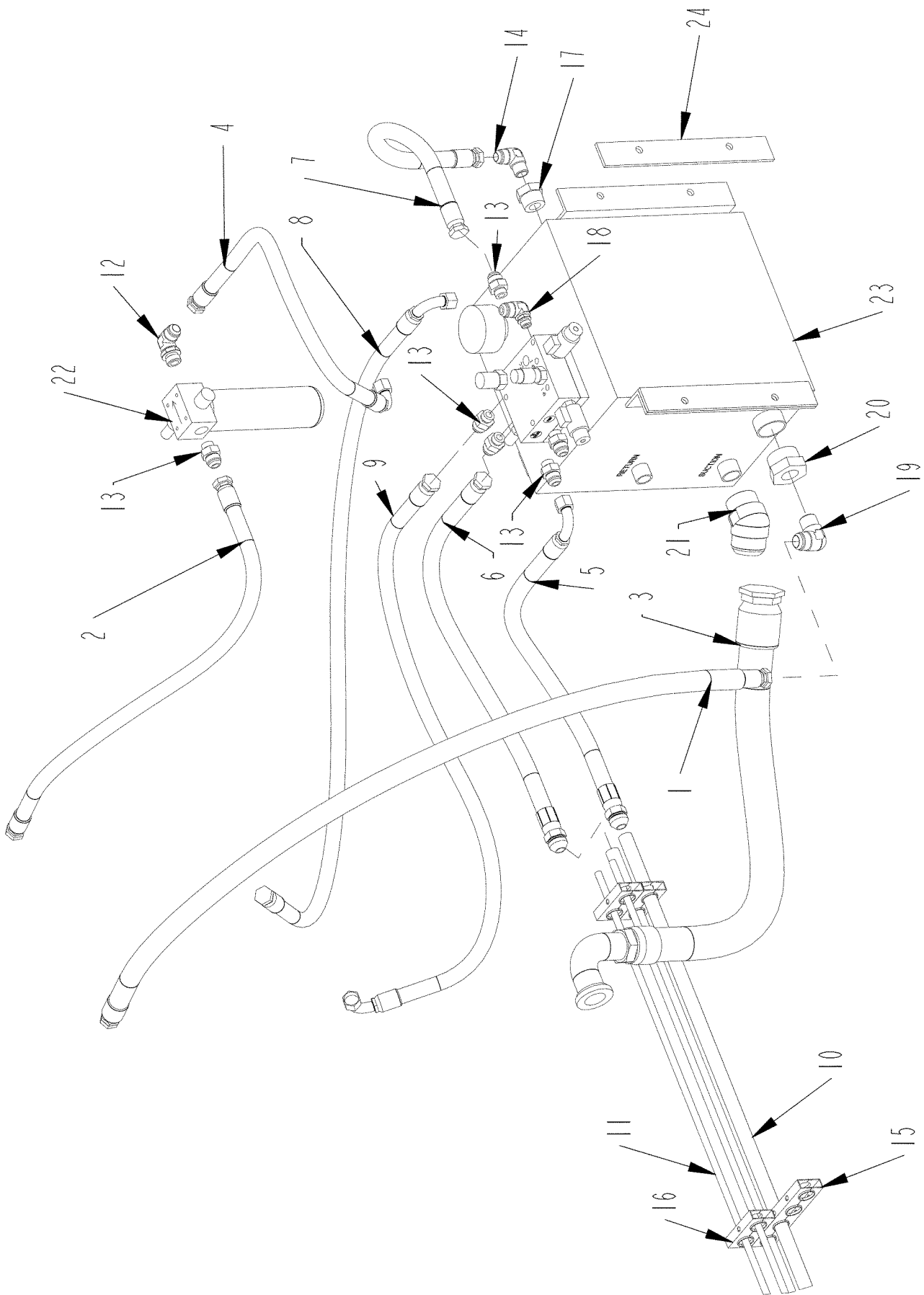
950 HP - CLUTCH, LOAD SENSE, AUXILLARY PUMP



950 HP - CLUTCH, LOAD SENSE, AUXILLARY PUMP

ITEM	PART	QTY.	PART DESCRIPTION
1	O900155	1	CLUTCH\FLEX\HPTO15TFO
2	3701122_HOSE_25	1	HOSE\HYD\2X28\2-1/2FJIC\2-1/2FLGX2-1/2BARB\HE\WFR CENTER PORT OIL TANK TO CONVEYOR PUMP SUCTION PORT
3	3701184_HOSE_14	1	HOSE\HYD\1X67\1-1/16FJICX1-5/16FJIC RIGHT PORT OF CLUTCH TANK TO SUCTION PORT CLUTCH PUMP
4	3701185_HOSE_15	1	HOSE\HYD\3/4X46\1-1/16FJICX1-1/16FJIC PRESSURE PORT CLUTCH PUMP TO FILTER
5	3701186_HOSE_16	1	HOSE\HYD\2X47\2-1/2FJIC\2-1/2FLGX2-1/2BARB\HE\WFR CASE DRAIN CLUTCH TO LEFT PORT OF TANK
6	3701193_HOSE_2	1	HOSE\HYD\3/4X65\1-1/16FJIC90X1-1/16FJIC TEE ON TUBELINE RETURN TO CENTER TANK FILTER
7	3701194_HOSE_24	1	HOSE\HYD\3/4X52\1-1/16FJIC90X1-1/16FJIC LUBE PORT OF CLUTCH VALVE TO LUBEPORT ON CLUTCH
8	3701195_HOSE_28	1	HOSE\HYD\1X68\1-5/8FJICX1-5/16FJIC PRESSURE PORT OF CONVEYOR PUMP TO CONVEYOR RUN VALVE
9	3701196_HOSE_26	1	HOSE\HYD\3/4X57\1-1/16FJICX1-1/16FJIC CASE DRAIN CONVEYOR PUMP TO LEFT SIDE -16 OIL TANK PORT
10	3701197_HOSE_27	1	HOSE\HYD\3/8X63\3/4FJICX9/16FJIC90 LOAD SENSE PORT CONVEYOR PUMP TO TEE ON SCREEN VALVE
11	3701198_HOSE_29	1	HOSE\HYD\1-1/2X41\1-7/8FJICX1-7/8FJIC SUCTION PORT AUXILLARY PUMP TO LEFT -24 PORT OIL TANK
12	3701199_HOSE_30	1	HOSE\HYD\3/4X134\1-5/16MJICX1-5/16FJIC PRESSURE PORT AUX. PUMP TO LOWER OUTER 1" TUBELINE
13	3701200_HOSE_31	1	HOSE\HYD\3/8X68\3/4MJICX9/16FJICS AUX. PUMP GAUGE LINE TO TUBELINE
14	3800274	1	FTG\1-5/16MORX1-5/16MJIC\ST
15	3800277	1	FTG\1-1/16MORX1-1/16MJIC\ST
16	3800279	2	FTG\1-1/16MORX1-1/16MJIC\90
17	3800280	1	FTG\1-1/16MJICX1-1/16FJIC\90\SW
18	3800497	1	FTG\1-5/16FJICX1-5/16MJICX1-5/16MJIC\RUN;TEE
19	3800668	2	FTG\1-1/16MJICX3/4MOR\ADP
20	3800732	1	CLMP\FLANGE\SPLIT\#62\20
21	3800756	2	CLMP\FLANGE\SPLIT\#61\32
22	3800763	1	FTG\7/16MORX9/16MJIC\ST
23	3800810	1	FTG\1-5/16FJICX3/4MJIC\ADPT\W\NUT
24	3800836	1	FTG\1-5/8MORX1-7/8MJIC\ST
25	4200125	1	PUMP\HYD\4.00CID\LOADS\NSE
26	4200128	1	PUMP\HYD\3.15X1.27\RH\B

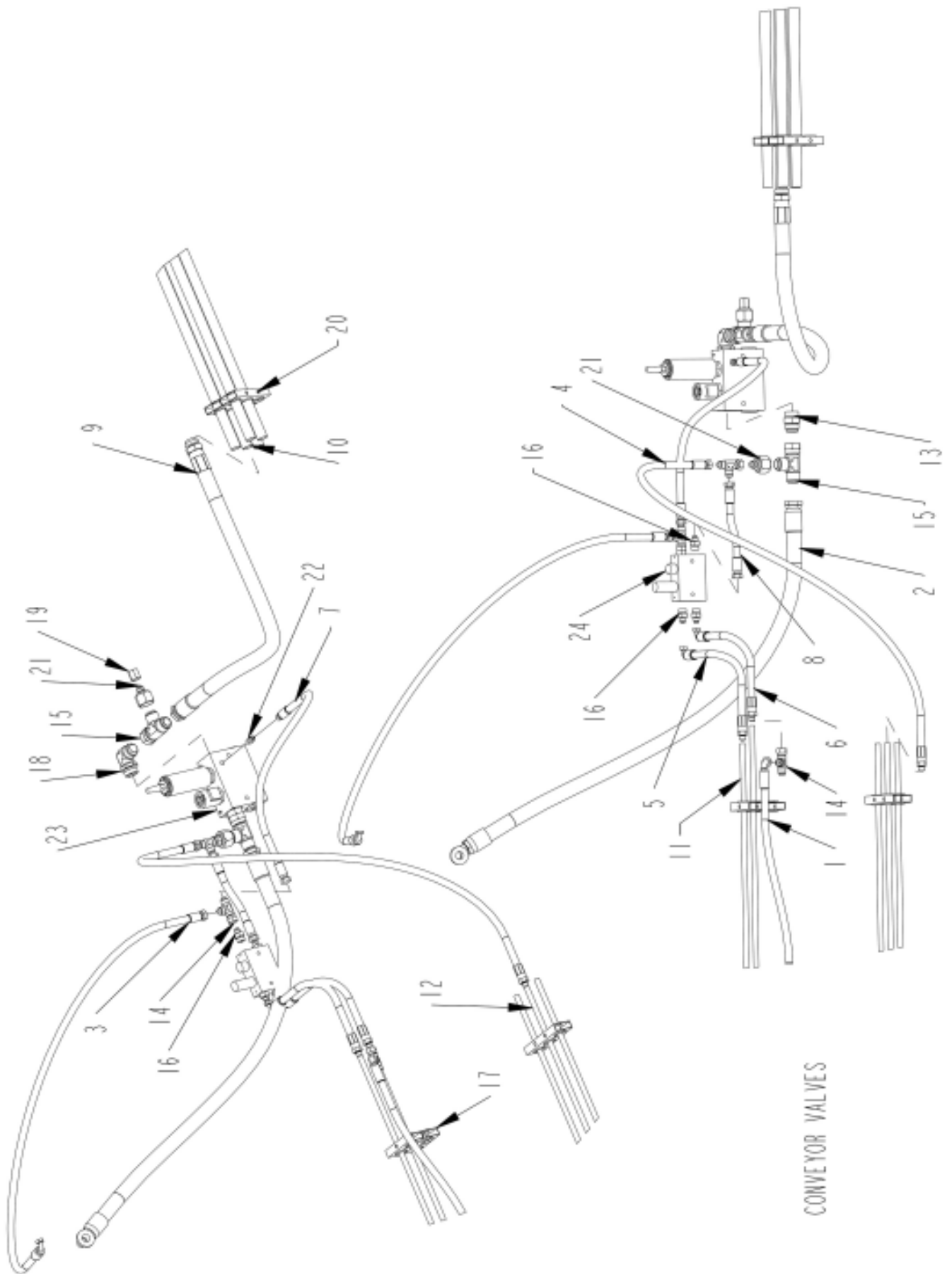
950 HP - CLUTCH TANK



950 HP - CLUTCH TANK

ITEM	PART	QTY.	PART DESCRIPTION
1	3701184_HOSE_14	1	HOSE\HYD\1X67\1-1/16\FJICX1-5/16\FJIC RIGHT PORT OF CLUTCH TANK TO SUCTION PORT CLUTCH PUMP
2	3701185_HOSE_15	1	HOSE\HYD\3/4X46\1-1/16\FJICX1-1/16\FJIC PRESSURE PORT CLUTCH PUMP TO FILTER
3	3701186_HOSE_16	1	HOSE\HYD\2X47\2-1/2\FJIC\2-1/2\FLGX2-1/2\BARB\HEW\FR CASE DRAIN CLUTCH TO LEFT PORT OF TANK
4	3701187_HOSE_17	1	HOSE\HYD\3/4X35\1-1/16\FJIC90X1-1/16\FJIC FILTER TO PRESSURE INLET PORT OF CLUTCH VALVE
5	3701188_HOSE_18	1	HOSE\HYD\3/4X32\1-5/16\MJICX1-1/16\FJIC\90 TO COOLER PORT CLUTCH VALVE TO INNER 1" TUBELINE
6	3701189_HOSE_19	1	HOSE\HYD\3/4X36\1-5/16\MJICX1-1/16\FJIC FROM COOLER PORT CLUTCH VALVE TO OUTER 1" TUBELINE
7	3701192_HOSE_22	1	HOSE\HYD\3/4X17.5\1-1/16\FJICX1-1/16\FJIC TANK PORT OF CLUTCH VALVE TO BACK OF TANK
8	3701193_HOSE_23	1	HOSE\HYD\3/4X65\1-1/16\FJIC90X1-1/16\FJIC CLUTCH PORT OF CLUTCH VALVE TO CLUTCH PORT ON CLUTCH
9	3701194_HOSE_24	1	HOSE\HYD\3/4X52\1-1/16\FJIC90X1-1/16\FJIC LUBE PORT OF CLUTCH VALVE TO LUBEPORT ON CLUTCH
10	3701237	2	TUBE\STL\1X.095 WALLX96
11	3701238	2	TUBE\STL\1/2X.049 WALLX96
12	3800279	1	FTG\1-1/16\MORX1-1/16\MJIC\90
13	3800527	6	FTG\7/8\MORX1-1/16\MJIC\ST
14	3800541	1	FTG\1-1/16\MJICX3/4MP\90
15	3800551	4	CLAMP\HOSE\1-1/4\4HOLES
16	3800552	8	CLAMP\HOSE\1-1/4\2HOLES
17	3800721	1	FTG\1-1/4MPX3/4FP\BUSH
18	3800726	1	FTG\3/4\MORX1-1/16\MJIC\90
19	3800729	1	FTG\1-5/16\MJICX1MP\90
20	3800739	1	FTG\2MPX1FP\BUSH
21	3800783	1	FTG\2-1/2\MJICX2MP\45
22	4400059	1	FLTR\COMP\10MIC;ABS>
23	4704003	1	TANK\HYD\15G\HPTO\4012
24	4704724	2	PAD\TANK\HYD\CLUTCH

950 HP - CONVEYOR VALVES

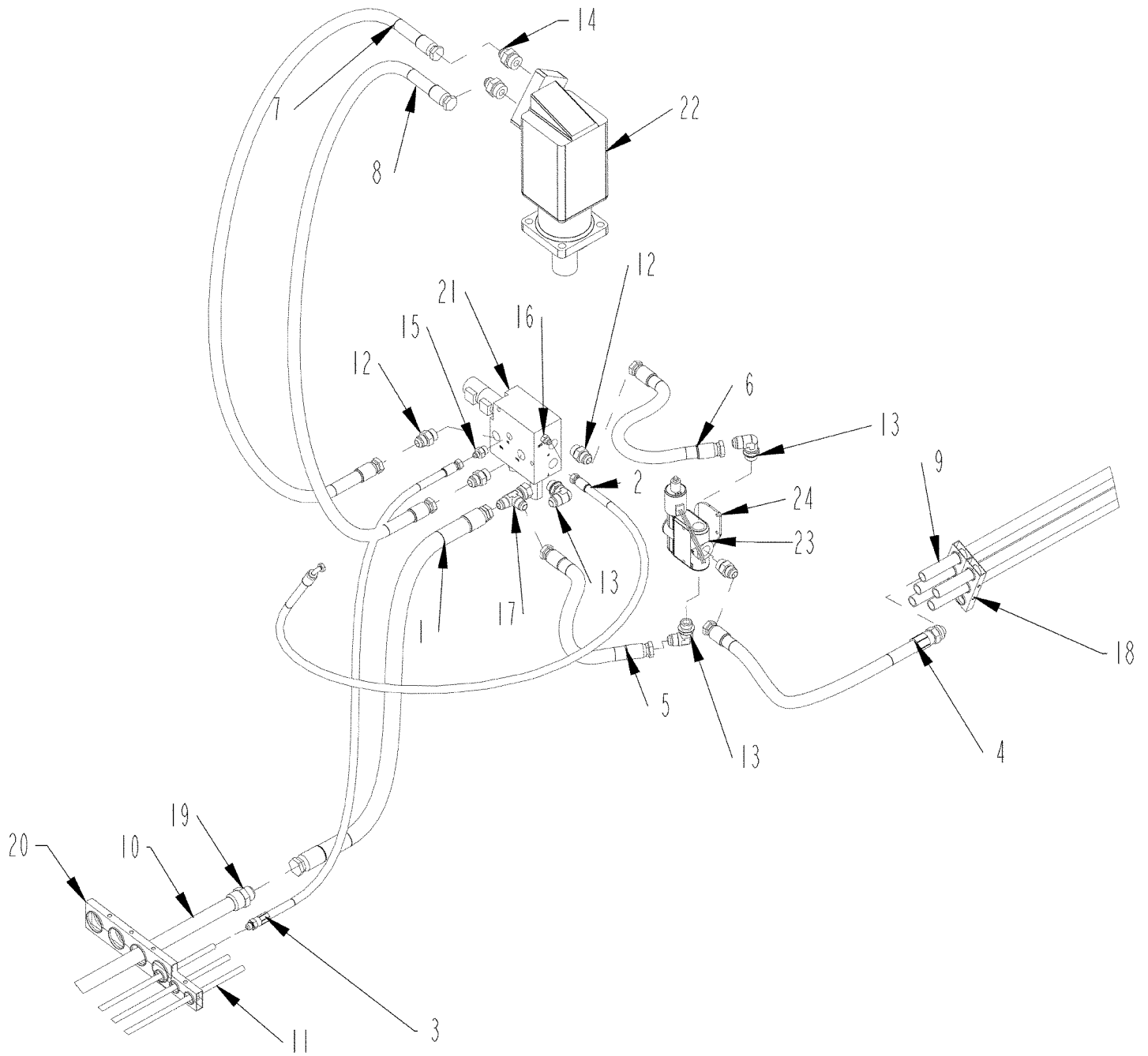


CONVEYOR VALVES

950 HP - CONVEYOR VALVES

ITEM	PART	QTY.	PART DESCRIPTION
1	3701178_HOSE_8	1	HOSE\HYD\3/8X31\3/4FJICX3/4FJIC\90 SCREEN MOTOR RETURN TUBE TO LOADER PILOT SYSTEM RETURN TUBE JUMPER HOSE
2	3701195_HOSE_28	1	HOSE\HYD\1X68\1-5/8FJICX1-5/16FJIC PRESSURE PORT CONVEYOR PUMP TO TEE ON SCREEN VALVE
3	3701197_HOSE_27	1	HOSE\HYD\3/8X63\3/4FJICX9/16FJIC90 LOAD SENSE PORT CONVEYOR PUMP TO TEE ON SCREEN VALVE
4	3701210_HOSE_44	1	HOSE\HYD\3/8X59\3/4MJICX9/16FJIC CONVEYOR PRESSURE GAUGE LINE ON TEE OF IN PORT CONVEYOR VALVE
5	3701212_HOSE_46	1	HOSE\HYD\3/8X14\3/4MJICX9/16FJIC\90 UPPER PORT SCREEN VALVE TO OUTER TUBELINE
6	3701212_HOSE_47	1	HOSE\HYD\3/8X14\3/4MJICX9/16FJIC\90 LOWER PORT SCREEN VALVE TO INNER TUBELINE
7	3701214_HOSE_52	1	HOSE\HYD\3/8X25\9/16FJICX7/16FJIC CHECK VALVE SCREEN VALVE TO LOADSENSE PORT CONVEYOR VALVE
8	3701215_HOSE_53	1	HOSE\HYD\3/8X11\3/4FJICX9/16FJIC LOWER PORT SCREEN VALVE TO TEE ON IN PORT CONVEYOR VALVE
9	3701216_HOSE_54	1	HOSE\HYD\3/4X69\1-5/16MJICX1-5/16FJIC CONVEYOR VALVE TO TUBELINE
10	3701237	5	TUBE\STL\1X.095 WALLX96
11	3701238	2	TUBE\STL\1/2X.049 WALLX96
12	3701240	3	TUBE\STL\1/2X.049 WALLX88
13	3800274	1	FTG\1-5/16MORX1-5/16MJIC\ST
14	3800484	3	FTG\3/4FJICX3/4MJICX3/4MJIC\RUN;TEE
15	3800497	2	FTG\1-5/16FJICX1-5/16MJICX1-5/16MJIC\RUN;TEE
16	3800530	4	FTG\3/4MORX9/16MJIC\ST
17	3800552	8	CLAMP\HOSE\1-1/4\2HOLES
18	3800728	1	FTG\1-5/16MORX1-5/16MJIC\90
19	3800765	1	FTG\3/4FJIC\CAP
20	3800798	18	CLAMP\HOSE\1-1/4\3HOLES
21	3800810	2	FTG\1-5/16FJICX3/4MJICADPT\W/NUT
22	3800848	1	FTG\7/16MORX7/16MJIC\ST
23	4000212	1	VLV\HYD\CNVYR\BLK\MFLD
24	4000316	1	VLV\HYD\SEL\24\16GPM

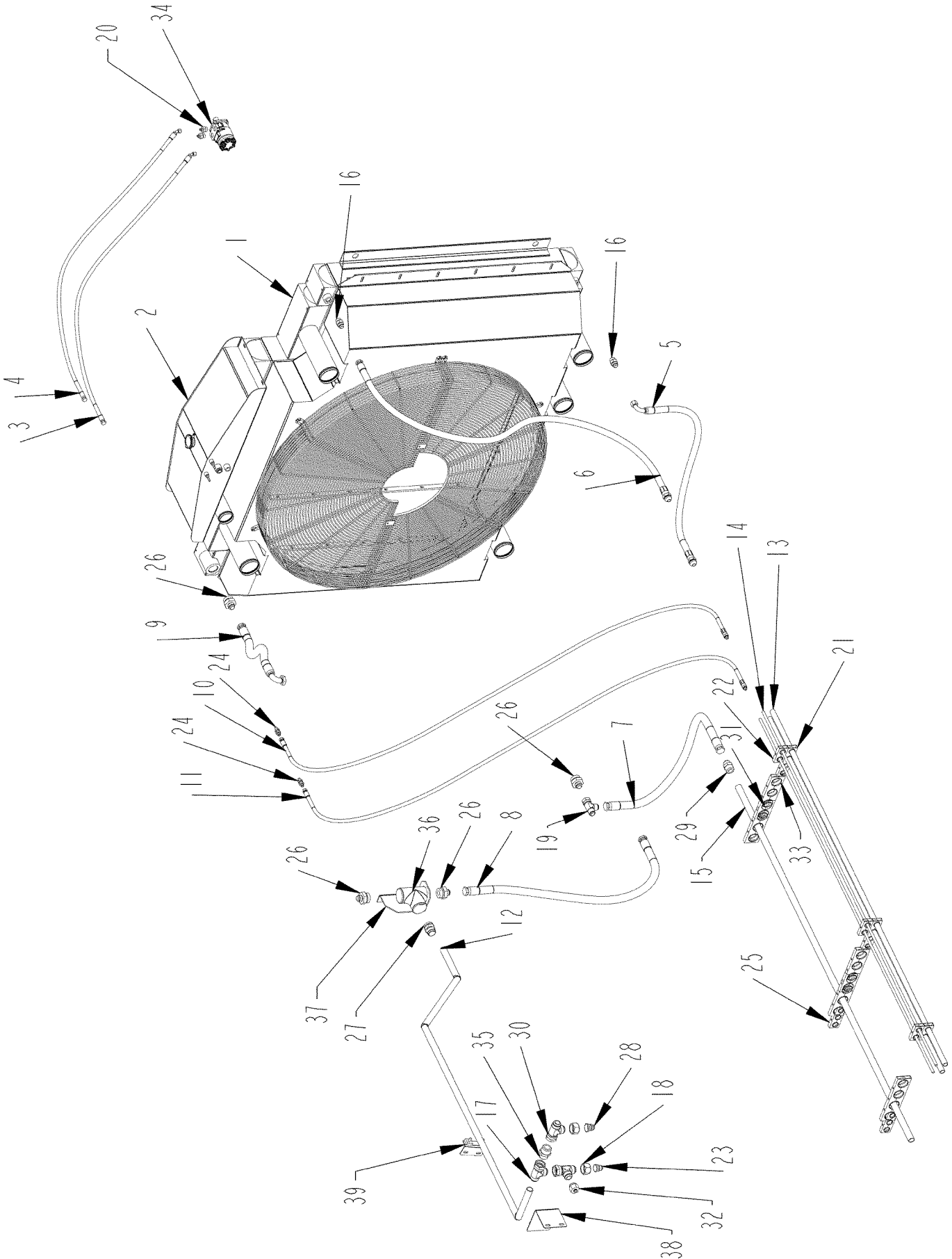
950 HP - TUB DRIVE



950 HP - TUB DRIVE

ITEM	PART	QTY.	PART DESCRIPTION
1	3701201_HOSE_32	1	HOSE\HYD\1X45\1-1/16\FJICX1-5\16\FJIC TUBE DRIVE VALVE RETURN TO -20 COOLER TUBELINE
2	3701209_HOSE_40	1	HOSE\HYD\3/8X124\9\16\FJCX9\16\FJC90 DR PORT TUB VALVE TO -8 PORT OF OIL TANK
3	3701210_HOSE_41	1	HOSE\HYD\3/8X59\3/4\MJICX9\16\FJC GAUGE PORT TUB VALVE TO TUBELINE
4	3701217_HOSE_55	1	HOSE\HYD\3/4X39\1-5/16\MJICX1-1\16\FJIC UPPER INNER TUBELIN TO JEMM VALVE IN PORT
5	3701218_HOSE_56	1	HOSE\HYD\3/4X17\1-1/16\FJICX1-1\16\FJIC EX PORT JEMM VALVE TO TEE ON TANK PORT TUB VALVE
6	3701219_HOSE_57	1	HOSE\HYD\3/4X19\1-1/16\FJCX1-1\16\FJC CF PORT JEMM VAVLE TO P PORT TUB VALVE
7	3701220_HOSE_58	1	HOSE\HYD\3/4X100\1-1/16\FJCX1-1\16\FJC TUB VALVE TO UPPER PORT TUB ORBIT MOTOR
8	3701220_HOSE_59	1	HOSE\HYD\3/4X100\1-1/16\FJCX1-1\16\FJC TUB VALVE TO LOWER PORT TUB ORBIT MOTOR
9	3701237	5	TUBE\STL\1X.095 WALLX96
10	3701239	1	TUBE\STL\1-1/4X.120 WALLX96
11	3701240	3	TUBE\STL\1/2X.049 WALLX88
12	3800277	4	FTG\1-1/16\MORX1-1\16\MJIC\ST
13	3800279	3	FTG\1-1/16\MORX1-1\16\MJIC\90
14	3800526	2	FTG\1-5/16\MORX1-1\16\MJIC\ST
15	3800530	1	FTG\3/4\MORX9\16\MJIC\ST
16	3800631	1	FTG\9/16\MORX9\16\MJIC\ST
17	3800670	1	FTG\1-1/16\FJICX1-1\16\MJICX1-1\16\MJIC\RUN;TEE
18	3800798	18	CLAMP\HOSE\1-1/4\3HOLES
19	3800929	1	FTG\1-5/8\MJICX1-5\16\MJIC\UNION
20	3800946	6	CLAMP\HOSE\1-1/4\4HOLES
21	4000207	1	VLV\HYD\TUB\BLK\MFLD
22	4200035	1	MTR\HYD\1191031-003
23	4300072	2	VALVE\SERVO\30GPM\24V
24	4703836	1	BRKT\VALVE\BRAND\UPGRADE

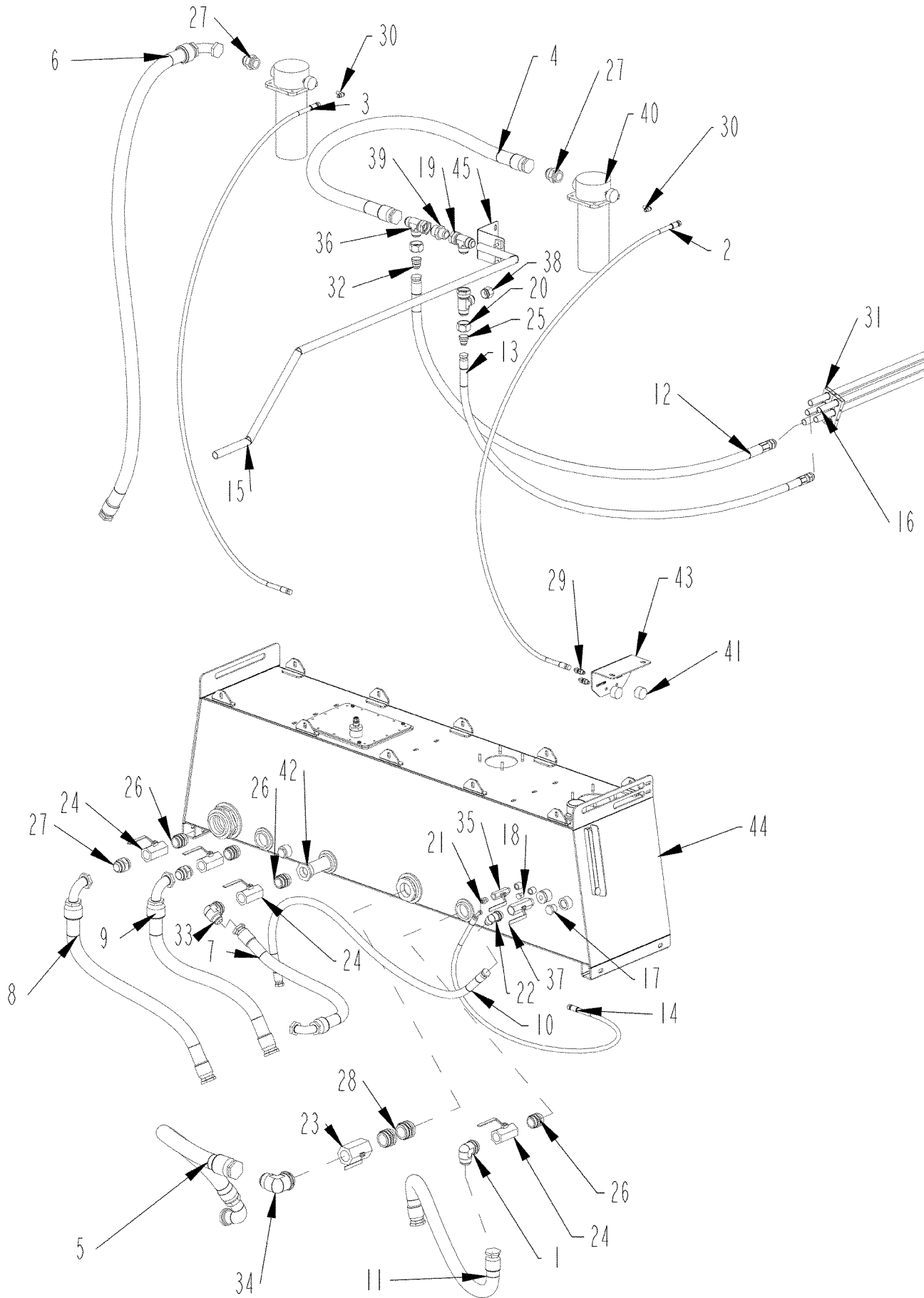
950 HP - RADIATOR



950 HP - RADIATOR

ITEM	PART	QTY.	PART DESCRIPTION
1	O900178	1	RAD\ENGI\AKG\950HP\ICAT
2	O900179	1	TANK\SURGE\RAD\AKG\950HP
3	3701142_HOSE_50	1	HOSE\HYD\3\8X97\9\16\FJIC45X9\16\FJICS BULKHEAD TO SCREEN MOTOR
4	3701142_HOSE_51	1	HOSE\HYD\3\8X97\9\16\FJIC45X9\16\FJICS BULKHEAD TO SCREEN MOTOR
5	3701190_HOSE_20	1	HOSE\HYD\3\4X64\1-5\16\MJICX1-1\16\FJIC\90 INNER FROM COOLER TUBELINE TO LOWER PORT IN RADIATOR
6	3701191_HOSE_21	1	HOSE\HYD\3\4X128\1-5\16\MJICX1-1\16\FJIC OUTER FROM COOLER TUBELINE TO UPPER PORT RADIATOR
7	3701202_HOSE_33	1	HOSE\HYD\1X60\1-5\16\FJICX1-5\16\FJIC 20 TUB COOLER TUBE LINE TO COOLER PORT TEE
8	3701203_HOSE_34	1	HOSE\HYD\1X51\1-5\16\FJICX1-5\16\FJIC LOWER PORT COOLER TEE TO PORT B THERMOSTATIC VALVE
9	3701204_HOSE_35	1	HOSE\HYD\1X16\1-5\16\FJICX1-5\16\FJIC\90 PORT C THERMOSTATIC VALVE TO UPPER PORT OF COOLER
10	3701213_HOSE_48	1	HOSE\HYD\3\8X154\3\4\MJICX9\16\FJIC SCREEN TUBELINE TO BULKHEAD
11	3701213_HOSE_49	1	HOSE\HYD\3\8X154\3\4\MJICX9\16\FJIC SCREEN TUBELINE TO BULKHEAD
12	3701236	1	TUBE\STL\1-1\4X.120WALLX72
13	3701237	2	TUBE\STL\1X.095 WALLX96
14	3701238	2	TUBE\STL\1\2X.049 WALLX96
15	3701239	1	TUBE\STL\1-1\4X.120 WALLX96
16	3800277	2	FTG\1-1\16\MORX1-1\16\MJIC\ST
17	3800486	2	FTG\1-5\8\FJICX1-5\8\MJICX1-5\8\MJIC\RUN;TEE
18	3800488	2	FTG\1-5\8\NUTFJICS
19	3800497	1	FTG\1-5\16\FJICX1-5\16\MJICX1-5\16\MJIC\RUN;TEE
20	3800529	2	FTG\7\8\MORX9\16\MJIC\ADPT
21	3800551	4	CLAMP\HOSE\1-1\4\4HOLES
22	3800552	8	CLAMP\HOSE\1-1\4\2HOLES
23	3800743	1	FTG\1-5\8\FJICX1-1\16\MJIC\ADPT
24	3800761	2	FTG\9\16\MJICX9\16\MJIC\BULKHEAD
25	3800798	4	CLAMP\HOSE\1-1\4\3HOLES
26	3800801	4	FTG\1-7\8\MORX1-5\16\MJIC\ST
27	3800808	1	FTG\1-7\8\MORX1-5\8\MJIC\ST
28	3800840	1	FTG\1-5\8\FJICX1-5\16\MJIC\ADPT
29	3800929	1	FTG\1-5\8\MJICX1-5\16\MJIC\UNION
30	3800932	1	FTG\1-7\8\FJICX1-7\8\MJICX1-7\8\MJIC\RUN;TEE
31	3800946	6	CLAMP\HOSE\1-1\4\4HOLES
32	3800956	1	FTG\1-5\8\FJICX3\4\MJIC
33	3800957	4	CLAMP\HOSE\1-1\4\4HOLES
34	3900031	1	MTR\HYD\101-1011\5.9CI
35	3900931	1	FTG\1-7\8\MJICX1-5\8\MJIC\UNION
36	4000317	1	VALVE\HYD\THERMO\3-WAY
37	7101082	1	VALVE\MNT\THERMO
38	7101137	1	BRCKT\LINE\OIL\REAR
39	7101138	1	BRCKT\LINE\OIL\MID

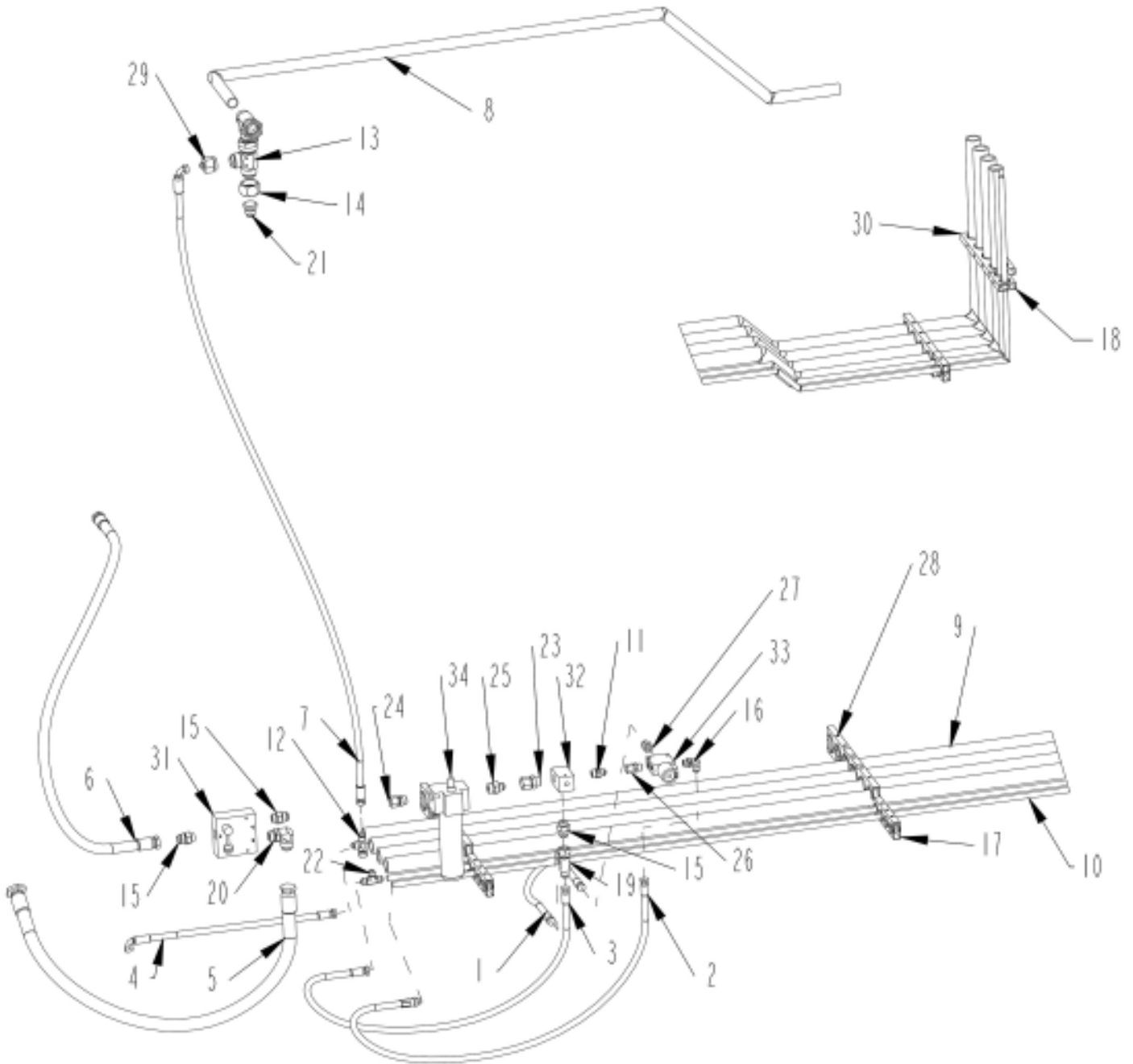
950 HP - HYDRAULIC TANK HYDRAULICS



950 HP - HYDRAULIC TANK HYDRAULICS

ITEM	PART	QTY.	PART DESCRIPTION
1	3800741	1	FTG\1-5/8MORX1-5/8MJIC\90
2	3700760_HOSE_84	1	HOSE\HYD\3/8X108\9/16FJICS FILTER HEAD ON OIL TANK TO GAUGE PANEL
3	3700760_HOSE_85	1	HOSE\HYD\3/8X108\9/16FJICS FILTER HEAD ON OIL TANK TO GAUGE ON PANEL
4	3701037_HOSE_39	1	HOSE\HYD\1-1/2X46\1-7/8FJICX1-7/8FJIC TEE'S ON UPPER COOLER RETURN -20 TUBE TO LEFT SIDE FILTER
5	3701122_HOSE_25	1	HOSE\HYD\2X28\2-1/2FJIC\2-1/2FLGX2-1/2BARB\HE\W\FR CENTER PORT OIL TANK TO CONVEYOR PUMP SUCTION PORT
6	3701173_HOSE_2	1	HOSE\HYD\1-1/2X119\1-7/8FJ90DEGX1-7/8FJIC TEE ON TUBELINE RETURN TO CENTER TANK FILTER
7	3701181_HOSE_11	1	HOSE\HYD\1-1/4X42\1-5/8FJICX1/5/8FJIC\90 CENTER -20 PORT OIL TANK TO SUCTION PORT PILOT PUMP
8	3701182_HOSE_12	1	HOSE\HYD\1-1/2X46\1-7/8FJ90DEGX1-7/8FJIC FRONT PORT TANDEM PUMP TO LARGEST PORT OF OIL TANK
9	3701183_HOSE_13	1	HOSE\HYD\1-1/2X44\1-7/8FJ90DEGX1-7/8FJIC REAR PORT PUMP TO -24 PORT RIGHT SIDE OIL TANK
10	3701196_HOSE_26	1	HOSE\HYD\3/4X57\1-1/16FJICX1-1/16FJIC CASE DRAIN CONVEYOR PUMP TO LEFT SIDE -16 OIL TANK PORT
11	3701198_HOSE_29	1	HOSE\HYD\1-1/2X41\1-7/8FJICX1-7/8FJIC SUCTION PORT AUX. PUMP TO LEFT -24 PORT OIL TANK
12	3701205_HOSE_36	1	HOSE\HYD\1X122\1-5/16MJICX1-5/16FJIC CONVEYOR RUN RETURN HOSE TUBELINE TO TEE'S ON TUBELINE
13	3701206_HOSE_37	1	HOSE\HYD\3/4X124\1-5/16MJICX1-1/16FJIC AUX VALVE RETURN TO TEE'S ON UPPER -20 TUBELINE
14	3701209_HOSE_40	1	HOSE\HYD\3/8X124\9/16FJICX9/16FJIC90 DP PORT TUB VALVE TO -8 PORT OF OIL TANK
15	3701236	1	TUBE\STL\1-1/4X.120WALLX72
16	3701237	5	TUBE\STL\1X.095 WALLX96
17	3800149	2	FTG\1MP\PLUG\HEX
18	3800360	1	FTG\1/2MP\PLUG\HEX
19	3800486	2	FTG\1-5/8FJICX1-5/8MJICX1-5/8MJIC\RUN;TEE
20	3800488	2	FTG\1-5/8NUTFJICS
21	3800530	1	FTG\3/4MORX9/16MJIC\ST
22	3800534	1	FTG\1-5/16MORX1-1/16MJIC\90
23	3800724	1	VALVE\BALL\2\2-1/2FOR\1/4 TURNW/LOCK
24	3800740	4	VALVE\BALL\1-1/2\1-7/8FOR\1/4 TURNW/LOCK
25	3800743	1	FTG\1-5/8FJICX1-1/16MJIC\ADPT
26	3800745	4	FTG\1-7/8MORX1-7/8MOR\ADPT
27	3800746	4	FTG\1-7/8MORX1-7/8MJIC\ST
28	3800751	2	FTG\2-1/2MORX2-1/2MOR\ADPT
29	3800761	2	FTG\9/16MJICX9/16MJIC\BULKHEAD
30	3800764	2	FTG\9/16MJICX3/8MP\90
31	3800798	12	CLAMP\HOSE\1-1/4\3HOLES
32	3800840	1	FTG\1-5/8FJICX1-5/16MJIC\ADPT
33	3800852	1	FTG\1-7/8MORX1-5/8MJIC\90
34	3800853	1	FTG\2-1/2MORX2-1/2MJIC\90
35	3800906	1	VALVE\BALL\3/4FOR\1/4 TURN
36	3800932	1	FTG\1-7/8FJICX1-7/8MJICX1-7/8MJIC\RUN;TEE
37	3800950	1	VALVE\BALL\16MOR\16FOR
38	3800956	1	FTG\1-5/8FJICX3/4MJIC
39	3900931	1	FTG\1-7/8MJICX1-5/8MJIC\UNION
40	4400043	2	FILTER\HYDRAULIC\RETURN\IN-TANK ELEMENT 4400074
41	4400066	2	GAUGE\FLTR\25PSI\1/8NPT
42	4400067	1	FLTR\SCRN\2-1/2MORX1-7/8FOR\30GPM\ST30-100-RV3
43	4704932	1	BRKT\GAUGE\FLTR
44	7100866	1	TANK\OIL\C27\32
45	7101137	1	BRCKT\LINE\OIL\REAR

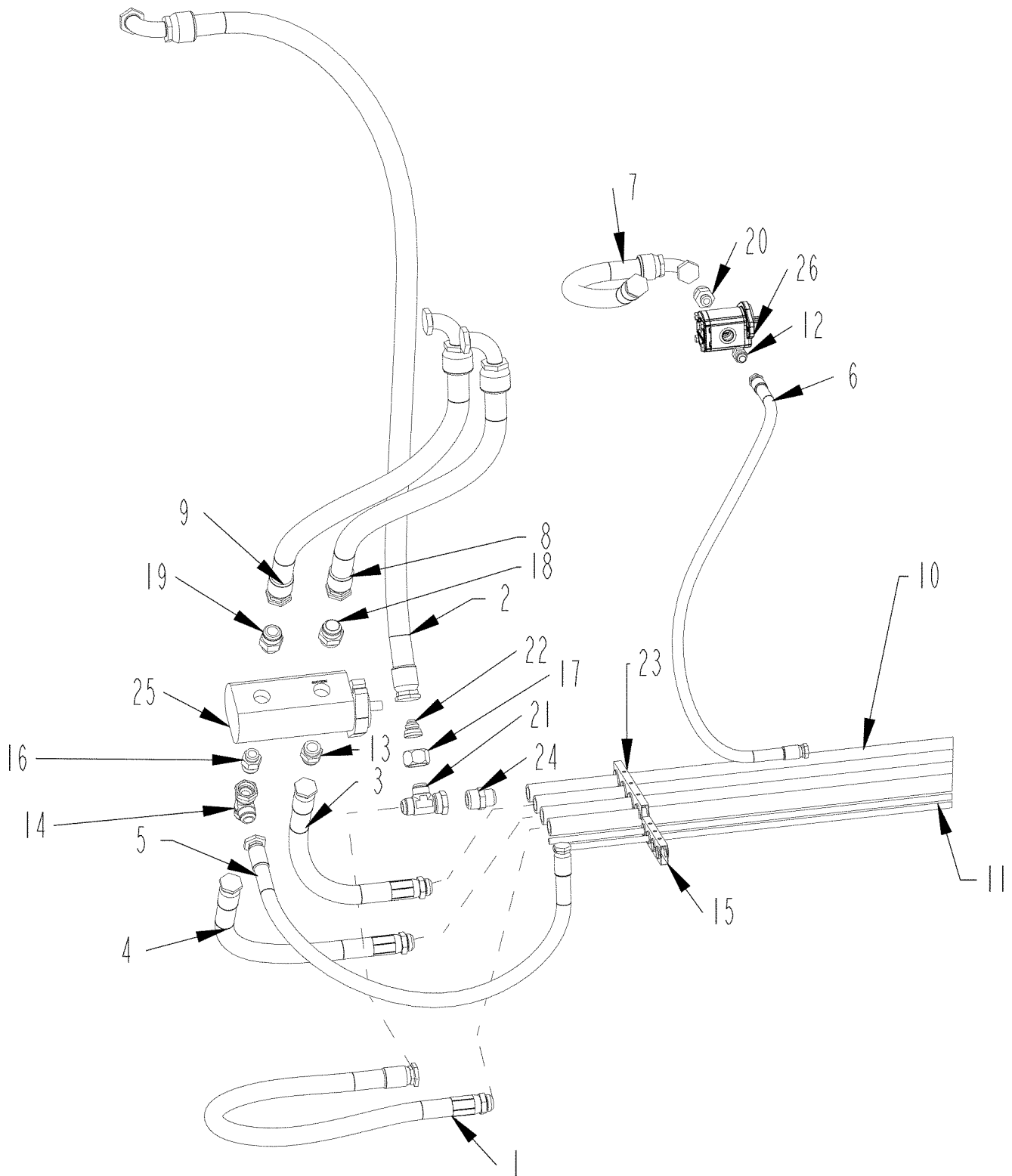
950 HP - LOADER HYDRAULICS VIEW #1



950 HP - LOADER HYDRALICS VIEW #1

ITEM	PART	QTY.	PART DESCRIPTION
1	3700937_HOSE_7	1	HOSE\HYD\3\8X16\9\16FJICS PILOT SYSTEM SAFETY OVER RIDE RETURN LOOP HOSE
2	3701176_HOSE_5	1	HOSE\HYD\3\8X55\3\4MJCX9\16FJC PRESSURE PORT PILOT SYSTEM TO RIGHT SIDE -8 HOODLOADER TUBELINE
3	3701177_HOSE_6	1	HOSE\HYD\3\8X49\9\16MJCX9\16FJIC TEE ON PILOT SYSTEM RETURN TO TEE ON LEFT SIDE -8 HOOD LOADER TUBELINE
4	3701178_HOSE_8	1	HOSE\HYD\3\8X31\3\4FJICX3\4FJIC\90 SCREEN RETURN TUBE TO LOADER PILOT SYSTEM RETURN TUBE JUMPER HOSE
5	3701178_HOSE_9	1	HOSE\HYD\3\8X31\3\4FJICX3\4FJIC\90 EX PORT PILOT SYSTEM TO TEE ON REAR PRESSURE PORT TANDEM PUMP
6	3701180_HOSE_10	1	HOSE\HYD\3\4X51\1-1\16FJICX1-1\16FJC PRESSURE PORT PILOT PUMP TO IN PORT PILOT FLOW CONTROL
7	3701207_HOSE_38	1	HOSE\HYD\1\2X93\3\4FJICSX3\4FJIC90 BRANCH OF -20 RETURN TEE'S UPPER COOLER TUBELINE TO TEE IN LINE FOR HOODLOADER/SCREEN MOTOR RETURN
8	3701236	1	TUBE\STL\1-1\4X.120WALLX72
9	3701241	4	TUBE\STL\1-1\4X.120WALLX148
10	3701242	2	TUBE\STL\1\2X.049WALLX148
11	3800328	1	FTG\7\8MORX3\4MJIC\ADPT
12	3800484	1	FTG\3\4FJICSX3\4MJICX3\4MJIC\RUN;TEE
13	3800486	2	FTG\1-5\8FJICX1-5\8MJICX1-5\8MJIC\RUN;TEE
14	3800488	1	FTG\1-5\8NUTFJICS
15	3800527	3	FTG\7\8MORX1-1\16MJIC\ST
16	3800537	1	FTG\3\4MORX3\4MJIC\90
17	3800551	4	CLAMP\HOSE\1-1\4\4HOLES
18	3800552	4	CLAMP\HOSE\1-1\4\2HOLES
19	3800670	1	FTG\1-1\16FJICX1-1\16MJICX1-1\16MJIC\RUN;TEE
20	3800734	1	FTG\1-1\16MORX1-5\16MJIC\90
21	3800743	1	FTG\1-5\8FJICX1-1\16MJIC\ADPT
22	3800766	1	FTG\3\4MJICX3\4MJICX3\4MJIC\TEE
23	3800803	1	FTG\1-1\16MORX1-1\16FJIC\SW
24	3800804	1	FTG\7\8MORX7\8FJIC\SW
25	3800805	1	FTG\7\8MJICX1-1\16MOR\ST
26	3800845	1	FTG\3\4MORX3\4FJIC\SW
27	3800849	1	FRG\3\4MORX7\8MJIC\ADPT
28	3800946	4	CLAMP\HOSE\1-1\4\4HOLES
29	3800956	1	FTG\1-5\8FJICX3\4MJIC
30	3800957	8	CLAMP\HOSE\1-1\4\4HOLES
31	4000274	1	VALVE\CONTROL\FLOW\30GPM\1-1\16FOR
32	4000275	1	VALVE\RELIEF\LOADER
33	4000315	1	VLV\HYD\SEL\24V\6GPM
34	4400101	1	FLTR\COMP\10MIC;ABS\>

950 HP - LOADER HYDRAULICS VIEW #2



950 HP - LOADER HYDRALICS VIEW #2

ITEM	PART	QTY.	PART DESCRIPTION
1	3701172_HOSE_1	1	HOSEHYD\1-1/4X42\1-5/8MJICX1-5/8FJIC OUTSIDE -20 TUBELINE TO -20 OUSTIDE TUBELINE (RETURN)
2	3701173_HOSE_2	1	HOSEHYD\1-1/2X119\1-7/8FJ90DEGX1-7/8FJC TEE ON TUBELINE RETUEN TO CENTER TANK FILTER
3	3701174_HOSE_3	1	HOSEHYD\1X32\1-5/8MJICX1-5/8FJIC RIGHT CENTER -20 PRESSURE TUBE TO FRONT PORT TANDEMPUMP
4	3701175_HOSE_4	1	HOSEHYD\1X37\1-5/8MJICX1-5/8FJIC LEFT CENTER -20 PRESSURE TUBE TO REAR PORT TANDEMPUMP
5	3701178_HOSE_9	1	HOSEHYD\3/8X31\3/4FJICX3/4FJIC\90 EX PORT PILOT SYSTEM TO TEE ON REAR PRESSURE PORT TANDEM PORT
6	3701180_HOSE_10	1	HOSEHYD\3/4X51\1-1/16FJXC1-1/16FJC PRESSURE PORT PILOT TO IN PORT PILOT FLOW CONTROL
7	3701181_HOSE_11	1	HOSEHYD\1-1/4X42\1-5/8FJICX1/5/8FJIC\90 CENTER-20 PORT OIL TANK TO SUCTION PORT PILOT PUMP
8	3701182_HOSE_12	1	HOSEHYD\1-1/2X46\1-7/8FJ90DEGX1-7/8FJC FRONT PORT TANDEM PUMP TO LARGEST PORT OF OIL TANK
9	3701183_HOSE_13	1	HOSEHYD\1-1/2X44\1-7/8FJ90DEGX1-7/8FJC REAR PORT TANDEM PUMP TO -24 PORT RIGHT SIDE OIL TANK
10	3701241	4	TUBE\STL\1-1/4X.120WALLX148
11	3701242	2	TUBE\STL\1/2X.049WALLX148
12	3800277	1	FTG\1-1/16MORX1-1/16MJIC\ST
13	3800470	1	FTG\1-5/8MORX1-5/8MJIC\ST
14	3800486	1	FTG\1-5/8FJICX1-5/8MJICX1-5/8MJIC\RUN;TEE
15	3800551	4	CLAMP\HOSE\1-1/4\4HOLES
16	3800710	1	FTG\1-5/16MORX1-5/8MJIC\ST
17	3800744	1	FTG\1-7/8NUT\FJICS
18	3800746	1	FTG\1-7/8MORX1-7/8MJIC\ST
19	3800836	1	FTG\1-5/8MORX1-7/8MJIC\ST
20	3800837	1	FTG\1-1/16MORX1-5/8MJIC\ST
21	3800932	1	FTG\1-7/8FJICX1-7/8MJICX1-7/8MJIC\RUN;TEE
22	3800933	1	FTG\1-7/8FJICX1-5/8MJIC\ADPT
23	3800957	8	CLAMP\HOSE\1-1/4\4HOLES
24	3900931	1	FTG\1-7/8MJICX1-5/8MJIC\UNION
25	4200127	1	PUMP\HYD\35/25/RH\PLP-
26	4200129	1	PUMP\HYD\1.58/RH\PLP20-25DO03S1LODOCNEL

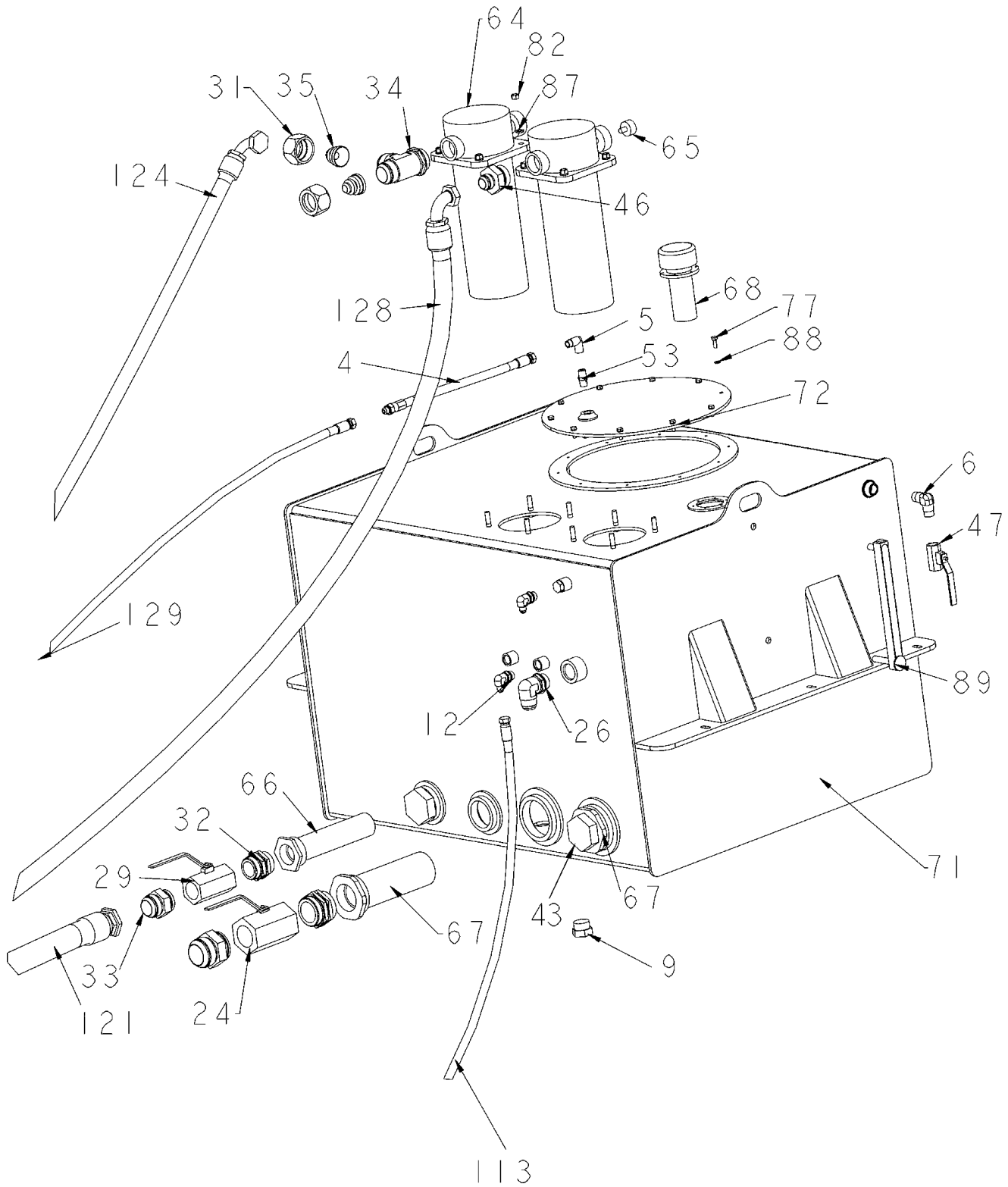


Clearing the Way for a Better Tomorrow

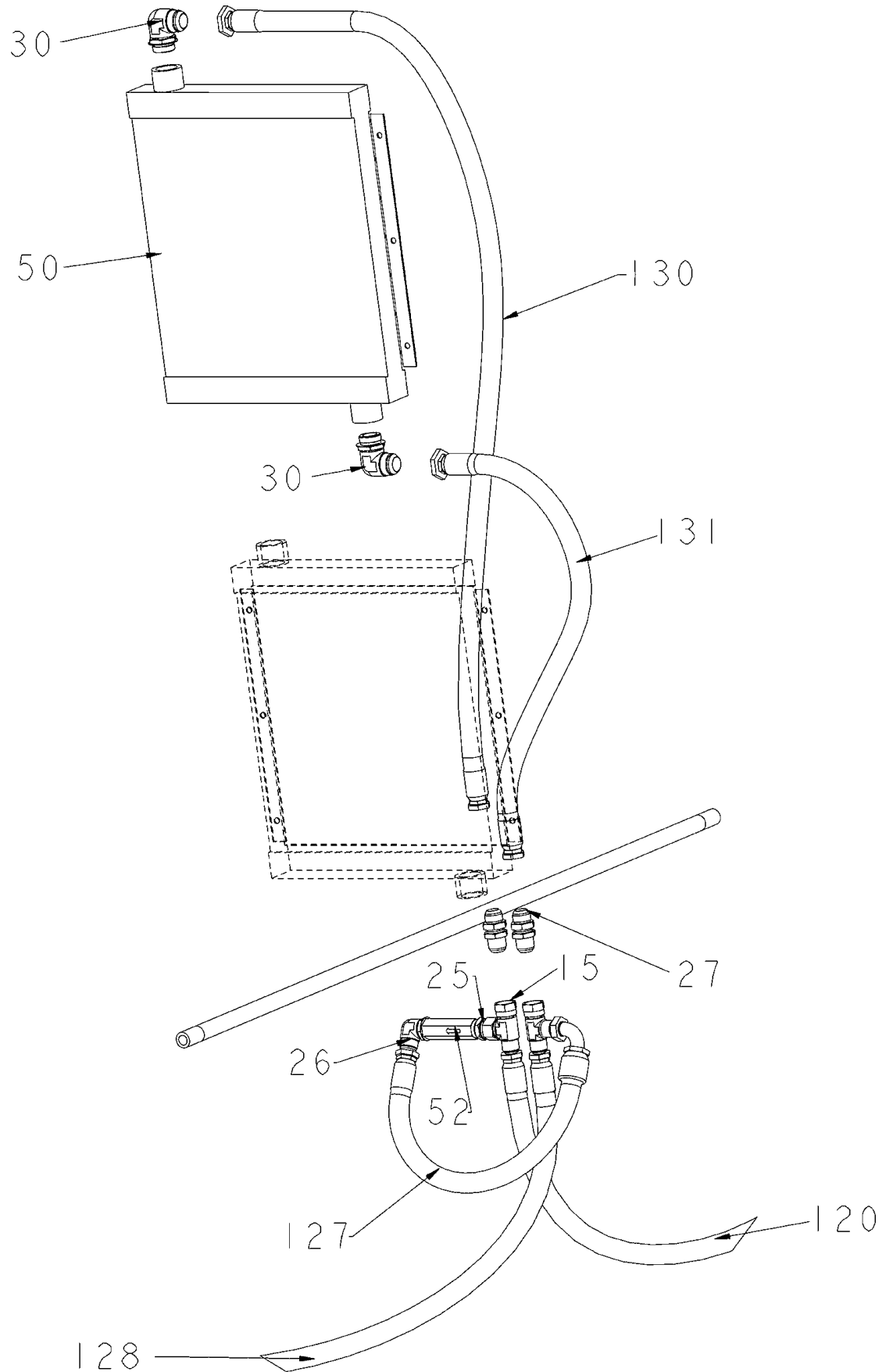
HYDRAULIC PARTS - "TUB DRIVE AND AUXILIARY"



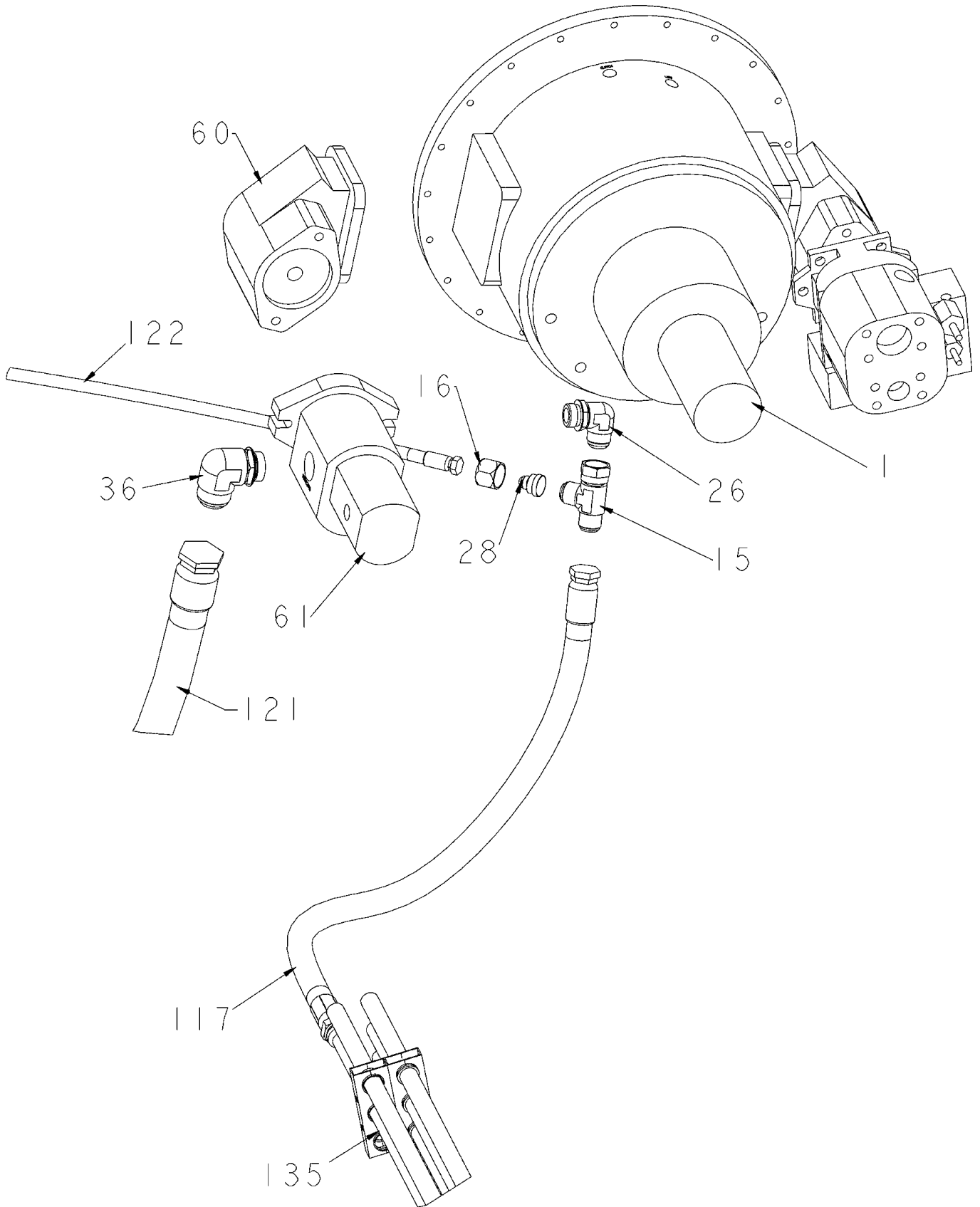
HYDRAULIC PARTS - HYDRAULIC TANK



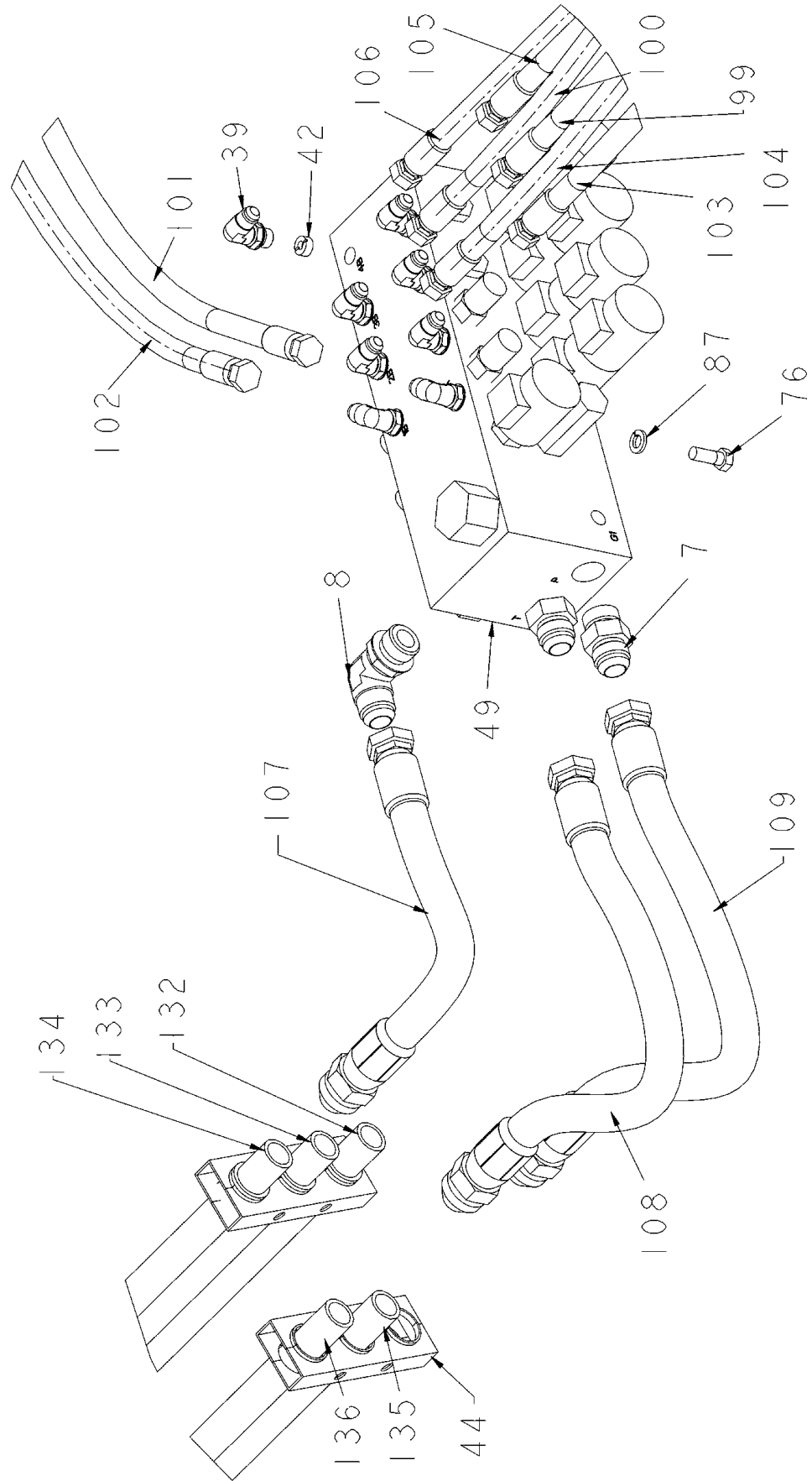
HYDRAULIC PARTS - HYDRAULIC COOLER



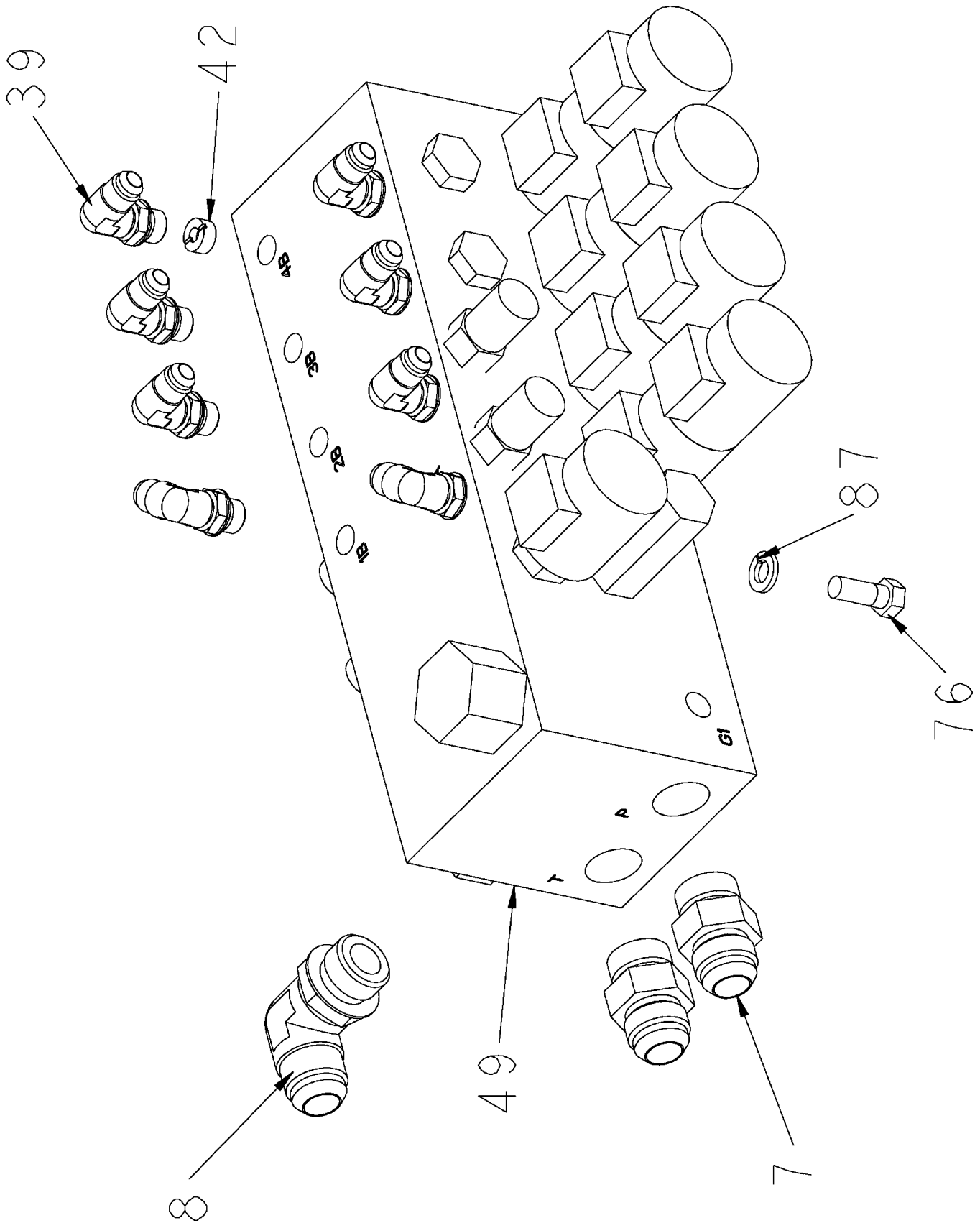
HYDRAULIC PARTS - HYDRAULIC PUMP ASSEMBLY



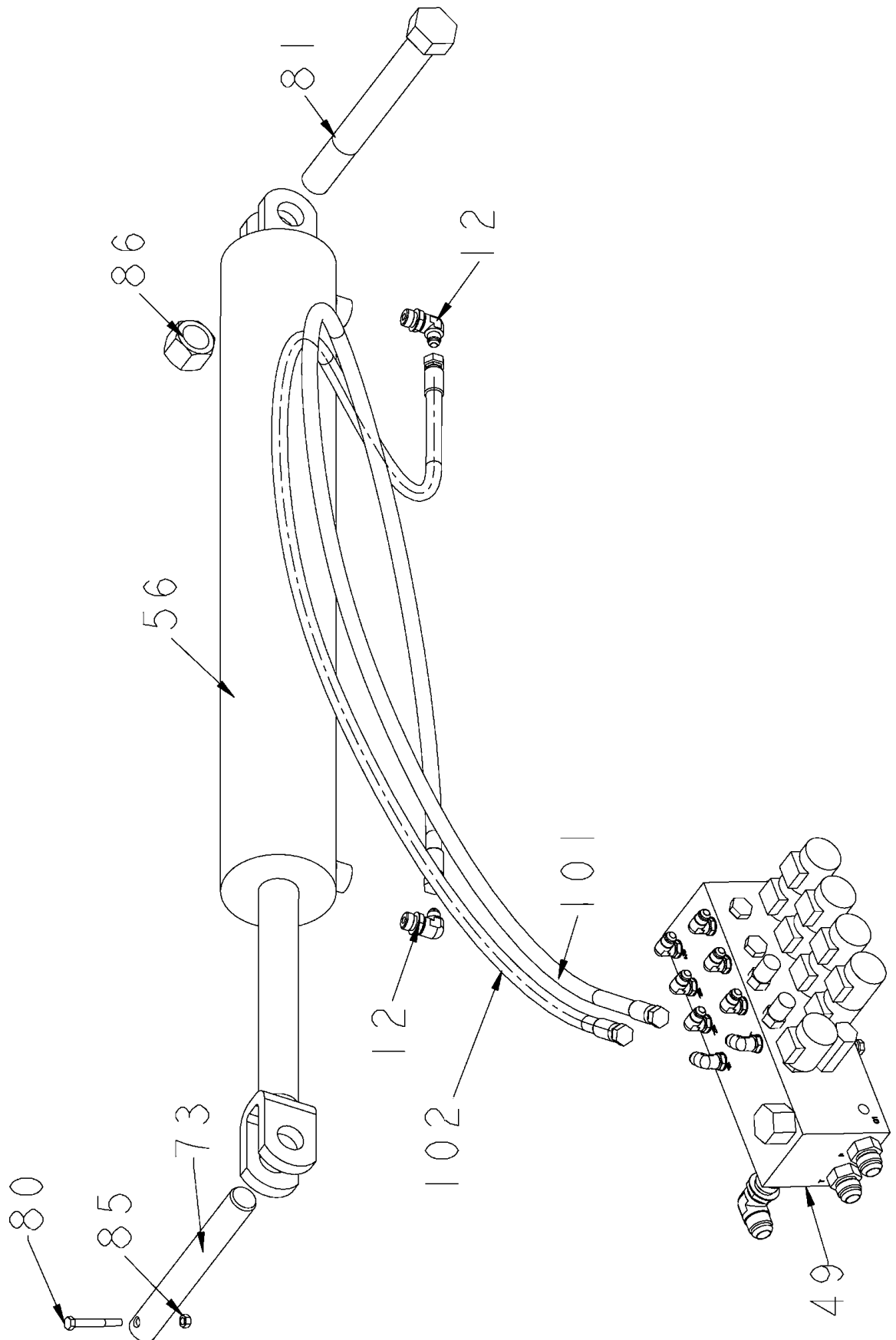
HYDRAULIC PARTS - AUXILIARY VALVE SUPPLY HOSES



HYDRAULIC PARTS - AUXILIARY VALVE

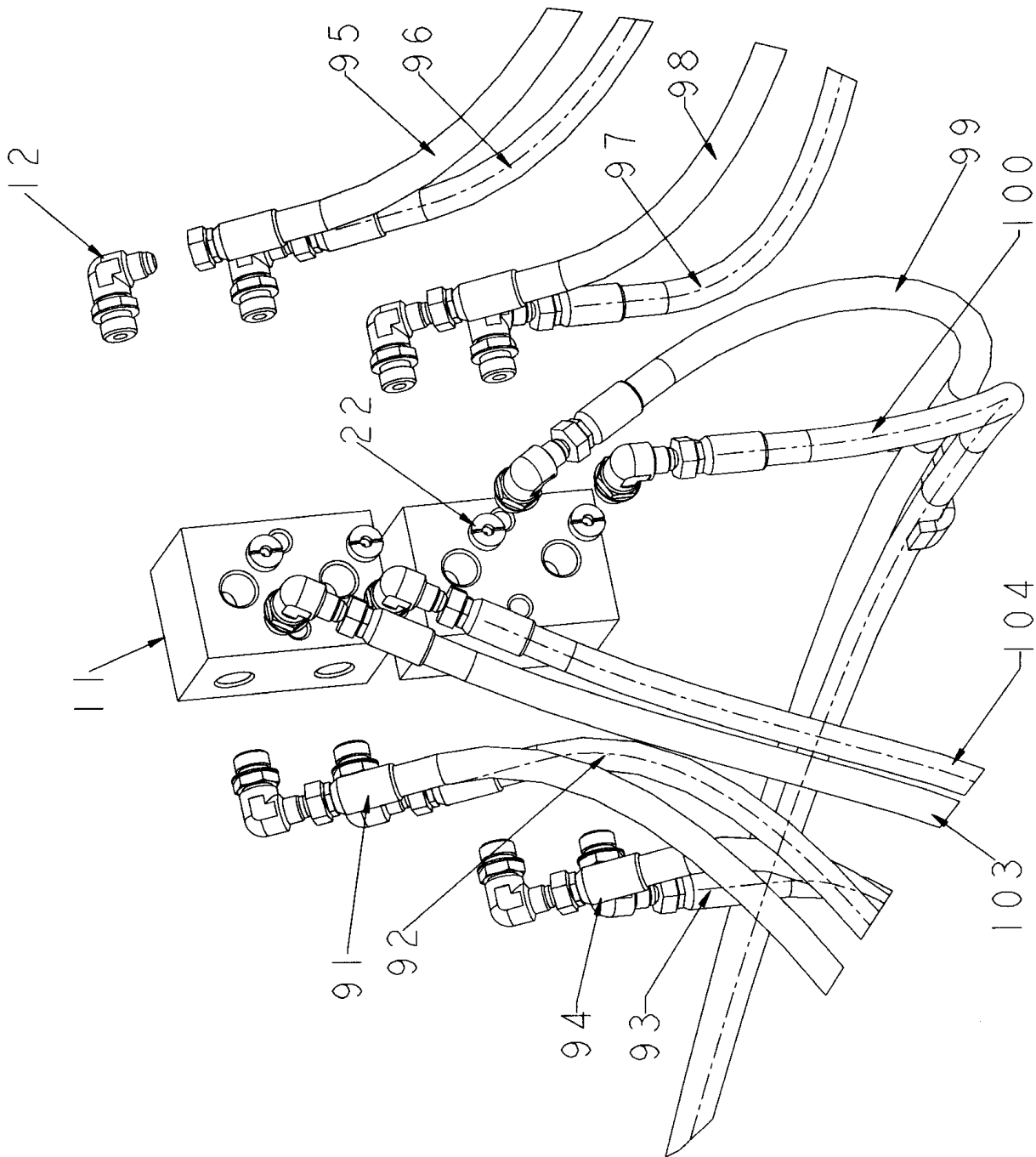


HYDRAULIC PARTS - PLATFORM CYLINDER

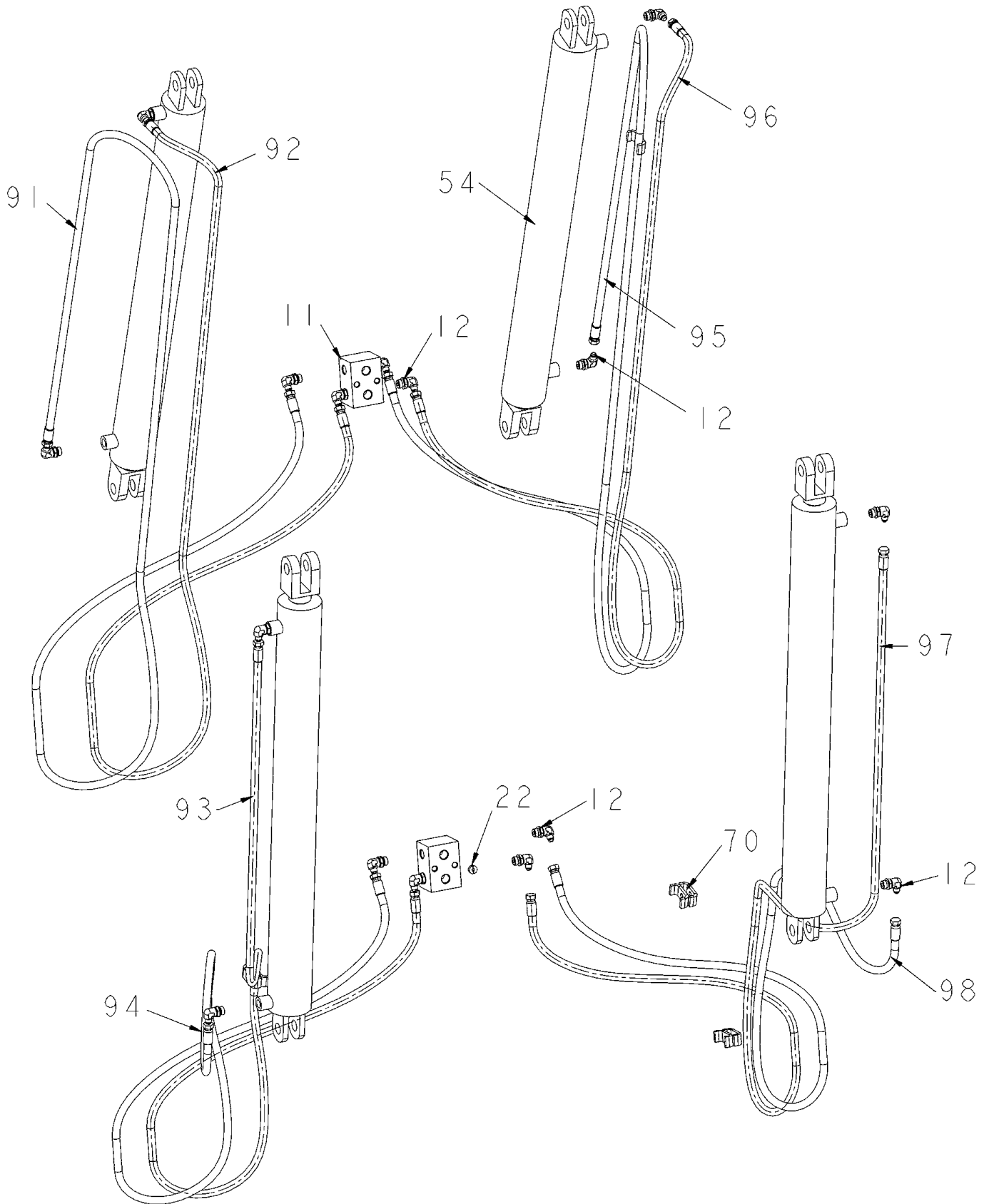


4012 TUB GRINDER PARTS REFERENCE

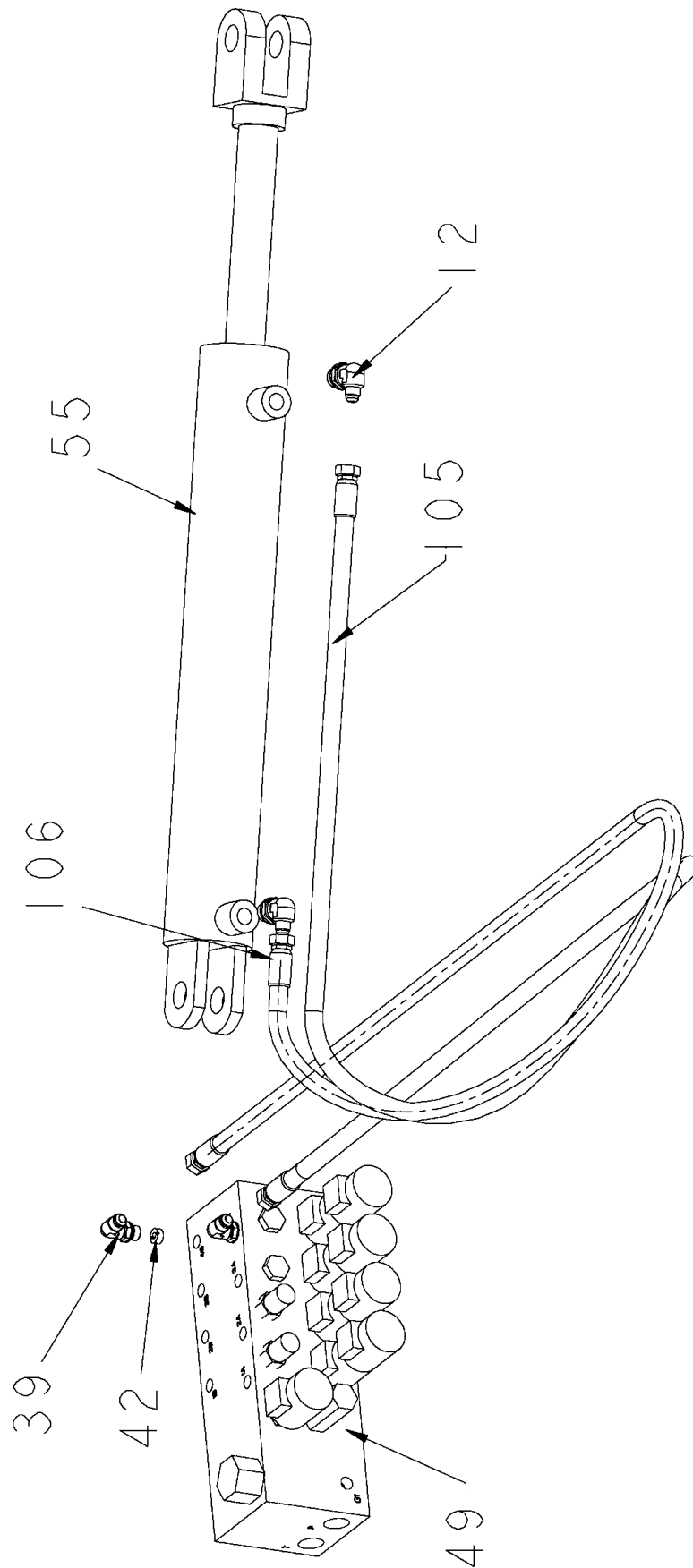
HYDRAULIC PARTS - MANIFOLD BLOCKS



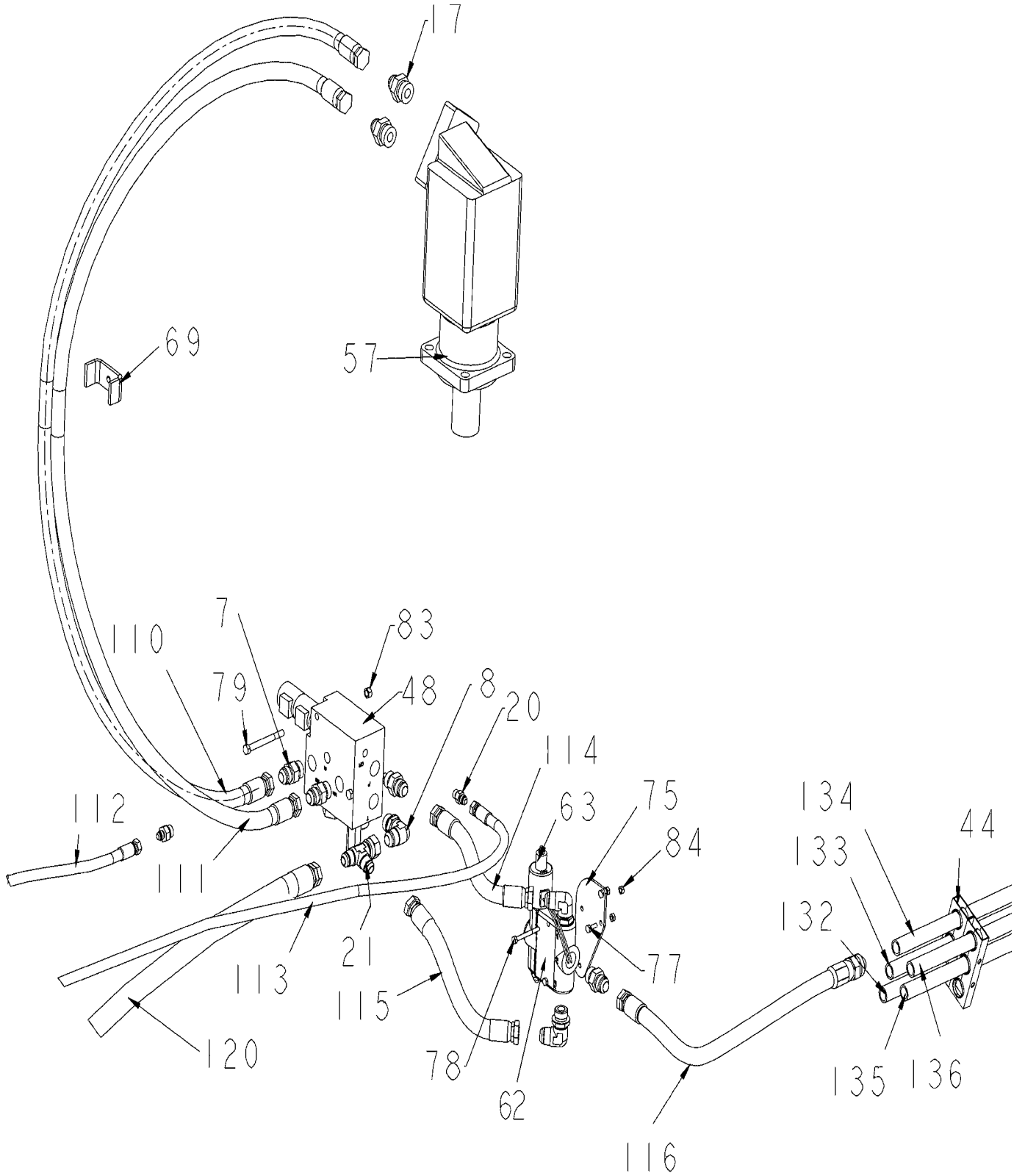
HYDRAULIC PARTS - LIFT AND FOLD CYLINDERS



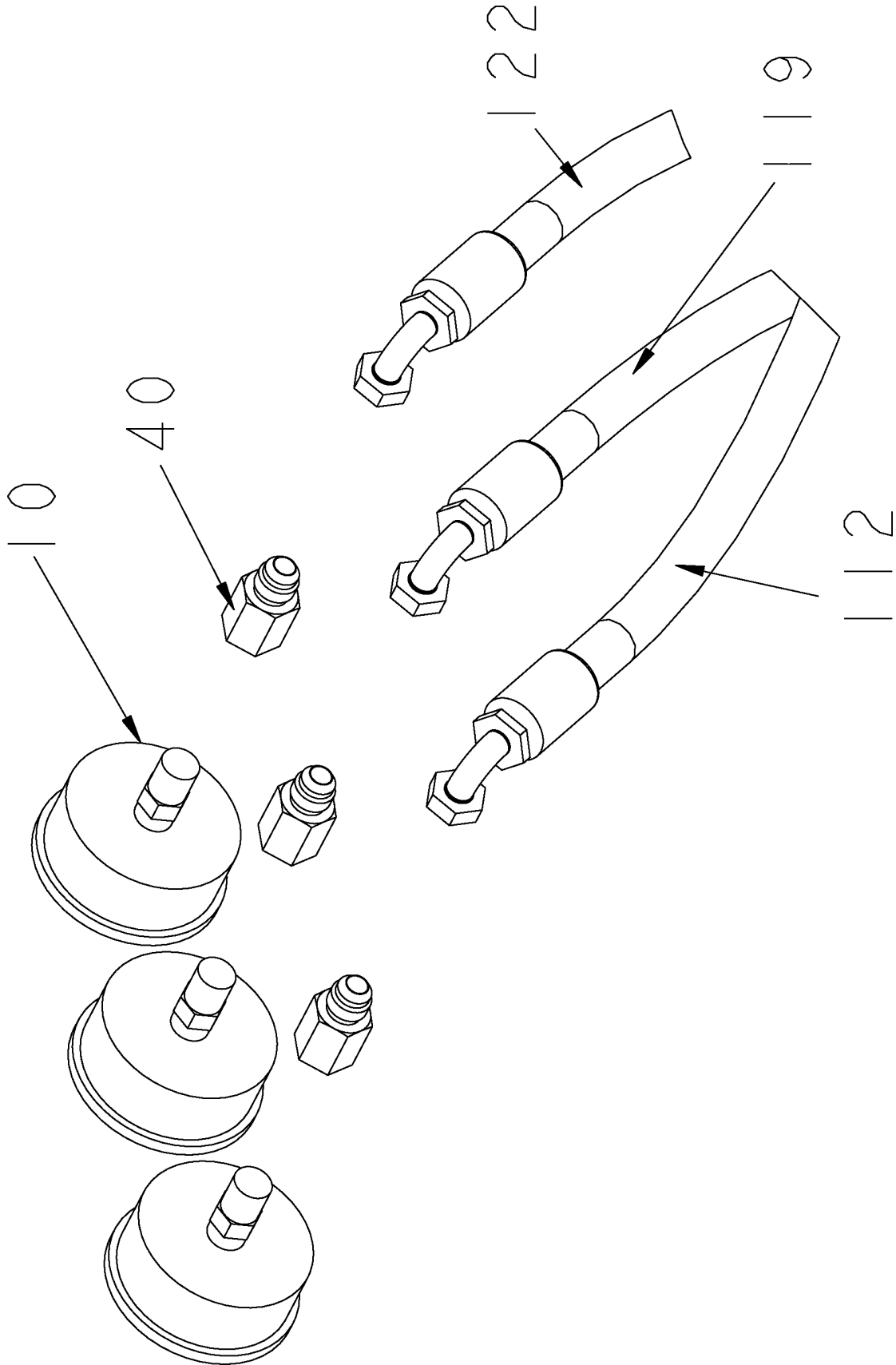
HYDRAULIC PARTS - SWING CYLINDER



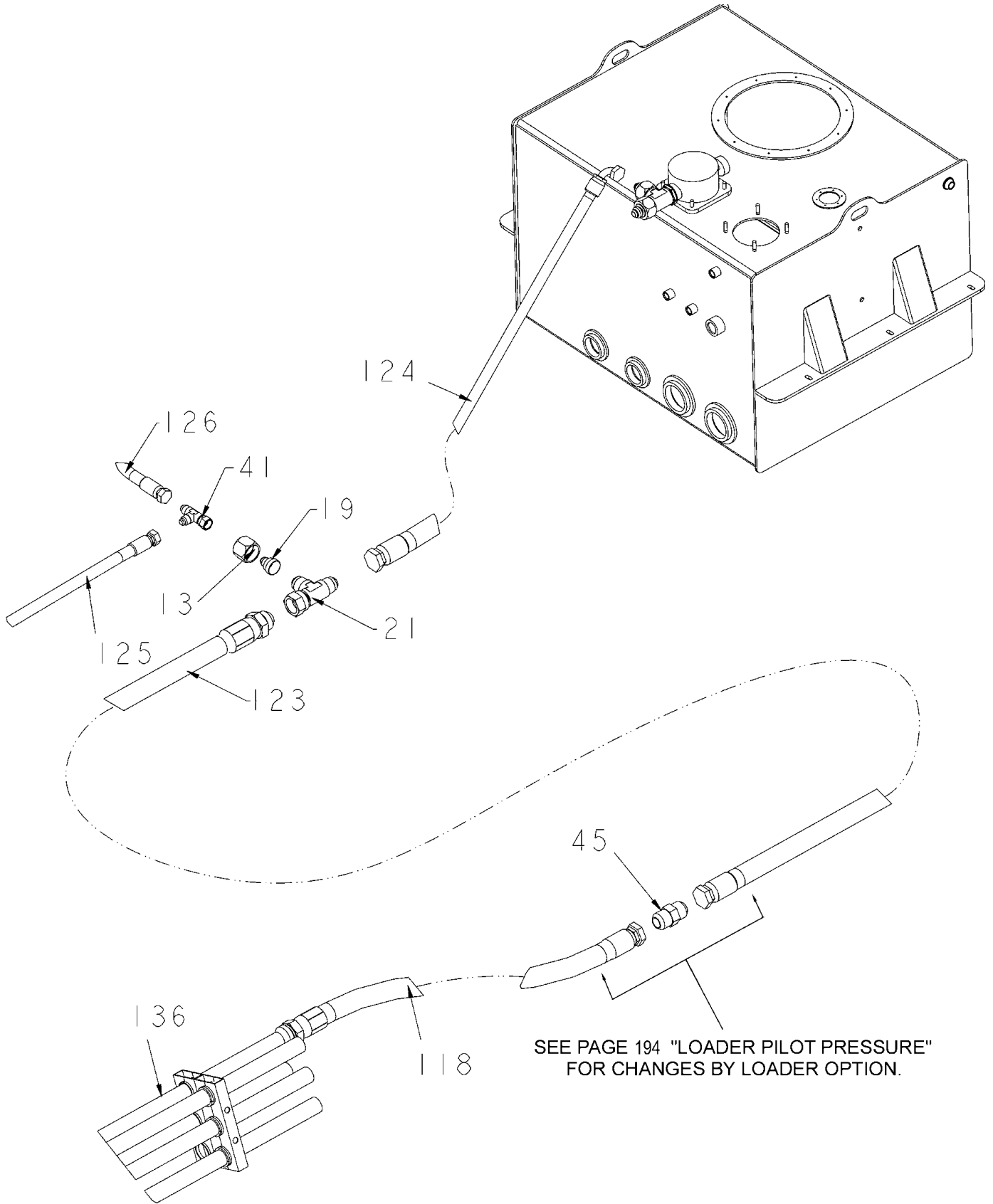
HYDRAULIC PARTS - TUB DRIVE



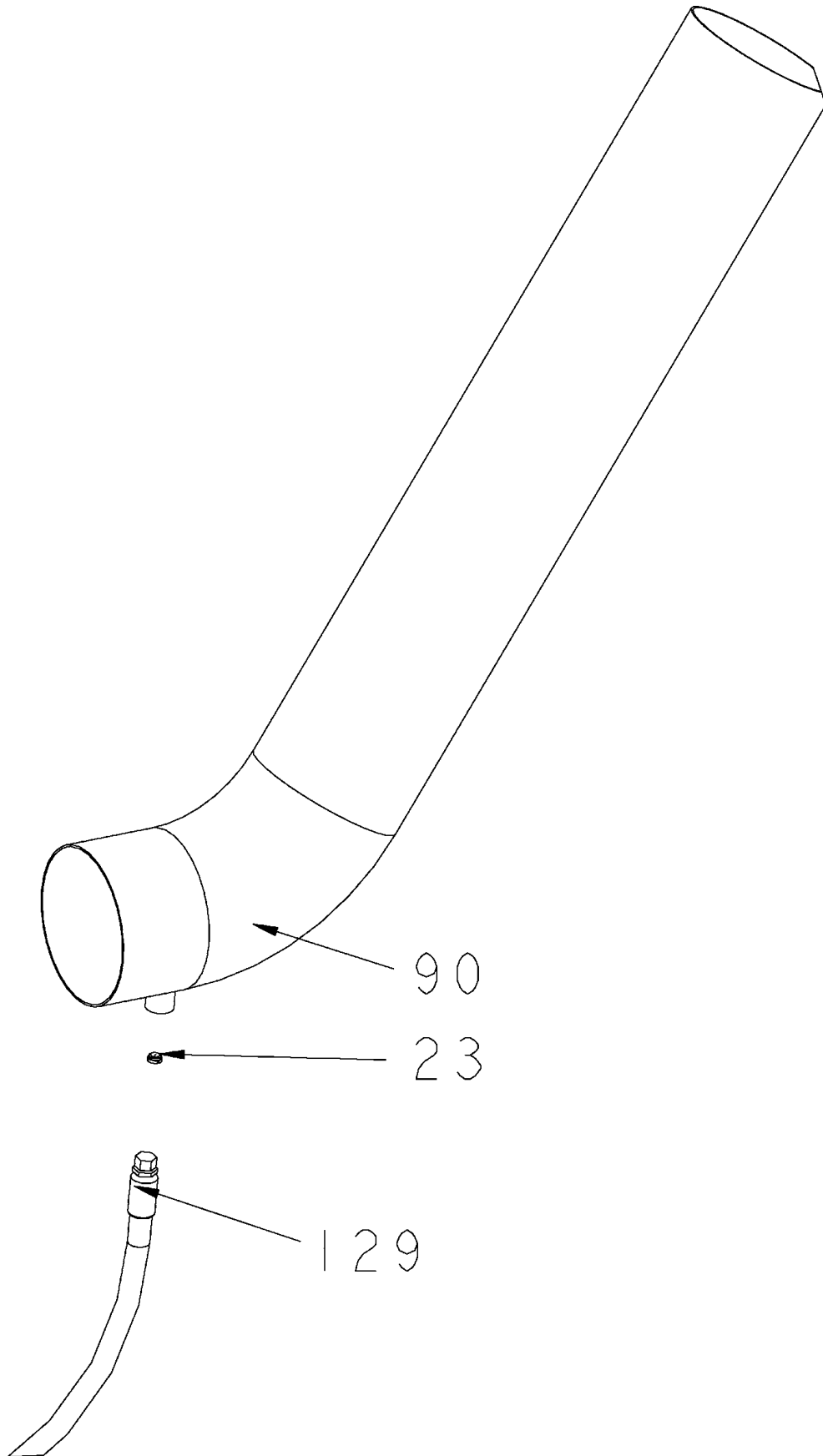
HYDRAULIC PARTS - PRESSURE GAUGES



HYDRAULIC PARTS - TANK RETURN CIRCUIT WITHOUT LOADER



HYDRAULIC PARTS - TANK AIR PRESSURE LINE



HYDRAULIC PARTS - TUB AND AUXILIARY PARTS LIST

ITEM	PART	QTY.	PART DESCRIPTION
1	900121	1	CLUTCH\HPTO\14\DD
2	3700612	1	HOSE\KIT\MAIN\4012
3	3700614	1	HOSE\KIT\TUBE\4012
4	3700663	1	HOSE\HYD\3/8X24\3/8FPX9\16MJIC
5	3800031	1	FTG\3/8MPX3/8FP\90\ST;EL
6	3800085	1	FTG\1/2MP\90DM;ELL
7	3800277	6	FTG\1-1/16MORX1-1/16MJIC\ST
8	3800279	4	FTG\1-1/16MORX1-1/16MJIC\90
9	3800301	1	FTG\1-5/16MOR\PLUG\HEX
10	3800381	3	GAUGE\3000PS\REAR STEM
11	3800428	2	MNFLD\DBL;TEE\BLK\3/4FOR
12	3800538	2	FTG\7/8MORX9\16MJIC\90
12	3800453	26	FTG\3/4MORX9\16MJIC\90
13	3800462	1	FTG\1-1/16NUTFJICS
14	3800490	1	FTG\3/4MOR\PLUG\HEX
15	3800497	3	FTG\1-5/16FJICX1-5/16MJICX1-5/16MJIC\RUN;TEE
16	3800499	1	FTG\1-5/16NUTFJICS
17	3800526	2	FTG\1-5/16MORX1-1/16MJIC\ST
18	3800530	1	FTG\3/4MORX9\16MJIC\ST
19	3800542	1	FTG\1-1/16FJICX9\16MJIC\ADPT
20	3800631	1	FTG\9/16MORX9\16MJIC\ST
21	3800670	2	FTG\1-1/16FJICX1-1/16MJICX1-1/16MJIC\RUN;TEE
22	3800683	4	FTG\3/4MOR\ORFICE\0.0490"
23	3800716	1	FTG\7/16MOR\ORFICE\0.030
24	3800724	1	VALVE\BALL\2\2-1/2FOR\1/4 TURNW/LOCK
25	3800727	1	FTG\1/5/16MORX1-5/16FJIC\SW
26	3800728	3	FTG\1-5/16MORX1-5/16MJIC\90
27	3800733	2	FTG\1-5/16MJICX1-5/16MJC\BULKHEAD
28	3800738	1	FTG\1-5/16FJICX3/4MJIC\ADPT
29	3800740	1	VALVE\BALL\1-1/2\1-7/8FOR\1/4 TURNW/LOCK
30	3800741	2	FTG\1-5/8MORX1-5/8MJIC\90
31	3800744	2	FTG\1-7/8NUTFJICS
32	3800745	1	FTG\1-7/8MORX1-7/8MOR\ADPT
33	3800746	1	FTG\1-7/8MORX1-7/8MJIC\ST
34	3800747	1	FTG\1-7/8MORX1-7/8MJICX1-7/8MJIC\RUN;TEE
35	3800748	2	FTG\1-7/8FJICX1-5/16MJIC\ADPT
36	3800749	1	FTG\1-5/8MORX1-7/8MJIC\90
37	3800751	1	FTG\2-1/2MORX2-1/2MOR\ADPT
38	3800752	1	FTG\2-1/2MORX2-1/2MJIC\ST
39	3800757	8	FTG\9/16MORX9\16MJIC\90
40	3800758	3	FTG\9/16MJICX1/4FP\ADPT
41	3800759	1	FTG\9/16FJICSX9\16MJICX9\16MJIC\RUN;TEE
42	3800772	1	FTG\9/16MOR\ORFC\0.0320"
43	3800774	2	FTG\2-1/2MOR\PLUG
44	3800798	12	CLAMP\HOSE\1-1/4\3HOLES
45	3800800	1	FTG\1-1/16MJIC\UNION
46	3800801	1	FTG\1-7/8MORX1-5/16MJIC\ST
47	4000193	1	VALVE\BALL\1/2\LW\BRS
48	4000207	1	VLV\HYD\TUB\BLK\MFLD

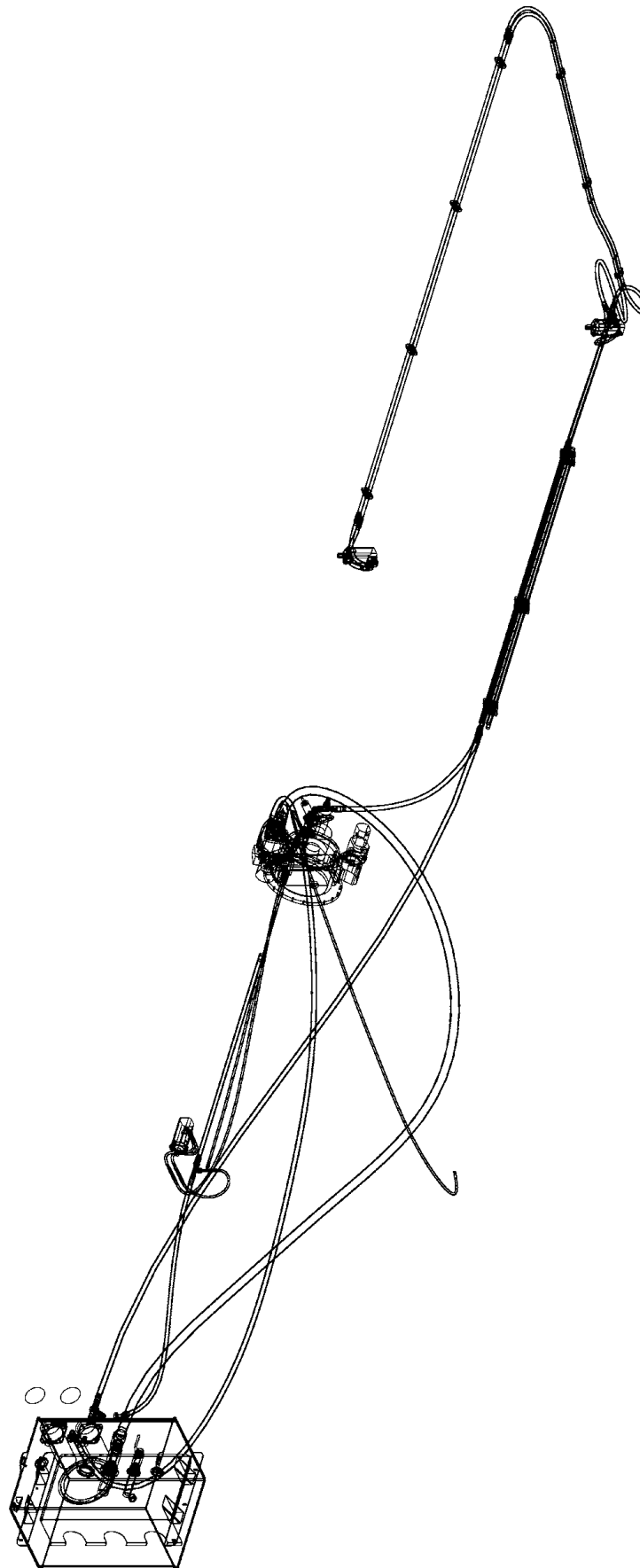
HYDRAULIC PARTS - TUB AND AUXILIARY PARTS LIST

ITEM	PART	QTY.	PART DESCRIPTION
49	4000210	1	VLV\HYD\AUX\BLK\MFLD
50	4000219	2	RAD\HYD\23X19\1-1/16"-1
52	4000232	1	VALVE\RELIEF\65PSI\16PRT
53	4000286	1	VALVE\CHECK\3/8MPX3/8MP
54	4100220	4	CYL\HYD\3X24\1-1/2RD\WELD
55	4100221	1	CYL\HYD\3X18\PERP\
56	4100234	1	CYL\HYD\4-1/2X30\1-1/4PINS
57	4200035	1	MTR\HYD\1191031-003
58	4200073	1	PUMP\HYD\75ML\LOAD;SENSE
59	4200080	1	PUMP\DRIVE\RH\B for 650 HP Engine
59	4200102		PUMP\DRIVE\RH\B\8-BOLT for 860 HP Engine
60	4200081	1	PUMP\DRIVE\LH\B for 650 HP Engine
60	4200103		PUMP\DRIVE\LH\B\8-BOLT for 860 HP Engine
61	4200108	1	PUMP\HYD\3.15X1.27\SAE-B
62	4300072	1	VALVE\SERVO\30GPM\24V
63	4300074	1	VALVE\SOLENOID\24V\BRAND
64	4400043	2	FILTER\HYDRAULIC\RETURN\IN-TANK ELEMENT 4400048
65	4400066	2	GAUGE\FLTR\25PSI\1/8NPT
66	4400067	1	FLTR\SCRN\2-1/2MORX1-7/8FOR\30GPM\ST30-100-RV3
67	4400068	2	FLTR\SCRN\3-3/8MORX2-1/2FOR\50GPM\100MESH
68	4400071	1	VENT\W\LOCK\CAP\HYD
69	4500893	1	CLMP\HOSE\3/4
70	4700776	12	CLMP\HOSE\3/8
71	4703332	1	TANK\HYD\4012
72	4703396	1	CAP\CLEAN-OUT\TANK\HYD
73	4703442	1	PIN\1-1/4\CYL\HYD\PLTFRM
74	4703575	1	TANK\ASSY\HYD\4012
75	4703836	1	BRKT\VALVE\BRAND\UPGRADE
76	4800003	4	BOLT\HEX\3/8X1
77	4800024	12	BOLT\HEX\1/4X3/4
78	4800101	2	BOLT\HEX\1/4X2-1/2
79	4800516	2	BOLT\HEX\3/8X3-3/4\NC
80	4800570	1	BOLT\HEX\5/16X2-1/2
81	4800933	1	BOLT\HEX\1-1/4X11\GR5\NC
82	4900002	8	NUT\HEX\3/8\NC
83	4900023	2	NUT\TPLCK\3/8\NC
84	4900084	4	NUT\TPLCK\1/4\NC
85	4900099	1	NUT\TPLCK\5/16\GR8\NC
86	4900135	1	NUT\NYLCK\1-1/4\NC
87	5000019	12	WASH\LOCK\3/8
88	5000024	10	WASH\LOCK\1/4
89	7500615	1	GAUGE\LEVEL\10W\THERMOMETER
90	7500957	1	TUBE\RD\5\45DEG\CAC

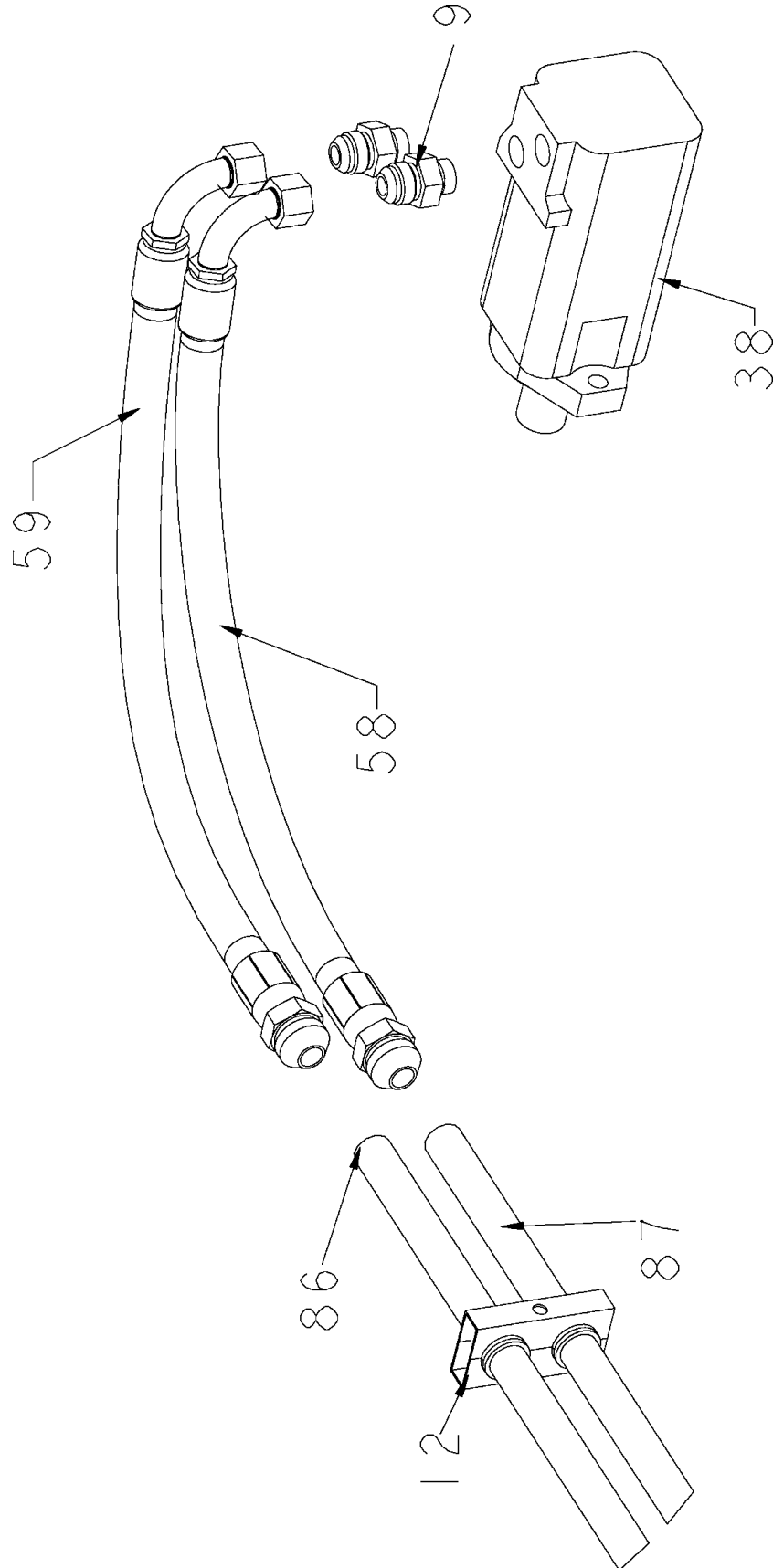
HYDRAULIC PARTS - TUB AND AUXILIARY PARTS LIST

ITEM	PART	QTY.	PART DESCRIPTION
91	HOSE_6_4012_MAIN	1	TOP UPPER MANIFOLD TO LEFT LIFT CYL ROD
92	HOSE_7_4012_MAIN	1	BOTTOM UPPER MANIFOLD TO LEFT LIFT CYL BUTT
93	HOSE_8_4012_MAIN	1	BOTTOM LOWER MANIFOLD TO LEFT FOLD CYL ROD
94	HOSE_9_4012_MAIN	1	TOP LOWER MANIFOLD TO LEFT FOLD CYL BUTT
95	HOSE_10_4012_MAIN	1	TOP UPPER MANIFOLD TO RIGHT LIFT CYL ROD
96	HOSE_11_4012_MAIN	1	BOTTOM UPPER MANIFOLD TO RIGHT LIFT CYL BUTT
97	HOSE_12_4012_MAIN	1	BOTTOM LOWER MANIFOLD TO RIGHT FOLD CYL ROD
98	HOSE_13_4012_MAIN	1	TOP LOWER MANIFOLD TO RIGHT FOLD CYL BUTT
99	HOSE_14_4012_MAIN	1	AUX VALVE '3A' TO TOP OF LOWER MANIFOLD
100	HOSE_15_4012_MAIN	1	AUX VALVE '3B' TO BOTTOM OF LOWER MANIFOLD
101	HOSE_16_4012_MAIN	1	AUX VALVE '1A' TO ROD END TUB TILT CYL
102	HOSE_17_4012_MAIN	1	AUX VALVE '1B' TO BUTT END TUB TILT CYL
103	HOSE_18_4012_MAIN	1	AUX VALVE '2A' TO TOP OF UPPER MANIFOLD
104	HOSE_19_4012_MAIN	1	AUX VALVE '2B' TO BOTTOM OF UPPER MANIFOLD
105	HOSE_20_4012_MAIN	1	AUX VALVE '4A' TO ROD END SWING CYL
106	HOSE_21_4012_MAIN	1	AUX VALVE '4B' TO BUTT END SWING CYL
107	HOSE_22_4012_MAIN	1	AUX VALVE 'MP' TO TUBE 3
108	HOSE_23_4012_MAIN	1	AUX VALVE 'T' TO TUBE 5
109	HOSE_24_4012_MAIN	1	PUMP DISCHARGE - TUBE 4 TO PORT 'P' AUX VALVE
110	HOSE_26_4012_MAIN	1	TUB VALVE 'MB' TO TUB ORBIT MOTOR
111	HOSE_27_4012_MAIN	1	TUB VALVE 'MA' TO TUB ORBIT MOTOR
112	HOSE_28_4012_MAIN	1	TUB VALVE 'G1' TO GAUGE
113	HOSE_29_4012_MAIN	1	TUB VALVE 'DR' TO TANK
114	HOSE_30_4012_MAIN	1	GOV VALVE 'CF' TO TUB VALVE 'P'
115	HOSE_31_4012_MAIN	1	GOV VALVE 'EX' TO TUB VALVE 'T'
116	HOSE_32_4012_MAIN	1	TUBE 3 TO GOV VALVE 'IN'
117	HOSE_34_4012_MAIN	1	PUMP DISCHARGE - PUMP TO TUBE 4
118	HOSE_36_4012_MAIN	1	TUBE 5 TO HOSE 65
119	HOSE_51_4012_MAIN	1	CONV PRESS HOSE 49 TO PRESS GAUGE
120	HOSE_57_4012_MAIN	1	TUB VALVE 'T' TO COOLER BULKHEAD
121	HOSE_60_4012_MAIN	1	PUMP SUCTION TANK TO PUMP
122	HOSE_61_4012_MAIN	1	AUX PRESSURE PUMP TO GAUGE
123	HOSE_65_4012_MAIN	1	HOSE 36 TO HOSE 66
124	HOSE_66_4012_MAIN	1	HOSE 65 TO TANK
125	HOSE_67_4012_MAIN	1	SCREEN MOTOR PRESSURE RELIEF
126	HOSE_69_4012_MAIN	1	SCREEN MOTOR RETURN CIRCUIT
127	HOSE_71_4012_MAIN	1	COOLER BYPASS CIRCUIT
128	HOSE_72_4012_MAIN	1	COOLER BULKHEAD TO TANK
129	HOSE_75_4012_MAIN	1	AIR PRESSURE FOR TANK
130	HOSE_77_4012_MAIN	1	BULKHEAD TO COOLER INLET
131	HOSE_78_4012_MAIN	1	COOLER OUTLET TO BULKHEAD
132	TUBE_1_4012_MAIN	1	CONV RETURN HOSE 81 TO HOSE 33
133	TUBE_2_4012_MAIN	1	CONV PRESS HOSE 35 TO HOSE 5
134	TUBE_3_4012_MAIN	1	HOSE 22 TO HOSE 32
135	TUBE_4_4012_MAIN	1	PUMP DISCHARGE - HOSE 34 TO HOSE 24
136	TUBE_5_4012_MAIN	1	HOSE 23 TO HOSE 36

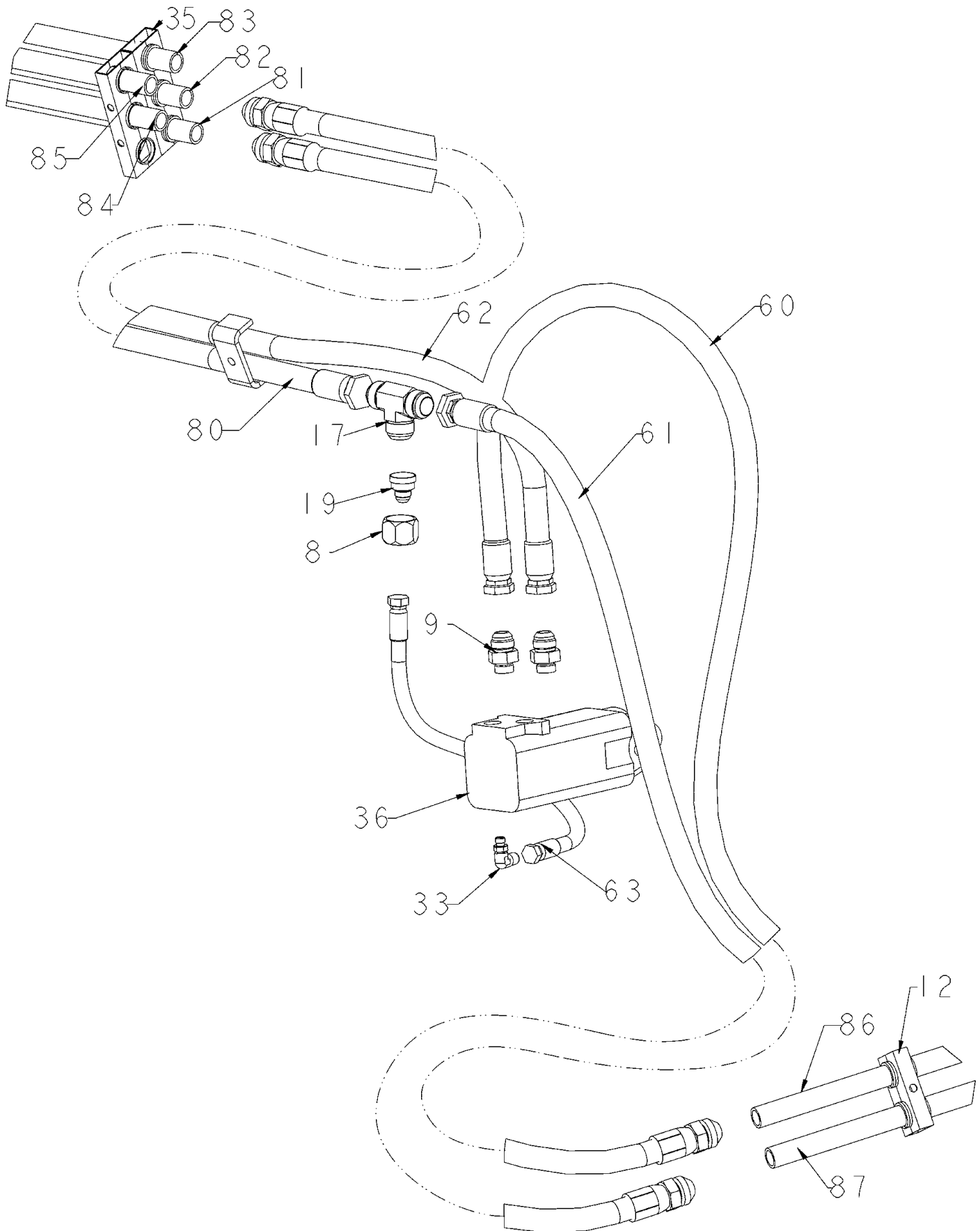
HYDRAULIC PARTS - "CONVEYOR SYSTEM"



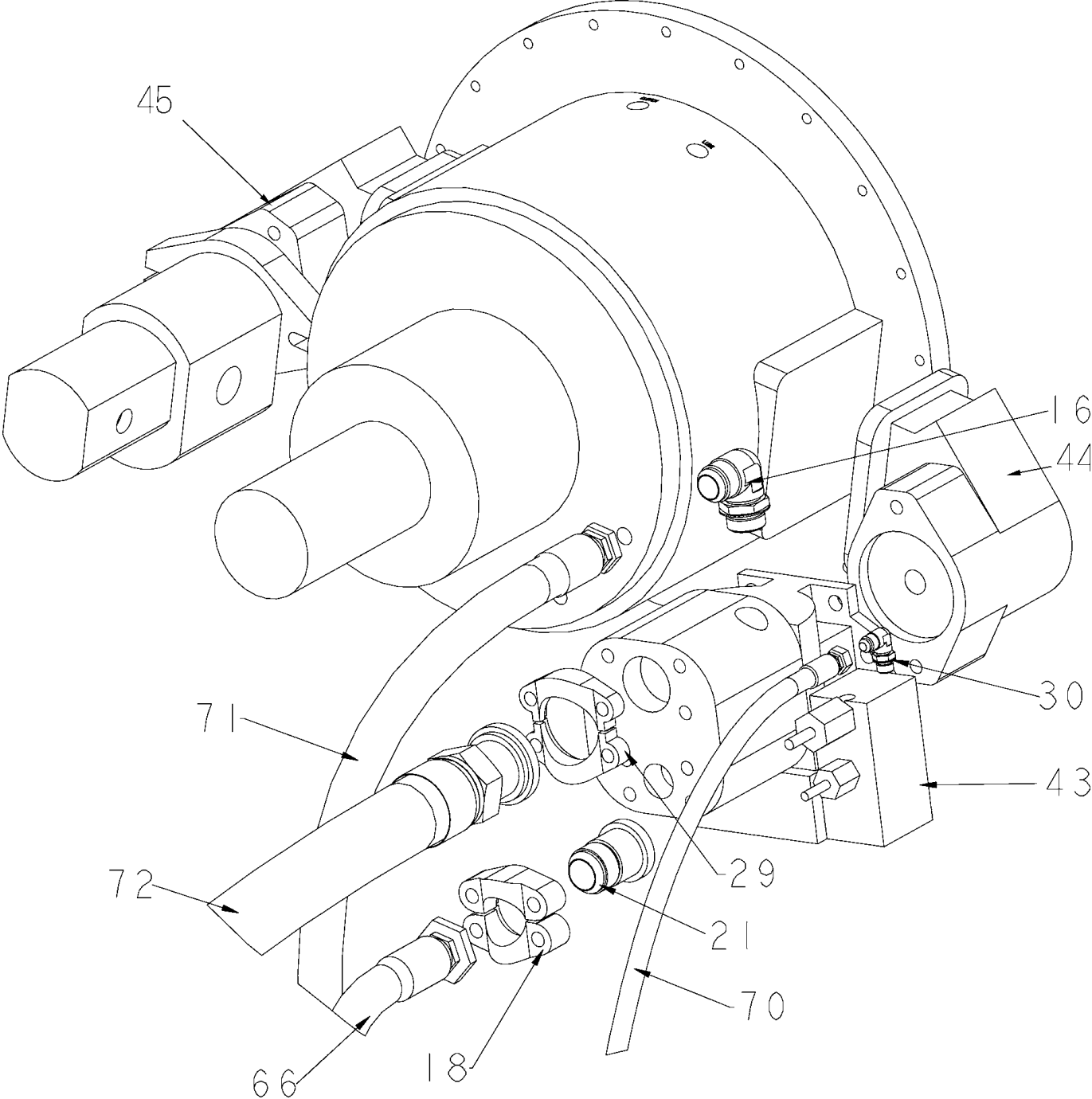
HYDRAULIC PARTS - DISCHARGE CONVEYOR MOTOR



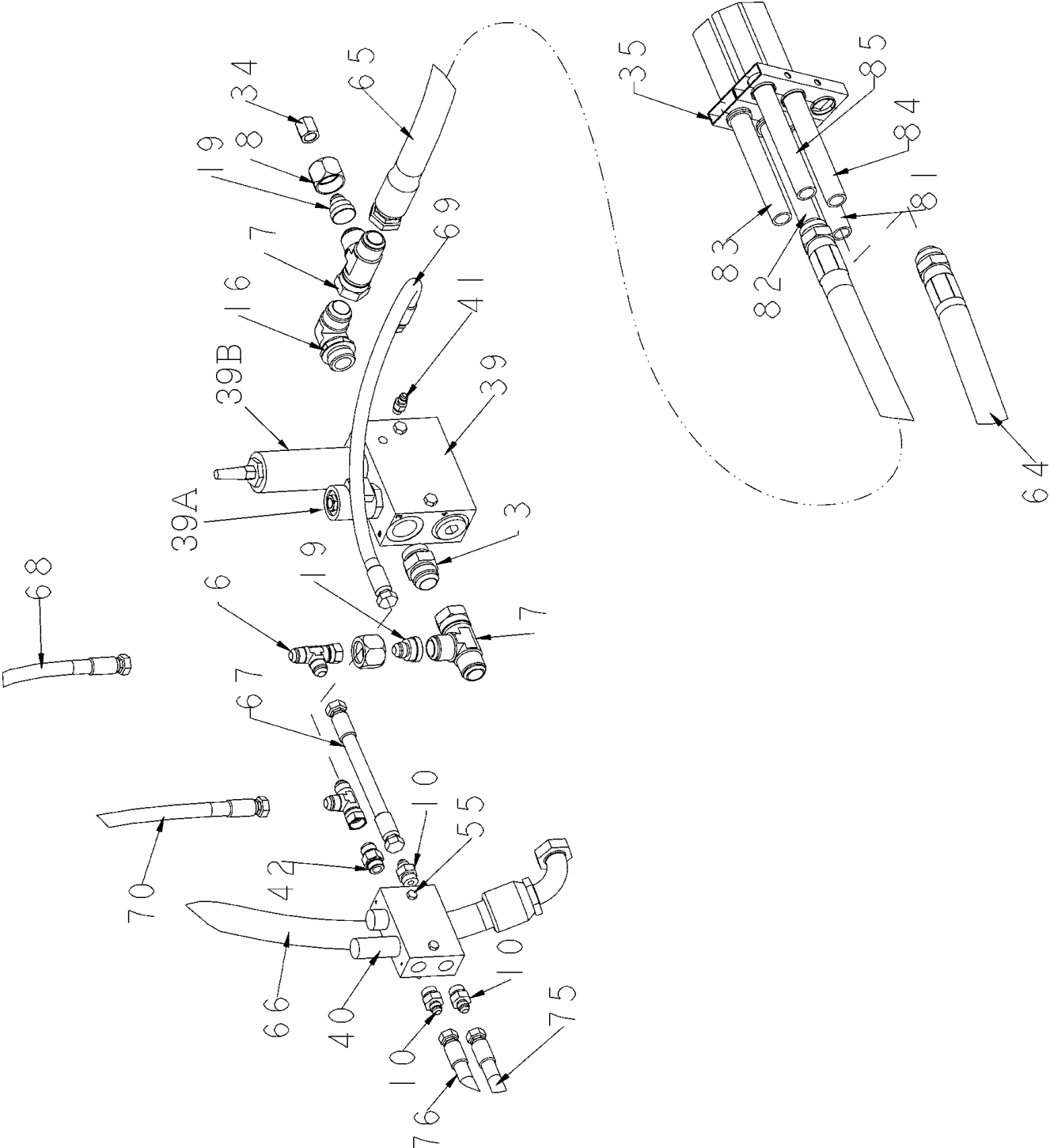
HYDRAULIC PARTS - BELLY CONVEYOR MOTOR



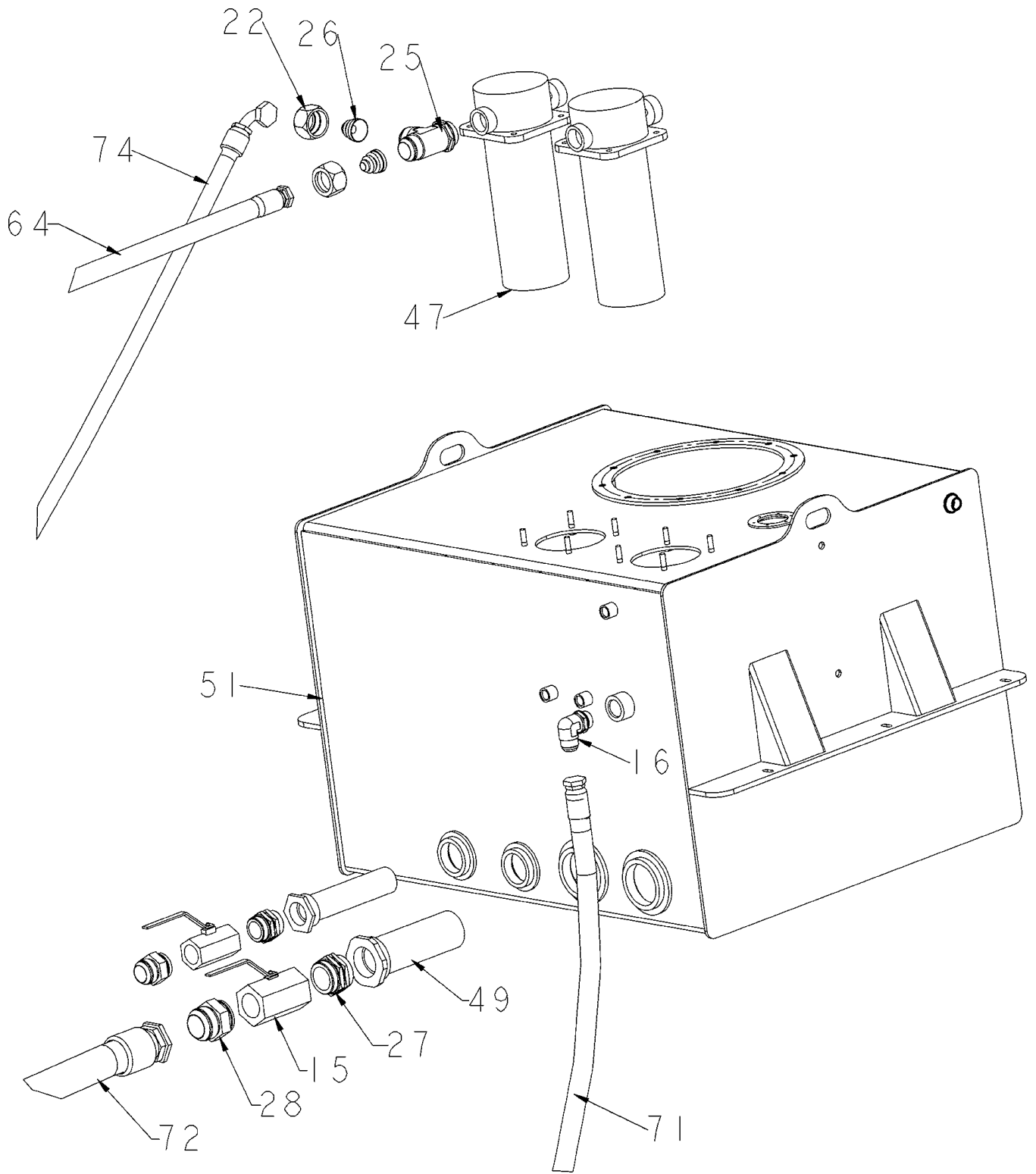
HYDRAULIC PARTS - CONVEYOR PUMP



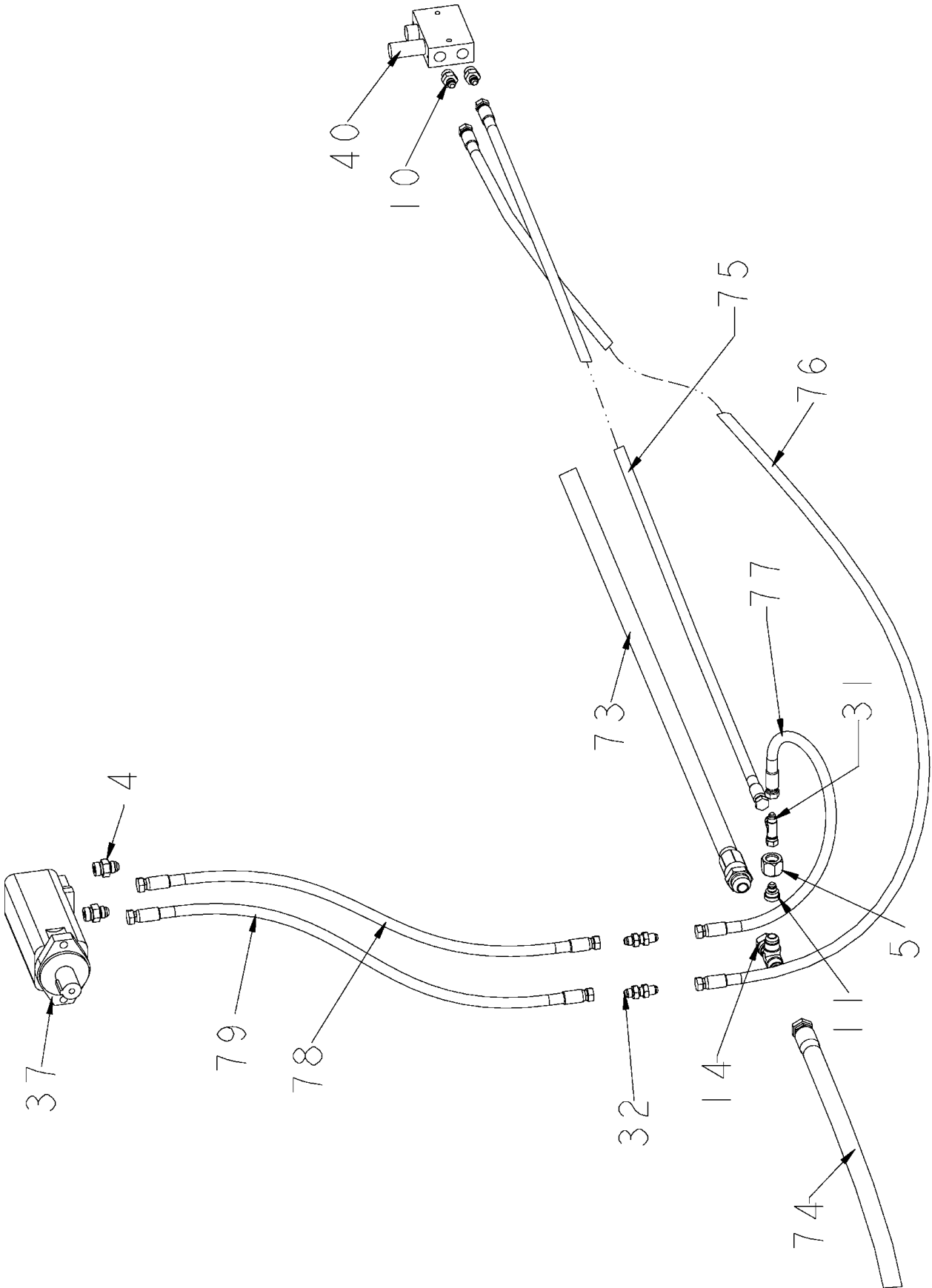
HYDRAULIC PARTS - CONVEYOR VALVES



HYDRAULIC PARTS - CONVEYOR TANK



HYDRAULIC PARTS - ROTATING SCREEN MOTOR AND VALVE



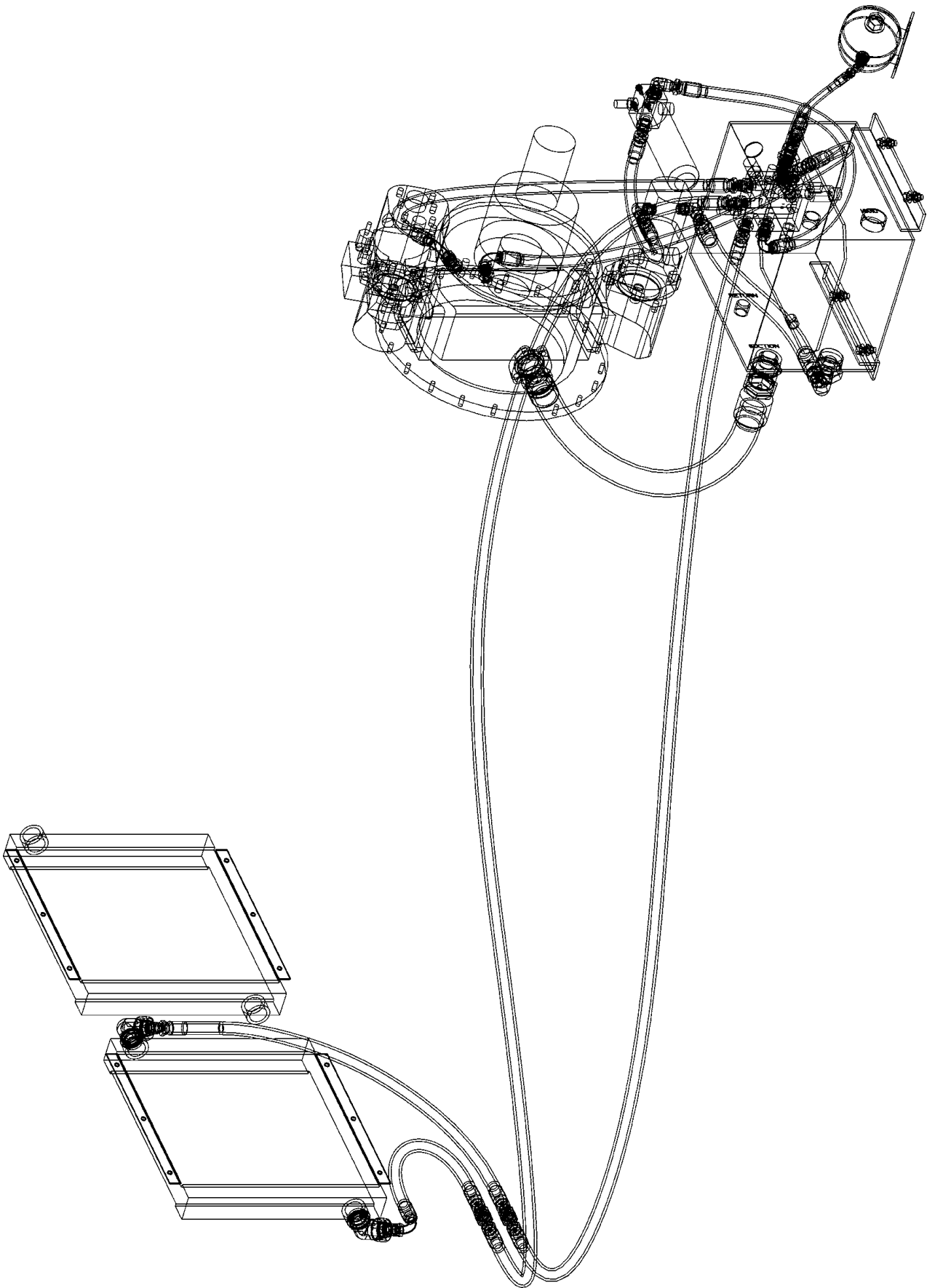
CONVEYOR HYDRAULIC PARTS LIST

ITEM	PART	QTY.	PART DESCRIPTION
1	900121	1	CLUTCH\HPTO\14\DD
2	3700612	1	HOSE\KIT\MAIN\4012
3	3800274	1	FTG\1-5\16\MORX1-5\16\MJIC\ST
4	3800328	2	FTG\7\8\MORX3\4\MJIC\ADPT
5	3800462	1	FTG\1-1\16\NUTF\JICS
6	3800484	2	FTG\3\4\FJICSX3\4\MJICX3\4\MJIC\RUN;TEE
7	3800497	2	FTG\1-5\16\FJICX1-5\16\MJICX1-5\16\MJIC\RUN;TEE
8	3800499	3	FTG\1-5\16\NUTF\JICS
9	3800527	4	FTG\7\8\MORX1-1\16\MJIC\ST
10	3800530	3	FTG\3\4\MORX9\16\MJIC\ST
11	3800542	1	FTG\1-1\16\FJICX9\16\MJIC\ADPT
12	3800552	8	CLAMP\HOSE\1-1\4\2\HOLES
13	3800649	17	BUSH\RB\BR\1\TUBE\1-1\4\ODX1\IDX1-1\4L
14	3800670	1	FTG\1-1\16\FJICX1-1\16\MJICX1-1\16\MJIC\RUN;TEE
15	3800724	1	VALVE\BALL\2\2-1\2\FOR\1\4 TURNW\LOCK
16	3800728	3	FTG\1-5\16\MORX1-5\16\MJIC\90
17	3800731	1	FTG\1-5\16\MJICX1-5\16\MJICX1-5\16\MJIC\TEE
18	3800732	1	CLMP\F\FLANGE\SPLIT#62\1-20
19	3800738	3	FTG\1-5\16\FJICX3\4\MJIC\ADPT
20	3800740	1	VALVE\BALL\1-1\2\1-7\8\FOR\1\4 TURNW\LOCK
21	3800742	1	FTG\1-5\8\MJICX\SERIES62\ADPT
22	3800744	2	FTG\1-7\8\NUTF\JICS
23	3800745	1	FTG\1-7\8\MORX1-7\8\MOR\ADPT
24	3800746	1	FTG\1-7\8\MORX1-7\8\MJIC\ST
25	3800747	1	FTG\1-7\8\MORX1-7\8\MJICX1-7\8\MJIC\RUN;TEE
26	3800748	2	FTG\1-7\8\FJICX1-5\16\MJIC\ADPT
27	3800751	1	FTG\2-1\2\MORX2-1\2\MOR\ADPT
28	3800752	1	FTG\2-1\2\MORX2-1\2\MJIC\ST
29	3800756	1	CLMP\F\FLANGE\SPLIT#61\1-32
30	3800757	1	FTG\9\16\MORX9\16\MJIC\90
31	3800759	1	FTG\9\16\FJICSX9\16\MJICX9\16\MJIC\RUN;TEE
32	3800761	2	FTG\9\16\MJICX9\16\MJIC\BULKHEAD
33	3800762	1	FTG\7\16\MORX9\16\MJIC\90
34	3800765	1	FTG\3\4\FJIC\CAP
35	3800798	12	CLAMP\HOSE\1-1\4\3\HOLES
36	3900005	1	MTR\HYD\14.9\2000\SAE;A
37	3900010	1	MTR\HYD\24\2000\SAE;A
38	3900027	1	MTR\HYD\29.8\2000\SAE;A
39	4000212	1	VLV\HYD\CNVYR\BLK\MFLD SEE PG 158
39A	4000229	1	VALVE\HYD\SOL\24\1\635W\DW\PEND SEE PG 158
39B	4000323	1	VLV\CNTRL\FLOW\MOTORIZED SEE PG 158
40	4000226	1	VLV\HYD\AUX\BLK\MFLD\0.75
41	4000227	1	VALVE\CHECK\7\16\MORX7\16\MJIC
42	4000235	1	VALVE\CHECK\9\16\MORX9\16\MJIC
43	4200073	1	PUMP\HYD\75\ML\LOAD;SENSE
44	4200080	1	PUMP\DRIVE\RHB for 650 HP Engine
44	4200102	1	PUMP\DRIVE\RHB\8-BOLT for 860 HP Engine
45	4200081	1	PUMP\DRIVE\LHB for 650 HP Engine
45	4200103	1	PUMP\DRIVE\LHB\8-BOLT for 860 HP Engine
46	4200082	1	PUMP\HYD\3.15X.67\SAE-B
47	4400043	2	FILTER\HYDRAULIC\RETURN\IN-TANK
	4400074		FLTR\ELMT\10MIC\INTANK FOR 4400043
	4400115		SEAL\HEAD\FLTR\MP FOR 4400043
48	4400067	1	FLTR\SCRN\2-1\2\MORX1-7\8\FOR\30GPM\ST30-100-RV3
49	4400068	1	FLTR\SCRN\3-3\8\MORX2-1\2\FOR\50GPM\100MESH

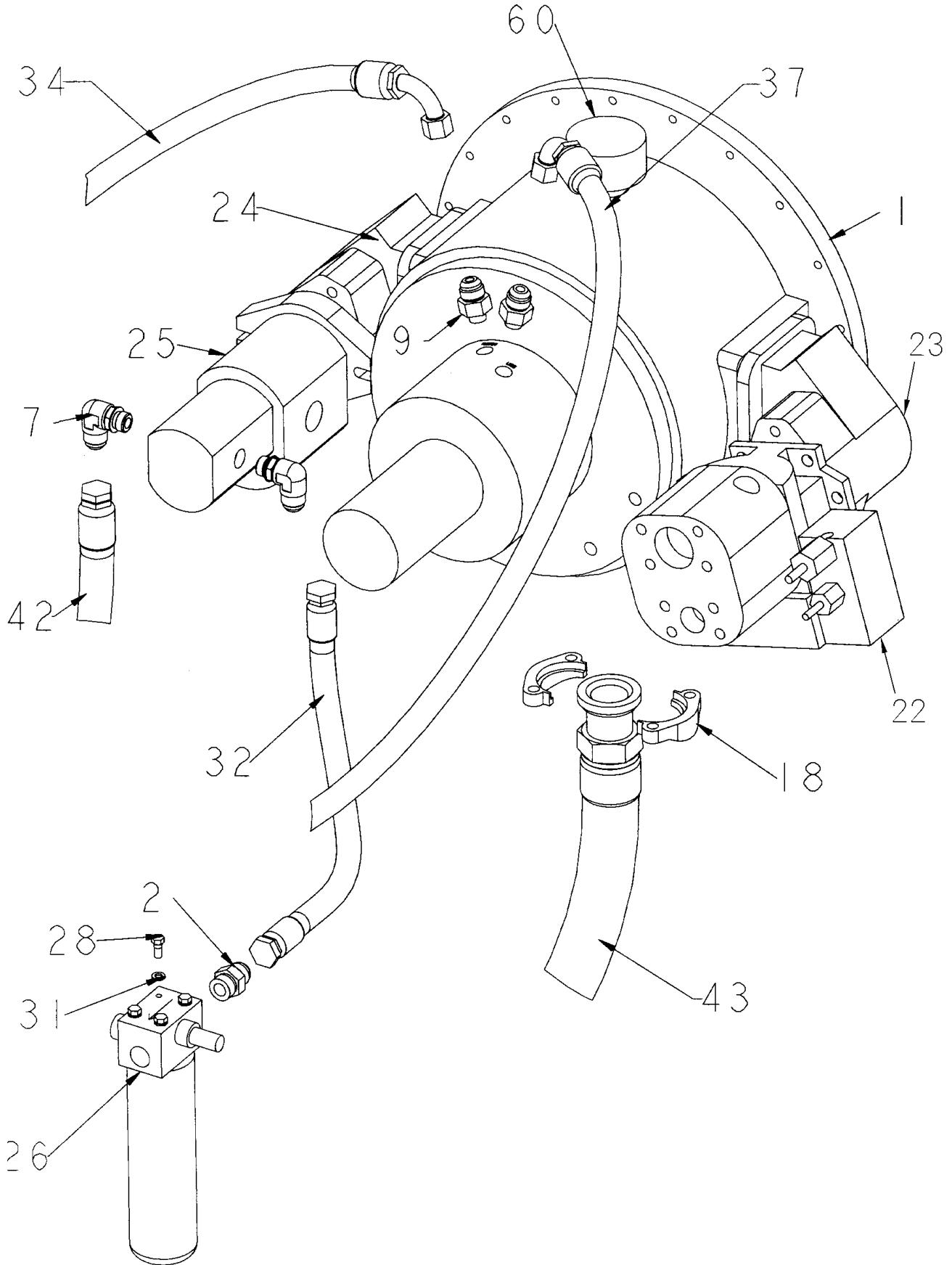
CONVEYOR HYDRAULIC PARTS LIST

ITEM	PART	QTY.	PART DESCRIPTION
50	4500893	4	CLMP\HOSE\3/4
51	4703332	1	TANK\HYD\4012
52	4703575	1	TANK\ASSY\HYD\4012
53	4800034	8	BOLT\HEX\3/8X1-1/2
54	4800156	2	BOLT\HEX\3/8X3
55	4800507	2	BOLT\HEX\1/4X2-1/4\NC
56	4900023	2	NUT\TPLCK\3/8\NC
57	4900084	2	NUT\TPLCK\1/4\NC
58	HOSE_1_4012_MAIN	1	CONV MOTOR RETURN MOTOR TO TUBE 7
59	HOSE_2_4012_MAIN	1	DIS CONV MOTOR PRESS-TUBE 6 TO MOTOR
60	HOSE_3_4012_MAIN	1	CONV MOTOR PRESS - DISCH MOTOR TO TUBE 6
61	HOSE_4_4012_MAIN	1	CONV RETURN TUBE 7 TO HOSE 81
62	HOSE_5_4012_MAIN	1	CONV MOTOR PRESS TUBE 2 TO DISCH MOTOR
63	HOSE_25_4012_MAIN	1	DISCH CONV MOTOR CASE DRAIN
64	HOSE_33_4012_MAIN	1	CONV RETURN TUBE1 TO TANK
65	HOSE_35_4012_MAIN	1	CONV MOTOR PRESS - VALVE TO TUBE 2
66	HOSE_49_4012_MAIN	1	CONVEYOR PUMP DISCHARGE
67	HOSE_50_4012_MAIN	1	CONV PRESS HOSE 49 TO SCREEN VALVE
68	HOSE_51_4012_MAIN	1	CONV PRESS HOSE 49 TO PRESS GAUGE
69	HOSE_52_4012_MAIN	1	CONV PUMP LOAD SENSE LINE, VALVE TO VALVE
70	HOSE_53_4012_MAIN	1	CONV PUMP LOAD SENSE LINE, VALVE TO PUMP
71	HOSE_54_4012_MAIN	1	CONV PUMP DRAIN TO TANK
72	HOSE_56_4012_MAIN	1	CONV PUMP SUPPLY TANK TO PUMP
73	HOSE_65_4012_MAIN	1	
74	HOSE_66_4012_MAIN	1	
75	HOSE_67_4012_MAIN	1	SCREEN MOTOR PRESSURE RELIEF
76	HOSE_68_4012_MAIN	1	SCREEN MOTOR PRESSURE CIRCUIT
77	HOSE_69_4012_MAIN	1	SCREEN MOTOR RETURN CIRCUIT
78	HOSE_79_4012_MAIN	1	SCREEN MOTOR RETURN BULKHEAD TO MOTOR
79	HOSE_80_4012_MAIN	1	SCREEN MOTOR PRESS BULKHEAD TO MOTOR
80	HOSE_81_4012_MAIN	1	CONV RETURN HOSE 4 TO TUBE1
81	TUBE_1_4012_MAIN_HYD	1	CONV RETURN HOSE 81 TO HOSE 33
82	TUBE_2_4012_MAIN_HYD	1	CONV PRESS HOSE 35 TO HOSE 5
83	TUBE_3_4012_MAIN_HYD	1	
84	TUBE_4_4012_MAIN_HYD	1	
85	TUBE_5_4012_MAIN_HYD	1	
86	TUBE_6_4012_MAIN_HYD	1	CONV MOTOR RETURN HOSE 1 TO HOSE 3
87	TUBE_7_4012_MAIN_HYD	1	DIS CONV MOTOR PRESS HOSE 3 TO HOSE 2

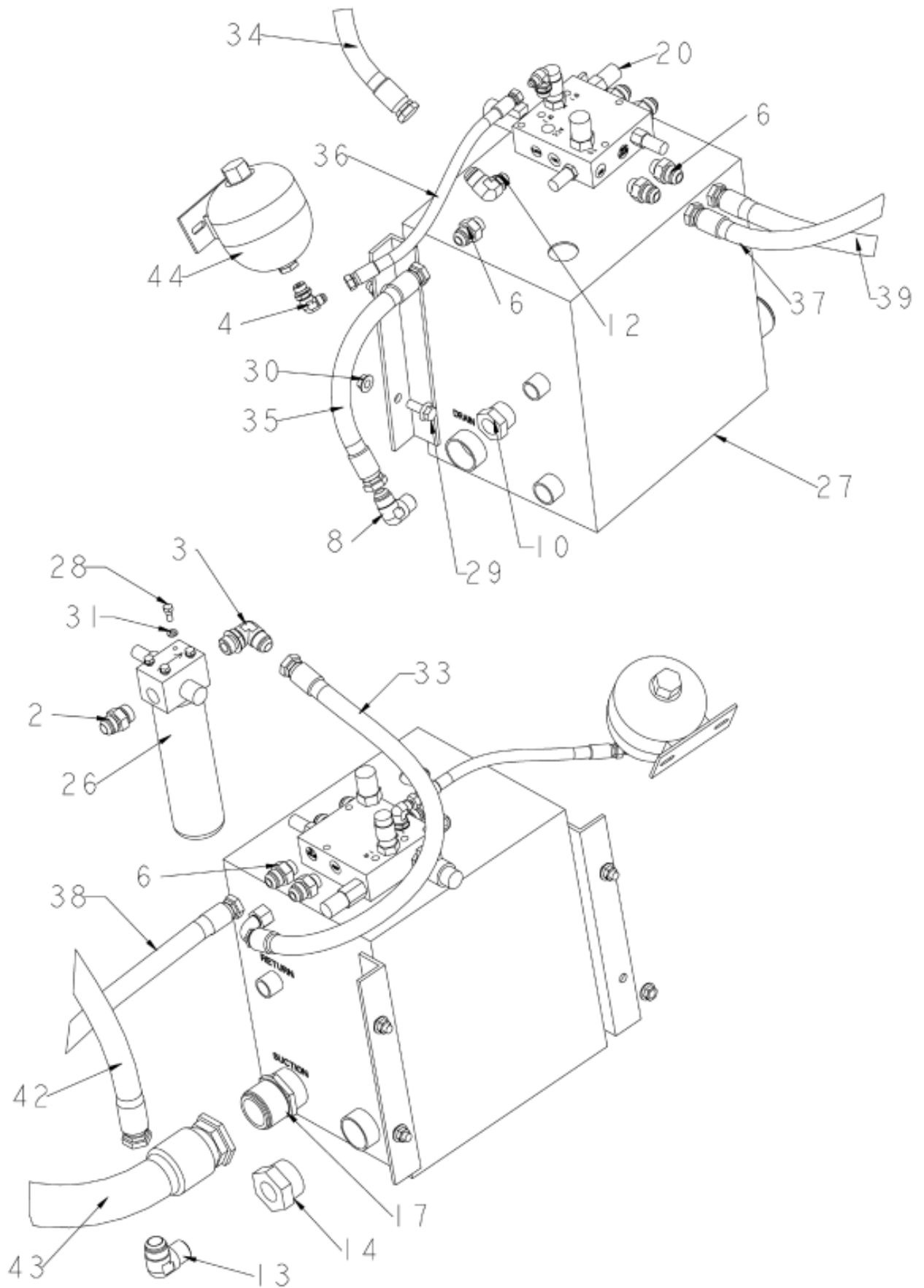
HYDRAULIC PARTS - "CLUTCH"



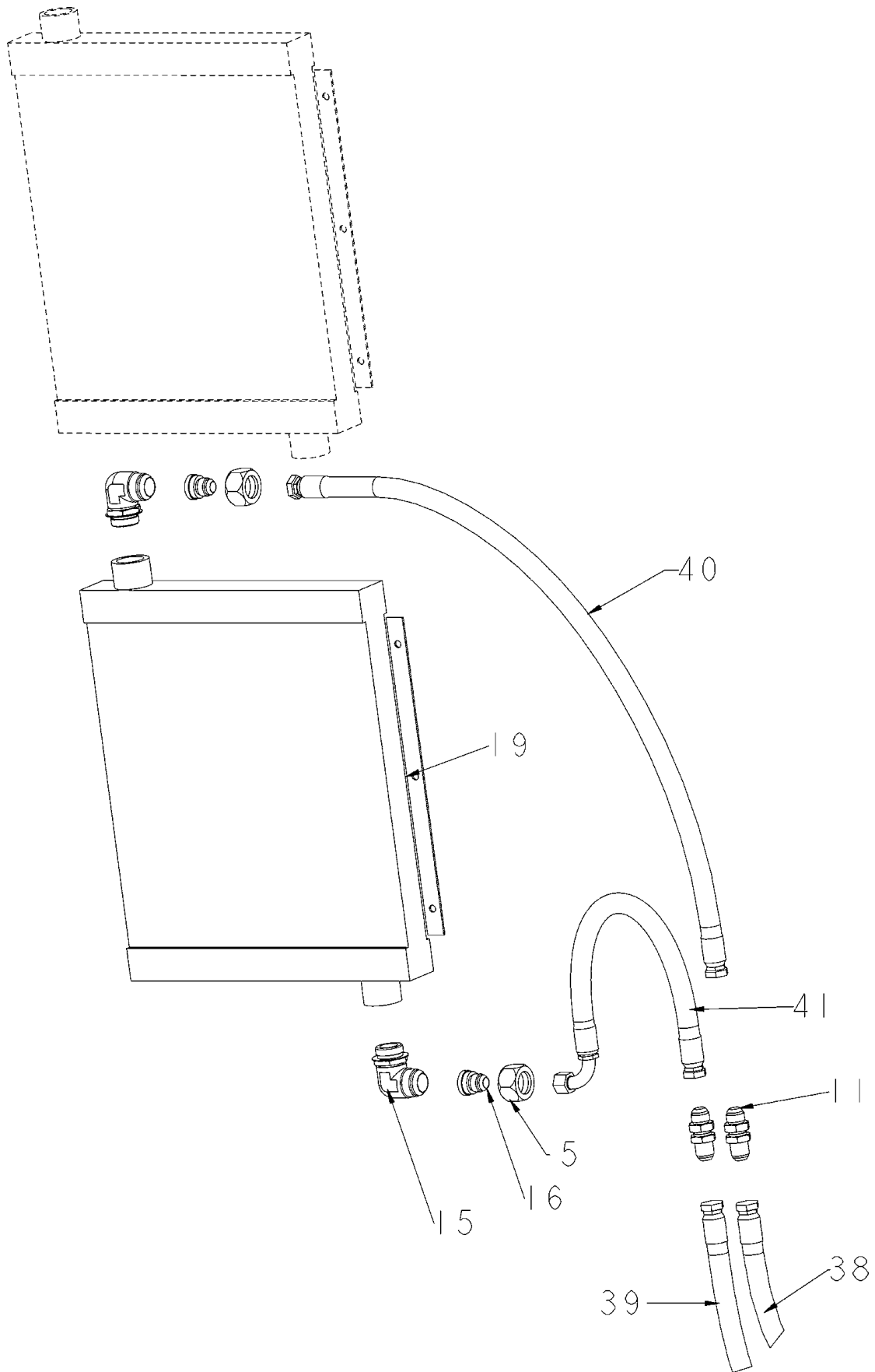
HYDRAULIC PARTS - CLUTCH AND PUMP



HYDRAULIC PARTS - CLUTCH TANK



HYDRAULIC PARTS - CLUTCH COOLER



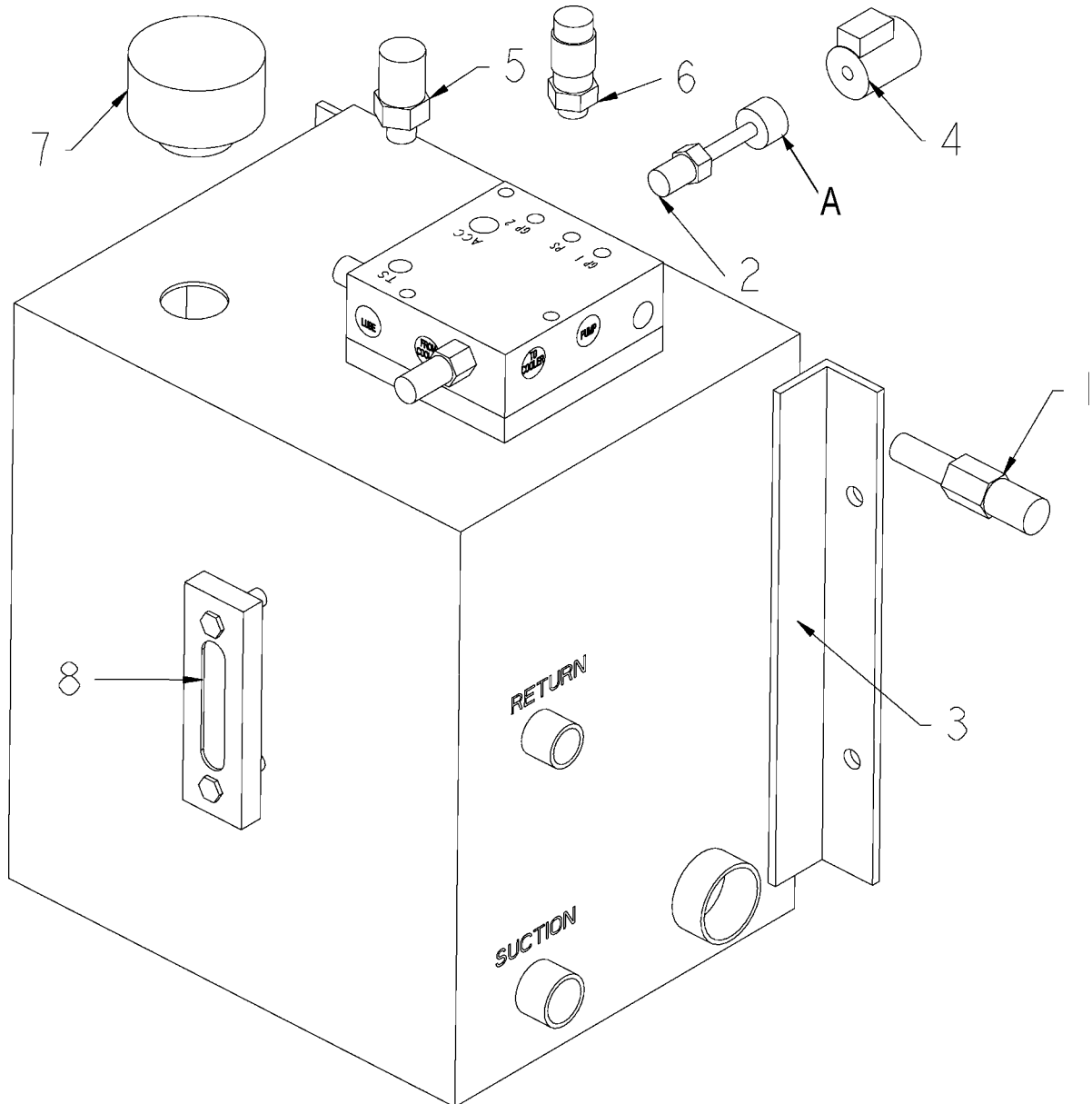
HYDRAULIC PARTS - CLUTCH

ITEM	PART	QTY	PART DESCRIPTION
1	900121	1	CLUTCH\HPTO\14\DD
2	3800277	1	FTG\1-1/16MORX1-1/16MJIC\ST
3	3800279	1	FTG\1-1/16MORX1-1/16MJIC\90
4	3800453	2	FTG\3/4MORX9/16MJIC\90
5	3800488	2	FTG\1-5/8NUTFJICS
6	3800527	5	FTG\7/8MORX1-1/16MJIC\ST
7	3800535	2	FTG\7/8MORX1-1/16MJIC\90
8	3800541	1	FTG\1-1/16MJICX3/4MP\90
9	3800668	2	FTG\1-1/16MJICX3/4MOR\ADP
10	3800721	1	FTG\1-1/4MPX3/4FP\BUSH
11	3800725	2	FTG\1-1/16MJICX1-1/16MJC\BULKHEAD
12	3800726	1	FTG\3/4MORX1-1/16MJIC\90
13	3800729	1	FTG\1-5/16MJICX1MP\90
14	3800739	1	FTG\2MPX1FP\BUSH
15	3800741	2	FTG\1-5/8MORX1-5/8MJIC\90
16	3800743	2	FTG\1-5/8FJICX1-1/16MJIC\ADPT
17	3800753	1	FTG\2-1/2MJICX2MP\ST\SOLID
18	3800756	1	CLMP\FLANGE\SPLIT\#61\ -32
19	4000219	2	RAD\HYD\23X19\1-1/16"-1
20	4000271	1	VALVE\CART\REDUCE\220P
21	4000290	1	VALVE\HYD\CART\2POS
22	4200073	1	PUMP\HYD\75ML\LOAD;SENSE
23	4200080	1	PUMP\DRIVE\RH\B for 650 HP Engine
23	4200102		PUMP\DRIVE\RH\B\8-BOLT for 860 HP Engine
24	4200081	1	PUMP\DRIVE\LH\B for 650 HP Engine
24	4200103		PUMP\DRIVE\LH\B\8-BOLT for 860 HP Engine
25	4200082	1	PUMP\HYD\3.15X.67\SAE-B
26	4400059	1	FLTR\COMP\10MIC;ABS>
27	4704003	1	TANK\HYD\15G\HPTO\4012
28	4800643	4	BOLT\HEX\5/16X3/4
29	4800928	4	BOLT\FLG\SERR\1/2X1-1/4\NC
30	4900100	4	NUT\FLG\TPLCK\1/2\NC
31	5000022	4	WASH\LOCK\5/16

ITEM	PART	QTY	PART DESCRIPTION
32	HOSE_37_4012_MAIN	1	CLUTCH - PUMP TO FILTER
33	HOSE_38_4012_MAIN	1	CLUTCH - FILTER TO PUMP PORT
34	HOSE_39_4012_MAIN	1	MANIFOLD CLUTCH PORT TO CLUTCH PORT
35	HOSE_40_4012_MAIN	1	MANIFOLD TANK PORT TO TANK
36	HOSE_41_4012_MAIN	1	MANIFOLD ACCUMULATOR PORT TO ACCUMULATOR
37	HOSE_42_4012_MAIN	1	MANIFOLD LUBE PORT TO LUBE PORT
38	HOSE_43_4012_MAIN	1	CLUTCH - RETURN FROM COOLER
40	HOSE_45_4012_MAIN	1	CLUTCH - TO COOLER
41	HOSE_46_4012_MAIN	1	CLUTCH - RETURN FROM COOLER
42	HOSE_47_4012_MAIN	1	CLUTCH - OIL TANK TO PUMP SUCTION
43	HOSE_48_4012_MAIN	1	CLUTCH DRAIN TO TANK
44	HPTO14DD_ACCUMULATOR	1	
45	HPTO14DD_MANIFOLD_650_HP	1	
60	7501188	1	CAP\BREATH\HPTO14

NOTE: #4, #36, & #44 REPLACED WITH 4000411

HYDRAULIC PARTS - CLUTCH TANK PARTS



ITEM	PART	QTY	PART DESCRIPTION
1	4000271	1	VALVE\CART\REDUCE\220P
2	4000290	1	VALVE\HYD\CART\2POS
3	4704003	1	TANK\HYD\15G\HPTO\4012
4	5700595	1	VALVE\CLTCH\SOL\24V\770
5	5700604	1	SWITCH\TEMP\200\NC
6	5700606	1	SWITCH\PRESS\205\NO
7	7500988	1	CAP\FILLER\BREATHER\HPTO
8	7500996	1	GAUGE\LEVEL\5W\THERM
9	4000419	1	VALVE\CART\RELIEF\260P
10	4000420		VALVE\CART\DIVIDER\3GPM
	4000421		VALVE\CART\DIVIDER\4GPM
A	4000434		NUT & O-RING

NOT SHOWN

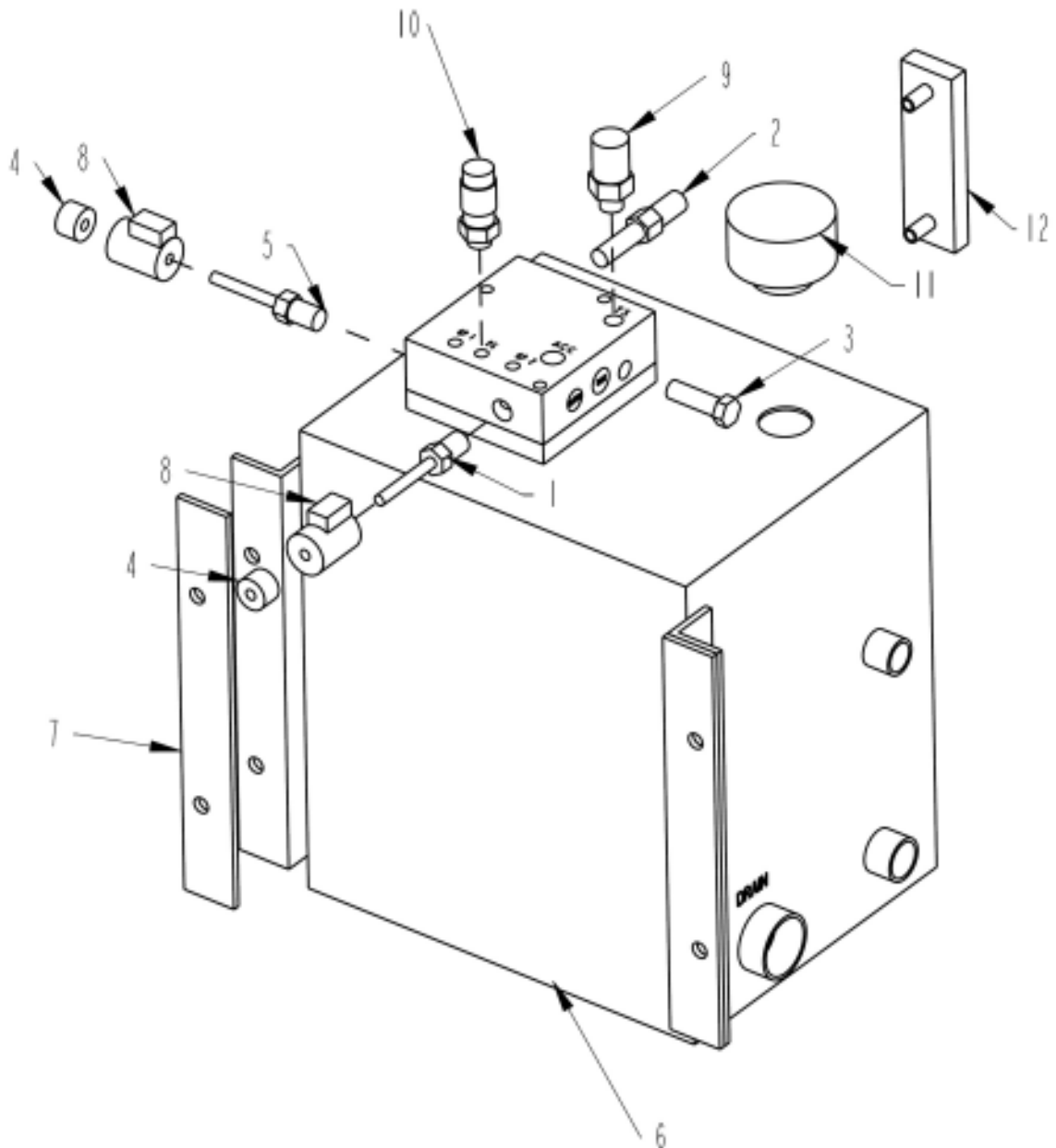
	4704724	2	PAD\TANK\HYD\CLUTCH
--	---------	---	---------------------

NOTE - ITEM 10, CARTRIDGE AND/OR VALVE BLOCK SHOULD BE STAMPED 3 OR 4 GPM.
ORDER SIMILAR PART TO WHAT IS ON THE VALVE BLOCK.

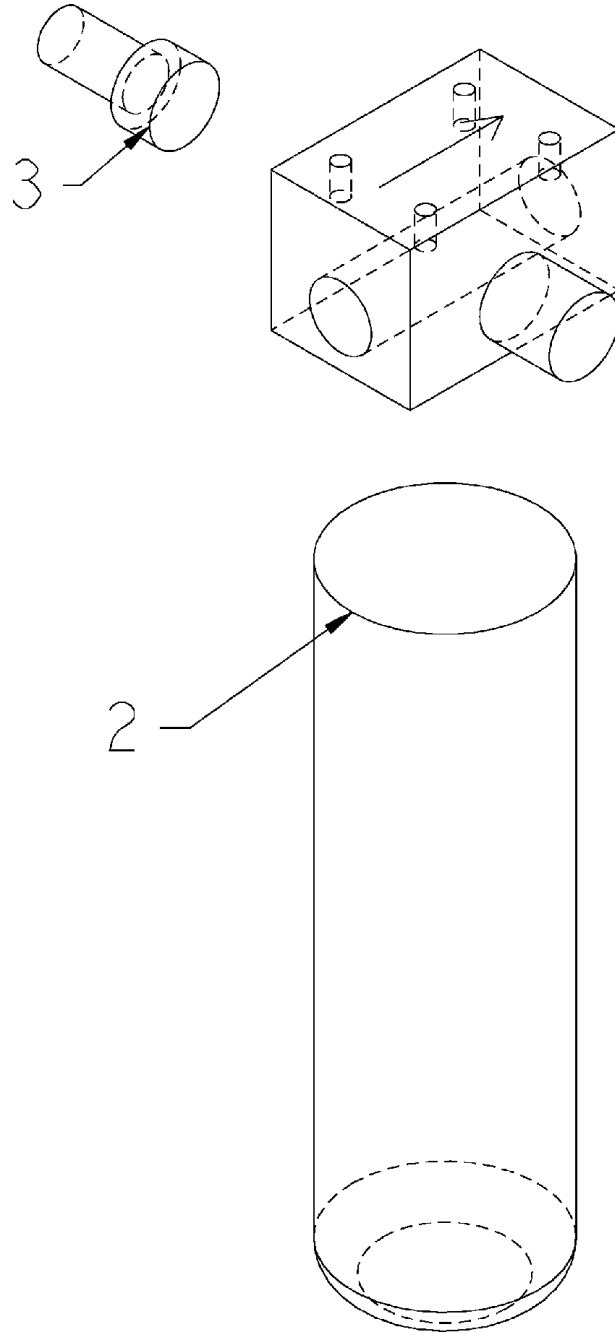
4 0 1 2 T U B G R I N D E R P A R T S R E F E R E N C E

950 HP - HYDRAULIC PARTS - CLUTCH TANK PARTS

ITEM	PART	QTY	PART DESCRIPTION
1	4000290	1	VALVE\HYD\CART\2POS
2	4000419	1	VVALVE\CART\RELIEF\260P
3	4000421	1	VALVE\CART\DIVIDER\4GPM
4	4000434	2	NUT;O-RING\CART\HPTO
5	4000545	1	VALVE\HYD\CART\PWM\PTTECH
6	4704003	1	TANK\HYD\15G\HPTO\4012
7	4704724	2	PAD\TANK\HYD\CLUTCH
8	5700595	2	VALVE\CLTCH\SOL\24V\770
9	5700604	1	SWITCH\TEMP\200\NC
10	5700915	1	TRNSDCR\PRSS\W\DEUTSCH\PTTECH
11	7500988	1	CAP\FILLER\BREATHER\HPTO
12	7500996	1	GAUGE\LEVEL\5W\THERM

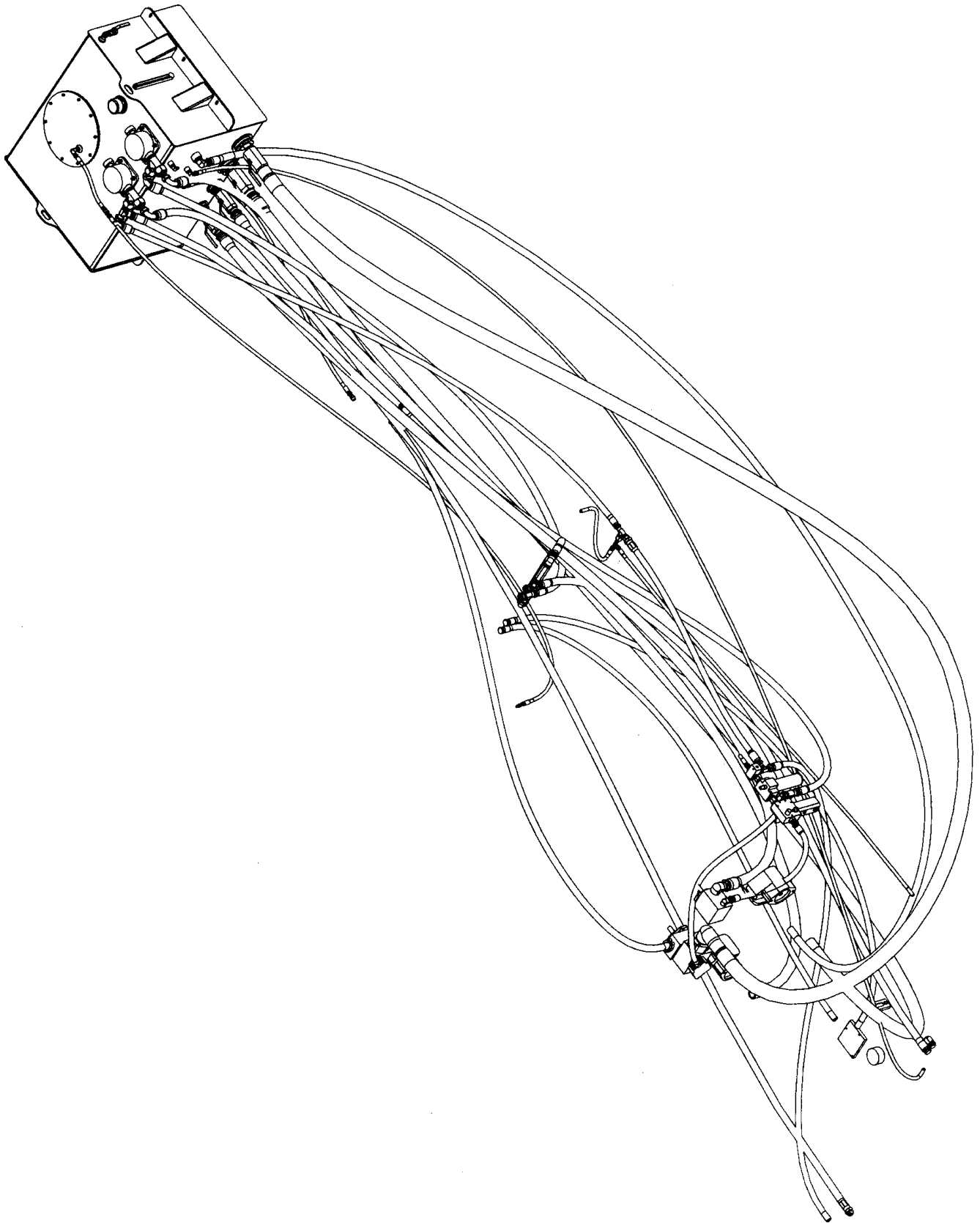


HYDRAULIC PARTS - CLUTCH FILTER PARTS

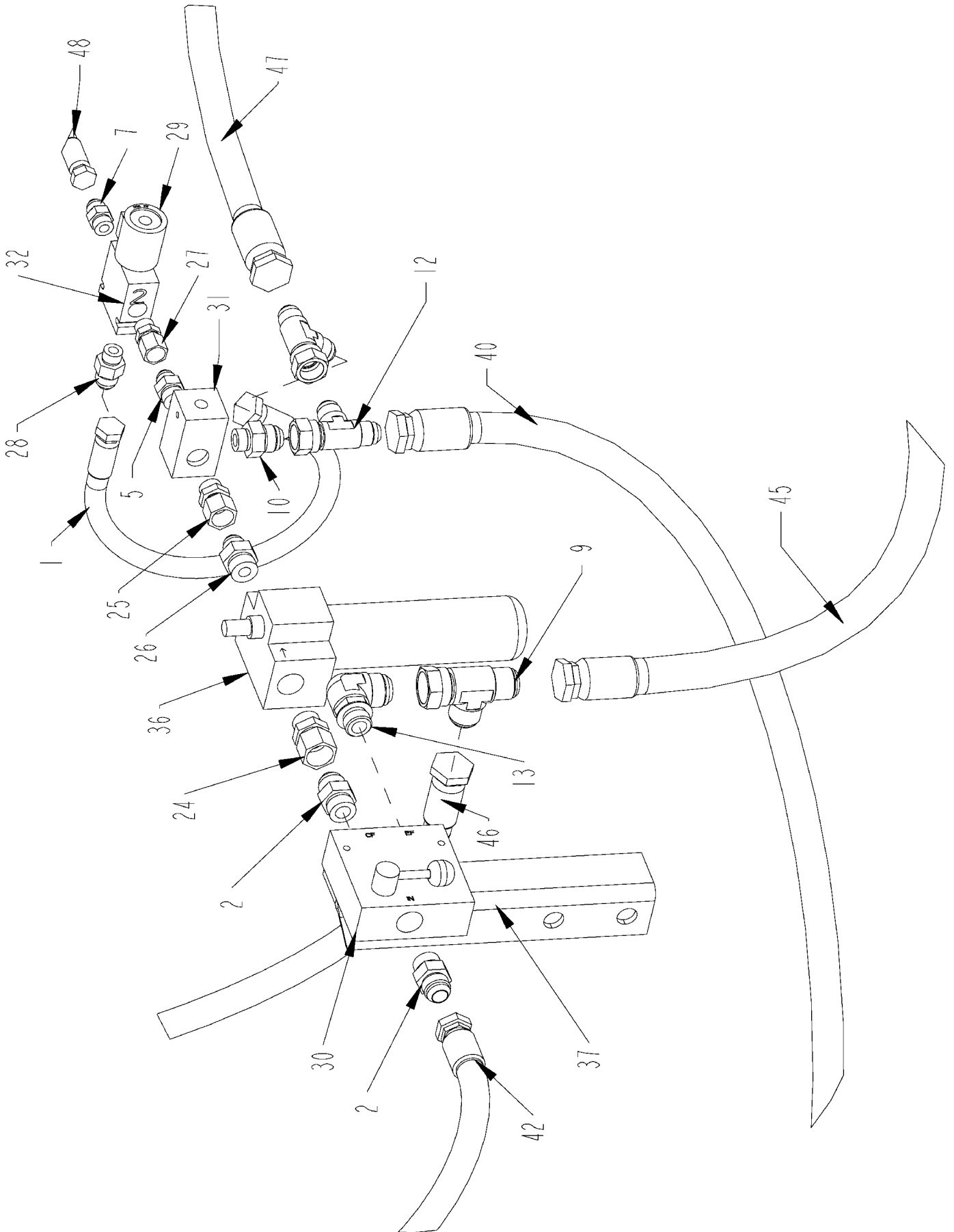


ITEM	PART	QTY	PART DESCRIPTION
1	4400059	1	FLTR\COMP\10MIC;ABS\
2	4400073	1	FLTR\ELMT\10MIC;ABS\1000
3	5700610	1	SWITCH\PRESS\FILT;BYPASS

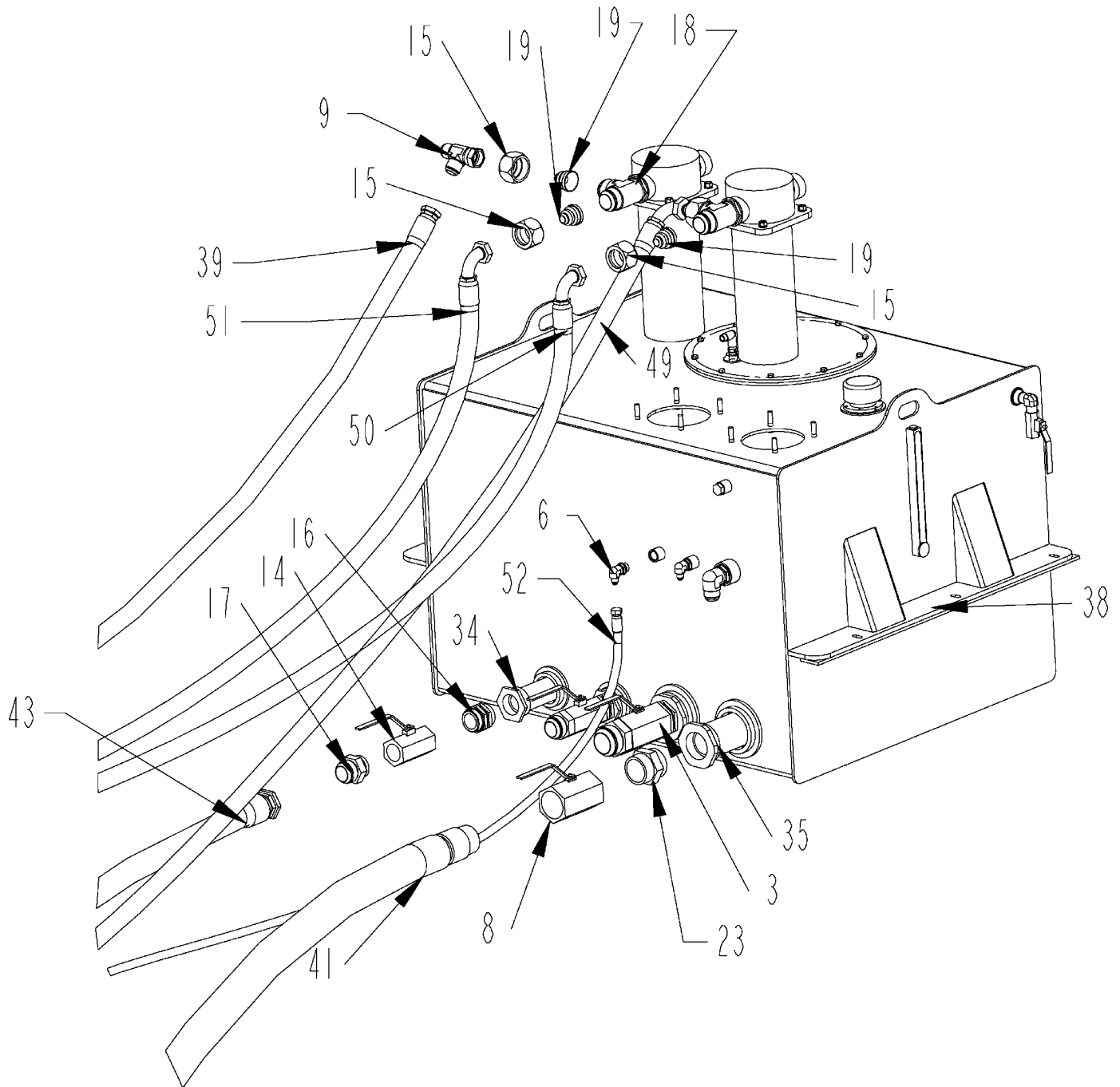
HYDRAULIC PARTS - "HOOD LOADER"



HYDRAULIC PARTS - LOADER PILOT PRESSURE



HYDRAULIC PARTS - LOADER TANK

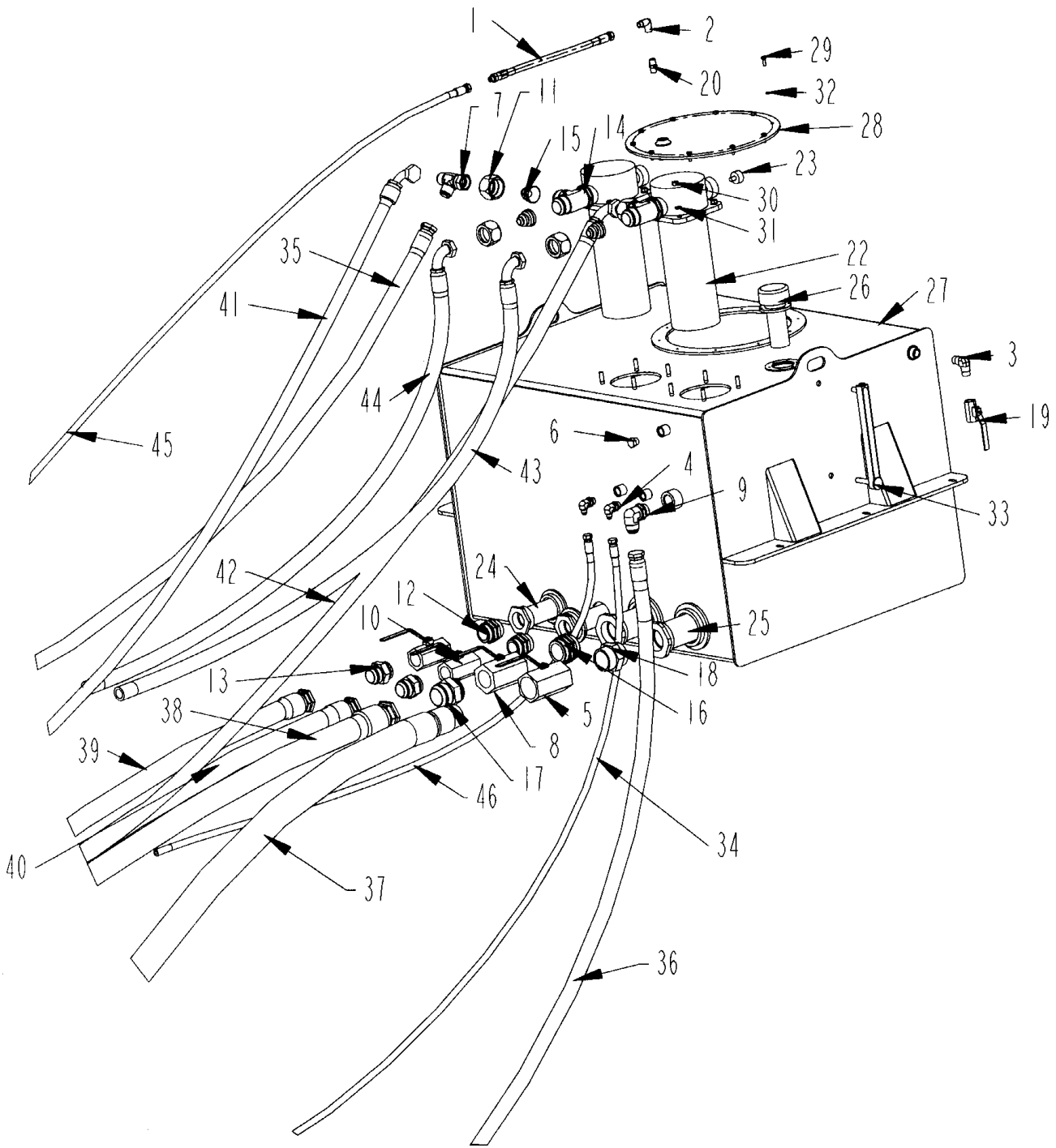


HYDRAULIC PARTS - LOADER

ITEM	PART	QTY	PART DESCRIPTION
1	3700700	1	HOSE\HYD\1\2X24\1-1\16\FJCX7\8\FJCS
2	3800277	2	FTG\1-1\16\MORX1-1\16\MJIC\ST
3	3800301	1	FTG\1-5\16\MOR\PLUG\HEX
4	3800316	1	FTG\2-1\2\MPX2-1\2\FP\90D\ST;EL\LW
5	3800328	1	FTG\7\8\MORX3\4\MJIC\ADPT
6	3800453	3	FTG\3\4\MORX9\16\MJIC\90
7	3800477	1	FTG\3\4\MORX3\4\MJIC\ST
8	3800482	1	VALVE\BALL\2\FP\1\4\TURN\STEEL\W\LOCK
9	3800497	4	FTG\1-5\16\FJICX1-5\16\MJICX1-5\16\MJIC\RUN;TEE
10	3800527	1	FTG\7\8\MORX1-1\16\MJIC\ST
11	3800541	1	FTG\1-1\16\MJICX3\4\MP\90
12	3800670	3	FTG\1-1\16\FJICX1-1\16\MJICX1-1\16\MJIC\RUN;TEE
13	3800734	1	FTG\1-1\16\MORX1-5\16\MJIC\90
14	3800740	2	VALVE\BALL\1-1\2\1-7\8\FOR\1\4\TURN\W\LOCK
15	3800744	4	FTG\1-7\8\NUT\FJICS
16	3800745	2	FTG\1-7\8\MORX1-7\8\MOR\ADPT
17	3800746	2	FTG\1-7\8\MORX1-7\8\MJIC\ST
18	3800747	2	FTG\1-7\8\MORX1-7\8\MJICX1-7\8\MJIC\RUN;TEE
19	3800748	4	FTG\1-7\8\FJICX1-5\16\MJIC\ADPT
20	3800750	1	FTG\1-7\8\MJICX1-1\4\MP\90
21	3800754	1	CLMP\FLANGE\SPPLIT\#61\1-12
22	3800755	1	CLMP\FLANGE\SPPLIT\#61\1-16
23	3800789	1	FTG\2-1\2\MORX2\MP\ADPT
24	3800803	1	FTG\1-1\16\MORX1-1\16\FJIC\SW
25	3800804	1	FTG\7\8\MORX7\8\FJIC\SW
26	3800805	1	FTG\7\8\MJICX1-1\16\MOR\ST
27	3800845	1	FTG\3\4\MORX3\4\FJIC\SW
28	3800849	1	FRG\3\4\MORX7\8\MJIC\ADPT
29	4000229	1	VALVE\HYD\SOL\24\1\635\W\DI\WPEND
30	4000274	1	VALVE\CONTROL\FLOW\30\GPM\1-1\16\FOR
31	4000275	1	VALVE\RELIEF\LOADER
32	4000315	1	VLV\HYD\SEL\24\1\6\GPM
33	4200106	1	PUMP\2114\HOOD
34	4400067	2	FLTR\SCRN\2-1\2\MORX1-7\8\FOR\30\GPM\ST30-100-RV3
35	4400068	2	FLTR\SCRN\3-3\8\MORX2-1\2\FOR\50\GPM\100\MESH
36	4400101	1	FLTR\COMP\10\MIC;ABS REPLACEMENT ELEMENT 4400102
37	4704105	1	BRKT\FLWCNTRL\LDR\GLRPL
38	4704122	2	MNT\RUBBER\TANK\HYD

ITEM	PART	QTY	PART DESCRIPTION
39	HOSE_33_4012_MAIN_LDR\LOCATION	1	
40	HOSE_36_4012_MAIN_LDR\LOCATION	1	
41	HOSE_55_4012_LOADER	1	
42	HOSE_58_4012_LOADER	1	
43	HOSE_59_4012_LOADER	1	
44	HOSE_62_4012_LOADER	1	
45	HOSE_63_4012_LOADER	1	
46	HOSE_64_4012_LOADER	1	
47	HOSE_65_4012_MAIN_LDR\LOCATION	1	
48	HOSE_70_4012_LOADER	1	
49	HOSE_72_4012_MAIN_LDR\LOCATION	1	
50	HOSE_73_4012_LOADER	1	
51	HOSE_74_4012_LOADER	1	
52	HOSE_76_4012_LOADER	1	
53	4200107	1	PUMP\HOOD
54	W43_40_40	1	4 BOLT FLANGE FITTING

HYDRAULIC PARTS - LOADER TANK DETAILED



HYDRAULIC PARTS - LOADER TANK DETAILED

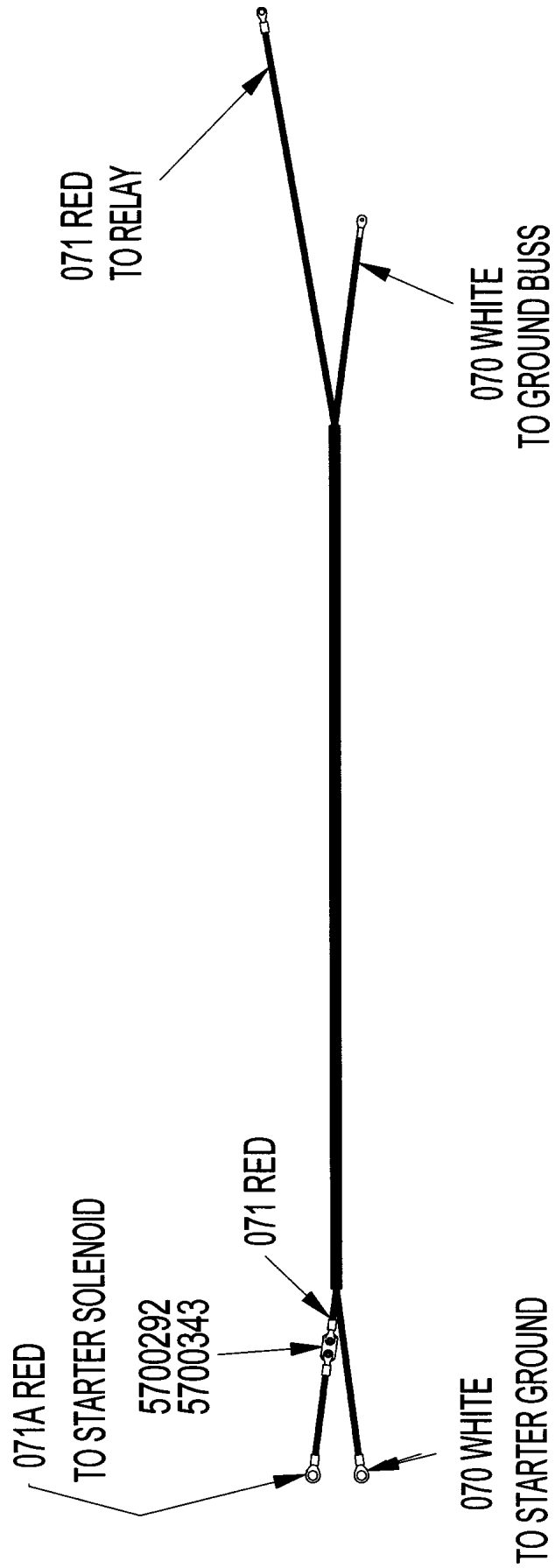
ITEM	PART	QTY.	PART DESCRIPTION
1	3700663	1	HOSE\HYD\3/8X24\3/8FPX9\16MJIC
2	3800031	1	FTG\3/8MPX3\8FP\90\ST;EL
3	3800085	1	FTG\1/2MP\90D\M;ELL
4	3800453	3	FTG\3/4MORX9\16MJIC\90
5	3800482	1	VALVE\BALL\2FP\1/4TURN\STEEL\W/LOCK
6	3800490	1	FTG\3/4MOR\PLUG\HEX
7	3800497	4	FTG\1-5/16FJICX1-5/16MJICX1-5/16MJIC\RUN;TEE
8	3800724	1	VALVE\BALL\2-1/2FOR\1/4 TURN\W/LOCK
9	3800728	2	FTG\1-5/16MORX1-5/16MJIC\90
10	3800740	2	VALVE\BALL\1-1/2\1-7/8FOR\1/4 TURN\W/LOCK
11	3800744	4	FTG\1-7/8NUTFJICS
12	3800745	2	FTG\1-7/8MORX1-7/8MOR\ADPT
13	3800746	2	FTG\1-7/8MORX1-7/8MJIC\ST
14	3800747	2	FTG\1-7/8MORX1-7/8MJICX1-7/8MJIC\RUN;TEE
15	3800748	4	FTG\1-7/8FJICX1-5/16MJIC\ADPT
16	3800751	1	FTG\2-1/2MORX2-1/2MOR\ADPT
17	3800752	1	FTG\2-1/2MORX2-1/2MJIC\ST
18	3800789	1	FTG\2-1/2MORX2MP\ADPT
19	4000193	1	VALVE\BALL\1/2\LW\BRS
20	4000286	1	VALVE\CHECK\3/8MPX3\8MP
22	4400043	2	FILTER\HYDRAULIC\RETURN\IN-TANK ELEMENT 4400074
	4400074		FLTR\ELMT\10MIC\INTANK FOR 4400043
	4400115		SEAL\HEAD\FLTR\MP FOR 4400043
23	4400066	2	GAUGE\FLTR\25PSI\1/8NPT
24	4400067	2	FLTR\SCRN\2-1/2MORX1-7/8FOR\30GPM\ST30-100-RV3
25	4400068	2	FLTR\SCRN\3-3/8MORX2-1/2FOR\50GPM\100MESH
26	4400071	1	VENT\W/LOCK\CAP\HYD
27	4703332	1	TANK\HYD\4012
28	4703396	1	CAP\CLEAN-OUT\TANK\HYD
29	4800024	10	BOLT\HEX\1/4X3/4
30	4900002	8	NUT\HEX\3/8\NC
31	5000019	8	WASH\LOCK\3/8
32	5000024	10	WASH\LOCK\1/4
33	7500615	1	GAUGE\LEVEL\10W\THERMOMETER

ITEM	PART	QTY.	PART DESCRIPTION
34	HOSE_29_4012_MAIN	1	TUB VALVE 'DR' TO TANK
35	HOSE_33_4012_MAIN_LDRLOCATION	1	
36	HOSE_54_4012_MAIN	1	CONV PUMP DRAIN TO TANK
37	HOSE_55_4012_LOADER	1	
38	HOSE_56_4012_MAIN	1	CONV PUMP SUPPLY TANK TO PUMP
39	HOSE_59_4012_LOADER	1	
40	HOSE_60_4012_MAIN	1	PUMP SUCTION TANK TO PUMP
41	HOSE_66_4012_MAIN	1	HOSE 65 TO TANK
42	HOSE_72_4012_MAIN_LDRLOCATION	1	
43	HOSE_73_4012_LOADER	1	
44	HOSE_74_4012_LOADER	1	
45	HOSE_75_4012_MAIN	1	AIR PRESSURE FOR TANK
46	HOSE_76_4012_LOADER	1	

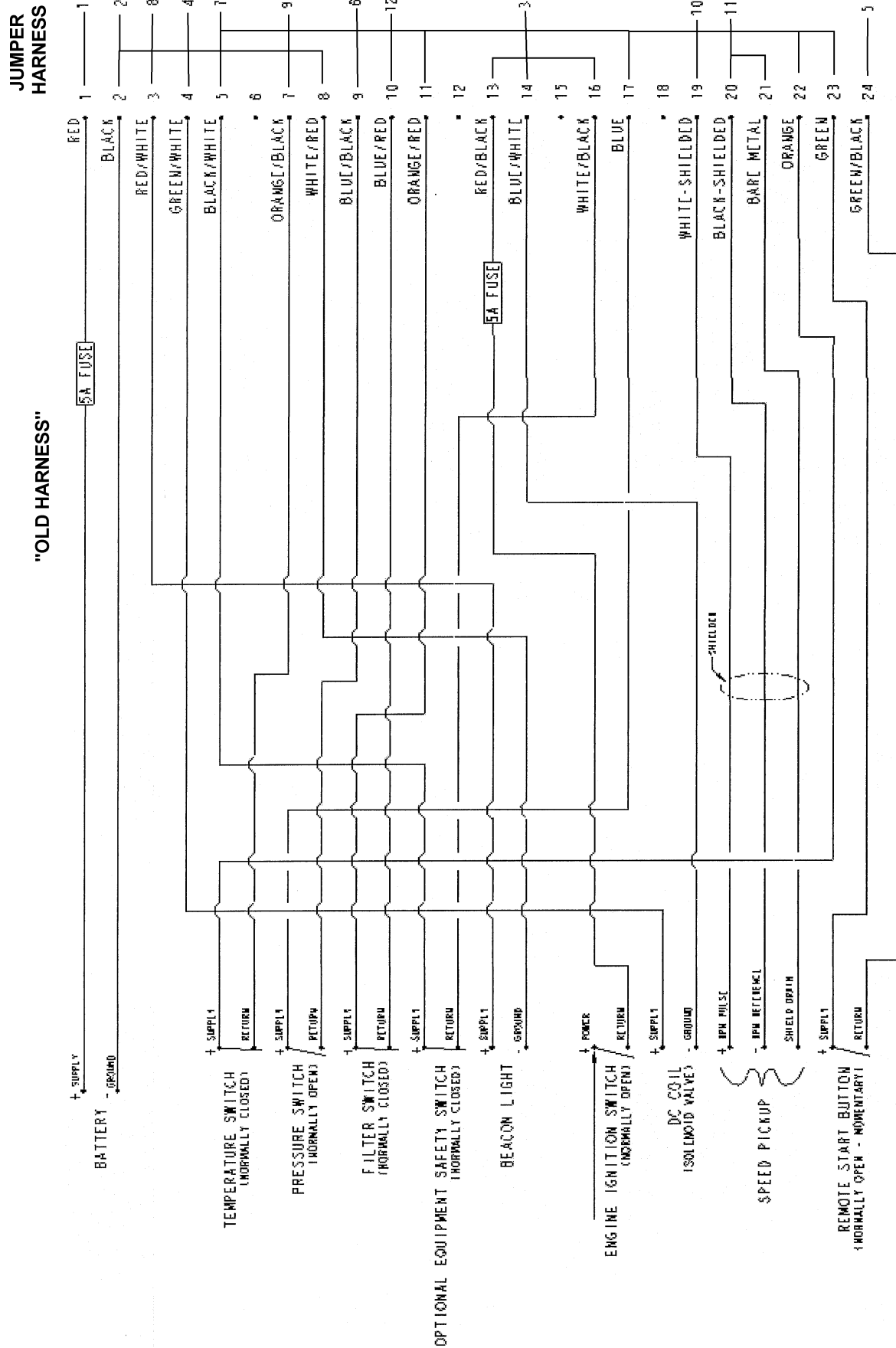
MAIN WIRING HARNESS - CONTROL PANEL & MACHINE

**MAIN WIRING HARNESS - CONTROL PANEL - SEE FOLD
OUTS PAGE FO-3 IN APPENDIX A AT THE END OF THE
MANUAL**

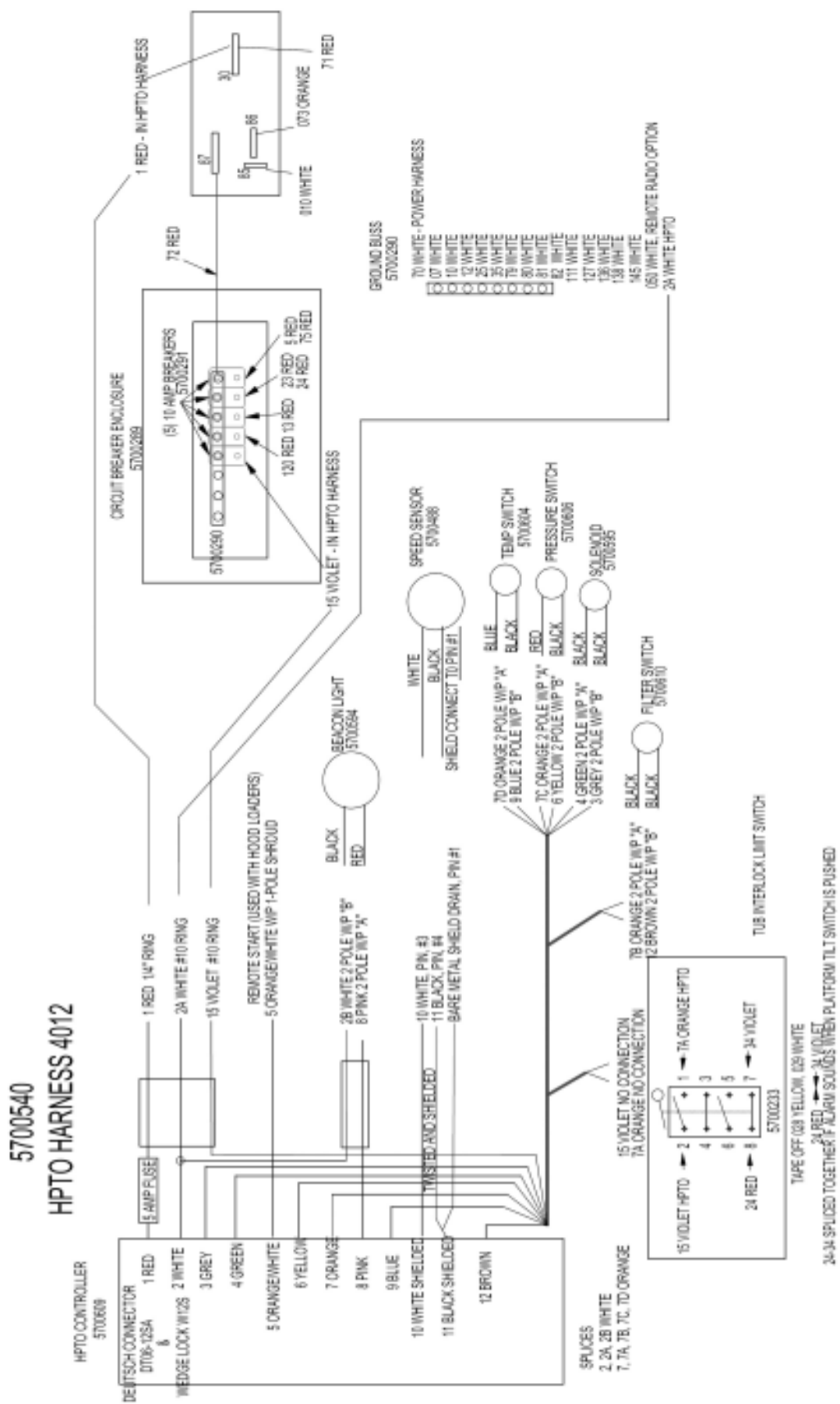
**MAIN WIRING HARNESS - MACHINE - SEE FOLD OUTS
PAGE FO-4 IN APPENDIX A AT THE END OF THE MANUAL**



ORIGINAL CLUTCH WIRING HARNESS

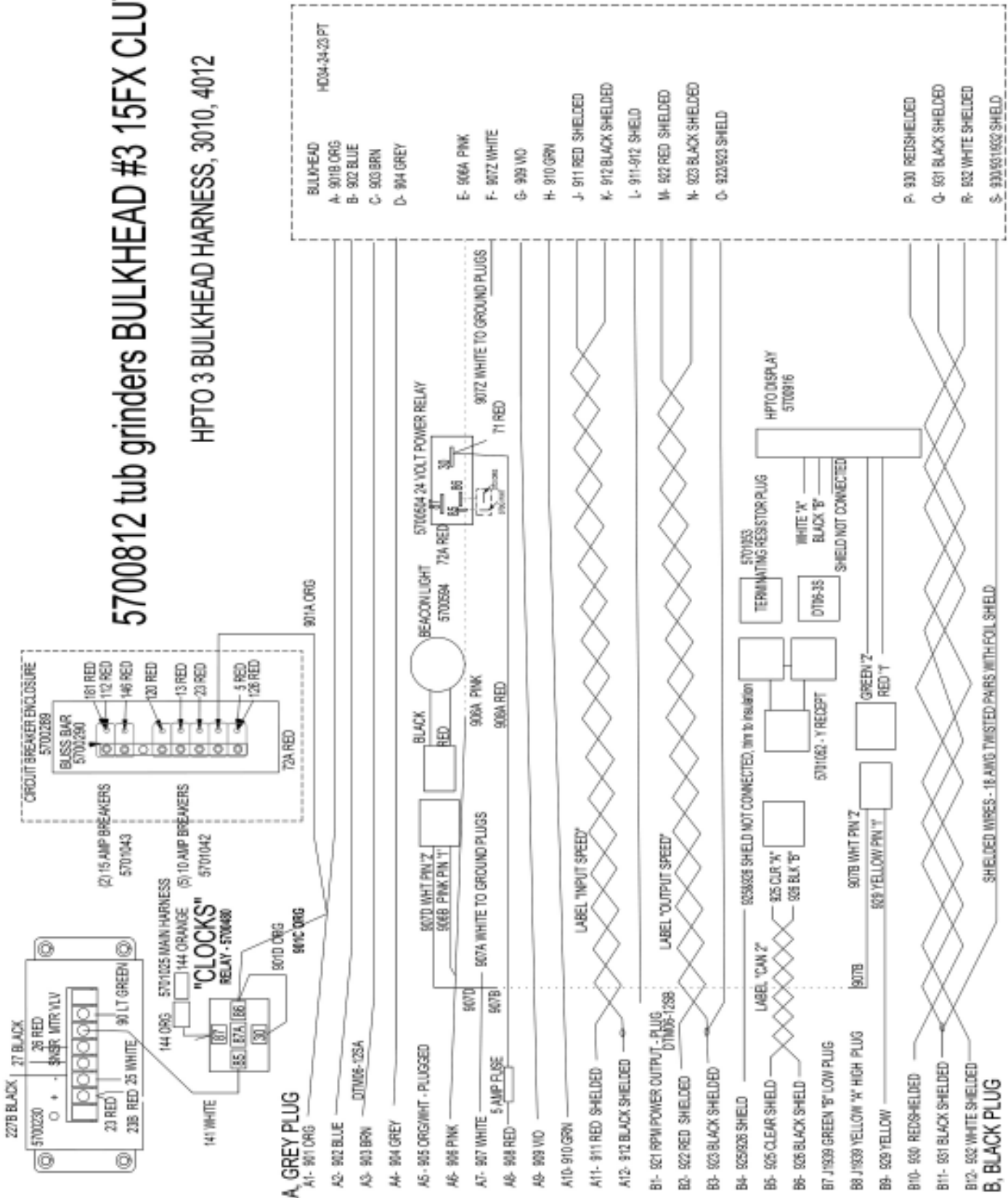


CLUTCH WIRING HARNESS - 5700540



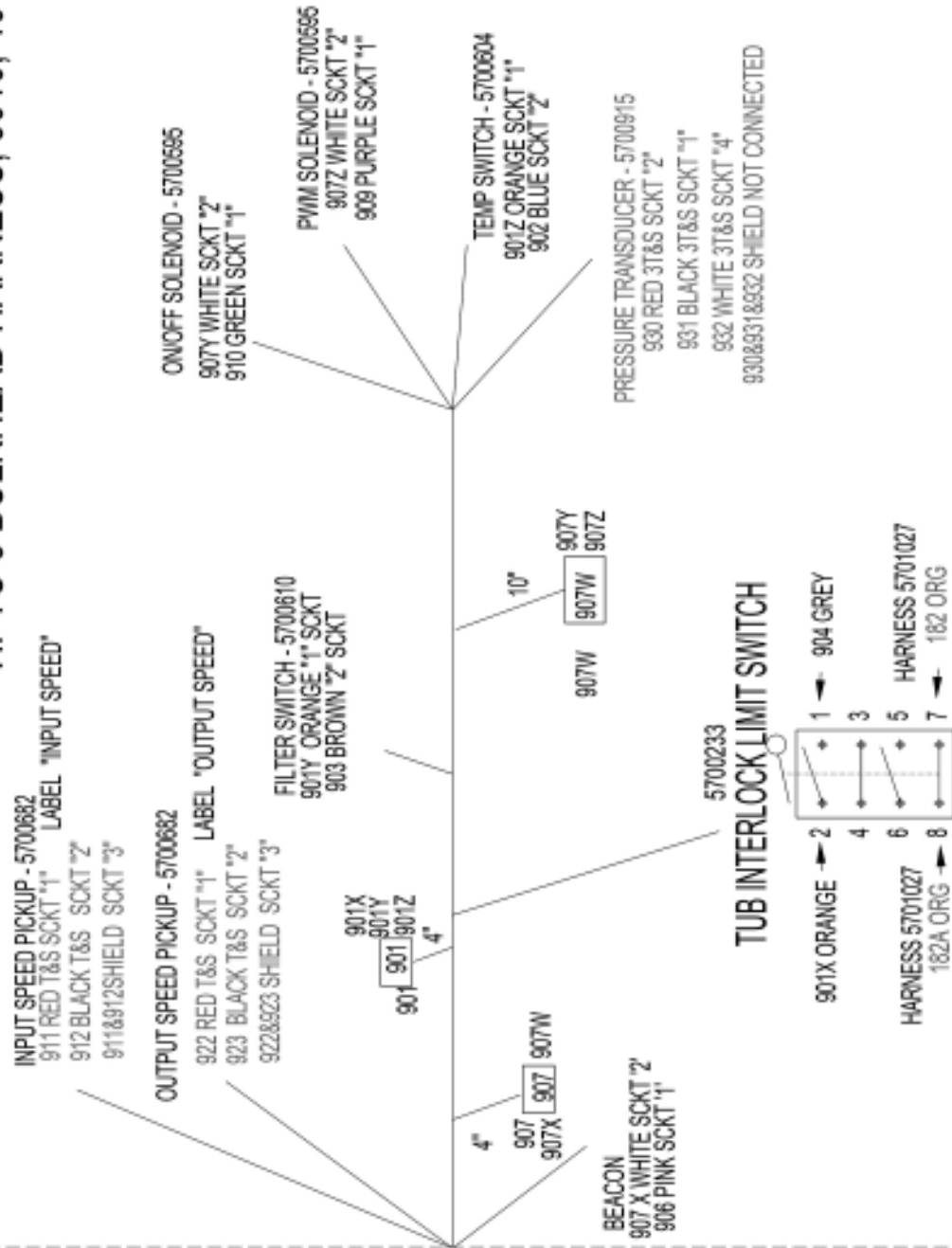
5700812 tub grinders BULKHEAD #3 15FX CLUTCH

HPTO 3 BULKHEAD HARNESS, 3010, 4012

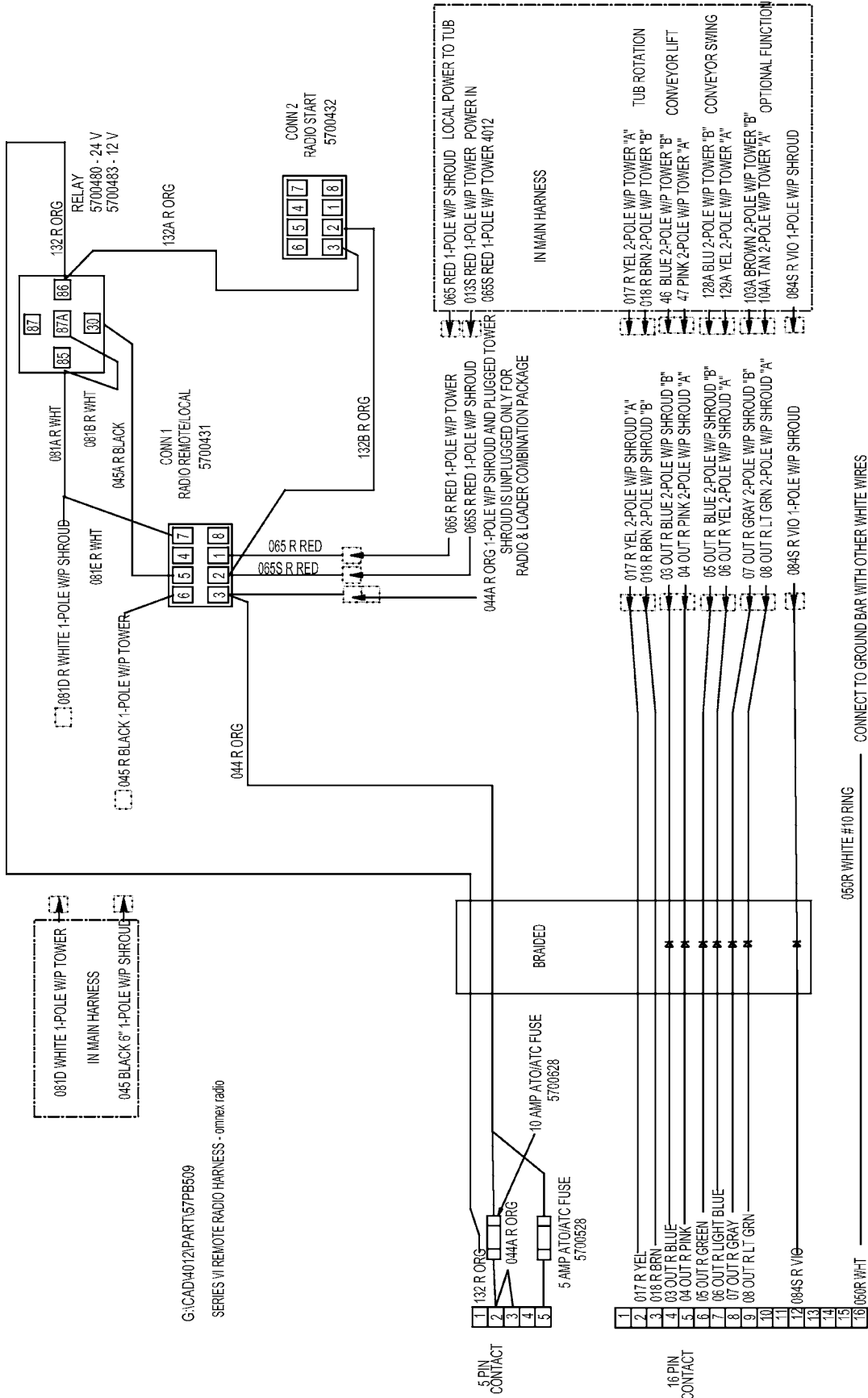


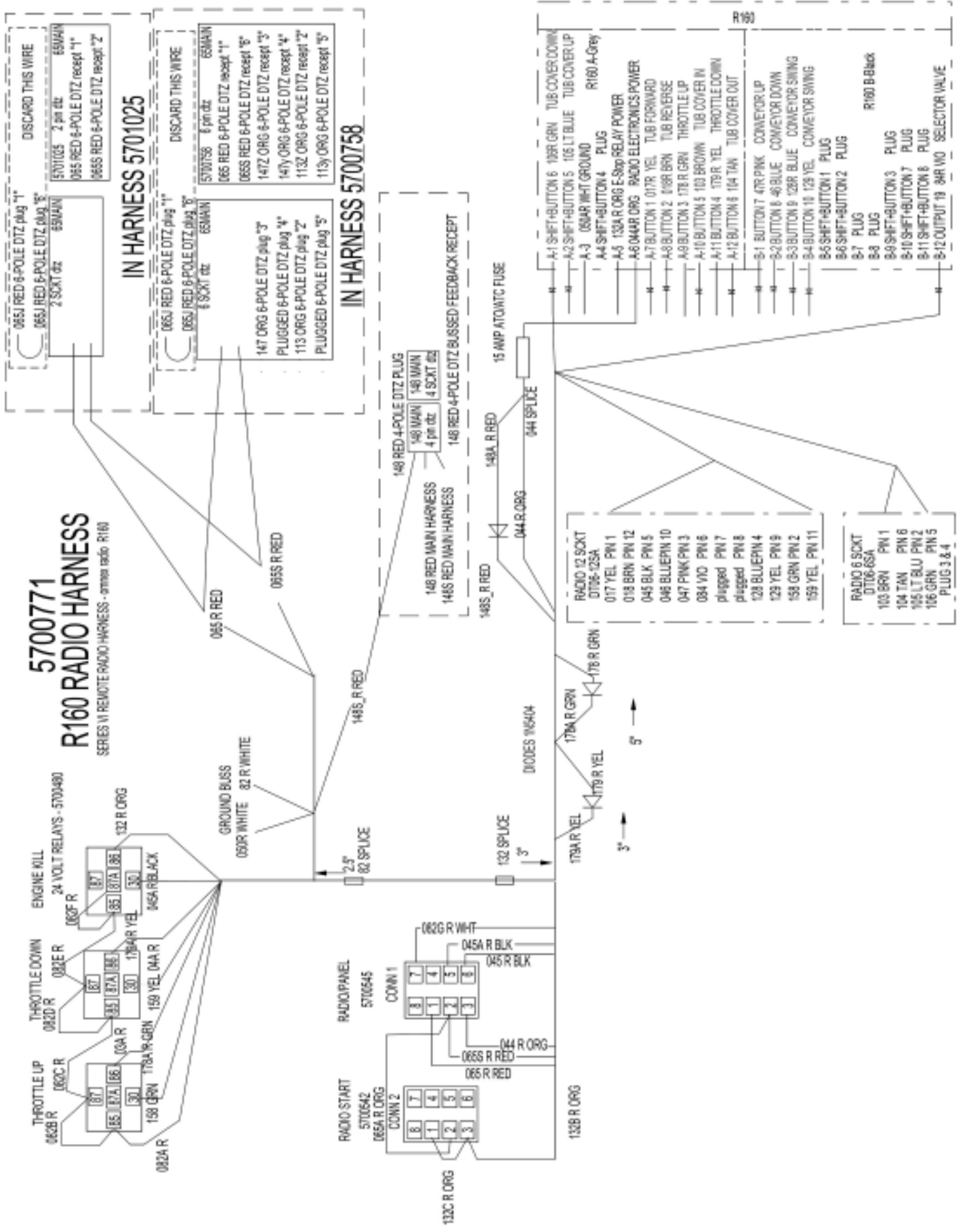
5700813 tub grinders BULKHEAD #3 15FX CLUTCH HPTO 3 BULKHEAD HARNESS, 3010, 4012

BULKHEAD	HD36-24-23 ST-069
A- 901 ORG	
B- 902 BLUE	
C- 903 BRN	
D- 904 GREY	
E- 906A PINK	
F- 907C WHITE	
G- 909 VIO	
H- 910 GRN	
J- 911 RED SHIELDED	
K- 912 BLACK SHIELDED	
L- 911-912 SHIELD	
M- 922 RED SHIELDED	
N- 923 BLACK SHIELDED	
O- 922/923 SHIELD	
P- 930 REDSHIELDED	
Q- 931 BLACK SHIELDED	
R- 932 WHITE SHIELDED	
S- 930/931/932 SHIELD	

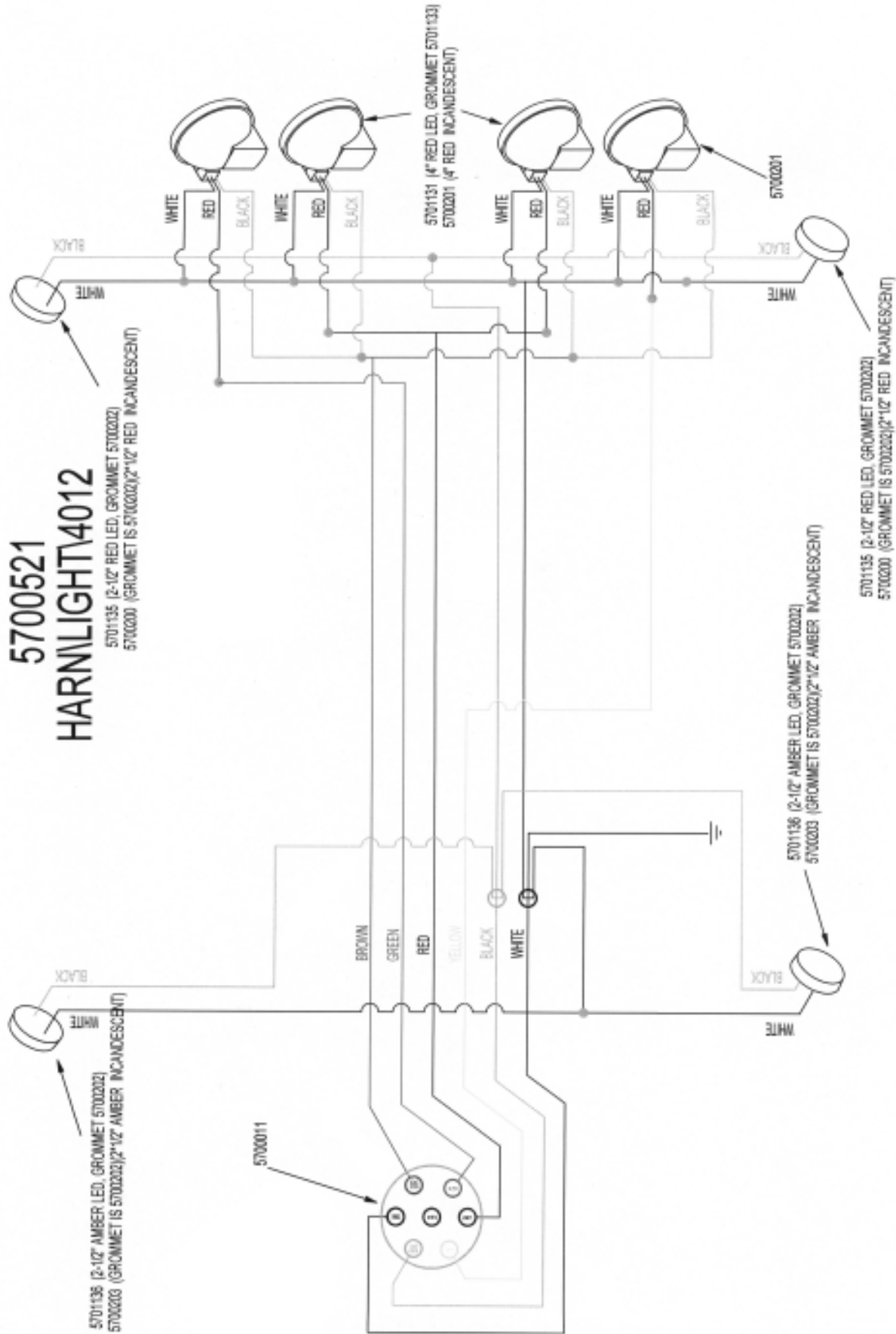


OMNEX RADIO WIRING HARNESS - 5700509

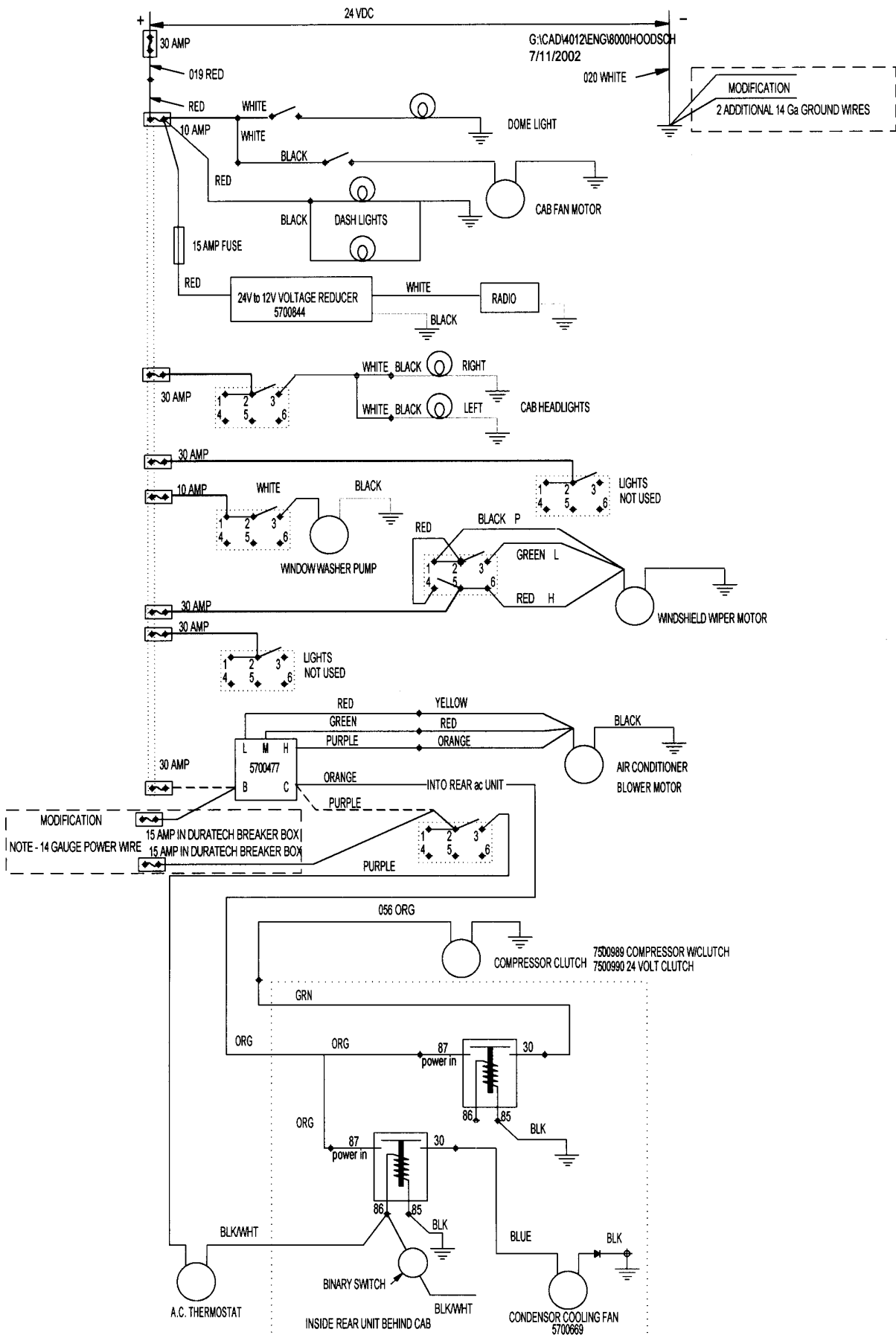




TAIL LIGHT WIRING HARNESS - 5700521

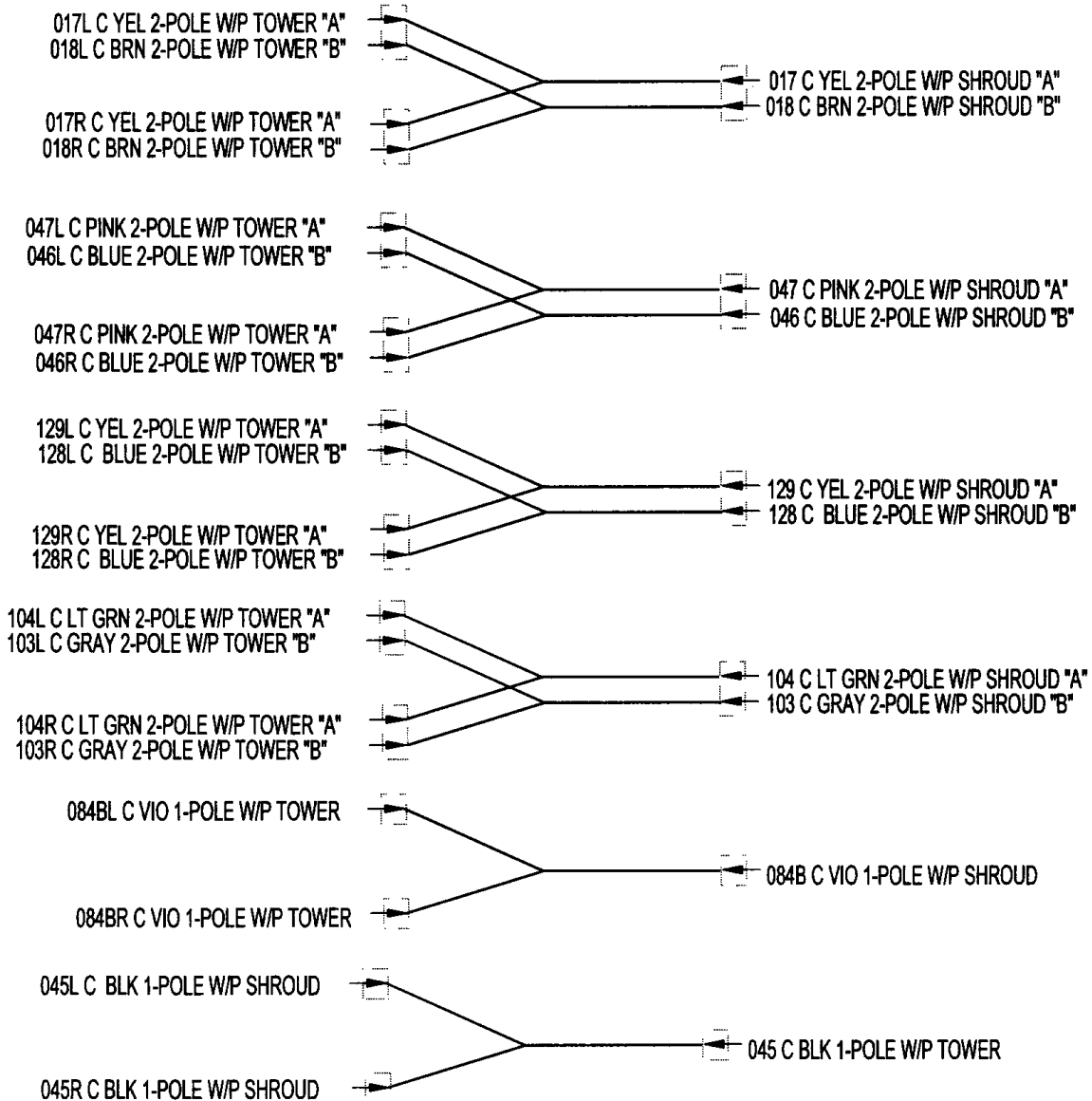
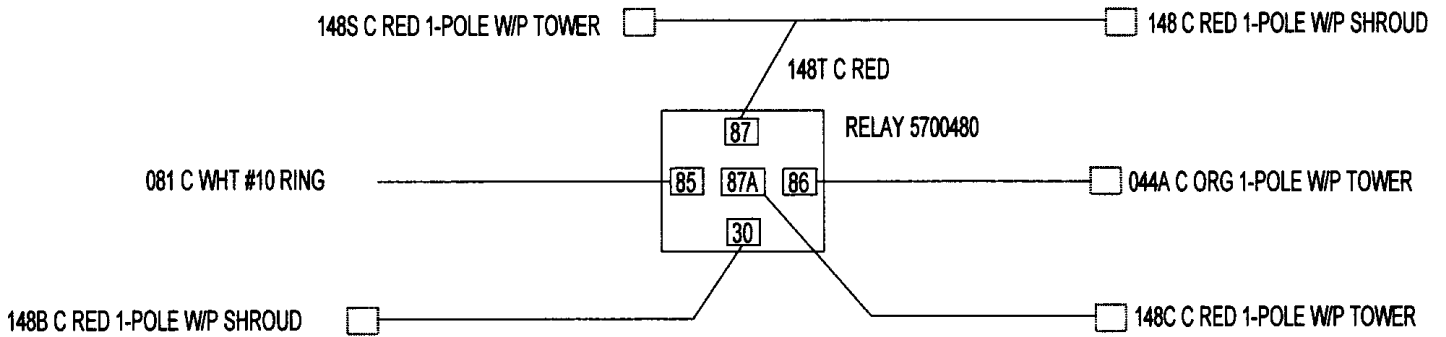


LOADER SCHEMATIC



PANEL/REMOTE SWITCH WIRING - 5700522

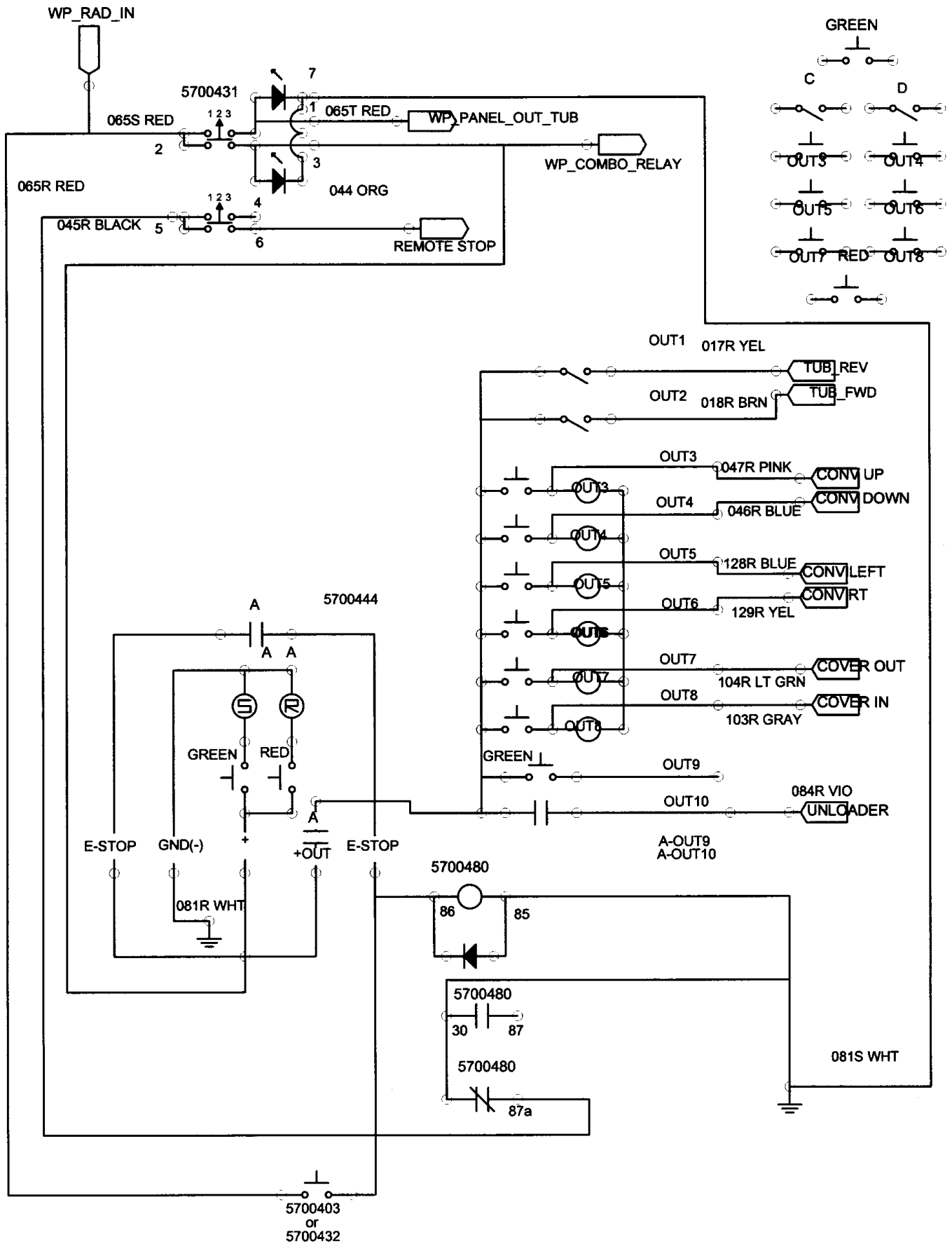
SERIES VI COMBINATION HARNESS WHEN BOTH LOADER AND RADIO OPTIONS ARE USED



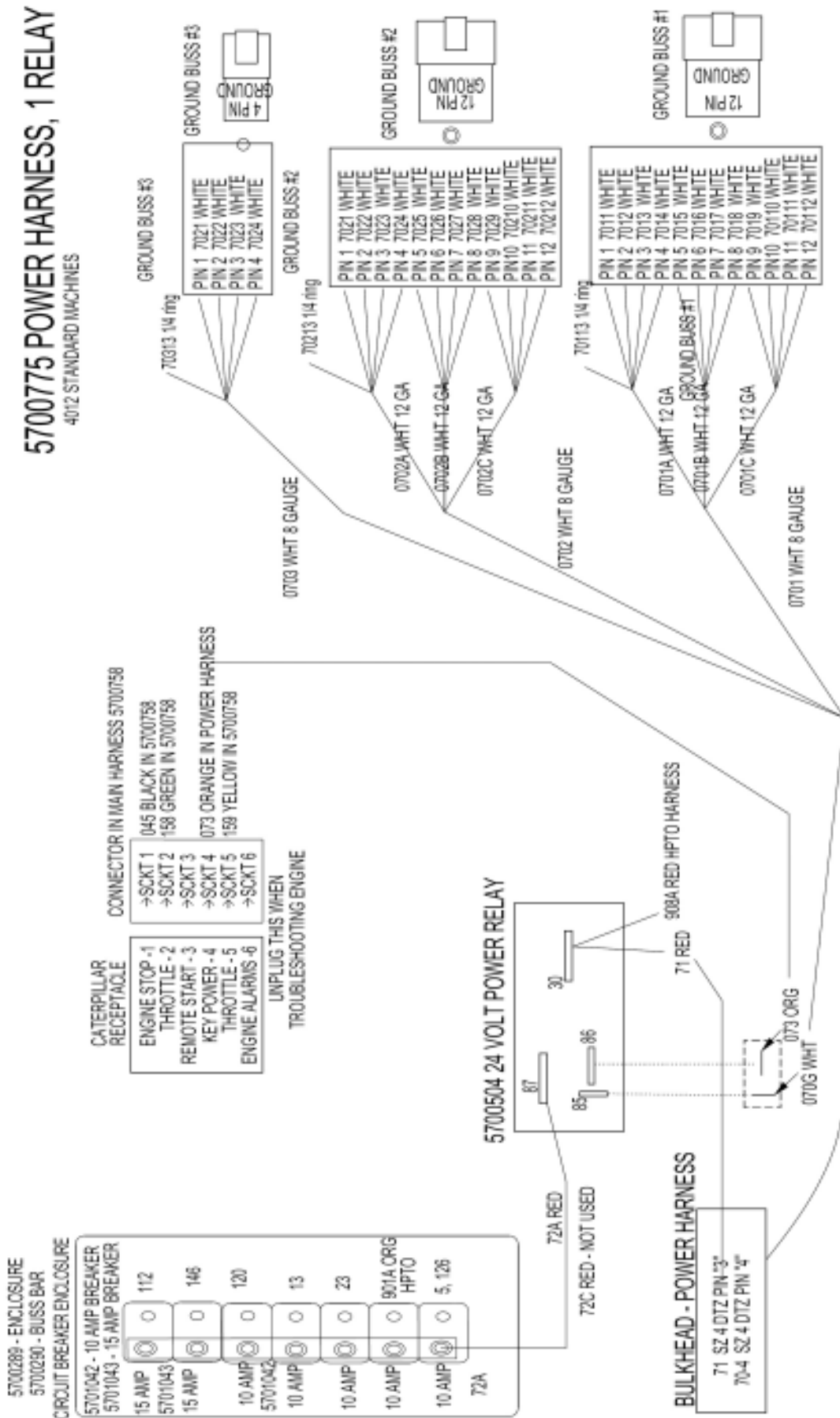
PANEL/REMOTE COMBINATION HARNESS

**PANEL/REMOTE COMBINATION HARNESS - SEE FOLD
OUTS PAGE FO-13 IN APPENDIX A AT THE END OF THE
MANUAL**

RADIO LADDER - 5700509

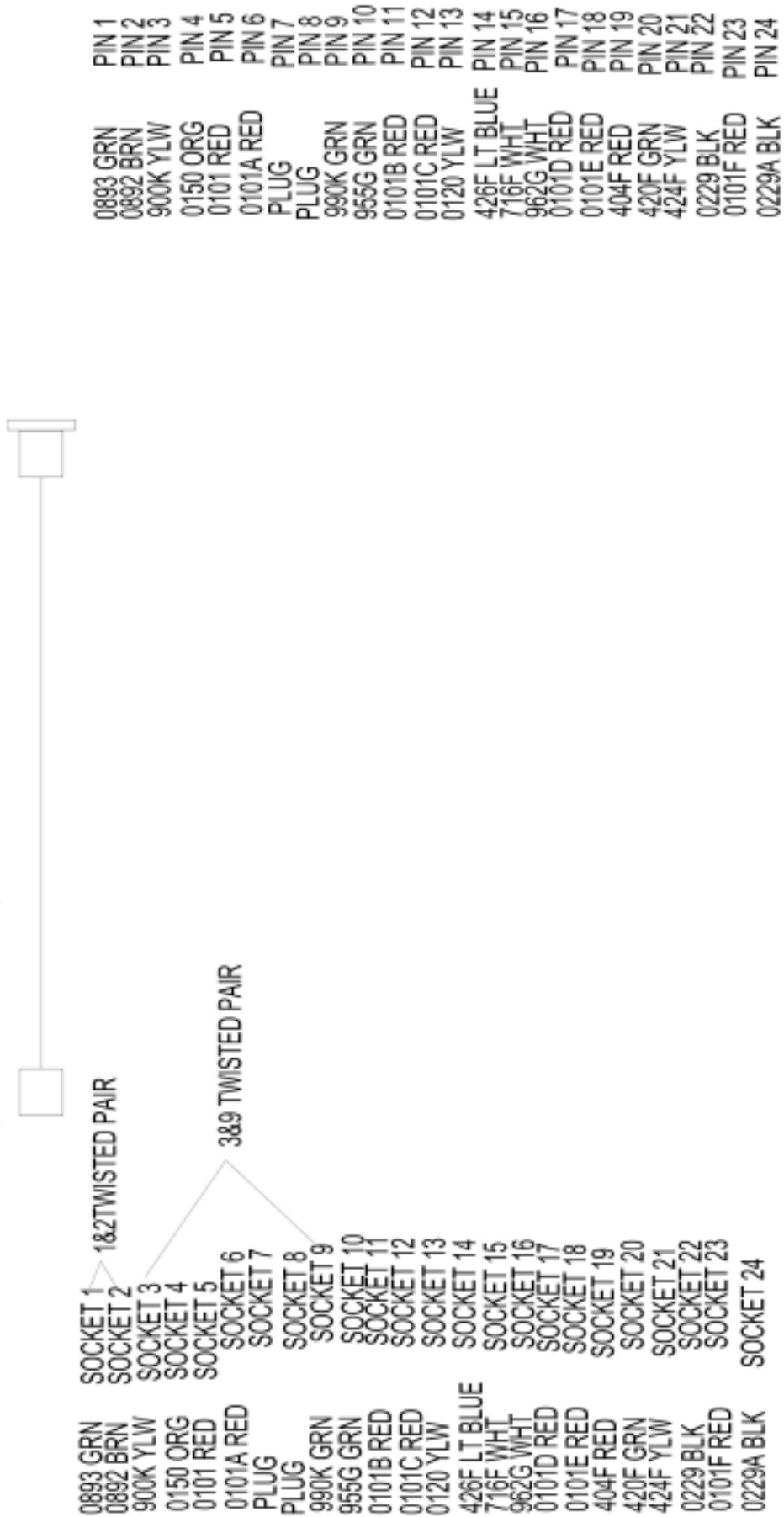


5700775 POWER HARNESS, 1 RELAY
4012 STANDARD MACHINES

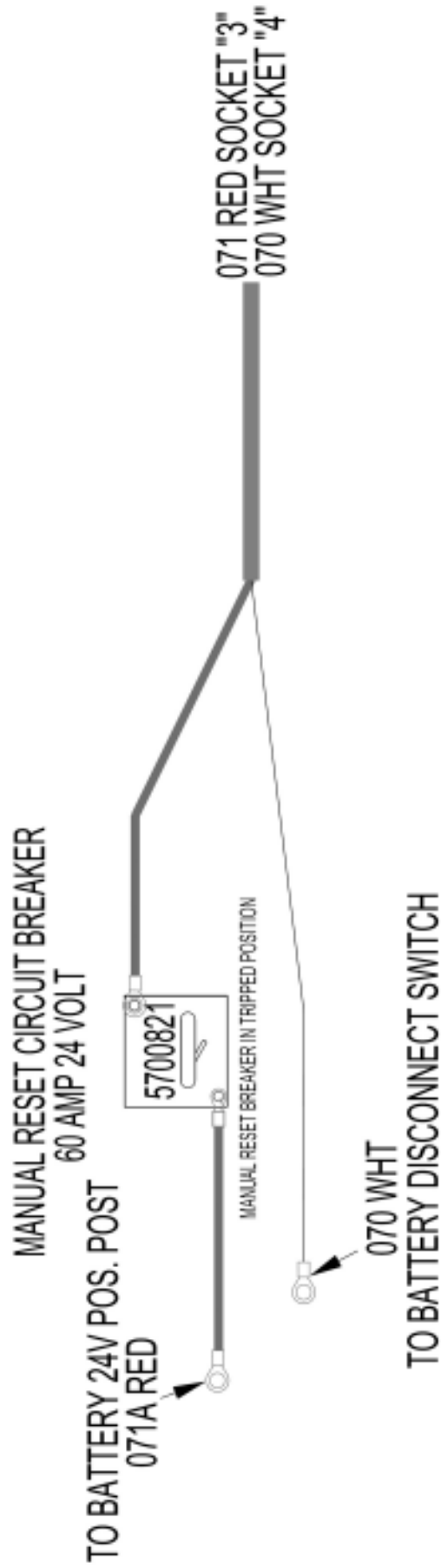


5700777

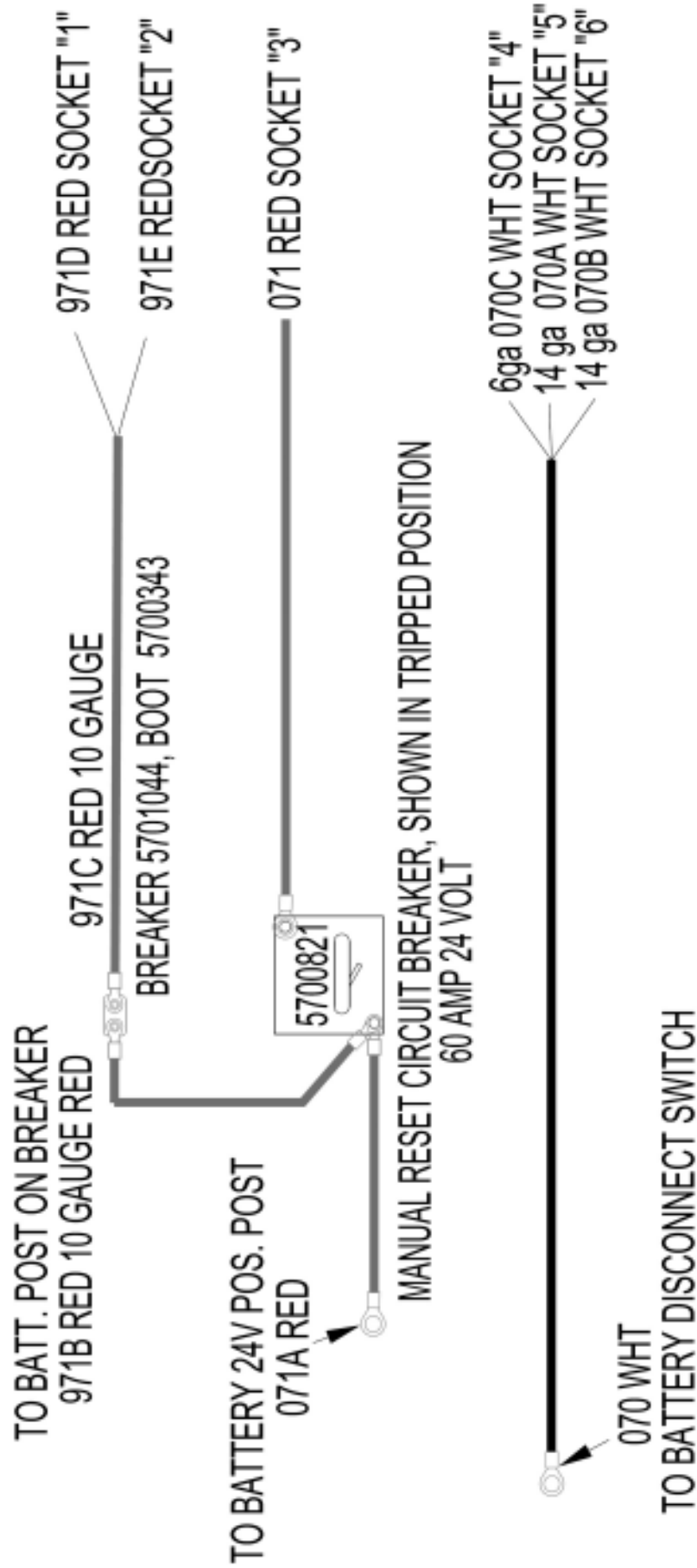
TUB GRINDER, BULKHEAD PANEL, CATERPILLAR ENGINE TIER 3 CONTROL PANEL JUMPER

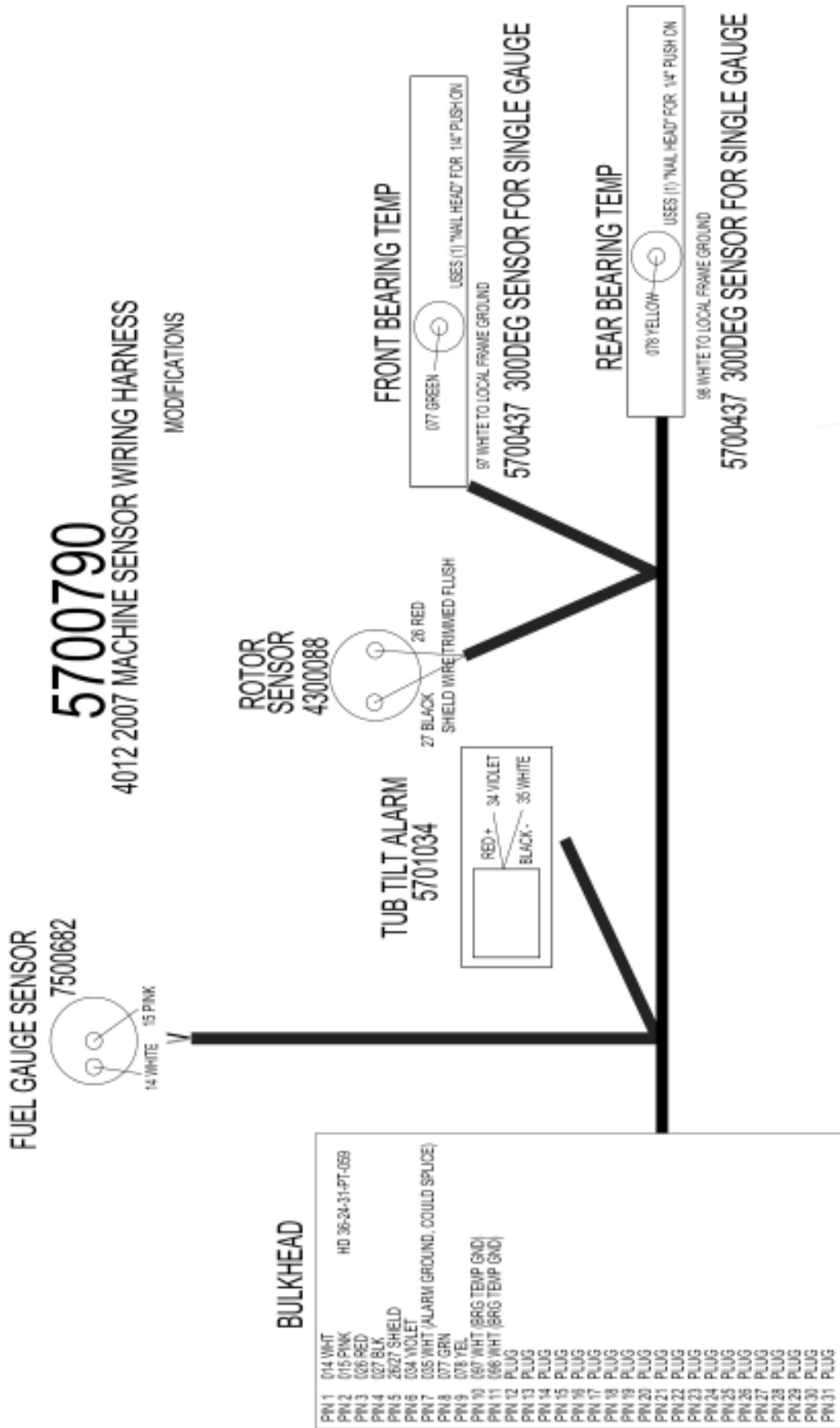


5700786 4012 POWER HARNESS



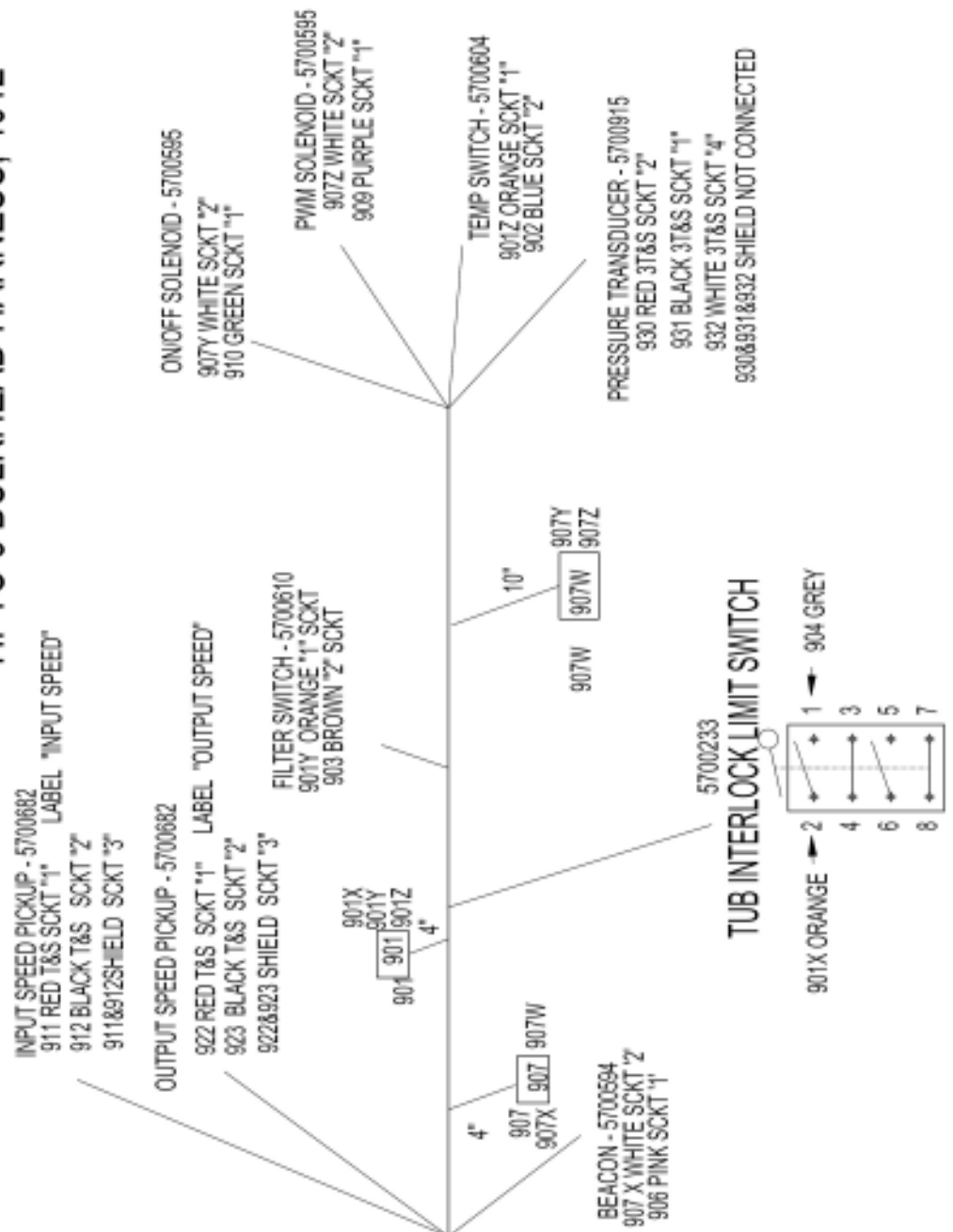
5700787 4012 GRAPPLE LOADER POWER HARNESS



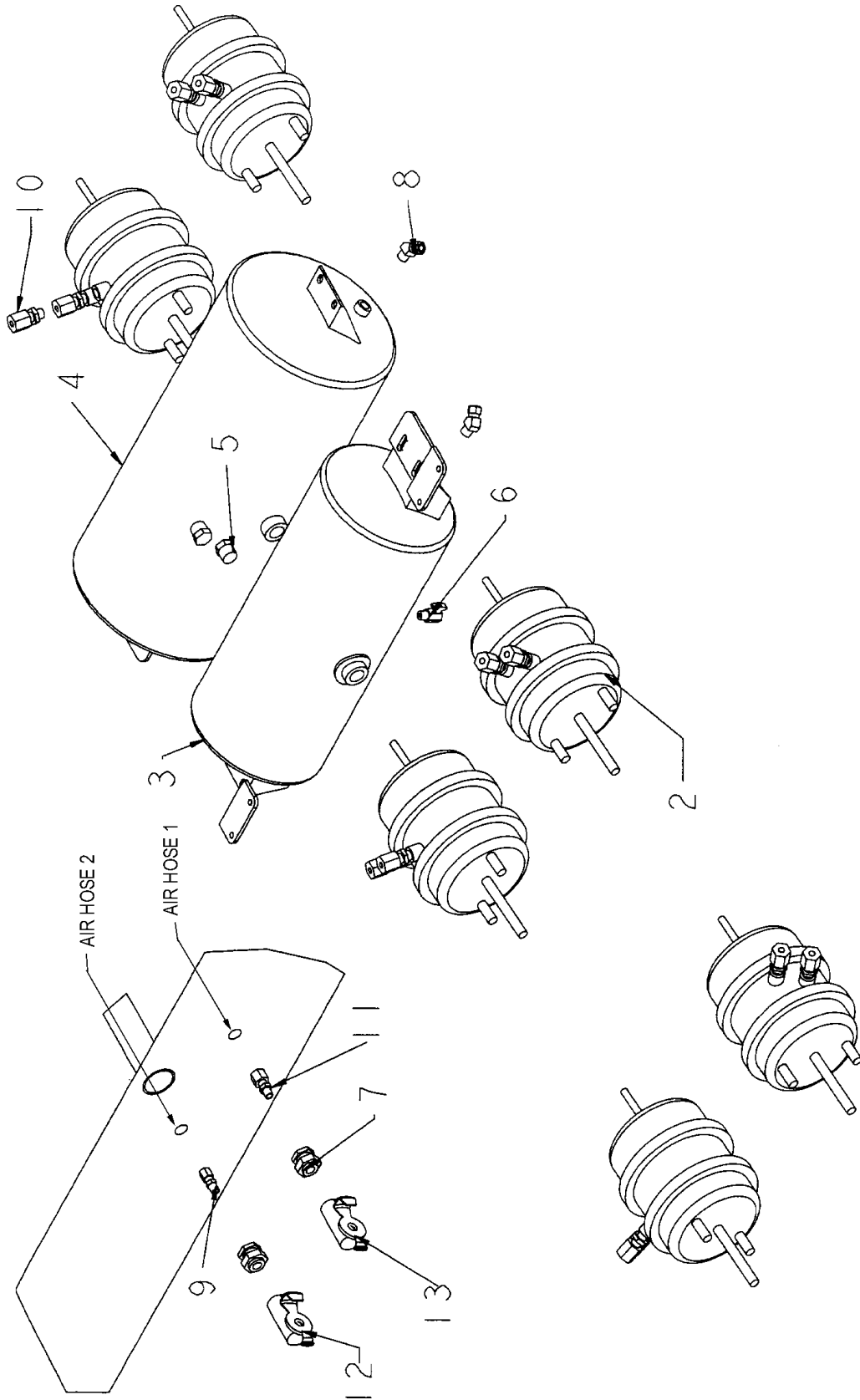


5701149 tub grinders BULKHEAD #3 15FX CLUTCH HPTO 3 BULKHEAD HARNESS, 4012

BULKHEAD	HD36-24-23 ST-059
A- 901 ORG	
B- 902 BLUE	
C- 903 BRN	
D- 904 GREY	
E- 906A PINK	
F- 907C WHITE	
G- 909 VIO	
H- 910 GRN	
J- 911 RED SHIELDED	
K- 912 BLACK SHIELDED	
L- 911-912 SHIELD	
M- 922 RED SHIELDED	
N- 923 BLACK SHIELDED	
O- 922/923 SHIELD	
P- 930 REDSHIELDED	
Q- 931 BLACK SHIELDED	
R- 932 WHITE SHIELDED	
S- 930/931/932 SHIELD	



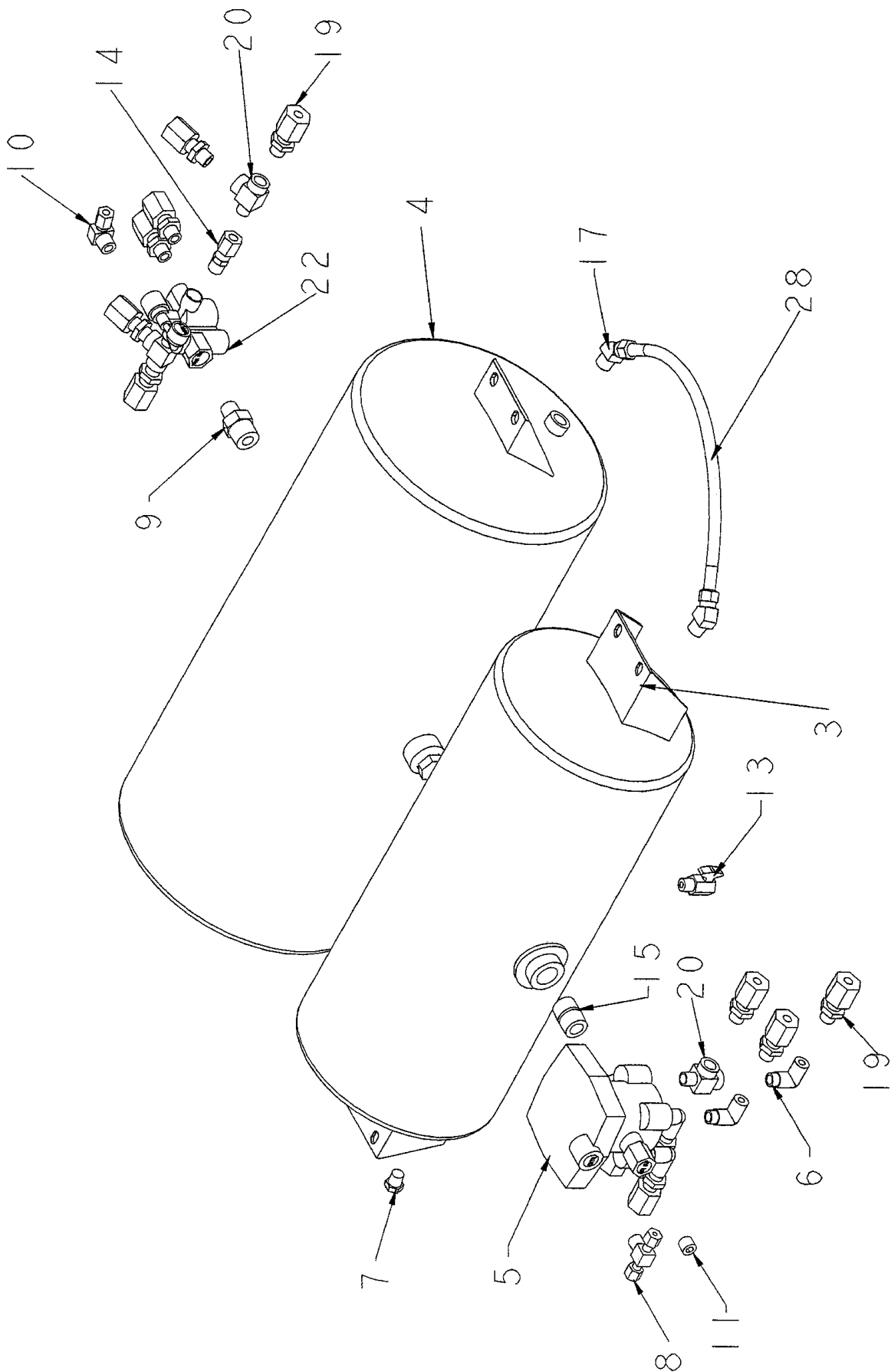
UNIVERSAL AIR BRAKE PARTS



UNIVERSAL AIR BRAKE PARTS

ITEM	PART	QTY.	PART DESCRIPTION
1	4012-BRAKES-COMMON-PARTS	1	KIT\AIR-BRAKE\4012
2	2500632	6	30\30\AIRCHMBR\BRK\KIT\4012
3	2500909	1	AIR TANK SMALL 2001
4	2500919	1	TANK\AIR\2880\1BUNG\2SIDE
5	3800441	2	FTG\3\4MP\PLUG\HEX
6	3800518	2	FTG\AIR\1\4MP\DRAIN\BRS
7	3800640	2	FTG\AIR\3\8FP\BLKHD\BUSH
8	3800776	2	FTG\AIR\1\2COMPX3\8MP\45D
9	3800782	1	FTG\AIR\3\8COMPX1\4MP\ADPT\BRS\LW
10	3800785	12	FTG\AIR\3\8COMPRUBX3\8MP\ADPT\LW
11	3800787	1	FTG\AIR\1\2COMPX1\4MP\ADPT\BRS\LW
12	7500461	1	GLAD HAND SERVICE
13	7500462	1	GLAD HAND EMERGENCY

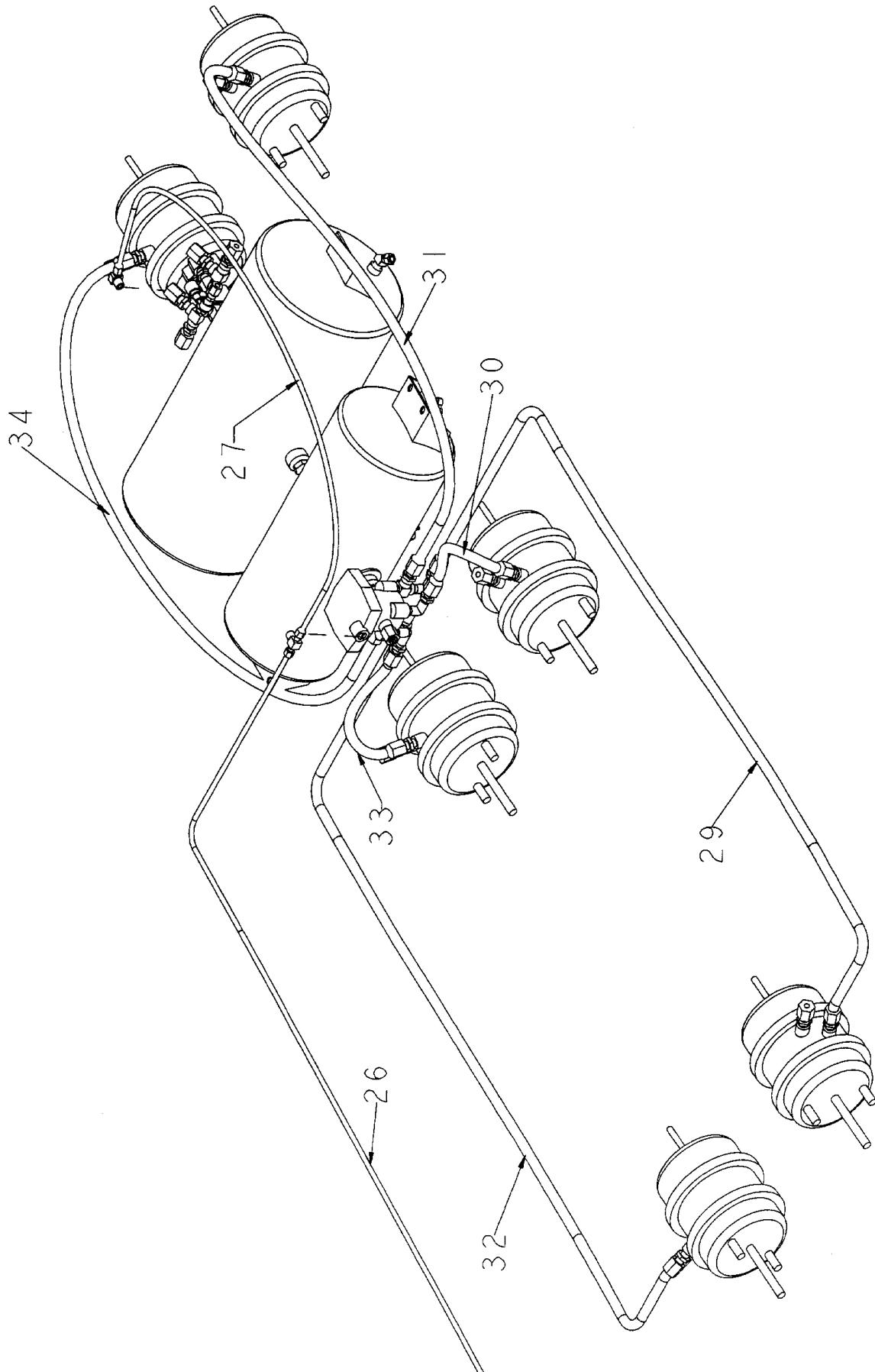
STANDARD AIR BRAKES



STANDARD AIR BRAKES

ITEM	PART	QTY.	PART DESCRIPTION
1	4012-BRAKES - STANDARD - VERSION	1	4012- BRAKES - STANDARD - VERSION
2	2500632	6	30/30\AIRCHMBR\BRK\KIT\4012
3	2500909	1	AIR TANK SMALL 2001
4	2500919	1	TANK\AIR\2880\1BUNG\2SIDE
5	2500962	1	VALVE\BRAKE\RELY\SERV\ 39
6	3800031	4	FTG\3/8MPX3/8FP\90\ST;EL
7	3800173	2	FTG\3/8MP\PLUG\HEX
8	3800190	1	FTG\AIR\3/8COMPX3/8COMPX3/8MP\BR;TEE
9	3800193	1	FTG\3/4MPX1/2MP\NPL
10	3800194	1	FTG\AIR\3/8COMPX3/8MP\90
11	3800326	1	FTG\3/8MP\PLUG\ALN
12	3800441	2	FTG\3/4MP\PLUG\HEX
13	3800518	2	FTG\AIR\1/4MP\DRAIN\BRS
14	3800520	1	FTG\AIR\1/2COMPX3/8MP\ADPT~BRS\LW
15	3800573	1	FTG\3/4MP\CLS;NPL\LW
16	3800902	2	FTG\AIR\1/2MPX1/4FP\BLKHD
17	3800776	2	FTG\AIR\1/2COMPX3/8MP\45D
18	3800782	1	FTG\AIR\3/8COMPX\4MP\ADPT\BRS\LW
19	3800785	24	FTG\AIR\3/8COMPRUBX3/8MP\ADPT\LW
20	3800786	4	FTG\BRS\3/8MPX3/8FPX3/8FP
21	3800787	1	FTG\AIR\1/2COMPX1/4MP\ADPT\BRS\LW
22	7500460	1	VALVE\BRAKE\CNTRL\SPRING
23	7500461	1	GLAD HAND SERVICE
24	7500462	1	GLAD HAND EMERGENCYI
25	AIR-1-4012-US-VERSION	1	
26	AIR-2-4012-US-VERSION	1	
27	AIR-3-4012-US-VERSION	1	
28	AIR-5-4012-US-VERSION	1	
29	AIR-11-4012-US-VERSION	1	
30	AIR-12-4012-US-VERSION	1	
31	AIR-13-4012-US-VERSION	1	
32	AIR-14-4012-US-VERSION	1	
33	AIR-15-4012-US-VERSION	1	
34	AIR-16-4012-US-VERSION	1	
35	AIR-21-4012-US-VERSION	1	
36	AIR-22-4012-US-VERSION	1	
37	AIR-23-4012-US-VERSION	1	
38	AIR-24-4012-US-VERSION	1	
39	AIR-25-4012-US-VERSION	1	
40	AIR-26-4012-US-VERSION	1	

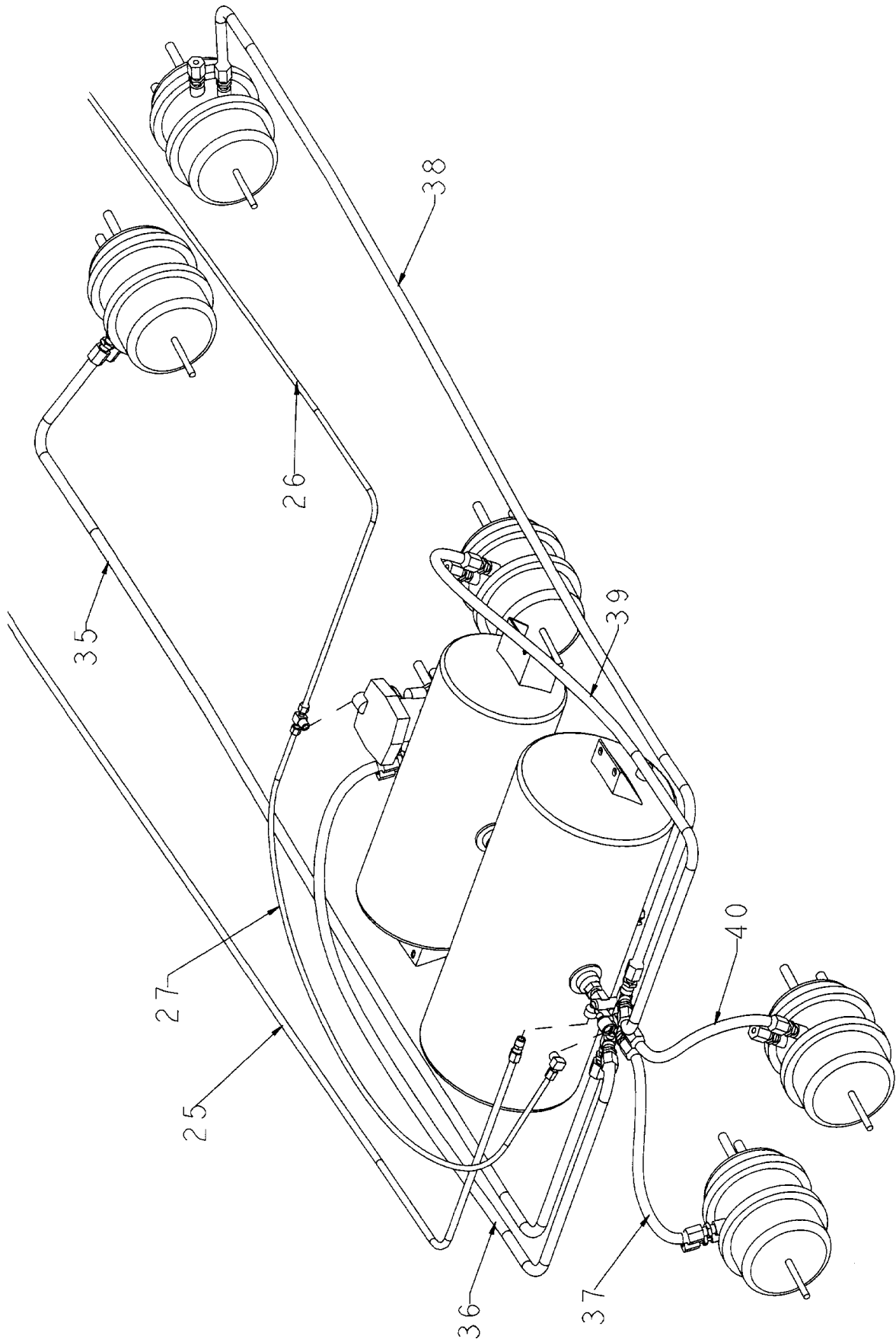
STANDARD AIR BRAKES



STANDARD AIR BRAKES

ITEM	PART	QTY.	PART DESCRIPTION
1	4012-BRAKES - STANDARD - VERSION	1	4012- BRAKES - STANDARD - VERSION
2	2500632	6	30/30\AIRCHMBR\BRK\KIT\4012
3	2500909	1	AIR TANK SMALL 2001
4	2500919	1	TANK\AIR\2880\1BUNG\2SIDE
5	2500962	1	VALVE\BRAKE\RELY\SERV\I 39
6	3800031	4	FTG\3/8MPX3/8FP\90\ST;EL
7	3800173	2	FTG\3/8MP\PLUG\HEX
8	3800190	1	FTG\AIR\3/8COMPX3/8COMPX3/8MP\BR;TEE
9	3800193	1	FTG\3/4MPX1/2MP\NPL
10	3800194	1	FTG\AIR\3/8COMPX3/8MP\90
11	3800326	1	FTG\3/8MP\PLUG\ALN
12	3800441	2	FTG\3/4MP\PLUG\HEX
13	3800518	2	FTG\AIR\1/4MP\DRAIN\BRS
14	3800520	1	FTG\AIR\1/2COMPX3/8MP\ADPT~BRS\LW
15	3800573	1	FTG\3/4MP\CLS;NPL\LW
16	3800902	2	FTG\AIR\1/2MPX1/4FP\BLKHD
17	3800776	2	FTG\AIR\1/2COMPX3/8MP\45D
18	3800782	1	FTG\AIR\3/8COMPXI/4MP\ADPT\BRS\LW
19	3800785	24	FTG\AIR\3/8COMPRUBX3/8MP\ADPT\LW
20	3800786	4	FTG\BRS\3/8MPX3/8FPX3/8FP
21	3800787	1	FTG\AIR\1/2COMPX1/4MP\ADPT\BRS\LW
22	7500460	1	VALVE\BRAKE\CNTRL\SPRING
23	7500461	1	GLAD HAND SERVICE
24	7500462	1	GLAD HAND EMERGENCYI
25	AIR-1-4012-US-VERSION	1	
26	AIR-2-4012-US-VERSION	1	
27	AIR-3-4012-US-VERSION	1	
28	AIR-5-4012-US-VERSION	1	
29	AIR-11-4012-US-VERSION	1	
30	AIR-12-4012-US-VERSION	1	
31	AIR-13-4012-US-VERSION	1	
32	AIR-14-4012-US-VERSION	1	
33	AIR-15-4012-US-VERSION	1	
34	AIR-16-4012-US-VERSION	1	
35	AIR-21-4012-US-VERSION	1	
36	AIR-22-4012-US-VERSION	1	
37	AIR-23-4012-US-VERSION	1	
38	AIR-24-4012-US-VERSION	1	
39	AIR-25-4012-US-VERSION	1	
40	AIR-26-4012-US-VERSION	1	

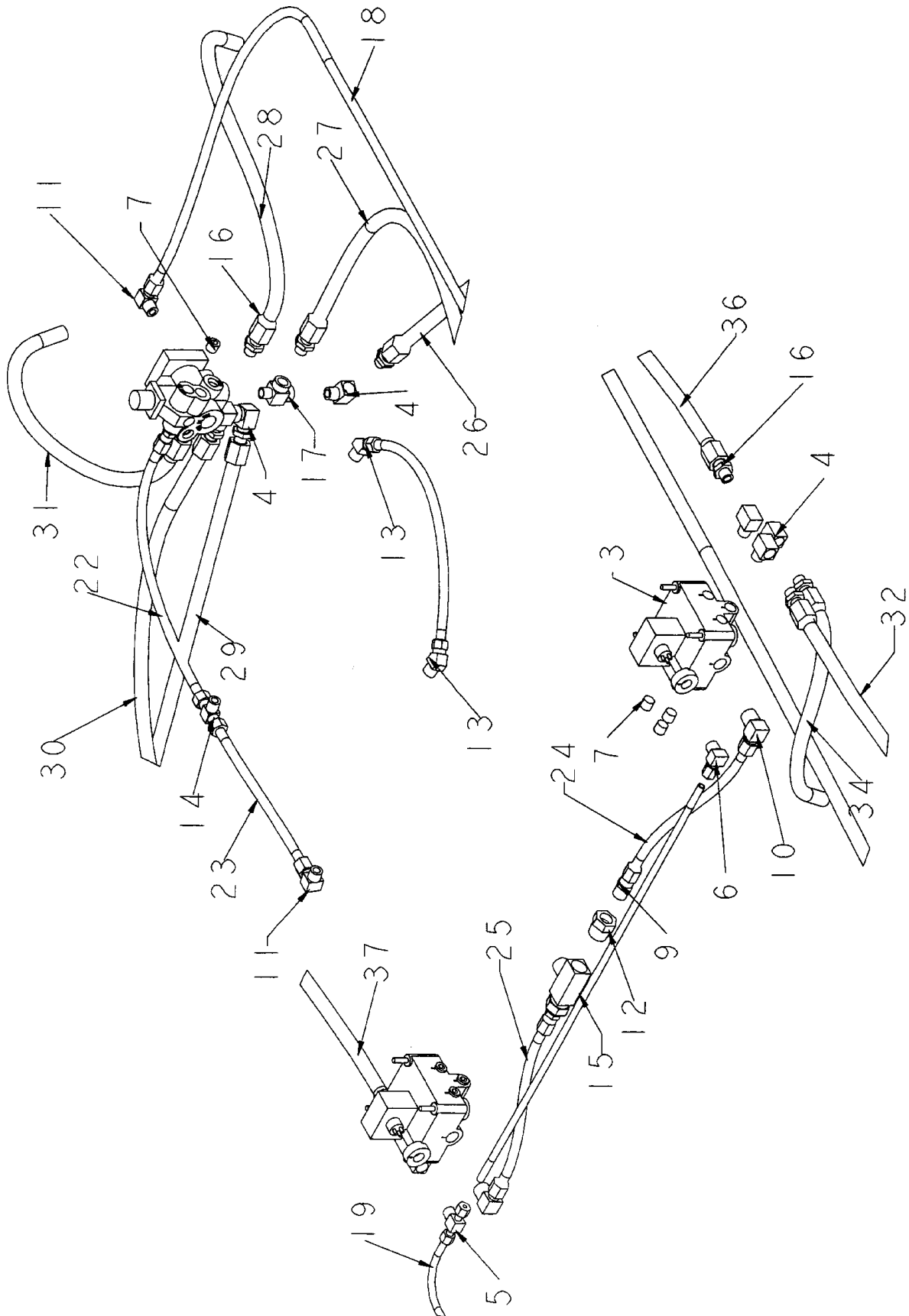
STANDARD AIR BRAKES



STANDARD AIR BRAKES

ITEM	PART	QTY.	PART DESCRIPTION
1	4012-BRAKES - STANDARD - VERSION	1	4012- BRAKES - STANDARD - VERSION
2	2500632	6	30/30\AIRCHMBR\BRK\KIT\4012
3	2500909	1	AIR TANK SMALL 2001
4	2500919	1	TANK\AIR\2880\1BUNG\2SIDE
5	2500962	1	VALVE\BRAKE\RELY\SERV\ 39
6	3800031	4	FTG\3/8MPX3/8FP\90\ST;EL
7	3800173	2	FTG\3/8MP\PLUG\HEX
8	3800190	1	FTG\AIR\3/8COMPX3/8COMPX3/8MP\BR;TEE
9	3800193	1	FTG\3/4MPX1/2MP\NPL
10	3800194	1	FTG\AIR\3/8COMPX3/8MP\90
11	3800326	1	FTG\3/8MP\PLUG\ALN
12	3800441	2	FTG\3/4MP\PLUG\HEX
13	3800518	2	FTG\AIR\1/4MP\DRAIN\BRS
14	3800520	1	FTG\AIR\1/2COMPX3/8MP\ADPT~BRS\LW
15	3800573	1	FTG\3/4MP\CLS;NPL\LW
16	3800640	2	FTG\AIR\3/8FP\BLKHD\BUSH
17	3800776	2	FTG\AIR\1/2COMPX3/8MP\45D
18	3800782	1	FTG\AIR\3/8COMPXI/4MP\ADPT\BRS\LW
19	3800785	24	FTG\AIR\3/8COMPRUBX3/8MP\ADPT\LW
20	3800786	4	FTG\BRS\3/8MPX3/8FPX3/8FP
21	3800787	1	FTG\AIR\1/2COMPX1/4MP\ADPT\BRS\LW
22	7500460	1	VALVE\BRAKE\CNTRL\SPRING
23	7500461	1	GLAD HAND SERVICE
24	7500462	1	GLAD HAND EMERGENCYI
25	AIR-1-4012-US-VERSION	1	
26	AIR-2-4012-US-VERSION	1	
27	AIR-3-4012-US-VERSION	1	
28	AIR-5-4012-US-VERSION	1	
29	AIR-11-4012-US-VERSION	1	
30	AIR-12-4012-US-VERSION	1	
31	AIR-13-4012-US-VERSION	1	
32	AIR-14-4012-US-VERSION	1	
33	AIR-15-4012-US-VERSION	1	
34	AIR-16-4012-US-VERSION	1	
35	AIR-21-4012-US-VERSION	1	
36	AIR-22-4012-US-VERSION	1	
37	AIR-23-4012-US-VERSION	1	
38	AIR-24-4012-US-VERSION	1	
39	AIR-25-4012-US-VERSION	1	
40	AIR-26-4012-US-VERSION	1	

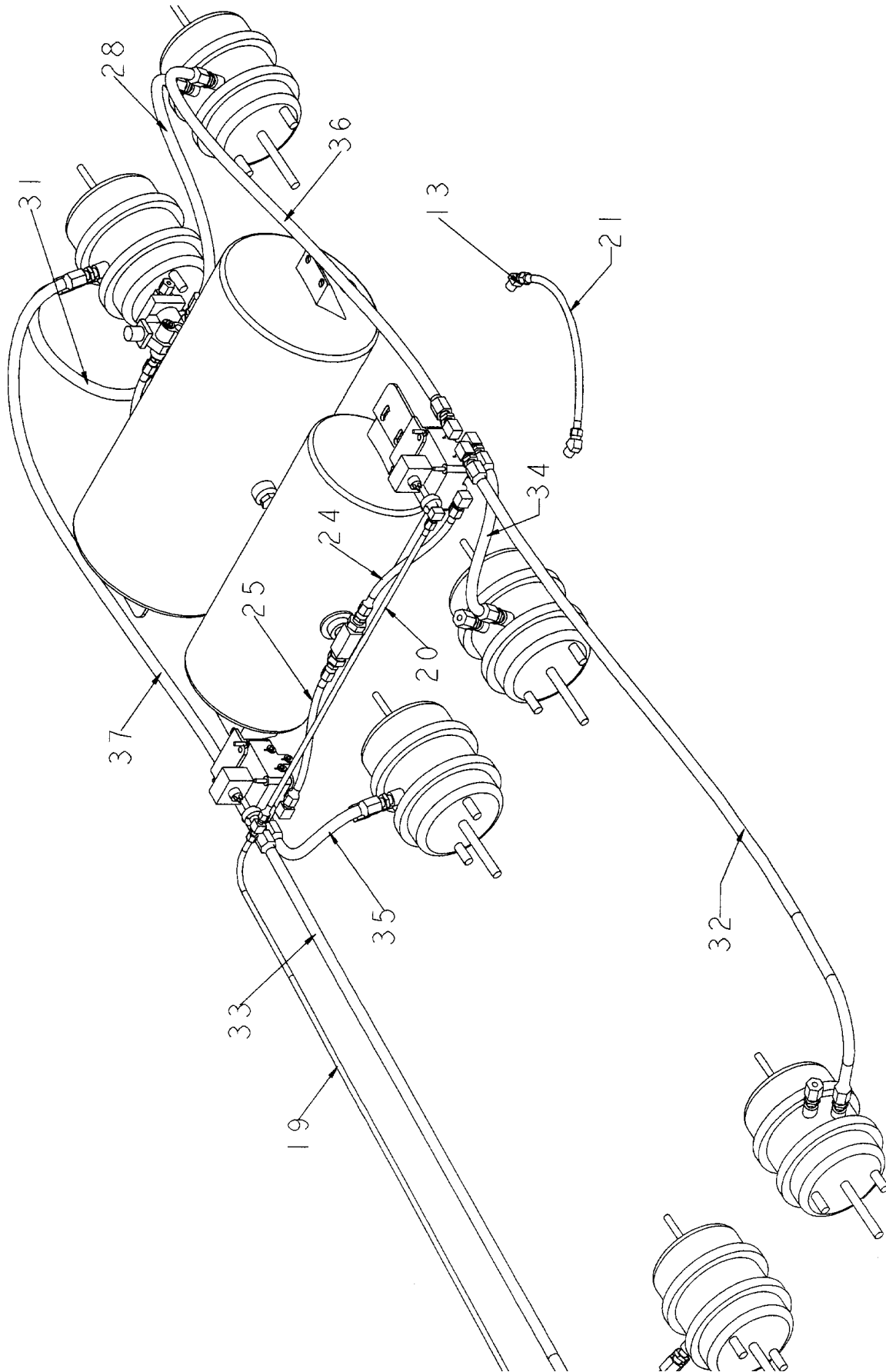
AUSTRALIAN AIR BRAKES



AUSTRALIAN AIR BRAKES

ITEM	PART	QTY.	PART DESCRIPTION
1	4012_BRAKES - ABS – AUSTRALIA_	1	BRAKES\4012\ABS\AUSTRALIA
2	2500632	6	30\30\AIRCHMBR\BRK\KIT\4012
3	2500939	2	VALVE\ABS\RV040
4	3800176	8	FTG\AIR\3\8MPX3\8FP\90D\ST;EL\BRASS
5	3800190	1	FTG\AIR\3\8COMPX3\8COMPX3\8MP\BR;TEE
6	3800194	1	FTG\AIR\3\8COMPX3\8MP\90
7	3800326	7	FTG\3\8MP\PLUG\ALN
8	3800520	1	FTG\AIR\1\2COMPX3\8MP\ADPT\BRS\LW
9	3800521	2	FTG\AIR\1\2COMPX1\2MP\ADPT\BRS\LW
10	3800523	2	FTG\AIR\1\2COMPX1\2MP\90
11	3800554	2	FTG\AIR\1\2COMPX3\8MP\90
12	3800617	2	FTG\3\4MPX1\2FP\BRS\BUSH
13	3800776	2	FTG\AIR\1\2COMPX3\8MP\45D
14	3800777	1	FTG\AIR\1\2COMPX1\2COMPX3\8MP\BRNCH\TEE\BRS\LW
15	3800781	1	FTG\AIR\3\4F PX3\4FPX3\4MP\B RANCH TEE
16	3800785	24	FTG\AIR\3\8COMPRUBX3\8MP\ADPT\LW
17	3800786	2	FTG\BRS\3\8MPX3\8FPX3\8FP
18	AIR-1-4012-ABS-AUSTRALIA	1	GLAD HAND TO EMERGENCY VALVE
19	AIR-2-4012-ABS-COMMON	1	SERVICE
20	AIR-3-4012-ABS-COMMON_	1	SERVICE
21	AIR-5-4012-ABS-COMMON	1	TANK TO TANK
22	AIR-6-4012-ABS-AUSTRALIA	1	EMERGENCY VALVE TO TANK
23	AIR-7-4012-ABS-AUSTRALIA	1	TANK TO TANK
24	AIR-8-4012-ABS-COMMON	1	TANK TO SERVICE RELAY VALVE
25	AIR-9-4012-ABS-COMMON	1	TANK TO SERVICE RELAY VALVE
26	AIR-11-4012-AUSTRALIA	1	VALVE TO LEFT FRONT EMERGENCY CHAMBER
27	AIR-12-4012-AUSTRALIA	1	VALVE TO LEFT MIDDLE EMERGENCY CHAMBER
28	AIR-13-4012-AUSTRALIA	1	VALVE TO LEFT REAR EMERGENCY CHAMBER
29	AIR-14-4012-AUSTRALIA	1	VALVE TO RIGHT FRONT EMERGENCY CHAMBER
30	AIR-15-4012-AUSTRALIA	1	VALVE TO RIGHT MIDDLE EMERGENCY CHAMBER
31	AIR-16-4012-AUSTRALIA	1	VALVE TO RIGHT REAR EMERGENCY CHAMBER
32	AIR-21-4012-ABS-COMMON	1	VALVE TO LEFT FRONT SERVICE CHAMBER
33	AIR-22-4012-ABS-COMMON	1	VALVE TO RIGHT FRONT SERVICE CHAMBER
34	AIR-23-4012-ABS-COMMON	1	VALVE TO LEFT MIDDLE SERVICE CHAMBER
35	AIR-24-4012-ABS-COMMON_	1	VALVE TO RIGHT MIDDLE SERVICE CHAMBER
36	AIR-25-4012-ABS-COMMON	1	VALVE TO LEFT REAR SERVICE CHAMBER
37	AIR-26-4012-ABS-COMMON	1	VALVE TO RIGHT REAR SERVICE CHAMBER
38	SR38	1	SPRINGBRAKE VALVE

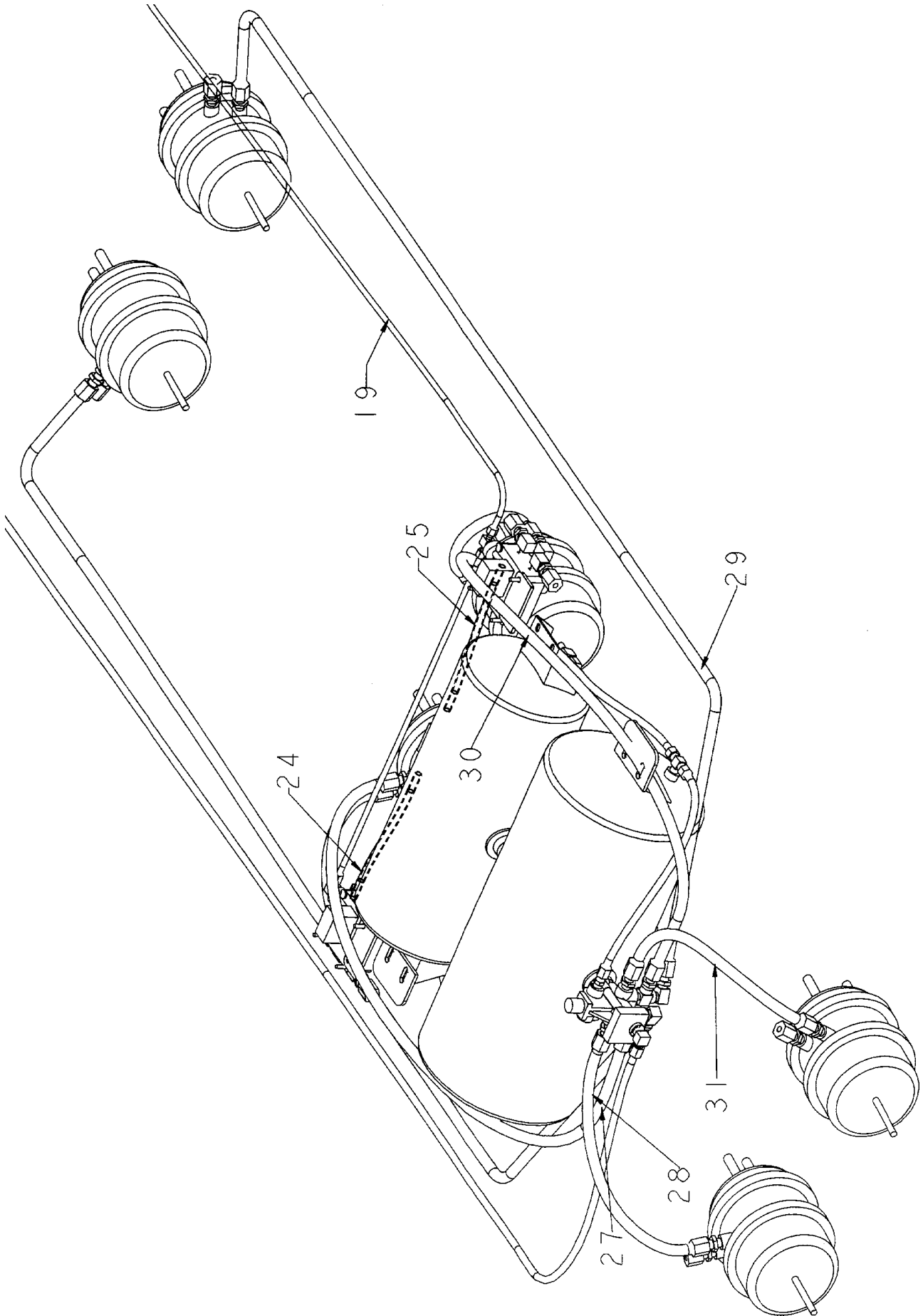
AUSTRALIAN AIR BRAKES



AUSTRALIAN AIR BRAKES

ITEM	PART	QTY.	PART DESCRIPTION
1	4012_BRAKES - ABS – AUSTRALIA_	1	BRAKES\4012\ABS\AUSTRALIA
2	2500632	6	30\30\AIRCHMBR\BRK\KIT\4012
3	2500939	2	VALVE\ABS\RV040
4	3800176	8	FTG\AIR\3\8MPX3\8FP\90D\ST;EL\BRASS
5	3800190	1	FTG\AIR\3\8COMPX3\8COMPX3\8MP\BR;TEE
6	3800194	1	FTG\AIR\3\8COMPX3\8MP\90
7	3800326	7	FTG\3\8MP\PLUG\ALN
8	3800520	1	FTG\AIR\1\2COMPX3\8MP\ADPT\BRS\LW
9	3800521	2	FTG\AIR\1\2COMPX1\2MP\ADPT\BRS\LW
10	3800523	2	FTG\AIR\1\2COMPX1\2MP\90
11	3800554	2	FTG\AIR\1\2COMPX3\8MP\90
12	3800617	2	FTG\3\4MPX1\2FP\BRS\BUSH
13	3800776	2	FTG\AIR\1\2COMPX3\8MP\45D
14	3800777	1	FTG\AIR\1\2COMPX1\2COMPX3\8MP\BRNCH\TEE\BRS\LW
15	3800781	1	FTG\AIR\3\4F PX3\4FPX3\4MP\B RANCH TEE
16	3800785	24	FTG\AIR\3\8COMPRUBX3\8MP\ADPT\LW
17	3800786	2	FTG\BRS\3\8MPX3\8FPX3\8FP
18	AIR-1-4012-ABS-AUSTRALIA	1	GLAD HAND TO EMERGENCY VALVE
19	AIR-2-4012-ABS-COMMON	1	SERVICE
20	AIR-3-4012-ABS-COMMON_	1	SERVICE
21	AIR-5-4012-ABS-COMMON	1	TANK TO TANK
22	AIR-6-4012-ABS-AUSTRALIA	1	EMERGENCY VALVE TO TANK
23	AIR-7-4012-ABS-AUSTRALIA	1	TANK TO TANK
24	AIR-8-4012-ABS-COMMON	1	TANK TO SERVICE RELAY VALVE
25	AIR-9-4012-ABS-COMMON	1	TANK TO SERVICE RELAY VALVE
26	AIR-11-4012-AUSTRALIA	1	VALVE TO LEFT FRONT EMERGENCY CHAMBER
27	AIR-12-4012-AUSTRALIA	1	VALVE TO LEFT MIDDLE EMERGENCY CHAMBER
28	AIR-13-4012-AUSTRALIA	1	VALVE TO LEFT REAR EMERGENCY CHAMBER
29	AIR-14-4012-AUSTRALIA	1	VALVE TO RIGHT FRONT EMERGENCY CHAMBER
30	AIR-15-4012-AUSTRALIA	1	VALVE TO RIGHT MIDDLE EMERGENCY CHAMBER
31	AIR-16-4012-AUSTRALIA	1	VALVE TO RIGHT REAR EMERGENCY CHAMBER
32	AIR-21-4012-ABS-COMMON	1	VALVE TO LEFT FRONT SERVICE CHAMBER
33	AIR-22-4012-ABS-COMMON	1	VALVE TO RIGHT FRONT SERVICE CHAMBER
34	AIR-23-4012-ABS-COMMON	1	VALVE TO LEFT MIDDLE SERVICE CHAMBER
35	AIR-24-4012-ABS-COMMON_	1	VALVE TO RIGHT MIDDLE SERVICE CHAMBER
36	AIR-25-4012-ABS-COMMON	1	VALVE TO LEFT REAR SERVICE CHAMBER
37	AIR-26-4012-ABS-COMMON	1	VALVE TO RIGHT REAR SERVICE CHAMBER
38	SR38	1	SPRINGBRAKE VALVE

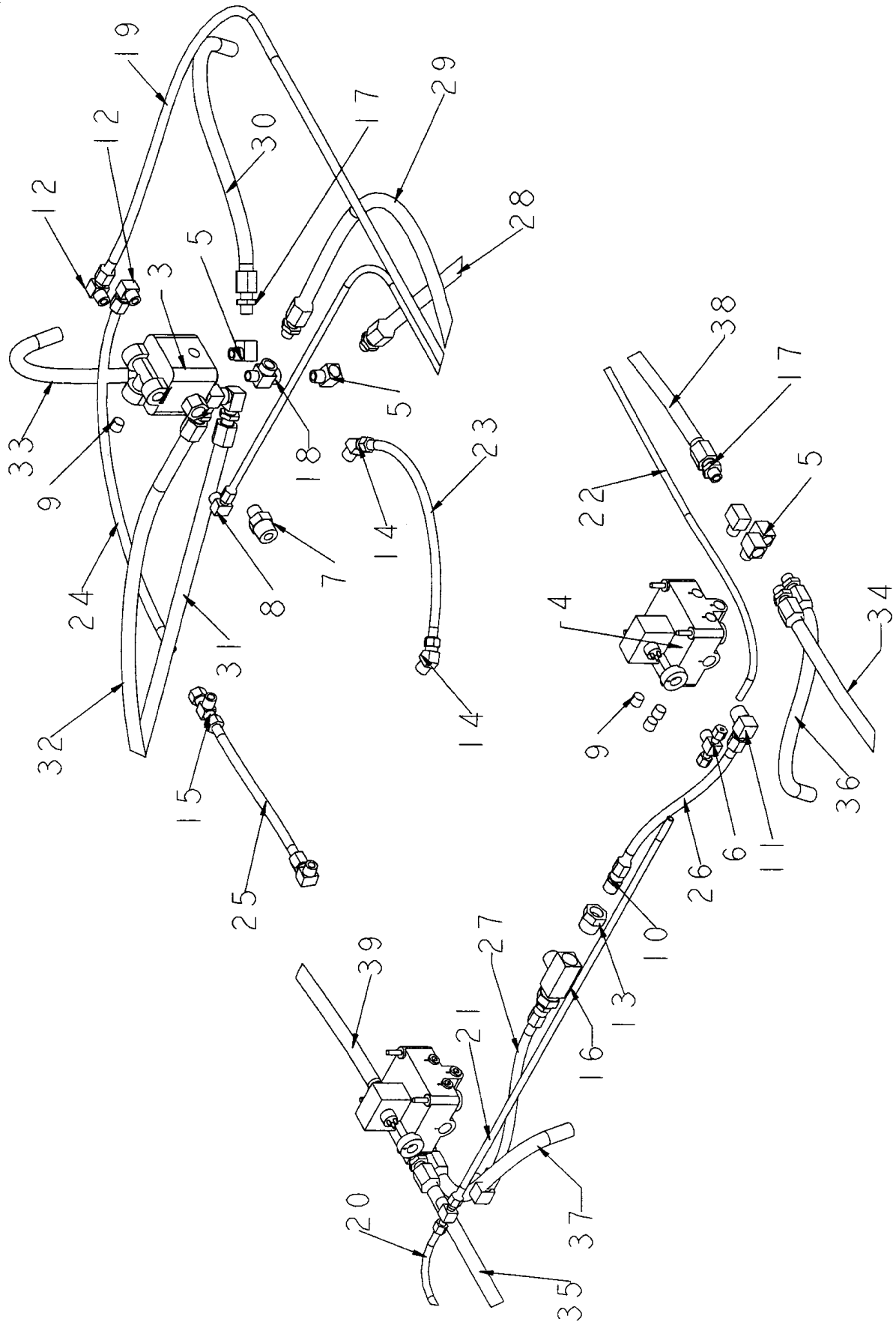
AUSTRALIAN AIR BRAKES



AUSTRALIAN AIR BRAKES

ITEM	PART	QTY.	PART DESCRIPTION
1	4012_BRAKES - ABS - AUSTRALIA_	1	BRAKES\4012\ABS\AUSTRALIA
2	2500632	6	30\30\AIRCHMBR\BRK\KIT\4012
3	2500939	2	VALVE\ABS\RV040
4	3800176	8	FTG\AIR\3\8MPX3\8FP\90D\ST;EL\BRASS
5	3800190	1	FTG\AIR\3\8COMPX3\8COMPX3\8MP\BR;TEE
6	3800194	1	FTG\AIR\3\8COMPX3\8MP\90
7	3800326	7	FTG\3\8MP\PLUG\ALN
8	3800520	1	FTG\AIR\1\2COMPX3\8MP\ADPT\BRS\LW
9	3800521	2	FTG\AIR\1\2COMPX1\2MP\ADPT\BRS\LW
10	3800523	2	FTG\AIR\1\2COMPX1\2MP\90
11	3800554	2	FTG\AIR\1\2COMPX3\8MP\90
12	3800617	2	FTG\3\4MPX1\2FP\BRS\BUSH
13	3800776	2	FTG\AIR\1\2COMPX3\8MP\45D
14	3800777	1	FTG\AIR\1\2COMPX1\2COMPX3\8MP\BRNCH\TEE\BRS\LW
15	3800781	1	FTG\AIR\3\4F PX3\4FPX3\4MP\B RANCH TEE
16	3800785	24	FTG\AIR\3\8COMPRUBX3\8MP\ADPT\LW
17	3800786	2	FTG\BRS\3\8MPX3\8FPX3\8FP
18	AIR-1-4012-ABS-AUSTRALIA	1	GLAD HAND TO EMERGENCY VALVE
19	AIR-2-4012-ABS-COMMON	1	SERVICE
20	AIR-3-4012-ABS-COMMON_	1	SERVICE
21	AIR-5-4012-ABS-COMMON	1	TANK TO TANK
22	AIR-6-4012-ABS-AUSTRALIA	1	EMERGENCY VALVE TO TANK
23	AIR-7-4012-ABS-AUSTRALIA	1	TANK TO TANK
24	AIR-8-4012-ABS-COMMON	1	TANK TO SERVICE RELAY VALVE
25	AIR-9-4012-ABS-COMMON	1	TANK TO SERVICE RELAY VALVE
26	AIR-11-4012-AUSTRALIA	1	VALVE TO LEFT FRONT EMERGENCY CHAMBER
27	AIR-12-4012-AUSTRALIA	1	VALVE TO LEFT MIDDLE EMERGENCY CHAMBER
28	AIR-13-4012-AUSTRALIA	1	VALVE TO LEFT REAR EMERGENCY CHAMBER
29	AIR-14-4012-AUSTRALIA	1	VALVE TO RIGHT FRONT EMERGENCY CHAMBER
30	AIR-15-4012-AUSTRALIA	1	VALVE TO RIGHT MIDDLE EMERGENCY CHAMBER
31	AIR-16-4012-AUSTRALIA	1	VALVE TO RIGHT REAR EMERGENCY CHAMBER
32	AIR-21-4012-ABS-COMMON	1	VALVE TO LEFT FRONT SERVICE CHAMBER
33	AIR-22-4012-ABS-COMMON	1	VALVE TO RIGHT FRONT SERVICE CHAMBER
34	AIR-23-4012-ABS-COMMON	1	VALVE TO LEFT MIDDLE SERVICE CHAMBER
35	AIR-24-4012-ABS-COMMON_	1	VALVE TO RIGHT MIDDLE SERVICE CHAMBER
36	AIR-25-4012-ABS-COMMON	1	VALVE TO LEFT REAR SERVICE CHAMBER
37	AIR-26-4012-ABS-COMMON	1	VALVE TO RIGHT REAR SERVICE CHAMBER
38	SR38	1	SPRINGBRAKE VALVE

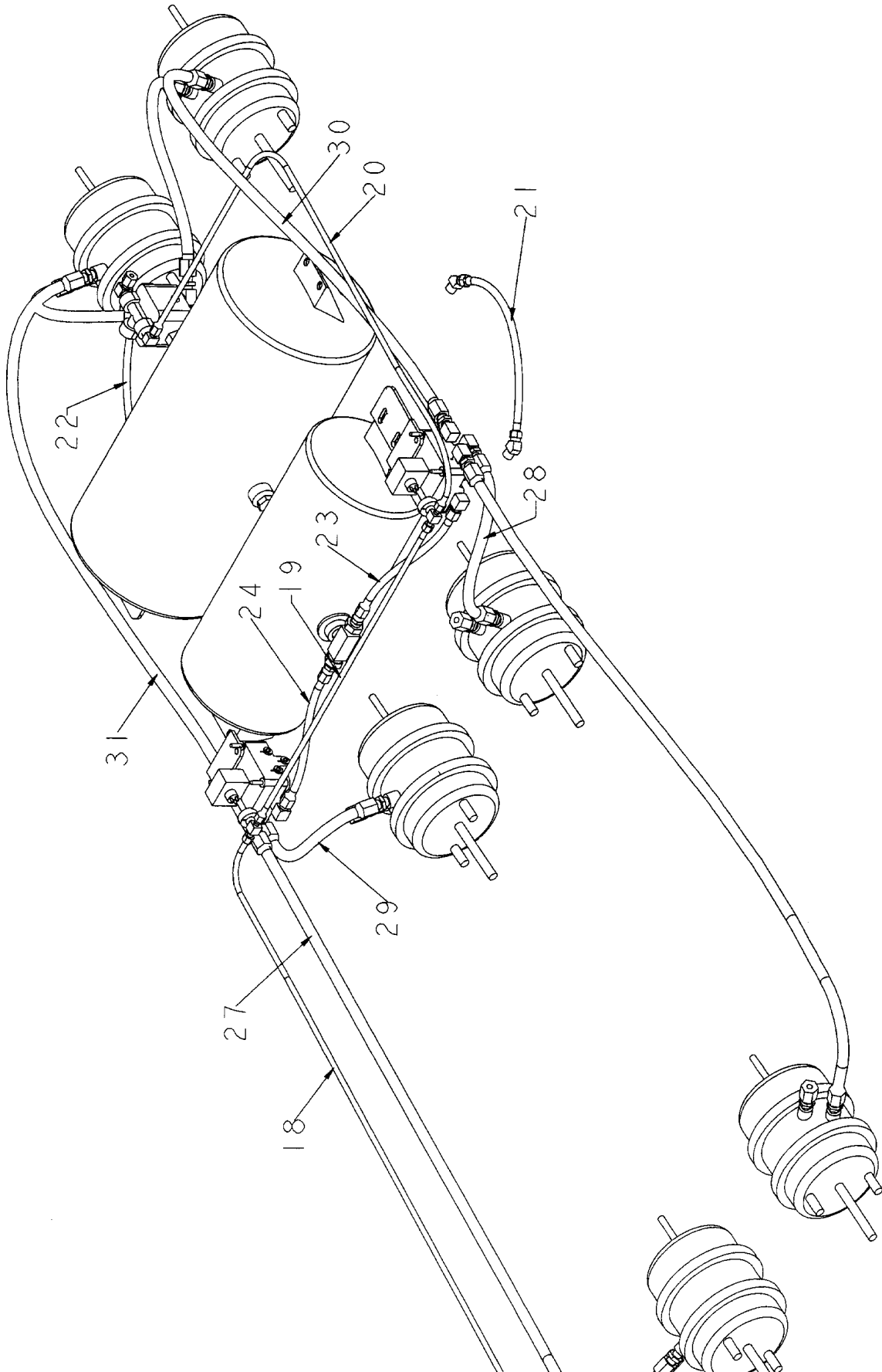
ABS AIRBRAKES



ABS AIRBRAKES

ITEM	PART	QTY.	PART DESCRIPTION
1	12-BRAKES-ABS-JAPAN-EUROP	1	BRAKES\4012\ABS\JAPAN&EUROPE
2	2500632	6	30\30\AIRCHMBR\BRK\KIT\4012
3	2500932	1	VALVE\AIR\SPRING\RT4
4	2500939	2	VALVE\ABS\RV040
5	3800176	10	FTG\AIR\3\8MPX3\8FP\90D\ST;EL\BRASS
6	3800190	2	FTG\AIR\3\8COMPX3\8COMPX3\8MP\BR;TEE
7	3800193	1	FTG\3\4MPX1\2MP\NPL
8	3800194	1	FTG\AIR\3\8COMPX3\8MP\90
9	3800326	7	FTG\3\8MP\PLUG\ALN
10	3800521	2	FTG\AIR\1\2COMPX1\2MP\ADPT\BRS\LW
11	3800523	2	FTG\AIR\1\2COMPX1\2MP\90
12	3800554	3	FTG\AIR\1\2COMPX3\8MP\90
13	3800617	2	FTG\3\4MPX1\2FP\BRS\BUSH
14	3800776	2	FTG\AIR\1\2COMPX3\8MP\45D
15	3800777	1	FTG\AIR\1\2COMPX1\2COMPX3\8MP\BRNCH\TEE\BRS\LW
16	3800781	1	FTG\AIR\3\4FPX3\4FPX3\4MP\BRANCH TEE
17	3800785	24	FTG\AIR\3\8COMPRUBX3\8MP\ADPT\LW
18	3800786	2	FTG\BRS\3\8MPX3\8FPX3\8FP
19	AIR-1-4012-ABS-EU-JAPAN	1	EMERGENCY - SUPPLY
20	AIR-2-4012-ABS-EU-JAPAN	1	SERVICE
21	AIR-3-4012-ABS-EU-JAPAN	1	SERVICE
22	AIR-4-4012-ABS-EU-JAPAN	1	SERVICE
23	AIR-5-4012-ABS-EU-JAPAN	1	TANK SUPPLY
24	AIR-6-4012-ABS-EU-JAPAN	1	TANK SUPPLY
25	AIR-7-4012-ABS-EU-JAPAN	1	TANK SUPPLY
26	AIR-8-4012-COMMON	1	TANK TO SERVICE RELAY VALVE
27	AIR-9-4012-COMMON	1	TANK TO SERVICE RELAY VALVE
28	AI R-11-4012-E UJAPAN	1	VALVE TO LEFT FRONT EMERGENCY CHAMBER
29	AIR-12-4012-EU-JAPAN	1	VALVE TO LEFT MIDDLE EMERGENCY CHAMBER
30	AIR-13-4012-EU-JAPAN	1	VALVE TO LEFT REAR EMERGENCY CHAMBER
31	AIR-14-4012-EU-JAPAN	1	VALVE TO RIGHT FRONT EMERGENCY CHAMBER
32	AIR-15-4012-EU-JAPAN	1	VALVE TO RIGHT MIDDLE EMERGENCY CHAMBER
33	AIR-16-4012-EU-JAPAN	1	VALVE TO RIGHT REAR EMERGENCY CHAMBER
34	AIR-21-4012-EU-JAPAN	1	VALVE TO LEFT FRONT SERVICE CHAMBER
35	AIR-22-4012-EU-JAPAN	1	VALVE TO RIGHT FRONT SERVICE CHAMBER
36	AIR-23-4012-EU-JAPAN	1	VALVE TO LEFT MIDDLE SERVICE CHAMBER
37	AIR-24-4012-EU-JAPAN	1	VALVE TO RIGHT MIDDLE SERVICE CHAMBER
38	AIR-25-4012-EU-JAPAN	1	VALVE TO LEFT REAR SERVICE CHAMBER
39	AIR-26-4012-EU-JAPAN	1	VALVE TO RIGHT REAR SERVICE CHAMBER

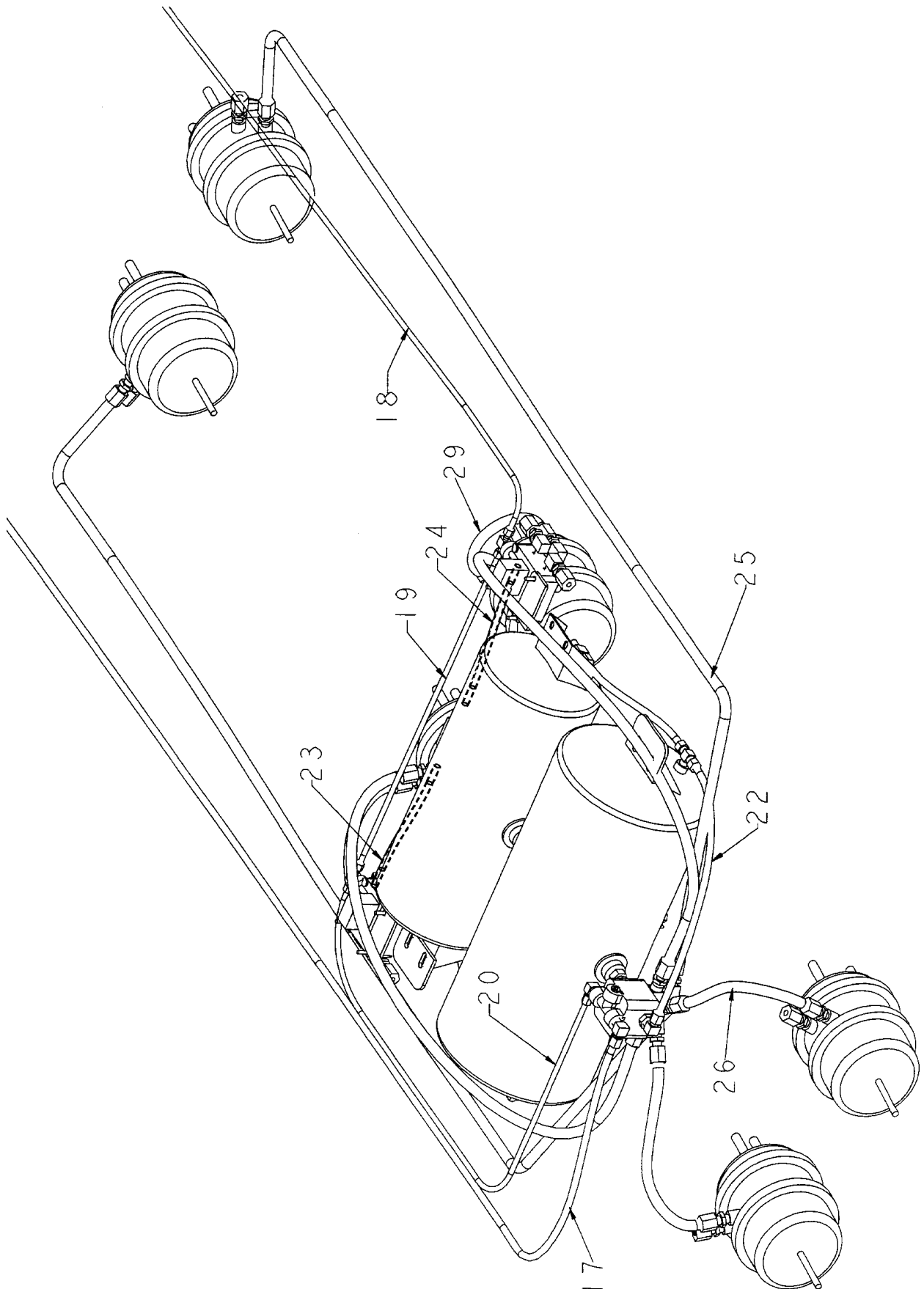
ABS AIRBRAKES



ABS AIRBRAKES

ITEM	PART	QTY.	PART DESCRIPTION
1	12-BRAKES-ABS-JAPAN-EUROP	1	BRAKES\4012\ABS\JAPAN&EUROPE
2	2500632	6	30\30\AIRCHMBR\BRK\KIT\4012
3	2500932	1	VALVE\AIR\SPRING\RT4
4	2500939	2	VALVE\ABS\RV040
5	3800176	10	FTG\AIR\3\8MPX3\8FP\90D\ST;EL\BRASS
6	3800190	2	FTG\AIR\3\8COMPX3\8COMPX3\8MP\BR;TEE
7	3800193	1	FTG\3\4MPX1\2MP\NPL
8	3800194	1	FTG\AIR\3\8COMPX3\8MP\90
9	3800326	7	FTG\3\8MP\PLUG\ALN
10	3800521	2	FTG\AIR\1\2COMPX1\2MP\ADPT\BRS\LW
11	3800523	2	FTG\AIR\1\2COMPX1\2MP\90
12	3800554	3	FTG\AIR\1\2COMPX3\8MP\90
13	3800617	2	FTG\3\4MPX1\2FP\BRS\BUSH
14	3800776	2	FTG\AIR\1\2COMPX3\8MP\45D
15	3800777	1	FTG\AIR\1\2COMPX1\2COMPX3\8MP\BRNCH\TEE\BRS\LW
16	3800781	1	FTG\AIR\3\4FPX3\4FPX3\4MP\BRANCH TEE
17	3800785	24	FTG\AIR\3\8COMPRUBX3\8MP\ADPT\LW
18	3800786	2	FTG\BRS\3\8MPX3\8FPX3\8FP
19	AIR-1-4012-ABS-EU-JAPAN	1	EMERGENCY - SUPPLY
20	AIR-2-4012-ABS-EU-JAPAN	1	SERVICE
21	AIR-3-4012-ABS-EU-JAPAN	1	SERVICE
22	AIR-4-4012-ABS-EU-JAPAN	1	SERVICE
23	AIR-5-4012-ABS-EU-JAPAN	1	TANK SUPPLY
24	AIR-6-4012-ABS-EU-JAPAN	1	TANK SUPPLY
25	AIR-7-4012-ABS-EU-JAPAN	1	TANK SUPPLY
26	AIR-8-4012-COMMON	1	TANK TO SERVICE RELAY VALVE
27	AIR-9-4012-COMMON	1	TANK TO SERVICE RELAY VALVE
28	AI R-11-4012-E UJAPAN	1	VALVE TO LEFT FRONT EMERGENCY CHAMBER
29	AIR-12-4012-EU-JAPAN	1	VALVE TO LEFT MIDDLE EMERGENCY CHAMBER
30	AIR-13-4012-EU-JAPAN	1	VALVE TO LEFT REAR EMERGENCY CHAMBER
31	AIR-14-4012-EU-JAPAN	1	VALVE TO RIGHT FRONT EMERGENCY CHAMBER
32	AIR-15-4012-EU-JAPAN	1	VALVE TO RIGHT MIDDLE EMERGENCY CHAMBER
33	AIR-16-4012-EU-JAPAN	1	VALVE TO RIGHT REAR EMERGENCY CHAMBER
34	AIR-21-4012-EU-JAPAN	1	VALVE TO LEFT FRONT SERVICE CHAMBER
35	AIR-22-4012-EU-JAPAN	1	VALVE TO RIGHT FRONT SERVICE CHAMBER
36	AIR-23-4012-EU-JAPAN	1	VALVE TO LEFT MIDDLE SERVICE CHAMBER
37	AIR-24-4012-EU-JAPAN	1	VALVE TO RIGHT MIDDLE SERVICE CHAMBER
38	AIR-25-4012-EU-JAPAN	1	VALVE TO LEFT REAR SERVICE CHAMBER
39	AIR-26-4012-EU-JAPAN	1	VALVE TO RIGHT REAR SERVICE CHAMBER

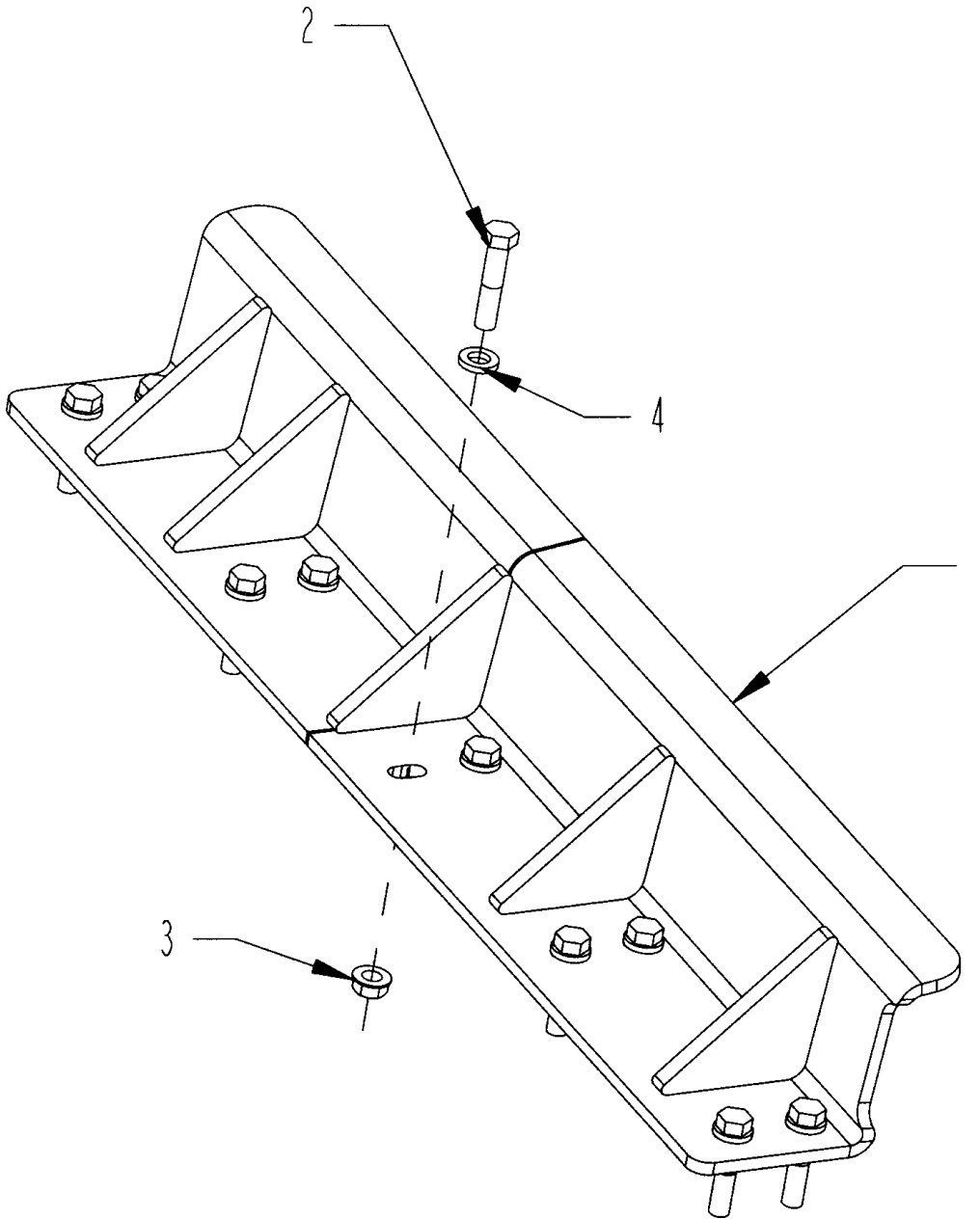
ABS AIRBRAKES



ABS AIRBRAKES

ITEM	PART	QTY.	PART DESCRIPTION
1	12-BRAKES-ABS-JAPAN-EUROP	1	BRAKES\4012\ABS\JAPAN&EUROPE
2	2500632	6	30\30\AIRCHMBR\BRK\KIT\4012
3	2500932	1	VALVE\AIR\SPRING\RT4
4	2500939	2	VALVE\ABS\RV040
5	3800176	10	FTG\AIR\3\8MPX3\8FP\90D\ST;EL\BRASS
6	3800190	2	FTG\AIR\3\8COMPX3\8COMPX3\8MP\BR;TEE
7	3800193	1	FTG\3\4MPX1\2MP\NPL
8	3800194	1	FTG\AIR\3\8COMPX3\8MP\90
9	3800326	7	FTG\3\8MP\PLUG\ALN
10	3800521	2	FTG\AIR\1\2COMPX1\2MP\ADPT\BRS\LW
11	3800523	2	FTG\AIR\1\2COMPX1\2MP\90
12	3800554	3	FTG\AIR\1\2COMPX3\8MP\90
13	3800617	2	FTG\3\4MPX1\2FP\BRS\BUSH
14	3800776	2	FTG\AIR\1\2COMPX3\8MP\45D
15	3800777	1	FTG\AIR\1\2COMPX1\2COMPX3\8MP\BRNCH\TEE\BRS\LW
16	3800781	1	FTG\AIR\3\4FPX3\4FPX3\4MP\BRANCH TEE
17	3800785	24	FTG\AIR\3\8COMPRUBX3\8MP\ADPT\LW
18	3800786	2	FTG\BRS\3\8MPX3\8FPX3\8FP
19	AIR-1-4012-ABS-EU-JAPAN	1	EMERGENCY - SUPPLY
20	AIR-2-4012-ABS-EU-JAPAN	1	SERVICE
21	AIR-3-4012-ABS-EU-JAPAN	1	SERVICE
22	AIR-4-4012-ABS-EU-JAPAN	1	SERVICE
23	AIR-5-4012-ABS-EU-JAPAN	1	TANK SUPPLY
24	AIR-6-4012-ABS-EU-JAPAN	1	TANK SUPPLY
25	AIR-7-4012-ABS-EU-JAPAN	1	TANK SUPPLY
26	AIR-8-4012-COMMON	1	TANK TO SERVICE RELAY VALVE
27	AIR-9-4012-COMMON	1	TANK TO SERVICE RELAY VALVE
28	AIR-11-4012-EU-JAPAN	1	VALVE TO LEFT FRONT EMERGENCY CHAMBER
29	AIR-12-4012-EU-JAPAN	1	VALVE TO LEFT MIDDLE EMERGENCY CHAMBER
30	AIR-13-4012-EU-JAPAN	1	VALVE TO LEFT REAR EMERGENCY CHAMBER
31	AIR-14-4012-EU-JAPAN	1	VALVE TO RIGHT FRONT EMERGENCY CHAMBER
32	AIR-15-4012-EU-JAPAN	1	VALVE TO RIGHT MIDDLE EMERGENCY CHAMBER
33	AIR-16-4012-EU-JAPAN	1	VALVE TO RIGHT REAR EMERGENCY CHAMBER
34	AIR-21-4012-EU-JAPAN	1	VALVE TO LEFT FRONT SERVICE CHAMBER
35	AIR-22-4012-EU-JAPAN	1	VALVE TO RIGHT FRONT SERVICE CHAMBER
36	AIR-23-4012-EU-JAPAN	1	VALVE TO LEFT MIDDLE SERVICE CHAMBER
37	AIR-24-4012-EU-JAPAN	1	VALVE TO RIGHT MIDDLE SERVICE CHAMBER
38	AIR-25-4012-EU-JAPAN	1	VALVE TO LEFT REAR SERVICE CHAMBER
39	AIR-26-4012-EU-JAPAN	1	VALVE TO RIGHT REAR SERVICE CHAMBER

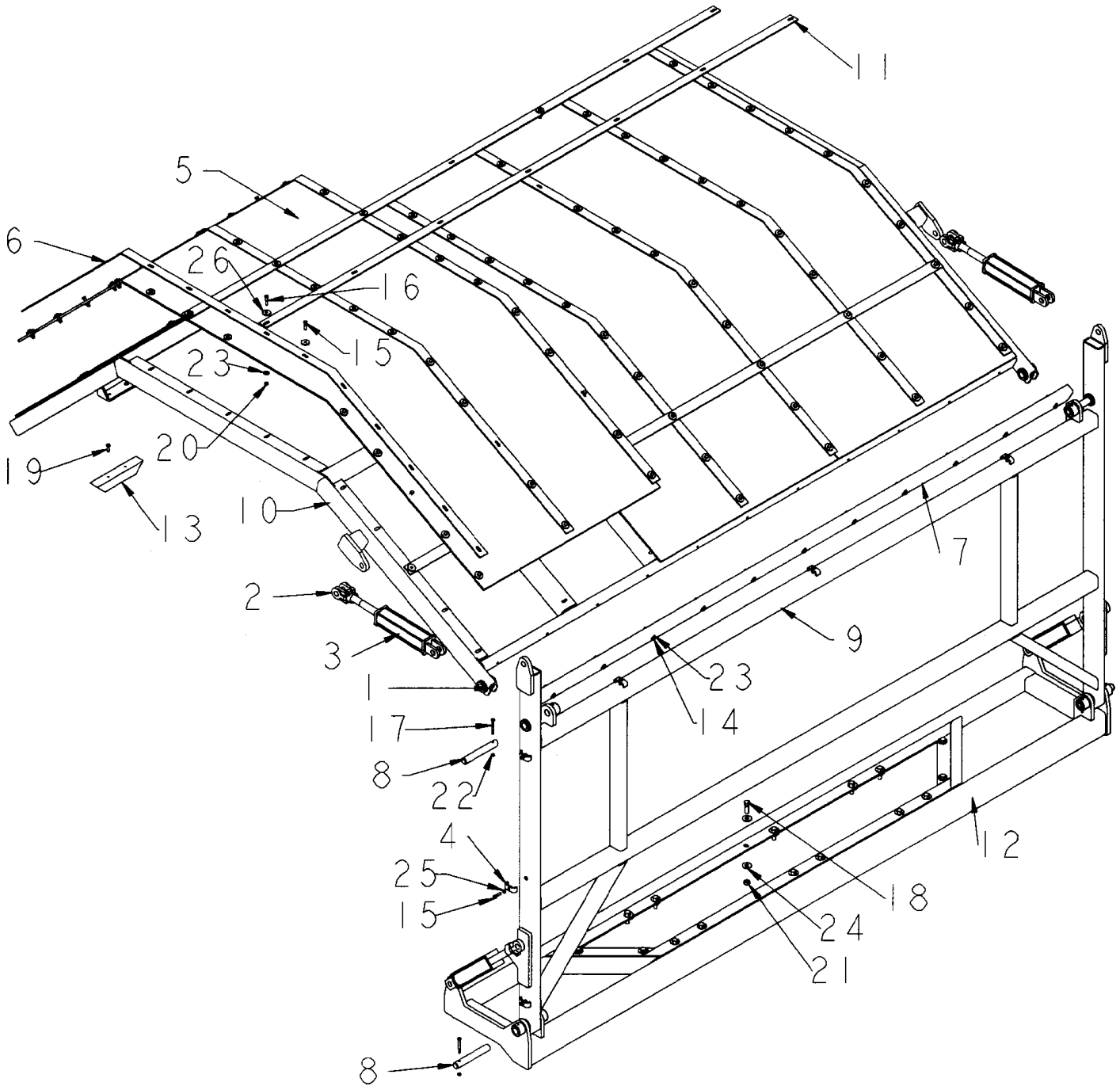
MILL COVER ASSEMBLY (OPTION)



MILL COVER ASSEMBLY (OPTION)

ITEM	PART	QTY.	PART DESCRIPTION
1	4703835	1	CVR\MILL\4012
2	4800490	10	BOLT\HEX\3/4X3-1/2\GR8\NC
3	4900160	10	NUT\FLG\TPLOCK\3/4\GR8\NC
4	5000115	10	WASH\FLAT\3/4\EXTRTHK\GR8

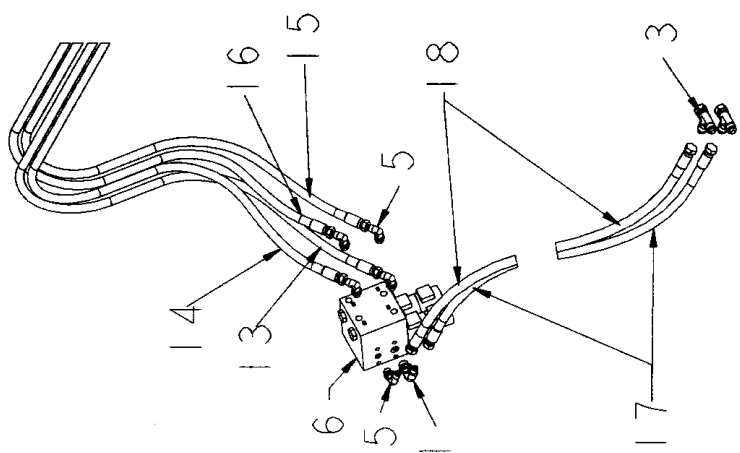
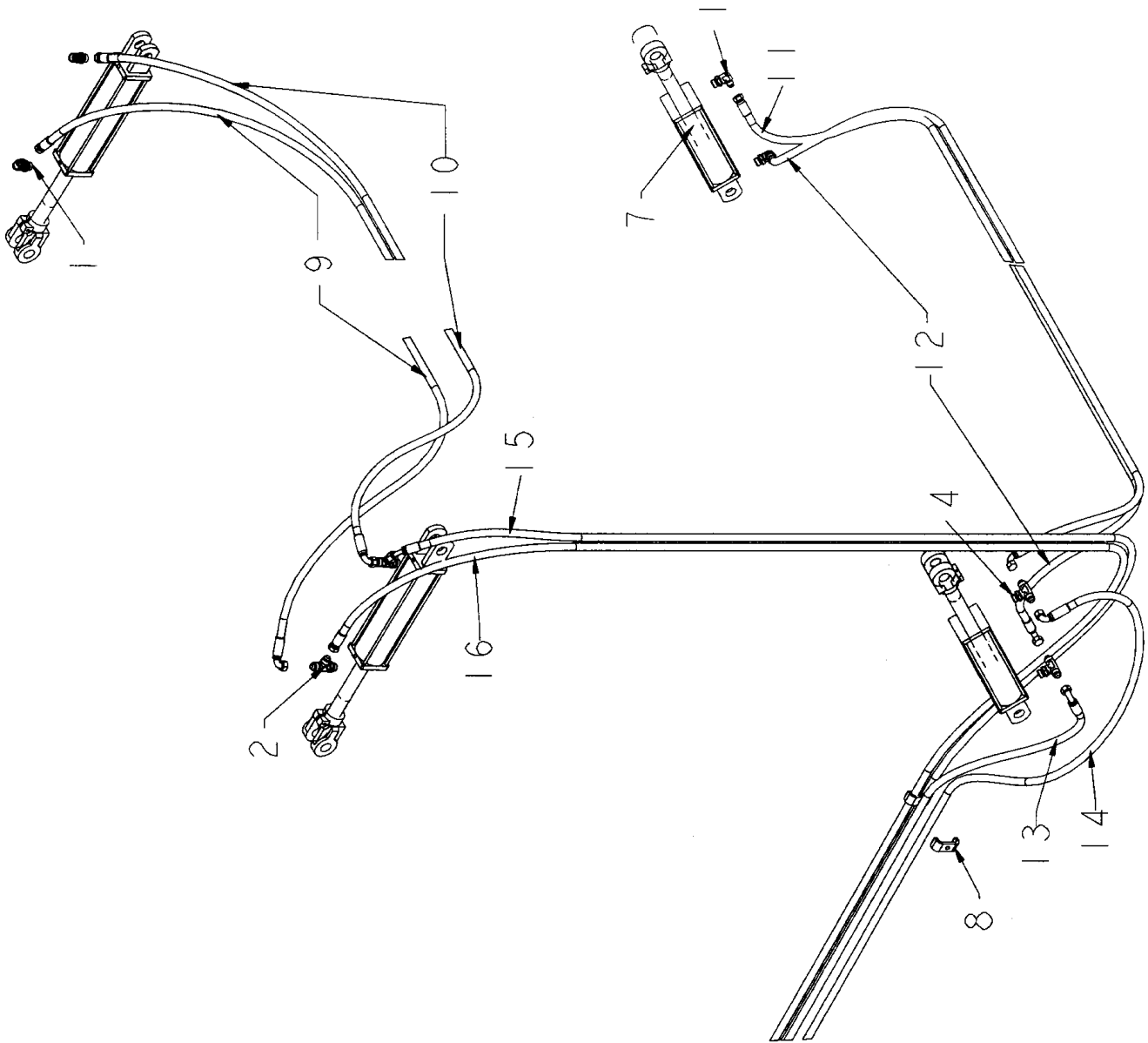
TUB COVER ASSEMBLY (OPTION)



TUB COVER ASSEMBLY (OPTION)

ITEM	PART	QTY.	PART DESCRIPTION
1	3800082	4	FTG\LUB\1/4NFXZERK\ADAPT
2	4100132	4	YOKE
3	4100185	4	CYL\HYD\3-1/2X8\TIE\3/4;O-RING\PERP
4	4700776	19	CLMP\HOSE\3/8
5	4702855	3	SCRN\WIRE\FRM\OBJ\THROWN\HD12
6	4702856	7	FLAT\CLMP\SCRN\FRM\OBJ\THROWN
7	4702857	2	ANGLE\SCRN\OBJ\THROWN
8	4702858	4	PIN\1-1/4X8-1/2
9	4702863	1	TUBE\FRM\BRRIR\OBJ\THROWN
10	4702864	1	FRM\OBJ\THROWN\TOP
11	4703030	4	FLAT\CLMP\SCRN\TC\HD12
12	4703624	1	FRM\LWR\OBJ\THROWN
13	4704099	2	BMPR\CNVYR\DISCH
14	4800029	22	BOLT\HEX\3/8X2-1/2
15	4800034	81	BOLT\HEX\3/8X1-1/2
16	4800142	28	BOLT\HEX\3/8X1-3/4
17	4800182	4	BOLT\HEX\5/16X3
18	4800597	16	BOLT\HEX\5/8X2NC\GR8
19	4801198	4	SCR\LAG\3/8X1-1/2
20	4900023	120	NUT\TPLCK\3/8\NC
21	4900141	16	NUT\TPLCK\5/8\GR8\NC
22	4900142	4	NUT\TPLCK\5/16\NC
23	5000001	142	WASH\FLAT\3/8
24	5000002	32	WASH\FLAT\5/8
25	5000019	11	WASH\LOCK\3/8
26	5000096	98	WASH\FLAT\SPCL\13/32X7GAX1-1/2OD

TUB COVER ASSEMBLY (OPTION) - HYDRAULICS

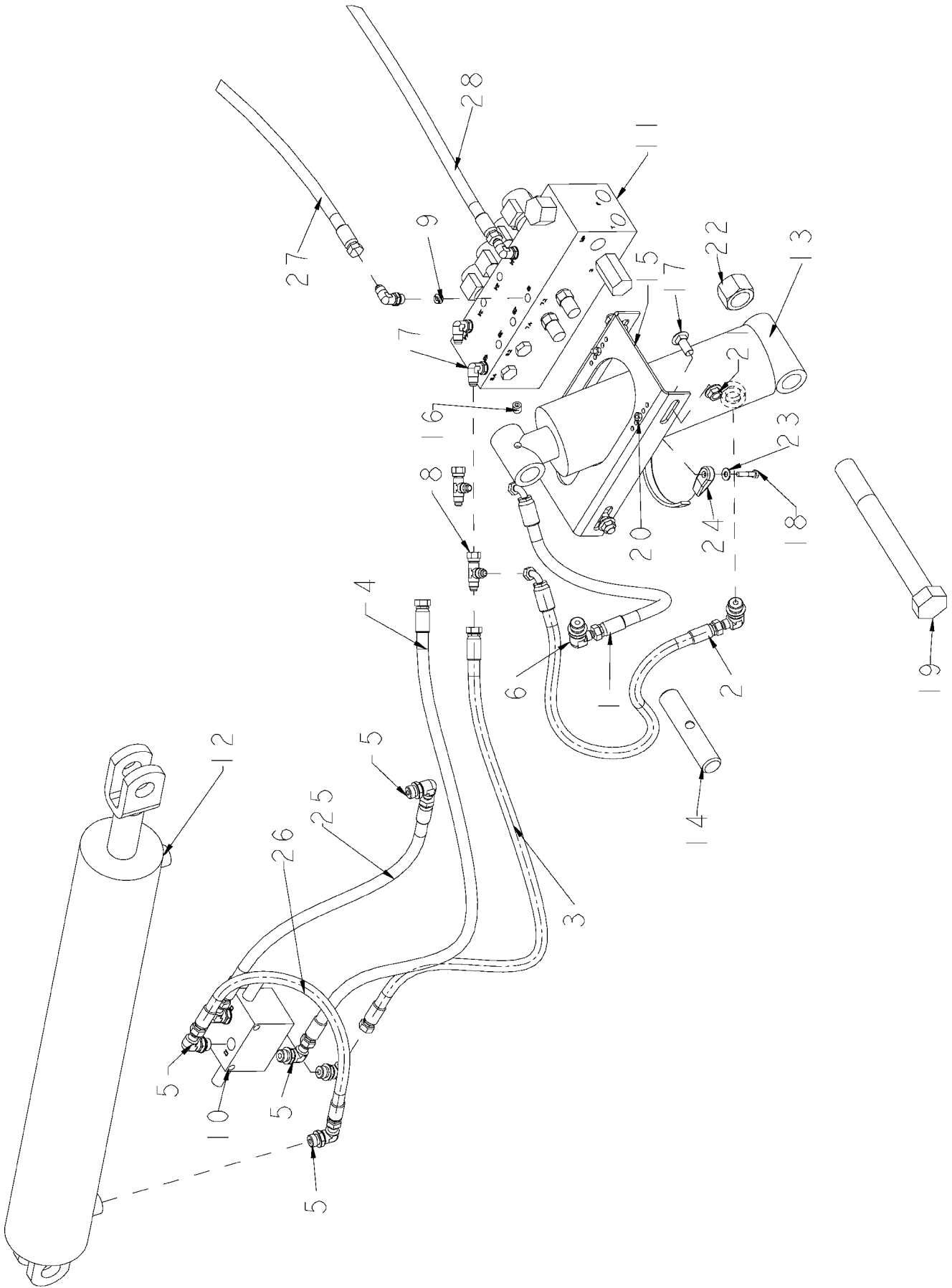


TUB COVER ASSEMBLY (OPTION) - HYDRAULICS

ITEM	PART	QTY.	PART DESCRIPTION
1	3800453	13	FTG\3/4MORX9/16MJIC\90
2	3800483	2	FTG\3/4MORX3/4MJICX3/4MJIC\RUN;TEE
3	3800484	2	FTG\3/4FJICSX3/4MJICX3/4MJIC\RUN;TEE
4	3800588	2	FTG\3/4MJICX3/4MJICX3/4MOR\TEE
5	3800757	9	FTG\9/16MORX9/16MJIC\90
6	4000211	1	VLV\HYDVAUX\BLK\MFLD\TOC
7	4100185	4	CYL\HYD\3-1/2X8\TIE\3/4;O-RING\PERP
8	4700776	19	CLMP\HOSE\3/8

ITEM	PART	QTY.	PART DESCRIPTION
9	HOSE_110_4012_TUB_COVER	1	ROD END TO ROD END TOP CYLINDERS
10	HOSE_111_4012_TUB_COVER	1	BUTT END TO BUTT END TOP CYLINDERS
11	HOSE_112_4012_TUB_COVER	1	ROD END TO ROD END BOTTOM CYLINDERS
12	HOSE_113_4012_TUB_COVER	1	BUTT END TO BUTT END BOTTOM CYLINDERS
13	HOSE_114_4012_TUB_COVER	1	BUTT END BOTTOM CYL TO 5A ON VALVE
14	HOSE_115_4012_TUB_COVER	1	ROD END BOTTOM CYL TO 5B ON VALVE
15	HOSE_116_4012_TUB_COVER	1	BUTT END TOP CYL TO 6A ON VALVE
16	HOSE_117_4012_TUB_COVER	1	ROD END TOP CYL TO 6B ON VALVE
17	HOSE_118_4012_TUB_COVER	1	PORT P ON VALVE TO LOWER TUBE
18	HOSE_119_4012_TUB_COVER	1	PORT T ON VALVE TO UPPER TUBE

TUB COVER ASSEMBLY (OPTION) - PLATFORM ASSIST CYLINDER



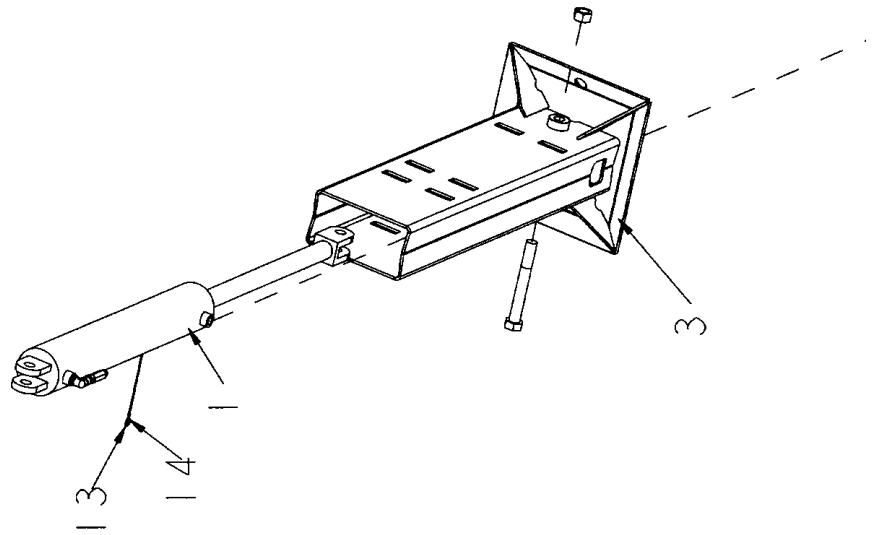
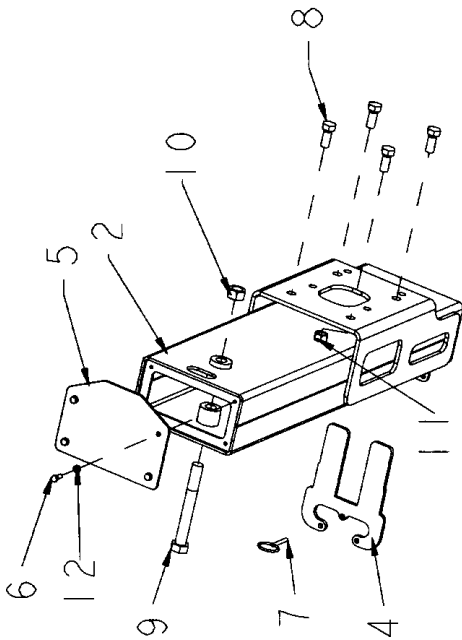
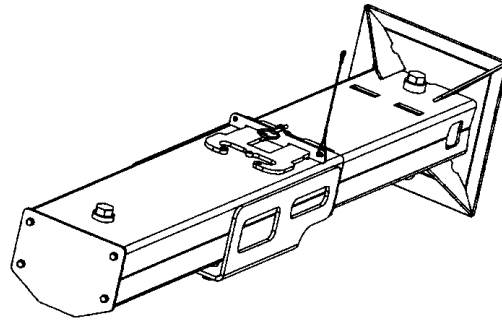
TUB COVER ASSEMBLY (OPTION) - PLATFORM ASSIST CYLINDER

ITEM	PART	QTY.	PART DESCRIPTION
1	3700653	1	HOSE\HYD\3\8X36\9\16FJICSX9\16FJICS-90
2	3700654	1	HOSE\HYD\3\8X40\9\16FJICSX9\16FJICS-90
3	3700695_1	1	HOSE\HYD\3\8X40\9\16FJICSX9\16FJICS
4	3700695_2	1	HOSE\HYD\3\8X40\9\16FJICSX9\16FJICS
5	3800453	13	FTG\3\4MORX9\16MJIC\90
6	3800538	2	FTG\7\8MORX9\16MJIC\90
7	3800757	9	FTG\9\16MORX9\16MJIC\90
8	3800759	2	FTG\9\16FJICSX9\16MJICX9\16MJIC\RUN;TEE
9	3800772	2	FTG\9\16MOR\ORFC\0320"
10	4000084	1	VALVE\HYD\30GPM\DBL\HOLD
11	4000210	1	VLV\HYD\AUX\BLK\MFLD
12	4100234	1	CYL\HYD\4-1\2X30\1-1\4PINS
13	4100249	1	CYL\HYD\4X8\WLDD\2ROD\WITH 4800326 SET SCREW
14	4704037	1	PIN\CYL\KICKER\1-1\4X6
15	4704039	1	GUIDE\CYL\KICKER
16	4800326	1	SCR\SET\AL1\2X1\2\NC
17	4800481	4	BOLT\CRG\1\2X1-1\4\NC
18	4800602	2	BOLT\HEX\1\4X1-1\4\NC
19	4800933	1	BOLT\HEX\1-1\4X11\GR5\NC
20	4900084	2	NUT\TPLCK\1\4\NC
21	4900100	4	NUT\FLG\TPLCK\1\2\NC
22	4900135	1	NUT\NYLCK\1-1\4\NC
23	5000035	2	WASH\FLAT\1\4
24	7500974	1	STRAP\TARP\9

ITEM	PART	QTY.	PART DESCRIPTION
25	HOSE_16_4012_TUB_KICKER	1	COUNTERBALANCE VALVE C1 TO ROD END TUB TILT CYL
26	HOSE_17_4012_TUB_KICKER	1	COUNTERBALANCE VALVE C2 TO BUTT END TUB TILT CYL
27	HOSE_20_4012_TUB_KICKER	1	AUX VALVE '1B' TO ROD END SWING CYL
28	HOSE_21_4012_TUB_KICKER	1	AUX VALVE '1A' TO BUTT END SWING CYL

Note - Hoses 16, 17, 20, 21 are not arranged same as standard package, they are on different spools on the auxilliary valve. - Orifices must be in line with hoses 20 and 21

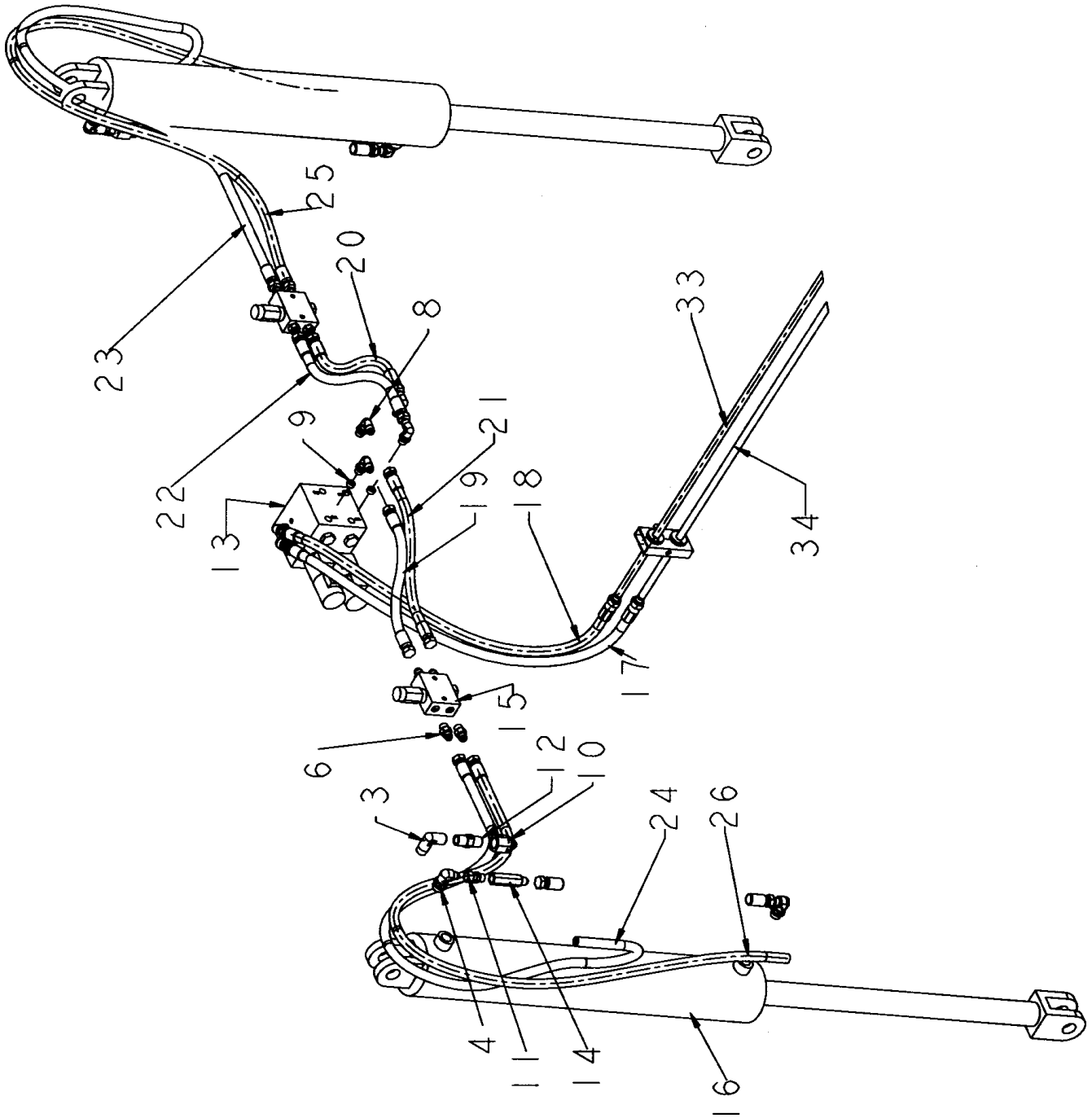
HYDRAULIC JACK PARTS



HYDRAULIC JACK PARTS

ITEM	PART	QTY.	PART DESCRIPTION
1	4100230	2	CYL\HYD\4X24\W\1-3/4ROD\
2	4703635	2	FRM\TUBE\UPPR\STND\JCK
3	4703636	2	FRM\TUBE\LWR\STND\JCK
4	4703637	2	BRKT\STOP\JCK\HYD
5	4703640	2	CAP\JCKSTND
6	4800003	8	BOLT\HEX\3/8X1
7	4800076	2	PIN\KLIK\5/16
8	4800469	8	BOLT\HEX\3/4X1-3/4
9	4800632	4	BOLT\HEX\1X8\NC\GR5\PLT
10	4900127	4	NUT\TPLCK\1\NC
11	4900139	8	NUT\TPLCK\3/4\GR8\NC
12	5000019	8	WASH\LOCK\3/8
13	5800327	2	CABLE\3/32\COATED\FT
14	5800328	4	CLAMP\CABLE\PIN

HYDRAULIC JACKS - CYLINDERS & VALVES

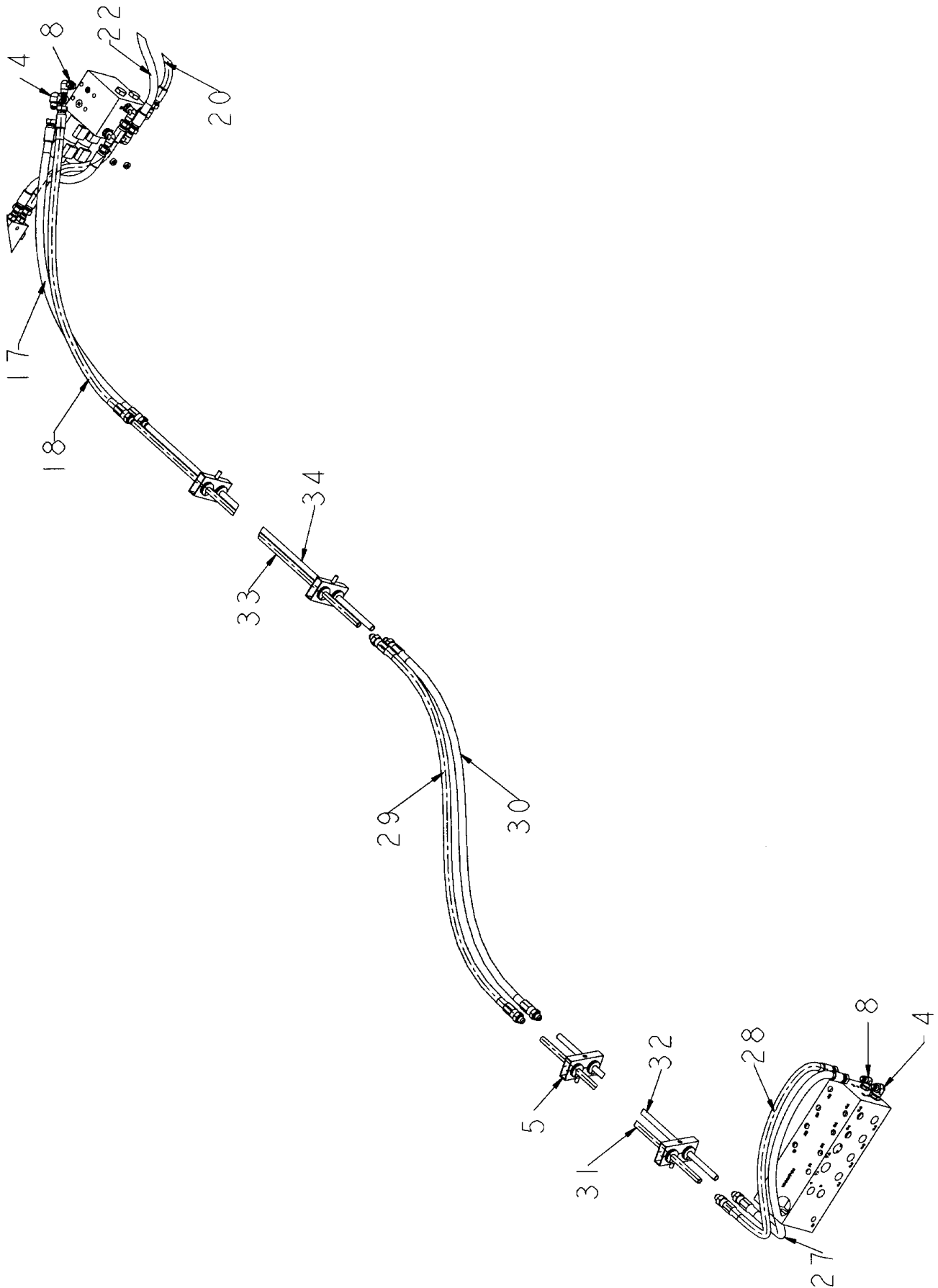


HYDRAULIC JACKS - CYLINDERS & VALVES

ITEM	PART	QTY.	PART DESCRIPTION
1	3700631	1	HOSE\KIT\JACK\HYD\4012
2	3700635	1	HOSE\KIT\JACK\HYD\4012
3	3800048	2	FTG\3\4\MORX\1\2\FP\90\ST;EL
4	3800453	6	FTG\3\4\MORX\9\16\MJIC\90
5	3800552	16	CLAMP\HOSE\1-1\4\2\HOLES
6	3800631	8	FTG\9\16\MORX\9\16\MJIC\ST
7	3800652	16	BUSH\RBBR\TUBE\1\2X1-1\4X1-1\4
8	3800757	6	FTG\9\16\MORX\9\16\MJIC\90
9	3800772	2	FTG\9\16\MOR\ORFC\0.0320"
10	3800795	2	FTG\3\4\MJICX\1\2\FP\ADPT
11	3800796	2	FTG\9\16\MORX\9\16\FJIC\SWADPT
12	4000119	2	VALVE\CHECK\VEL\9GPM
13	4000211	1	VLV\HYD\AUX\BLK\MFLD\TOC
14	4000244	2	VALVE\CHECK\8GPM\VELOCITY\9\16\FOR-9\16\MJIC
15	4000245	2	VALVE\RELIEF\CROSS\SINGLE
16	4100230	2	CYL\HYD\4X24\W\1-3\4\ROD\

ITEM	PART	QTY.	PART DESCRIPTION
17	3701163	1	PRESSURE LINE TO PRESSURE PORT HOSE\HYD\3\8X33\3\4\MJICX\9\16\FJC
18	3701163	1	TANK PORT TO RETURN LINE HOSE\HYD\3\8X33\3\4\MJICX\9\16\FJC
19	3701364	1	HOSE\HYD\3\8X12.5\9\16\FJICS 5A TO PORT1 ON PRESSURE RELIEF VALVE
20	3701364	1	HOSE\HYD\3\8X12.5\9\16\FJICS 6B TO PORT 2 ON PRESSURE RELIEF VALVE
21	3700937	1	HOSE\HYD\3\8X16\9\16\FJICS 5B TO PORT 2 ON PRESSURE RELIEF VALVE
22	3700937	1	HOSE\HYD\3\8X16\9\16\FJICS 6A TO PORT1 ON PRESSURE RELIEF VALVE
23	3701365	1	HOSE\HYD\3\8X 64\9\16\FJICX\3\4\FJIC BUTT END CYLINDER TO PORT 1 PRESSURE RELIEF
24	3701365	1	HOSE\HYD\3\8X 64\9\16\FJICX\3\4\FJIC BUTT END CYLINDER TO PORT 1 PRESSURE RELIEF
25	3701229	1	HOSE\HYD\3\8X68\9\16\FJICS ROD END CYLINDER TO PORT 2 PRESSURE RELIEF
26	3701229	1	HOSE\HYD\3\8X68\9\16\FJICS ROD END CYLINDER TO PORT 2 PRESSURE RELIEF
27	3701366	1	HOSE\HYD\3\8X38\3\4\MJICX\9\16\FJC PRESSURE PORT, AUX VALVE TO PRESSURE LINE
28	3701162	1	HOSE\HYD\3\8X36\3\4\MJICX\9\16\FJC RETURN LINE TO TANK PORT, AUX VALVE
29	3701367	1	HOSE\HYD\3\8X58\3\4\MJICX\3\4\MJC JUMPER HOSE RETURN LINE
30	3701367	1	HOSE\HYD\3\8X58\3\4\MJICX\3\4\MJC JUMPER HOSE PRESSURE LINE
31	3701344	1	TUBE\STL\1\2X.049WALLX96 RETURN TUBE 96"
32	3701344	1	TUBE\STL\1\2X.049WALLX96 PRESSURE TUBE 96"
33	3701345	1	TUBE\STL\1\2X049WALLX156 RETURN TUBE 156"
34	3701245	1	TUBE\STL\1\2X049WALLX156 PRESSURE TUBE 156"

HYDRAULIC JACKS - AUXILLARY & JACK VALVE SUPPLY HOSE

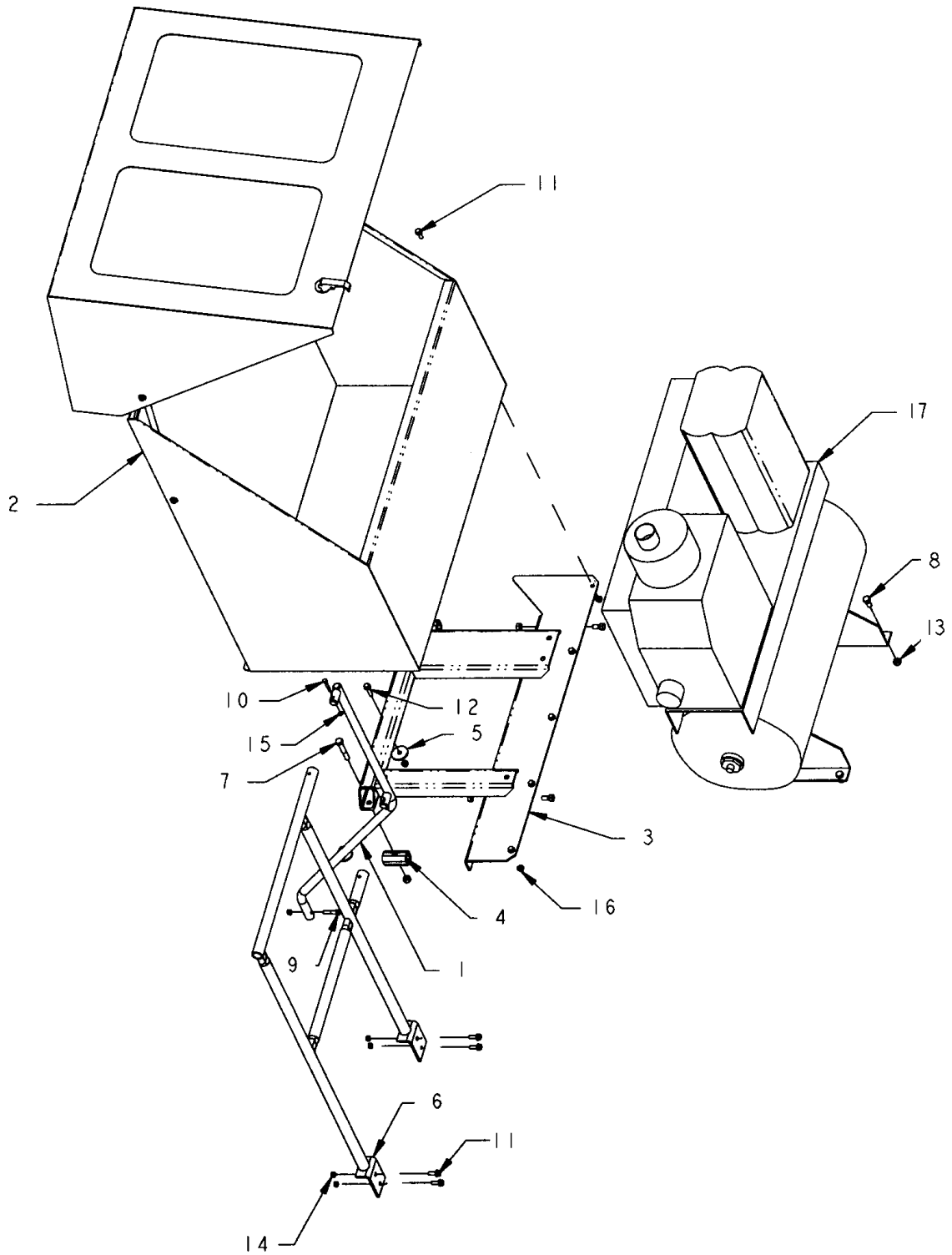


HYDRAULIC JACKS - AUXILLARY & JACK VALVE SUPPLY HOSE

ITEM	PART	QTY.	PART DESCRIPTION
1	3700631	1	HOSE\KIT\JACK\HYD\4012
2	3700635	1	HOSE\KIT\JACK\HYD\4012
3	3800048	2	FTG\3/4MORX1/2FP\90\ST;EL
4	3800453	6	FTG\3/4MORX9/16MJIC\90
5	3800552	16	CLAMP\HOSE\1-1/4\2HOLES
6	3800631	8	FTG\9/16MORX9/16MJIC\ST
7	3800652	16	BUSH\RBBR\TUBE\1/2X1-1/4X1-1/4
8	3800757	6	FTG\9/16MORX9/16MJIC\90
9	3800772	2	FTG\9/16MOR\ORFC\0.0320"
10	3800795	2	FTG\3/4MJICX1/2FP\ADPT
11	3800796	2	FTG\9/16MORX9/16FJIC\SWADPT
12	4000119	2	VALVE\CHECK\VEL\9GPM
13	4000211	1	VLV\HYD\AUX\BLK\MFLD\TOC
14	4000244	2	VALVE\CHECK\8GPM\VELOCITY\9/16FOR-9/16MJIC
15	4000245	2	VALVE\RELIEF\CROSS\SINGLE
16	4100230	2	CYL\HYD\4X24\W\1-3/4ROD\

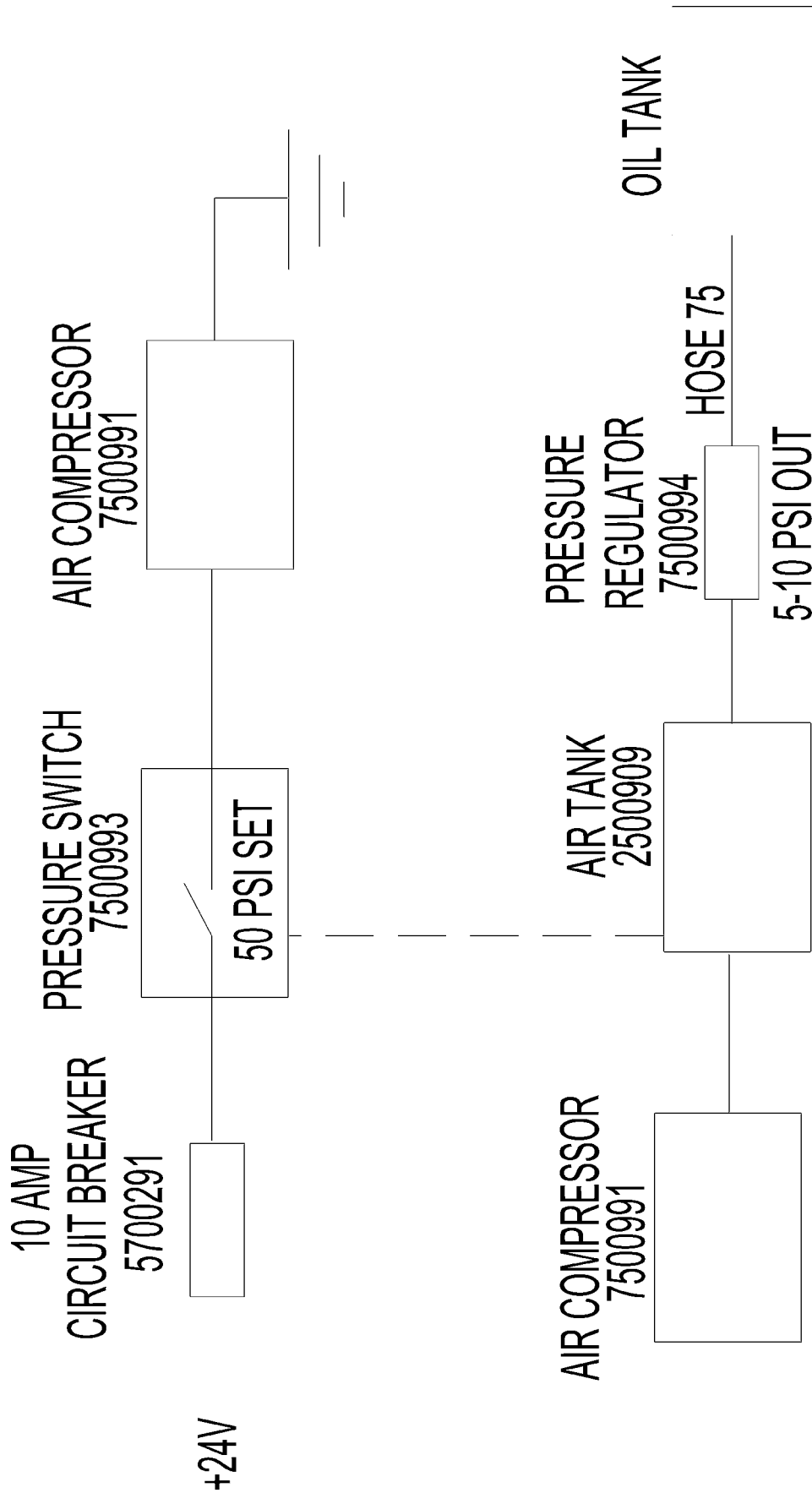
ITEM	PART	QTY.	PART DESCRIPTION
17	3701163	1	PRESSURE LINE TO PRESSURE PORT HOSE\HYD\3/8X33\3/4MJCX9/16FJC
18	3701163	1	TANK PORT TO RETURN LINE HOSE\HYD\3/8X33\3/4MJCX9/16FJC
19	3701364	1	HOSE\HYD\3/8X12.5\9/16FJICS 5A TO PORT1 ON PRESSURE RELIEF VALVE
20	3701364	1	HOSE\HYD\3/8X12.5\9/16FJICS 6B TO PORT 2 ON PRESSURE RELIEF VALVE
21	3700937	1	HOSE\HYD\3/8X16\9/16FJICS 5B TO PORT 2 ON PRESSURE RELIEF VALVE
22	3700937	1	HOSE\HYD\3/8X16\9/16FJICS 6A TO PORT1 ON PRESSURE RELIEF VALVE
23	3701365	1	HOSE\HYD\3/8X 64\9/16FJICX3/4FJIC BUTT END CYLINDER TO PORT 1 PRESSURE RELIEF
24	3701365	1	HOSE\HYD\3/8X 64\9/16FJICX3/4FJIC BUTT END CYLINDER TO PORT 1 PRESSURE RELIEF
25	3701229	1	HOSE\HYD\3/8X68\9/16FJICS ROD END CYLINDER TO PORT 2 PRESSURE RELIEF
26	3701229	1	HOSE\HYD\3/8X68\9/16FJICS ROD END CYLINDER TO PORT 2 PRESSURE RELIEF
27	3701366	1	HOSE\HYD\3/8X38\3/4MJCX9/16FJC PRESSURE PORT, AUX VALVE TO PRESSURE LINE
28	3701162	1	HOSE\HYD\3/8X36\3/4MJCX9/16FJC RETURN LINE TO TANK PORT, AUX VALVE
29	3701367	1	HOSE\HYD\3/8X58\3/4MJCX3/4MJC JUMPER HOSE RETURN LINE
30	3701367	1	HOSE\HYD\3/8X58\3/4MJCX3/4MJC JUMPER HOSE PRESSURE LINE
31	3701344	1	TUBE\STL\1/2X.049WALLX96 RETURN TUBE 96"
32	3701344	1	TUBE\STL\1/2X.049WALLX96 PRESSURE TUBE 96"
33	3701345	1	TUBE\STL\1/2X049WALLX156 RETURN TUBE 156"
34	3701245	1	TUBE\STL\1/2X049WALLX156 PRESSURE TUBE 156"

AIR COMPRESSOR ASSEMBLY (OPTION)



AIR COMPRESSOR ASSEMBLY (OPTION)

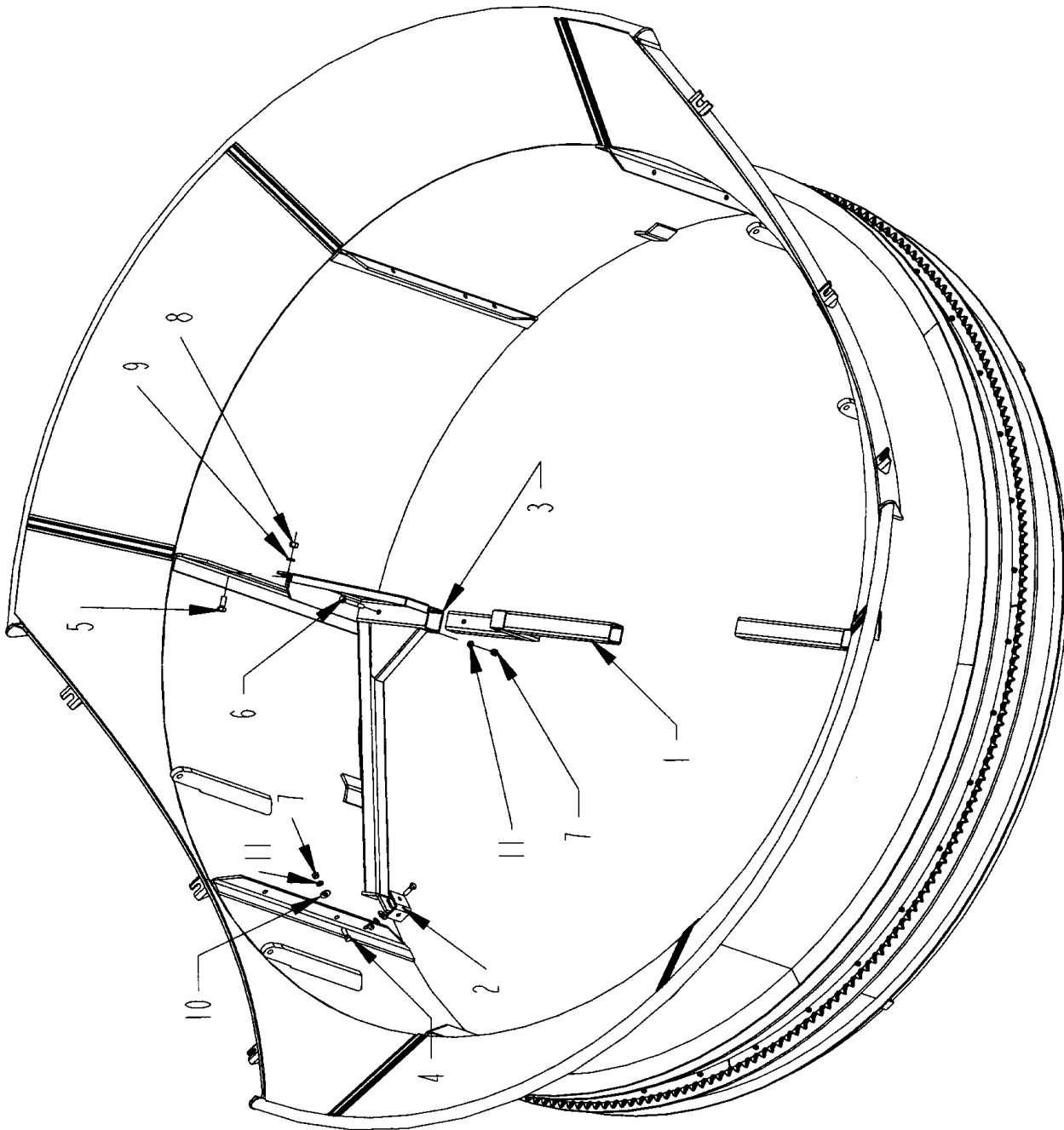
ITEM	PART	QTY.	PART DESCRIPTION
1	4702493	1	BRACE\RAIL\HAND
2	4702861	1	CVR\ASSY\WANDLE\HD-12\CMRSSR
3	4702877	1	FRM\CMRSSRAIR
4	4703470	2	SPCR\BLOCK\COMPAIR
5	4703472	3	WASH\FLAT\3/8X2 O.D.
6	4703837	1	RAIL\HAND\SIDE\CMRSSR
7	4800068	2	BOLT\HEX\1/2X3
8	4800085	6	BOLT\HEX\1/2X1
9	4800142	1	BOLT\HEX\3/8X1-3/4
10	4800506	2	BOLT\HEX\1/4X1-3/4\NC
11	4800913	10	BOLT\FLG\SERR\3/8X1\NC
12	4800915	3	BOLT\FLG\SERR\3/8X1-1/2\NC
13	4900014	8	NUT\TPLCK\1/2\NC
14	4900023	5	NUT\TPLCK\3/8\NC
15	4900084	2	NUT\TPLCK\1/4\NC
16	4900109	9	NUT\FLG\TPLCK\3/8\NC
17	7500584	1	COMPAIR\12HP\GAS
NOT SHOWN			
	7501246	1	REEL\HOSE\AIR\HD\1/2\DX50
	5700206	2	TERM\RING\3/8\4GA
	5700226	1	ENCL\BATT\PLSTC\GRP27
	5700227	1	BATT\12VDC\GRP24
	5700275	2	TERM\BATT\UNIV\MARINE\
	5700353	10 FT	CSL\BATT\RED\#4



860 HP ENGINE - AIR COMPRESSOR SCHEMATIC

PART	QTY.	PART DESCRIPTION
2500909	1	AIR TANK SMALL 2001
7500991	1	COMP\AIR\24V\
7500993	1	SWITCH\PRESS\85-105psi
7500994	1	REGULATOR\PRESS\0-15PSI\

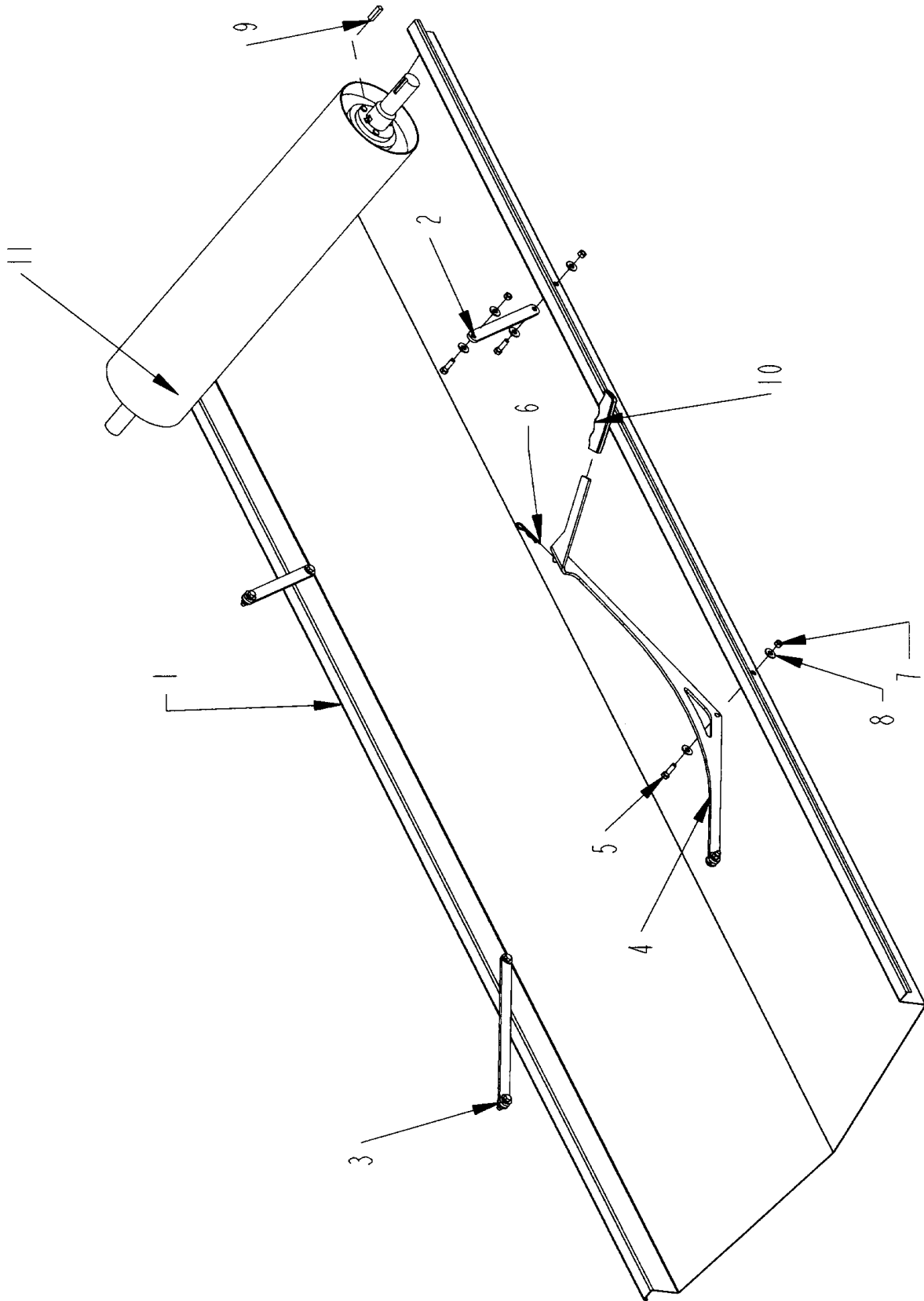
TUB AGITATOR ASSEMBLY (OPTION)



TUB AGITATOR ASSEMBLY (OPTION)

ITEM	PART	QTY.	PART DESCRIPTION
1	4700143	2	ARM\AGTTR\TUB
2	4700144	2	BRKT\AGTTR\TUB
3	4700493	2	MNT\AGTTR\TUB
4	4800082	4	BOLT\HEX\1/2X1-1/2
5	4800106	6	BOLT\HEX\5/8X1-1/2
6	4800188	2	BOLT\HEX\1/2X4
7	4900001	5	NUT\HEX\1/2\NC
8	4900005	7	NUT\HEX\5/8\NC
9	5000003	6	WASH\LOCK\5/8
10	5000004	4	WASH\FLAT\1/2
11	5000006	6	WASH\LOCK\1/2

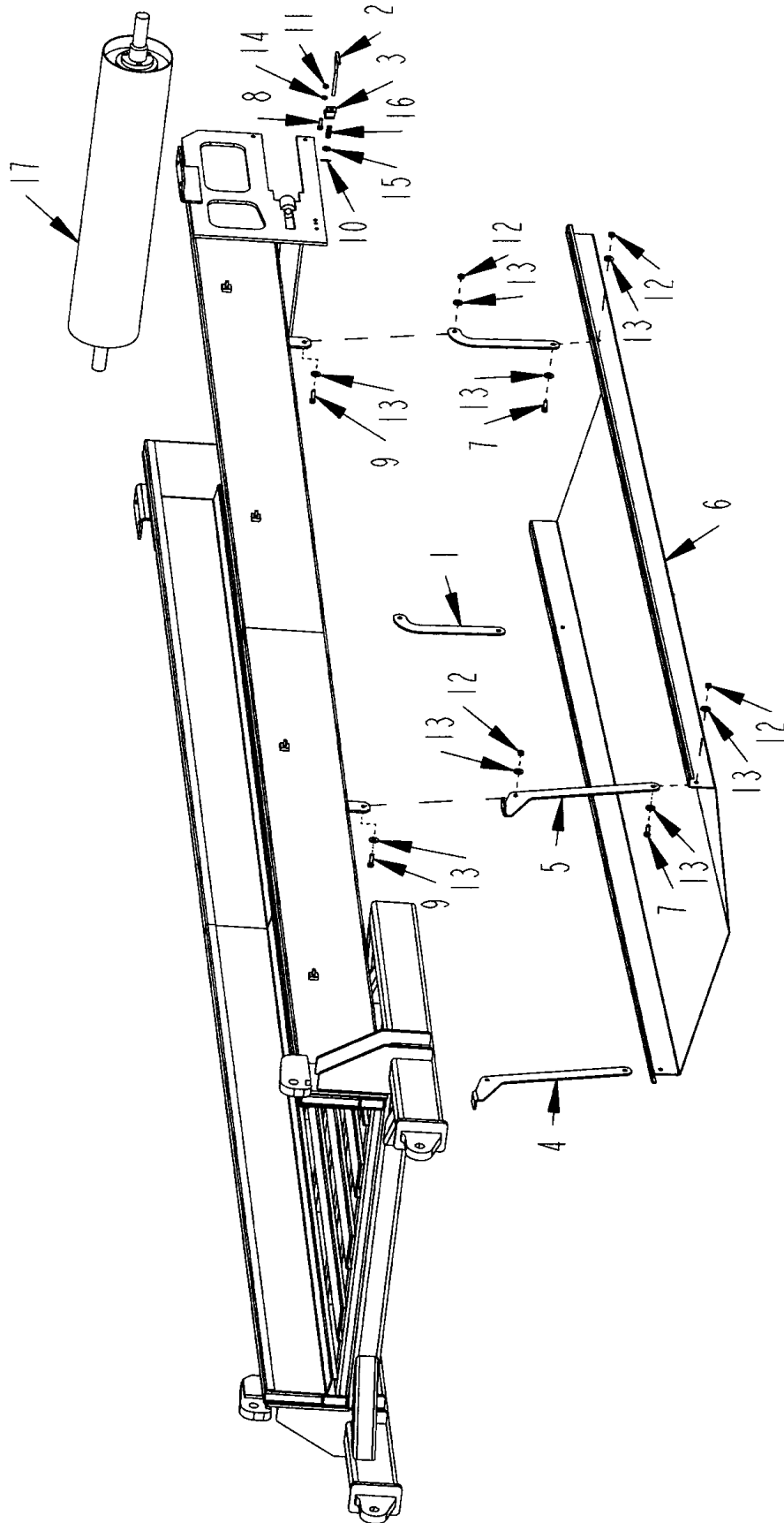
MAGNETIC ROLLER ASSEMBLY THRU SN 0115 (OPTION)



MAGNETIC ROLLER ASSEMBLY THRU SN 0115 (OPTION)

ITEM	PART	QTY.	PART DESCRIPTION
1	4703628	1	CHUTE\RLLR\MAG
2	4703630	2	BRKT\MNG\CHUTE
3	4703631	1	BRKT\MNG\FR\CHUTE
4	4703634	1	LVR\ADJ\CHUTE\ASSY
5	4800098	8	BOLT\HEX\3/8X1-1/4\NC
6	4800107	1	PIN\HAIR\1/8(#9)
7	4900023	8	NUT\PLCK\3/8\NC
8	5000001	16	WASH\FLAT\3/8
9	6200007	1	KEY\SQ\3/8X1-1/2
10	7500938	1	GRIP\LVR\ADJ
11	7501087	1	RLLR\MAG\8X36

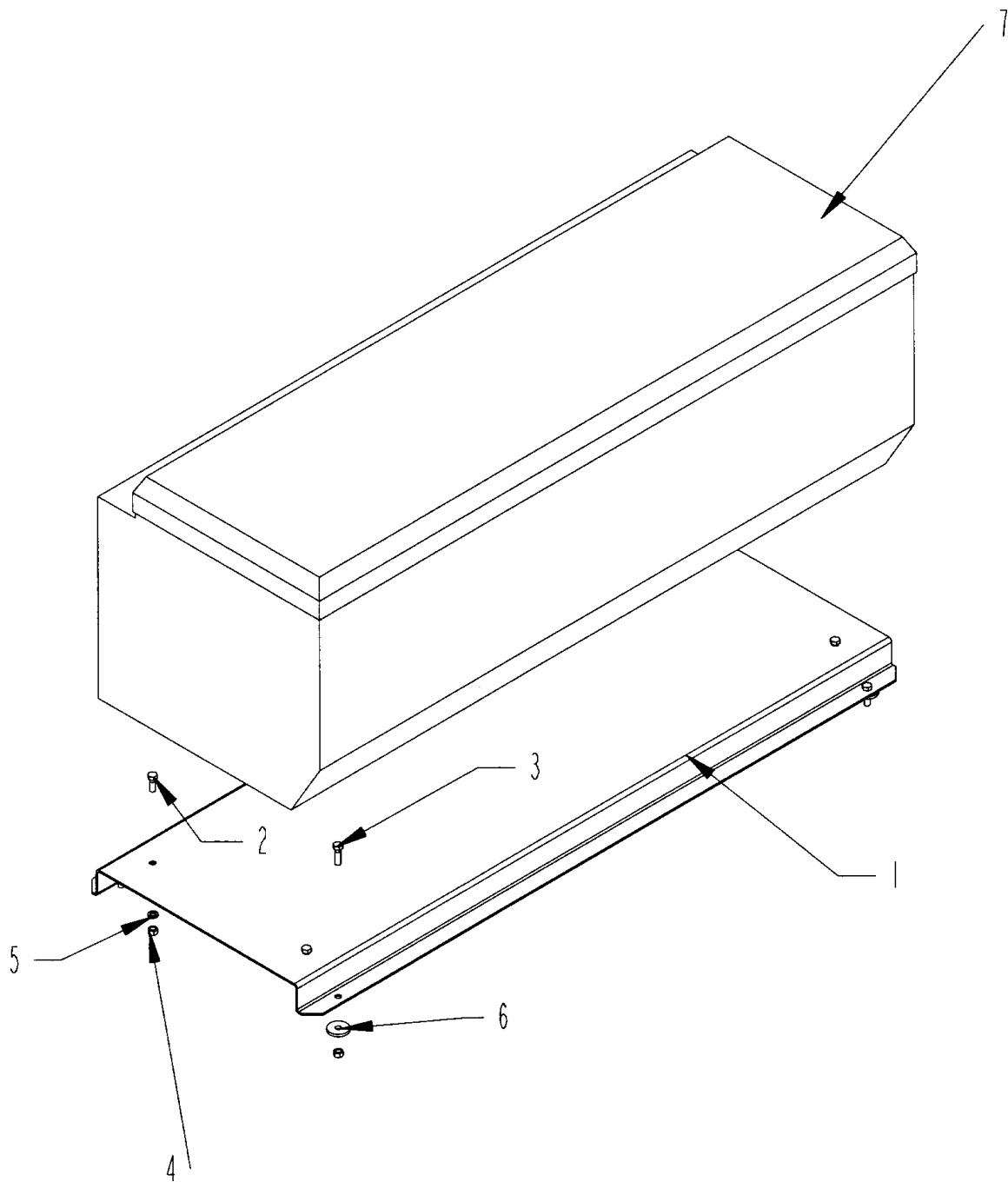
MAGNETIC ROLLER ASSEMBLY SN 0116 AND UP (OPTION)



MAGNETIC ROLLER ASSEMBLY SN 0116 AND UP (OPTION)

ITEM	PART	QTY.	PART DESCRIPTION
1	4702852	2	BRKT\MTG\FR\CHUTE\RLLR\MAGNETIC
2	4702871	2	PIN\HANDLE\MAG\CHUTE
3	4702876	2	BRKT\PIN\CHUTE\MAG
4	4703475	1	BRKT\MNT\FR\CHUTE\RLLR\MAG
5	4703476	1	BRKT\MNT\FR\CHUTE\RLLR\MAG
6	4704077	1	CHUTE\DISCH\RLLR\MAGNETIC
7	4800003	4	BOLT\HEX\3/8X1
8	4800013	4	BOLT\HEX\5/16X1
9	4800098	4	BOLT\HEX\3/8X1-1/4\NC
10	4800110	2	PIN\COT\1/8X3/4
11	4900003	4	NUT\HEX\5/16\NC
12	4900023	8	NUT\TPLCK\3/8\NC
13	5000001	16	WASH\FLAT\3/8
14	5000022	4	WASH\LOCK\5/16
15	5000023	2	WASH\FLAT\5/16
16	6100064	2	SCRAPERSPRING
17	7501087	1	RLLR\MAG\8X36

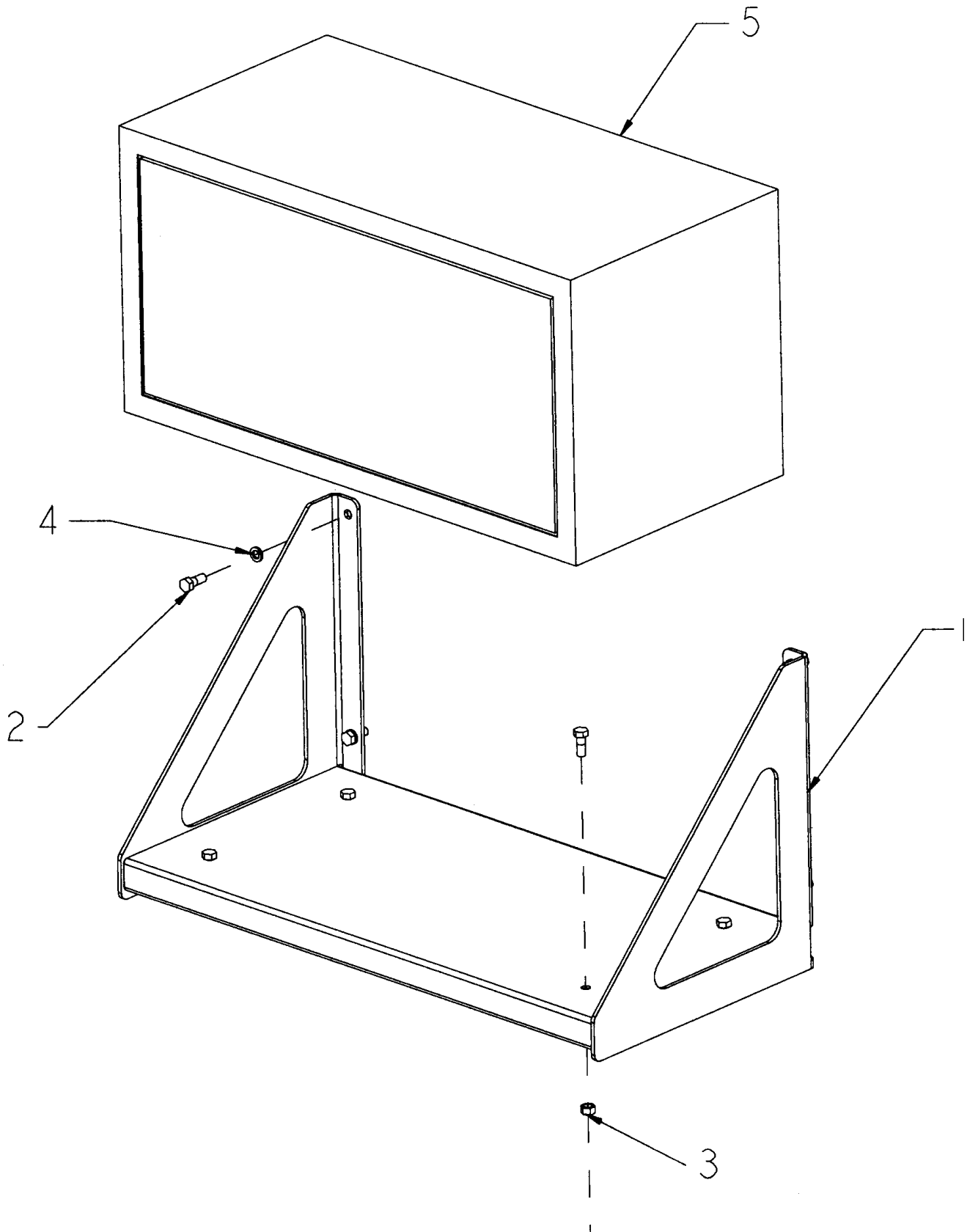
TOOL BOX ASSEMBLY (OPTION)



TOOL BOX ASSEMBLY (OPTION)

ITEM	PART	QTY.	PART DESCRIPTION
	4703883		BOX\TOOL\OPT4012\N0;LODR
1	4703832	1	BRKT\BOX\TOOL\PU;STYLE
2	4800003	4	BOLT\HEX\3/8X1
3	4800098	4	BOLT\HEX\3/8X1-1/4\NC
4	4900002	8	NUT\HEX\3/8\NC
5	5000019	4	WASH\LOCK\3/8
6	5000096	4	WASH\FLAT\SPCL\13/32X7GAX1-1/2OD
7	7500943	1	CHEST\TOOL\54X20X16

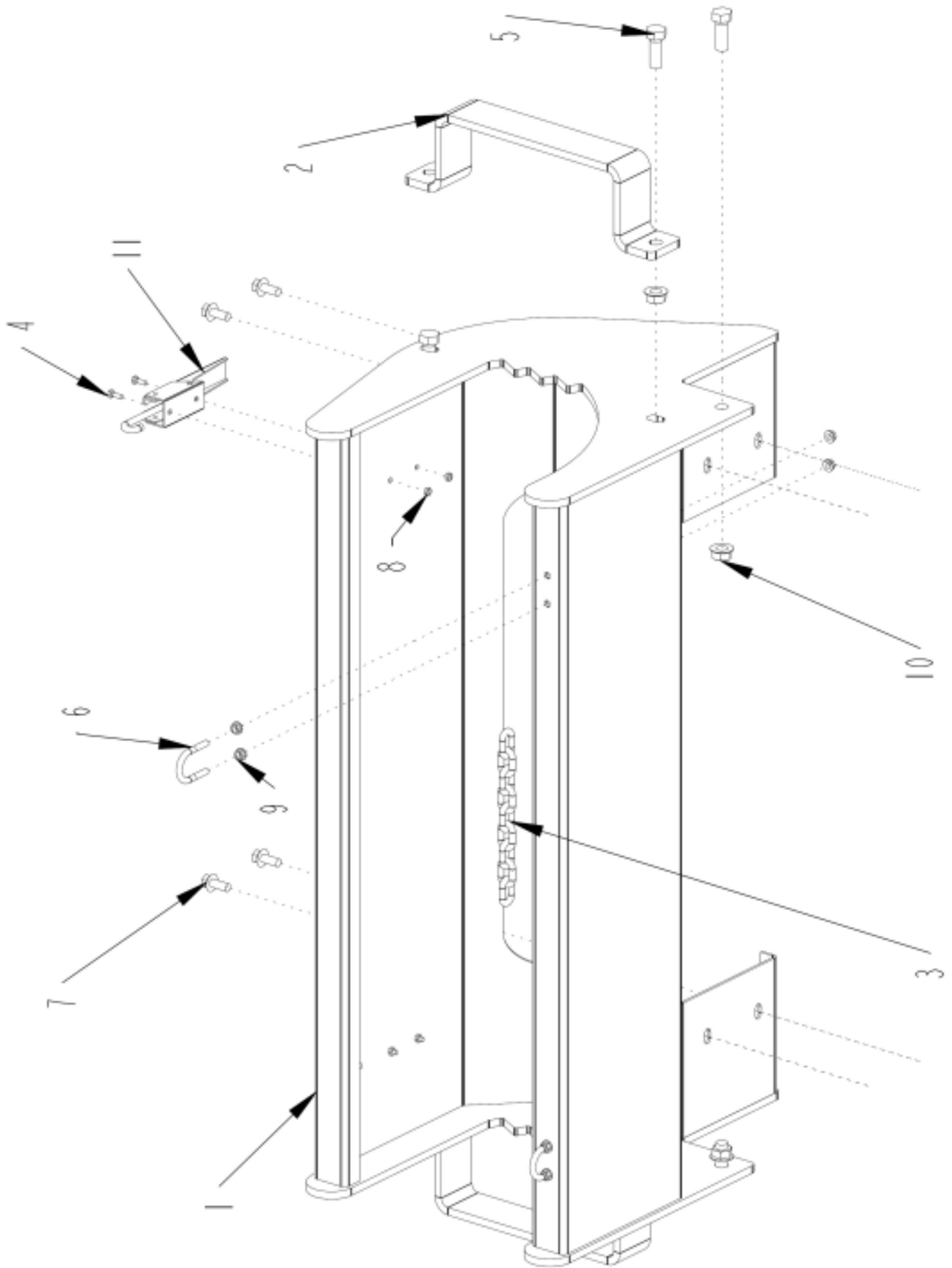
**PACKAGE TOOL BOX ASSEMBLY
(FOR S.N. UP TO 40-2-FJ-136)**



**PACKAGE TOOL BOX ASSEMBLY
(FOR S.N. UP TO 40-2-FJ-136)**

ITEM	PART	QTY.	PART DESCRIPTION
	4704035		BOX\TOOL\STD\3010\4012
1	4704034	1	BRKT\SPPT\BOX\TOOL
2	4800628	8	BOLT\HEX\1/2X1-1/4\GR8\NC
3	4900014	4	NUT\TPLCK\1/2\NC
4	5000006	4	WASH\LOCK\1/2
5	7500971	1	BOX\TOOL\18X18X36

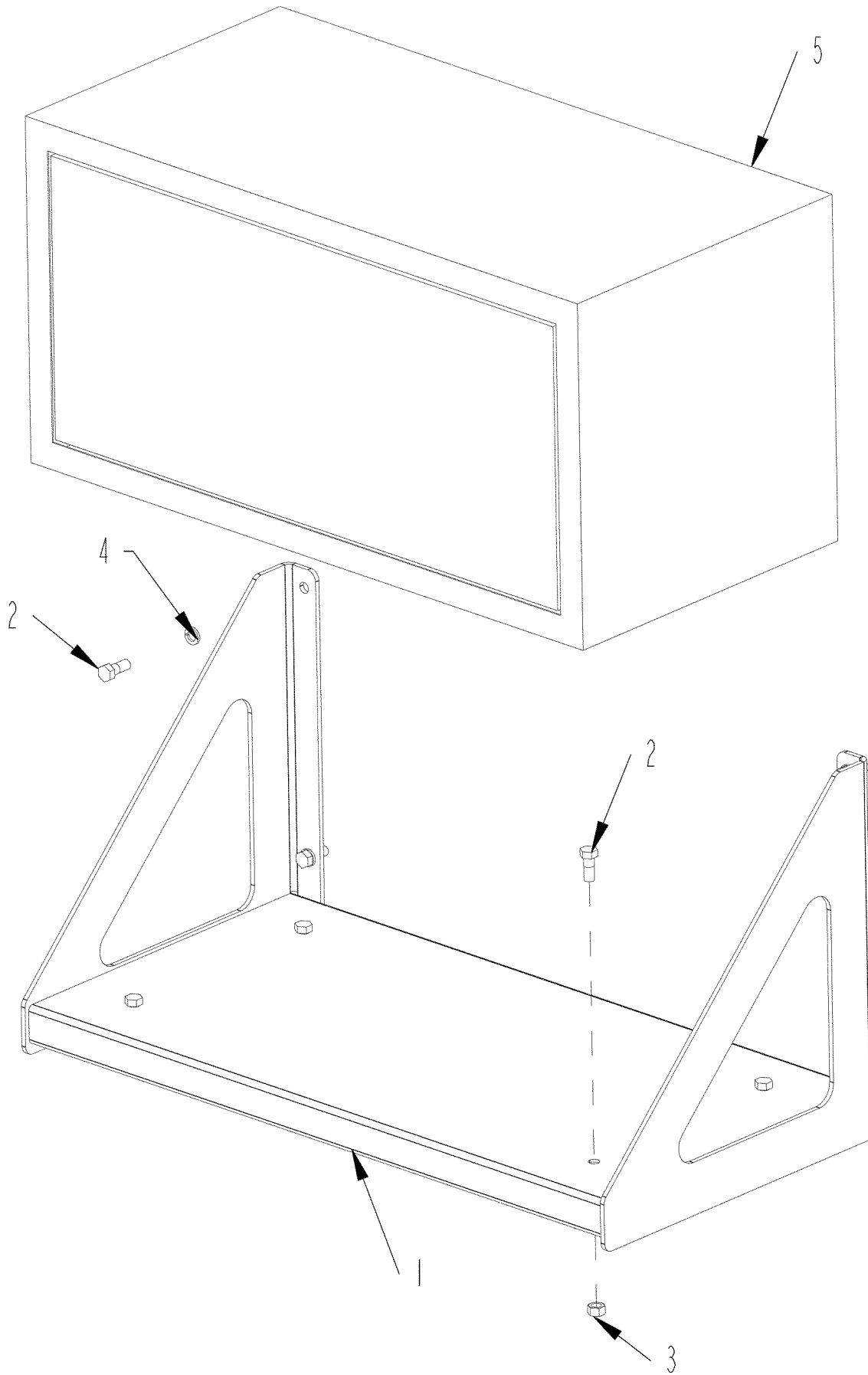
SCREEN RACK ASSEMBLY (OPTION)



SCREEN RACK ASSEMBLY (OPTION)

ITEM	PART	QTY.	PART DESCRIPTION
1	4704030	1	BRKT\RACK\SCRN\FRNT
2	4704031	2	STRAP\RTNR\RACK\SCRN
3	4704032	2	RACK\SCRN\CHAIN\3/8\32LINKS
4	4800024	4	BOLT\HEX\1/4X3/4
5	4800033	6	BOLT\HEX\3/4X2
6	4800638	2	BOLT\U\3/8X2-1/2X2-1/2
7	4800928	4	BOLT\FLG\SERR\1/2X1-1/4\NC
8	4900084	4	NUT\TPLCK\1/4\NC
9	4900109	8	NUT\FLG\TPLCK\3/8\NC
10	4900158	6	NUT\FLG\SERR\3/4\NC
11	7501045	2	LATCH\ADJ\OTC\4" GRIP
	4704029		RACK\SCRN\ASSY\OPT\4012

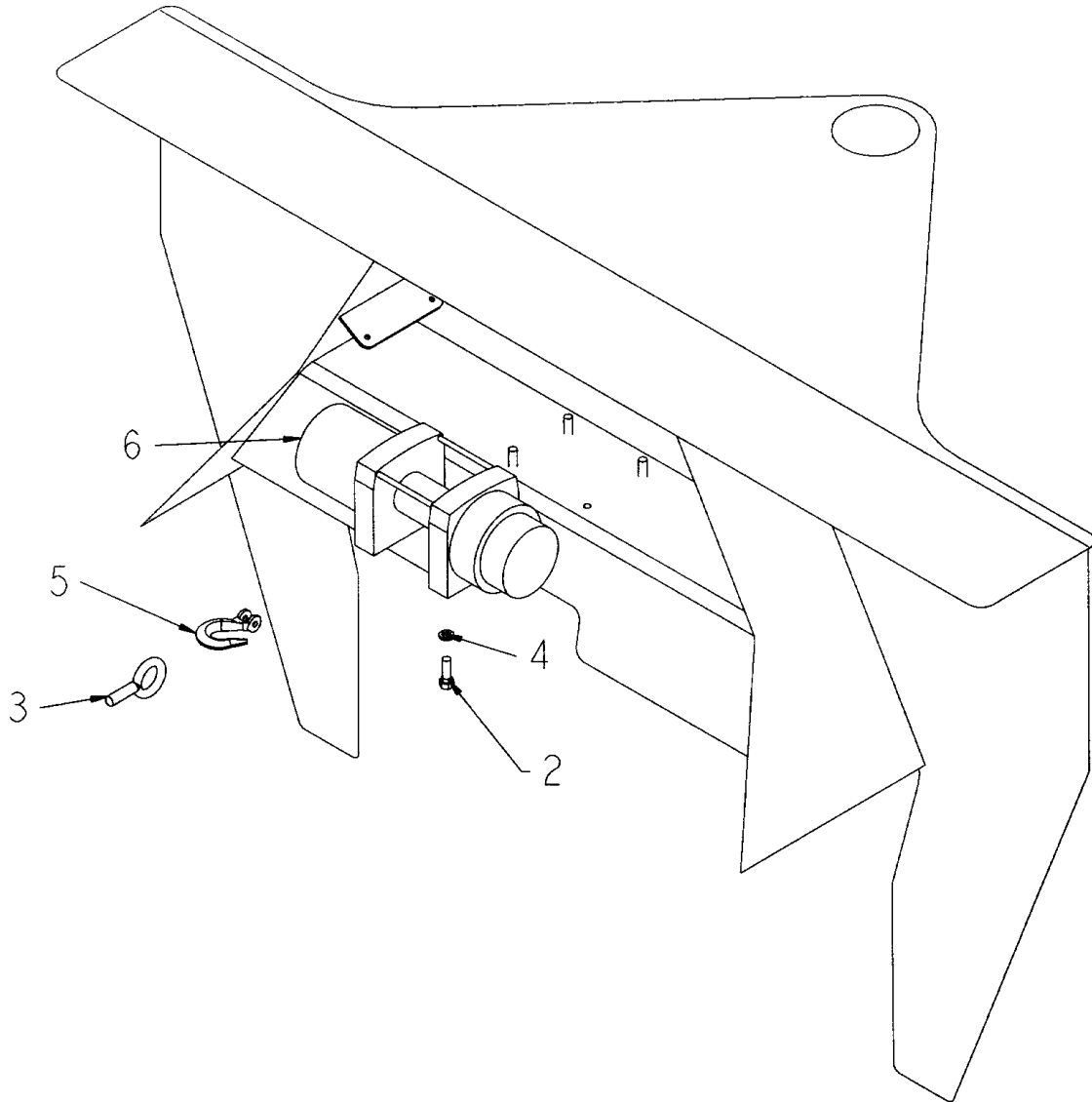
**PACKAGE TOOL BOX ASSEMBLY (STANDARD)
(FOR S.N. 40-2-FJ-137 & UP)**



**PACKAGE TOOL BOX ASSEMBLY (STANDARD)
(FOR S.N. 40-2-FJ-137 & UP)**

ITEM	PART	QTY.	PART DESCRIPTION
1	4704935	1	BRKT\SPPT\BOX\TOOL
2	4800628	8	BOLT\HEX\1/2X1-1/4\GR8\NC
3	4900014	4	NUT\TPLCK\1/2\NC
4	5000006	4	WASH\LOCK\1/2
5	7500971	1	BOX\TOOL\18X18X36
	4704943		BOX\TOOL\ASSY

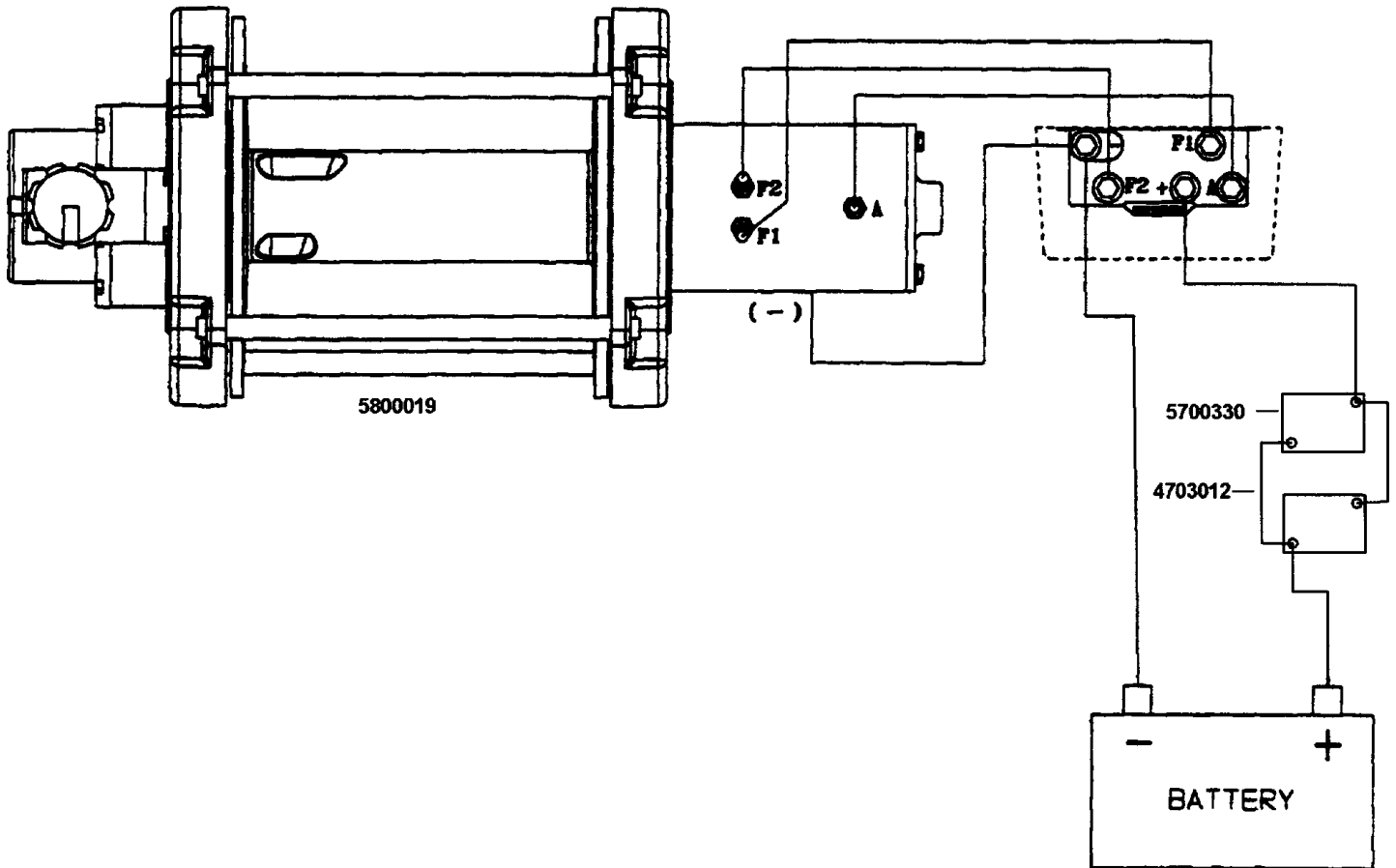
ELECTRIC HAMMER ROD PULLER (OPTION)



ELECTRIC HAMMER ROD PULLER (OPTION)

ITEM	PART	QTY.	PART DESCRIPTION
1	4703573	1	HMMR\ROD\PLLR\4012\PKG
2	4800082	4	BOLT\HEX\1/2X1-1/2
3	4800600	1	BOLT\EYE\5/8X1-1-3/4\NC\1-3/8EYE\FORGED
4	5000006	4	WASH\LOCK\1/2
5	5800002	1	5/16 SLIP HOOK
6	5800019	1	WINCH\ELEC\2000#\24VDC\HMMR;ROD;PULLER

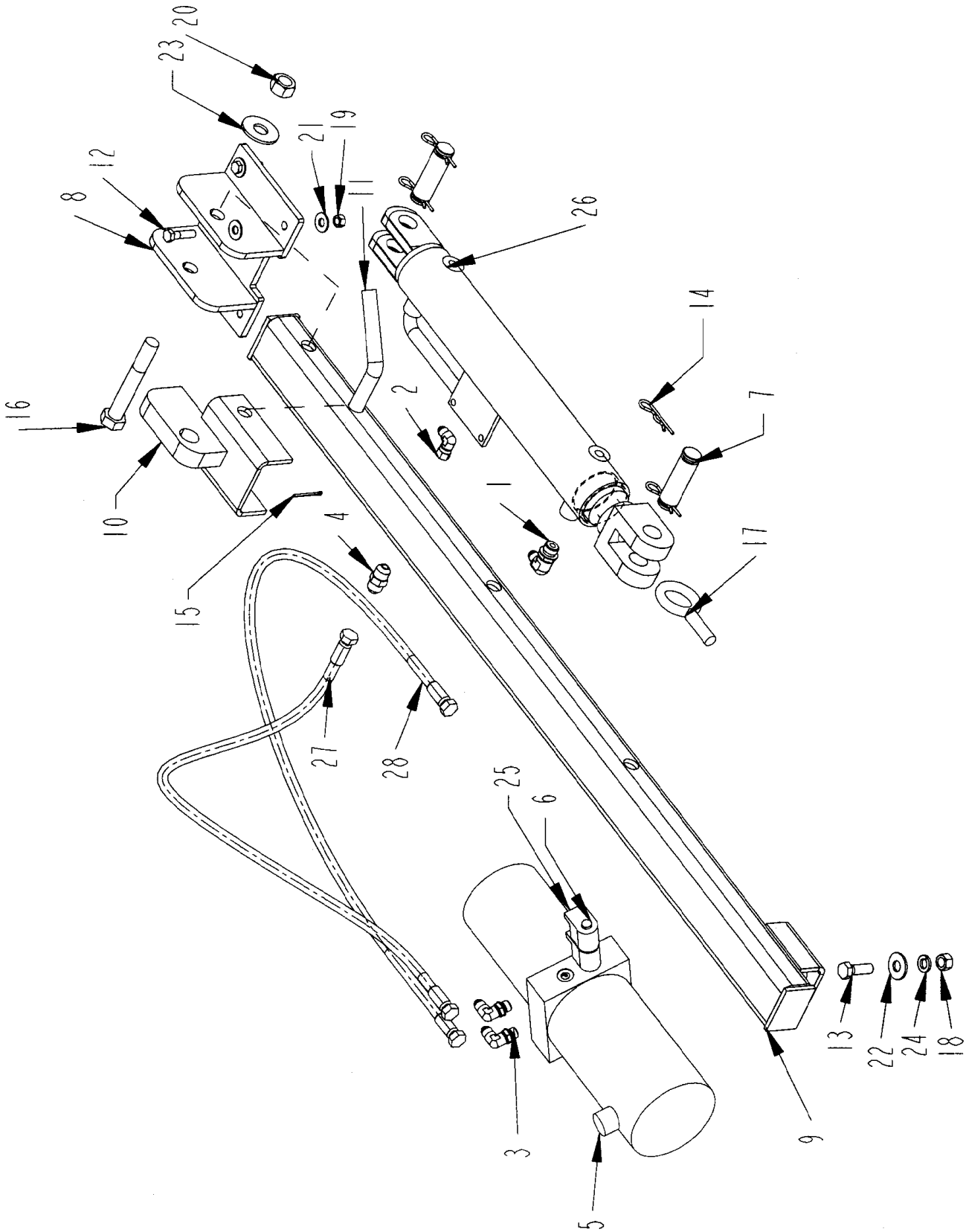
ELECTRIC HAMMER ROD PULLER SCHEMATIC (OPTION)



ELECTRIC HAMMER ROD PULLER SCHEMATIC (OPTION)

PART	QTY.	PART DESCRIPTION
4703573	1	HMMR\ROD\PLLR\4012\PKG
4703012	2	TERM\JMPR\BENT\STRIP
4800027	2	CLAMP\CBL\1/4
4800082	4	BOLT\HEX\1/2X1-1/2
4800600	1	BOLT\EYE\5/8X1-3/4\NC\>
5000006	4	WASH\LOCK\1/2
5700330	2	BRKR\CRCT\100A\AUTO\SURF
5800002	1	HOOK\SLIP\5/16
5800019	1	WINCH\ELEC\2000#\24VDC\>
5800315	20'	CABLE\1/4"(PER FT)

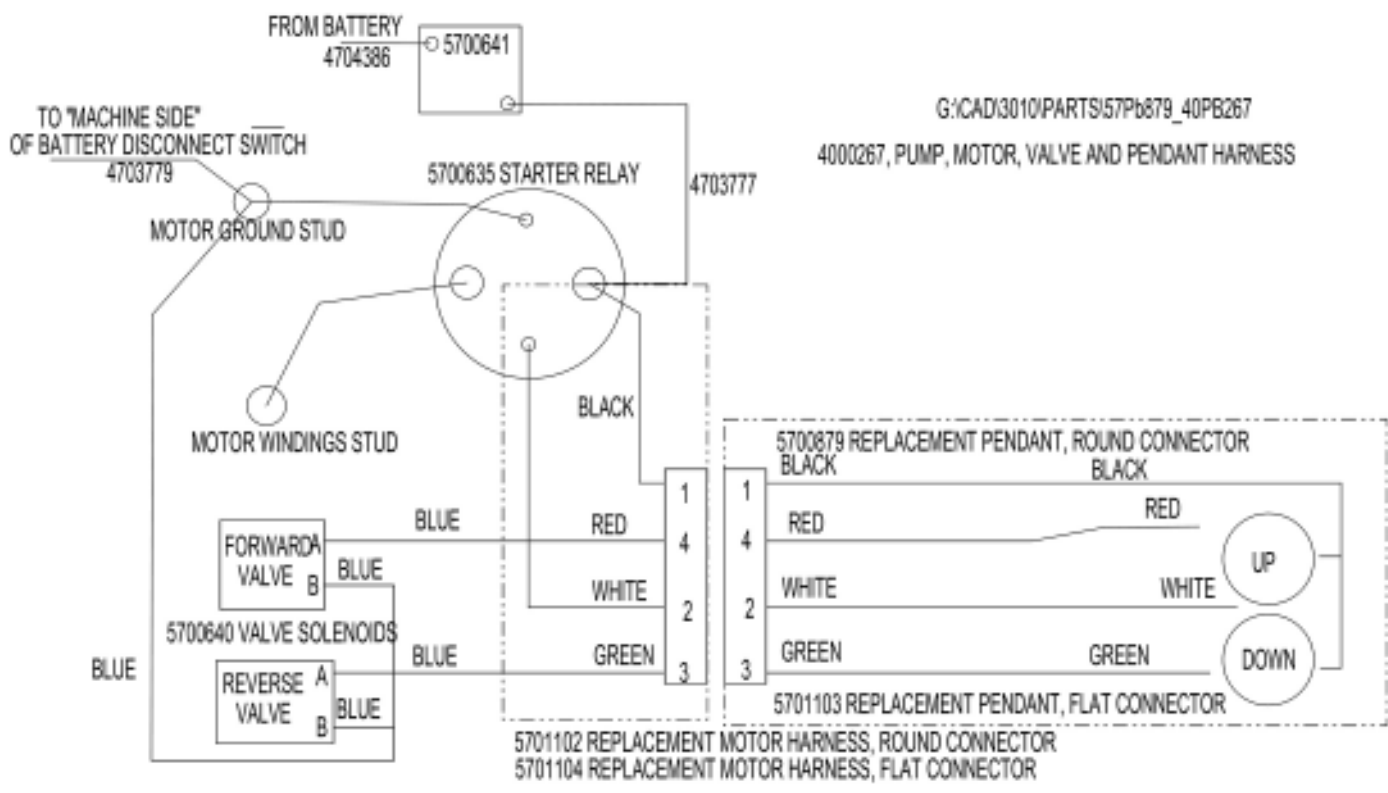
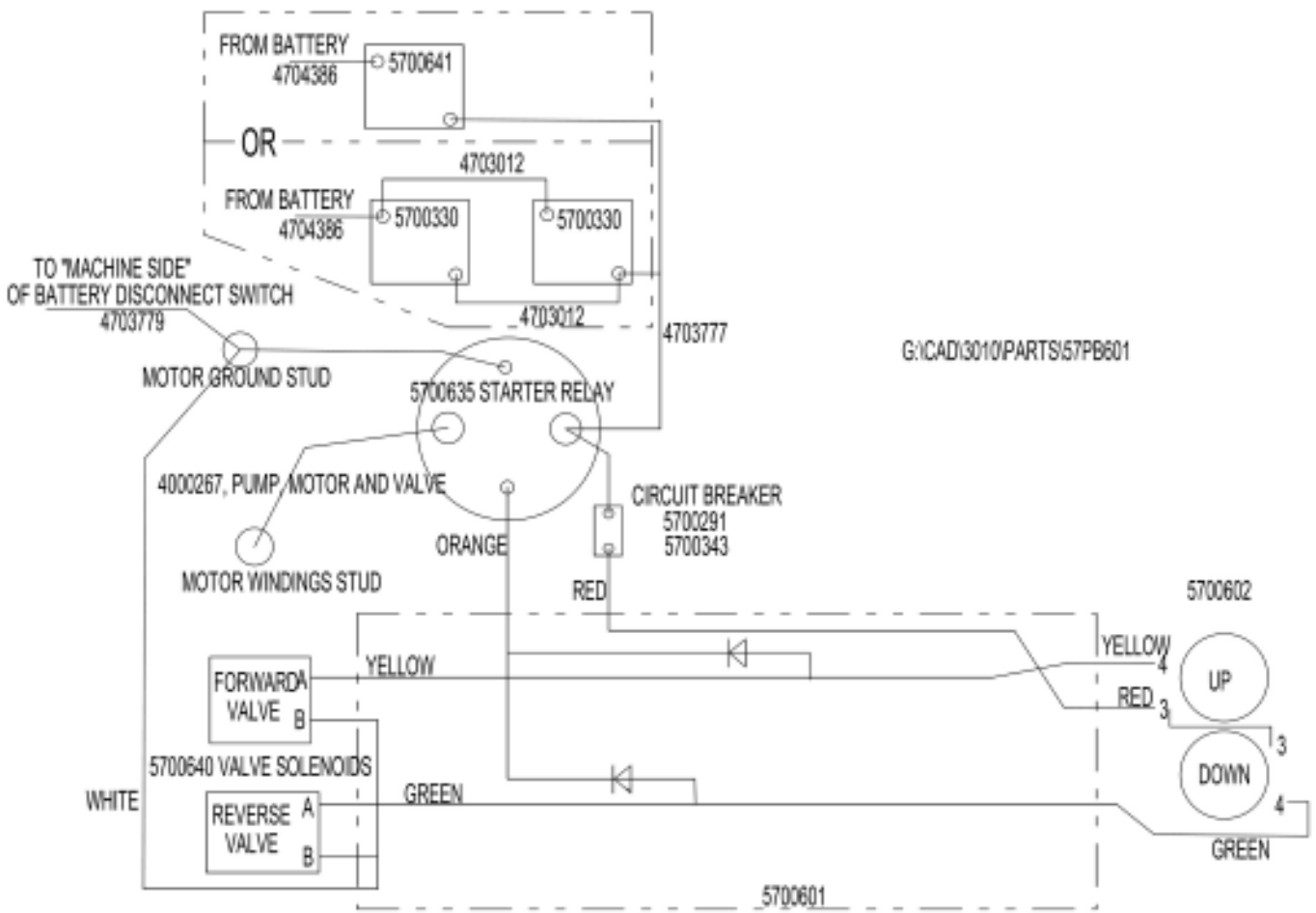
HYDRAULIC HAMMER ROD PULLER (OPTION)



HYDRAULIC HAMMER ROD PULLER (OPTION)

ITEM	PART	QTY.	PART DESCRIPTION
1	3800453	1	FTG\3/4MORX9/16MJIC\90
2	3800645	1	FTG\9/16MJICX9/16+FJIC\90\SW
3	3800757	2	FTG\9/16MORX9/16MJIC\90
4	3800843	1	FTG\3/4MJICX9/16MJIC\UNION
5	4000267	1	UNIT\PWR\24V\W/2QT RSVR
5A	5700635		RELAY\24V\
6	4000303	1	VALVE\HYD\CART\3POS,4WAY
7	4100030	2	PIN 1" X 3-1/2" HYD. CYL.
8	4704164	1	BASE\RD\PLLR
9	4704165	1	TUBE\ASSY\RD\PLLR
10	4704166	1	MNT\CYL\RD\PLLR
11	4704167	1	PIN\HNDL\RD\PLLR
12	4800034	4	BOLT\HEX\3/8X1-1/2
13	4800082	1	BOLT\HEX\1/2X1-1/2
14	4800107	4	PIN\HAIR\1/8(#9)
15	4800123	1	PIN\COT\1/8X1-1/2
16	4800224	1	BOLT\HEX\3/4X5
17	4800600	1	BOLT\EYE\5/8X1-1-3/4\NC\1-3/8EYE\FORGED
18	4900001	1	NUT\HEX\1/2\NC
19	4900002	4	NUT\HEX\3/8\NC
20	4900004	1	NUT\HEX\3/4\NC
21	5000001	8	WASH\FLAT\3/8
22	5000004	1	WASH\FLAT\1/2
23	5000005	1	WASH\FLAT\3/4
24	5000006	1	WASH\LOCK\1/2
25	5700640	2	VALVE\HYD\SOL\24V\DEL TROL
26	4100192	1	CYL\HYD\HSG
27	3701586	1	PORTA POWER TO ROD PULLER CYL.
28	3701587	1	PORTA POWER TO ROD PULLER CYL.
	4704163		4012_RD_PULLER ASSY

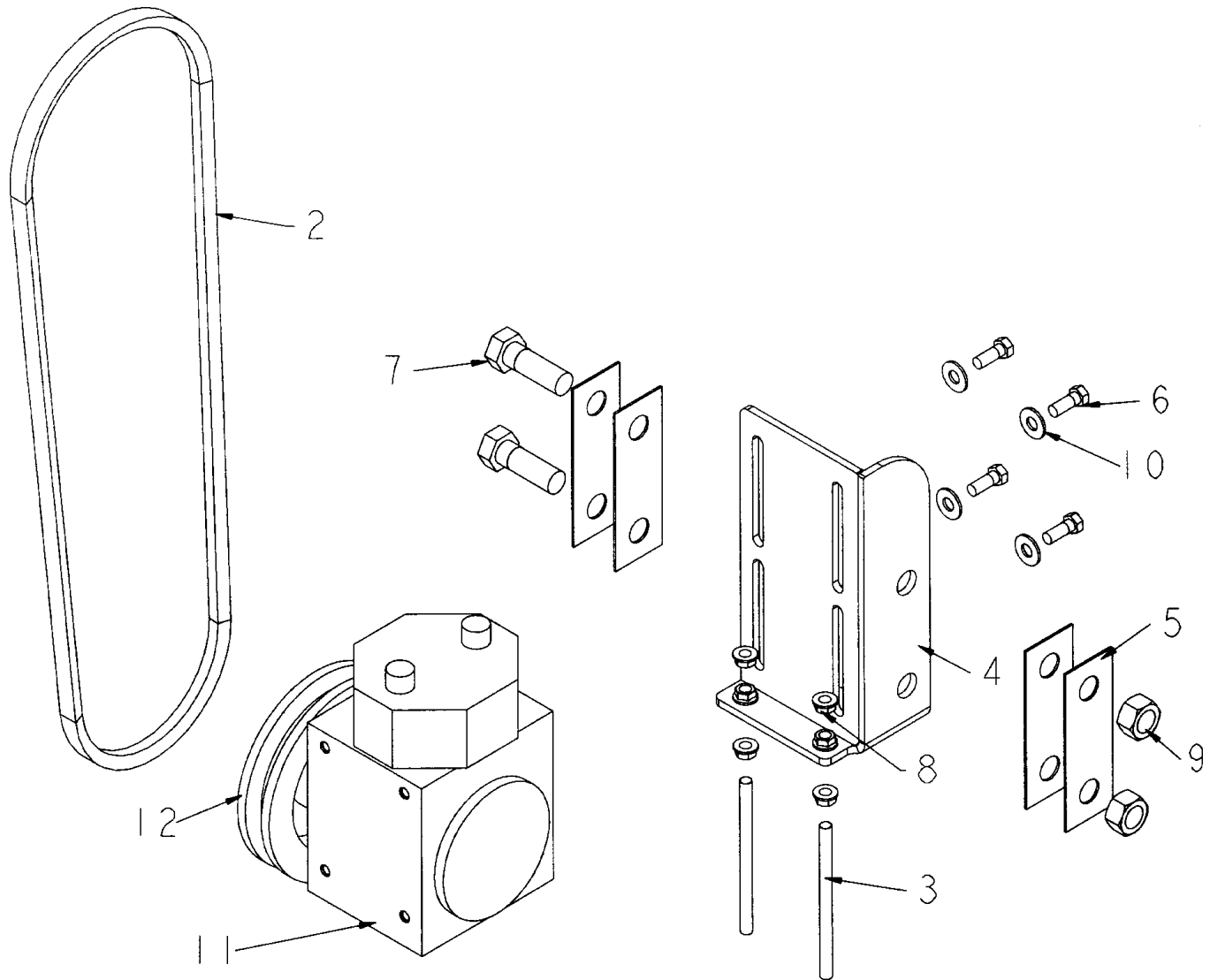
HYDRAULIC HAMMER ROD PULLER SCHEMATIC (OPTION)



HYDRAULIC HAMMER ROD PULLER SCHEMATIC (OPTION)

PART	QTY.	PART DESCRIPTION
4703786		HMMR\ROD\PLLR\KIT\3010
		2 BREAKER VERSION
4703012	2	TERM\JMPR\BENT\STRIP
4703777	1	CBL\BATT\30\#4\POS\1\4RING\3/8 RING
4703779	1	CBL\BATT\50\2\0\NEG\1\2RING\3/8 RING
4704386	1	CBL\BATT\30\#4\POS\1\2& 1/4 RING TERMS
5700291	1	BRKR\CRCT\10A\AUTO\TYPE1
5700330	2	BRKR\CRCT\100A\AUTO\SURF
5700343	1	ENCL\BOOT\BRKR\CRCT\RED
5700523	1	DIODE\3AMP
5700601	1	HARN\HYD;ROD;PULLER
5700602	1	STATION\PENDANT\ASSY
		SINGLE BREAKER VERSION
4703777	1	CBL\BATT\30\#4\POS\1\4RING\3/8 RING
4703779	1	CBL\BATT\50\2\0\NEG\1\2RING\3/8 RING
4704386	1	CBL\BATT\30\#4\POS\1\2& 1/4 RING TERMS
5700291	1	BRKR\CRCT\10A\AUTO\TYPE1
5700343	1	ENCL\BOOT\BRKR\CRCT\RED
5700523	1	DIODE\3AMP
5700601	1	HARN\HYD;ROD;PULLER
5700602	1	STATION\PENDANT\ASSY
5700641	1	BRKR\CRCT\150A\AUTO\SURF
5700601	1	HARN\HYD;ROD;PULLER
5700602	1	SWITCH\STAT\PENDANT\ASSY
5700879	1	HARN\SWITCH\POWER UNIT\W/ROUND PLUG for 4000267
5701102	1	HARN\MOTOR\POWER UNIT\W/ROUND PLUG for 4000267
5701103	1	HARN\SWITCH\POWER UNIT\W/FLAT PLUG for 4000267
5701104	1	HARN\MOTOR\POWER UNIT\W/FLAT PLUG for 4000267

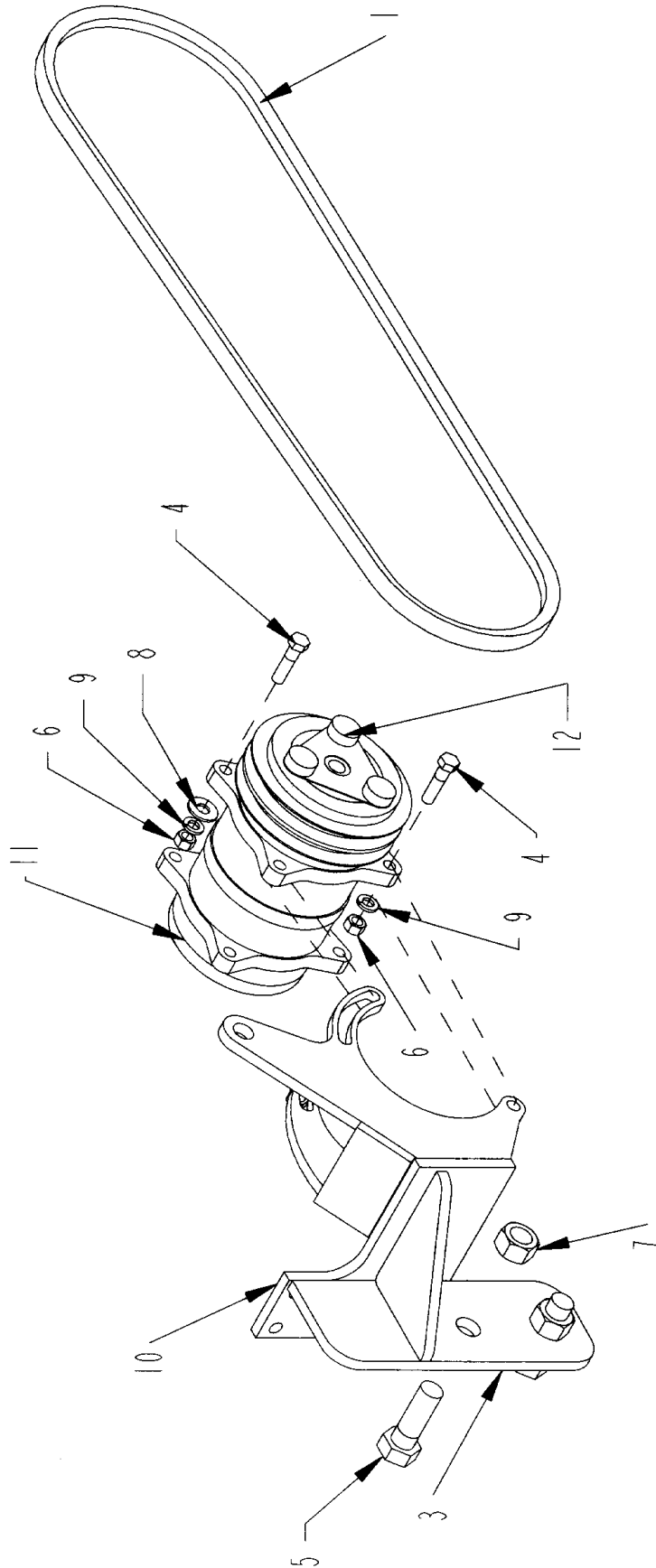
CAB LOADER PARTS (OPTION) - AIR CONDITIONER COMPRESSOR



CAB LOADER PARTS (OPTION) - AIR CONDITIONER COMPRESSOR

ITEM	PART	QTY.	PART DESCRIPTION
2	1600038	1	V-BELT\B\38
3	4703454	2	ROD\ADJ\A\C
4	4703840	1	BRKT\CMPRSSR\AIRCOND
5	4703841	4	SHIM\BRKT\CMPRSSR\A-C\075
6	4800003	4	BOLT\HEX\3/8X1
7	4800283	2	BOLT\HEX\3/4X2-1/4
8	4900076	6	NUT\FLG\SERR\3/8\NC
9	4900139	2	NUT\TPLCK\3/4\GR8\NC
10	5000001	4	WASH\FLAT\3/8
11	7500989	1	CMPRSSR\A\C\HOOD
12	7500990	1	CLUTCH\24\COMP\A\C\HOOD

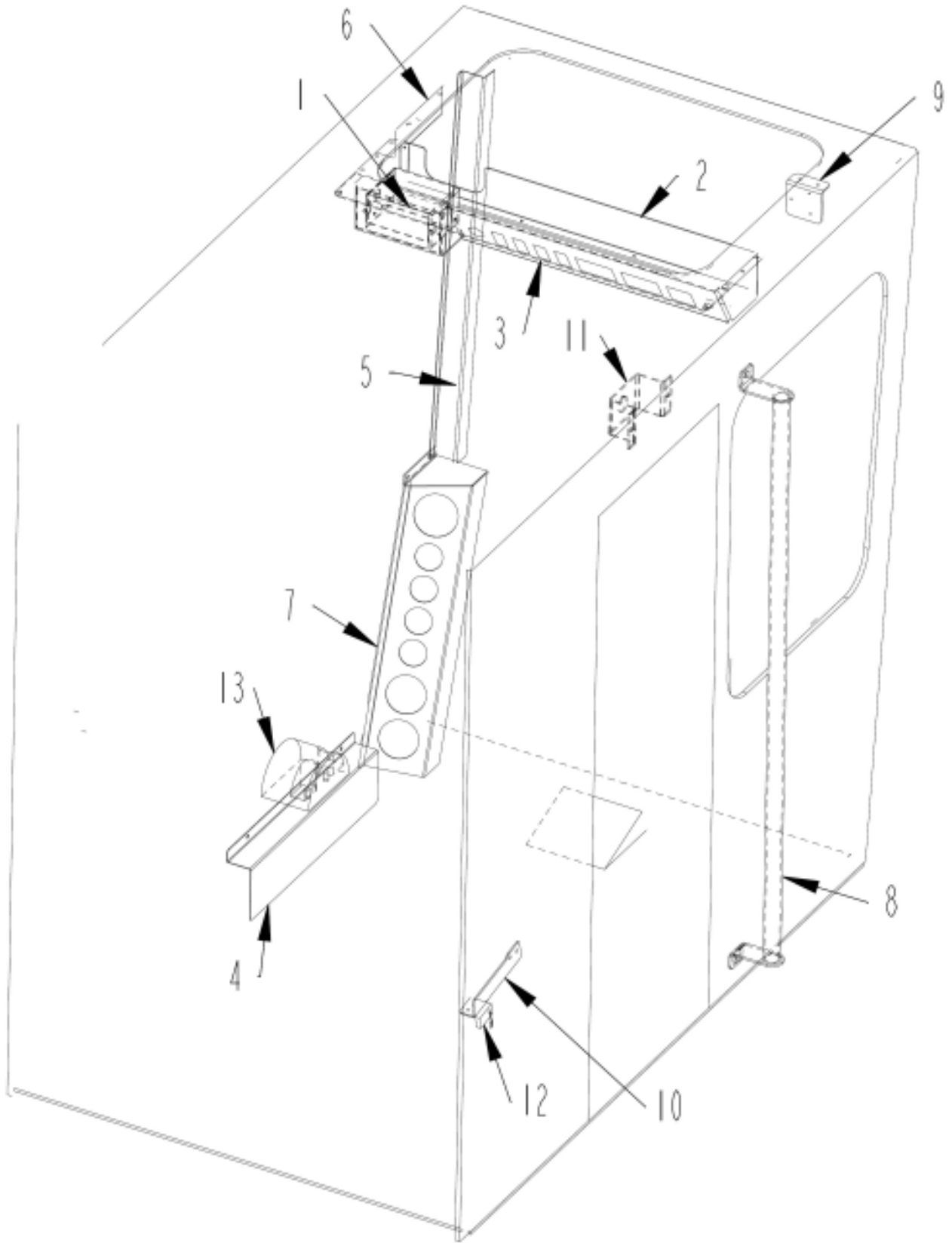
**CAB LOADER PARTS (OPTION) - AIR CONDITIONER
COMPRESSOR BRACKET ASSEMBLY**



**CAB LOADER PARTS (OPTION) - AIR CONDITIONER
COMPRESSOR BRACKET ASSEMBLY**

ITEM	PART	QTY.	PART DESCRIPTION
1	1600038	1	V-BELT\B\38
2	4704294	1	ASSY\BRKT\CMR\SSR\A\C\ZEXEL
3	4704295	1	BRKT\CMR\SSR\A\C
4	4800034	4	BOLT\HEX\3\8X1-1\2
5	4800283	2	BOLT\HEX\3\4X2-1\4
6	4900002	4	NUT\HEX\3\8\NC
7	4900139	2	NUT\T\PLCK\3\4\GR8\NC
8	5000001	2	WASH\FLAT\3\8
9	5000019	4	WASH\LOCK\3\8
10	7501198	1	BRKT\COMP\A\C\ZEXEL
11	7501214	1	COMP-ZEXEL
12	7501215	1	CLUTCH\MAGNETIC\24V

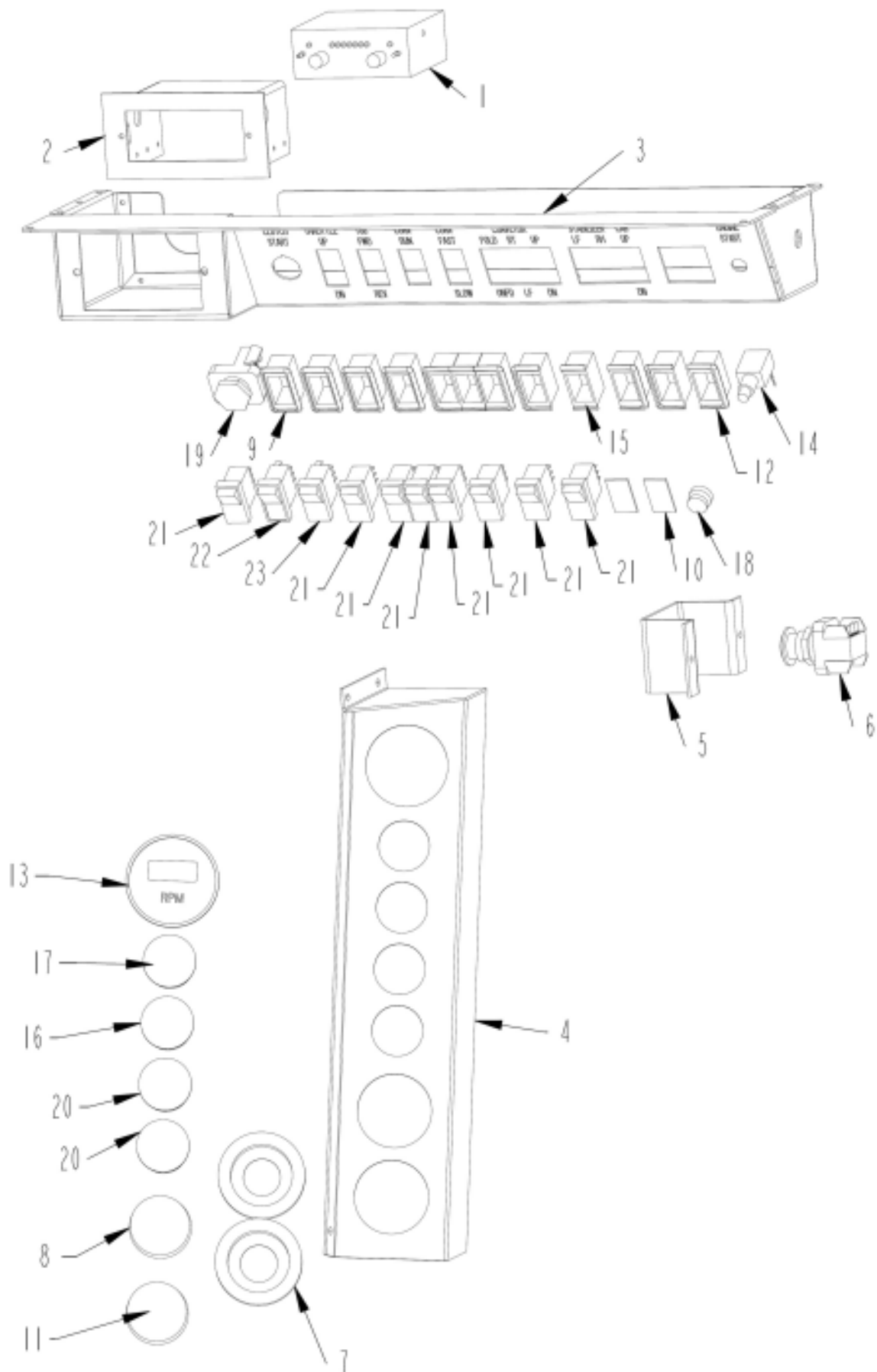
CAB LOADER PARTS (OPTION) - CAB



CAB LOADER PARTS (OPTION) - CAB

ITEM	PART	QTY.	PART DESCRIPTION
1	4501543	1	BRKT\GOV\1150
2	4703346	1	PNL\BACK\CAB
3	4703347	1	PNL\CAB\LDR
4	4703348	1	SHLD\WIRE\CAB\4012
5	4703349	1	SHLD\WIRE\CAB\4012
6	4703350	1	SHLD\WIRE\CAB\4012
7	4703374	1	BRKT\GAUGE\LDR;CAB\4012
8	4704042	1	BRKT\RAIL\HAND\CAB
9	4704055	1	BRKT\FAN\LDR\HOOD
10	4704427	1	BRKT\SW\SFTY\CAB\LOADER
11	4705040	1	BRCKT\E-STOP
12	5700493	1	SWITCH\LIMIT\B9111E1092
13	7501205	1	BUMPER\DOCK\HOOD

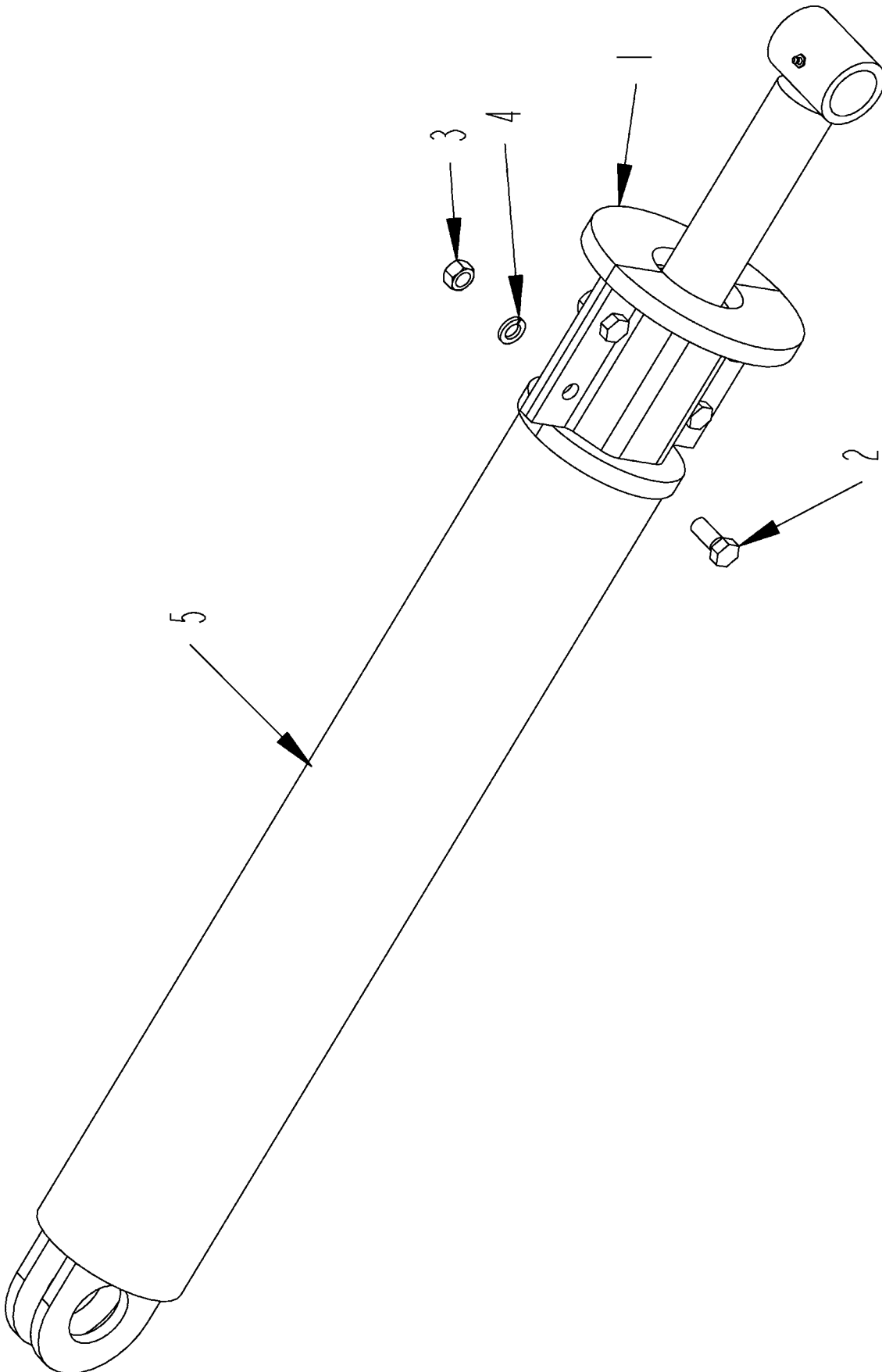
CAB SWITCHES AND GAUGES



CAB SWITCHES AND GAUGES

ITEM	PART	QTY.	PART DESCRIPTION
1	4300034	1	CONTROL BOX
2	4501543	1	BRKT\GOV\1150
3	4703347	1	PNL\CAB\LDR
4	4703374	1	BRKT\GAUGE\LDR;CAB\4012
5	4705040	1	BRCKT\E-STOP
6	5700028	1	SWITCH\MAINT\PB\RED\MUSH800T-FX6A1
7	5700202	2	LAMP\GRMMT\2-1/2KITW/PLUG
8	5700285	1	LAMP\RED\2-1/2\24V
9	5700328	4	SWITCH\RCKR\MNT\PNL\SNGL
10	5700329	2	SWITCH\RCKR\PLUG
11	5700331	1	LAMP\AMBER\2-1/2\24V
12	5700333	6	SWITCH\RCKR\MNT\PNL\MTPL
13	5700368	1	TACH\CAT
14	5700403	1	SWITCH\BUTTON\PUSH
15	5700448	2	SWITCH\RCKR\MNT\PNL\MDDL
16	5700499	1	GAUGE\PRESS\OIL\12V\550P
17	5700501	1	GAUGE\TEMP\ELEC\12V\230F
18	5700510	1	BOOT\DUST\PUSBUTTON
19	5700514	1	SWITCH\MOM\PB\GRN\1NO
20	5700519	2	GAUGE\TEMP\24V\BRG\300DEG
21	5700542	8	SWITCH\RCKR\DPDT\24V\UNLIT\15A\MOMNTRY
22	5700543	1	SWITCH\RCKR\DPDT\24V\2LIT\15A\LATCH
23	5700544	1	SWITCH\RCKR\DPDT\24V\1LIT\15A\LATCH&MOM

4012 GRAPPLE STOP



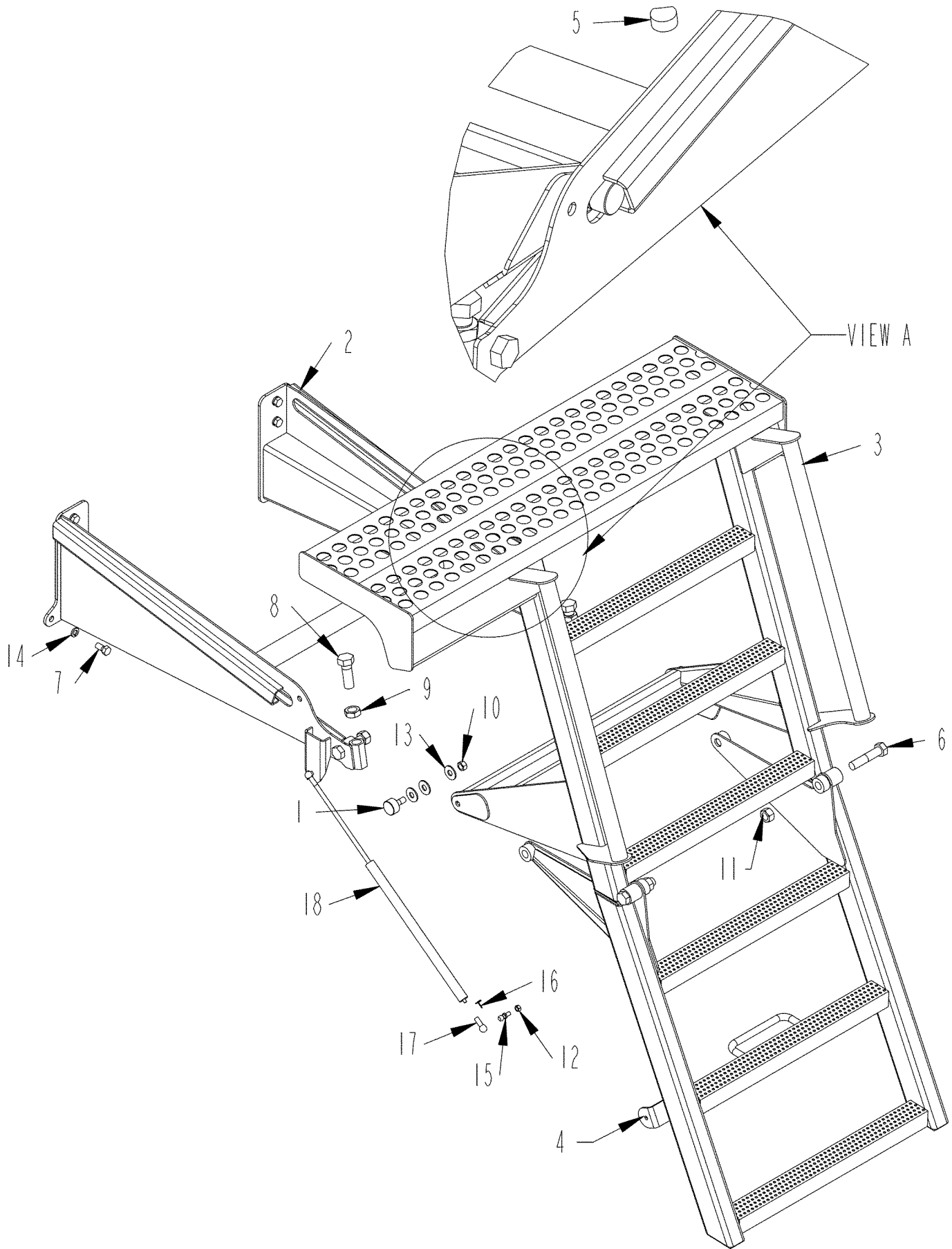
4012 GRAPPLE STOP

ITEM	PART	QTY.	PART DESCRIPTION
1	4703456	2	STOP\CYL\GRPPL4012
2	4800106	4	BOLT\HEX\5/8X1-1/2
3	4900005	4	NUT\HEX\5/8\NC
4	5000003	4	WASH\LOCK\5/8
5		1	CYLINDER SUPPLIED BY OTHERS

**CAB LOADER (OPTION) - LADDER ASSEMBLY
(FOR S.N. UP TO 40-2-FJ-137)**

ITEM	PART	QTY.	PART DESCRIPTION
1	4600228	2	RLLR\GUIDE\LDDR\CAB
2	4702534	1	PIN\LOCK\PNL\CNTRL
4	4703272	1	FRM\SUP\LDDR\CAB
5	4703273	1	LDDR\ASY\UPPR\CAB
6	4703274	1	LDDR\ASY\LWR\CAB
7	4703622	2	STPR\LDDR\SERVICE
8	4800011	4	BOLT\HEX\3/4X3-1/2
9	4800085	6	BOLT\HEX\1/2X1
10	4800456	1	PIN\RLLD\3/16X1-1/8
11	4900119	2	NUT\TPLCK\1/2\NF
12	4900139	4	NUT\TPLCK\3/4\GR8\NC
13	4900142	2	NUT\TPLCK\5/16\NC
14	5000004	7	WASH\FLAT\1/2
15	5000006	6	WASH\LOCK\1/2
16	6100050	1	SPG\COMP\.775OD\ .08WD
17	7500345	2	BALL STUD
18	7500346	2	SAFETY CLIP
19	7500583	2	END FITTING\GAS SPRING
20	7500705	1	SPRNG\GAS\250LB\9416K224

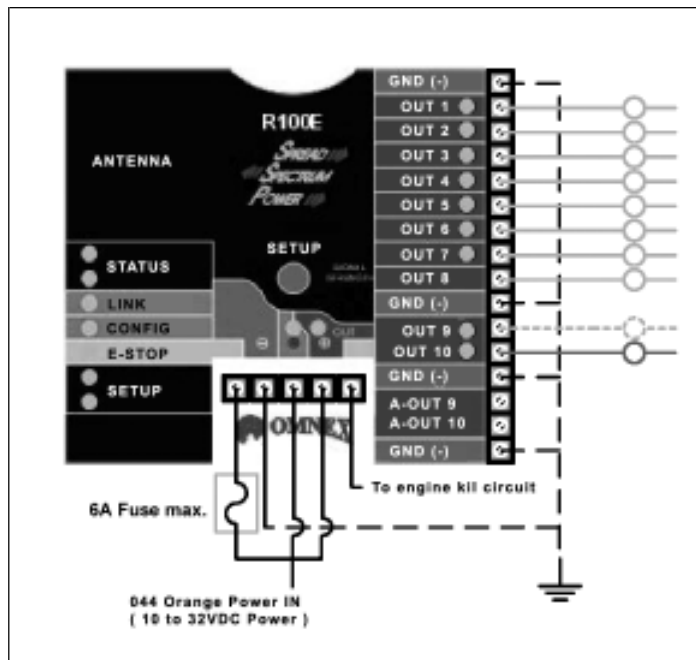
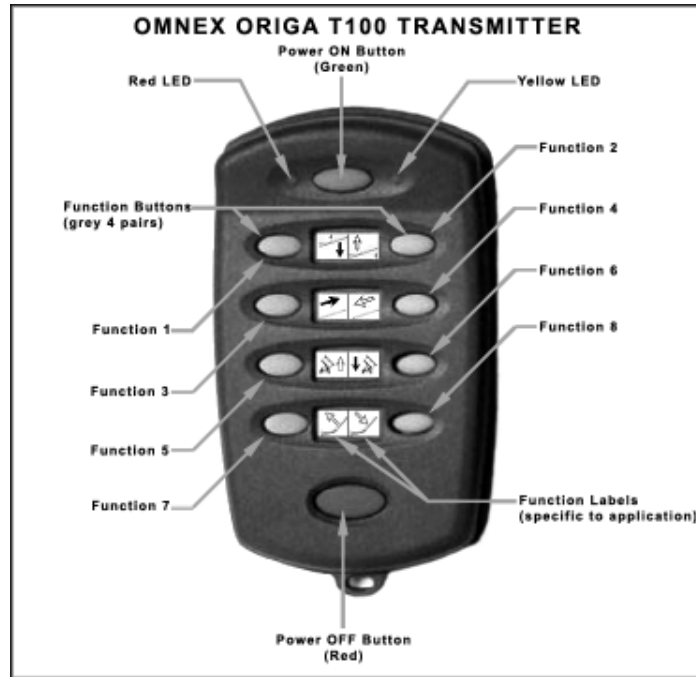
**CAB LOADER (OPTION) - LADDER ASSEMBLY
(FOR S.N. 40-2-FJ-138 & UP)**



**CAB LOADER (OPTION) - LADDER ASSEMBLY
(FOR S.N. 40-2-FJ-138 & UP)**

ITEM	PART	QTY.	PART DESCRIPTION
	4703271	1	LDDR\ASY\CAB\4012
1	4600228	2	RLLR\GUIDE\LDDR\CAB
2	4703272	1	FRM\SUP\LDDR\CAB
3	4703273	1	LDDR\ASY\UPPR\CAB
4	4703274	1	LDDR\ASY\LWR\CAB
5	4703622	2	STPR\LDDR\SERVICE
6	4800011	4	BOLT\HEX\3/4X3-1/2
7	4800085	6	BOLT\HEX\1/2X1
8	4800470	2	BOLT\HEX\7/8X2-1/2\NC
9	4900103	2	NUT\JAM\7/8\NC
10	4900119	2	NUT\TPLCK\1/2\NF
11	4900139	4	NUT\TPLCK\3/4\GR8\NC
12	4900142	2	NUT\TPLCK\5/16\NC
13	5000004	6	WASH\FLAT\1/2
14	5000006	6	WASH\LOCK\1/2
15	7500345	2	BALL STUD
16	7500346	2	SAFETY CLIP
17	7500583	2	END FITTING\GAS SPRING
18	7500705	1	SPRNG\GAS\250LB\9416K224

OMNEX RADIO REMOTE CONTROL



OMNEX RADIO REMOTE CONTROL

PART	QTY.	PART DESCRIPTION
5700444		RADIO\REMOTE\OMNEX\900MHZ\package
5700549		RADIO\REMOTE\ANTENNA\900MHZ
5700620		RADIO\REMOTE\OMNEX\900TX replacement transmitter
5700553		RADIO\REMOTE\OMNEX\915MHZ package
5700549		RADIO\REMOTE\ANTENNA\900MHZ
5700554		RADIO\REMOTE\OMNEX\2.4GHZ\package

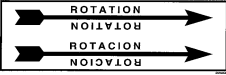
DECALS



6500043



6500216



6500056



6500118



6500220



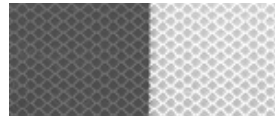
6500315

DIESEL FUEL

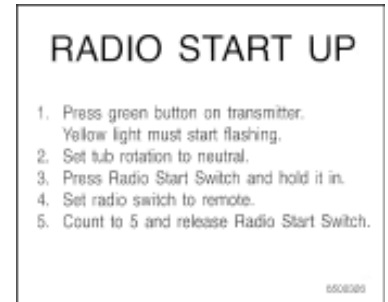
6500123



650244, 6500342



6500245



6500326

HYDRAULIC OIL

6500124



6500132



6500253



6500300



6500339



6500209

MODEL 4012

6500328



6500371



6500346



650497



6500212



6500372



6500214



6500373



6500215



650425

DECALS

PART	QTY.	PART DESCRIPTION
6500327		DECALKIT4012
6500043	1	DECAL\WARN\NO;RIDERS
6500056	2	DECAL\INFO\ROTATION\STR
6500118	2	DECAL\DNGR\OBJECTS;THROWN
6500123	1	DECAL\INFO\DIESEL;FUEL
6500124	1	DECAL\INFO\HYD;OIL
6500132	1	DECAL\INFO\ENG;SERV
6500208	1	DECAL\WARN\GENERAL
6500209	1	DECAL\WARN\THROWN;OBJCT;>HAZRD
6500212	1	DECAL\WARN\ROTATING;PRT;>HAZARD
6500214	1	DECAL\WARN\OVRHED;CNVYR;>HAZARD
6500215	2	DECAL\WARN\FOLDNG;CNVYR;>HAZARD
6500216	1	DECAL\WARN\ELEC;HAZARD
6500220	2	DECAL\WARN\HI;PRESS;FLUID
6500244	2	DECAL\LOGO\DURA\9\SLVR
6500245	25 ft	DECAL\TAPE\REFL\RED\WHT
6500253	1	DECAL\INFO\FLUID;LEVEL\INDICATOR\
6500300	30 ft	DECAL\LOGO\5.8\STRIPE\SLV
6500315	1	DECAL\INFO\CLEAN;ENG;COMP
6500326	option	DECAL\INFO\OMNEX;START
6500328	1	DECAL\LOGO\4012\MODE
6500339	2	DECAL\WARN\PINCH;POINT
6500342	2	DECAL\LOGO\DURATECH\4.5"
6500344	6	DECAL\LOGO\SWIRL\4012
6500346	3	DECAL\LOGO\SWIRL\ROUND\4012\FAN
6500371	1	DECAL\WARN\tANK\FUEL
6500372	1	DECAL\WARN\tANK\HYD
6500373	1	DECAL\INFO\BATT;DISC
6500425	1	DECAL\WARN\FIRE\PREVENT
6500497	1	DECAL\INFO\FIRE\EXTINGUISHER

4012 WEAR PARTS

DESCRIPTION	PART NUMBER	WHERE TO FIND
SPKT\60\B\18\1-1/4\5/16KW	1000054	PG 73, 107
SPKT\60\B\18\1-1/2\3/8KW	1000081	PG 73, 107
CHAIN\60DBL\17	1100066	PG 73, 107
BRG\CYL\1-1/2\W-ECC	2000573	PG 51
BRG\FLG\1-1/2\BOLT	2000303	PG 67, 103
BRG\TUU\1-1/2\W-ECC\BSEAL	2000320	PG 69, 71, 105
MTR\HYD\24\2000\SAEA	3900010	PG 163, 165, 185, 239
HYDRAULIC CYLINDER	4100230	PG 297, 299
SEAL KIT	4100231	PG 187
SNSR\MAGW\HDW	4300009	PG 125,127
CNTRL BOX\NEW STYLE\RCB93	4300034	PG 115, 331
CLUTCH (PTO) OIL ELEMENT	4400073	PG 248
HYDRAULIC OIL ELEMENT	4400074	PG 239, 255
BRG\PB\RLLR\TUB\ASSY\	4702007	PG 51
WEAR PLATE	4702600	PG 29
HAMMER TIP BOLT	4800563	PG 57, 61, 91
WEAR PLATE BOLT	4800649	PG 29
HAMMER TIP NUT	4900148	PG 57, 61, 91
WEAR PLATE NUT	4900160	PG 29, 239
WEAR PLATE WASHER	5000115	PG 29, 37, 135, 287
1 HOLE HAMMER TIP	5200132	PG 61
HAMMER (SHANK)	5200222	PG 61
HAMMER ROD	5300114	PG 57
SCREENS	VARIOUS	PG 57
650 HP CAT 3412E		
Engine Oil Element	4400029	PG 129, 131
Engine primary fuel/water separator	4400082	PG 129
Secondary fuel filter	4400030	PG 129, 131
Air primary element	4400084	PG 129, 131
Air secondary element	4400085	PG 129, 131
860 HP CAT 3412E		
Engine Oil Element	4400029	PG 129, 131
Engine primary fuel/water separator	4400094	PG 129
Secondary fuel filter	4400030	PG 129, 131
Air primary element	4400084	PG 129, 131
Air secondary element	4400085	PG 129, 131
950 HP CAT		
Engine Oil Element	4400117	PG 132
Engine primary fuel/water separator	4400133	PG 132
Secondary fuel filter	4400125	PG 132
Air primary element	4400122	PG 132
Air secondary element	4400123	PG 132

4012 LUBRICATION INFORMATION

LUBRICANT CHART	<u>See Also pages 52-64 of the Operating Instructions Manual</u>
Rotor Bearings	Mobil SCH-626 oil or similar, but NEVER use detergent motor oil
Hydraulic System	DuraTech Industries recommends using Conoco Hydroclear Power Tran Fluid if your machine has a Hydroclear decal on the tank. Other acceptable fluids include Mobil 423, Farmland Super HTB, or other similar fluids. If the hydraulic tank does not have this decal, then all the above fluids are acceptable.
Wet Clutch System	MOBIL 424 (Recommended by PT TECH) SHELL DONTAX TD CATERPILLAR TDTO SAE 30 DO NOT USE ANY OTHER OILS, OR CLUTCH LIFE WILL BE SHORTENED.
Wheel Bearings	SAE 80W-90 HYPOID GEAR OIL
Roller Chains	Use a graphite lubricant
Brake Component	For camshaft roller journals: Lubricate with high temperature anti-seize grease. For anchor pins: lubricate with high temperature anti-seize grease. For manual slack adjusters: Lubricate with NLGI Grade 2. For automatic slack adjusters: Lubricate with ASA manufacturer's recommended lubricate.

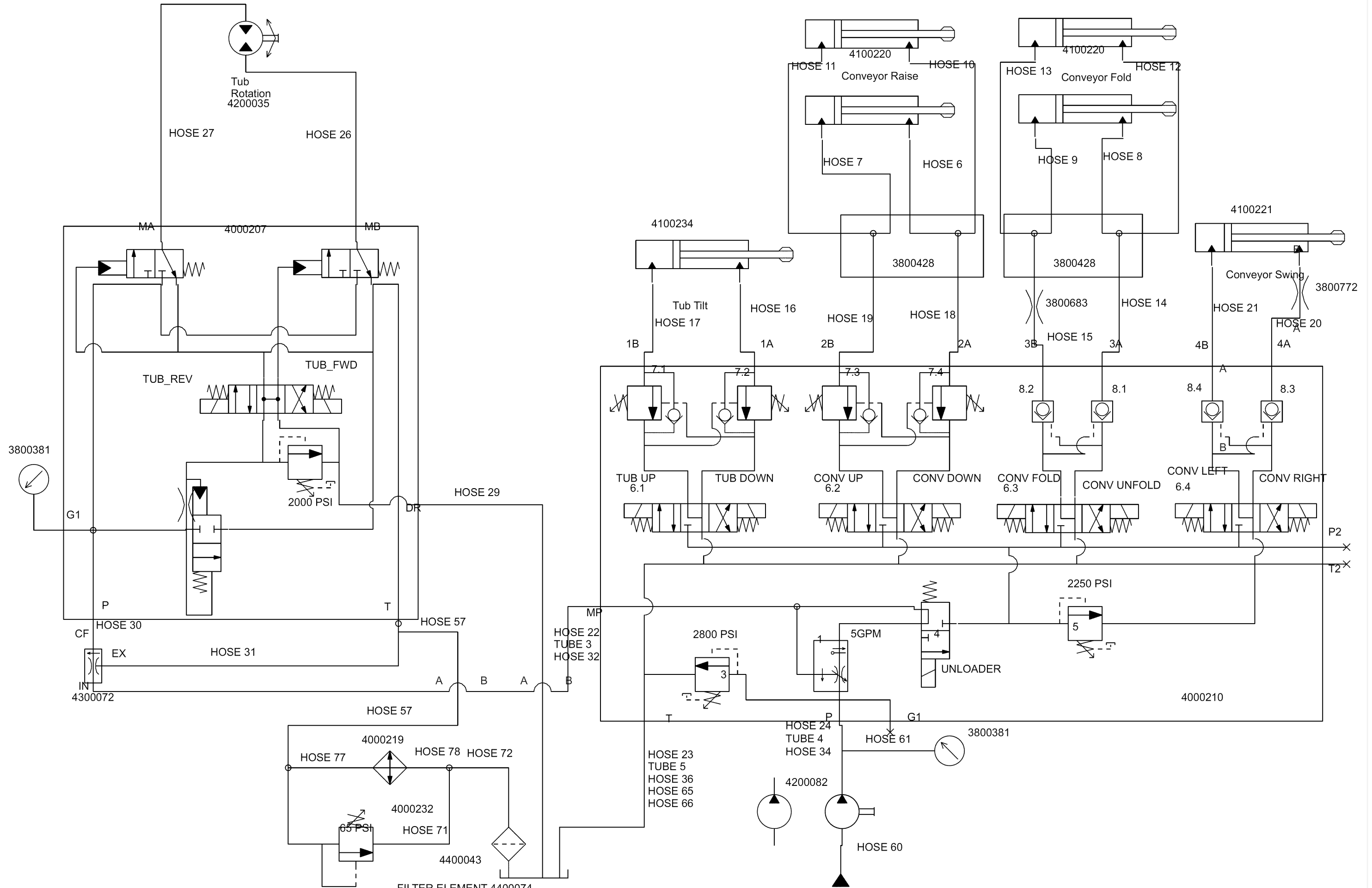




APPENDIX A SCHEMATIC FOLDOUTS



TUB HYDRAULIC CIRCUIT

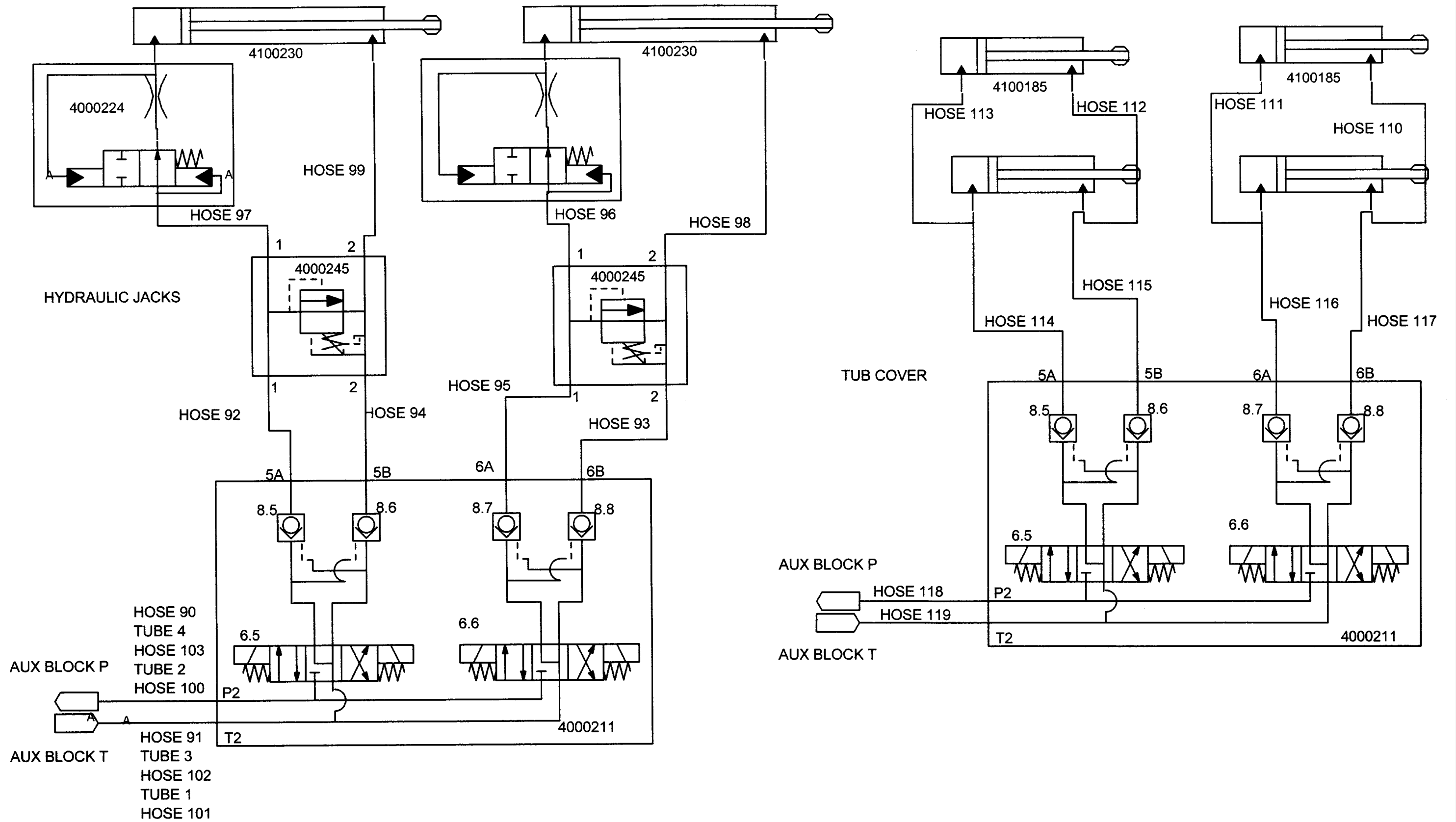


4012 TUB GRINDER

PARTS REFERENCE

FO-1

TUB COVER AND HYDRAULIC JACK HYDRAULIC CIRCUITS

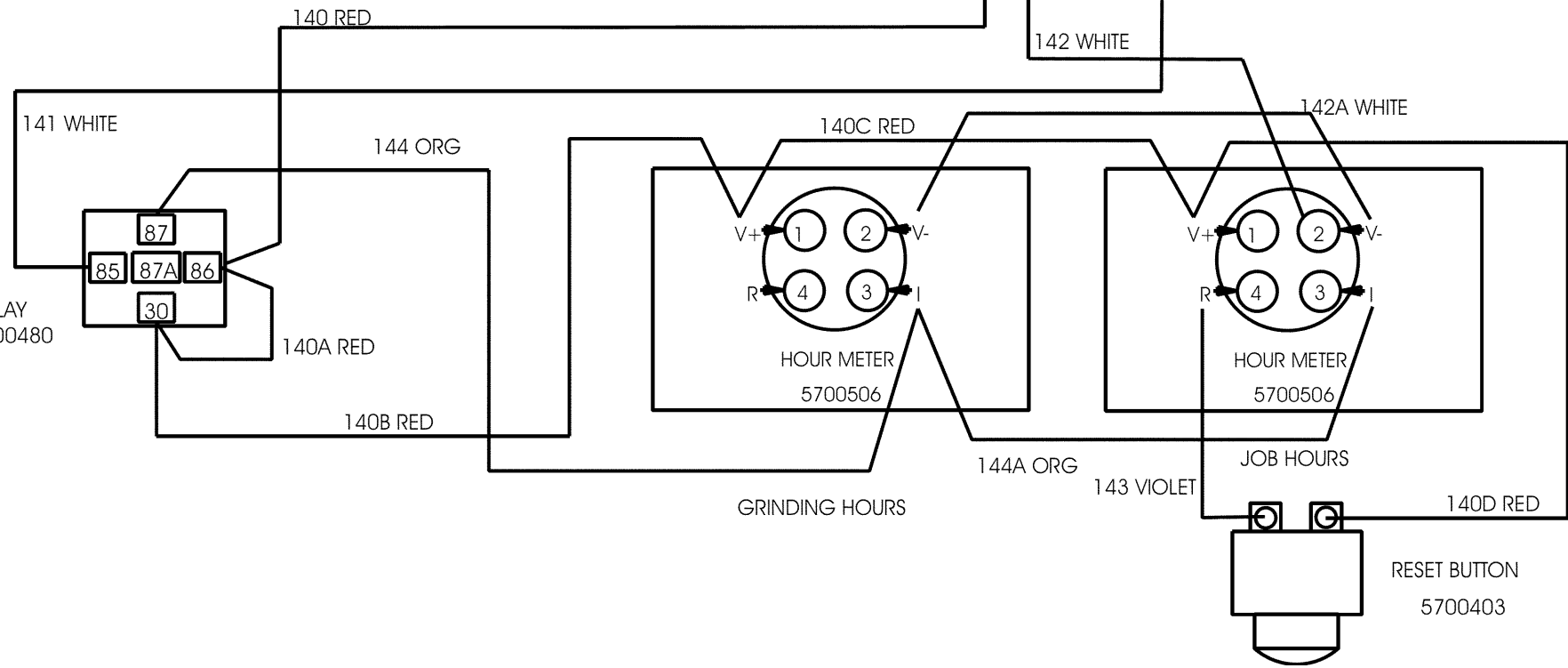
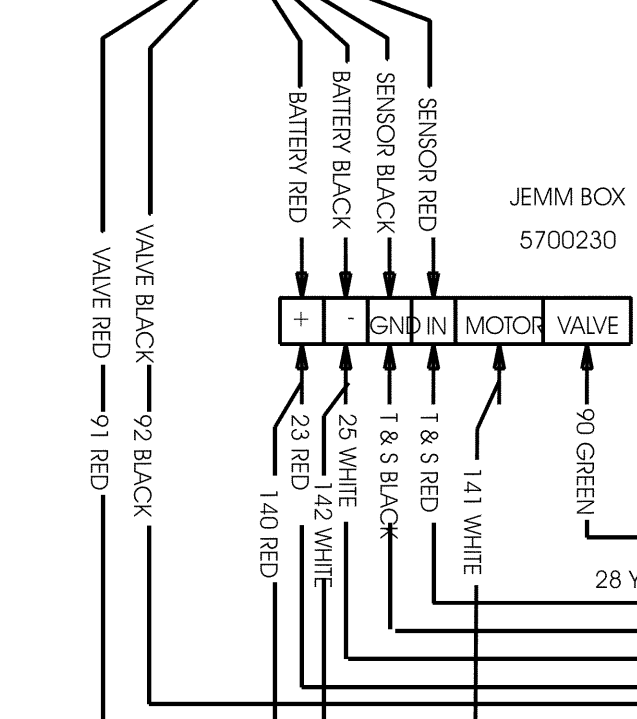
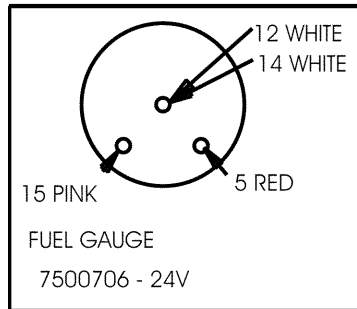
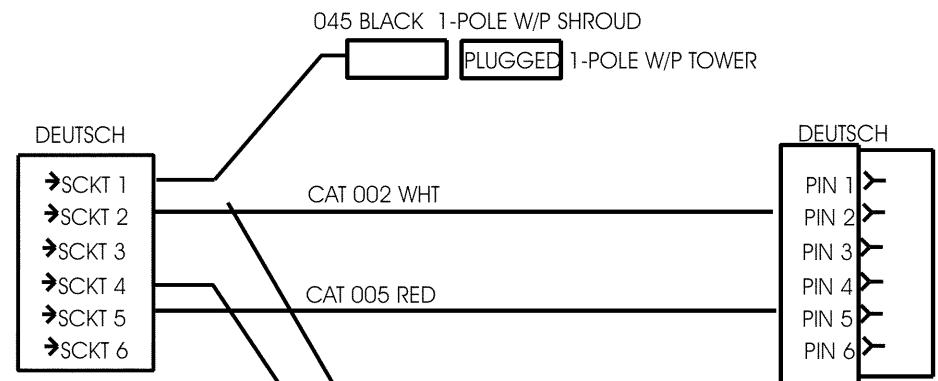
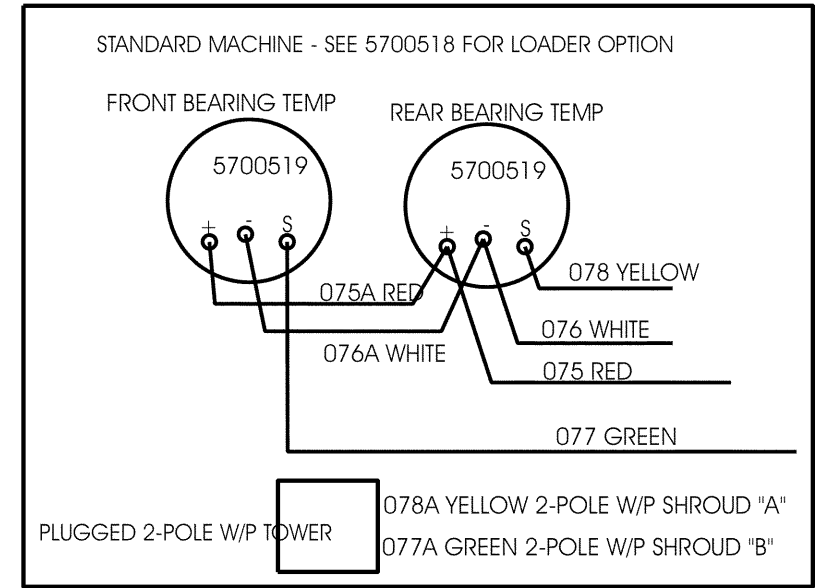
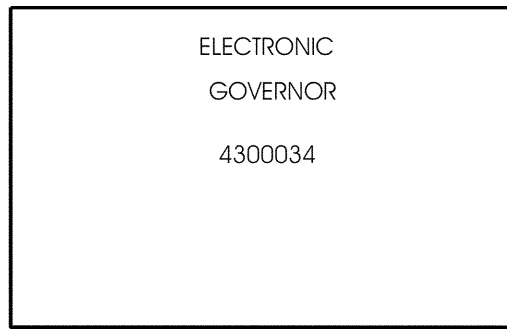


MAIN WIRING HARNESS - CONTROL PANEL (5700516)

5700516

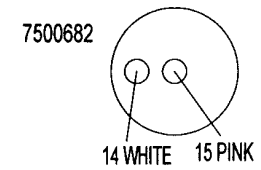
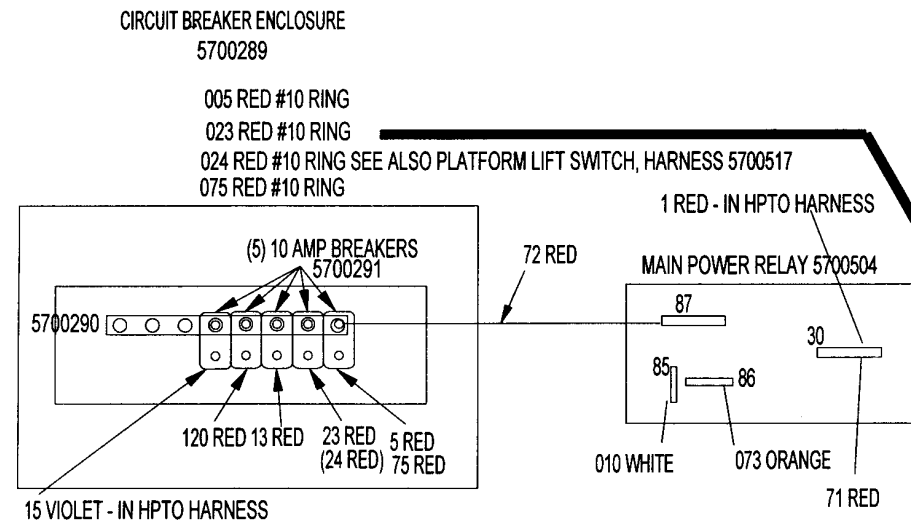
CONTROL PANEL

4012 2002 MAIN CONTROL WIRING HARNESS



FUEL GAUGE SENSOR
4012 2002 MAIN CONTROL WIRING HARNESS

5700516
MACHINE PORTION



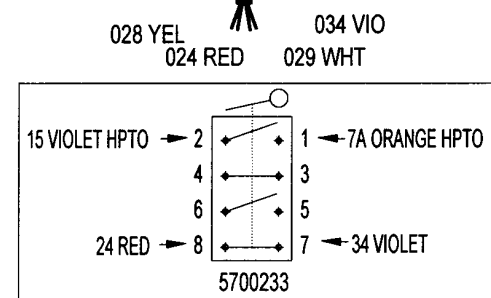
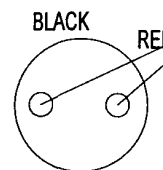
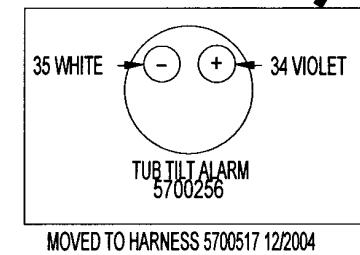
GROUND BUSS

- 010 WHT #10 RING
- 012 WHT #10 RING
- 025 WHT #10 RING
- 035 WHT #10 RING
- 076 WHITE #10 RING
- 097 WHITE #10 RING
- 098 WHITE #10 RING

1 PAIR TWSTED AND SHIELDED WIRES, NOT USED

160 NO CONNECTION
161 NO CONNECTION

TO CONTROL PANEL



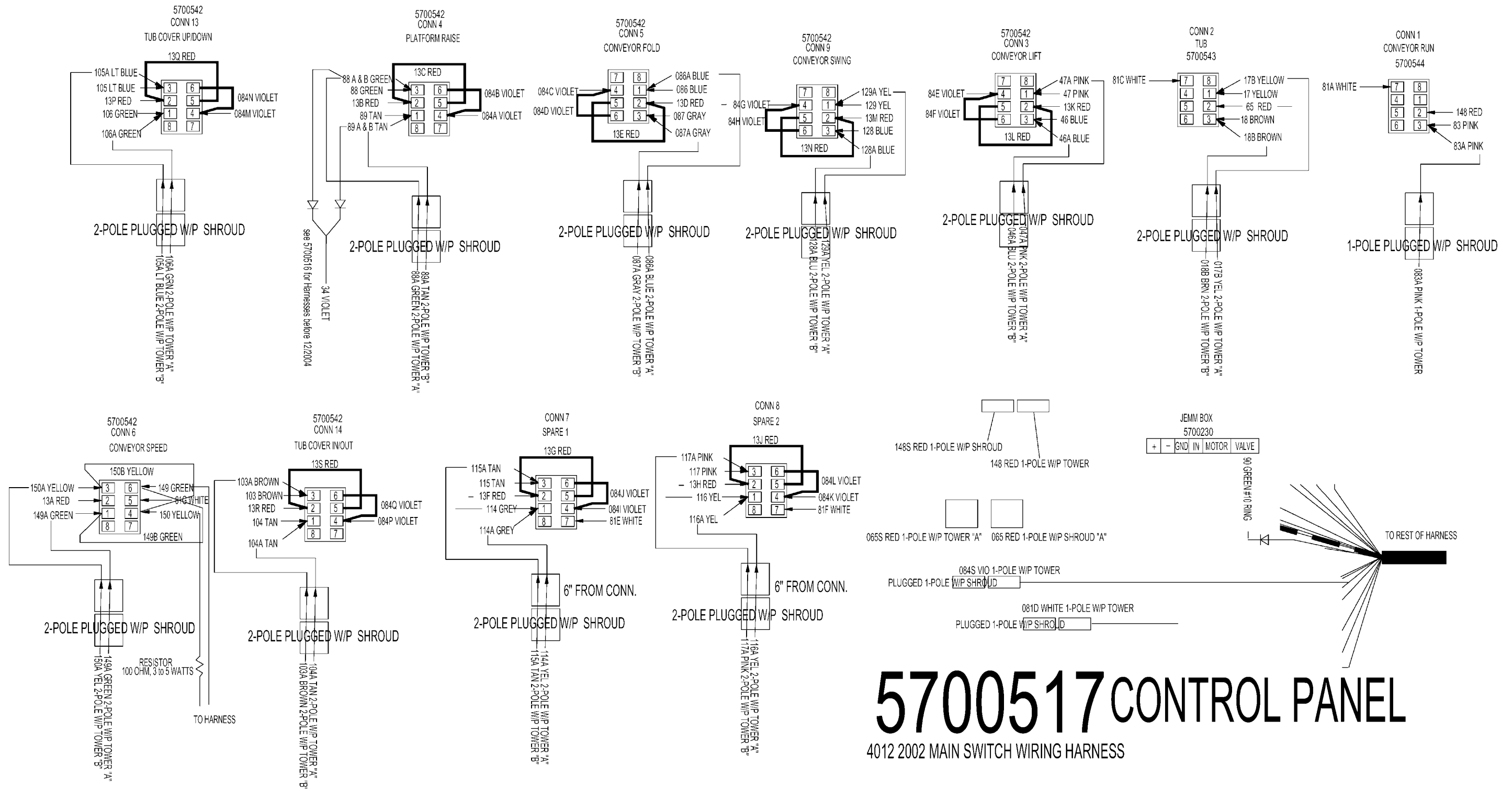
FRONT BEARING TEMP

077 GREEN 077A GREEN - NOT USED	STANDARD MACHINE 5700437 300DEG SINGLE GAUGE
077 GREEN TO PANEL GAUGE	LOADER OPTION VERSION 1 5700437 300DEG SINGLE GAUGE
077A GREEN TO LOADER GAUGE	5700437 300DEG SINGLE GAUGE USES (1) "NAIL HEAD" FOR 1/4" PUSH ON
SIGNAL 077 GREEN 077A GREEN or 097 WHITE GROUND CONNECTION	LOADER OPTION VERSION 2 5700520 300 DEG DUAL GAUGE SENDER 5700520 IS OBSOLETE USES (2) 1/4" MALE SPADES
077 GREEN 077A GREEN or 097 WHITE	LOADER OPTION VERSION 3 5700781 240 DEG DUAL GAUGE FRAME GROUND OR TAPED OFF USES (1) #10 STUD

REAR BEARING TEMP

078 YELLOW 078A YELLOW - NOT USED	STANDARD MACHINE 5700437 300DEG SINGLE GAUGE
078 YELLOW TO PANEL GAUGE	LOADER OPTION VERSION 1 5700437 300DEG SINGLE GAUGE
078A YELLOW TO LOADER GAUGE	5700437 300DEG SINGLE GAUGE USES (1) "NAIL HEAD" FOR 1/4" PUSH ON
SIGNAL 078 YELLOW 078A YELLOW or 098 WHITE GROUND CONNECTION	LOADER OPTION VERSION 2 5700520 300 DEG DUAL GAUGE SENDER 5700520 IS OBSOLETE USES (2) 1/4" MALE SPADES
078 YELLOW 078A YELLOW or 098 WHITE	LOADER OPTION VERSION 3 5700781 240 DEG DUAL GAUGE FRAME GROUND OR TAPED OFF USES (1) #10 STUD

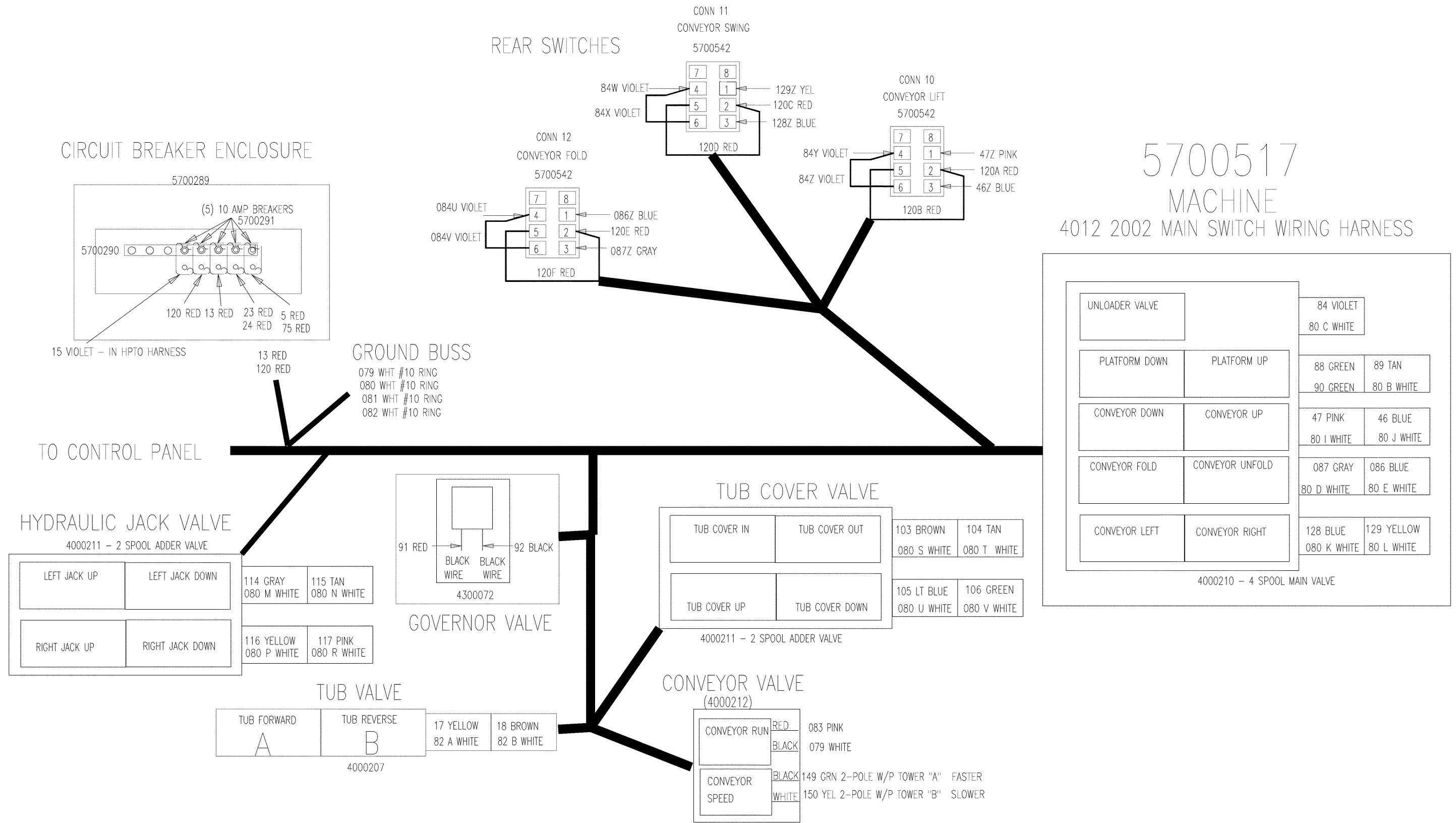
MAIN SWITCH WIRING HARNESS - CONTROL PANEL (5700517)

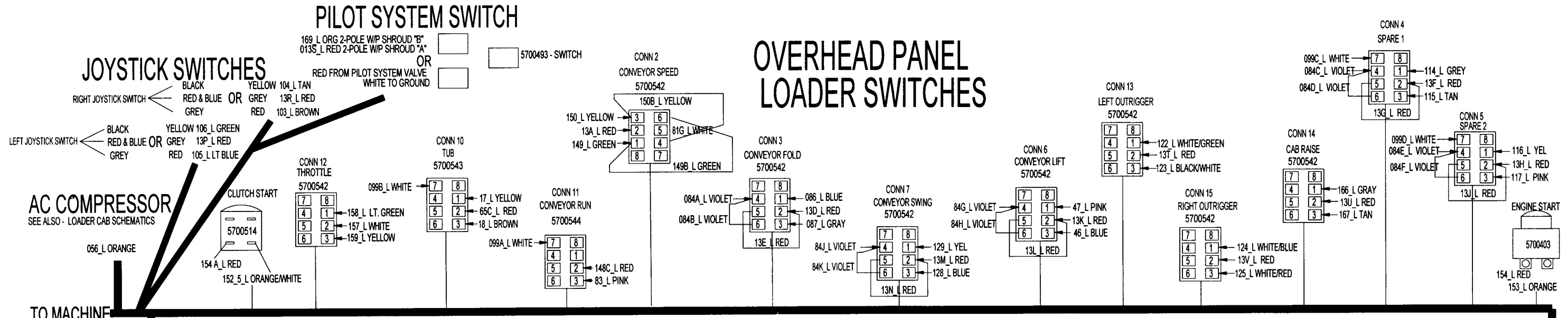


5700517 CONTROL PANEL

4012 2002 MAIN SWITCH WIRING HARNESS

5700517
MACHINE
4012 2002 MAIN SWITCH WIRING HARNESS

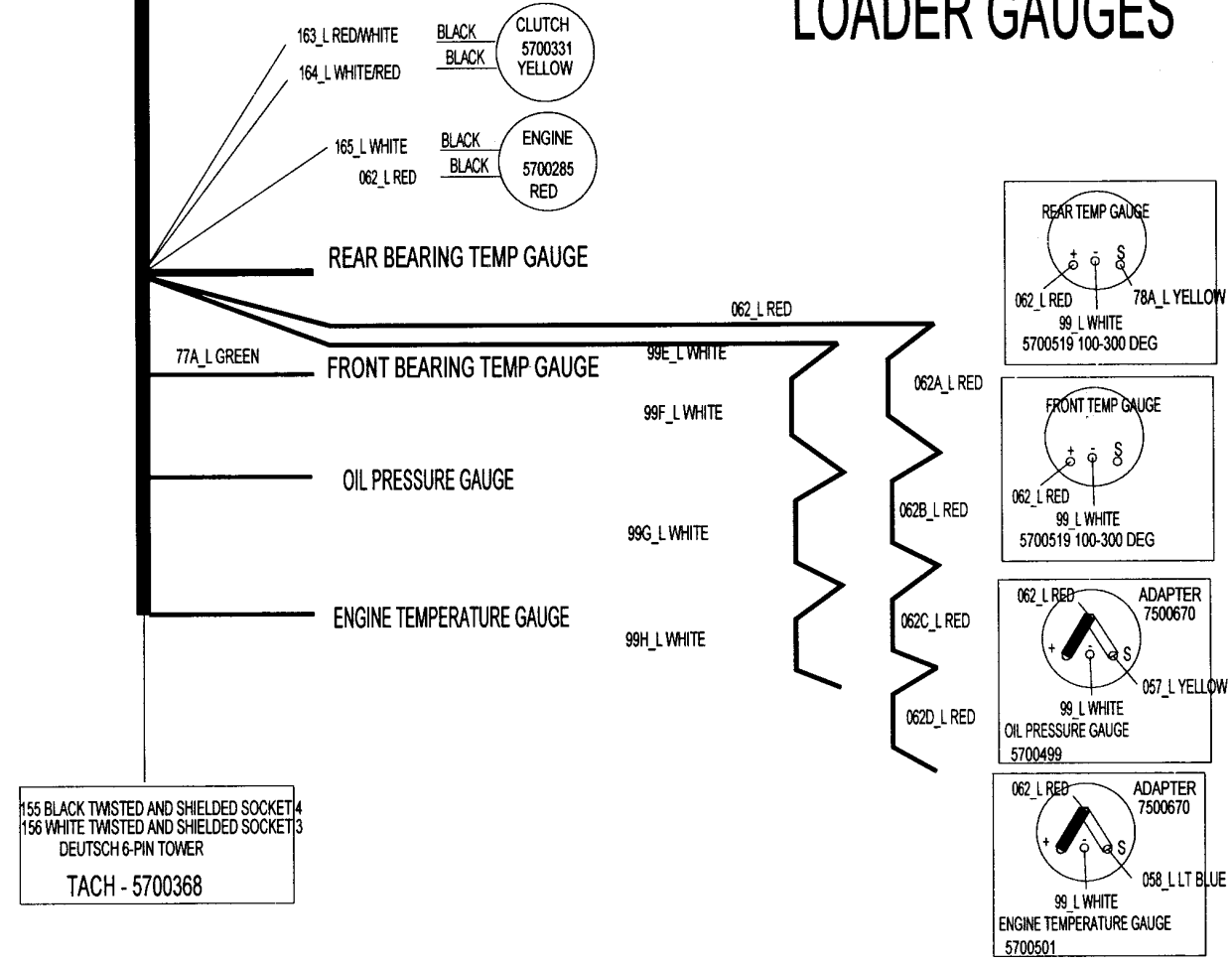




LOADER GAUGES

5700518 4012 LOADER CAB

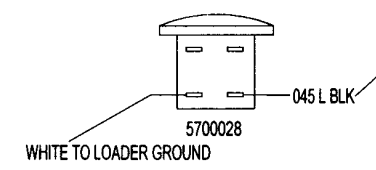
HOOD CAB CONTROLS



SEE ALSO - LOADER CAB SCHEMATICS
 019_L RED *** 6"
 SPLICE WITH 10 GAUGE RED WIRE IN LOADER WIRING
 020_L WHITE, #10 RING 6"
 CONNECT TO FRAME GROUND IN LOADER
 Note - 019_L AND 020_L WERE 14 GAUGE ON SOME MACHINES.
 SPARE WIRES 114 AND 115 WERE USED FOR ADDITIONAL POWER SUPPLY TO THE CAB
 SPARE WIRES 116 AND 117 WERE USED FOR ADDITIONAL GROUND WIRES

NOTE: _L IS USED TO IDENTIFY THE WIRES AS PART OF THE LOADER HARNESS

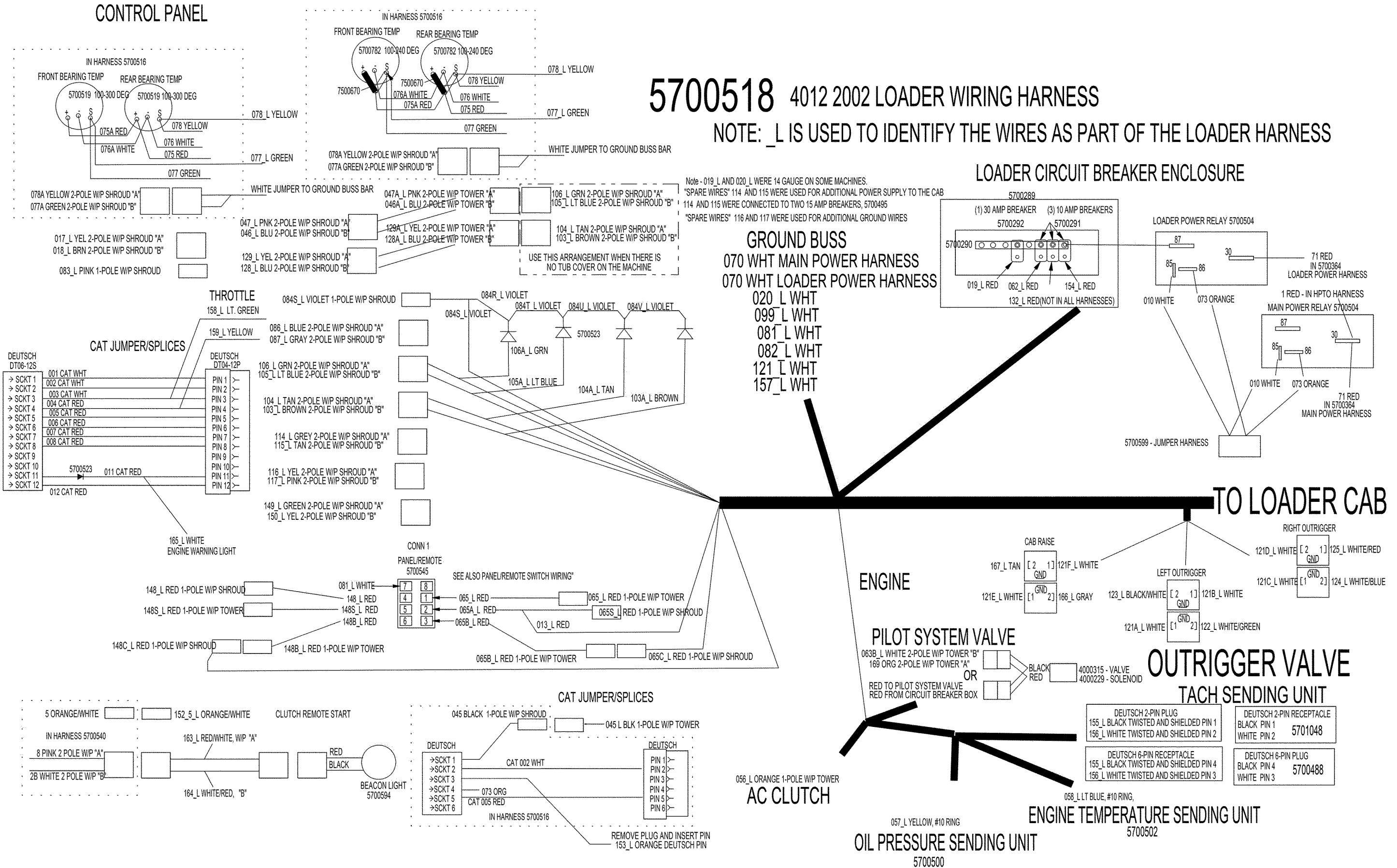
ENGINE KILL

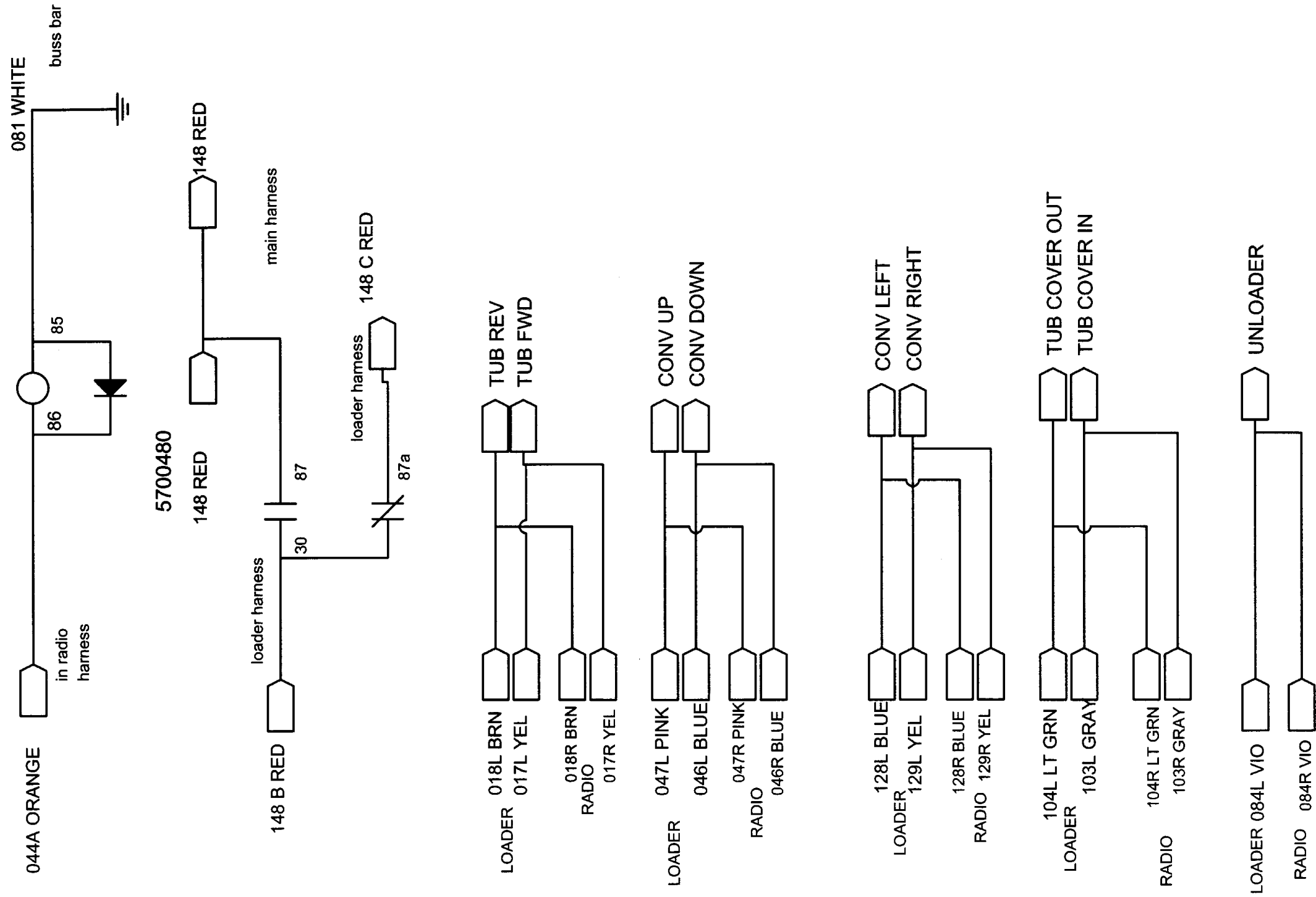


155 BLACK TWISTED AND SHIELDED SOCKET 4
 156 WHITE TWISTED AND SHIELDED SOCKET 3
 DEUTSCH 6-PIN TOWER
 TACH - 5700368

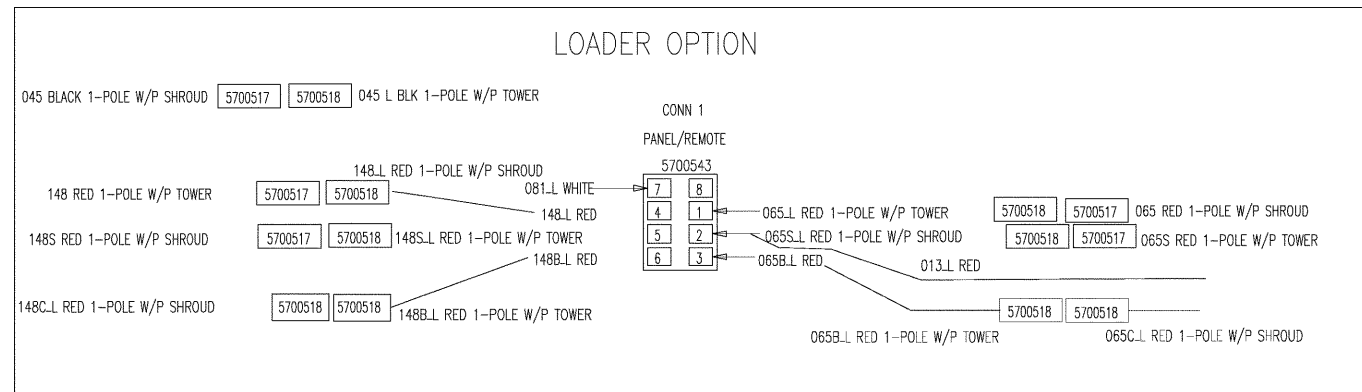
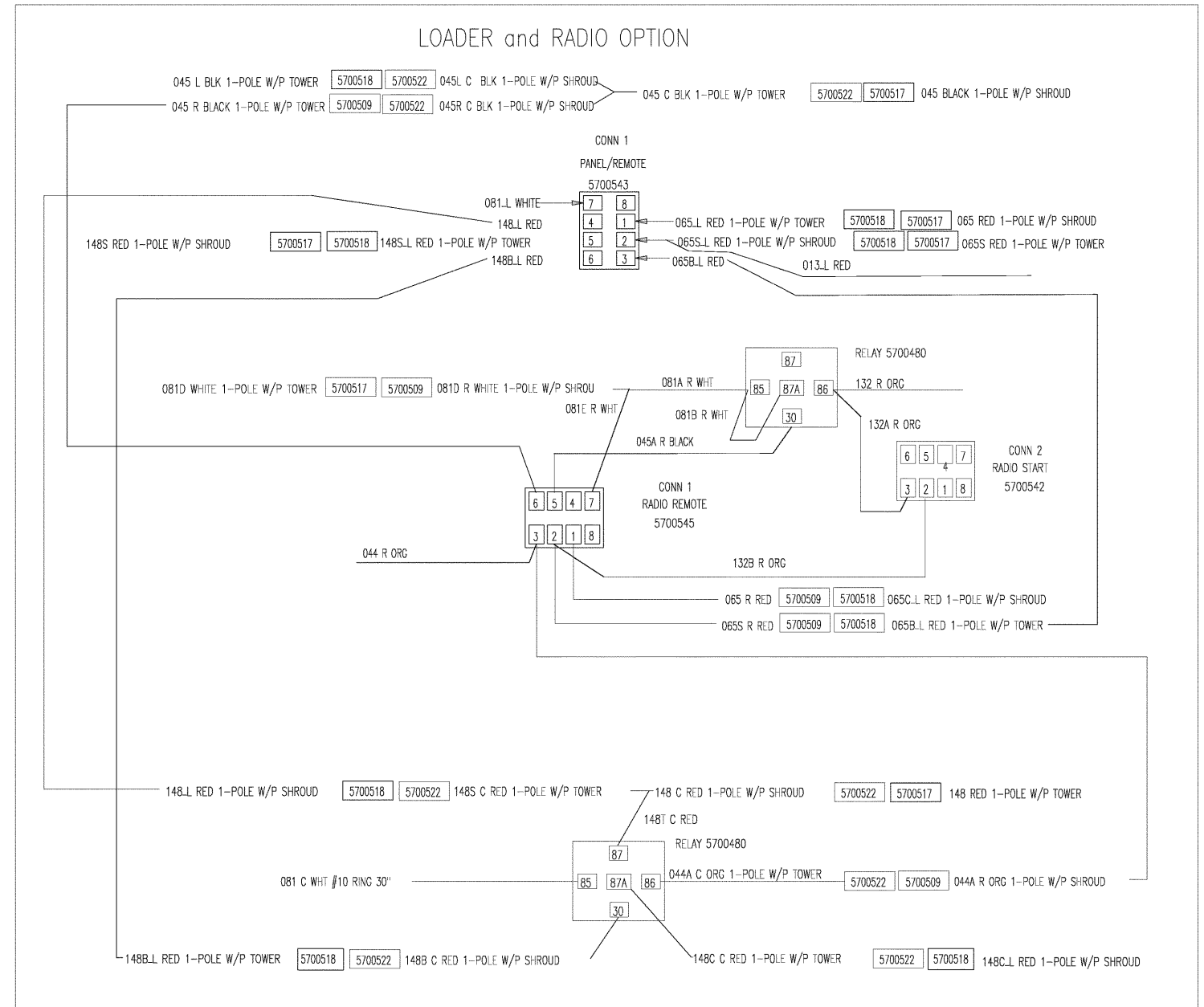
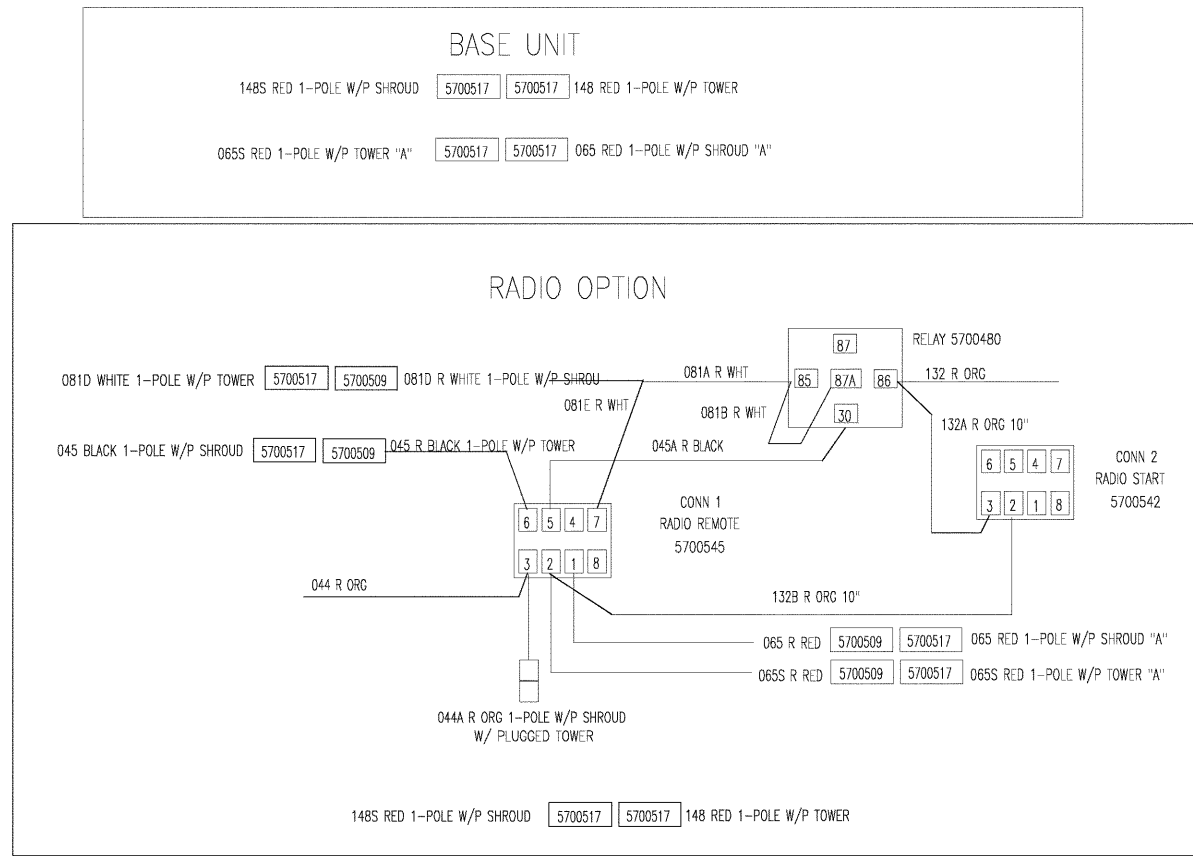
5700518 4012 2002 LOADER WIRING HARNESS

NOTE: L IS USED TO IDENTIFY THE WIRES AS PART OF THE LOADER HARNESS





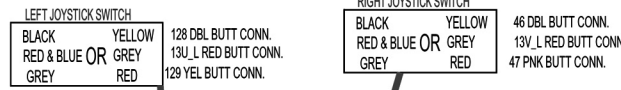
WIRING COMBINATIONS FOR RADIO AND LOADER OPTIONS



5700509 - R - RADIO HARNESS 5700517 - MAIN SWITCH HARNESS 5700518 - L - LOADER HARNESS 5700522 - C - COMBINATION HARNESS

5700509 - R - RADIO HARNESS 5700517 - MAIN SWITCH HARNESS 5700518 - L - LOADER HARNESS 5700522 - C - COMBINATION HARNESS

JOYSTICK SWITCHES



4012 LOADER WIRING HARNESS panel

5700698

MODIFICATIONS

5/28/2008 REV 0
6/11/2008 Rev A
8/21/2008 Rev B
04/10/2009 Rev C
08/17/2011 REV F
01/04/2013 REV H

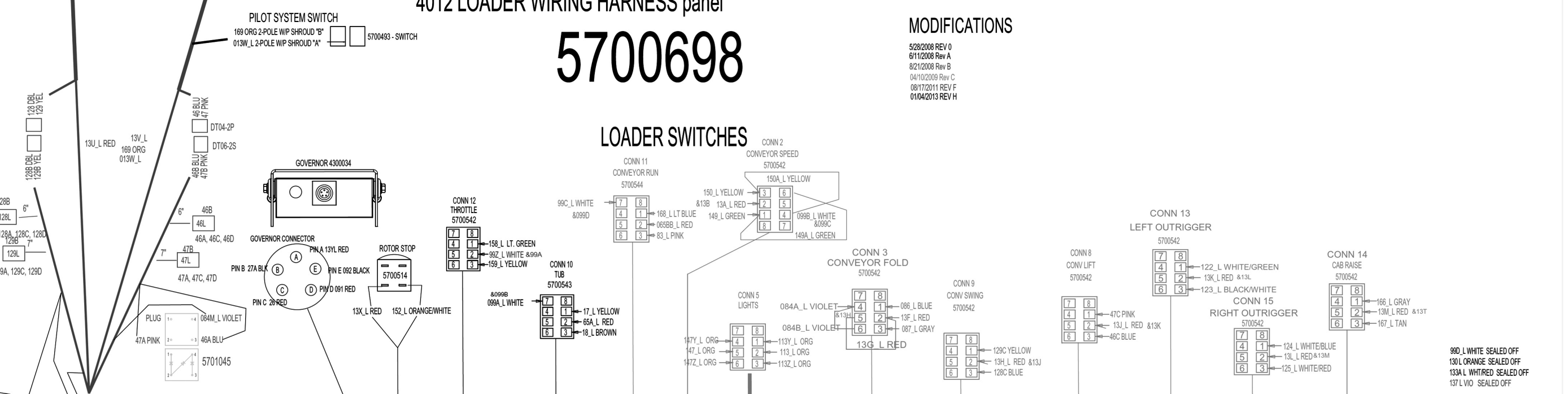
LOADER SWITCHES

31 PIN CONNECTOR

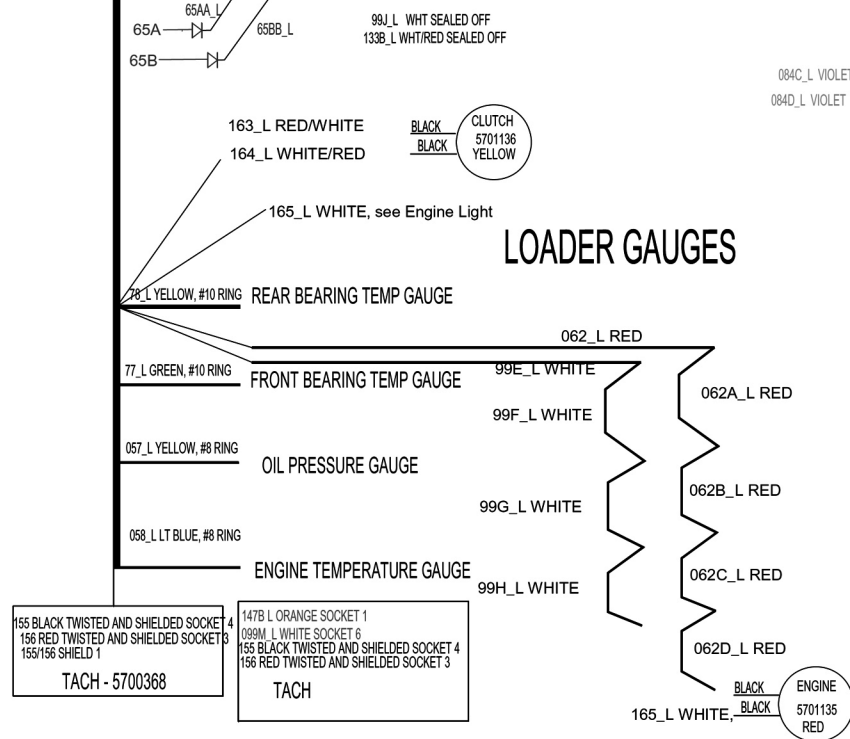
- PIN 1 158 L GREEN
- PIN 2 159 L YEL
- PIN 3 165 L WHT
- PIN 4 45 black
- PIN 5 013 L RED
- PIN 6 017 L YEL
- PIN 7 018 L BRN
- PIN 8 065 L RED
- PIN 9 047 L PINK
- PIN 10 046 L BLU
- PIN 11 077 L GREEN
- PIN 12 078 L YEL
- PIN 13 086 L BLUE
- PIN 14 087 L GRAY
- PIN 15 084S_L_VIOLET
- PIN 16 083 L PINK
- PIN 17 152_L_ORG/WHT
- PIN 18 153_L_ORG
- PIN 19 099_L_WHITE
- PIN 20 113_L_ORG
- PIN 21 128_L_BLU
- PIN 22 129_L_YEL
- PIN 23 103_L_BROWN
- PIN 24 104_L_TAN
- PIN 25 105_L_LT_BLUE
- PIN 26 106_L_GRN
- PIN 27 114_L_YEL
- PIN 28 115_L_TAN
- PIN 29 113Z_L_ORG
- PIN 30 113Z_L_ORG
- PIN 31 149_L_DK GRN

29 PIN CONNECTOR

- PIN 1 019A_L RED 12 GA
- PIN 2 020B_L WHITE 12 GA
- PIN 3 019B_L RED 12 GA
- PIN 4 020A_L WHITE 12 GA
- PIN 5 150A_L YEL
- PIN 6 057_L YEL
- PIN 7 058 LT BLUE
- PIN 8 147Y_L ORG
- PIN 9 164 L WHT/RED
- PIN 10 169 L ORG
- PIN 11 147Z_L ORG
- PIN 12 122 WHT/GRN
- PIN 13 123 BLK/WHT
- PIN 14 124 WHT/DK BLUE
- PIN 15 125 WHT/RED
- PIN 16 166 GREY
- PIN 17 167 TAN
- PIN 18 27 L BLACK
- PIN 19 163_L RED/WHT
- PIN 20 26 L RED
- PIN 21 155_L BLACK
- PIN 22 156_L RED
- PIN 23 155/156 SHIELD
- PIN 24 133_L WHT/RED
- PIN 25 130_L ORG
- PIN 26 137_L RED
- PIN 27 91_L RED
- PIN 28 147_L ORG
- PIN 29 92_L BLACK



LOADER GAUGES

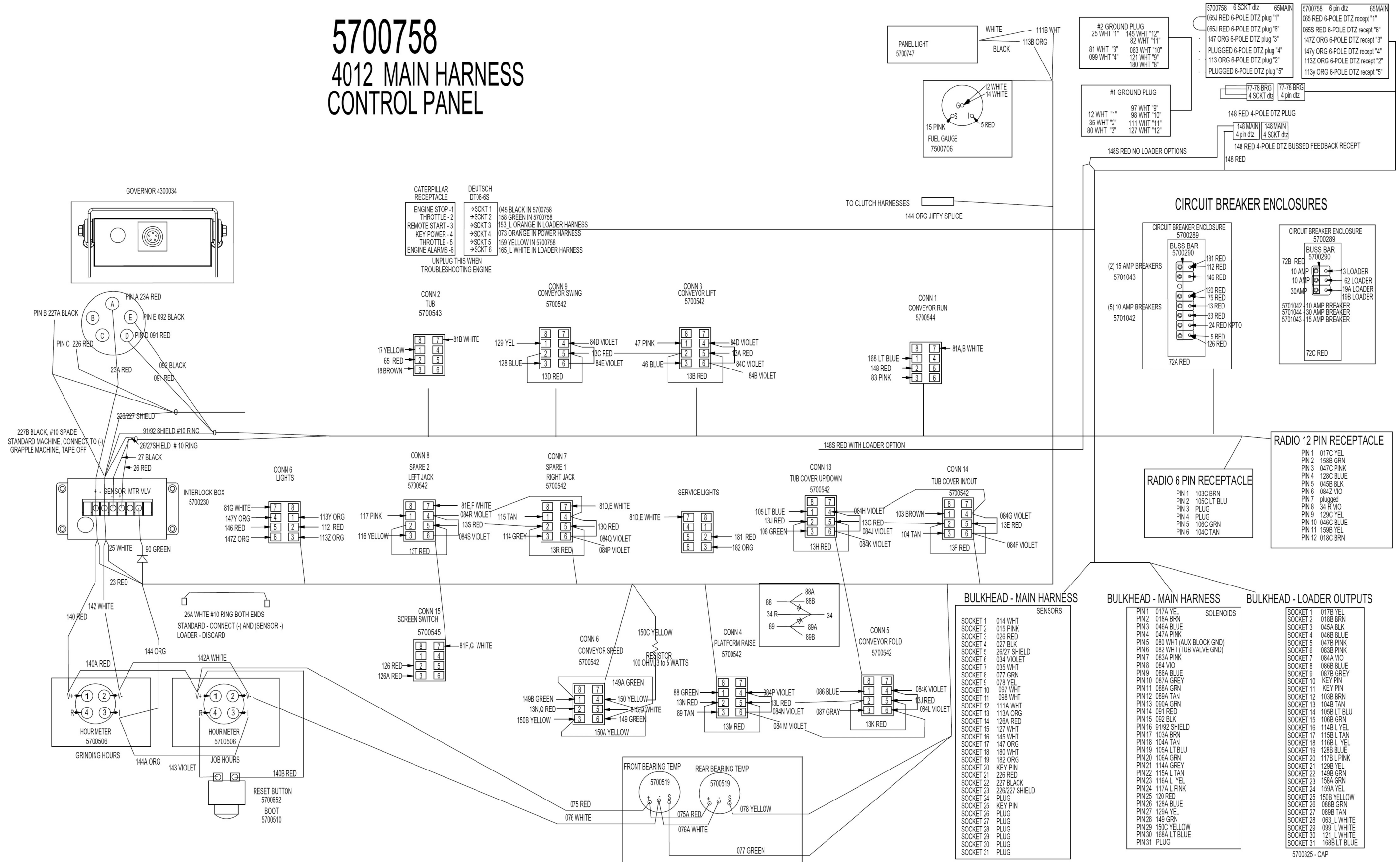


HOOD CAB CONTROLS



5700758

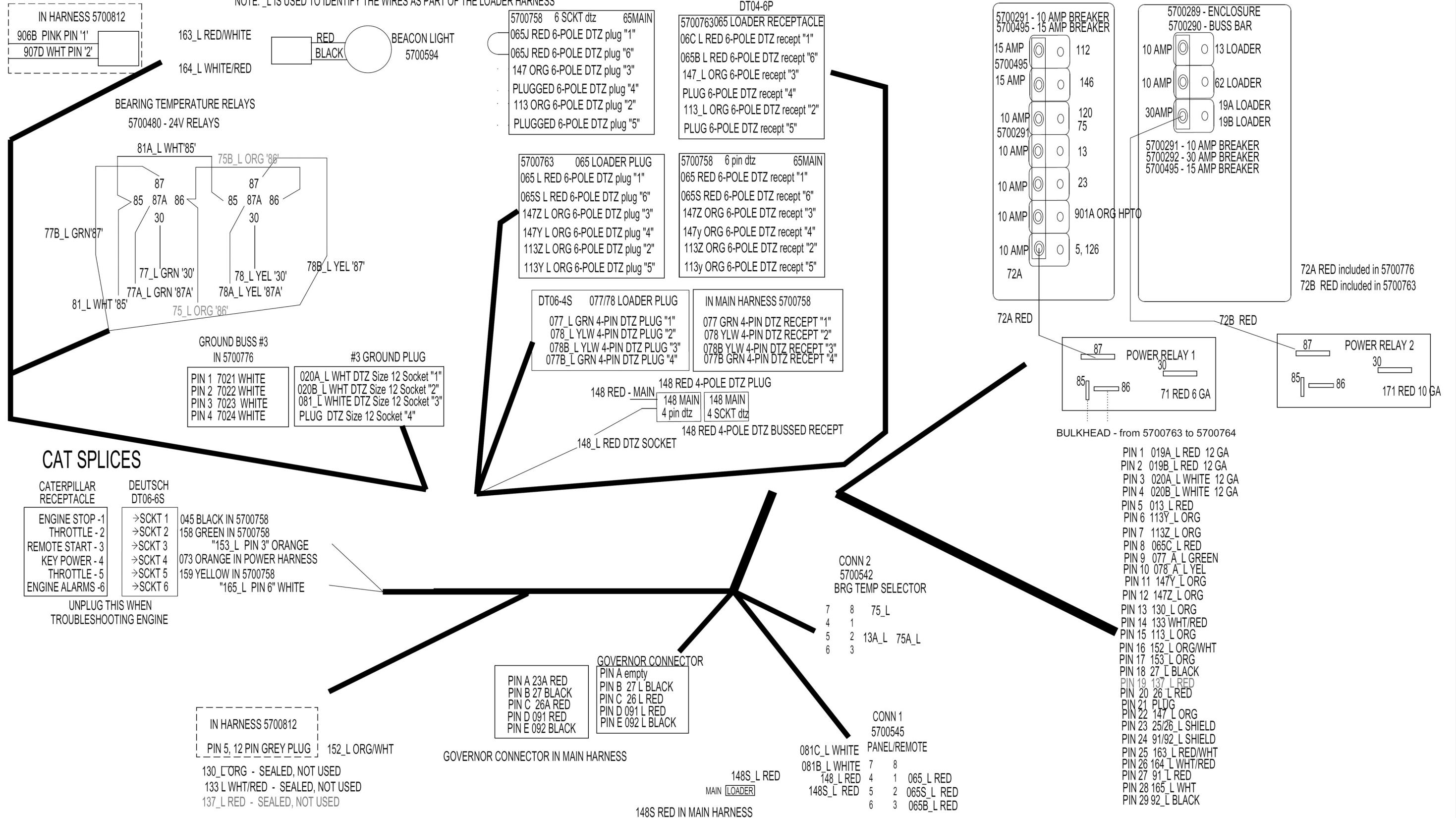
4012 MAIN HARNESS CONTROL PANEL



4012 CONTROL PANEL LOADER WIRING HARNESS

NOTE: _L IS USED TO IDENTIFY THE WIRES AS PART OF THE LOADER HARNESS

5700763



758 BULKHEAD - TO MAIN HARNESS 5700758, LOADER OUTPUTS

PIN 1	017_L YEL
PIN 2	018_L BRN
PIN 3	45 black
PIN 4	046_L BLU
PIN 5	047_L PNK
PIN 6	083_L PINK
PIN 7	084S_L VIOLET
PIN 8	086_L BLUE
PIN 9	087_L GRAY
PIN 10	PLUG
PIN 11	PLUG
PIN 12	103_L BROWN
PIN 13	104_L TAN
PIN 14	105_L LT BLUE
PIN 15	106_L GRN
PIN 16	PLUG
PIN 17	PLUG
PIN 18	PLUG
PIN 19	128_L BLU
PIN 20	PLUG
PIN 21	129_L YEL
PIN 22	149_L DK GRN
PIN 23	158_L GREEN
PIN 24	159_L YEL
PIN 25	150_L YEL
PIN 26	PLUG
PIN 27	PLUG
PIN 28	063_L WHITE
PIN 29	099_L WHITE
PIN 30	121_L WHITE
PIN 31	168 LT BLUE

31 PIN CONNECTOR

5700764 LOADER HARNESS - ENGINE SECTION

NOTE: _L IS USED TO IDENTIFY THE WIRES AS PART OF THE LOADER HARNESS

5/28/2008 REV 0
6/11/2008 Rev A
04/10/2009 Rev B
04/27/2011 Rev C

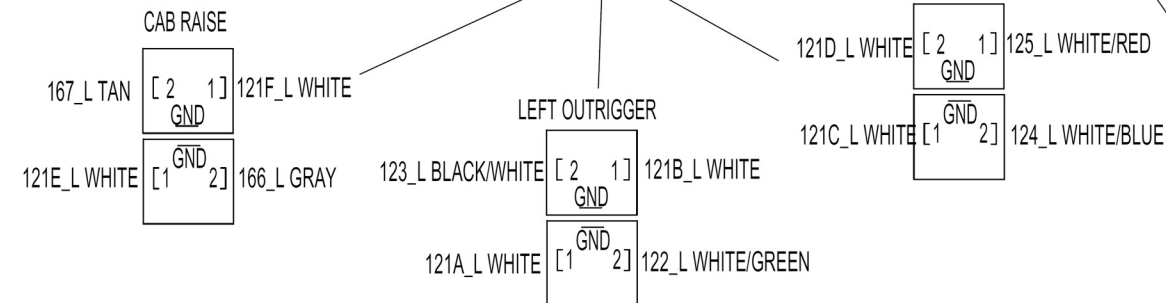
31 SCKT CONNECTOR

SOCKET 1	158_L GREEN
SOCKET 2	159_L YEL
SOCKET 3	165_L WHT
SOCKET 4	45 black
SOCKET 5	013_L RED
SOCKET 6	017_L YEL
SOCKET 7	018_L BRN
SOCKET 8	065_L RED
SOCKET 9	047_L PNK
SOCKET 10	046_L BLU
SOCKET 11	077_L GREEN
SOCKET 12	078_L YEL
SOCKET 13	086_L BLUE
SOCKET 14	087_L GRAY
SOCKET 15	084S_L VIOLET
SOCKET 16	083_L PINK
SOCKET 17	152_L ORG/WHT
SOCKET 18	153_L ORG
SOCKET 19	099_L WHITE
SOCKET 20	113_L ORG
SOCKET 21	128_L BLU
SOCKET 22	129_L YEL
SOCKET 23	103_L BROWN
SOCKET 24	104_L TAN
SOCKET 25	105_L LT BLUE
SOCKET 26	106_L GRN
SOCKET 27	PLUG
SOCKET 28	168 LT BLUE
SOCKET 29	113Y_L ORG
SOCKET 30	113Z_L ORG
SOCKET 31	149_L DK GRN

AC COMPRESSOR

SEE ALSO - LOADER CAB SCHEMATICS

056_L ORANGE



OUTRIGGER VALVES

3 SINGLE SPOOL VALVES, 4000485 2 SOLENOIDS EACH VALVE, 4000486
056_L ORANGE 1-POLE W/P TOWER
063A_L WHITE 5/16" RING, 9" BEYOND BRAID

AC CLUTCH

ENGINE TEMPERATURE SENDING UNIT

5700502

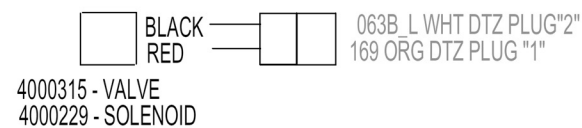
OIL PRESSURE SENDING UNIT

5700500

TACH SENDING UNIT

DEUTSCH 6-PIN SHROUD
155_L BLACK TWISTED AND SHIELDED PIN 4
156_L WHITE TWISTED AND SHIELDED PIN 3
5700488

PILOT SYSTEM VALVE



29 PIN CONNECTOR

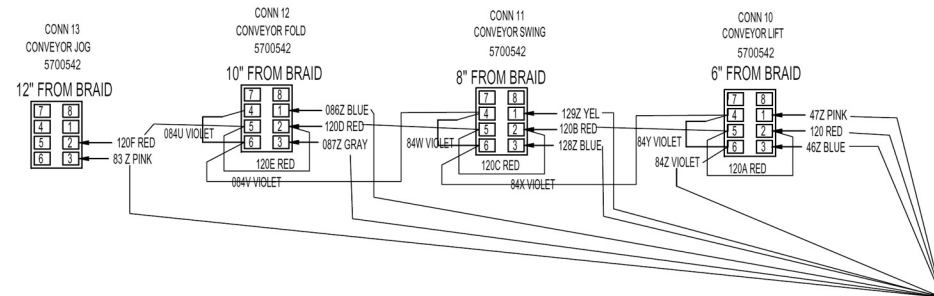
763 BULKHEAD - TO 5700763

SOCKET 1	019A_L RED 12 GA
SOCKET 2	019B_L RED 12 GA
SOCKET 3	020A_L WHITE 12 GA
SOCKET 4	020B_L WHITE 12 GA
SOCKET 5	013_L RED
SOCKET 6	113Y_L ORG
SOCKET 7	113Z_L ORG
SOCKET 8	065C_L RED
SOCKET 9	077A_L GREEN
SOCKET 10	078A_L YEL
SOCKET 11	147Y_L ORG
SOCKET 12	147Z_L ORG
SOCKET 13	130_L ORG
SOCKET 14	133 WHT/RED
SOCKET 15	113 L ORG
SOCKET 16	152_L ORG/WHT
SOCKET 17	153_L ORG
SOCKET 18	27_L BLACK
SOCKET 19	137_L RED
SOCKET 20	26_L RED
SOCKET 21	KEY PIN 0413-215-1605
SOCKET 22	147_L ORG
SOCKET 23	25/26_L SHIELD
SOCKET 24	91/92_L SHIELD
SOCKET 25	163_L RED/WHT
SOCKET 26	164_L WHT/RED
SOCKET 27	91_L RED
SOCKET 28	165_L WHT
SOCKET 29	92_L BLACK

29 SCKT CONNECTOR

SOCKET 1	019A_L RED 12 GA
SOCKET 2	020B_L WHITE 12 GA
SOCKET 3	019B_L RED 12 GA
SOCKET 4	020A_L WHITE 12 GA
SOCKET 5	150A_L YEL
SOCKET 6	057_L YEL
SOCKET 7	7058 LT BLUE
SOCKET 8	147Y_L ORG
SOCKET 9	164_L WHT/RED
SOCKET 10	169_L ORG
SOCKET 11	147Z_L ORG
SOCKET 12	122 WHT/GRN
SOCKET 13	123 BLK/WHT
SOCKET 14	123 WHT/DK BLUE
SOCKET 15	125 WHT/RED
SOCKET 16	166 GREY
SOCKET 17	167 TAN
SOCKET 18	27_L BLACK
SOCKET 19	163_L RED/WHT
SOCKET 20	26_L RED
SOCKET 21	155_L BLACK
SOCKET 22	156_L RED
SOCKET 23	155/156 SHIELD
SOCKET 24	133 WHT/RED
SOCKET 25	130_L ORG
SOCKET 26	137_L RED
SOCKET 27	91_L RED
SOCKET 28	147_L ORG
SOCKET 29	92_L BLACK

REAR SWITCHES



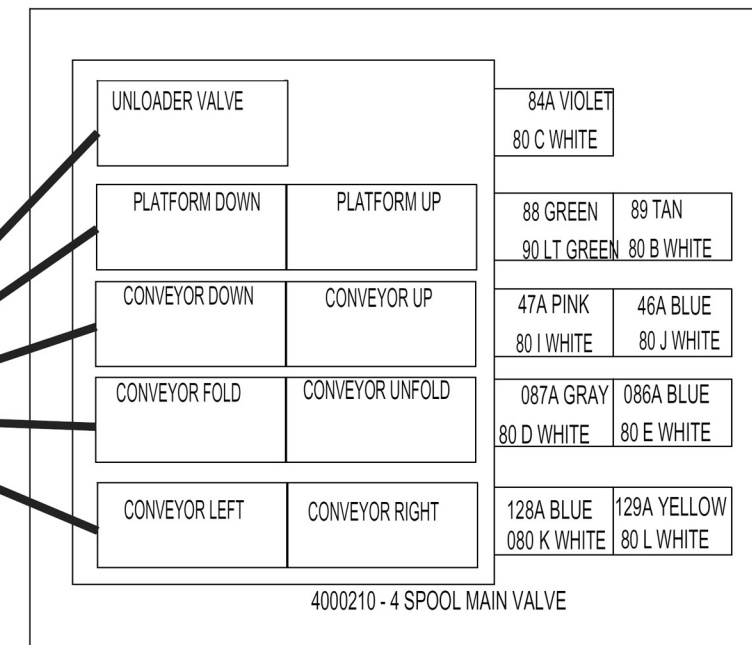
BULKHEAD - MAIN HARNESS

SOCKET 1	017 YEL	HD 36-24-31-ST-059
SOCKET 2	018 BRN	
SOCKET 3	046 BLUE	
SOCKET 4	047 PINK	
SOCKET 5	080 WHT (AUX BLOCK GND)	
SOCKET 6	082 WHT (TUB VALVE GND)	
SOCKET 7	083 PINK	
SOCKET 8	084 VIO	
SOCKET 9	086 BLUE	
SOCKET 10	087 GREY	
SOCKET 11	088 GRN	
SOCKET 12	089 TAN	
SOCKET 13	090 GRN	
SOCKET 14	091 RED	
SOCKET 15	092 BLK	
SOCKET 16	91/92 SHIELD	
SOCKET 17	103 BRN	
SOCKET 18	104 TAN	
SOCKET 19	105 LT BLU	
SOCKET 20	106 GRN	
SOCKET 21	114 L YEL	
SOCKET 22	115 L TAN	
SOCKET 23	116 L YEL	
SOCKET 24	117 L PINK	
SOCKET 25	120 RED	
SOCKET 26	128 BLUE	
SOCKET 27	129 YEL	
SOCKET 28	149 GRN	
SOCKET 29	150 YELLOW	
SOCKET 30	158 BLU PLUG	
SOCKET 31	PLUG	

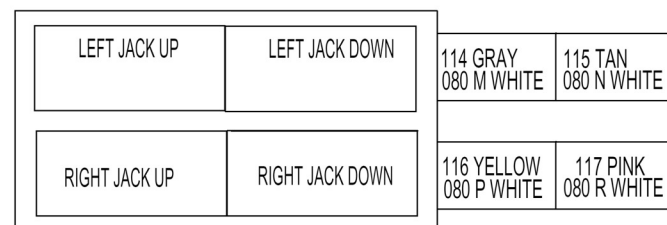
5700789

4012 2015 MAIN SWITCH WIRING HARNESS

REAR VALVE - 4000210

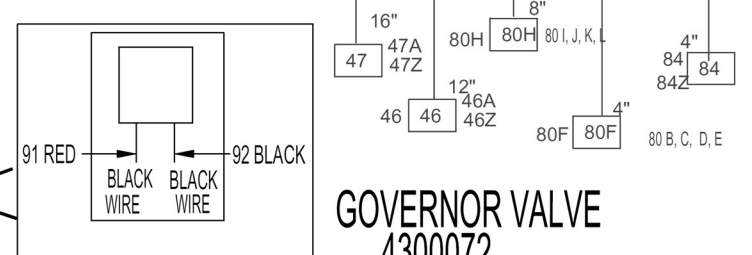


SPARES
HYDRAULIC JACK VALVE

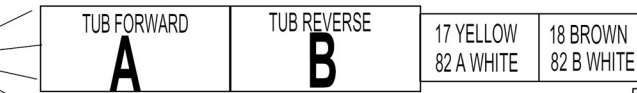


4000211 - 2 SPOOL ADDER VALVE

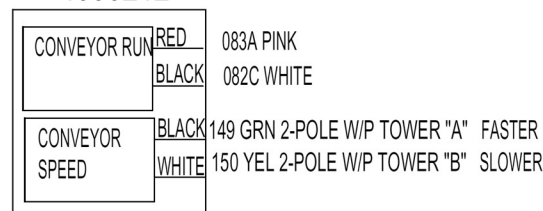
GOVERNOR VALVE
4300072



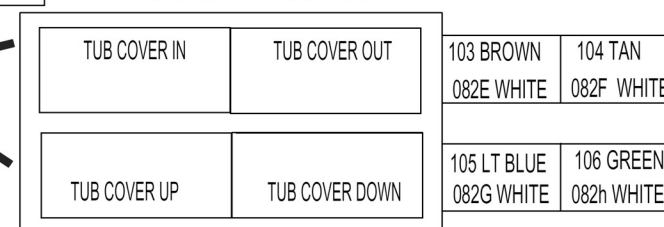
TUB VALVE 4000207



CONVEYOR VALVE
4000212



TUB COVER VALVE



4000211 - 2 SPOOL ADDER VALVE