



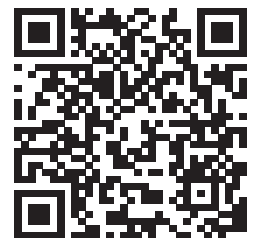
DURATECH[®]



Manual 2: Parts Reference

9564[™]

Horizontal Grinder



PRODUCT INFORMATION



0500124 • FEBRUARY 2018

DURATECH INDUSTRIES INTERNATIONAL INC.
PO BOX 1940, JAMESTOWN, ND 58402-1940
TEL: (701) 252-4601 • FAX: (701) 252-0502
WWW.DURATECHINDUSTRIES.NET • WWW.HAYBUSTER.COM



 **DURATECH[®]**
Clearing the Way for a Better Tomorrow




9564TM

Horizontal Grinder

Manual 2: Parts Reference

DuraTech Industries International Inc. (DuraTech) has made every effort to assure that this manual completely and accurately describes the operation and maintenance of the 9564TM Horizontal Grinders as of the date of publication. DuraTech reserves the right to make updates to the machine from time to time. Even in the event of such updates, you should still find this manual to be appropriate for the safe operation and maintenance of your unit.

This manual, as well as materials provided by component suppliers to DuraTech are all considered to be part of the information package. Every operator is required to read and understand these manuals, and they should be located within easy access for periodic review.

 **DURATECH**® is a registered trademark of Duratech Industries International, Inc. 9564 is a trademark of Duratech Industries International, Inc.



 **DURATECH[®]**
Clearing the Way for a Better Tomorrow



FOREWORD



Foreword

All personnel must read and understand before operating unit

DuraTech Industries International Inc. (DuraTech Industries) has made every effort to assure that this manual completely and accurately describes the operation and maintenance of this Industrial Grinder as of the date of publication. DuraTech Industries reserves the right to make updates to the machine from time to time. Even in the event of such updates, you should still find this manual to be appropriate for the safe operation and maintenance of your machine.

This manual, as well as materials provided by component suppliers to DuraTech Industries are all considered to be part of the information package. Every operator is required to read and understand these manuals. All manuals should be located within easy access for troubleshooting and periodic review.

Appropriate use of the unit

This Horizontal Grinder is designed to grind wood waste and other materials, including: grass clippings, leaves, pallets, construction and demolition debris, tree branches and tree trunks.

It is **NOT** designed to grind rocks, steel, concrete, or the like.

Operator protection

As with all machinery, care needs to be taken by the operator in order to insure the safety of the operator and those in the surrounding area.



WARNING: Operators and those observing the operation of the Industrial Grinder are required to wear head, eye, and ear protection. No loose clothing is allowed.



TABLE OF CONTENTS

9564 HORIZONTAL GRINDER : Parts Reference 1

WEAR PLATES 2

FEED ROLLER SLOT SEALS 4

FRONT TABLE HOSE PROTECTORS 6

ROTOR COVER..... 8

SCREEN RACK AND SWITCH 10

JACKS 12

BELT GUARD ASSEMBLY 14

FRONT TABLE ASSEMBLY 16

FIFTH WHEEL SKID 18

THREE-BANK VALVE COVER 20

BELLY BELT ACCESS DOOR 22

AIR COMPRESSOR 24

AXLE 26

REAR ACCESS LADDER 28

SHROUD AND GULL WING DOORS 30

SHROUD FRONT DOOR 32

LEFT HAND ENGINE DOOR 34

RIGHT HAND ENGINE DOOR 36

ENGINE COMPARTMENT ASSEMBLY 38

CLUTCH - PUMP - RADIATOR 40

FEED FLOOR 42

LIFT ARM ASSEMBLY 44

ROTOR ASSEMBLY 46

BELT TENSIONER 48

FRONT BELLY CONVEYOR 50

LEFT SIDE IMPACT 52

RIGHT SIDE IMPACT 54

FRONT BELLY CONVEYOR DOOR 56

REAR TRANSITION 58

BELLY CONVEYOR FRONT IDLER PULLEY 60

REAR BELLY CONVEYOR 62

MATERIAL GUIDE 64

CONVEYOR BELLY SCRAPER 66

UPPER DISCHARGE CONVEYOR 68

LOWER DISCHARGE CONVEYOR 70

MATERIAL DEFLECTOR 72

UPPER DISCHARGE CONVEYOR BELT GUIDE 74

DISCHARGE CONVEYOR WEAR GUARD 76

CONVEYOR SWING 78

MAGNETIC CHUTE 80



TABLE OF CONTENTS

FUEL TANK	82
BATTERY BOX	84
OIL TANK	86
CONTROL PANEL FRAME	88
TOP CONTROL PANEL	90
BOTTOM CONTROL PANEL	92
CAT TIER 3 PANEL	94
WIRING DIAGRAM - 5700654	95
BULKHEAD #3 CLUTCH WIRING - 5700657	96
CAT TIER 3 CONTROL PANEL JUMPER DIAGRAM - 5700658	97
LIGHTING HARNESS - 5700665	98
POWER HARNESS - 5700749 & 5700750	99
HYDRAULIC CYLINDERS - 4100193 & 4100254	100
HYDRAULIC CYLINDERS - 4100255 & 4100256	101
HYDRAULIC CYLINDERS - 4100257 & 4100258	102
HYDRAULIC CYLINDERS - 4100267, 4100268 & 4100346	103
ORBIT MOTORS	104
4000304 24V POWER UNIT	105
4000310 CENTER SECTIONS	106
4000310 TIE ROD AND END SECTIONS	108
HYDRAULIC AUXILLARY VALVE - 5 BANK - 4000309	110
HYDRAULIC SET-UP VALVE - 6 BANK - 4000311	112
HYDRAULIC DISCHARGE CONVEYOR VALVE - 3 BANK - 4000338....	114
HYDRAULIC CLUTCH TANK	116
9564 HPTO CLUTCH HYD SCHEMATIC	118
9564 HYDRAULIC HOSES	119
STANDARD AIR BRAKES	126
DECALS	132
9564 CUSTOMER WEAR PARTS	134
9564 DOCUMENT COMMENT FORM	135
APPENDIX A FOLDOUTS	137
5700655 CONTROL PANEL	FO-1
5700655 CONTROL PANEL RELAYS	FO-2
5700656 CONTROL PANEL WIRING SCHEMATIC	FO-3
MACHINE HYDRAULICS - EXPLOSION	FO-4
MACHINE HYDRAULICS - SECTIONS 1 AND 2	FO-5
MACHINE HYDRAULICS - SECTIONS 3 AND 4	FO-6



TABLE OF CONTENTS



Clearing the Way for a Better Tomorrow

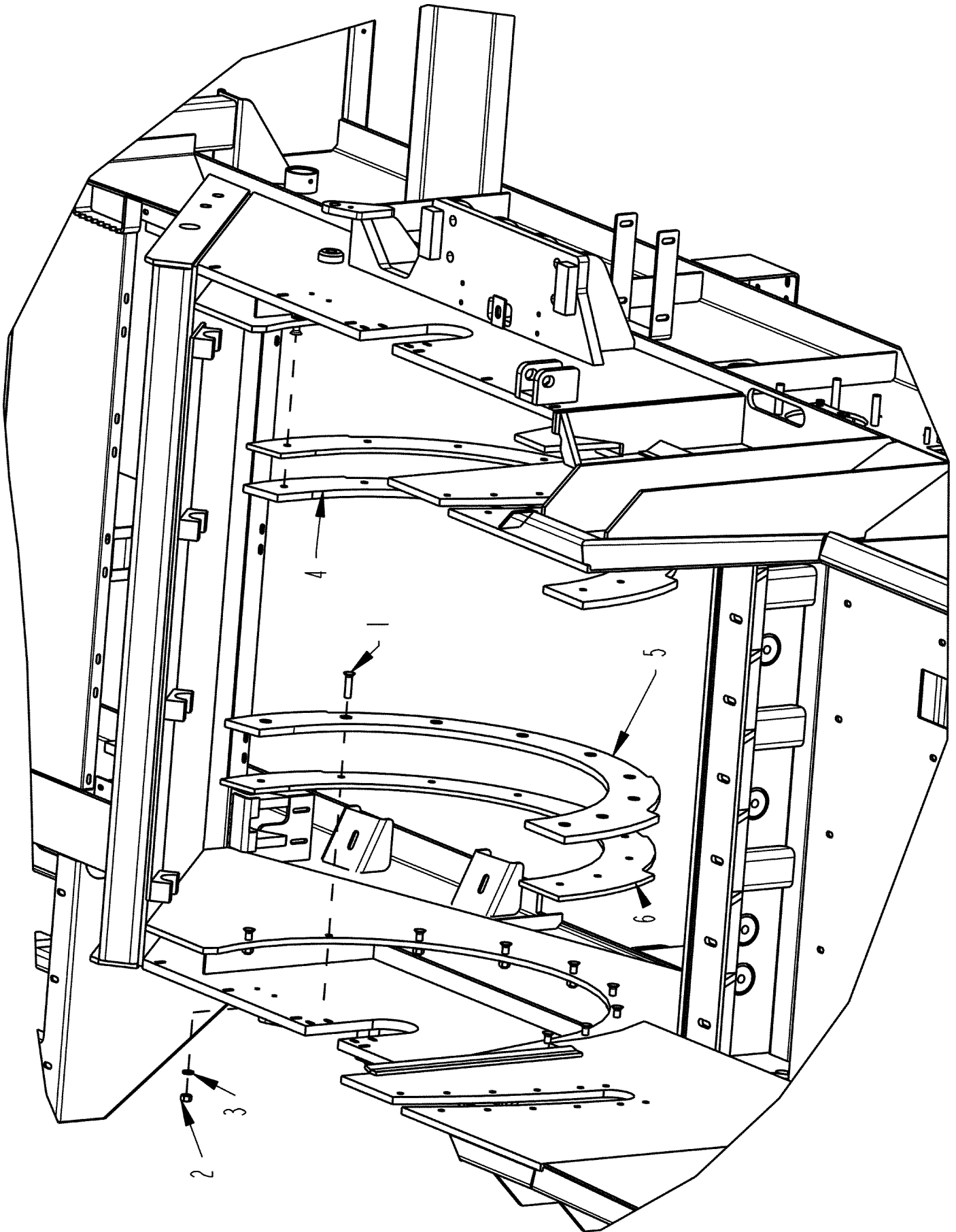


9564TM

Horizontal Grinder

**Manual 2:
Parts Reference**

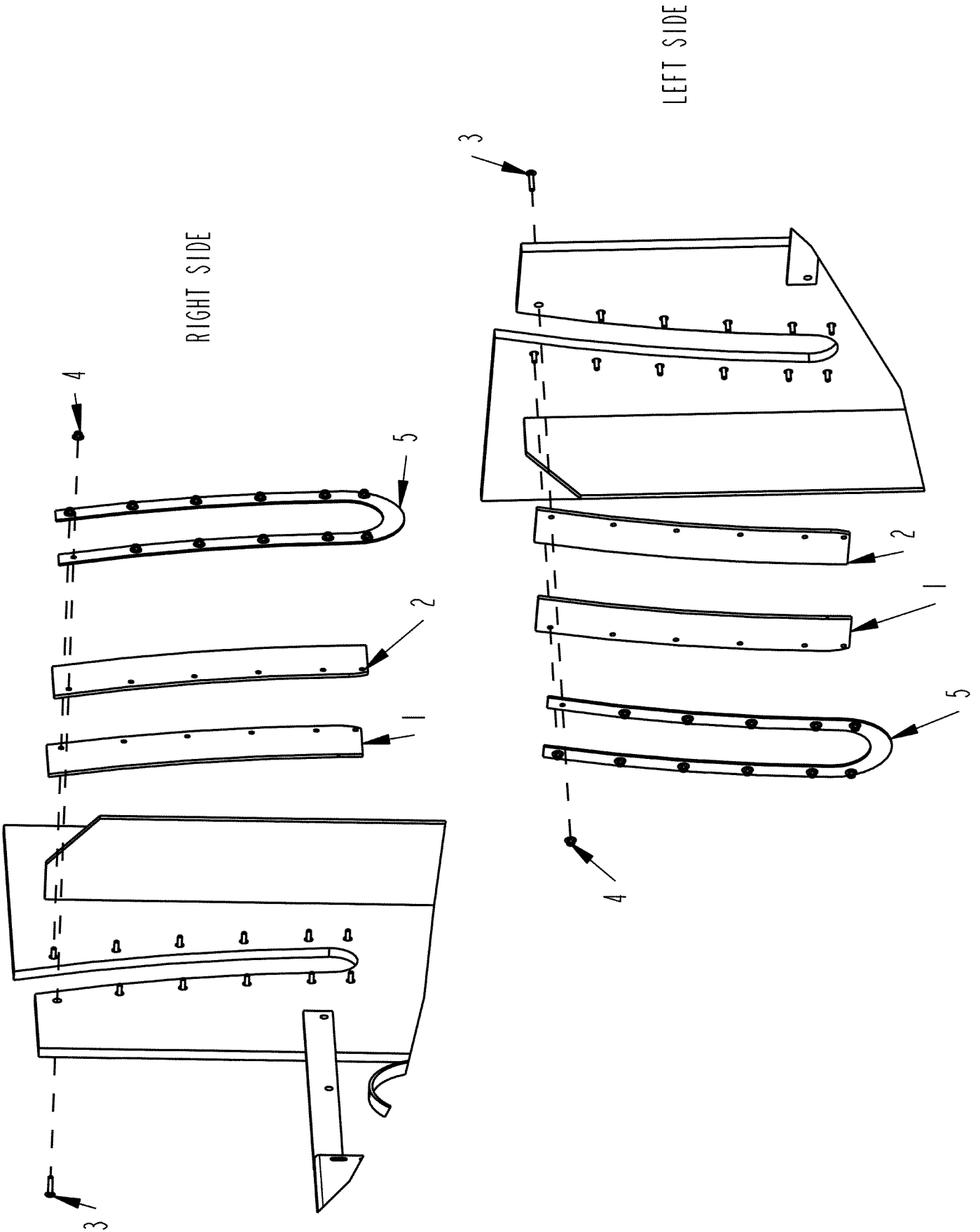
WEAR PLATES



WEAR PLATES

ITEM	PART	QTY.	PART DESCRIPTION
1	4801220	18	SCR\CSK\ALN\5/8X2-1/2\NC
2	4900005	18	NUT\HEX\5/8\NC
3	5000003	18	WASH\LOCK\5/8
4	7100383	1	MACHINE\LH\PLATEWEAR
5	7100384	1	MACHINE\RH\PLATEWEAR
6	7100644	2	MACHINE\PLT\BACKUP\PLATEWEAR

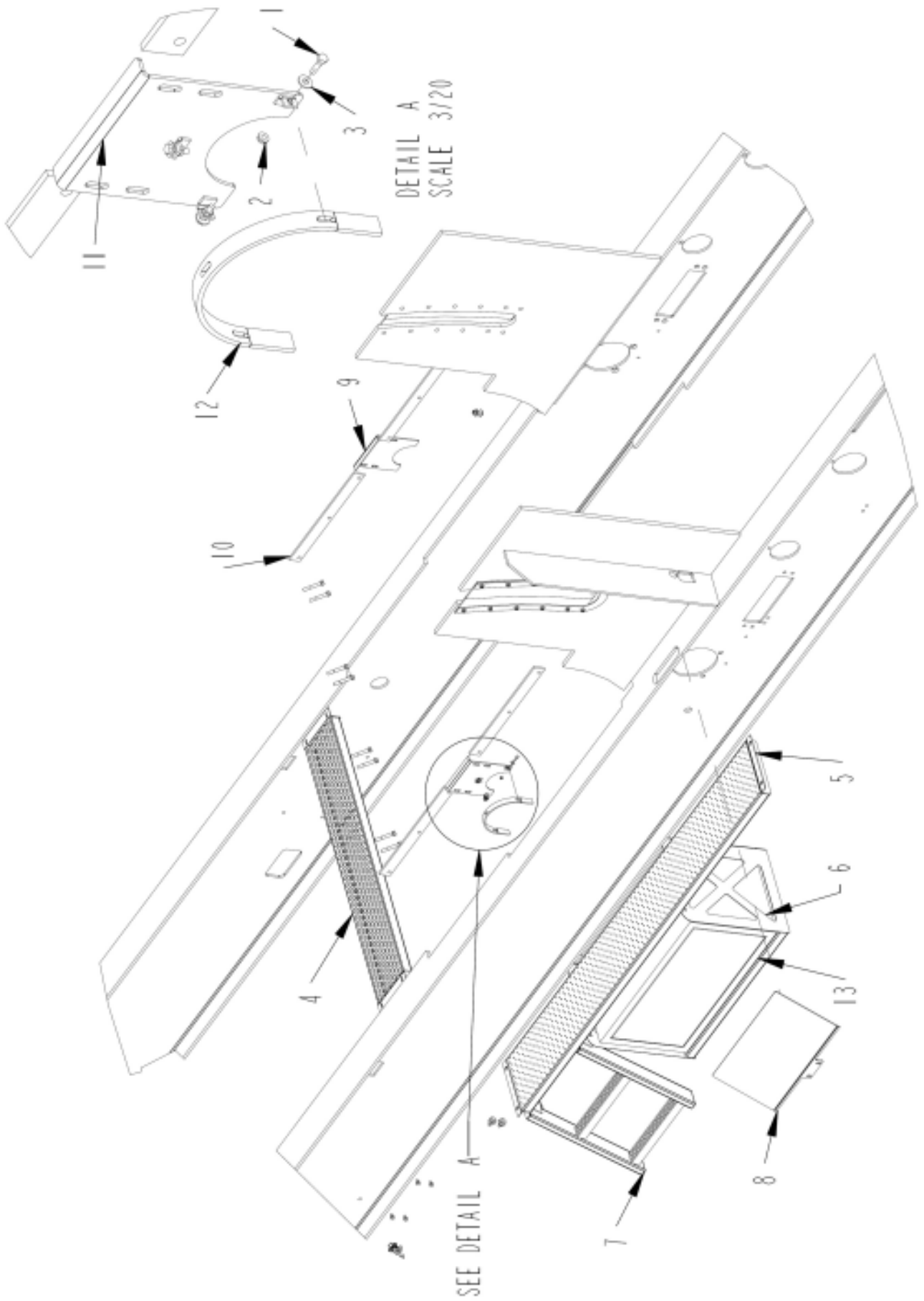
FEED ROLLER SLOT SEALS



FEED ROLLER SLOT SEALS

ITEM	PART	QTY.	PART DESCRIPTION
1	1700224	2	SEAL\SLT\WHL\FD\FRNT
2	1700225	2	SEAL\SLT\WHL\FD\REAR
3	4800475	24	BOLT\CRG\5/16X1-1/2\NC
4	4900167	24	NUT\FLG\5/16\WIDEBASE
5	7101044	2	CVR\SEAL\SLOT\ROLL\FEED

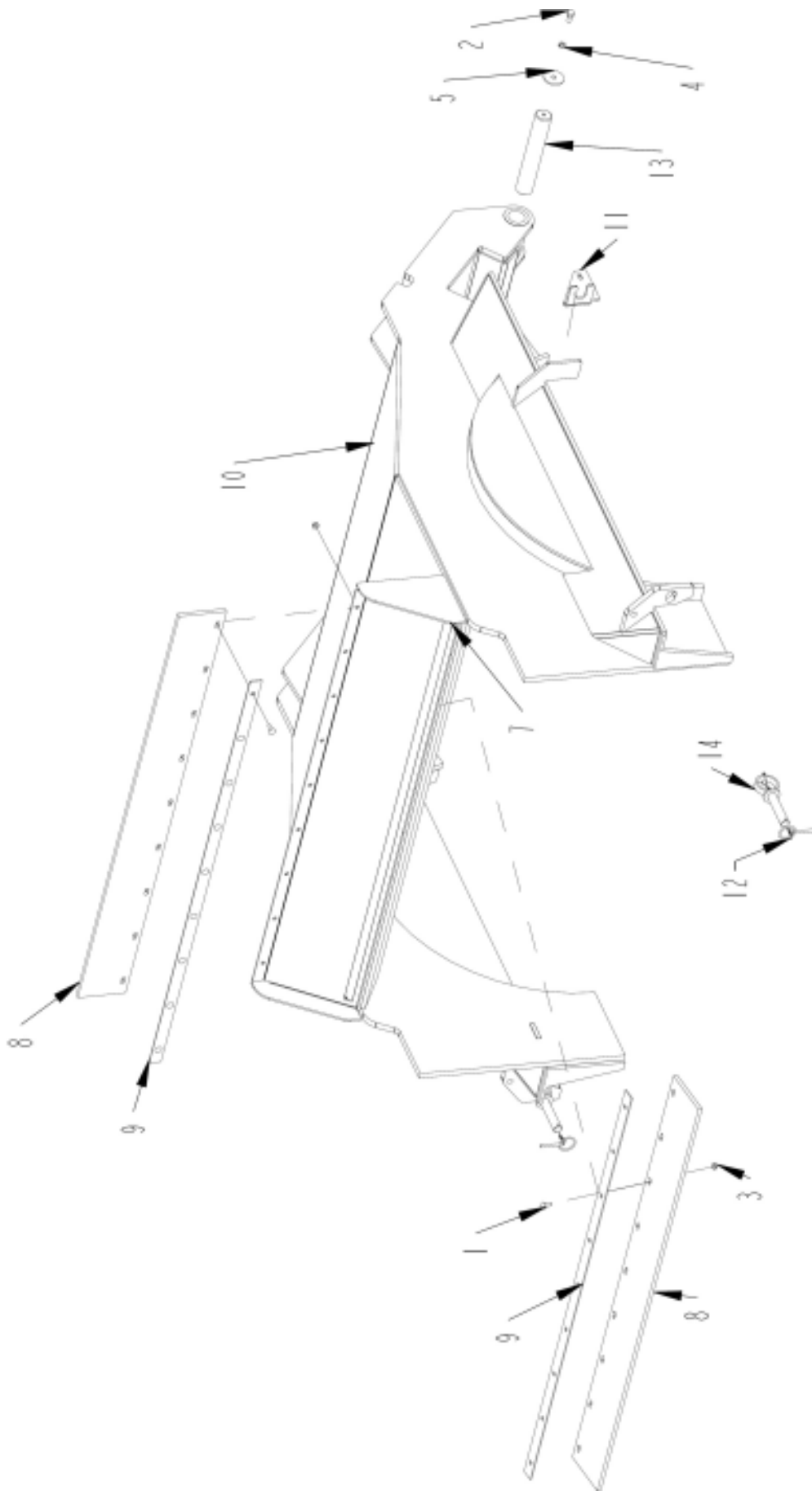
FRONT TABLE HOSE PROTECTORS



FRONT TABLE HOSE PROTECTORS

ITEM	PART	QTY.	PART DESCRIPTION
1	4800277	3	BOLT\HEX\1/4X1
2	4900040	3	NUT\FLG\SERR\1/4\NC
3	5000035	7	WASH\FLAT\1/4
4	7100391	1	WALKWAY\ENG\FRONT
5	7100703	1	DECK\SERV\ROTOR
6	7100948	1	BRCKT\MNT\BOX\TOOL
7	7100949	1	LDDR\BTTM\ACCESS\ENG\REAR
8	7100950	2	SHIELD\HOSES\TABLE
9	7100955	1	COVER\SHAFT\RTR
10	7101010	4	BAR\SEAL\BOX\RTR
11	7101067	1	CVR\BRG\RTR\RIGHT
12	7101069	1	BELT\CVR\BRG\RTR\RIGHT
13	7500971	1	BOX\TOOL\18X18X36

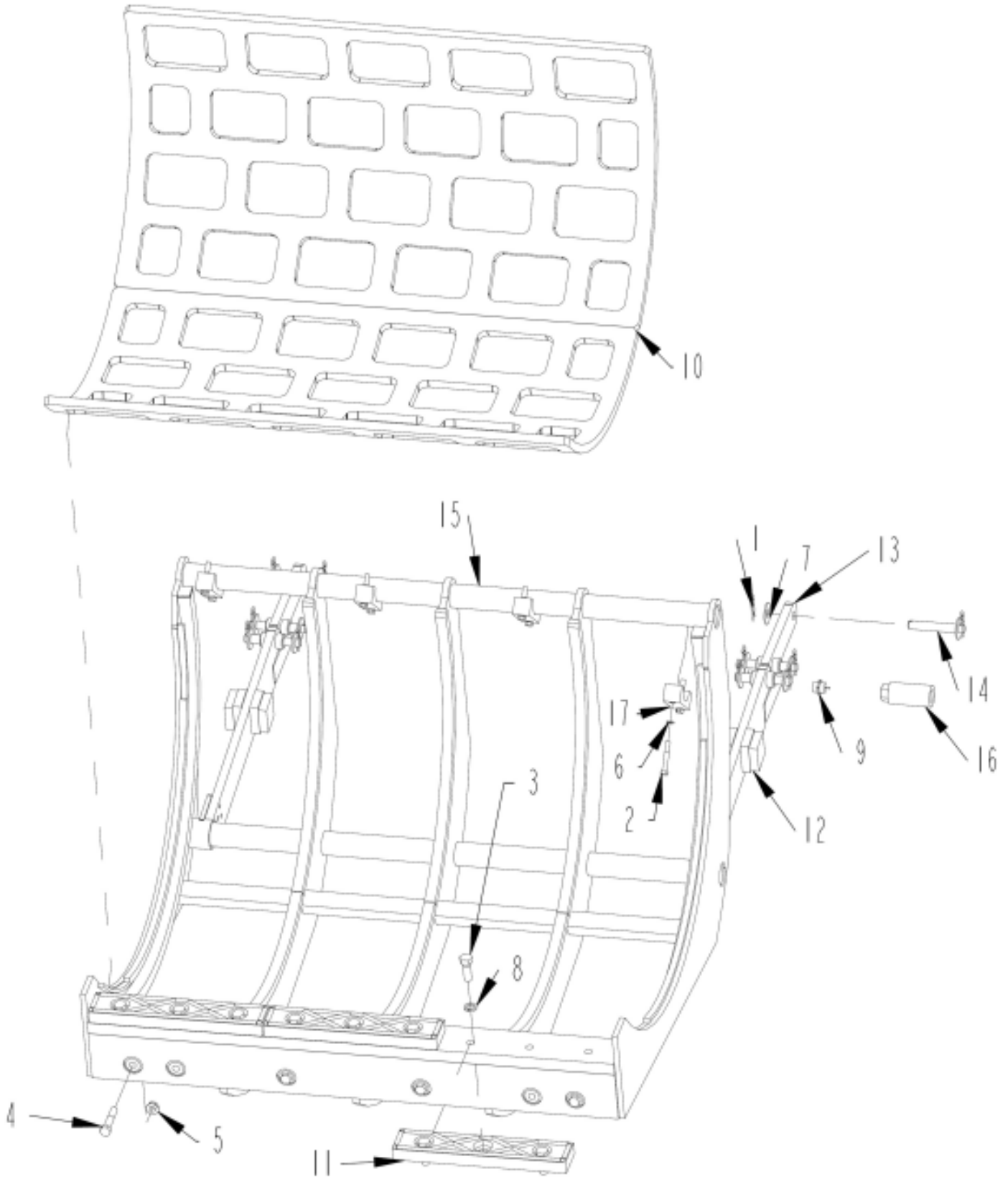
ROTOR COVER



ROTOR COVER

ITEM	PART	QTY.	PART DESCRIPTION
1	4800053	18	BOLT\CRG\3/8X1\NC
2	4800085	4	BOLT\HEX\1/2X1
3	4900076	18	NUT\FLG\SERR\3/8\NC
4	5000006	4	WASH\LOCK\1/2
5	7100395	4	WASHER\ARM\TORQUE
6	7100410	1	HSNG\ROTOR\TOP
7	7100422	1	COVER\RTR
8	7101021	2	BELT\SEAL\CVR\RTR
9	7101022	2	STRAP\RTNR\BELT
10	7101042	1	CVR\RTR\COMP
11	7101121	1	MNT\IND\CVR\RTR
12	7101146	2	PIN\ASYLCK\CVR\RTR
13	7101486	2	PIN\HINGE\CVR\RTR
14	7101487	2	PIN\LCK\CVR\RTR

SCREEN RACK AND SWITCH



SCREEN RACK AND SWITCH

ITEM	PART	QTY.	PART DESCRIPTION
1	4800056	12	PIN\HAIR\3/16(#3)
2	4800135	8	BOLT\HEX\1/2X3-1/2
3	4800470	9	BOLT\HEX\7/8X2-1/2\NC
4	4800491	4	BOLT\HEX\3/4X4\GR8\NC
5	4900160	4	NUT\FLG\TPLOCK\3/4\GR8\NC
6	5000006	8	WASH\LOCK\1/2
7	5000014	12	WASH\FLAT1
8	5000106	9	WASH\LOCK\7/8
9	5700664	1	SWITCH\PRXMTY\NPN
10	7100735	2	SCRN\6X9-1/4\1\9564
11	7100848	3	BAR\ANVIL
12	7101093	2	LINK\LWR\PSH\SCRN
13	7101094	2	LINK\UPPR\PSH\SCRN
14	7101095	6	PIN\PSH\SCRN
15	7101099	1	RACK\SCRN\SNGL
16	7101118	1	PSTNR\SNSR\PRX
17	7101122	4	TOP\BLOCK\MTG\SCRN

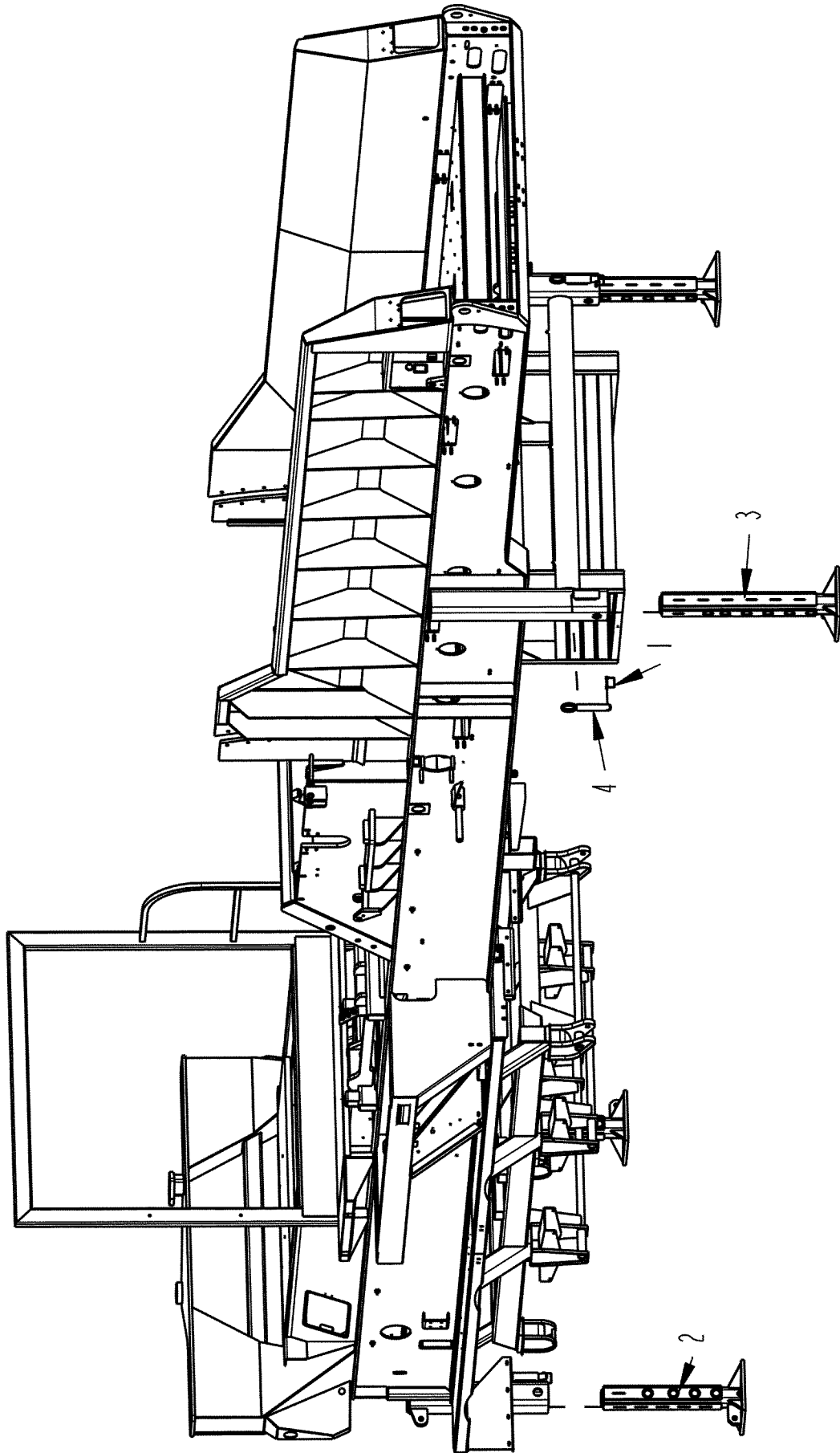
SCREENS

7100537	2	SCRN\4\RD\9564
7100734	2	SCRN\1\3-7/8X7REC\9564
7100735	2	SCRN\1\6X9-1\9564
7101009	2	SCRN\3\RD\9564

NOT SHOWN

4100193	2	CYL\HYD\2-1/2X8\1-1\4
---------	---	-----------------------

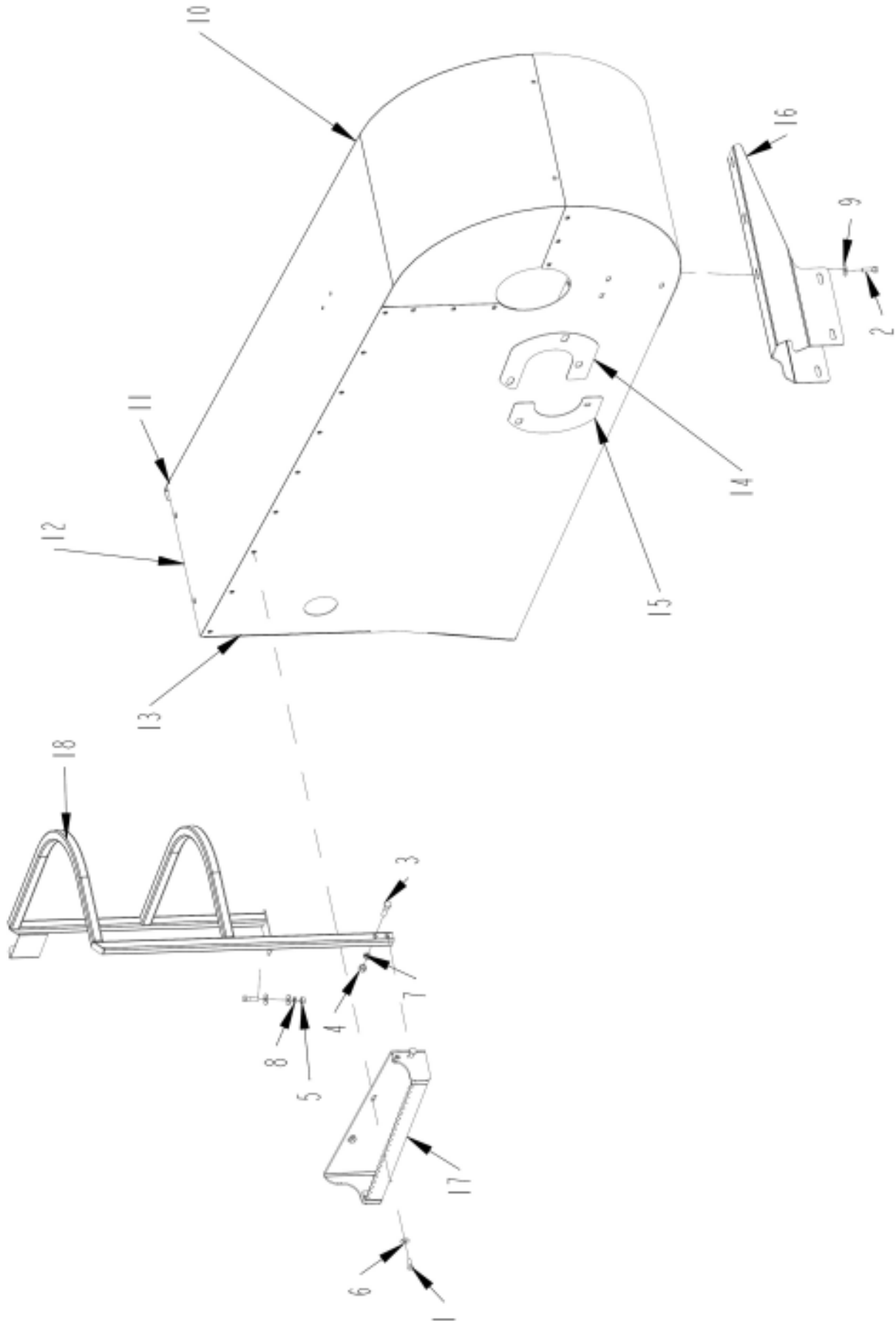
JACKS



JACKS

ITEM	PART	QTY.	PART DESCRIPTION
1	4800559	4	PIN\LYNCH\5\16X2-1\2\W\SQ;WIRE;KEEPER
2	7100351	2	STAND\JACK\LOWER
3	7100425	2	STAND\JACK\LOWER
4	7100426	4	PIN\JACK\STAND\LOCK
NOT SHOWN			
	4100257	2	CYL\HYD\4X16X1.75\CLEVIS\PERP\30000PSI (REAR)
	4100258	2	CYL\HYD\4X24X1.75\CLEVIS\PARRALLEL\#10 ORB (FRONT)

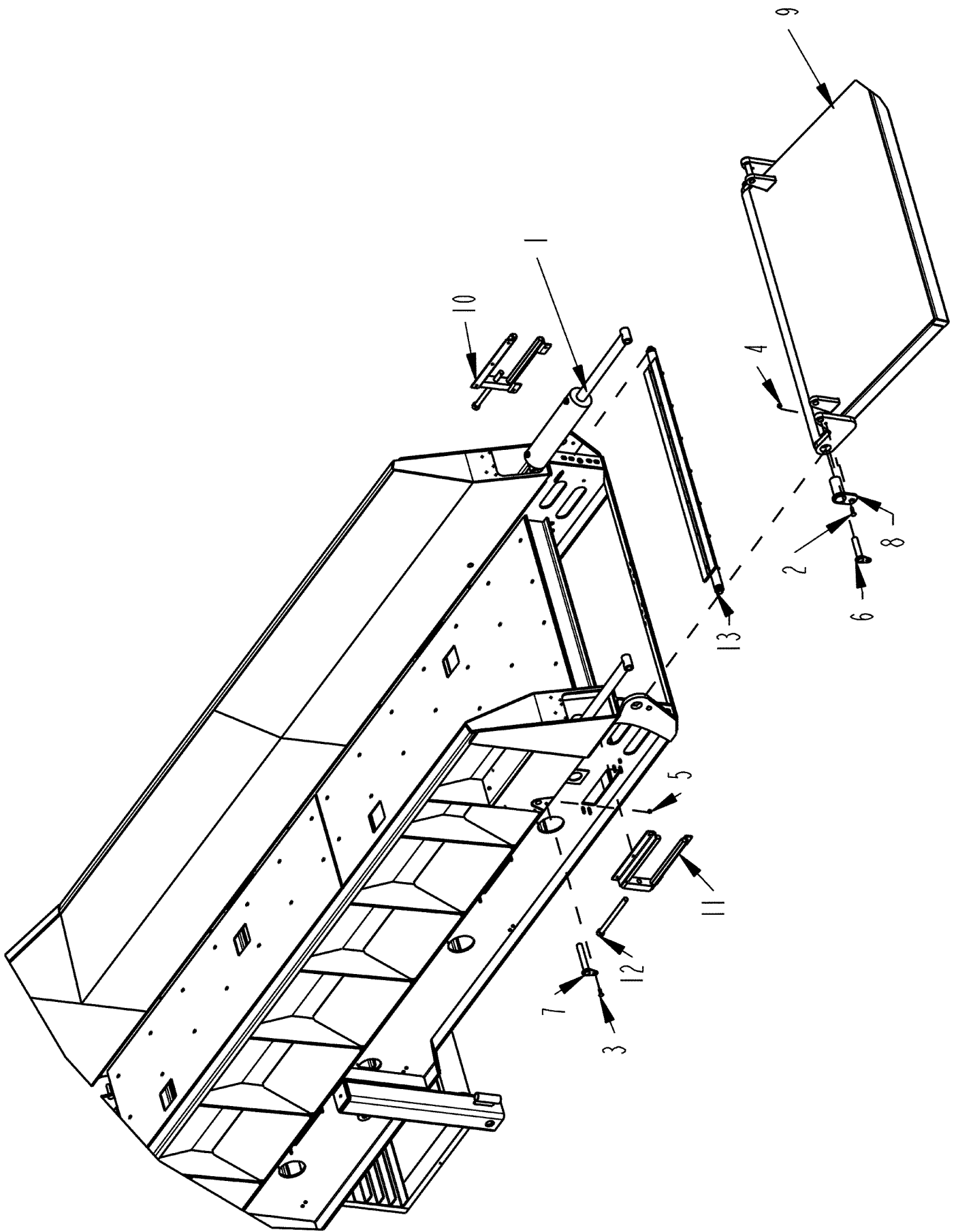
BELT GUARD ASSEMBLY



BELT GUARD ASSEMBLY

ITEM	PART	QTY.	PART DESCRIPTION
1	4800003	3	BOLT\HEX\3/8X1
2	4800040	2	BOLT\HEX\7/16X1-1/2
3	4800114	2	BOLT\HEX\1/2X2
4	4900001	2	NUT\HEX\1/2\NC
5	4900025	2	NUT\HEX\7/16\NC
6	5000001	3	WASH\FLAT\3/8
7	5000006	2	WASH\LOCK\1/2
8	5000015	2	WASH\LOCK\7/16
9	5000016	4	WASH\FLAT\7/16
10	7100896	1	COVER\DRIVE\BELT
11	7100897	1	GUARD\BELT
12	7100898	1	TOP\GAURD\BELT
13	7100899	1	GUARD\BELT\BTM
14	7101037	1	SEAL\SHFT\RTR\FR
15	7101038	1	SEAL\SHFT\RTR\REAR
16	7101055	1	MNT\FR\GAURD\BLT
17	7101075	1	STEP\TOP\TNK\HYD
18	7101076	1	RAIL\HAND\TNK\HYD

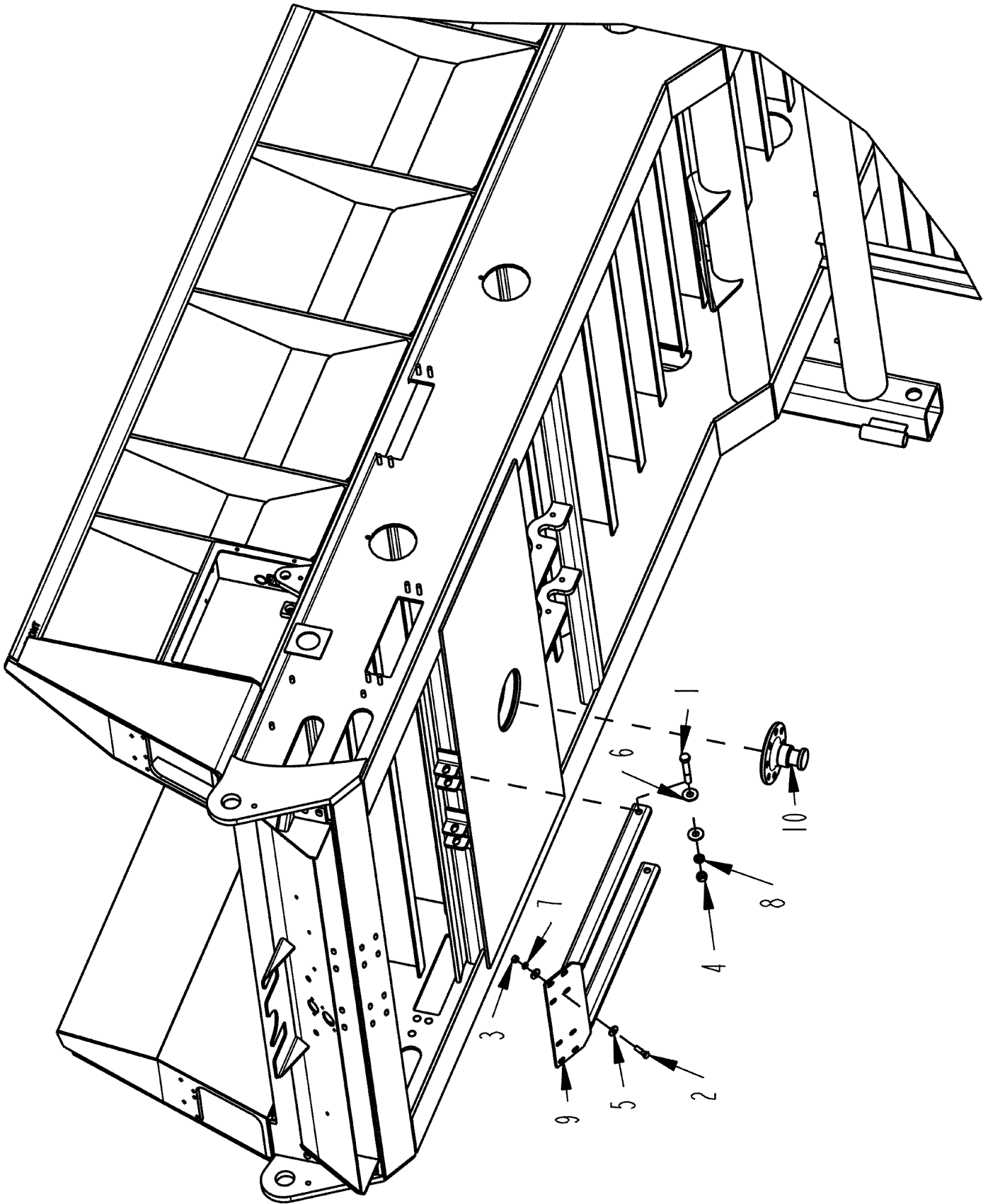
FRONT TABLE ASSEMBLY



FRONT TABLE ASSEMBLY

ITEM	PART	QTY.	PART DESCRIPTION
1	4100256	2	CYL\HYD\4-1/2X20\2-1/4 ROD\WELDED\W CROSSTUBES
2	4800334	2	BOLT\CRG\1/2X2\NC
3	4800947	1	BOLT\CRG\7/16X2\NC
4	4900014	2	NUT\TPLCK\1/2\NC
5	4900035	1	NUT\TPLCK\7/16\NC
6	7100358	2	PIN\CYL\HYD\1-1/4X6-7/8
7	7100359	2	PIN\CYL\HYD\1-1/4X7-7/8
8	7100360	2	PIN\CYL\HYD\2-1/2X5-3/4
9	7100364	1	TABLE\FOLDING\FRONT
10	7100455	1	TENSIONER\FLOOR\FEED\LH
11	7100458	1	TENSIONER\FLOOR\FEED\RH
12	7100459	2	ROD\TENSIONER
13	7101060	1	DEFL\MAT\FR\FLOOR\FEED

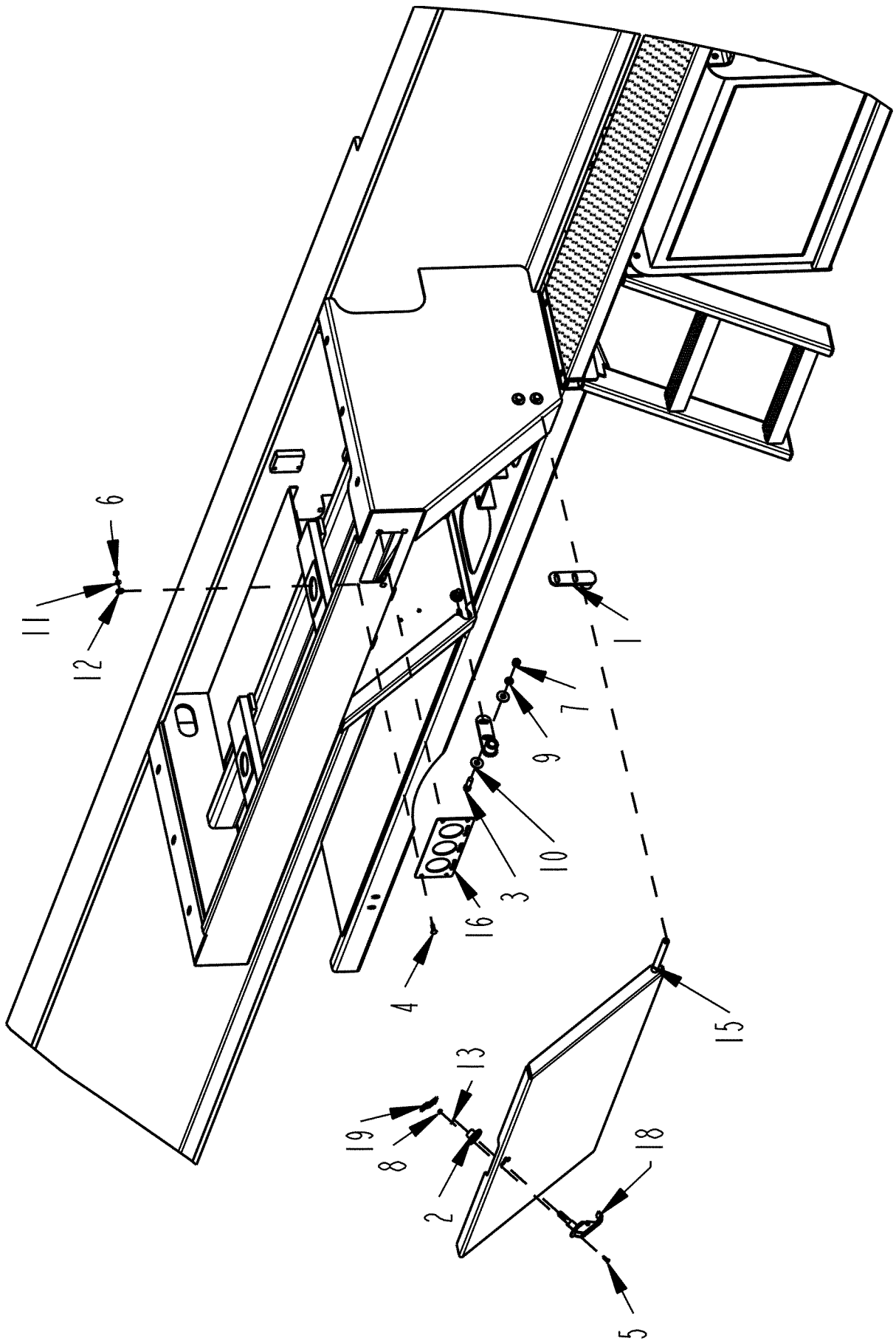
FIFTH WHEEL SKID



FIFTH WHEEL SKID

ITEM	PART	QTY.	PART DESCRIPTION
1	4800139	1	BOLT\HEX\3/4X4-1/2
2	4800178	1	BOLT\HEX\1/2X1-3/4
3	4900001	1	NUT\HEX\1/2\NC
4	4900004	1	NUT\HEX\3/4\NC
5	5000004	2	WASH\FLAT\1/2
6	5000005	2	WASH\FLAT\3/4
7	5000006	9	WASH\LOCK\1/2
8	5000012	1	WASH\LOCK\3/4
9	7100758	1	SKID\FIFTHWHEEL
10	7500941	1	KINGPIN\BOLT-IN\2

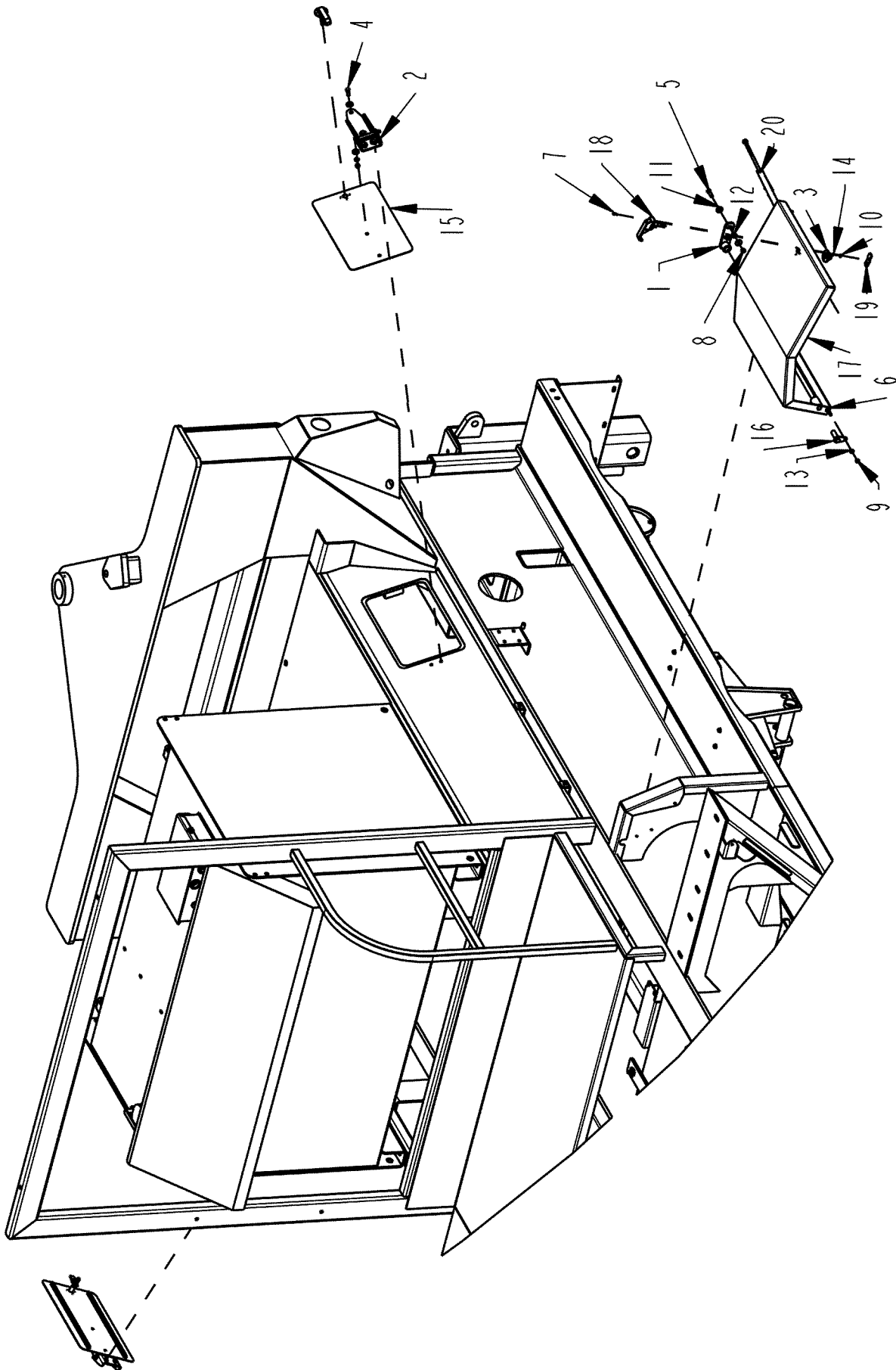
THREE-BANK VALVE COVER



THREE-BANK VALVE COVER

ITEM	PART	QTY.	PART DESCRIPTION
1	4703131	2	BRKT\PIVOT\DOOR
2	4704046	1	FLANGE\REINFORCE\LATCH
3	4800040	4	BOLT\HEX\7/16X1-1/2
4	4800214	4	BOLT\CRG\1/4X1\NC
5	4800657	3	SCR\RD\PHL\#10-24X5/8
6	4900009	4	NUT\HEX\1/4\NC
7	4900025	4	NUT\HEX\7/16\NC
8	4900072	3	NUT\HEX\#10\NC
9	5000015	4	WASH\LOCK\7/16
10	5000016	8	WASH\FLAT\7/16
11	5000024	4	WASH\LOCK\1/4
12	5000035	4	WASH\FLAT\1/4
13	5000071	3	WASH\LOCK;EXT\STAR\#10
14	7100459	1	ROD\TENSIONER
15	7100942	1	DOOR\VALVE\3-BANK
16	7100968	1	COVER\GAUGE\PRESS\HYD
17	7100992	2	BATTERY\HOLDDOWN
18	7500907	1	LATCH\COMP\HD\1.18-2.36
19	7500908	1	LATCH\COMP\HD\OFFSET;CAM

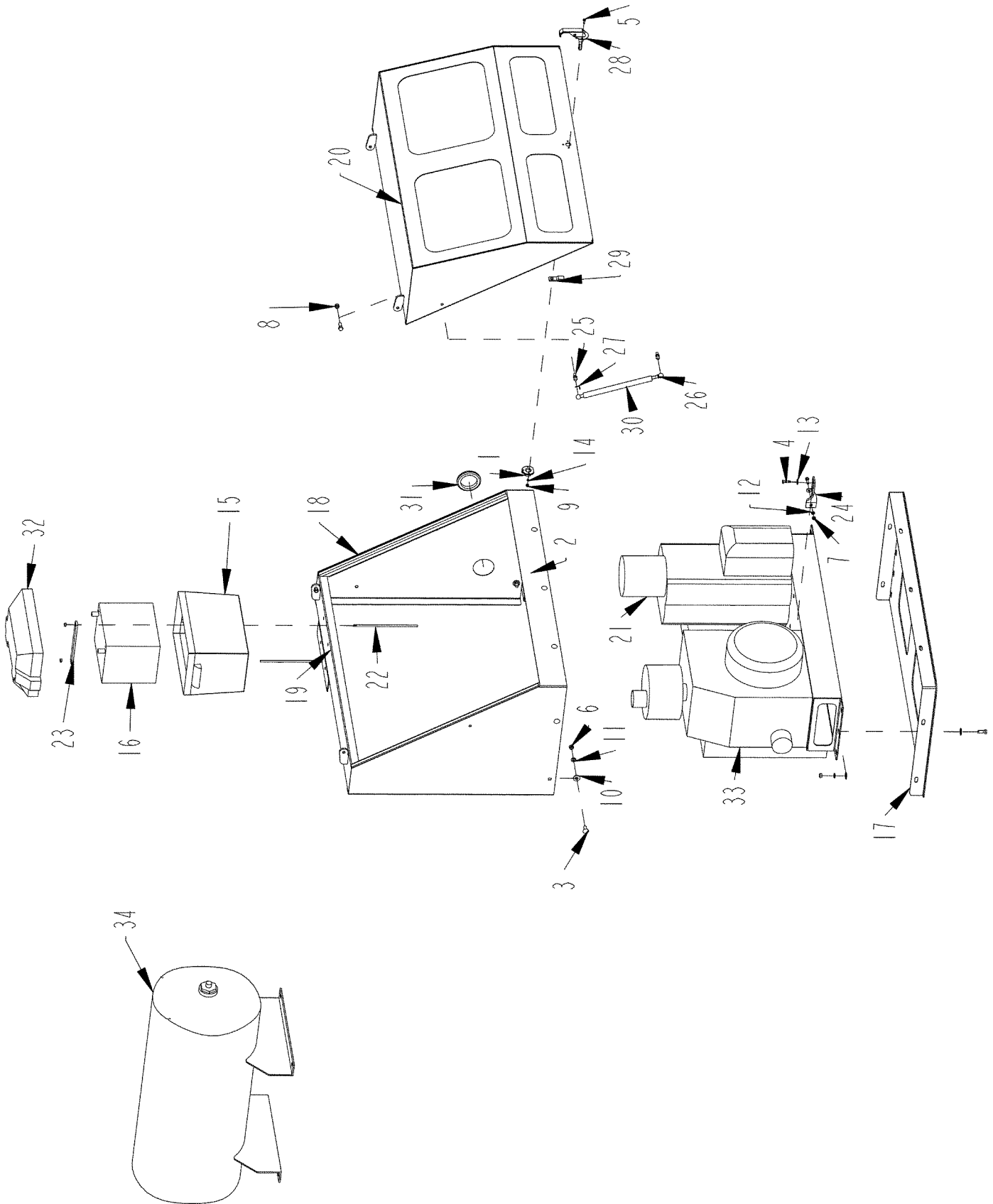
BELLY BELT ACCESS DOOR



BELLY BELT ACCESS DOOR

ITEM	PART	QTY.	PART DESCRIPTION
1	4703131	1	BRKTPIVOT\DOOR
2	4703579	2	HINGE\ASSY\FAB\3-1/2
3	4704046	1	FLANGE\REINFORCE\LATCH
4	4800003	4	BOLT\HEX\3/8X1
5	4800098	4	BOLT\HEX\3/8X1-1/4\NC
6	4800474	1	BOLT\CRG\5/16X1-1/4\NC
7	4800657	3	SCR\RD\PHL\#10-24X5/8
8	4900002	6	NUT\HEX\3/8\NC
9	4900003	3	NUT\HEX\5/16\NC
10	4900072	3	NUT\HEX\#10\NC
11	5000001	14	WASH\FLAT\3/8
12	5000019	8	WASH\LOCK\3/8
13	5000022	3	WASH\LOCK\5/16
14	5000071	8	WASH\LOCK;EXT\STAR\#10
15	7100944	2	DOOR\WELD\ACCESS\BELT\BELLY
16	7100981	1	PIN\CVR\HYD
17	7101057	1	CVR\PUMP\HYD\AUX
18	7500907	3	LATCH\COMP\HD\1.18-2.36
19	7500908	3	LATCH\COMP\HD\OFFSET;CAM
20	7500680	1	SPRNG\GAS\60LB\9416K173

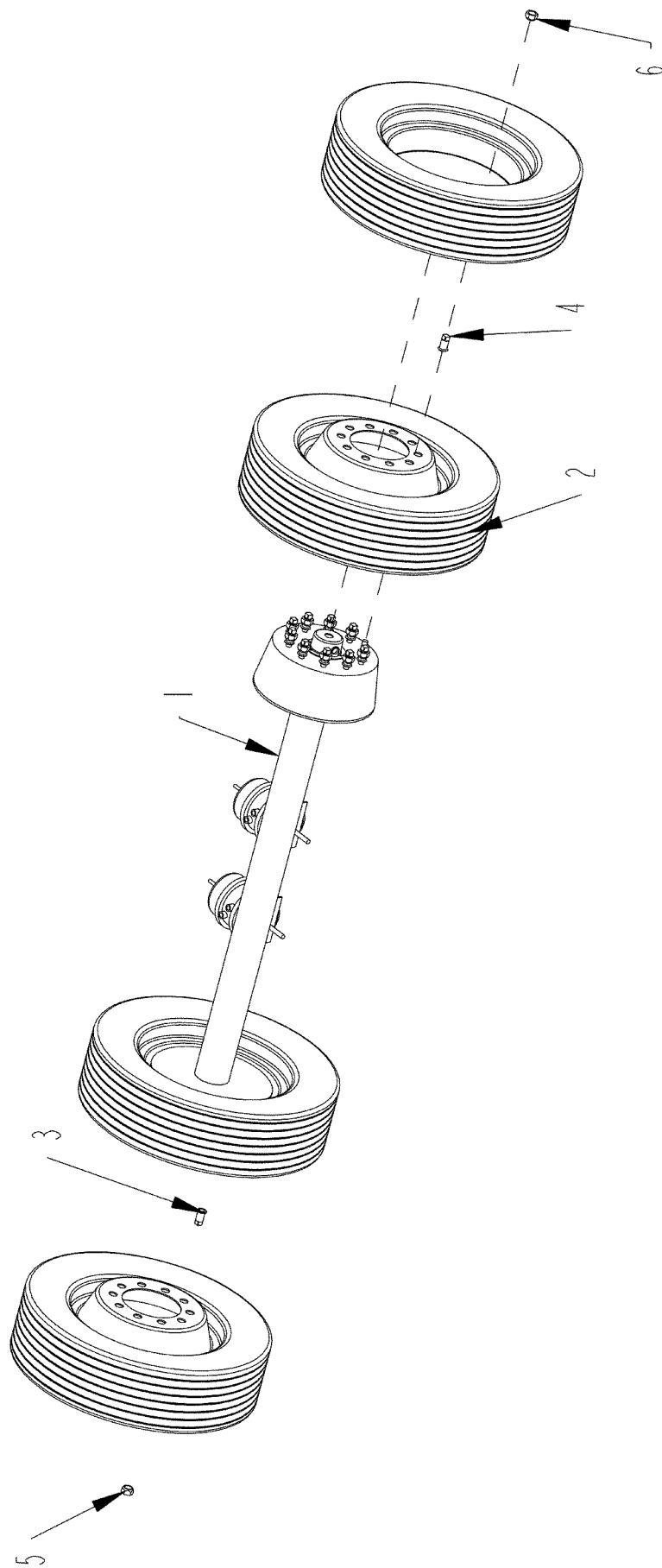
AIR COMPRESSOR



AIR COMPRESSOR

ITEM	PART	QTY.	PART DESCRIPTION
1	4704046	1	FLANGE\REINFORCE\LATCH
2	4800003	6	BOLT\HEX\3/8X1
3	4800053	7	BOLT\CRG\3/8X1\NC
4	4800277	2	BOLT\HEX\1/4X1
5	4800657	3	SCR\RD\PHL\#10-24X5/8
6	4900002	11	NUT\HEX\3/8\NC
7	4900009	6	NUT\HEX\1/4\NC
8	4900023	2	NUT\PLCK\3/8\NC
9	4900072	3	NUT\HEX\#10\NC
10	5000001	15	WASH\FLAT\3/8
11	5000019	11	WASH\LOCK\3/8
12	5000024	2	WASH\LOCK\1/4
13	5000035	2	WASH\FLAT\1/4
14	5000071	3	WASH\LOCK;EXT\STAR\#10
15	5700226	1	ENCL\BATT\PLSTC\GRP27
16	5700227	1	BATT\12\DC
17	7100972	1	BASE\COMP\AIR
18	7100973	1	COVER\COMP\AIR
19	7100974	1	TOP\COVER\COMP\AIR
20	7100975	1	DOOR\WANDAL
21	7100976	1	COMP\AIR
22	7100992	2	BATTERY\HOLDDOWN
23	7100993	1	STRAP\BATTERY
24	7101031	1	BRKT\COMP\AIR
25	7500664	4	BALL STUD\SHOCK\FITTING\M6
26	7500665	4	END FITTING\GAS SPRING \m6
27	7500666	4	SAFETY CLIP
28	7500907	1	LATCH\COMP\HD\1.18-2.36
29	7500908	1	LATCH\COMP\HD\OFFSET;CAM
30	7500934	2	SPRNG\GAS\90LB\9416K194
31	7501070	1	GRMMT\RBBR\3-1/8X2-1/2IDX1/2T
32	5700226	1	ENCL\BATT\PLSTC\GRP27
33	7500584A	1	COMP\AIR\12HP\GAS
34	7500584B	1	COMP\AIR\12HP\GAS

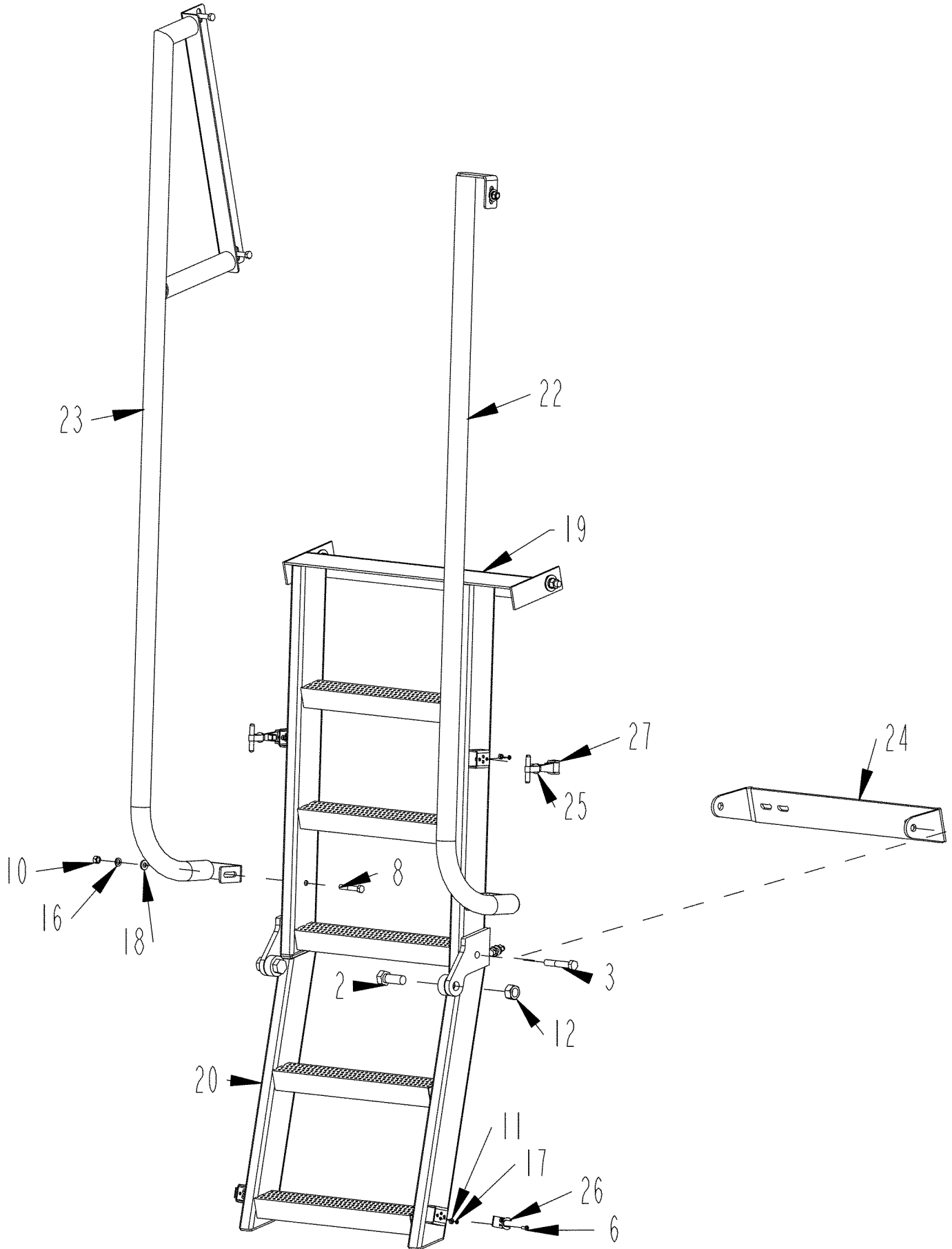
AXLE



AXLE

ITEM	PART	QTY.	PART DESCRIPTION
1	2500641	1	AXLE\22.5K\77.5HUBFACE\>
2	2600815	4	WHL\ASSY\255X70RX22.5\DUAL
3	4900162	10	NUT\WHL\3/4\INNER\RH
4	4900163	10	NUT\WHL\3/4\INNER\LH
5	4900164	10	NUT\WHL\3/4\OUTER\RH
6	4900165	10	NUT\WHL\3/4\OUTER\LH
NOT SHOWN			
	2500963		KIT\AIR\4012\COMMON;PARTS
	2500964		KIT\AIR\4012\US
	2500968		AXLE\TRPLE\SUS\22.5K\57.5

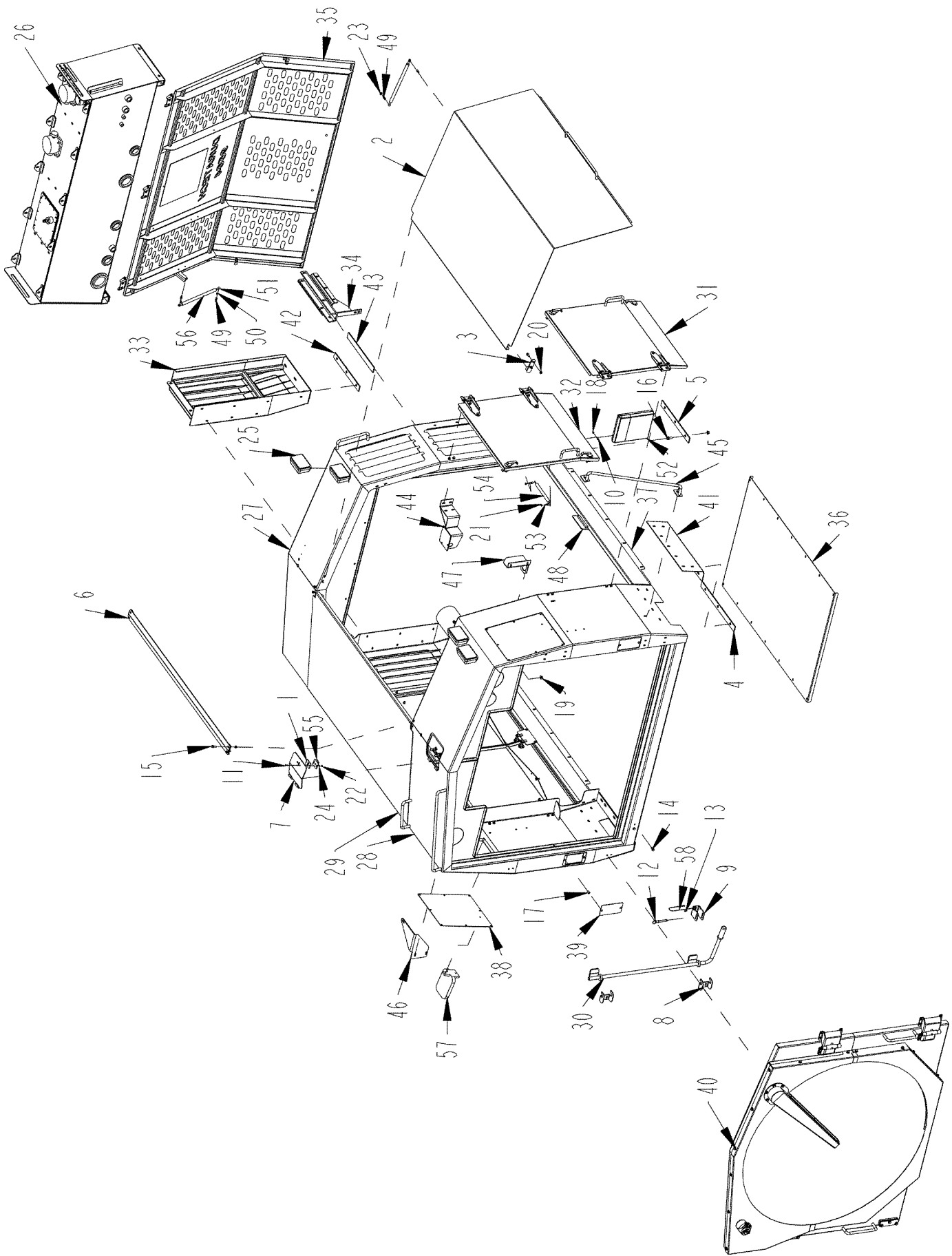
REAR ACCESS LADDER



REAR ACCESS LADDER

ITEM	PART	QTY.	PART DESCRIPTION
1	4800003	1	BOLT\HEX\3/8X1
2	4800033	2	BOLT\HEX\3/4X2
3	4800068	2	BOLT\HEX\1/2X3
4	4800082	2	BOLT\HEX\1/2X1-1/2
5	4800098	4	BOLT\HEX\3/8X1-1/4\NC
6	4800468	8	SCR\RD\SLOT\#10X1/2
7	4800514	2	BOLT\HEX\3/8X2-3/4
8	4800564	2	BOLT\HEX\3/8X2-1/4
9	4900001	4	NUT\HEX\1/2\NC
10	4900002	9	NUT\HEX\3/8\NC
11	4900072	8	NUT\HEX\#10\NC
12	4900139	2	NUT\TPLCK\3/4\GR8\NC
13	5000001	4	WASH\FLAT\3/8
14	5000004	4	WASH\FLAT\1/2
15	5000006	4	WASH\LOCK\1/2
16	5000019	9	WASH\LOCK\3/8
17	5000071	8	WASH\LOCK;EXT\STAR\#10
18	5000112	10	WASH\FLAT\3/8\EXTRTHK\GR8
19	7100919	1	LDDR\TOP\ACCESS\ENG\REAR
20	7100920	1	LDDR\BTM\ACCESS\ENG\REAR
21	7100921	1	LDDR\ACCESS\ENG\REAR
22	7100970	1	RAIL\HAND\ENG\FR
23	7100971	1	RAIL\HAND\ENG\REAR
24	7100980	1	GSST\LDDR\FR
25	7500606A	2	LATCH\RBBR\6
26	7500606B	2	LATCH\RBBR\CATCH\6
27	7500606C	2	LATCH\RBBR\MNT\6

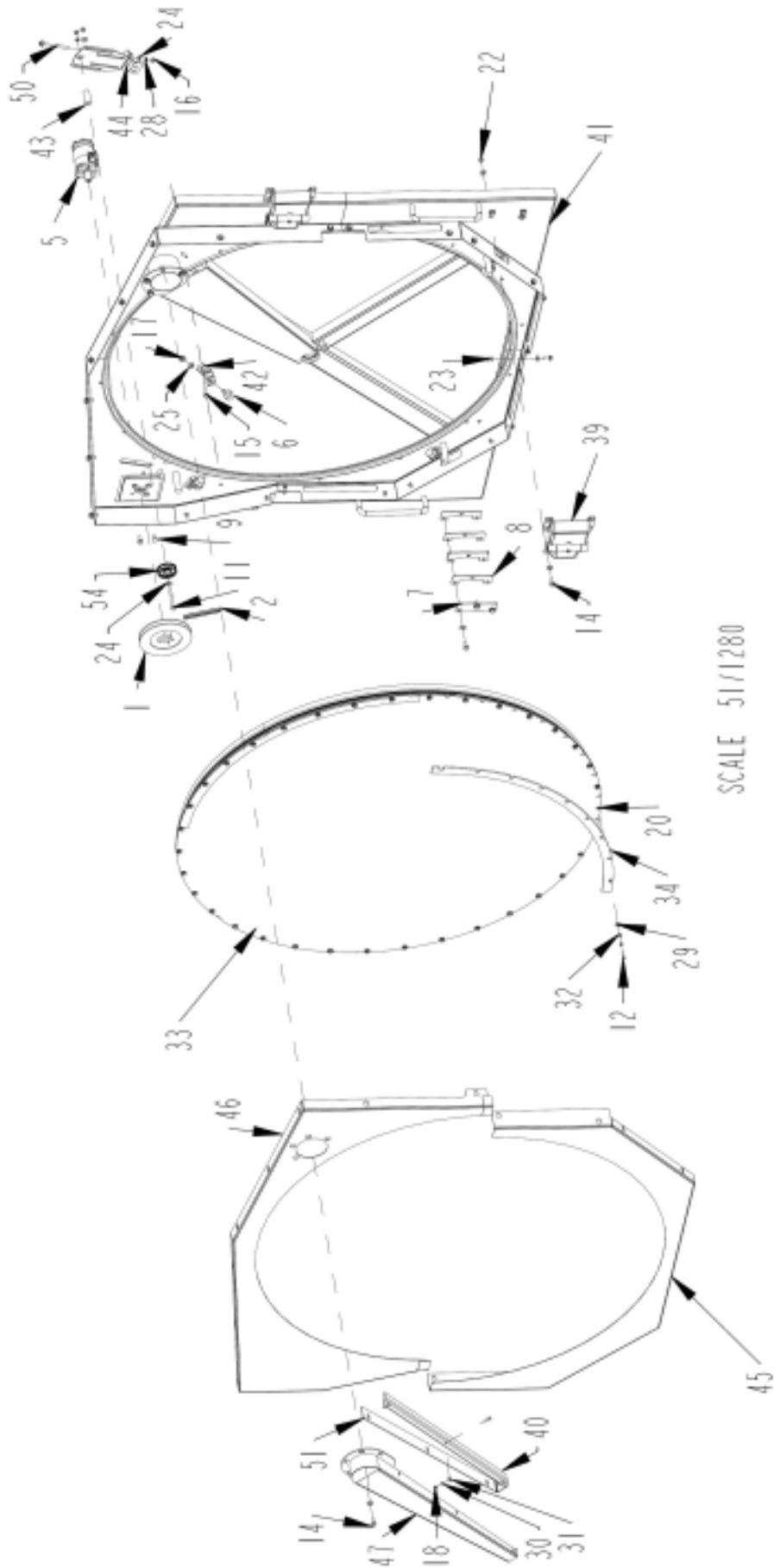
SHROUD AND GULL WING DOORS



SHROUD AND GULL WING DOORS

ITEM	PART	QTY.	PART DESCRIPTION
1	4702287	1	SHIM\LATCH\SLAM7GA
2	4703129	1	COVER\ENGLH
3	4703131	4	BRKT\PIVOT\DOOR
4	4703136	2	BELT\CUSHION\SHROUD
5	4703137	2	BELT\CUSHION\SHROUD\REAR
6	4703142	1	CVR\RIDGE\SHROUD\ENG
7	4703599	1	CVR\RAD\8-7/8X8-7/8\WLDMNT
8	4703808	2	HINGE\LATCH\DOOR\SCRN\ROT
9	4703809	1	RTNR\LVR\LATCH\DOOR\SCRN
10	4800165	4	SCR\FLNG\SERR\1/4X1
11	4800594	2	SCR\PAN\SLOT#12X3/4NC
12	4800641	1	PIN\LOCK\SELF\1/2X2.5
13	4800642	1	RIV\POP\STL\3/16X11/16
14	4800913	26	BOLT\FLG\SERR\3/8X1\NC
15	4800914	4	BOLT\FLG\SERR\3/8X1-1/4\NC
16	4800928	6	BOLT\FLG\SERR\1/2X1-1/4\NC
17	4900082	16	NUT\INSERT\3/8\027X.150GR
18	4900084	4	NUT\TPLCK\1/4\NC
19	4900100	6	NUT\FLG\TPLCK\1/2\NC
20	4900109	28	NUT\FLG\TPLCK\3/8\NC
21	4900117	5	NUT\TPLCK\5/16\NF
22	4900146	2	NUT\TPLCK\#12\NC
23	4900167	4	NUT\FLG\5/16\WIDEBASE
24	5000108	2	WASH\FLAT#12
25	5700317	4	LAMP\HALOGEN\4X6\24V
26	7100867	1	TANK\OIL\C27/32
27	7100870	1	SHROUD\ENGINE\REAR
28	7100871	1	SHROUD\ENGINE\FRONT
29	7100872	1	COVER\ENGRH
30	7100879	1	LATCH\ASSY\DOOR\SCRN\ROT
31	7100882	2	ASSY\DOOR\LH\COMP\ENG
32	7100884	2	ASSY\DOOR\COMP\ENG
33	7100887	1	MNT\TANK\OIL\REAR\HORIZ
34	7100888	1	BRCKT\FRNT\TANK\OIL\HORIZ\C27
35	7100890	1	DOOR\REAR\SHROUD\HORIZ\C27
36	7100917	1	PAN\CLOSURE\ENG\C27/32
37	7100918	2	BTTM\REAR\SHROUD\C27/32\HORIZ
38	7100933	2	COVER\ACCESS\RAD\LEFT
39	7100934	2	COVER\ACCESS\RAD\RIGHT
40	7100941	1	DOOR\FR\SHRD\C27/32
41	7100951	2	MNT\SHRD\FRNT
42	7100952	1	BELT\CUSH\SHRD\REAR
43	7100953	2	BELT\CUSH\TANK\OIL
44	7100957	1	MNT\MANIFOLD\CLUTCH
45	7101028	1	HNDL\SHRD\LDDR
46	7101039	1	MNT\FILL\OIL\C27
47	7101082	1	VALVE\MNT\THERMO
48	7101134	2	STOP\DOOR\SHROUD
49	7500345	4	BALL STUD
50	7500346	2	SAFETY CLIP
51	7500583	2	END FITTING\GAS SPRING
52	7500590	1	ENCL\OPS\8-1/2X11X1-5/8
53	7500664	5	BALL STUD\SHOCK\FITTING\M6
54	7500680	2	SPRNG\GAS\60LB\9416K174
55	7500688	1	LATCH\SLAM\HEX\2100H
56	7500705	1	SPRNG\GAS\250LB\9416K224
57	7500779	2	STEP\FOLDING
58	7500882	1	CBL\ASSY\7/64X12

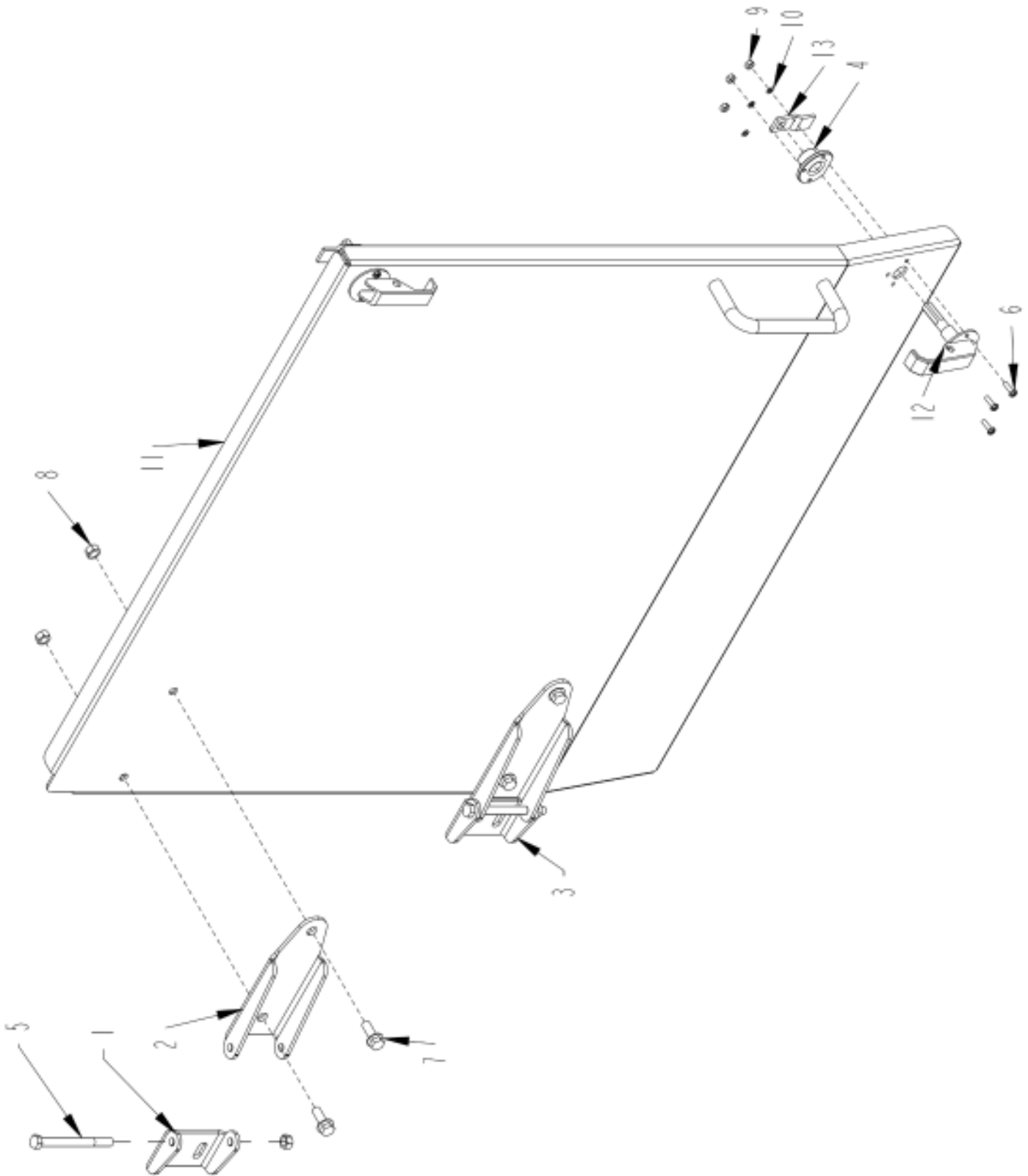
SHROUD FRONT DOOR



SHROUD FRONT DOOR

ITEM	PART	QTY.	PART DESCRIPTION
1	1400616	1	SHVE\BK-1\1"BORE
2	1600097	1	V-BELT\B225
3	2000082	2	BRG\BALL\SEALED\1.811X2.4409
4	3800043	2	FTG\LUB\1/8MPXZRK\SHORT
5	3900031	1	MTR\HYD\101-1011\5.9CI
6	4600228	4	RLLR\GUIDE\LDDR\CAB
7	4703805	2	CAP\TAB\LATCH\DOOR\SCRN\ROT
8	4703830	6	MNT\LATCH\DOOR\SHIM
9	4800053	6	BOLT\CRG\3/8X1\NC
10	4800071	4	BOLT\HEX\5/16X1-1/4
11	4800197	1	BOLT\HEX\3/8X3-1/2
12	4800277	38	BOLT\HEX\1/4X1
13	4800456	2	PIN\RLLD\3/16X1-1/8
14	4800913	44	BOLT\FLG\SERR\3/8X1\NC
15	4800914	8	BOLT\FLG\SERR\3/8X1-1/4\NC
16	4900002	3	NUT\HEX\3/8\NC
17	4900007	4	NUT\HEX\1/2\NF
18	4900009	3	NUT\HEX\1/4\NC
19	4900027	4	NUT\FLG\TPLCK\5/16\NC
20	4900040	38	NUT\FLG\SERR\1/4\NC
21	4900042	2	NUT\JAM\1\NC
22	4900076	22	NUT\FLG\SERR\3/8\NC
23	4900082	26	NUT\INSERT\3/8\027X.150GR
24	5000001	55	WASH\FLAT\3/8
25	5000006	4	WASH\LOCK\1/2
26	5000007	2	WASH\1-1/4\MACH\BUSH
27	5000018	1	WASH\FLAT\1\10GA\1-1/2 O.D.
28	5000019	2	WASH\LOCK\3/8
29	5000023	35	WASH\FLAT\5/16
30	5000024	38	WASH\LOCK\1/4
31	5000035	3	WASH\FLAT\1/4
32	5000121	35	WASH\FLAT\1/4\EXTRTHK\GR8
33	7100527	1	SCREEN\ROTATING
34	7100528	1	SCREEN\ROTATING\ASSEMBLY
35	7100531	1	SCREEN\RADIATOR\FECON
36	7100651	2	HINGE\RAD\LONG
37	7100652	2	HINGE\RAD\SHORT
38	7100653	2	PIN\HINGE\RAD
39	7100654	2	HINGE\RAD
40	7100782	1	BRUSH\WIPER\RAD
41	7100881	1	MNT\DOOR\SCRN\ROT
42	7100932	4	BRCKT\BEARING\CAM
43	7100935	1	TENS\BELT\SCRN\ROT
44	7100936	1	BRCKT\TENS\BELT
45	7100937	1	CVR\BTTM\SCRN
46	7100938	1	COVER\TOP\SCRN
47	7100939	1	TUBE\SUCTION\RAD
48	7100959	2	STRAP\RETAINER\SCREEN\RADIATOR
49	7100960	2	STRAP\RETAINER\SCREEN\RADIATOR
50	7100991	1	BOLT\TENSION\BELT
51	7101020	1	SEAL\SUCTION\RAD
52	7101084	2	BRUSH\STRIP\3/8X103\NYLON
53	7101202	1	WASH\SPCR\1-1/2ODX1.21875IDX1/4THCK
54	7501077	1	SHEAVE\SCRN\RAD
	7100941		DOOR\FR\ASSY\C27\32

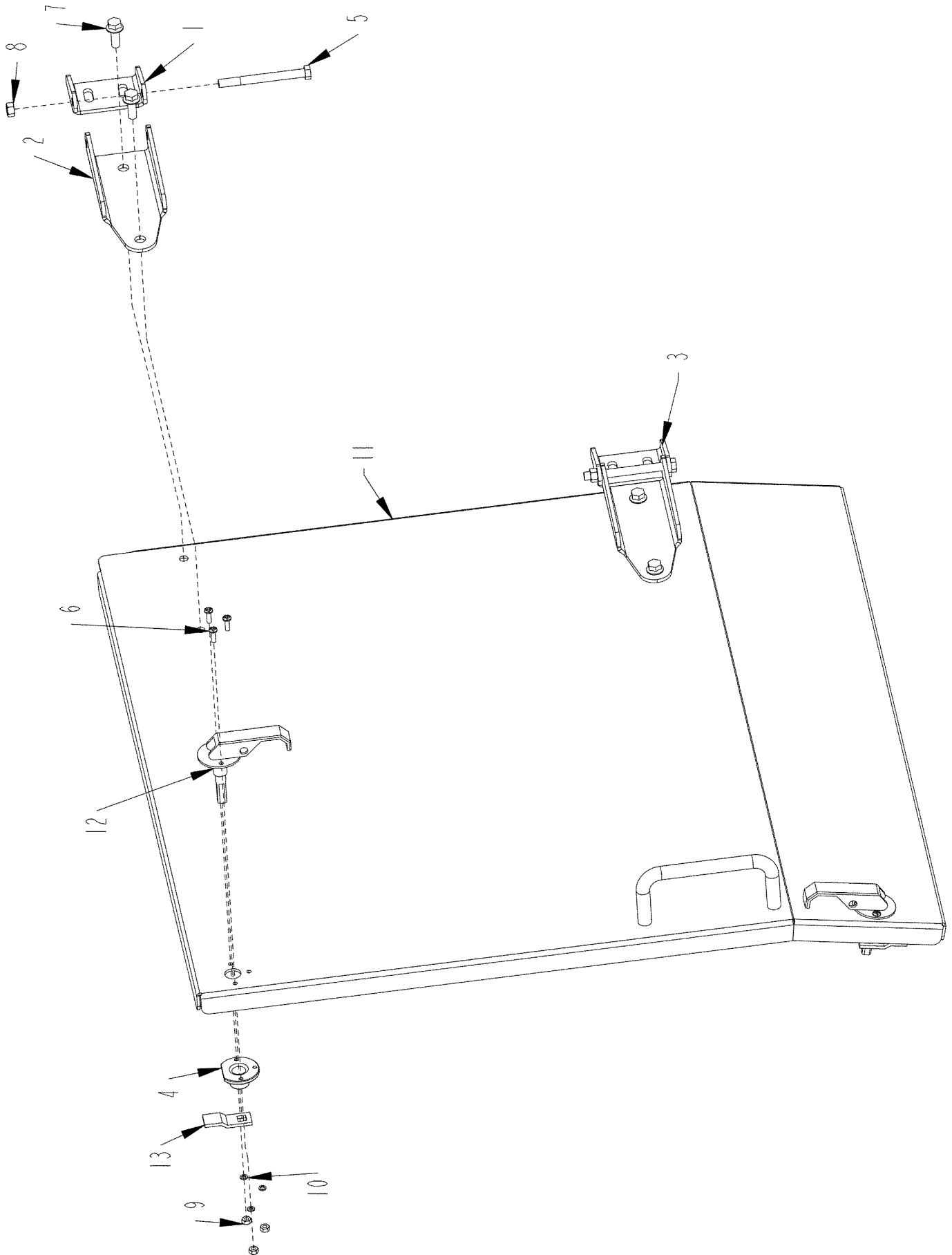
LEFT HAND ENGINE DOOR



LEFT HAND ENGINE DOOR

ITEM	PART	QTY.	PART DESCRIPTION
1	4703577	2	HINGE\FAB\3\BASE
2	4703578	2	HINGE\FAB\3-1/2\OUTER
3	4703579	2	HINGE\ASSY\FAB\3-1/2 (INCLUDES #1, #2, #5 & #8)
4	4704046	2	FLANGE\REINFORCE\LATCH
5	4800089	2	BOLT\HEX\3/8X4
6	4800657	6	SCR\RD\PHL\#10-24X5/8
7	4800913	4	BOLT\FLG\SERR\3/8X1\NC
8	4900023	6	NUT\TPLCK\3/8\NC
9	4900072	6	NUT\HEX\#10\NC
10	5000071	6	WASH\LOCK;EXT\STAR\#10
11	7100883	1	DOOR\ACCESS\ENGINE
12	7500907	2	LATCH\COMP\HD\1.18-2.36
13	7500908	2	LATCH\COMP\HD\OFFSET;CAM
	7100882		ASSY\DOOR\LH\COMPIENG

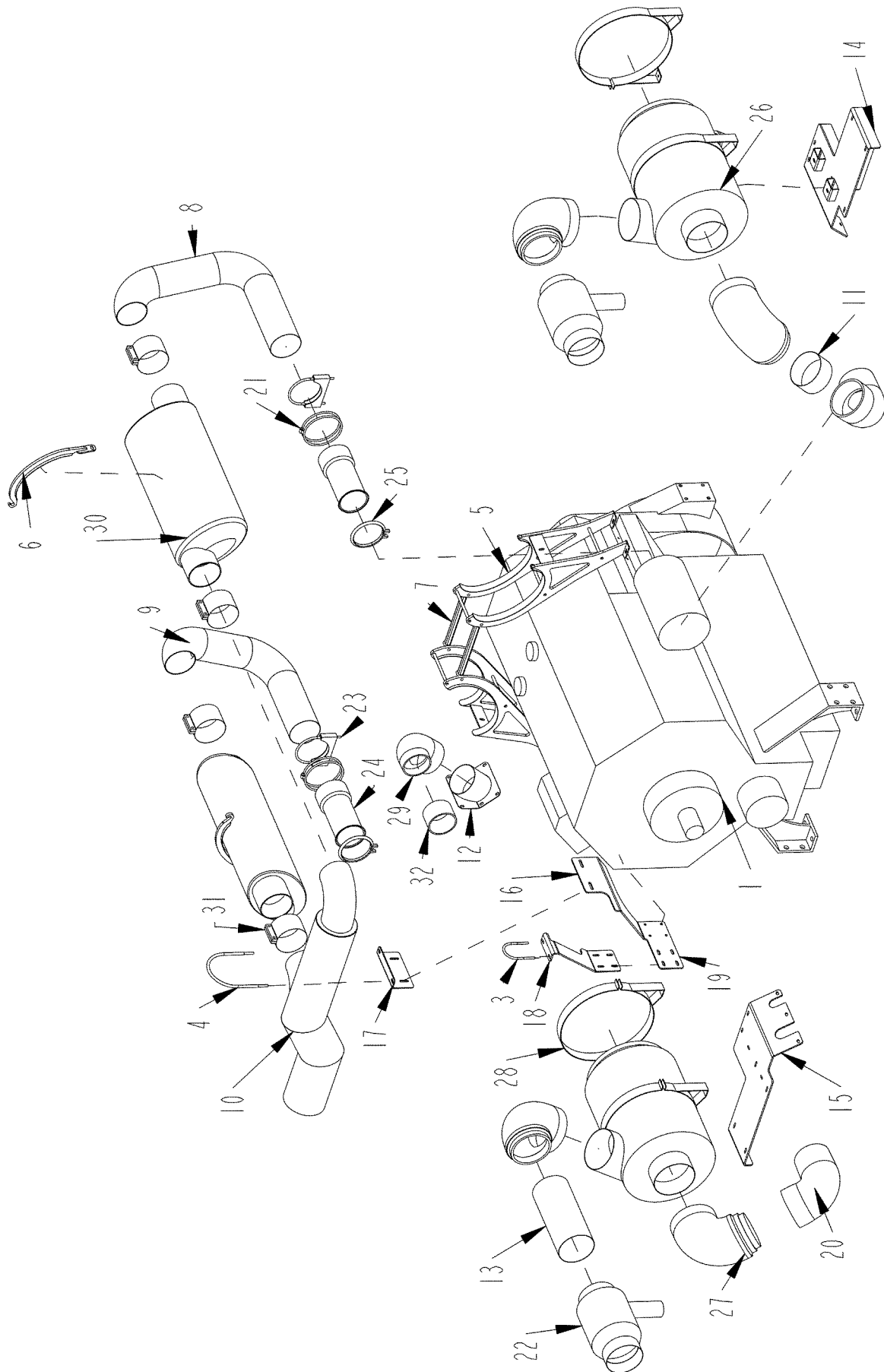
RIGHT HAND ENGINE DOOR



RIGHT HAND ENGINE DOOR

ITEM	PART	QTY.	PART DESCRIPTION
1	4703577	2	HINGE\FAB\3\BASE
2	4703578	2	HINGE\FAB\3-1/2\OUTER
3	4703579	2	HINGE\ASSY\FAB\3-1/2 (INCLUDES #1, #2, #5 & #8)
4	4704046	2	FLANGE\REINFORCE\LATCH
5	4800089	2	BOLT\HEX\3/8X4
6	4800657	6	SCR\RD\PHL\#10-24X5/8
7	4800913	4	BOLT\FLG\SERR\3/8X1\NC
8	4900023	6	NUT\TPLCK\3/8\NC
9	4900072	6	NUT\HEX\#10\NC
10	5000071	6	WASH\LOCK;EXT\STAR\#10
11	7100885	1	DOOR\ACCESS\ENGINE
12	7500907	2	LATCH\COMP\HD\1.18-2.36
13	7500908	2	LATCH\COMP\HD\OFFSET;CAM
	7100884		ASSY\DOOR\RH\COMP\ENG

ENGINE COMPARTMENT ASSEMBLY



ENGINE COMPARTMENT ASSEMBLY

ITEM	PART	QTY.	PART DESCRIPTION
1	0900153	1	ENG\CAT\C-27\950HP\TIER2\HRZNTLGRNDR
2	0900155	1	CLUTCH\FLEX\HPTO15TFO
3	4801222	1	BOLT\U\3\8X4X5-1\2
4	4801223	1	BOLT\U\1\2\8-3\4X10-3\8
5	7100856	2	BRCKT\MFFLR\C27_C32
6	7100859	2	TOP\BRCKT\MFFLR
7	7100860	2	STBLZR\BRCKT\MFFLR
8	7100926	1	TUBE\EXH\LEFT
9	7100927	1	TUBE\EXH\RIGHT
10	7100928	1	TUBE\EXH\EXIT\LEFT
11	7100930	2	TUBE\AIR\INLET
12	7100940	1	TUBE\DRAWOFF\RAD
13	7100956	1	TUBE\AIR\ENG
14	7100963	1	MNT\FLTR\AIR\LEFT
15	7100964	1	MNT\FLTR\AIR\RIGHT
16	7100986	1	BASE\SPRT\EXH\AIR
17	7100987	1	BRCKT\SPprt\EXH
18	7100988	1	BRCKT\SPprt\AIR\CHRG
19	7100989	1	SPprt\EXH\AIR
20	7500922	2	FTG\RBBR\7TO6\90DEG\ELL
21	7500925	2	CLAMP\EXHAUST\6
22	7501066	2	SPRTR\INLINE\H001906
23	7501247	2	CLAMP\EXH\6\U-BOLT
24	7501272	2	EXH\CPLNG\FLEX\STRGHT
25	7501273	2	CLMP\EXH\V-BAND\5-3\4
26	7501274	2	AIRCLEANER\FRG\18"
27	7501276	4	90DEG REDUCING ELBOW
28	7501278	4	CLMP\AIRCLEANER\18"
29	7501279	1	FTG\RBBR\6TO5\90DEGELL
30	7501284	2	MFFLR\DONALDSON\M122300
31	7501327	4	CLAMP\EXH\6\BAND\FLAT
32	7501329	1	FTG\RBBR\5\STRGHT

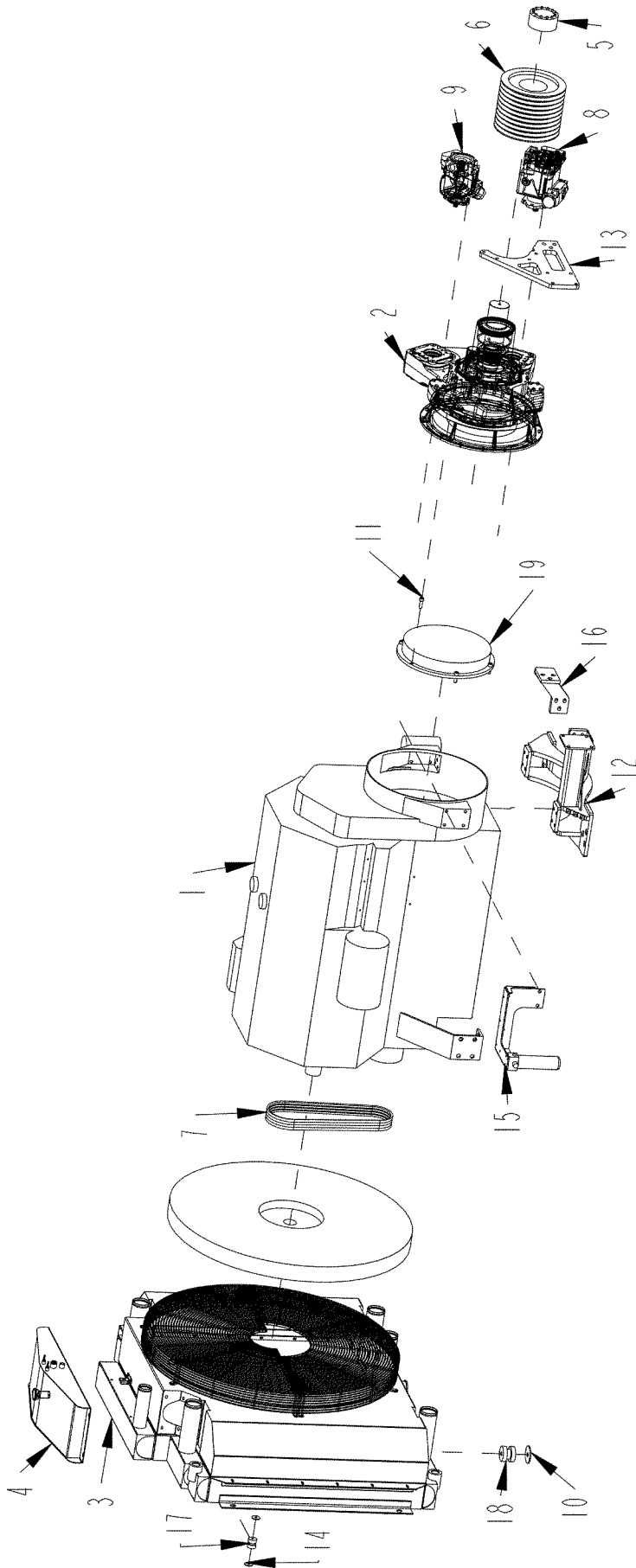
REPLACEMENT FILTER ELEMENT FOR 7501274

4400122	FLTR\ELMT\AIR\PRMRY\
4400123	FLTR\ELMT\AIR\SAFTY

REPLACEMENT FILTERS

4400117	FLTR\ELMT\OIL\CAT
4400125	FLTR\ELMT\FUEL\CAT
4400133	FLTR\FUEL\CAT\PRIMARY W\SPRTR

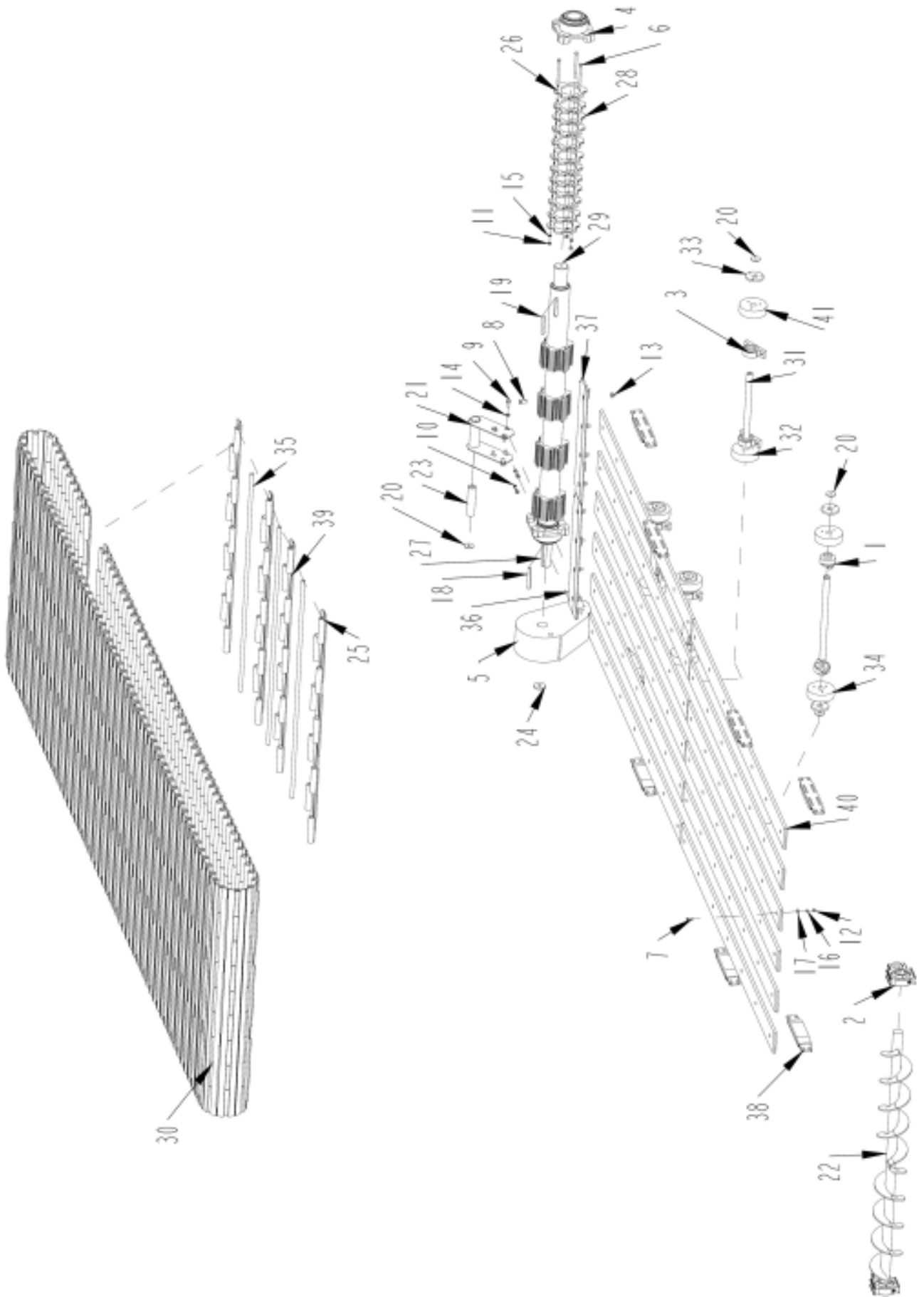
CLUTCH - PUMP - RADIATOR



CLUTCH - PUMP - RADIATOR

ITEM	PART	QTY.	PART DESCRIPTION
1	0900153	1	ENG\CAT\C-27\950HP\TIER2\HRZNTLGRNDR
2	0900155	1	CLUTCH\FLEX\HPTO15TFO
3	0900178	1	RAD\ENG\AKG\950HP\CAT
4	0900179	1	TANK\SURGE\RAD\AKG\950HP
5	1400613	1	BUSH\KEYLESS\EXP\4-1/2
6	1400631	1	SHVE\10/8V15\DYNAMICBAL
7	1600101	4	V-BELT\BX\66
8	4200119	1	PUMP\6.0CID\LOADSENSE
9	4200125	1	PUMP\HYD\4.00CID\LOADSNSE
10	4703181	2	WASH\SNUB\MNT
11	4800450	6	SCR\CAP\ALN\5/8X2\NC
12	7100911	1	MNT\ENG\REAR\C27/32\HORIZ
13	7100958	1	BRCKT\SPPRT\CLUTCH\HPTO20TD
14	7100977	4	WASH\SNUB\1-7/8X17/32
15	7100978	1	MNT\FLTR\CLUTCH
16	7100985	1	ARM\SPPRT\CLTCH
17	7501183	2	CUSH\RBBR\1.87"ODX1.31"IDX390LB
18	7501281	2	CUSH\RBBR\3-1/2ODX2-7/8\>
19	7501286	1	CPLNG\FLEX\AC8.WN.F2K.18.86
NOT SHOWN			
	1600121	2	V-BELT\5/8VP\3150\PREDATOR
	4200157		RAD\HYD\OIL\CMPNT\0900153 (REPLACEMENT HYDRAULIC OIL COOLER)
	4200158		RAD\CLTCH\OIL\CMPNT\0900153 (REPLACEMENT CLUTCH OIL COOLER)

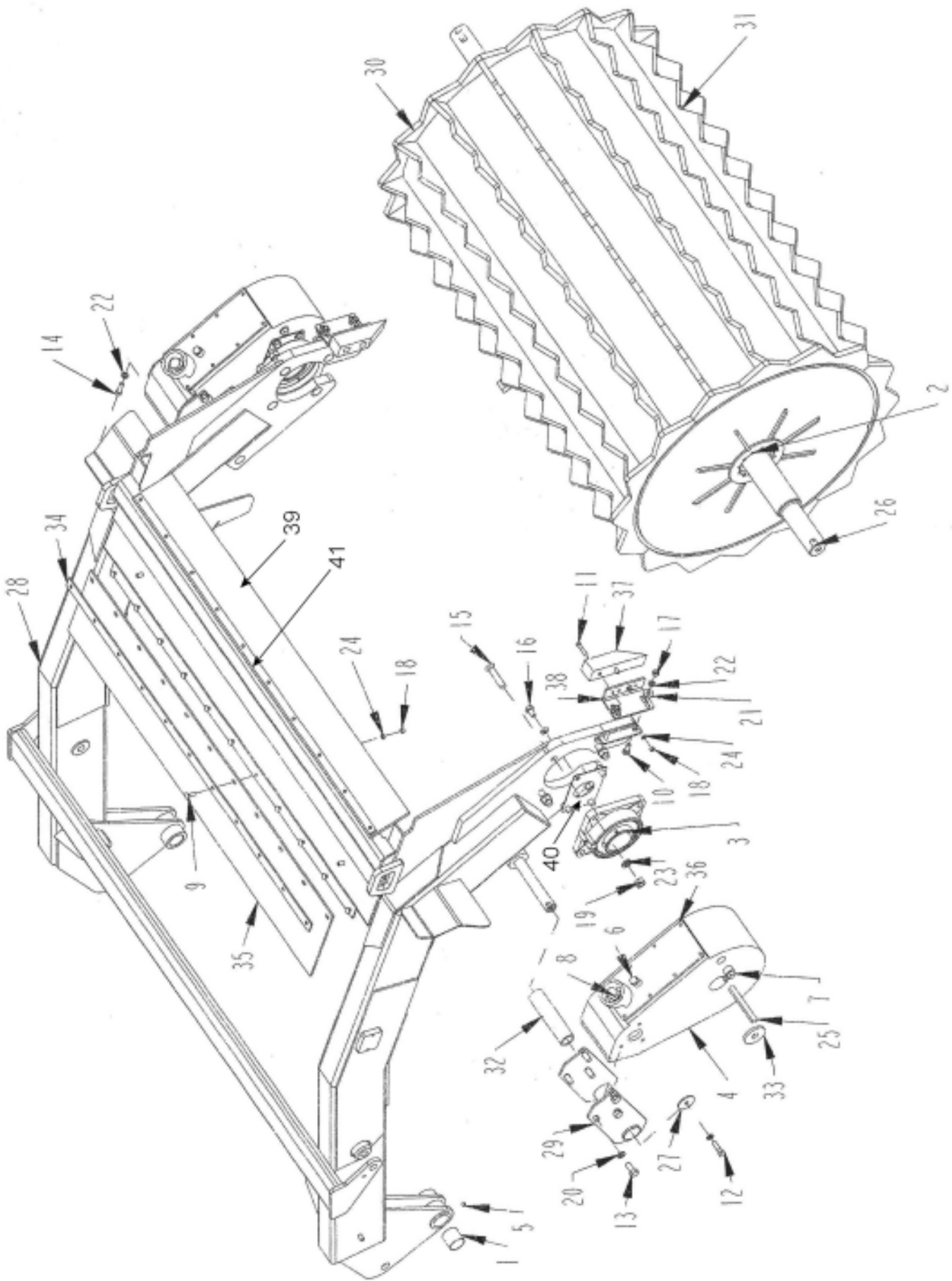
FEED FLOOR



FEED FLOOR

ITEM	PART	QTY.	PART DESCRIPTION
1	2000308	2	BRG\FLG\CAST1-1/2\2BOLT
2	2000330	2	BRG\TAKE UP\2-7/16\SET SCREW\BALL
3	2000511	6	BRG\PB\1-1/2\2BOLT\MALLEABLE
4	2000579	2	BRG\FLG\3-1/2\4-BOLT\RLLR
5	3100206 3100366	1	GRBX\BERMA\FECON SEAL\OIL\GRBX\BERMA\90/140/13 (SEAL GEARBOX 3100206)
6	4800080	15	BOLT\HEX\1/2X7
7	4800384	1	BOLT\PLOW\7/16X1-1/2
8	4800418	8	SCR\CSK\ALN\5/8X2
9	4800565	6	BOLT\HEX\M16XM35
10	4801208	2	SCR\CAP\ALNM12X40
11	4900001	15	NUT\HEX\1/2\NC
12	4900025	1	NUT\HEX\7/16\NC
13	4900178	8	NUT\FLG\TPLCK\5/8\GR8\NC
14	5000003	6	WASH\LOCK\5/8
15	5000006	17	WASH\LOCK\1/2
16	5000015	1	WASH\LOCK\7/16
17	5000016	1	WASH\FLAT\7/16
18	6200087	1	KEY\REC\11MMX18MMX6"
19	6200091	5	KEY\SQ\3/4X5
20	7100395	9	WASHER\ARM\TORQUE
21	7100428	1	ARM\TORQUE
22	7100442	1	ROLL\CLEANOUT\TENSIONER
23	7100487	1	TUBE\CUSHION\TORQUE
24	7100697	1	KEEPER\KEY\GEARBOX\BERMA
25	7101105	60	SLAT\FLR\FD
26	7101106	10	GEAR\END\DR\FLR
27	7101108	1	SHAFT\ROLL\DRIVE\FLOOR\FEED
28	7101109	50	GEAR\MID\DR\FLR
29	7101110	1	DR\FLR\FD
30	7101111	1	CHAIN\FLR\FEED
31	7101112	4	SHFT\RTRN\FLR
32	7101113	3	RLLR\RTRN\FLR\FD
33	7101114	8	WSH\RTRN\RLLR\RTRN
34	7101115	1	RLLR\RTRN\FLR\FD\FR
35	7101116	120	RD\HNGE\FLR
36	7101123	1	EDGE\CTTNG\FLR\RGHT
37	7101125	1	EDGE\CTTNG\FLR\LFT
38	7101126	8	GUIDE\FLR\SIDE
39	7101136	60	SLAT\FLR\FD\NO;TREAD
40	7501335	12	STRIP\WEAR\FLR\FEED
41	7501345	8	RLLR\NYLON\RTRN\FLR
	7101107		FLR\FEED\ASSY\9564

LIFT ARM ASSEMBLY



LIFT ARM ASSEMBLY

ITEM	PART	QTY.	PART DESCRIPTION
1	1400611	4	BUSH\2"ID X 2-3/16"OD X 2" L\GARLOCK
2	1400613	2	BUSH\KEYLESS\EXP\4-1/2
3	2000326	2	BRRG\FLANGE\4 BOLT\3-1/2\SET SCREWBALL
4	3100206	2	GRBX\BERMA\FECON
	3100366		SEAL\OIL\GRBX\BERMA\90/140/13 (SEAL FOR GEARBOX 3100206)
5	3800043	2	FTG\LUB\1/8MPXZRK\SHORT
6	3800490	2	FTG\3/4MOR\PLUG\HEX
7	3800515	4	FTG\1MP\PLUG\SQHEAD\LW
8	3800860	2	FTG\3/8MP\BRTHR\CHCK\3PSI
9	4800012	11	BOLT\CRG\3/8X1-1/4\NC
10	4800018	4	BOLT\HEX\1/2X1-1/4
11	4800142	4	BOLT\HEX\3/8X1-3/4
12	4800178	2	BOLT\HEX\1/2X1-3/4
13	4800565	12	BOLT\HEX\M16XM35
14	4801208	4	SCR\CAP\ALNM12X40
15	4801221	8	SCR\CSK\ALN\3/4X3-1/2\NC
16	4801235	8	BOLT\HEX\M16XM25
17	4900001	4	NUT\HEX\1/2\NC
18	4900002	15	NUT\HEX\3/8\NC
19	4900004	8	NUT\HEX\3/4\NC
20	5000003	20	WASH\LOCK\5/8
21	5000004	4	WASH\FLAT\1/2
22	5000006	10	WASH\LOCK\1/2
23	5000012	8	WASH\LOCK\3/4
24	5000019	15	WASH\LOCK\3/8
25	6200087	2	KEY\REC\11MMX18MMX6"
26	7100375	1	SHAFT\ROLL\FEED
27	7100395	2	WASHER\ARM\TORQUE
28	7100417	1	ARMLIFT
29	7100428	2	ARM\TORQUE
30	7100443	1	ROLL\FEED
31	7100486	1	ROLL\FEED\ASSEM (INCLUDES #2, #26 & #30)
32	7100487	2	TUBE\CUSHION\TORQUE
33	7100697	2	KEEPER\KEY\GEARBOX\BERMA
34	7100768	1	SH\FSTNR\BELT\ROLL\FEED
35	7100787	1	BELT\MAT\ARM\ROLL\FEED
36	7100858	2	COVER\GEARBOX\MODIFIED\COMP
37	7101047	2	BLCK\GUIDE\ARM\FEED
38	7101048	2	PL\MNT\PLSTC
39	7101142	1	BELT\DFLCTR\WHL\FD
40	7101147	2	CVR\SEAL\GRBX
41	7101149	1	STRP\RET\BLT\DEFL\WHL\FD

7100484

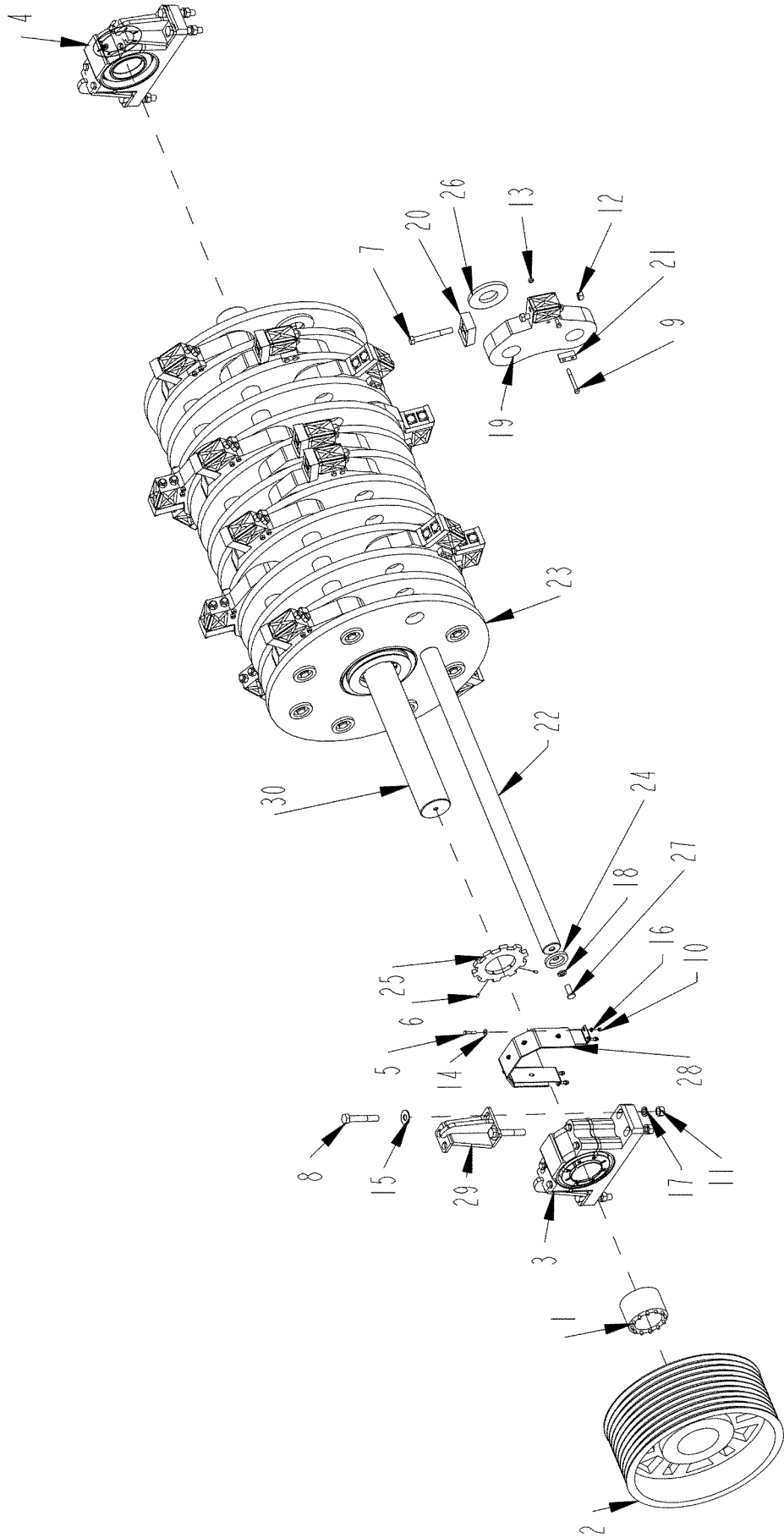
ARMLIFTASM

NOT SHOWN

4100346 2

CYL\HYD\3X20X1-1/2\PERP\SAE-8

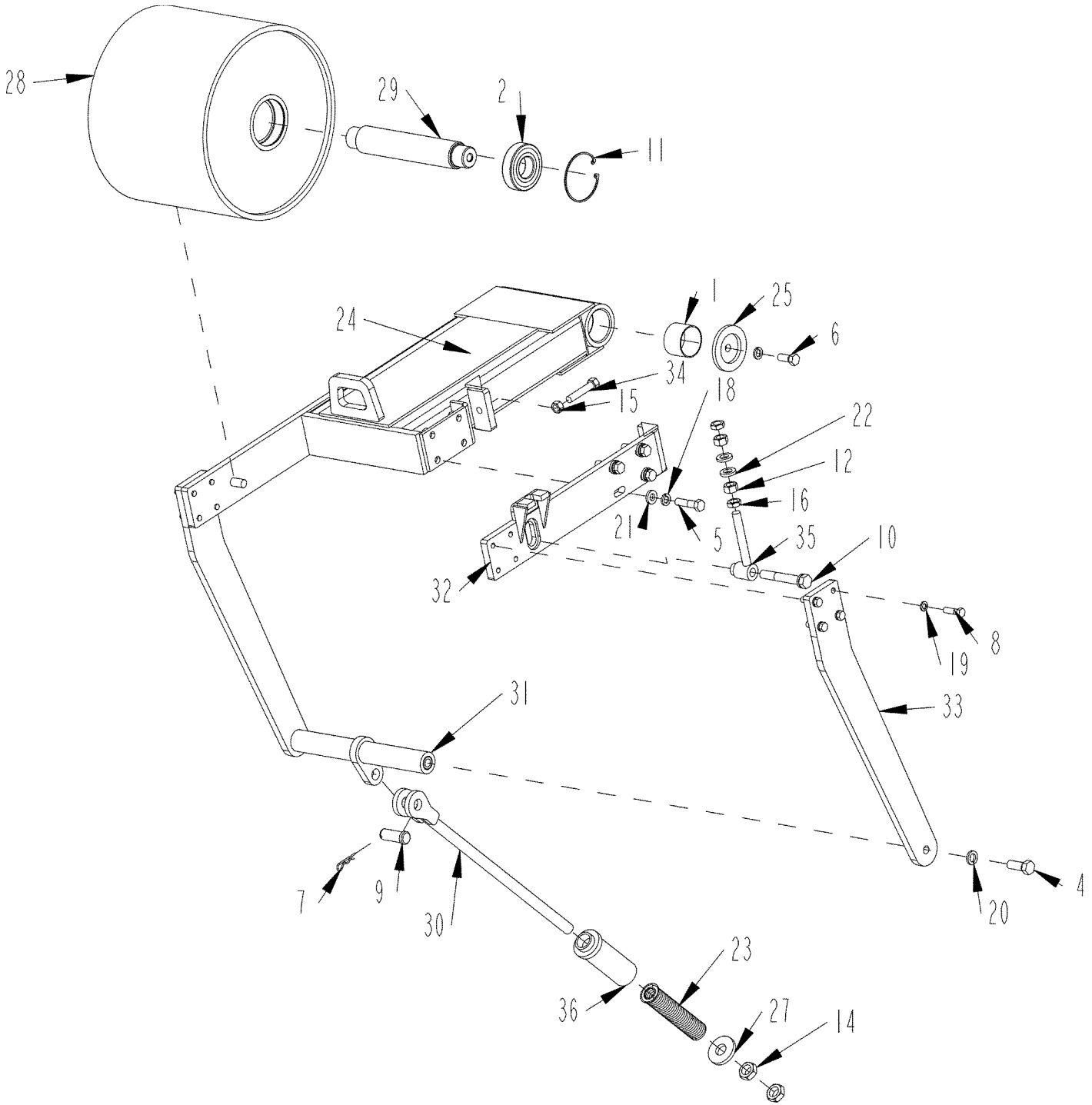
ROTOR ASSEMBLY



ROTOR ASSEMBLY

ITEM	PART	QTY.	PART DESCRIPTION
1	1400614	3	BUSH\ETBA-35A\5-7\16
2	1400630	1	SHVE\10\8V28.5\DYNAMICBAL
3	2000575	1	BRG\PB\5-7\16\IASAF\FIXED
4	2000576	1	BRG\PB\5-7\16\IASAF\EXP
5	4800146	4	BOLT\HEX\3\8X2
6	4800318	2	SCR\SET\ALN\5\16X3\4\NC
7	4800660	48	BOLT\HEX\7\8X7\NF
8	4801210	8	BOLT\HEX\1X6\GR8\NC
9	4801219	48	BOLT\HEX\1\2X4-1\2\GR8\NF
10	4900002	4	NUT\HEX\3\8\NC
11	4900122	8	NUT\HEX\1\GR8\NC
12	4900148	48	NUT\TPLCK\7\8\GR9\NF
13	4900183	48	NUT\TPLCK\1\2\NF\GR9
14	5000001	4	WASH\FLAT\3\8
15	5000014	8	WASH\FLAT\1
16	5000019	4	WASH\LOCK\3\8
17	5000053	8	WASH\LOCK\1
18	5000106	16	WASH\LOCK\7\8
19	5200183	24	HOLDER\TOOL\FIXED
20	5200232	24	HMMR\BIT\WOOD\2HOLE
21	5200236	24	HMMR\BIT\CUTTER\SIDE
22	7100376	8	SHAFT\FLAIL
23	7100456	1	ROTOR\WELDMENT
24	7100461	16	RETAINER\ROD\FLAIL\WELDMENT
25	7100536	1	WHEEL\PICKUP\SPEED
26	7100788	20	SPACER\HOLDER\TOOL
27	7100982	16	BOLT\RTR\MACHINED
28	7101071	1	HSG\CVR\PCKP\SPD
29	7101090	4	SPPRT\BRG\RTR
30	7501187	1	SHAFT\ROTOR\5-7\16X104-7\16
	7100457		ROTOR\ASSEMBLY (less bearings, sheave, speed wheel pick up & cover)
	7100983		RTR\ASSY\COMPLETE\9564
	Optional Tips		
	5200239	24	HMMR\TIP\SET\24\3-1\2\AGGRSSV
	5200240	24	HMMR\TIP\SET\24\3-1\2\CLAW
	5200249	24	HMMR\TEETH\2BOLT\9564 QUADCO

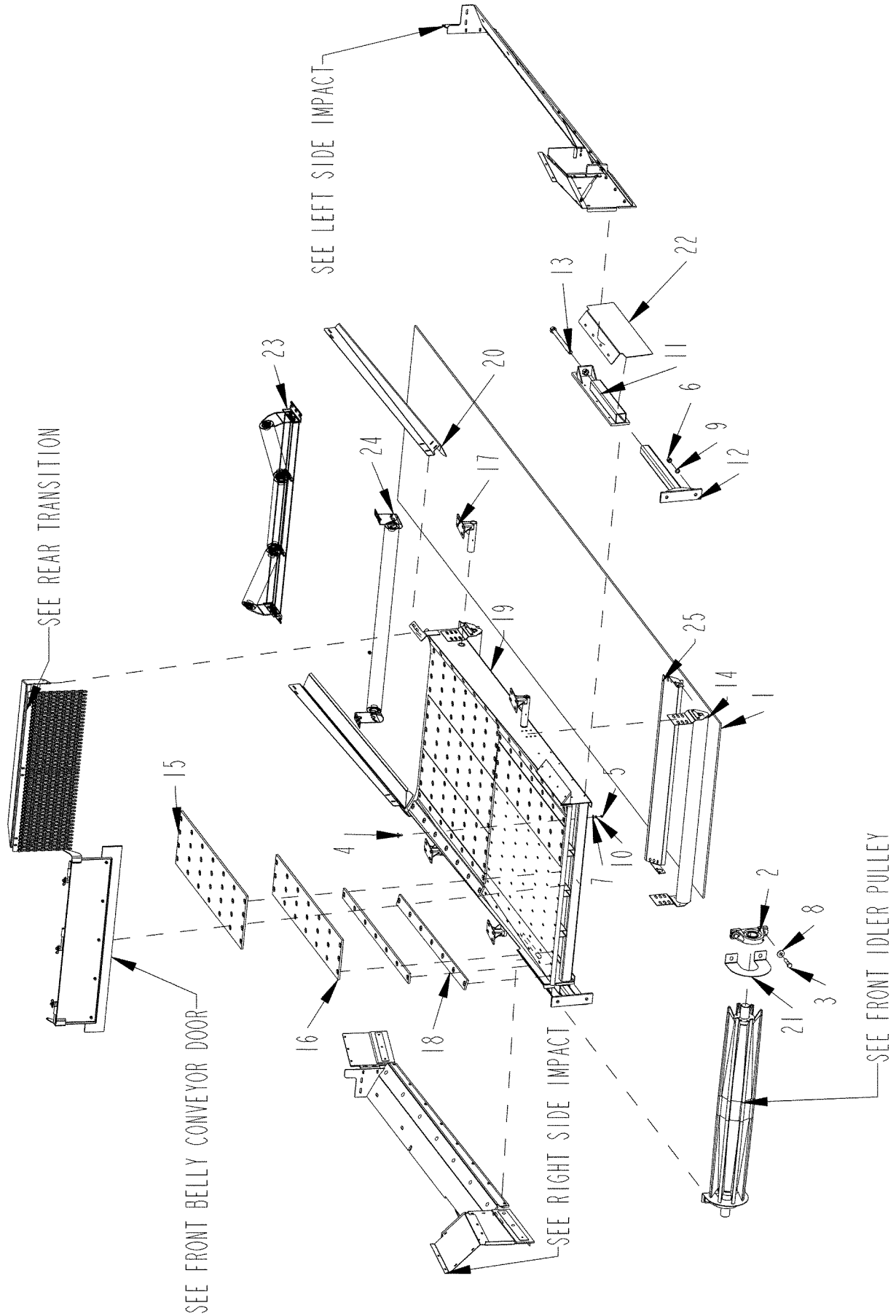
BELT TENSIONER



BELT TENSIONER

ITEM	PART	QTY.	PART DESCRIPTION
1	1400612	2	BUSH\2-3/4ID X 2-15/16 OD X 2 L\GARLOCK
2	2000331	2	BRG\RADIAL\50MM ID\BALL
3	3800043	1	FTG\LUB\1/8MPXZRK\SHORT
4	4800033	3	BOLT\HEX\3/4X2
5	4800079	4	BOLT\HEX\5/8X2-1/2
6	4800106	1	BOLT\HEX\5/8X1-1/2
7	4800107	1	PIN\HAIR\1/8(#9)
8	4800178	8	BOLT\HEX\1/2X1-3/4
9	4800181	1	PIN\CLEVIS\1X2-1/2
10	4800224	1	BOLT\HEX\3/4X5
11	4800952	2	SNPRNG\INT\110MMX.109
12	4900004	4	NUT\HEX\3/4\NC
13	4900005	1	NUT\HEX\5/8\NC
14	4900042	2	NUT\JAM\1\NC
15	4900047	1	NUT\JAM\5/8\NC
16	4900104	2	NUT\JAM\3/4\NC
17	4900110	4	NUT\FLG\SERR\5/8\NC
18	5000003	5	WASH\LOCK\5/8
19	5000006	8	WASH\LOCK\1/2
20	5000012	4	WASH\LOCK\3/4
21	5000114	4	WASH\FLAT\5/8\EXTRTHK\GR8
22	5000115	2	WASH\FLAT\3/4\EXTRTHK\GR8
23	6100085	1	SPG\2"ODx1"IDx8"L\26WIRE
24	7100423	1	ARM\TENSIONER\BELT
25	7100441	1	WASHER\PIVOT\TENSIONER\BELT
26	7100476	1	TENSIONER\BELT\DRIVE
27	7100646	1	RETAINER\WASHER\SPRING
28	7100892	1	ROLL\TENSIONER\BELT
29	7100893	1	SHAFT\ROLL\TENSIONER
30	7100905	1	ROD\TNSNR\BELT
31	7100994	1	ARM\CROSS\TNSR\BELT
32	7100995	1	ARM\SLIDE\TNSR\BELT
33	7100997	2	ARM\TNSR\BELT
34	7100999	1	PUSH\TNSR\BELT
35	7101000	1	ADJ\TENS\BELT
36	7101124	1	TUBE\TENS\SPRNG
	7100476		TENSIONER\BELT\DRIVE
	NOT SHOWN		
	1600121	2	V-BELT\5/8VP\3150\PREDATOR

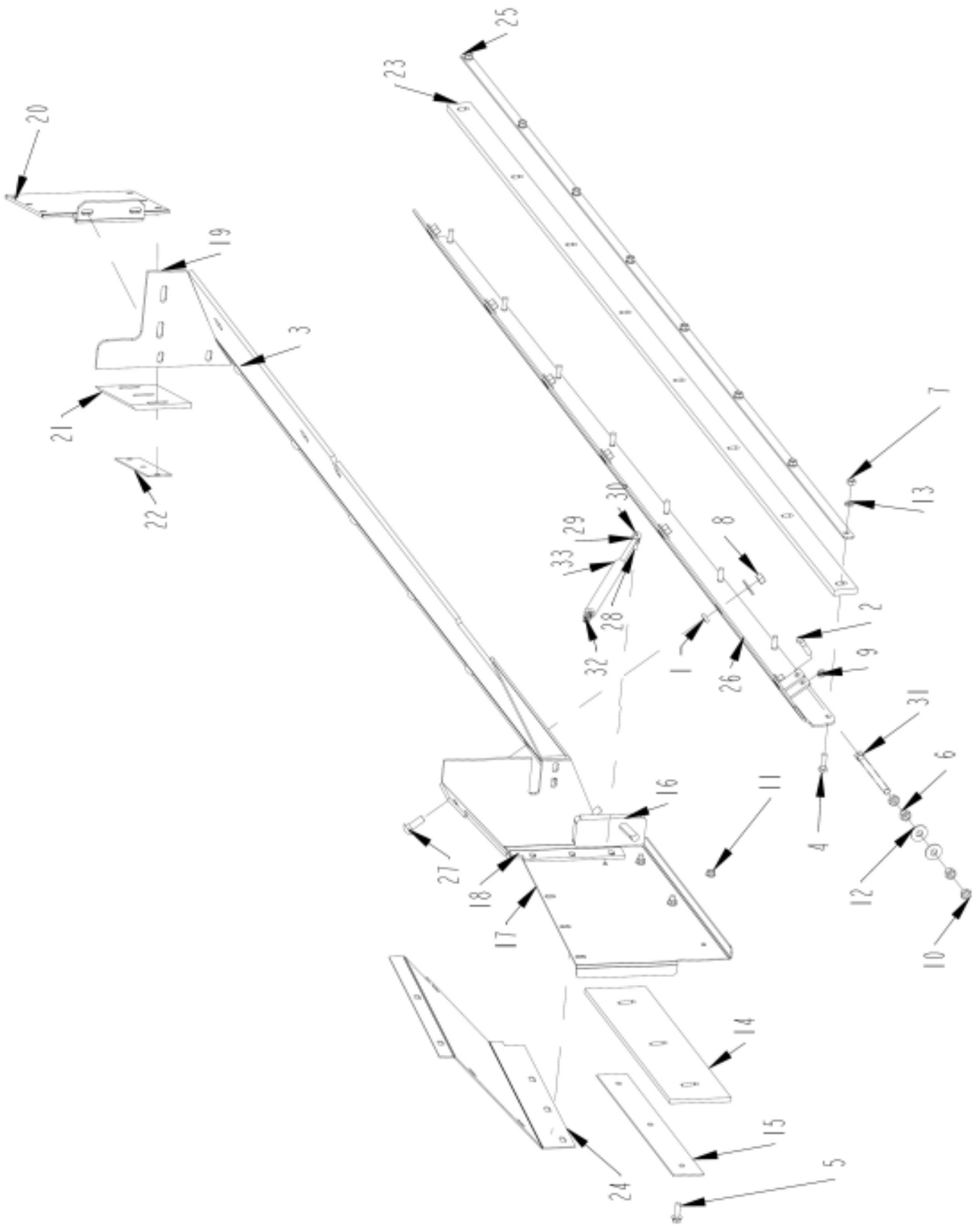
FRONT BELLY CONVEYOR



FRONT BELLY CONVEYOR

ITEM	PART	QTY.	PART DESCRIPTION
1	1700212	1	BELT\CNVYR\54X722/R5/SMOO
2	2000517	2	BRG\PB\2-7/16\SET SCREW\BALL
3	4800017	2	BOLT\HEX\3/4X3
4	4801193	1	BOLT\ELEVATOR\3/8X1-1/4
5	4900002	1	NUT\HEX\3/8\NC
6	4900004	2	NUT\HEX\3/4\NC
7	5000001	1	WASH\FLAT\3/8
8	5000005	2	WASH\FLAT\3/4
9	5000012	2	WASH\LOCK\3/4
10	5000019	1	WASH\LOCK\3/8
11	7100421	2	TNSNR\BELT\LOWER\CNVYR\TRNSFR
12	7100433	2	TENSIONER\BELT\CONVEYOR
13	7100435	3	BOLT\TENSIONER
14	7100491	2	RLLR\IDLR\4X54W\CHNNL MNT BRKT
15	7100513	2	WEAR\GAURD\TRANSFER\MIDDLE
16	7100514	4	WEAR\GAURD\TRANSFER\SIDES
17	7100517	4	MOUNT\CONVEYOR\TRANSFER\FRONT
18	7100523	8	WEAR\GAURD\TRANSFER\STRIPS
19	7100795	1	FRAME\IMPACT\CONV\BELLY
20	7100915	1	GUIDE\BELT\TRANS
21	7101017	2	SHLD\RLLR\FRNT
22	7101066	2	DEFL\MAT\BELT\BLLY
23	7501231	1	RLLR\TROUGH\54"\20DEG
24	7501233	1	RLLR\RET4"X54"W\BRACKETS
24A	7501398		CLIP\END\RLLR (REPLACEMENT CLIPS FOR 7501233)
24B	7501477		BRKT\DROP\RLLR (REPLACEMENT BRACKET FOR 7501233)
25	7501323	2	GRG\RLLR\TRRN\54
	7100797		CONV\BELLY\9564

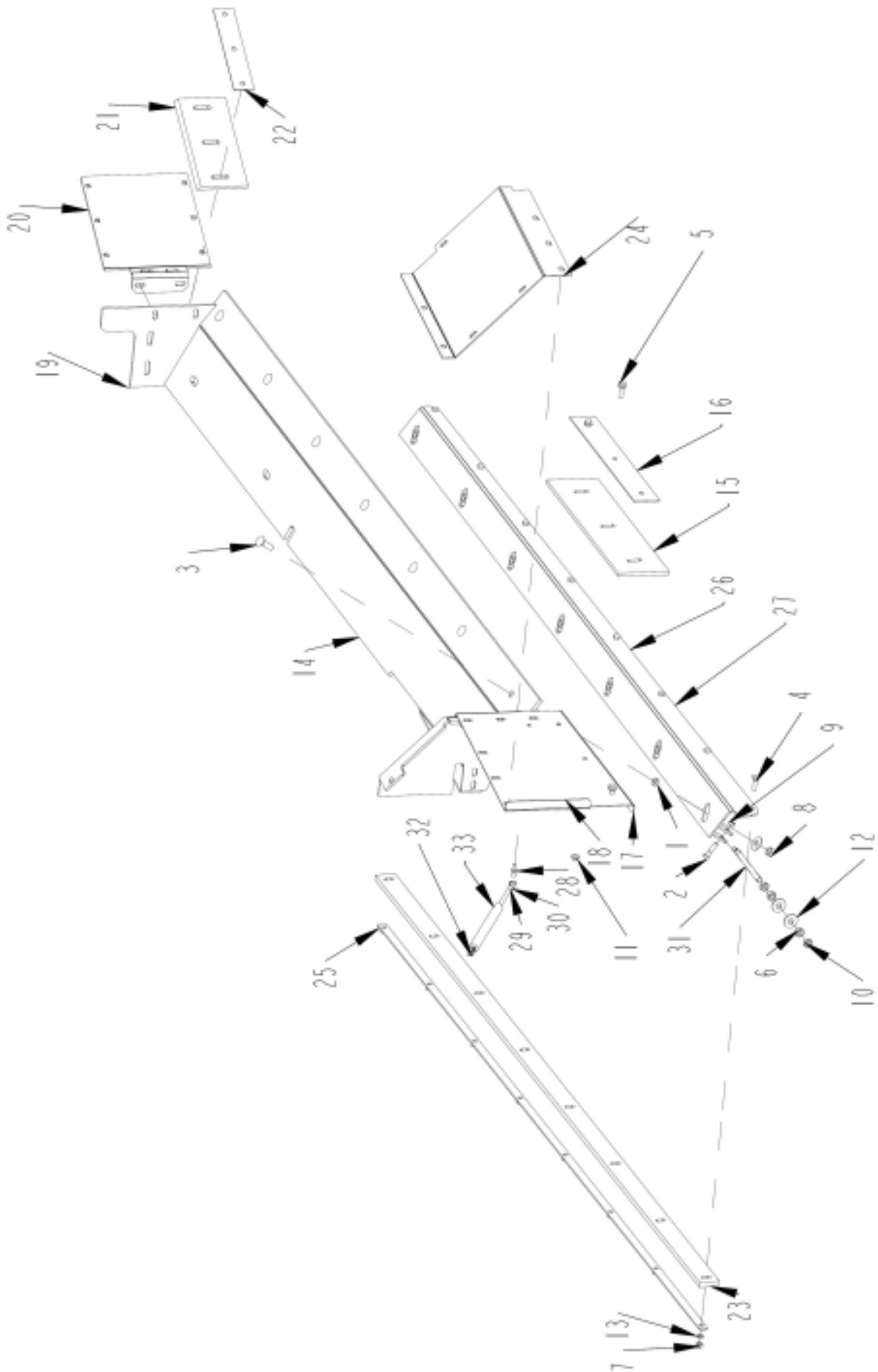
LEFT SIDE IMPACT



LEFT SIDE IMPACT

ITEM	PART	QTY.	PART DESCRIPTION
1	4703253	7	BUSH\ADJ\SEAL\BELT
2	4800034	1	BOLT\HEX\3/8X1-1/2
3	4800061	7	BOLT\CRG\1/2X1-1/2\NC
4	4800098	8	BOLT\HEX\3/8X1-1/4\NC
5	4800914	3	BOLT\FLG\SERR\3/8X1-1/4\NC
6	4900001	2	NUT\HEX\1/2\NC
7	4900002	8	NUT\HEX\3/8\NC
8	4900014	7	NUT\TPLCK\1/2\NC
9	4900023	1	NUT\TPLCK\3/8\NC
10	4900046	2	NUT\JAM\1/2\NC
11	4900109	3	NUT\FLG\TPLCK\3/8\NC
12	5000004	9	WASH\FLAT\1/2
13	5000019	8	WASH\LOCK\3/8
14	7100825	1	BELT\SEAL\CONV\BELLY\SIDE
15	7100828	1	STRAP\RETAINER\BELT\SIDE\CONV\BELLY
16	7100829	1	PL\IMPACT\CONV\BELLY\LEFT
17	7100833	1	SH\SEAL\SIDE\CONV\BELLY\LEFT
18	7100834	1	SEAL\SIDE\CONV\BELLY\LEFT\COMP
19	7100901	1	SHIELD\REAR\BOX\RTR
20	7101034	1	DFL\CNVYR\BLLY
21	7101035	1	BELT\SEAL\DFL\CNVYR\BLLY
22	7101036	1	RTNR\BLT\SEAL\CNVYR\BLLY
23	7101052	1	SEAL\CNVYR\BELLY\SKRTBRD
24	7101102	1	SH\FUNNEL\SEAL\CONV\BELLY\LEFT
25	7101129	1	STRP\RET\BLT\SKRBRD
26	7101132	1	SIDE\LFT\ADJ\SKRBRD\BLLY
27	7101133	1	ADJ\SKRBRD\BLLY\LFT
28	7500664	1	BALL STUD\SHOCK\FITTING\M6
29	7500665	1	END FITTING\GAS SPRING \m6
30	7500666	1	SAFETY CLIP
31	7500716	1	ROD\ARM
32	7501237	1	END\CLEVIS\SHOCK\GAS\M6
33	7500680	1	SPRNG\GAS\60LB\9416K173

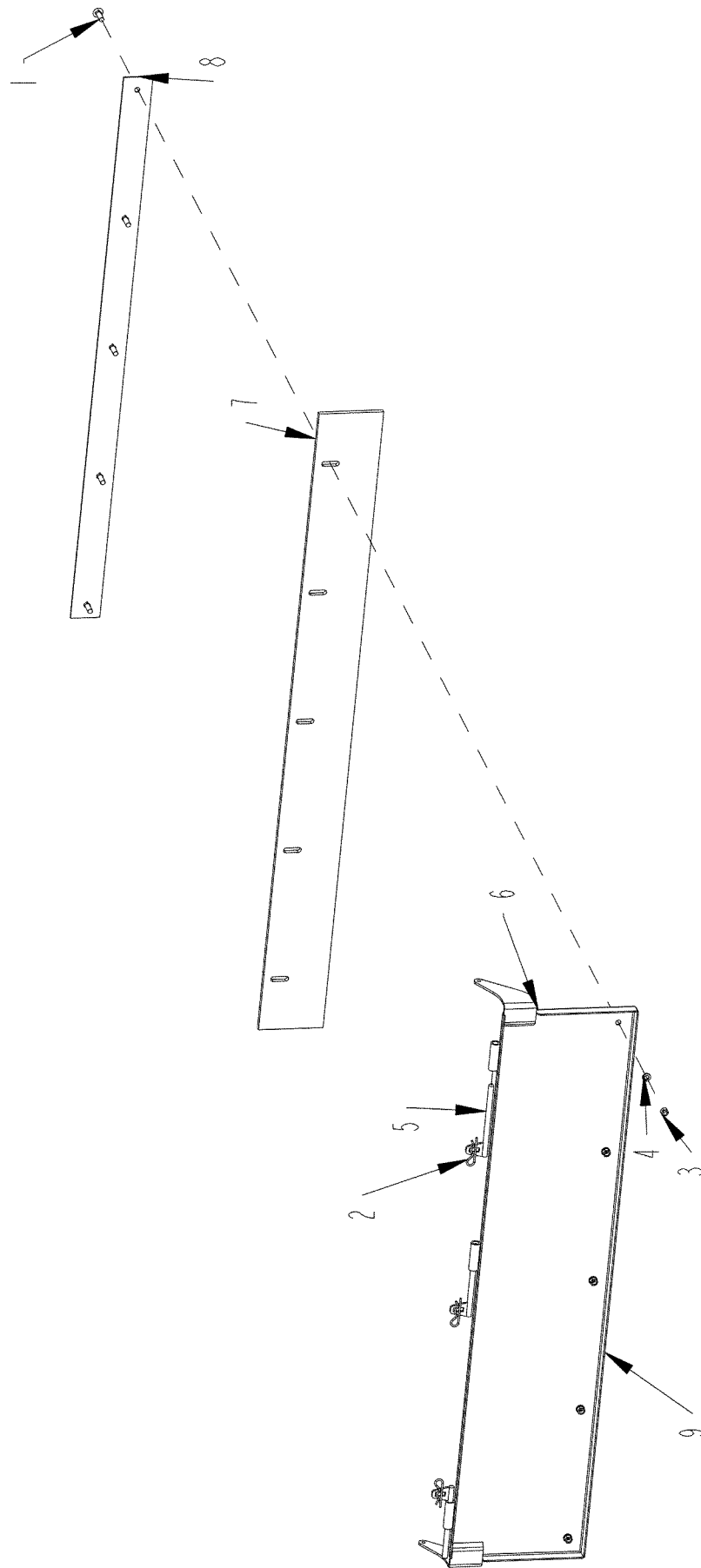
RIGHT SIDE IMPACT



RIGHT SIDE IMPACT

ITEM	PART	QTY.	PART DESCRIPTION
1	4703253	7	BUSH\ADJ\SEAL\BELT
2	4800034	1	BOLT\HEX\3/8X1-1/2
3	4800061	7	BOLT\CRG\1/2X1-1/2\NC
4	4800098	8	BOLT\HEX\3/8X1-1/4\NC
5	4800914	3	BOLT\FLG\SERR\3/8X1-1/4\NC
6	4900001	2	NUT\HEX\1/2\NC
7	4900002	8	NUT\HEX\3/8\NC
8	4900014	7	NUT\TPLCK\1/2\NC
9	4900023	1	NUT\TPLCK\3/8\NC
10	4900046	2	NUT\JAM\1/2\NC
11	4900109	3	NUT\FLG\TPLCK\3/8\NC
12	5000004	9	WASH\FLAT\1/2
13	5000019	8	WASH\LOCK\3/8
14	7100823	1	PL\IMPACT\CONV\BELLY\RIGHT
15	7100825	1	BELT\SEAL\CONV\BELLY\SIDE
16	7100828	1	STRAP\RETAINER\BELT\SIDE\CONV\BELLY
17	7100831	1	SH\SEAL\SIDE\CONV\BLLY\RIGHT
18	7100832	1	SEAL\SIDE\CONV\BELLY\RIGHT\COMP
19	7100901	1	SHIELD\REAR\BOX\RTR
20	7101034	1	DFL\CNVYR\BLLY
21	7101035	1	BELT\SEAL\DFL\CNVYR\BLLY
22	7101036	1	RTNR\BLT\SEAL\CNVYR\BLLY
23	7101052	1	SEAL\CNVYR\BELLY\SKRTBRD
24	7101103	1	SH\FUNNEL\SEAL\CONV\BELLY\RIGHT
25	7101129	1	STRP\RET\BLT\SKRBRD
26	7101130	1	SIDE\RGHT\ADJ\SKBRD\BLLY
27	7101131	1	ADJ\SKBRD\BLLY
28	7500664	1	BALL STUD\SHOCK\FITTING\M6
29	7500665	1	END FITTING\GAS SPRING \m6
30	7500666	1	SAFETY CLIP
31	7500716	1	ROD\ARM
32	7501237	2	END\CLEVIS\SHOCK\GAS\M6
33	7500680	1	SPRNG\GAS\60LB\9416K173

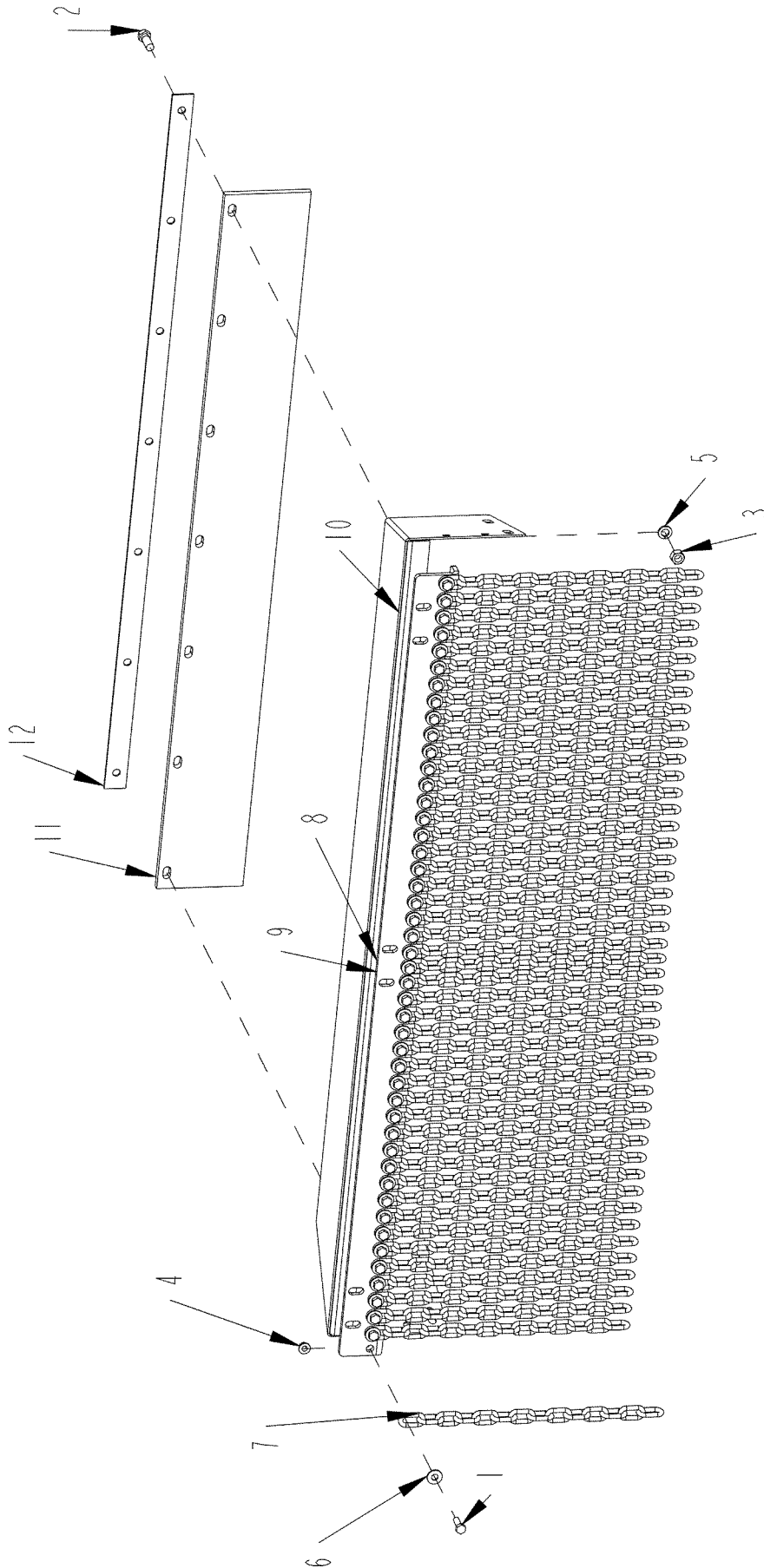
FRONT BELLY CONVEYOR DOOR



FRONT BELLY CONVEYOR DOOR

ITEM	PART	QTY.	PART DESCRIPTION
1	4800012	5	BOLT\CRG\3/8X1-1/4\NC
2	4800107	3	PIN\HAIR\1/8(#9)
3	4900002	5	NUT\HEX\3/8\NC
4	5000019	5	WASH\LOCK\3/8
5	7100753	3	HINGE\SEAL\CONVBELLY\FRONT
6	7100824	1	DOOR\FRONT\CONVBELLY
7	7100826	1	BELT\SEAL\DOOR\CONVBELLY
8	7100827	1	STRAP\RTNR\BELT\FRONT\CONVBELLY
9	7100830	1	DOOR\FRONT\CONVBELLY\COMP

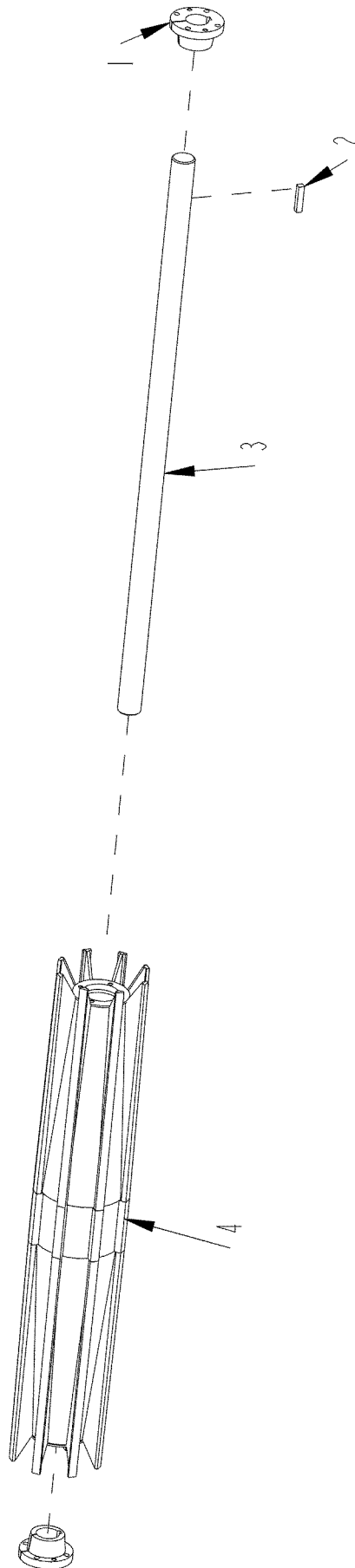
REAR TRANSITION



REAR TRANSITION

ITEM	PART	QTY.	PART DESCRIPTION
1	4800013	47	BOLT\HEX\5/16X1
2	4800160	1	BOLT\HEX\7/16X1-1/4
3	4900025	1	NUT\HEX\7/16\NC
4	4900108	47	NUT\FLG\SERR\5/16\NC
5	5000015	1	WASH\LOCK\7/16
6	5000023	47	WASH\FLAT\5/16
7	7100902	47	CHAIN\1/4\14LINK
8	7100903	1	CHNNLMNT\CHAIN\BOX\RTR\REAR
9	7100904	1	DEFL\CHAIN
10	7101049	1	CVR\TRNS\BELT\BELLY
11	7101050	1	DEFL\MID\CNVYR\BLLY
12	7101051	1	STRP\RTNR\BLT\CNVYR\BLLY

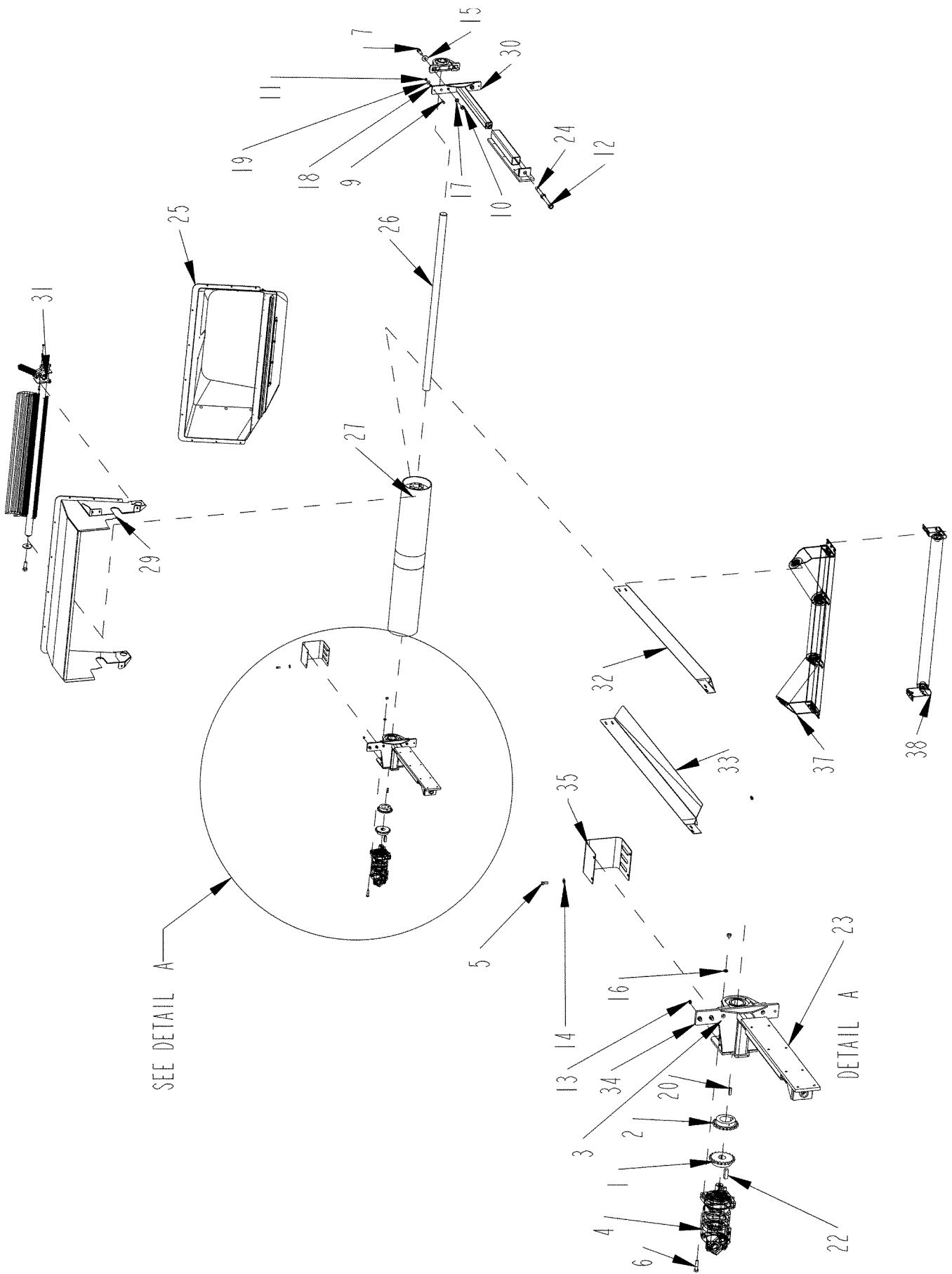
BELLY CONVEYOR FRONT IDLER PULLEY



BELLY CONVEYOR FRONT IDLER PULLEY

ITEM	PART	QTY.	PART DESCRIPTION
1	1400636	2	BUSH\HE30\2-7/16
2	6200028	2	KEY\SQ\5/8X3
3	7100631	1	SHAFT\PULLEY\TAIL\belly
4	7100633	1	RLLR\IDLR\WING\10X57W-2-7/16SHFT

REAR BELLY CONVEYOR



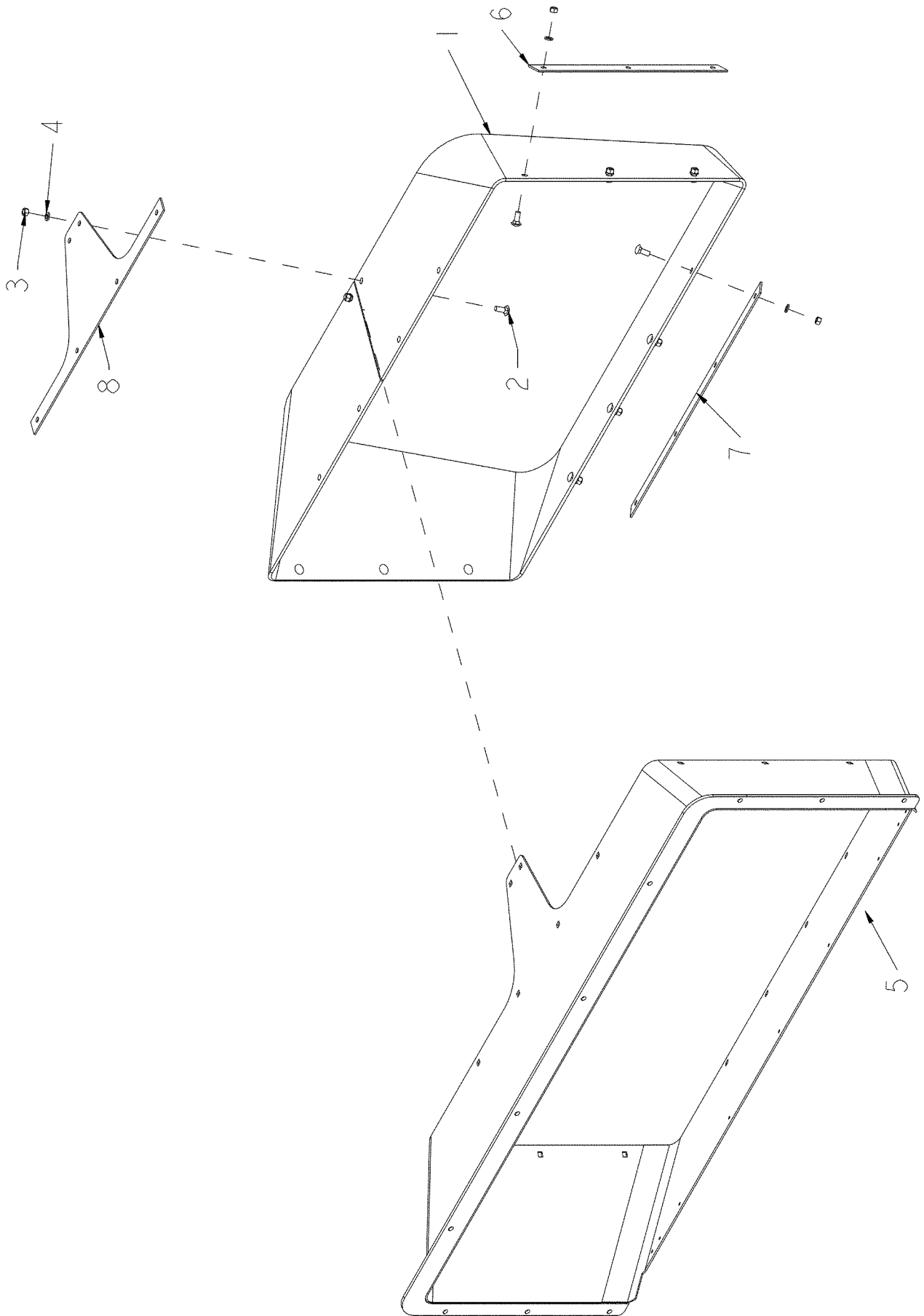
REAR BELLY CONVEYOR

ITEM	PART	QTY.	PART DESCRIPTION
1	1000085	1	SPKT\60\B\20\1-1/2\3/8
2	1000219	1	SPKT\60\B\20\2-7/16\5/8KW
3	2000517	2	BRG\PB\2-7/16\SET SCREW\BALL
4	3900044	1	MTR\HYD\23.9CID\SAE
5	4800003	5	BOLT\HEX\3/8X1
6	4800114	4	BOLT\HEX\1/2X2
7	4800115	2	BOLT\HEX\3/4X2-1/2
8	4800160	1	BOLT\HEX\7/16X1-1/4
9	4800253	4	BOLT\HEX\7/16X1-3/4
10	4900004	2	NUT\HEX\3/4\NC
11	4900025	5	NUT\HEX\7/16\NC
12	4900031	7	NUT\HEX\1\NC
13	4900090	4	NUT\FLG\3/8\NC
14	5000001	1	WASH\FLAT\3/8
15	5000005	2	WASH\FLAT\3/4
16	5000006	4	WASH\LOCK\1/2
17	5000012	2	WASH\LOCK\3/4
18	5000015	5	WASH\LOCK\7/16
19	5000016	4	WASH\FLAT\7/16
20	6200021	1	KEY\SQ\3/8X1-1/2\HARDEND
21	6200028	2	KEY\SQ\5/8X3
22	6200029	1	KEY\SQ\5/8X2
23	7100421	2	TNSNR\BELT\LOWER\CNVYR\TRNSFR
24	7100435	1	BOLT\TENSIONER
25	7100541	1	ASSY\GUIDE\MTRL\CNVYR\BELLY
26	7100629	1	SHAFT\PULLEY\HEAD\CNVYR\BELLY
27	7100634	1	RLLR\HEAD\10X56\3/8HERRINGBONELAG
28	7100797	1	CONV\BELLY\9564
29	7100798	1	CHUTE\TRANS\CONV\BELLY
30	7100799	1	TENSIONER\BELT\HEAD\BELLY
31	7100802	1	SCRAPER\CONV\BELLY
32	7101014	1	GUIDE\MAT\BELT\LFT
33	7101015	1	GUIDE\MAT\BELT\RHT
34	7101127	1	TENSIONER\BELT\HEAD\DR
35	7101128	1	CVR\DR\BELT\BLLY
36	7501166	1	RLLR\HEAD\10X56W\2-7/16 SHAFT\3/8" HERRINGBONE LAG
37	7501232	1	RLLR\TROUGH\54"\35DEG
38	7501233	1	RLLR\RET4"X54"W\BRACKETS
38A	7501398		CLIP\END\RLLR (REPLACEMENT CLIPS FOR 7501233)
38B	7501477		BRKT\DROP\RLLR (REPLACEMENT BRACKET FOR 7501233)

NOT SHOWN

1100193	CHAIN\60DBL\19
1100064	CHAIN\60DBL\CL

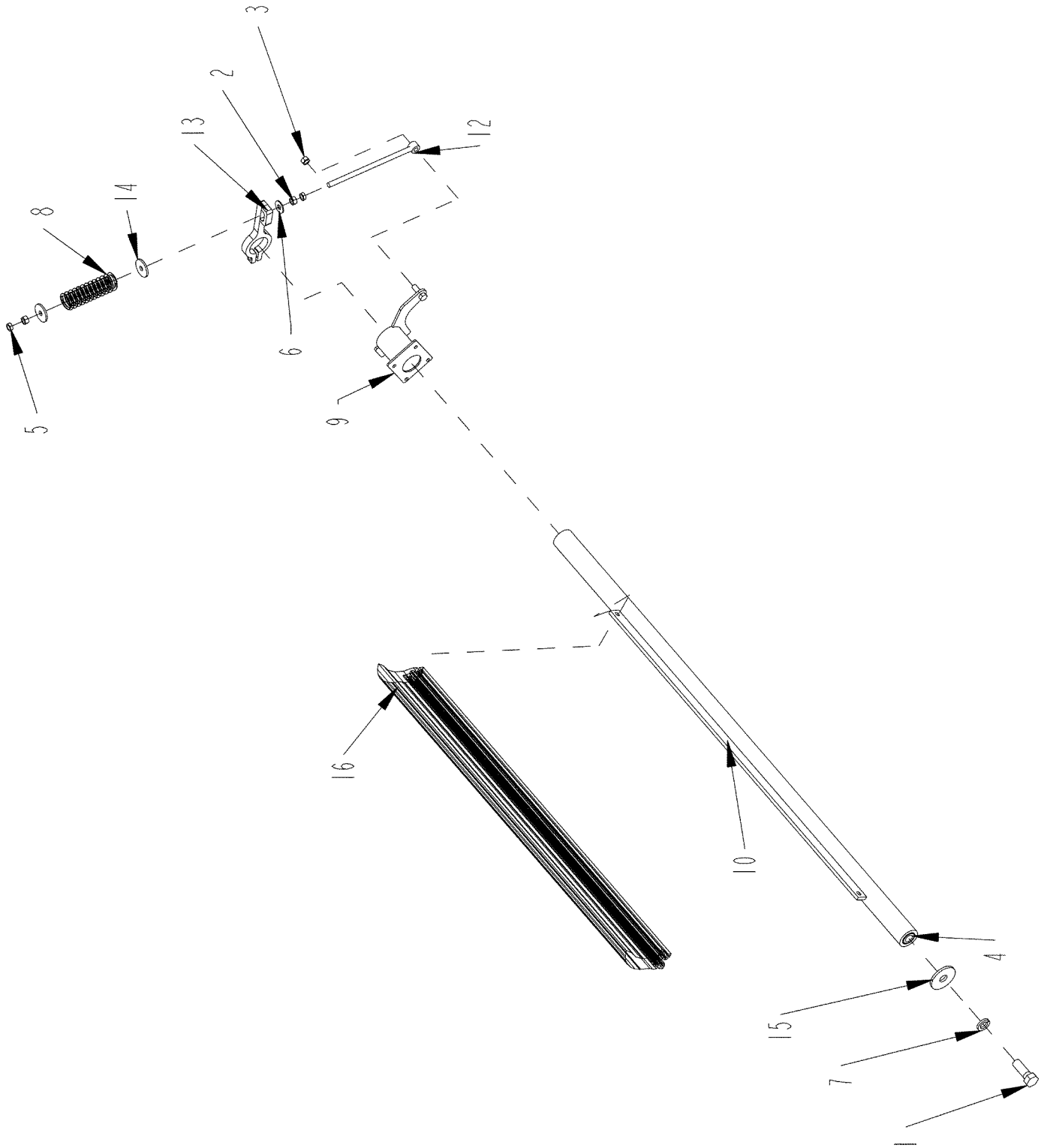
MATERIAL GUIDE



MATERIAL GUIDE

ITEM	PART	QTY.	PART DESCRIPTION
1	1700202	1	RBBR\GUIDE\MTRL\CNVYR\BELLY
2	4800053	12	BOLT\CRG\3/8X1\NC
3	4900002	9	NUT\HEX\3/8\NC
4	5000019	11	WASH\LOCK\3/8
5	7100542	1	CHUTE\CNVYR\BELLY
6	7100543	2	STRP\SUP\RBR\GD\MATERIAL
7	7100544	1	STRP\SUP\RBR\GD\MATERIAL
8	7100545	1	PL\SUP\RBR\GD\MATERIAL

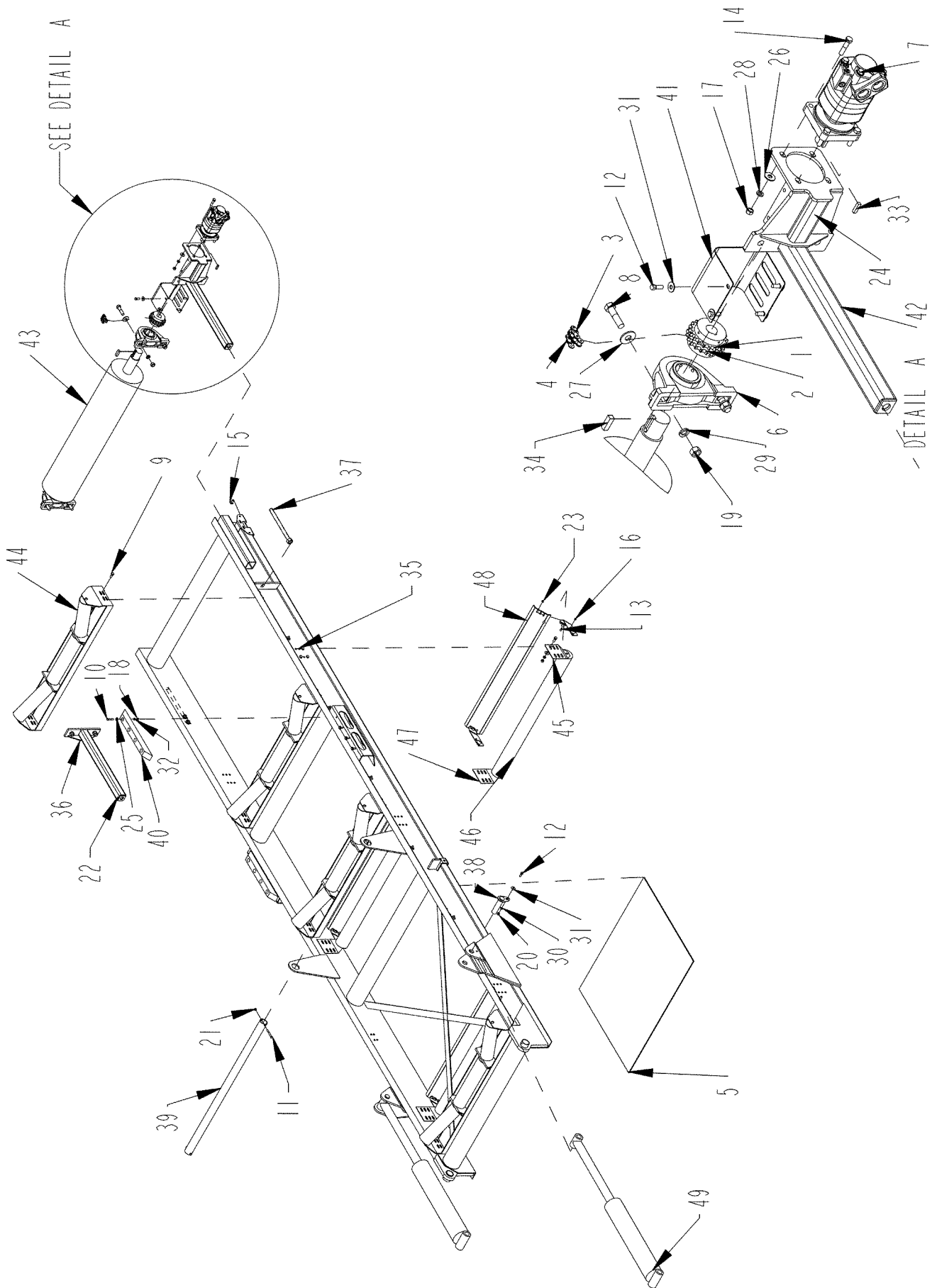
CONVEYOR BELLY SCRAPER



CONVEYOR BELLY SCRAPER

ITEM	PART	QTY.	PART DESCRIPTION
1	4800470	1	BOLT\HEX\7/8X2-1/2\NC
2	4900001	2	NUT\HEX\1/2\NC
3	4900014	1	NUT\TPLCK\1/2\NC
4	4900022	1	NUT\HEX\7/8\NC
5	4900046	2	NUT\JAM\1/2\NC
6	5000004	1	WASH\FLAT\1/2
7	5000106	1	WASH\LOCK\7/8
8	6100089	1	SPG\COMP\6X1-15/16\1/4WIR
9	7100800	1	PIVOT\MNT\SCRPR\CONVBELLY
10	7100801	1	TUBE\SWIVEL\SCRAPER\BELT
11	7100802	1	SCRAPER\CONVBELLY
12	7100804	1	RD\TENSIONER\SCRAPER\BELT
13	7100805	1	ARM\TORQUE\SCRAPER\BELT
14	7100806	2	WASHER\TENSIONER\SCRPPR\BELT
15	7100807	1	WASHER\RETAINER\SCRPPR\BELLY
16	7501238	1	BLADE\SCRPPR\BELT\POLY46
	7100802		SCRPR\CONVBELLY

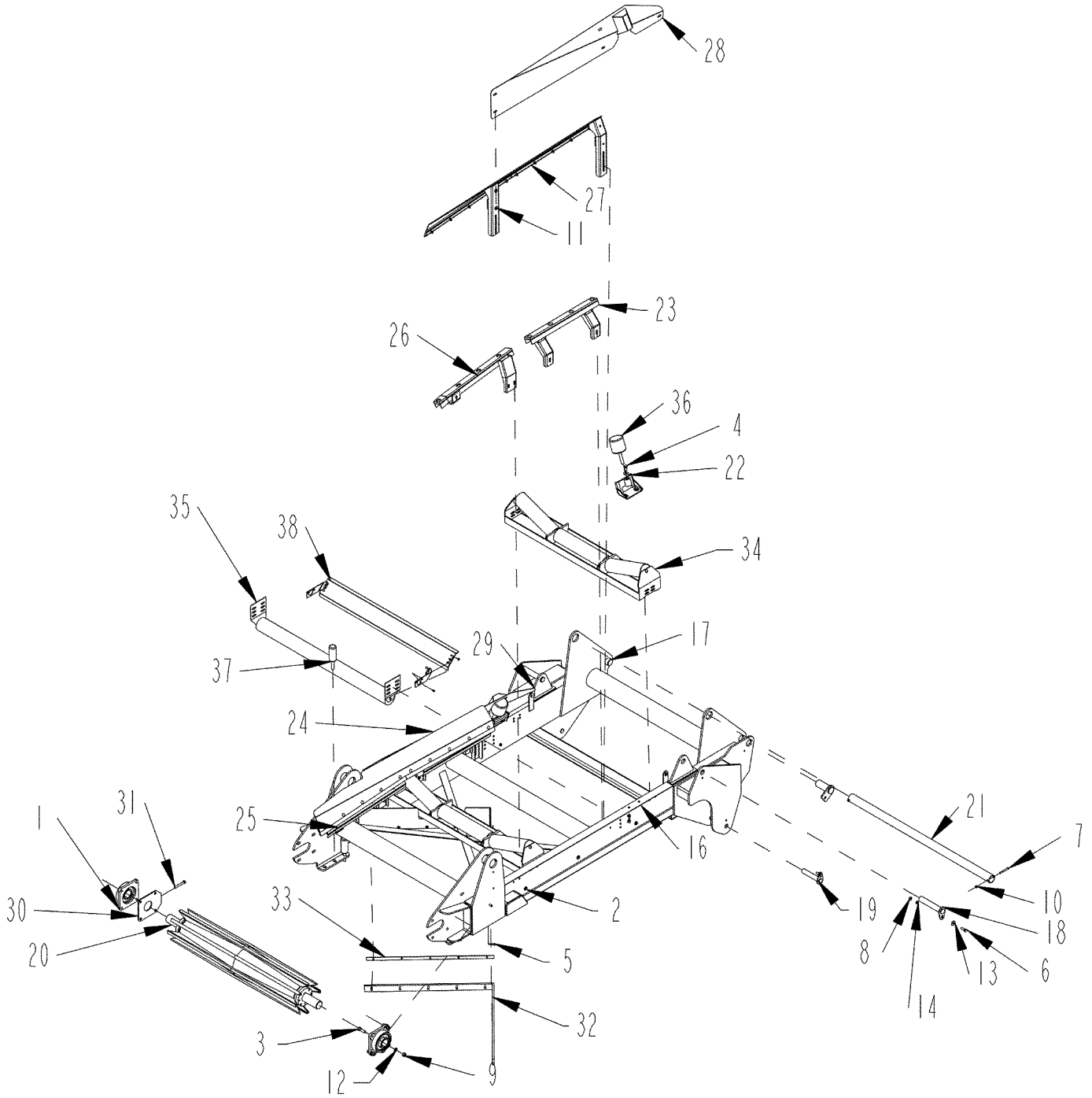
UPPER DISCHARGE CONVEYOR



UPPER DISCHARGE CONVEYOR

ITEM	PART	QTY.	PART DESCRIPTION
1	1000085	1	SPKT\60\B\20\1-1/2\3/8
2	1000219	1	SPKT\60\B\20\2-7/16\5/8KW
3	1100064	1	CHAIN\60DBL\CL
4	1100193	1	CHAIN\60DBL\19
5	1700211	1	BELT\CNVYR\48X742\R5\YCLEAT
6	2000518	2	BRRG\PB\2-15/16\SET SCREWBALL
7	3900044	1	MTR\HYD\23.9CID\SAE
8	4800017	4	BOLT\HEX\3/4X3
9	4800018	9	BOLT\HEX\1/2X1-1/4
10	4800146	8	BOLT\HEX\3/8X2
11	4800156	2	BOLT\HEX\3/8X3
12	4800160	5	BOLT\HEX\7/16X1-1/4
13	4800214	12	BOLT\CRG\1/4X1\NC
14	4800251	4	BOLT\HEX\1/2X2-1/4\NC
15	4800908	1	BOLT\CRG\1/2X1
16	4801215	6	BOLT\FLG\1/4X3/8\GR8.2\NC
17	4900001	12	NUT\HEX\1/2\NC
18	4900002	8	NUT\HEX\3/8\NC
19	4900004	4	NUT\HEX\3/4\NC
20	4900025	1	NUT\HEX\7/16\NC
21	4900030	2	NUT\NYLCK\3/8\NC
22	4900031	4	NUT\HEX\1\NC
23	4900040	12	NUT\FLG\SERR\1/4\NC
24	4900090	4	NUT\FLG\3/8\NC
25	5000001	8	WASH\FLAT\3/8
26	5000004	12	WASH\FLAT\1/2
27	5000005	4	WASH\FLAT\3/4
28	5000006	12	WASH\LOCK\1/2
29	5000012	4	WASH\LOCK\3/4
30	5000015	1	WASH\LOCK\7/16
31	5000016	5	WASH\FLAT\7/16
32	5000019	8	WASH\LOCK\3/8
33	6200021	1	KEY\SQ\3/8X1-1/2\HARDEND
34	6200029	1	KEY\SQ\5/8X2
35	7100416	1	CONVEYOR\STACKING\UPPER
36	7100433	1	TENSIONER\BELT\CONVEYOR
37	7100435	2	BOLT\TENSIONER
38	7100482	2	PIN\CYL\1-1/2X5-5/8
39	7100635	1	TUBE\HANGER\BELT
40	7101073	2	GUIDE\CNVYR\DISCH
41	7101128	1	CVR\DR\BELT\BLLY
42	7101139	1	TNSNR\DR\CON\DISCH
43	7501162	1	ROLLR\HEAD\10"X51' W/2-15/16SAHFT\MAGNETIC\FECON
44	7501163	4	ROLLR\TROUGH\48X20DEGREE\CHANNEL MOUNT
44a	7501396		ROLLR\PLCMNT\ROLLR\TRGH\20DEG (REPLACEMENT PART FOR 7101163)
44b	7501397		CLIP\STND\ROLLR\TRGH\20DEG (REPLACEMENT PART FOR 7101163)
44c	7501398		CLIP\END\ROLLR (REPLACEMENT PART FOR 7101163)
45	7501164	3	ROLLR\IDLER\4X48W\CHANNEL MOUNT BRACKET
46	7501167	3	IDLER\RETURN\4X48
47	7501168	6	BRCKT\MNT\CHNL\IDLER\RETURN
48	7501315	3	GRD\ROLLR\TRN\48
48a	7501316		BRCKT\RH\GRD\TRN\ROLL\HEX (REPLACEMENT PART FOR 7501315)
48b	7501317		BRCKT\LH\GRD\TRN\ROLL\HEX (REPLACEMENT PART FOR 7501315)
48c	7501318		RPLCMNT\GRD\ROLL\TRN\48 (REPLACEMENT PART FOR 7501315)
49	4100254	2	CYL\HYD\3X24\1-1/2\ROD\>

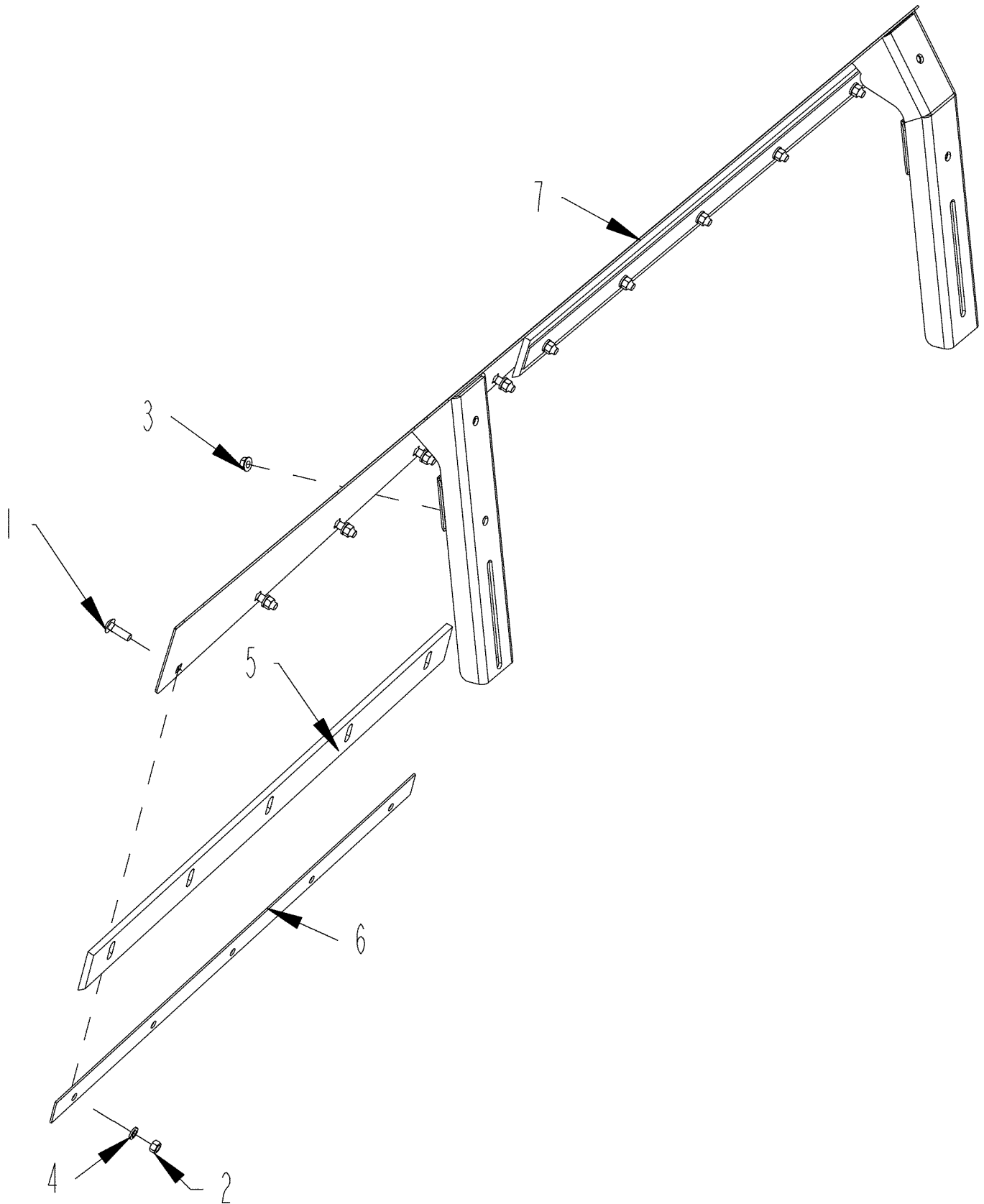
LOWER DISCHARGE CONVEYOR



LOWER DISCHARGE CONVEYOR

ITEM	PART	QTY.	PART DESCRIPTION
1	2000329	2	BRG\FLG\4 BOLT2-7/16\SET SCREWBALL
2	4800003	4	BOLT\HEX\3/8X1
3	4800010	4	BOLT\HEX\5/8X2
4	4800018	2	BOLT\HEX\1/2X1-1/4
5	4800034	5	BOLT\HEX\3/8X1-1/2
6	4800082	2	BOLT\HEX\1/2X1-1/2
7	4800156	2	BOLT\HEX\3/8X3
8	4900001	4	NUT\HEX\1/2\NC
9	4900005	4	NUT\HEX\5/8\NC
10	4900030	2	NUT\NYLCK\3/8\NC
11	5000001	7	WASH\FLAT\3/8
12	5000003	4	WASH\LOCK\5/8
13	5000004	5	WASH\FLAT\1/2
14	5000006	4	WASH\LOCK\1/2
15	5000019	5	WASH\LOCK\3/8
16	7100418	1	CONVEYOR\STACKING\LOWER
17	7100436	2	PIN\HINGE\FOLD\2X4-3/4
18	7100548	2	PIN\CYL\1-1/2X8-1/2
19	7100549	2	PIN\CYL\1-1/4X6-5/8
20	7100632	1	RLLR\IDLER\WING\10X51W/2-7/16 SHAFT
21	7100635	1	TUBE\HANGER\BELT
22	7100778	2	BRCKT\MNT\IDLER\STUB
23	7100812	2	GUIDE\BELT\DISCH\UPPER\COMP
24	7100816	1	DEFL\MAT\RIGHT\CONV\DISCH\COMP
25	7100818	1	WEAR\GAURD\LOWER\LEFT\BELT\DISCH\LEFT
26	7100820	1	WEAR\GAURD\LOWER\RIGHT\BELT\DISCH
27	7100822	1	DEFL\MAT\LEFT\CONV\DISCH\COMP
28	7101001	1	GAURD\RLLRS\CONV\LEFT
29	7101002	1	GUARD\RLLRS\CNVYR\RIGHT
30	7101004	1	ADJ\BRG
31	7101005	1	ROD\ADJ\BRG
32	7101064	2	BELT\SCRPR\CNVYR\DISCH
33	7101065	2	STRP\BLT\SCRPR\CNVYR\DISCH
34	7501163	2	RLLR\TROUGH\48X20DEGREE\CHANNEL MOUNT
35	7501164	1	RLLR\IDLER\4X48W\CHANNEL MOUNT BRACKET
36	7501222	2	IDLER\ROLL\STUB\4"
37	7501230	4	IDLER\ROLL\2"DIAX4-3/4"
38	7501315	1	GRD\RLL\RTRN\48
NOT SHOWN			
	4100255	2	CYL\HYD\4X48X2\3KPS\WE

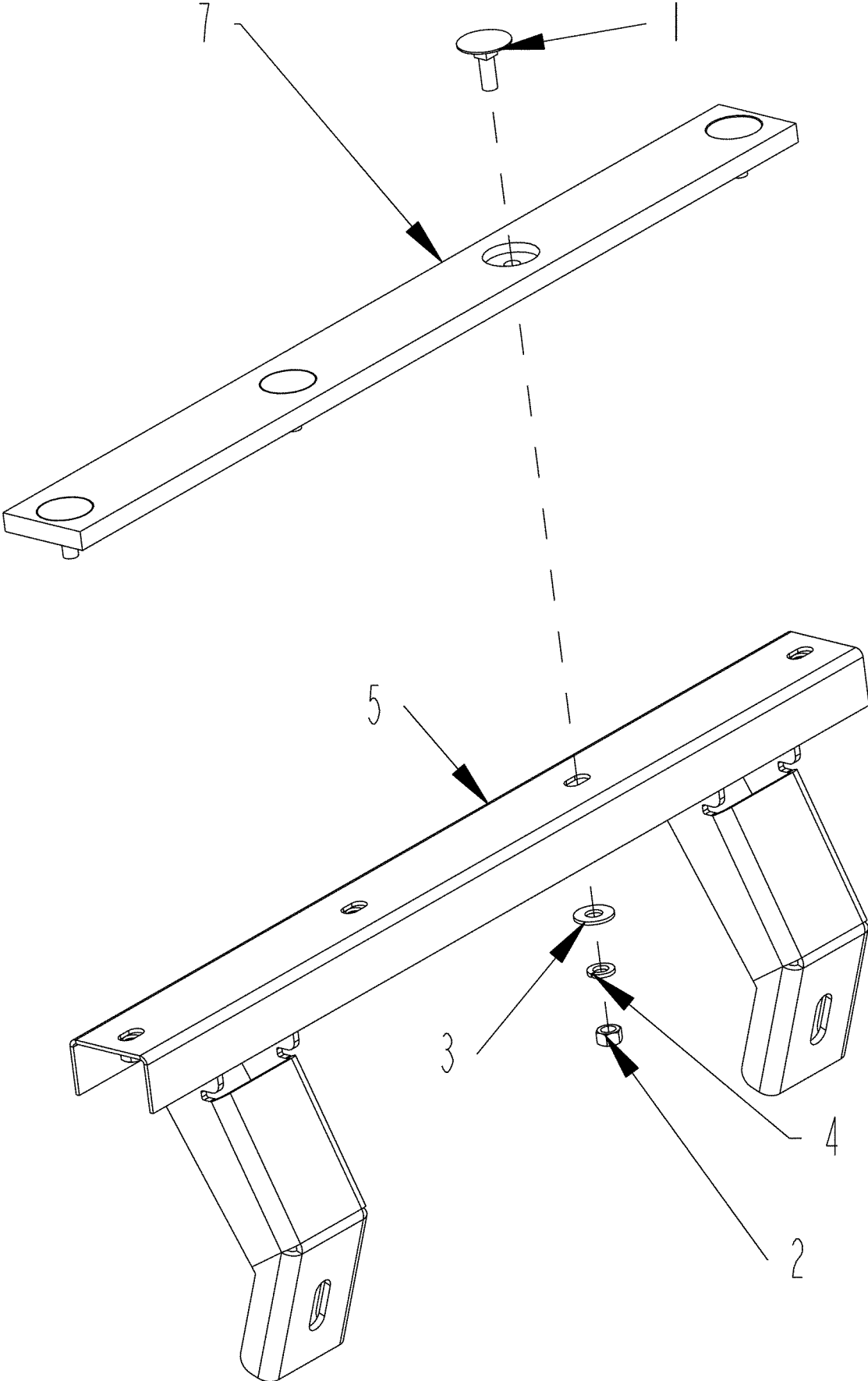
MATERIAL DEFLECTOR



MATERIAL DEFLECTOR

ITEM	PART	QTY.	PART DESCRIPTION
1	4800012	10	BOLT\CRG\3/8X1-1/4\NC
2	4900002	10	NUT\HEX\3/8\NC
3	4900109	4	NUT\FLG\TPLCK\3/8\NC
4	5000019	10	WASH\LOCK\3/8
5	7100815	2	SEAL\DEFL\CON\DISCH
6	7100817	2	STRAP\RETAINING\RBBR
7	7100821	1	DEFL\MAT\LEFT\CON\DISCH

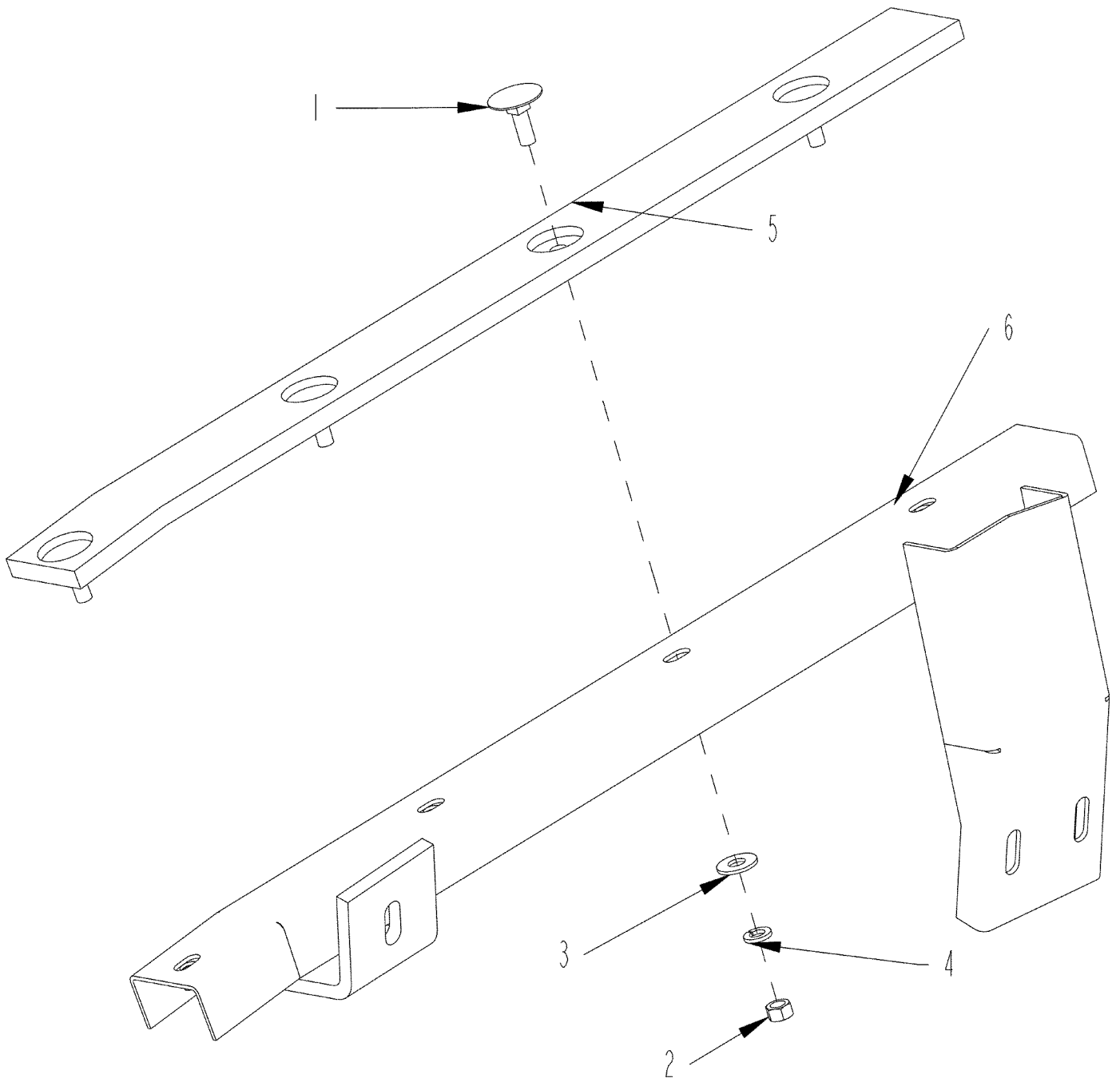
UPPER DISCHARGE CONVEYOR BELT GUIDE



UPPER DISCHARGE CONVEYOR BELT GUIDE

ITEM	PART	QTY.	PART DESCRIPTION
1	4801193	4	BOLT\ELEVATOR\3/8X1-1/4
2	4900002	4	NUT\HEX\3/8\NC
3	5000001	4	WASH\FLAT\3/8
4	5000019	4	WASH\LOCK\3/8
5	7100811	1	GUIDE\BELT\DISCH\UPPER
6	7100812	1	GUIDE\BELT\DISCH\UPPER\COMP
7	7100813	1	WEAR\GAURD\TRANSFER\STRIPS

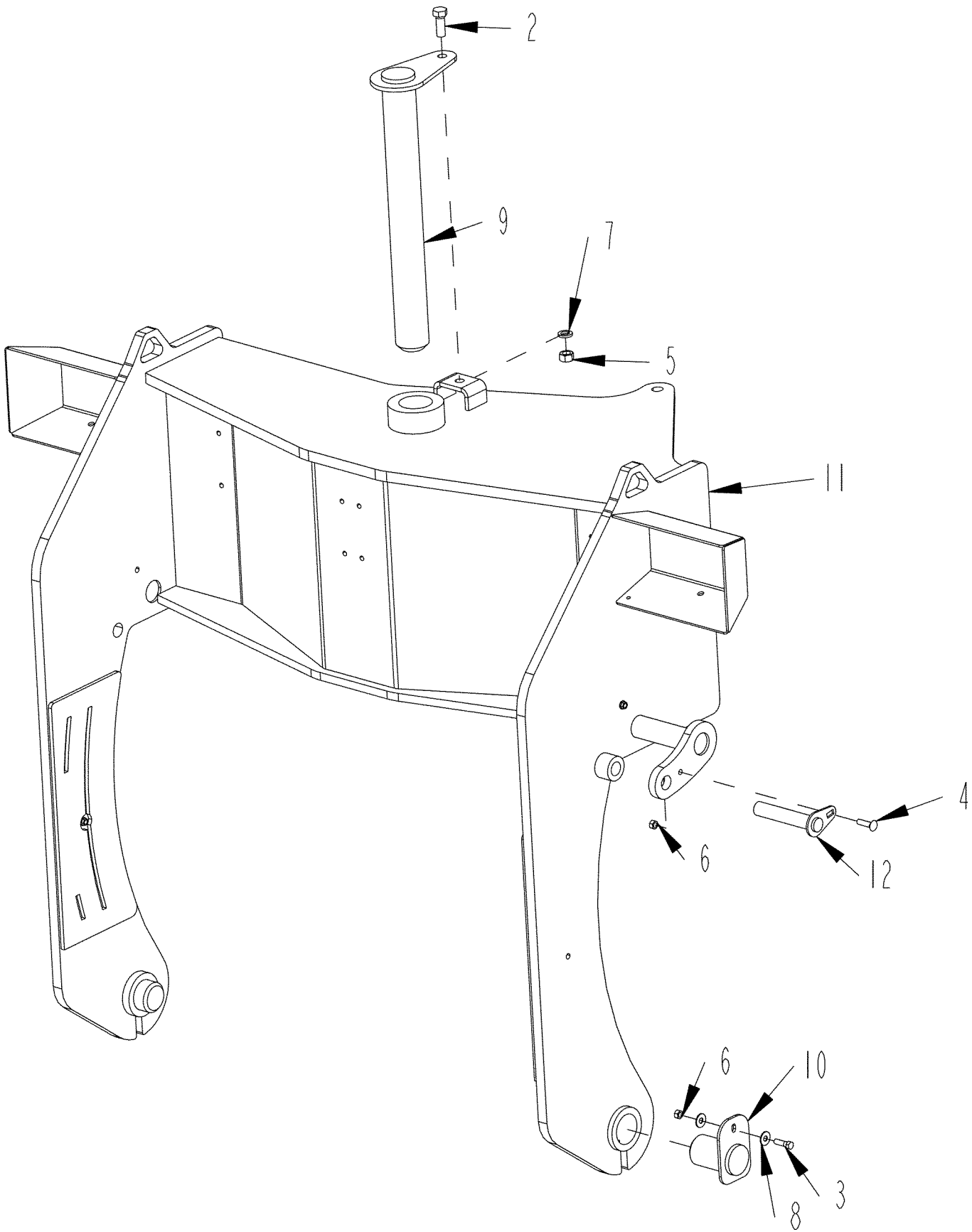
DISCHARGE CONVEYOR WEAR GUARD



DISCHARGE CONVEYOR WEAR GUARD

ITEM	PART	QTY.	PART DESCRIPTION
1	4801193	4	BOLT\ELEVATOR\3/8X1-1/4
2	4900002	4	NUT\HEX\3/8\NC
3	5000001	4	WASH\FLAT\3/8
4	5000019	4	WASH\LOCK\3/8
5	7100809	1	WEAR\GAURD\TRANSFER\STRIPS
6	7100819	1	GUIDE\BELT\DISCH\LOWER\LEFT

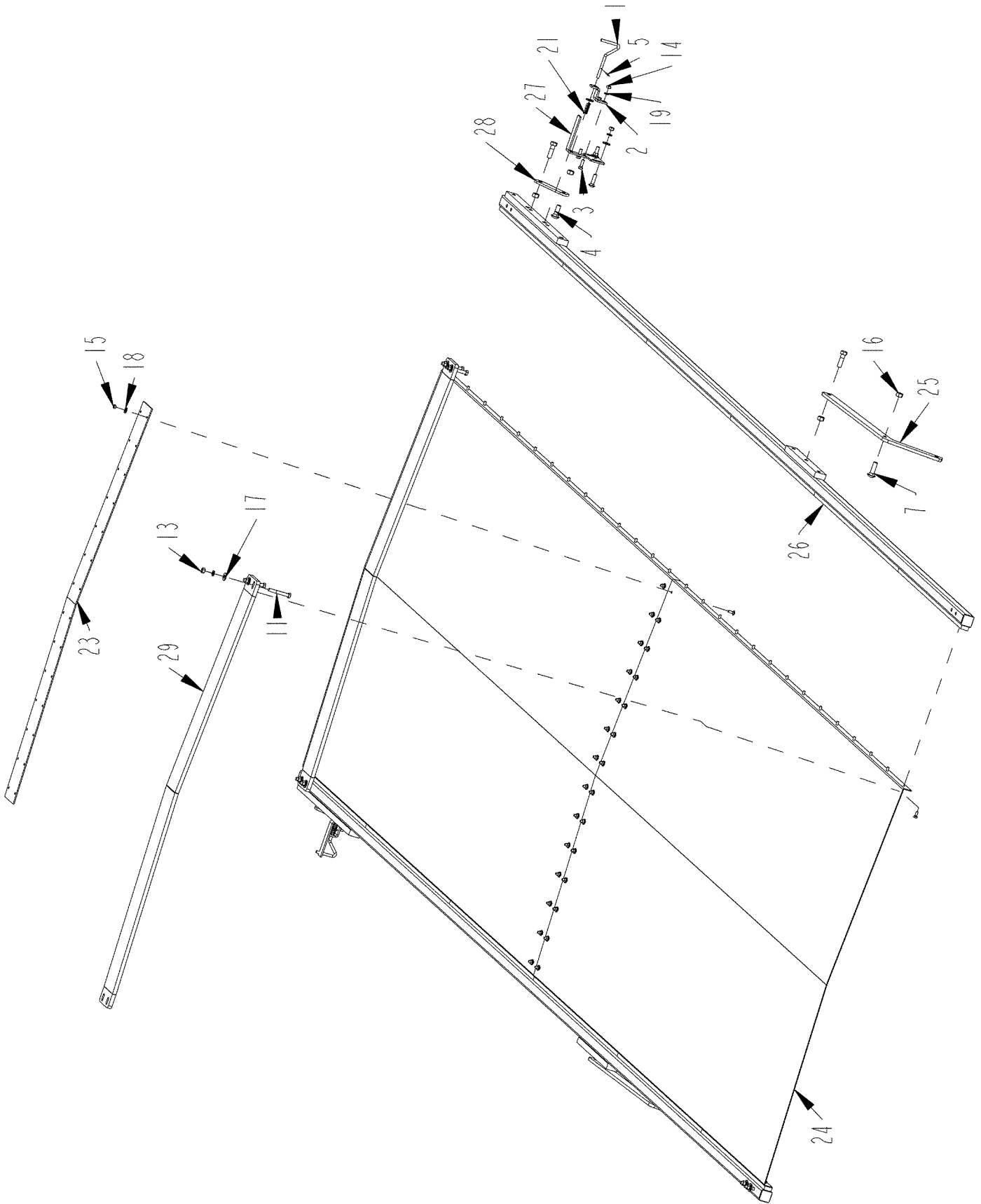
CONVEYOR SWING



CONVEYOR SWING

ITEM	PART	QTY.	PART DESCRIPTION
1	3800043	2	FTG\LUB\1/8MPXZRK\SHORT
2	4800033	1	BOLT\HEX\3/4X2
3	4800040	2	BOLT\HEX\7/16X1-1/2
4	4800947	2	BOLT\CRG\7/16X2\NC
5	4900004	1	NUT\HEX\3/4\NC
6	4900035	4	NUT\PLCK\7/16\NC
7	5000012	1	WASH\LOCK\3/4
8	5000016	4	WASH\FLAT\7/16
9	7100374	1	PIN\PVT\FRM\SWING\CNVYR\DISCH
10	7100437	2	PIN\PIVOT\CONV
11	7100538	1	FRM\SWING\CNVYR\DISCH
12	7100549	2	PIN\CYL\1-1/4X6-5/8
	7100550		SWING\CNVYR\DISCH
	NOT SHOWN		
	4100268	1	CYL\HYD\3-1/2X12\1-1/2ROD

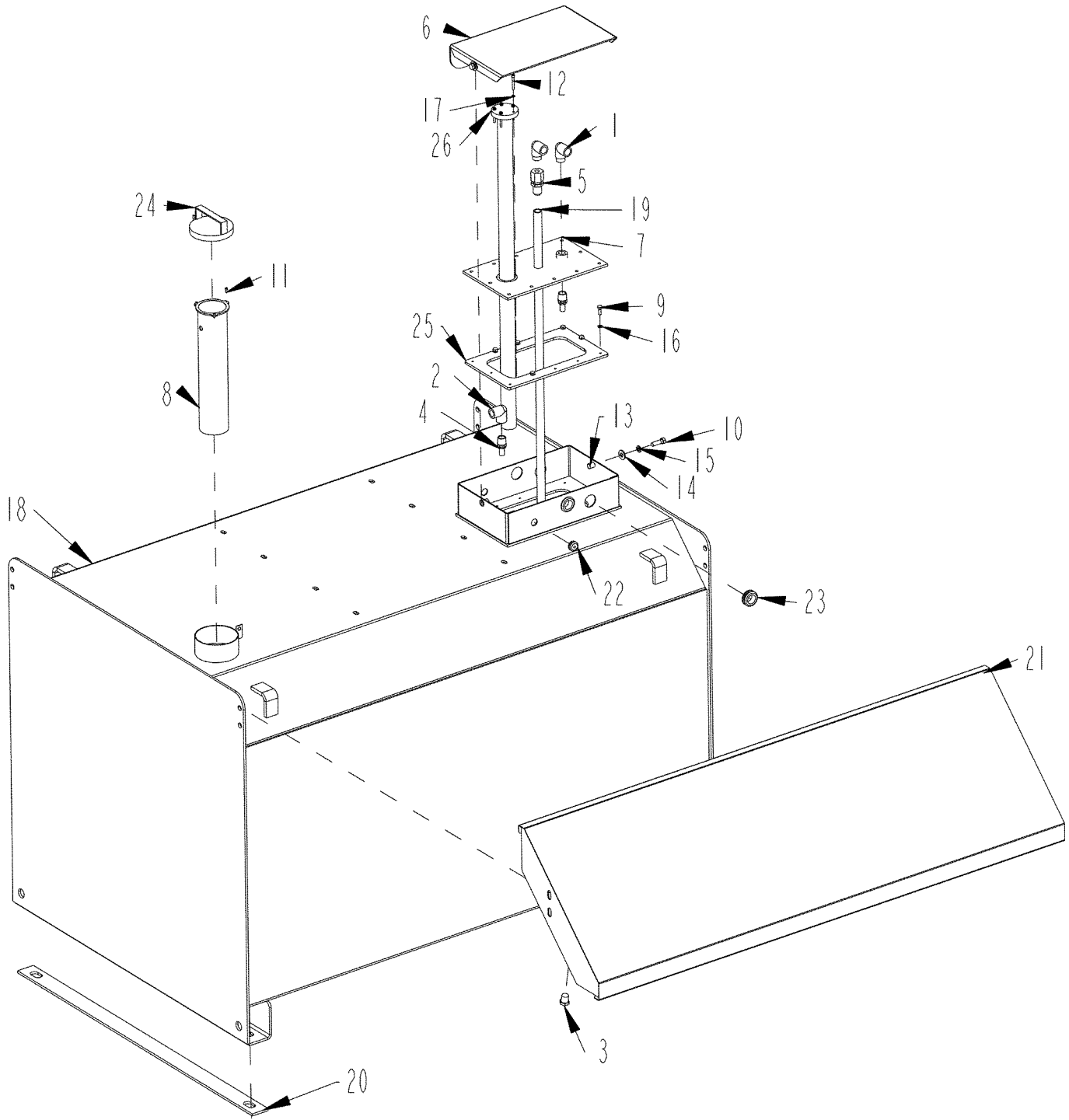
MAGNETIC CHUTE



MAGNETIC CHUTE

ITEM	PART	QTY.	PART DESCRIPTION
1	4702871	2	PIN\HANDLE\MAG\CHUTE
2	4702876	2	BRKT\PIN\CHUTE\MAG\HD10
3	4800013	4	BOLT\HEX\5/16X1
4	4800061	1	BOLT\CRG\1/2X1-1/2\NC
5	4800110	2	PIN\COT\1/8X3/4
6	4800178	2	BOLT\HEX\1/2X1-3/4
7	4800201	1	BOLT\CRG\1/2X1-3/4\NC\GR5
8	4800291	28	BOLT\CRG\1/4X3/4\NC
9	4800477	2	BOLT\CRG\3/8X1-1/2\NC
10	4800503	56	BOLT\HEX\1/4X5/8\NC
11	4800514	8	BOLT\HEX\3/8X2-3/4
12	4900001	2	NUT\HEX\1/2\NC
13	4900002	10	NUT\HEX\3/8\NC
14	4900003	4	NUT\HEX\5/16\NC
15	4900009	28	NUT\HEX\1/4\NC
16	4900014	2	NUT\PLCK\1/2\NC
17	5000001	12	WASH\FLAT\3/8
18	5000019	38	WASH\LOCK\3/8
19	5000022	4	WASH\LOCK\5/16
20	5000024	56	WASH\LOCK\1/4
21	6100064	2	SCRAPERSPRING
22	7100759	1	CHUTE\MAGNETIC\ROLLER
23	7100761	1	SH\CPLR\CHUTE\MAG
24	7100763	2	SH\CHUTE\ROLLER\MAGNETIC
25	7100785	2	BRKT\MNT\FR\CHUTE\RLLR\MAG
26	7100852	2	TUBE\SIDE\CHUTE\MAG
27	7100861	2	PL\MNT\PIN\CHUTE\MAG
28	7100862	2	ARM\FRONT\CHUTE\MAG
29	7101120	2	STRP\FR\CHUTE\MAG
	7100759		CHUTE\MAGNETIC\ROLLER

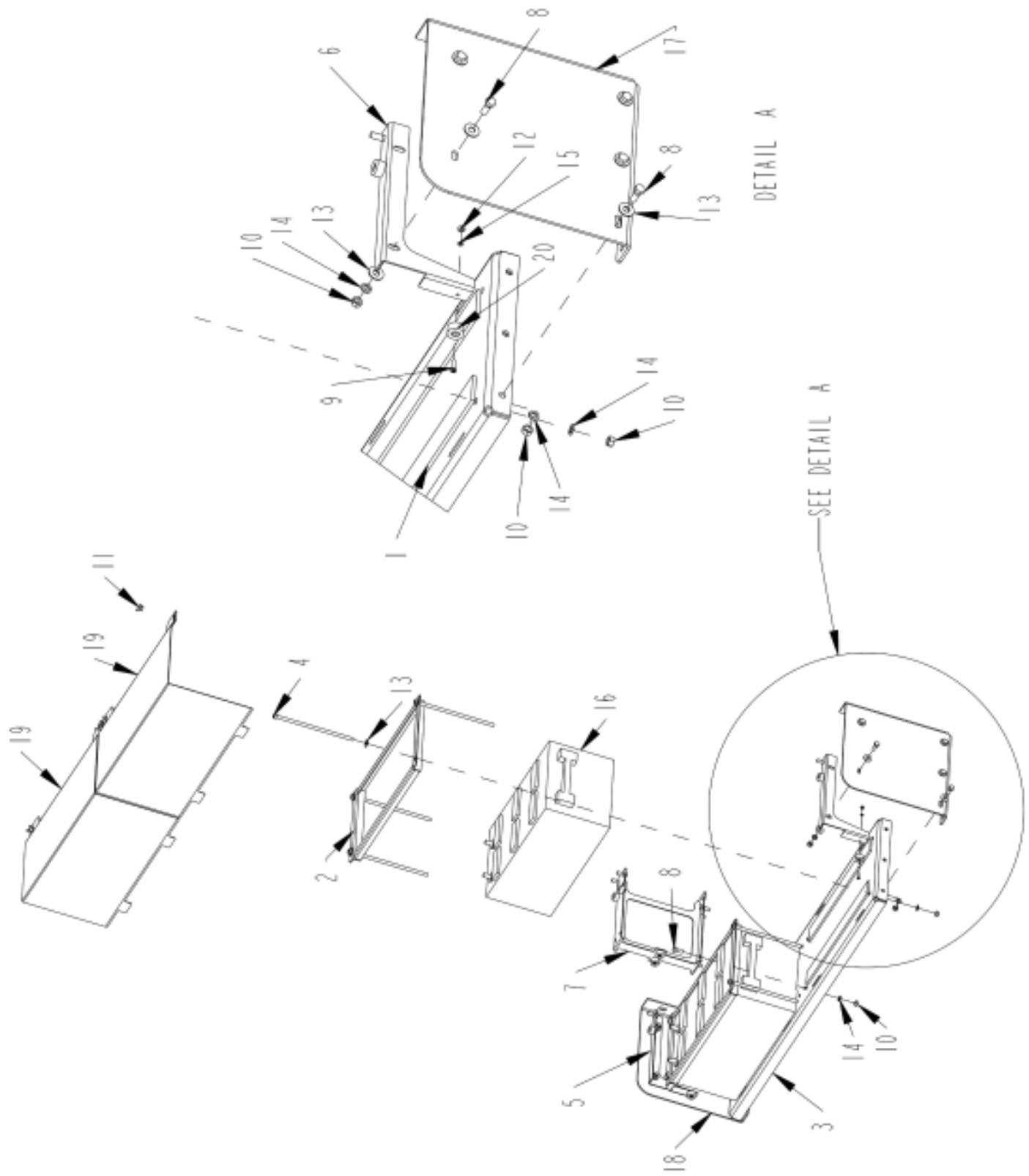
FUEL TANK



FUEL TANK

ITEM	PART	QTY.	PART DESCRIPTION
1	3800008	2	FTG\1/2MPX1/2FP\90\ST;EL
2	3800165	1	FTG\1/2FPX1/2FP\90
3	3800619	1	FTG\AIR\1/2MP\PLUG\BRS\HEX
4	3800691	2	FTG\AIR\1/2MPX1/2PSHLCK\BRASS
5	3800706	1	FTG\7/8MJICX1/2FP\BULKHEAD
6	4703105	1	CVR\GAUGE\TANK\FUEL
7	4703107	1	CVR\TANK\FUEL\HD12
8	4703108	1	TUBE\FILL\INNER\FUEL
9	4800024	12	BOLT\HEX\1/4X3/4
10	4800098	2	BOLT\HEX\3/8X1-1/4\NC
11	4800620	3	SCR\CAP\ALN\6-32X3/8\BLK
12	4801214	5	SCR\CAP\ALN\#10-32X1-1/2
13	4900082	2	NUT\INSERT\3/8\.027X.150GR
14	5000001	2	WASH\FLAT\3/8
15	5000019	2	WASH\LOCK\3/8
16	5000024	12	WASH\LOCK\1/4
17	5000071	5	WASH\LOCK;EXT\STAR\#10
18	7100601	1	TANK\FUEL\400GAL\FECON
19	7100604	1	TANK\SUCTION\TANK\FUEL\400GAL
20	7100954	2	BELT\CUSH\TANK\FUEL
21	7100984	1	DEFL\HEAT
22	7500124	1	GRMT\RBBR\1X9/32IDX3/16T
23	7500743	2	GRMT\RBBR\1-3/8X1IDX1/4T
24	7500811	1	CAP\FUEL\LOW_PRESS_RELIEF
25	7501175	1	SEAL\TANK\FUEL\3/32
26	7501204	1	GAUGE\FUEL\SENDING\HORIZONTAL
	7100602		TANK\FUEL\400GAL\9564\COMP

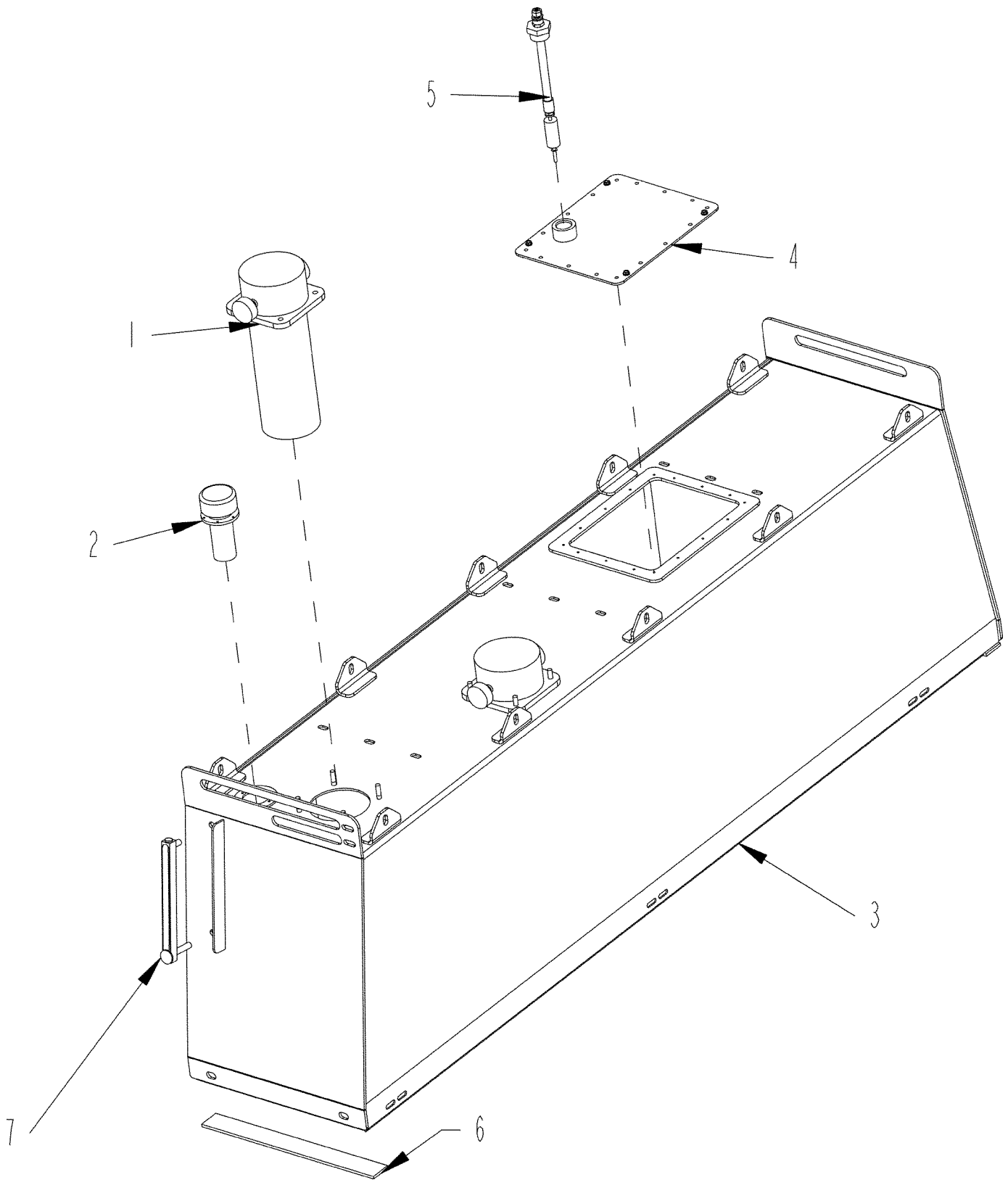
BATTERY BOX



BATTERY BOX

ITEM	PART	QTY.	PART DESCRIPTION
1	4501399	4	BELT\CUSHION\BATTERY
2	4501551	2	BRKT\BATT
3	4501552	1	BRKT\BOX\BATTERY\BOTTOM
4	4703198	8	HLDN\BRCKT\BTTRY
5	4703946	1	BRKT\COVER\BOX\BTTRY
6	4703947	1	BRKT\COVER\BTTRY
7	4703948	1	BRKT\COVER\BOX\BATTERY
8	4800003	18	BOLT\HEX\3/8X1
9	4800497	8	SCR\PAN\PHL\#10X3/4\NC
10	4900002	30	NUT\HEX\3/8\NC
11	4900032	4	NUT\WING\3/8\NC
12	4900072	8	NUT\HEX\#10\NC
13	5000001	21	WASH\FLAT\3/8
14	5000019	22	WASH\LOCK\3/8
15	5000071	8	WASH\LOCK;EXT\STAR\#10
16	5700002	2	BATT\12VDC
17	7100679	1	BRKT\BOX\BATTERY
18	7100680	1	BRKT\BOX\BATTERY
19	7101030	2	COVER\BTTRY
20	7500756	8	BMPR\RBBR\1-1/32X5/8
	7100678		BOX\BATTERY\ASSY\HORIZONTAL

OIL TANK



OIL TANK

ITEM	PART	QTY.	PART DESCRIPTION
1	4400043	2	FILTER\HYDRAULIC\RETURN\IN-TANK ELEMENT 4400074
2	4400071	1	VENTW\LOCK\CAP\HYD
3	7100866	1	TANK\OIL\C27\32
4	7100868	1	COVER\CLEANOUT\TANK\OIL
5	7100869	1	TUBE\DROP\SENSOR\TEMP\LEVEL
6	7100953	2	BELT\CUSH\TANK\OIL
7	7500615	1	GAUGE\LEVEL\10W\THERMOMETER

7100867

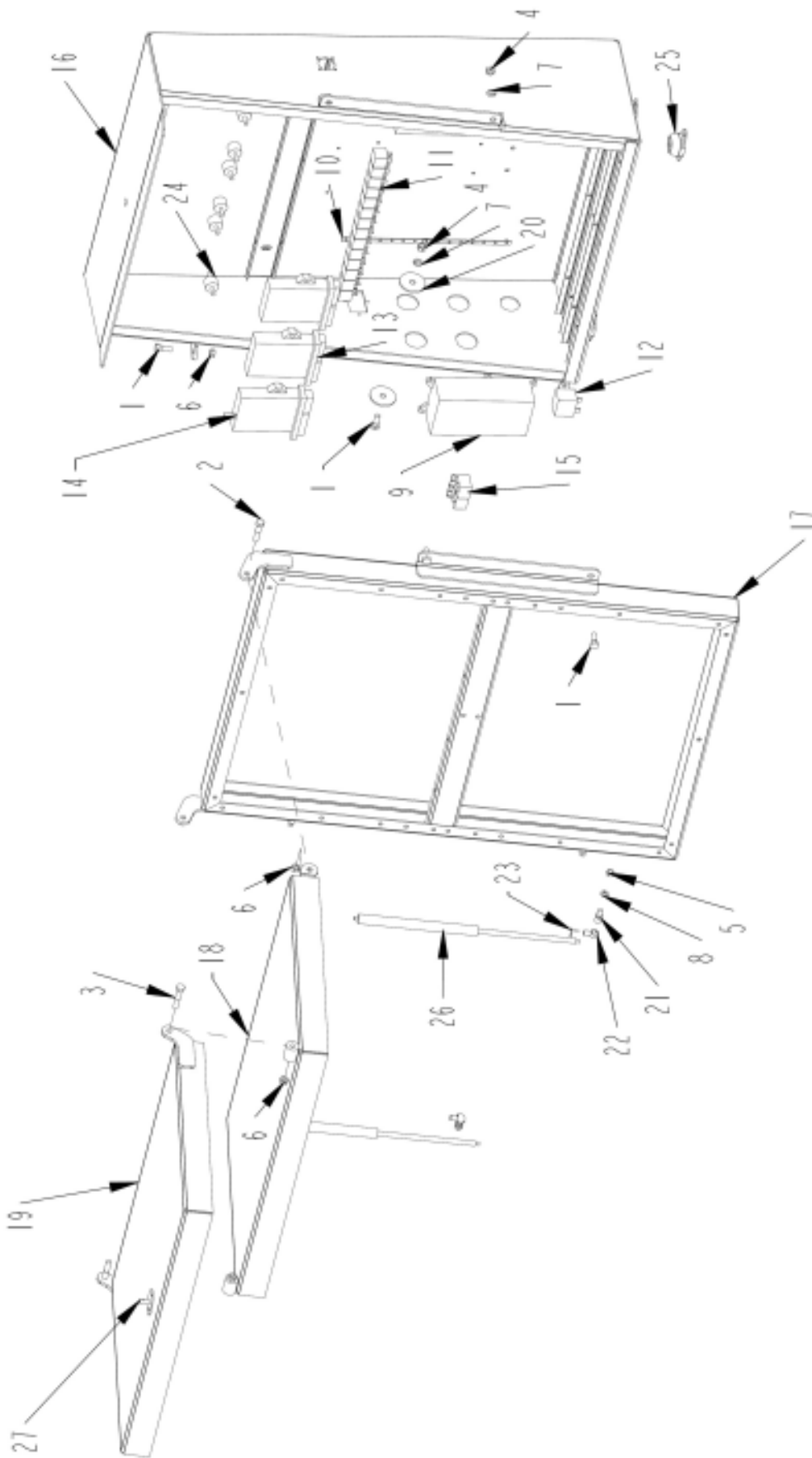
TANK\HYD\OIL\HORIZ\950HP

REPLACEMENT ELEMENT FOR 4400043

4400074

FLTR\ELMT\10MIC\INTANK

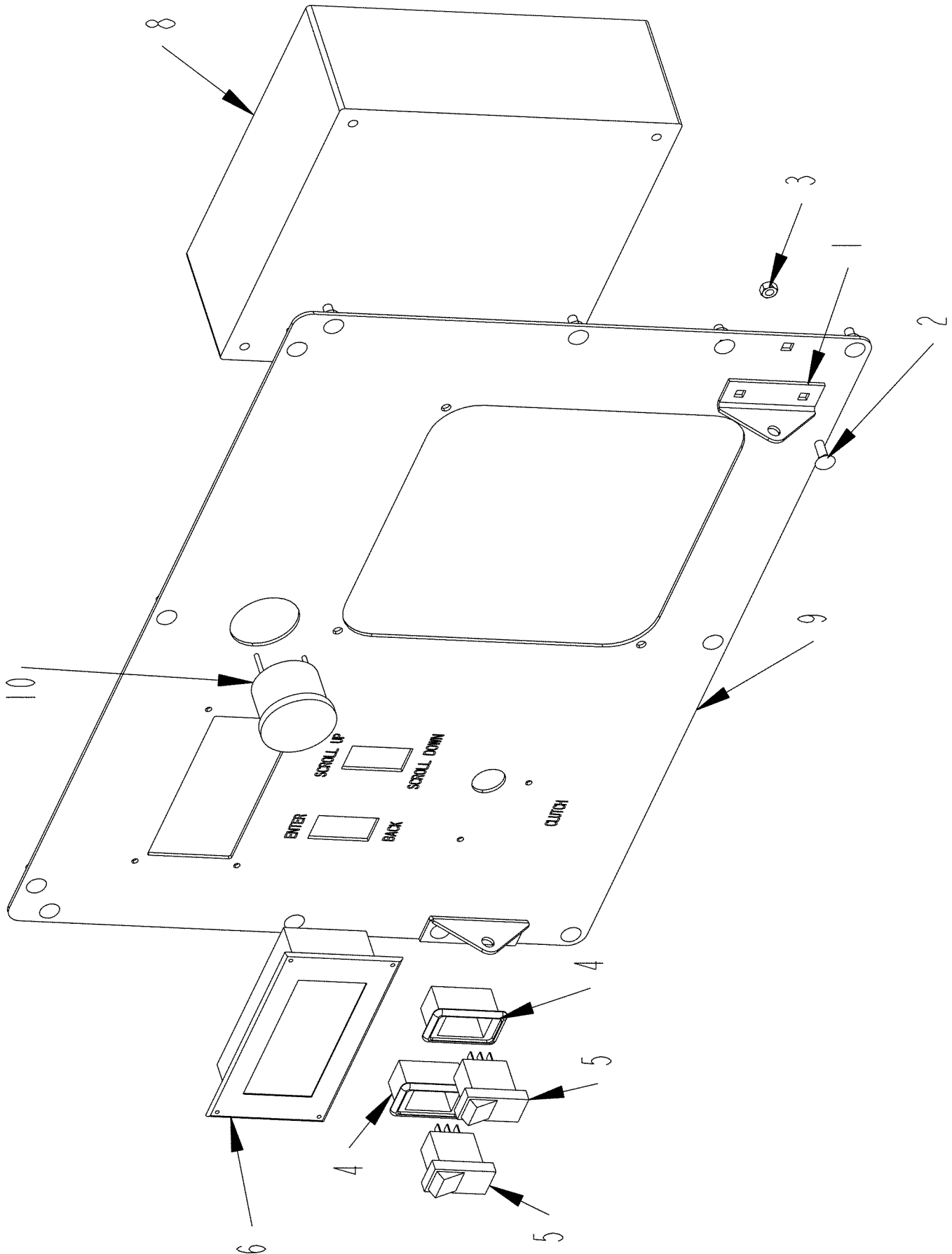
CONTROL PANEL FRAME



CONTROL PANEL FRAME

ITEM	PART	QTY.	PART DESCRIPTION
1	4800003	5	BOLT\HEX\3/8X1
2	4800142	2	BOLT\HEX\3/8X1-3/4
3	4800146	2	BOLT\HEX\3/8X2
4	4900002	3	NUT\HEX\3/8\NC
5	4900003	4	NUT\HEX\5/16\NC
6	4900023	6	NUT\PLCK\3/8\NC
7	5000019	3	WASH\LOCK\3/8
8	5000022	4	WASH\LOCK\5/16
9	5700289	2	ENCL\BRKR\CRCT\7-POLE
10	5700290	2	TERMBAR\BUS\8-POLE
11	5700480	14	RELAY\SPDT\24VDC\20AMP
12	5700504	2	RELAY\POWR\24V\SPST\W/DIO
13	5700633	2	RADIO\REMOTE\OMNEX\900TX
14	5700650	1	PLC\MODULE\DVC-10
15	5700658	1	HARN\6000HORIZ\RADIO
16	7100365	1	PNL\CNTRL
17	7100368	1	PNL\CNTRL\DOOR\FECON
18	7100370	1	PNL\CNTRL\DOOR\TOP\FECON
19	7100371	1	PNL\CNTRL\DOOR\BTM
20	7101029	2	PNL\CNTRL\PLUG
21	7500664	4	BALL STUD\SHOCK\FITTING\M6
22	7500665	4	END FITTING\GAS SPRING \m6
23	7500666	4	SAFETY CLIP
24	7500755	8	CUSH\RBBR\1-OD\1/4-20X3/4
25	7501580	6	CUSH\RBBR\3-1/8X1-3/4X1\5/16UNC
26	7500663	2	SPRNG\GAS\90LB\9416K224
27	7500908	1	LATCH\CMPNT\HD\OFFSET;CAM
	7100369		PNL\CNTRL\9564\ASSY

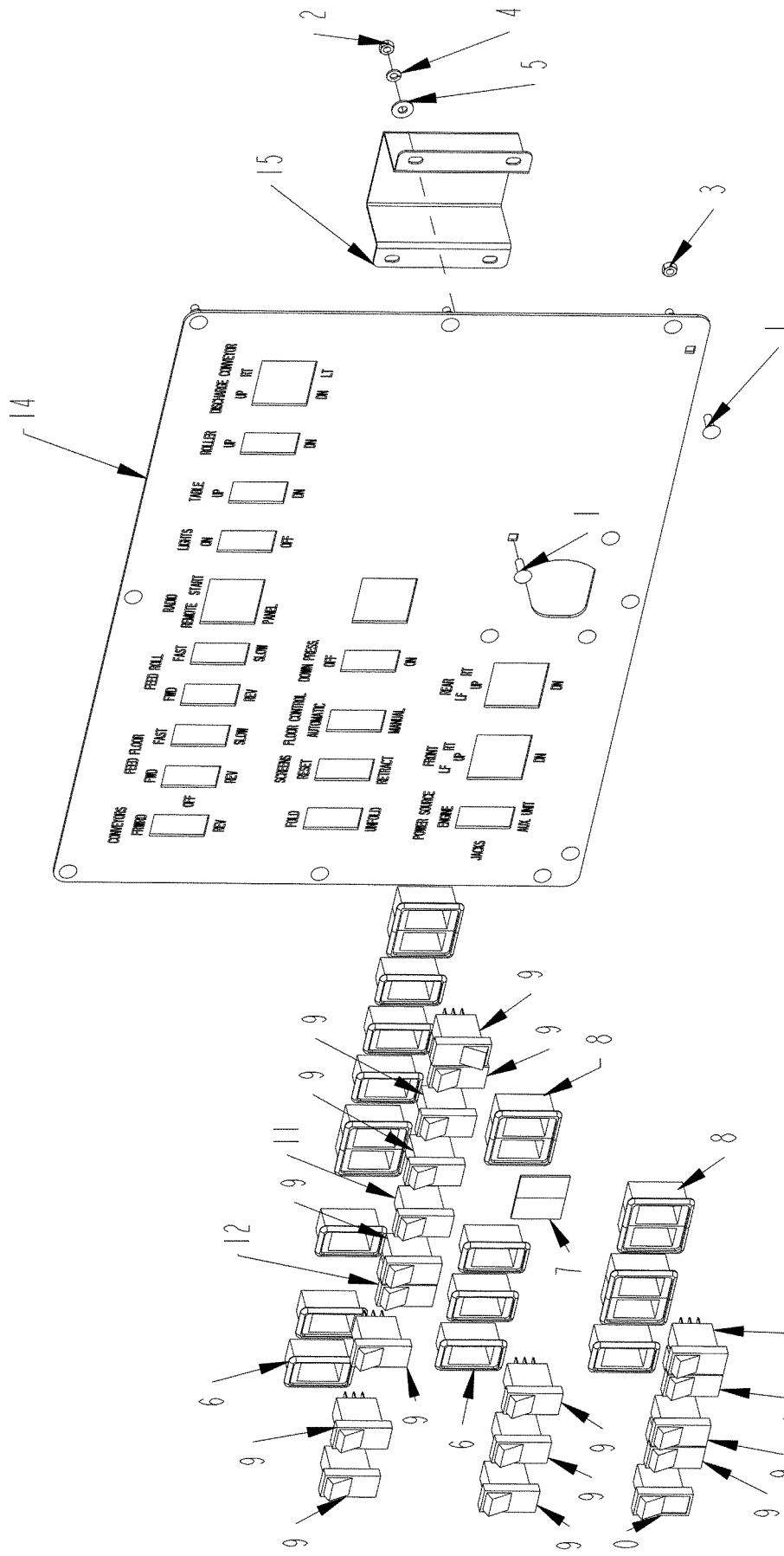
TOP CONTROL PANEL



TOP CONTROL PANEL

ITEM	PART	QTY.	PART DESCRIPTION
1	4703303	2	BRKT\SPRING\GAS\3010
2	4800291	14	BOLT\CRG\1/4X3/4\NC
3	4900084	14	NUT\TPLCK\1/4\NC
4	5700328	2	SWITCH\RCKR\MNT\PNL\SNGL
5	5700542	2	SWITCH\RCKR\DPDT\24V\UNLIT\15A\MOMNTRY\W/RASED BRCKT
6	5700651	1	PLC\DISPLAY\DVC-61
7	5700658	1	HARN\6000HORIZ\RADIO
8	5700903	1	SPCR\PNL\CNTRL\ENG
9	7100372	1	PNL\CNTRL\ENG\CAT-ELEC\FECON
10	7500706	1	GAUGE\FUEL\24V

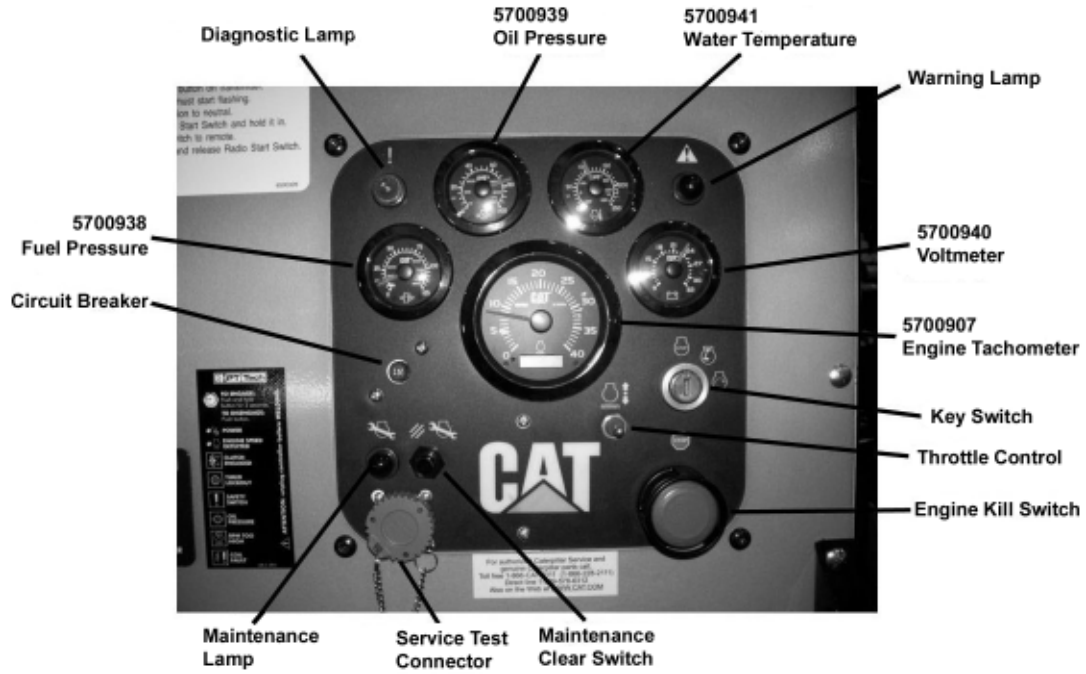
BOTTOM CONTROL PANEL

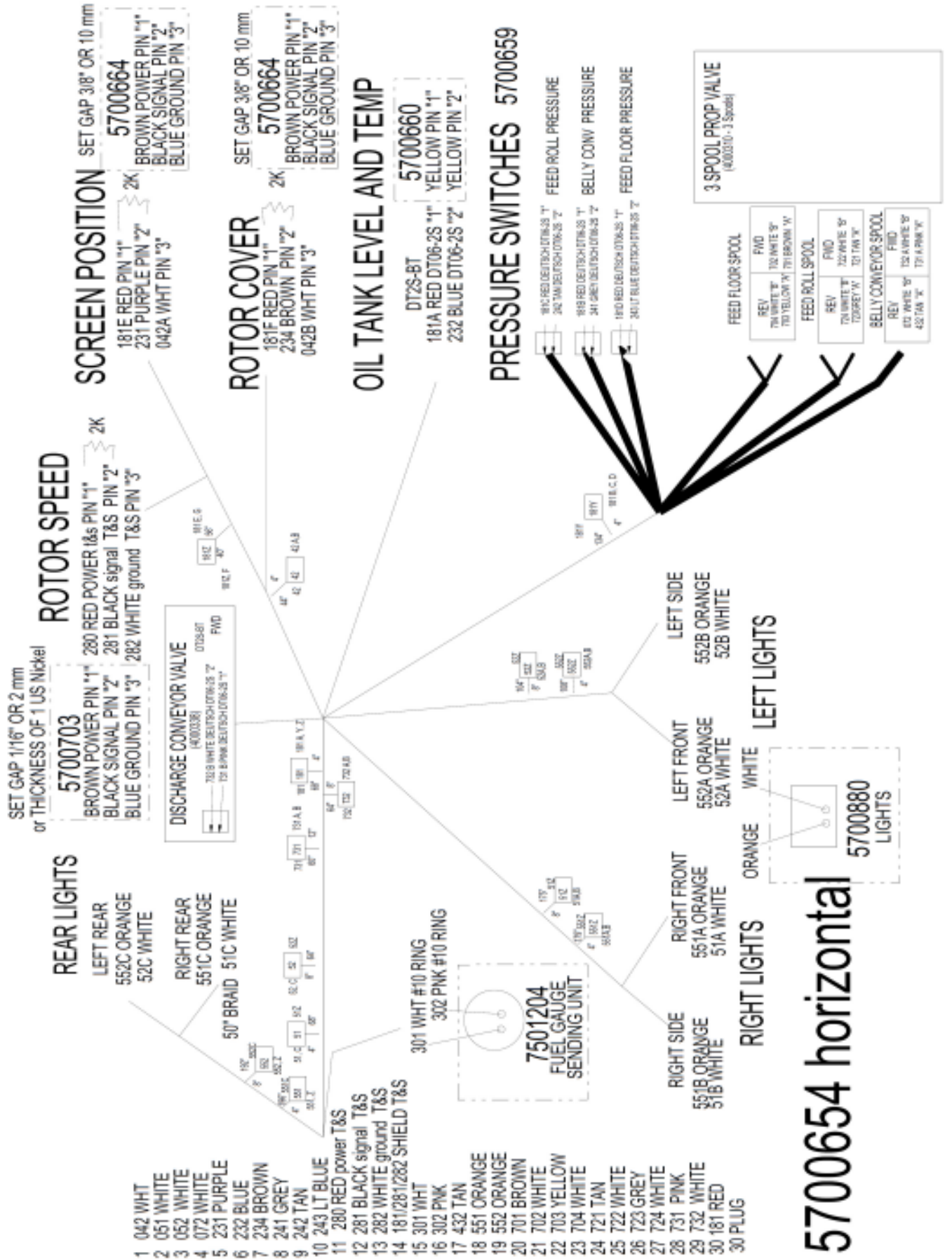


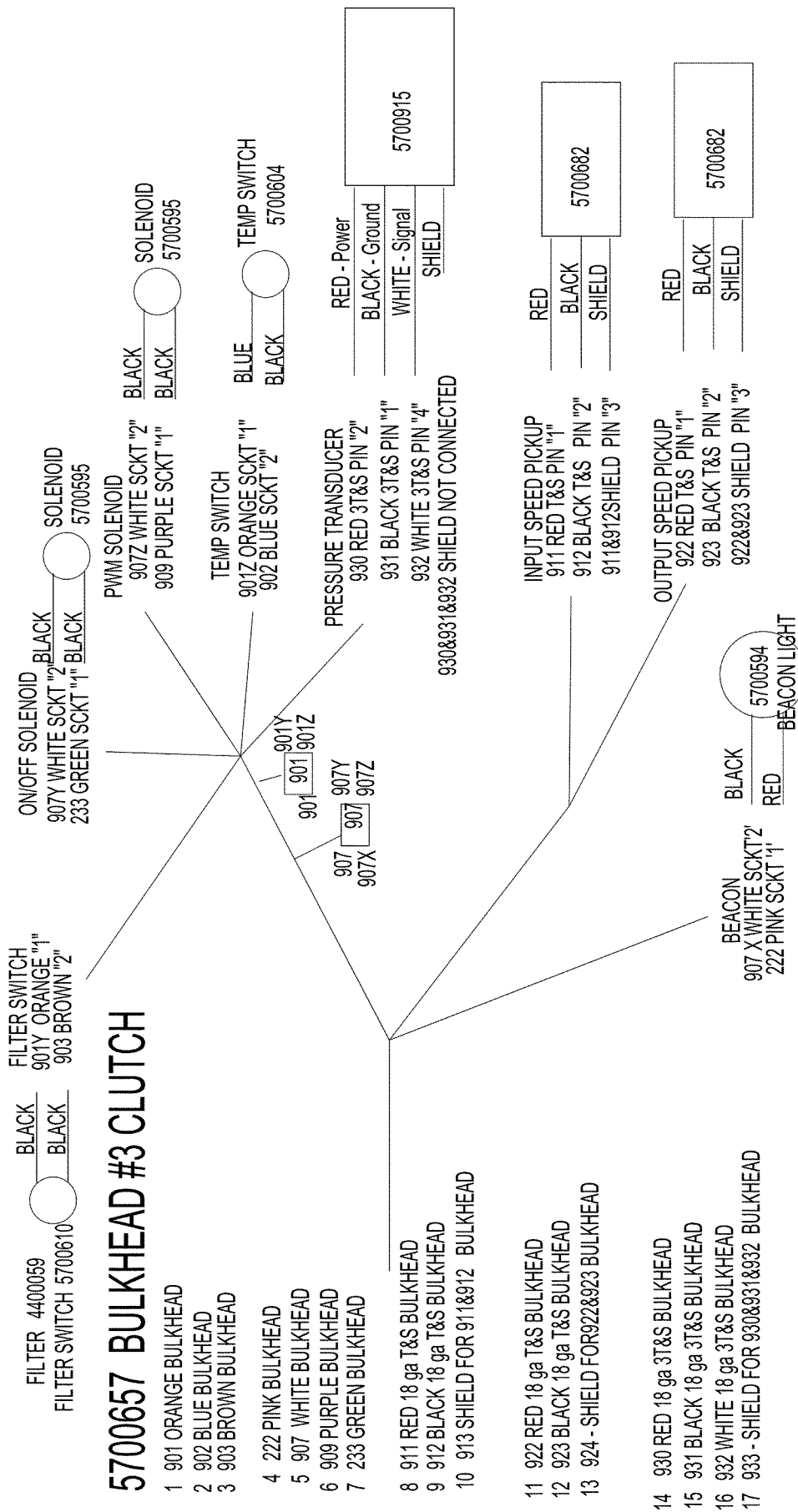
BOTTOM CONTROL PANEL

ITEM	PART	QTY.	PART DESCRIPTION
1	4800291	14	BOLT\CRG\1/4X3/4\NC
2	4900009	4	NUT\HEX\1/4\NC
3	4900084	10	NUT\TPLCK\1/4\NC
4	5000024	4	WASH\LOCK\1/4
5	5000035	4	WASH\FLAT\1/4
6	5700328	10	SWITCH\RCKR\MNT\PNL\SNGL
7	5700329	2	SWITCH\RCKR\PLUG
8	5700333	10	SWITCH\RCKR\MNT\PNL\MTPL
9	5700542	15	SWITCH\RCKR\DPDT24V\UNLIT15A\MOMNTRY\W\RAISED BRCKT
10	5700543	1	SWITCH\RCKR\DPDT24V\2LIT15A\LATCH\W\RAISED BRACKET
11	5700544	1	SWITCH\RCKR\DPDT24V\1LIT15A\LATCH&MOM\W\RAISED BRCKT
12	5700545	1	SWITCH\RCKR\DPST24V\2LIT15A\LATCH\W\RAISED BRACKET
13	5700658	1	HARN\6000\HORIZ\RADIO
14	7100670	1	PNL\CNTRL\HORIZONTAL
15	7100969	1	CVR\LATCH\PNL\CNTRL

CAT TIER 3 PANEL

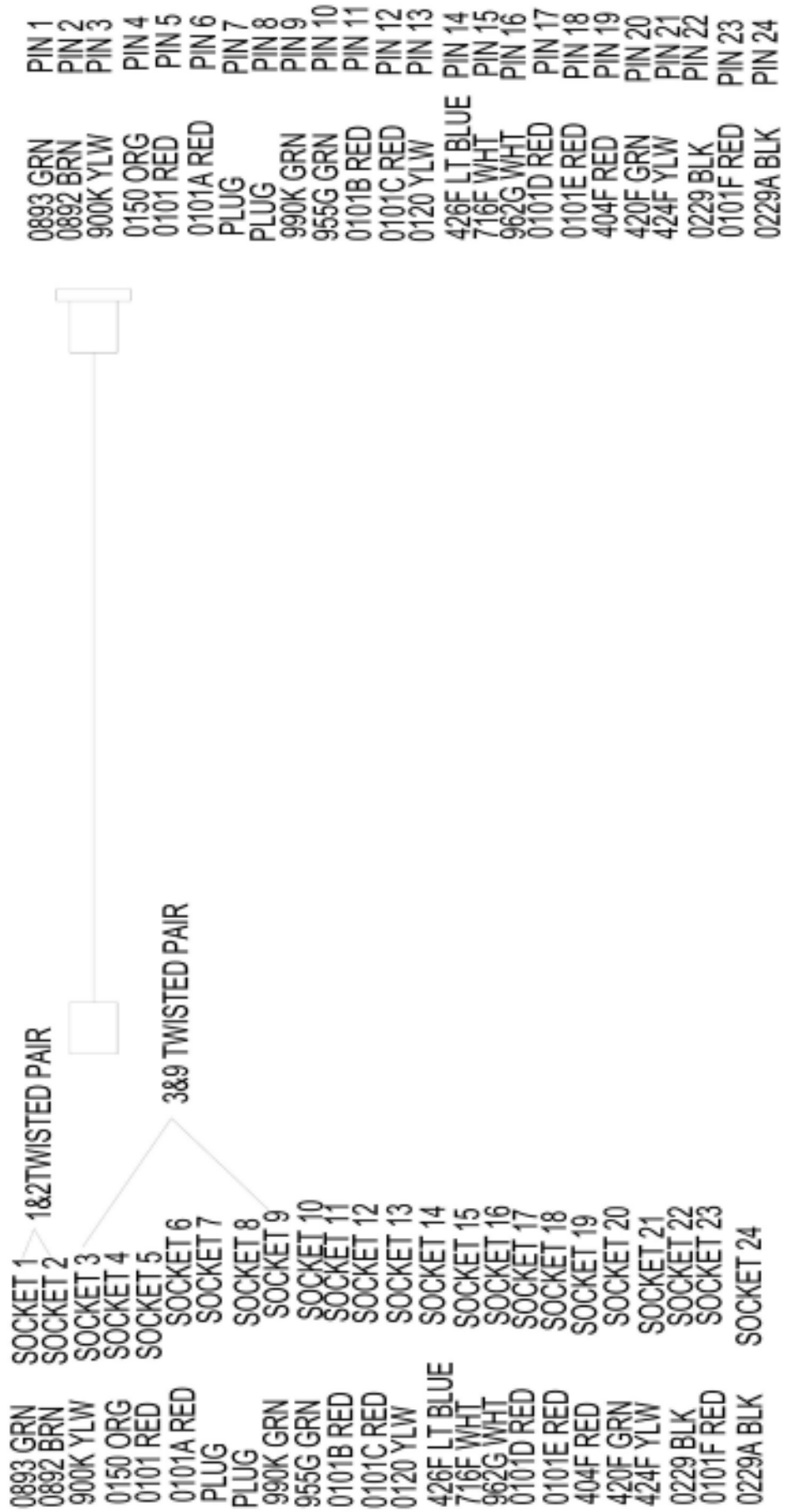


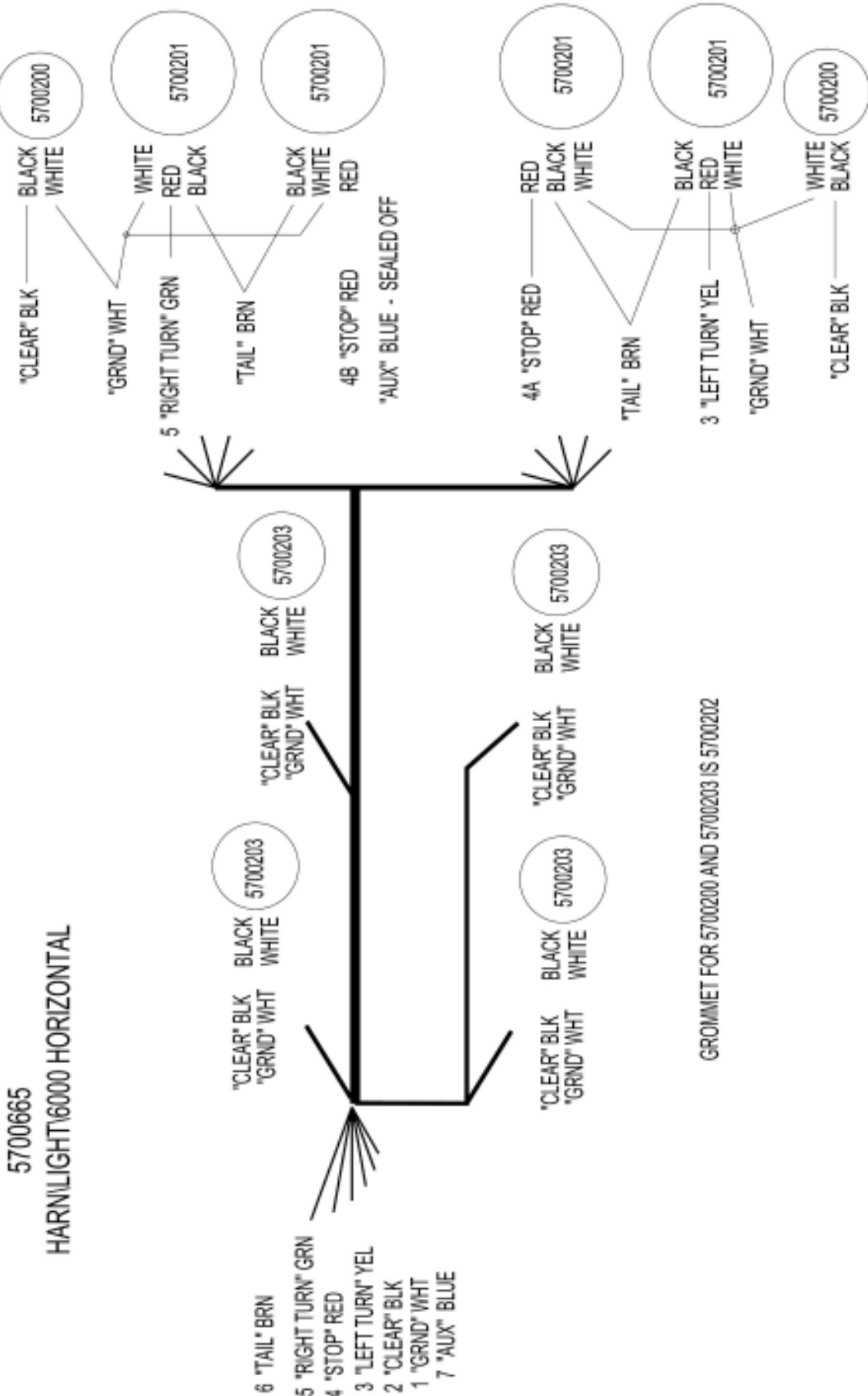




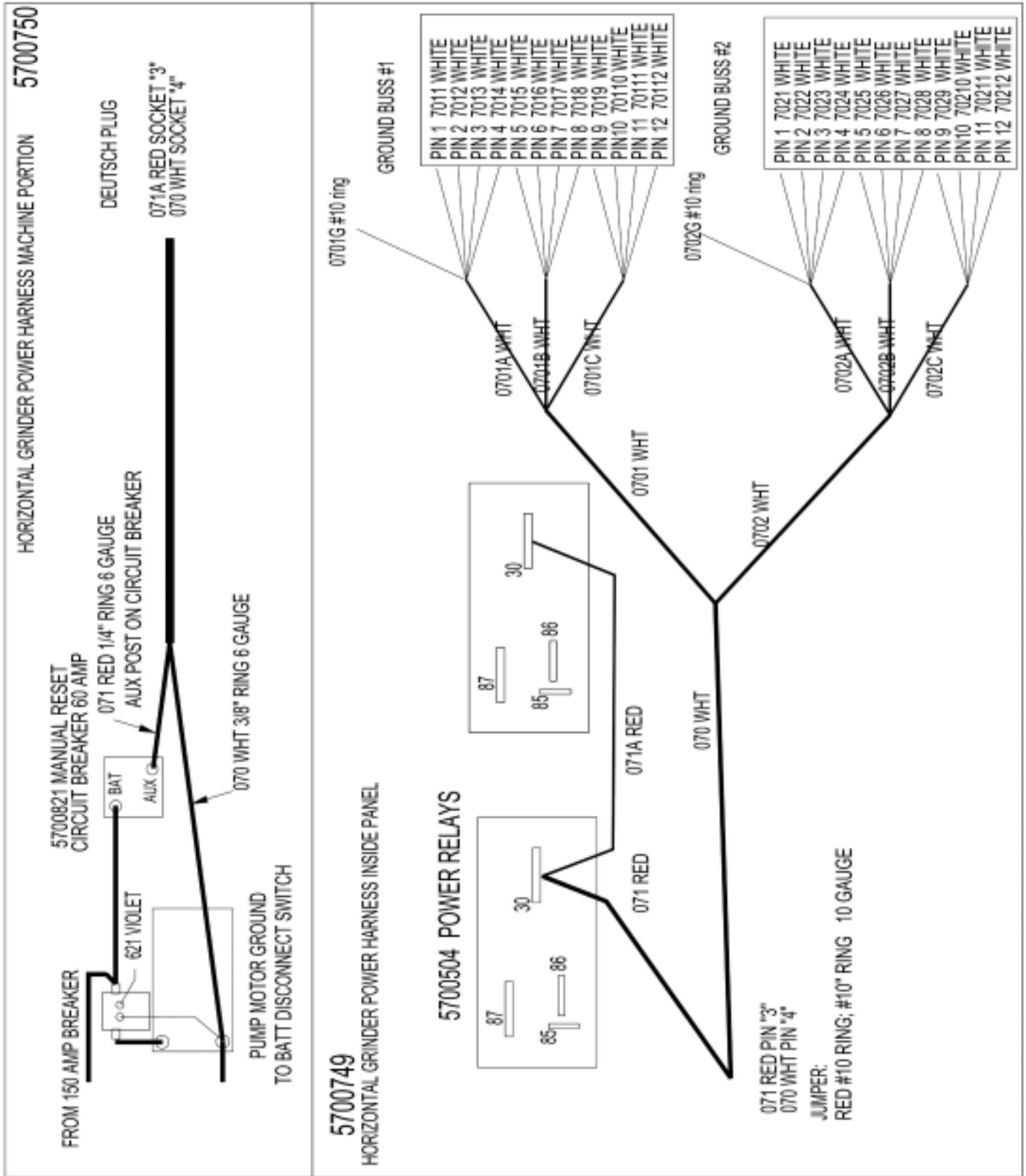
HORIZONTAL LOADER, CATERPILLAR ENGINE TIER 3 CONTROL PANEL JUMPER

5700658

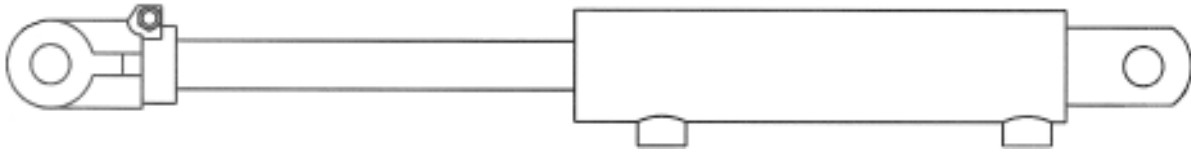




5700665
HARNLIGHT6000 HORIZONTAL



HYDRAULIC CYLINDERS - 4100193 & 4100254



USED ON SCREEN ENGAGE

4100193 CYL\HYD\2-1/2X8\1-1/4

PART PART DESCRIPTION

4100296	CYL\HYD\ROD\1-1/4\2-1/2X8\RAM
4100297	CYL\HYD\PSTN\2-1/2\1-1/4ROD\RAM
4100298	CYL\HYD\GLAND\2-1/2\1-1/4ROD\RAM
4100299	KIT\SEAL\CYL\HYD\2-1/2X8\1-1/4RD\RAM



USED ON DISCHARGE CONVEYOR FOLD

4100254 CYL\HYD\5X24\2.5\3KPS\WE

PART PART DESCRIPTION

4100300	CYL\HYD\ROD\2-1/2\5X24\RAM
4100301	KIT\SEAL\CYL\HYD\5X24\2-1/2RD\RAM
4100302	CYL\HYD\GLAND\5\2-1/2RD\RAM
4100303	CYL\HYD\PSTN\5\2-1/2RD\RAM

HYDRAULIC CYLINDERS - 4100255 & 4100256



USED ON LOWER DISCHARGE LIFT

4100255 CYL\HYD\4X48X2\3KPS\WE

PART PART DESCRIPTION

4000401	VALVE\HANDLE\CLAMP\L90LS
4100295	KIT\SEAL\CYL\HYD\4X48\2ROD
4100304	CYL\HYD\ROD\2\4X48\RAM
4100305	CYL\HYD\GLAND\4\2RD\RAM
4100306	CYL\HYD\PISTON\4\2RD\RAM



USED ON FRONT FOLDING TABLE

4100256 CYL\HYD\4-1/2X20X2-1/2\WE

PART PART DESCRIPTION

4100307	CYL\HYD\ROD\2-1/2\4-4/2X20
4100308	CYL\HYD\PISTN\4-4/2\2-1/2ROD
4100309	KIT\SEAL\CYL\HYD\4-1/2\2-1/2ROD

HYDRAULIC CYLINDERS - 4100257 & 4100258



USED ON REAR HYDRAULIC JACKS

4100257 CYL\HYD\4X16X1.75\CLEVIS>

PART	PART DESCRIPTION
4100310	CYL\HYD\ROD\1-3/4\4X16\RAM
4100311	CYL\HYD\PSTN\4\1-3/4RD\RAM
4100312	CYL\HYD\GLAND\4\1-3/4RD\RAM
4100313	KIT\SEAL\CYL\HYD\4\1-3/4RD\RAM

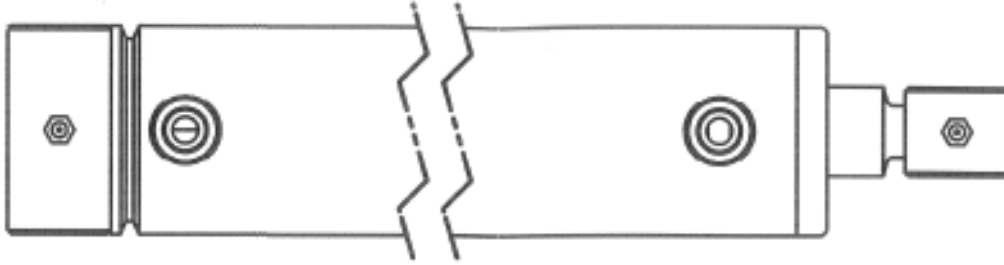


USED ON FRONT HYDRAULIC JACKS

4100258 CYL\HYD\4X24X1.75\CLEVIS>

PART	PART DESCRIPTION
4100311	CYL\HYD\PSTN\4\1-3/4RD\RAM
4100312	CYL\HYD\GLAND\4\1-3/4RD\RAM
4100313	KIT\SEAL\CYL\HYD\4\1-3/4RD\RAM
4100314	CYL\HYD\ROD\1-3/4\4X24\RAM

HYDRAULIC CYLINDERS - 4100267, 4100268 & 4100346



USED ON LIFT ARM ASSEMBLY

4100267 CYL\HYD\3X20X1-1/2\CRSTBE (FOR SN UP TO 602HJ0102)

PART PART DESCRIPTION

4100290	CYL\HYD\PISTON\3"1-1/2"ROD\CTD
4100315	CYL\HYD\ROD\1-1/2\3X20\CTD
4100316	KIT\SEAL\CYL\HYD\3\1-1/2RD\CTD
4100317	CYL\HYD\GLAND\3\1-1/2RD\CTD



USED ON CONVEYOR SWING

4100268 CYL\HYD\3-1/2X12\1-1/2ROD

PART PART DESCRIPTION

4100282	KIT\SEAL\CYL\HYD\3-1/2X12X1-1/2\CTD
4100318	CYL\HYD\ROD\1-1/2\3-1/2X12\CTD
4100319	CYL\HYD\PSTN\3-1/2\CTD
4100320	CYL\HYD\GLAND\3-1/2\1-1/2RD\CTD



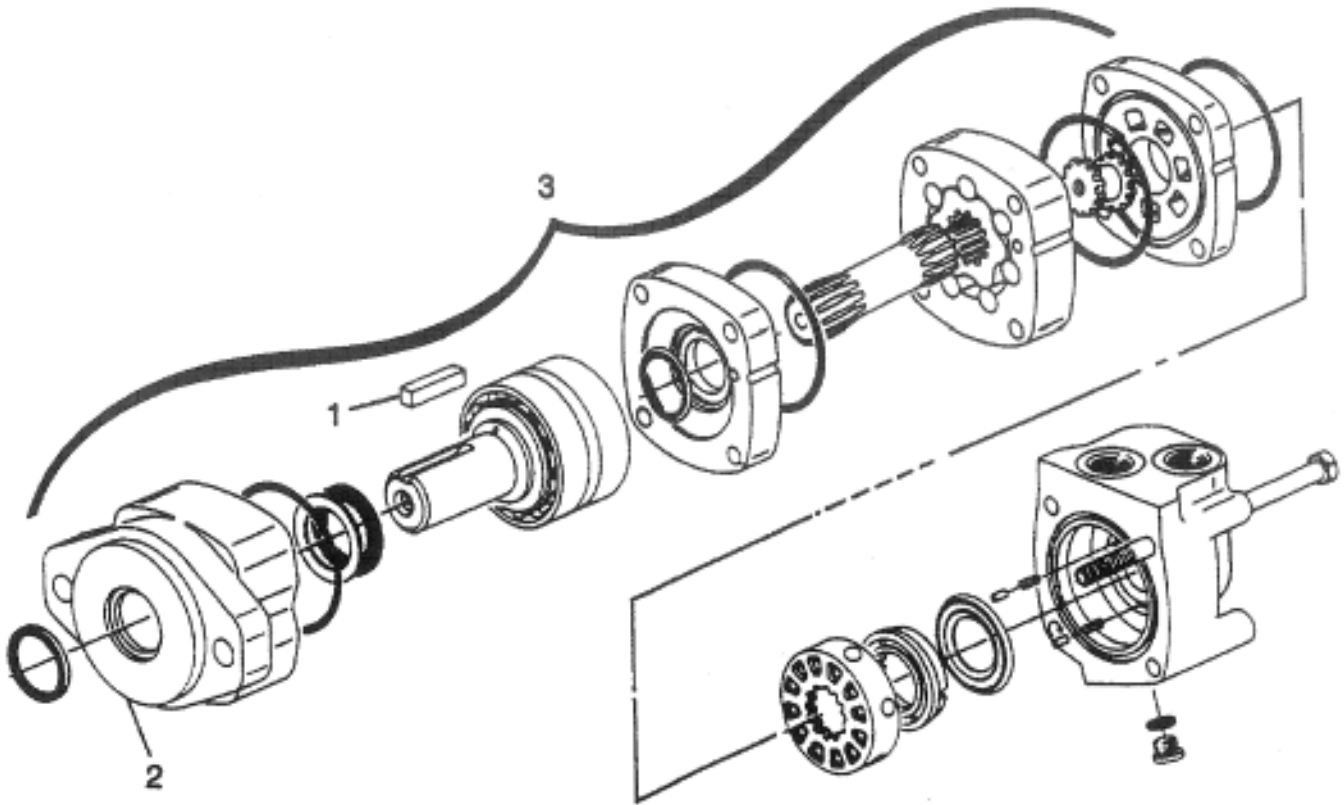
USED ON LIFT ARM ASSEMBLY

4100346 CYL\HYD\3X20X1-1/2\PERP\SAE-8 (FOR SN 602180103 & UP)

PART PART DESCRIPTION

4100143	KIT\SEAL\CYL\HYD\3\1-1/2RD\LEON
---------	---------------------------------

ORBIT MOTORS

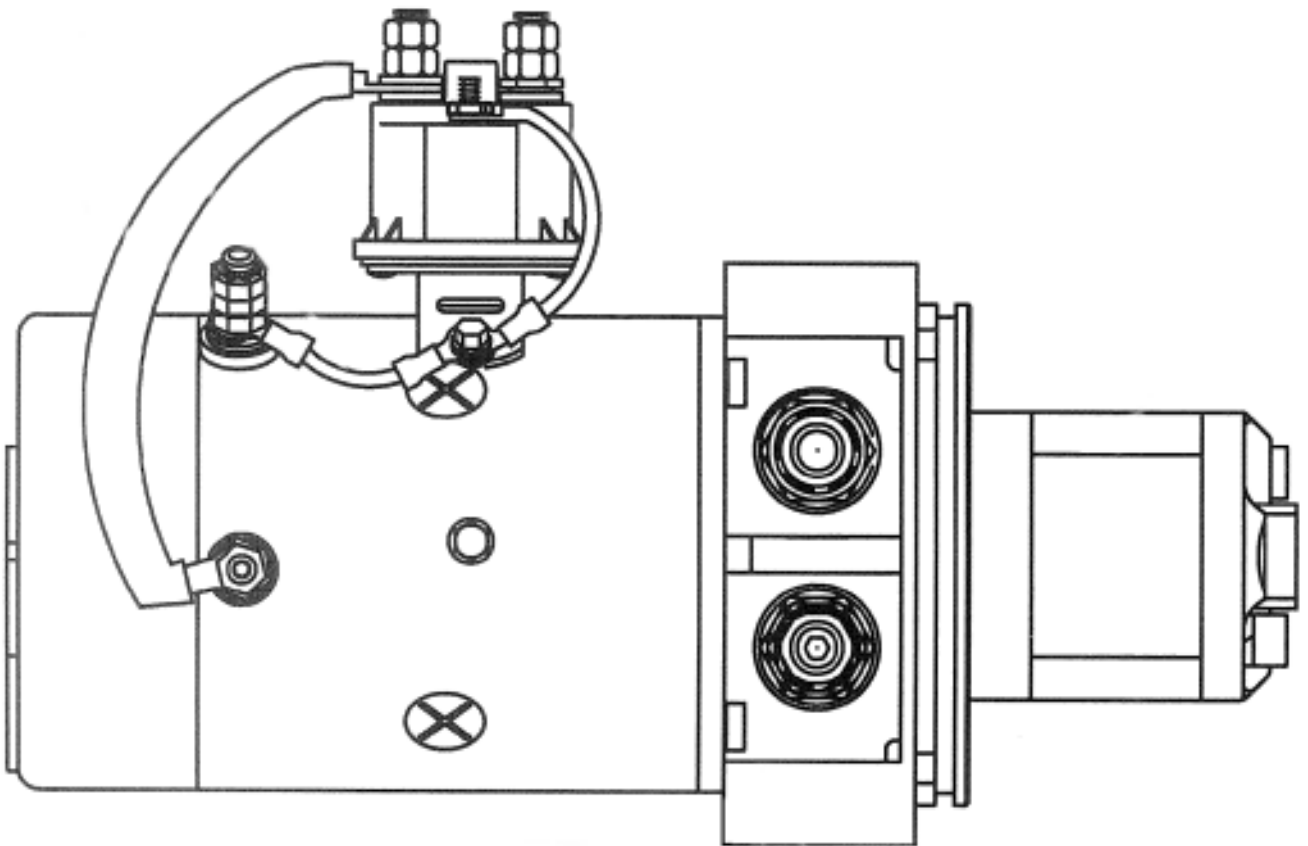


ITEM	PART	PART DESCRIPTION
3	3900031	MTR\HYD\101-1011\5.9CI
	7501038	UNI SEAL KIT 007-009
3	3900044	MTR\HYD\23.9CID\SAE"C"
	3900054	KIT\SEAL\6000ORBIT\REAR
	3900055	KIT\SEAL\6000ORBIT\SHAFT
1	6200021	KEY\SQ\3/8X1-1/2\HARDEND
3	3900045	MTR\HYD\6.2CID\SAE"A"
	7501005	KIT\SEAL\2000ORBIT
1	6200093	KEY\SQ\10MMX10MMX40MM

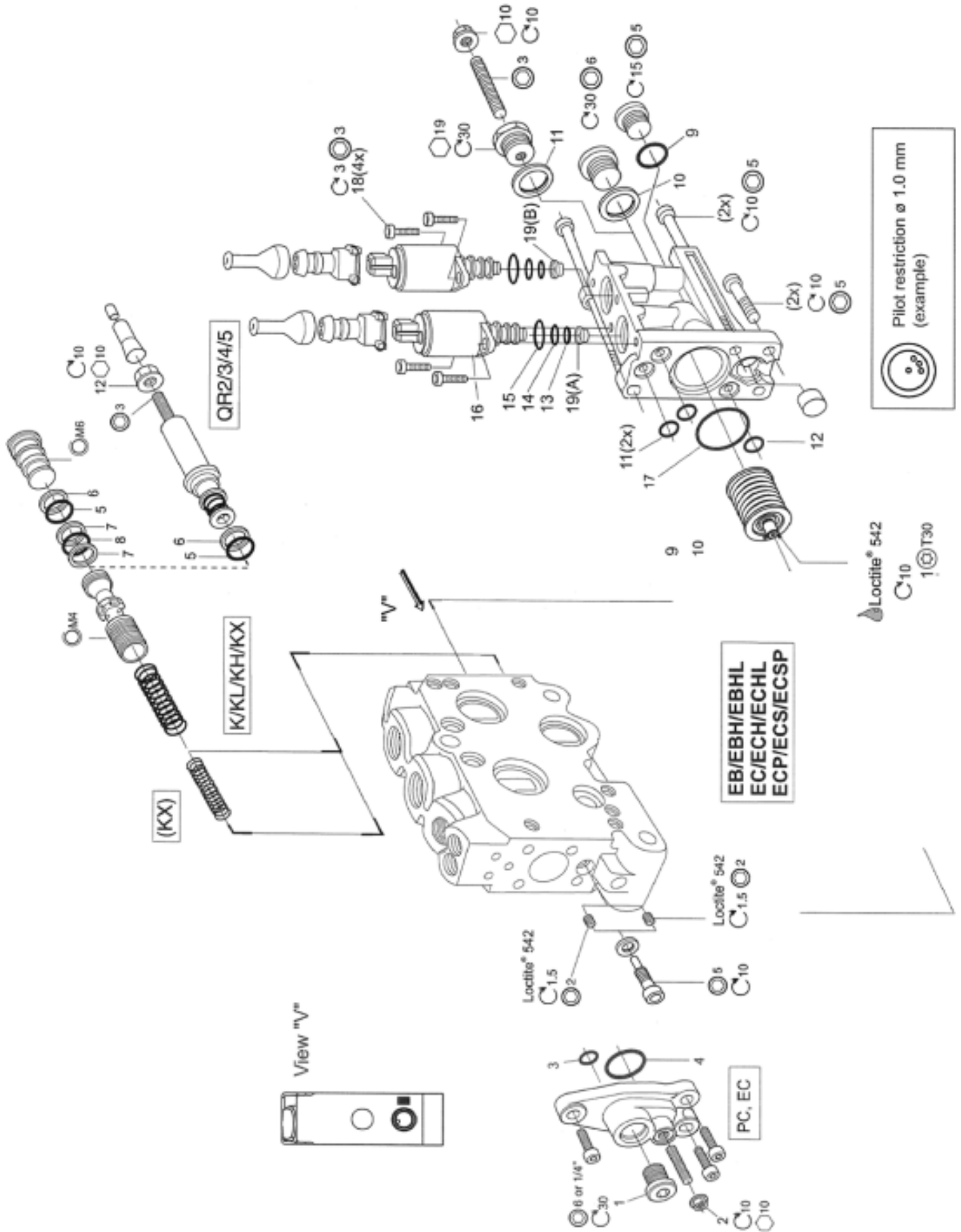
4000304 24V POWER UNIT

4000304 UNIT\PWR\24V\W/O RES

PART	PART DESCRIPTION
4000457	KIT\SEAL\4000304 KTI PUMP
5700635	RELAY\24V\



4000310 CENTER SECTIONS



4000310 CENTER SECTIONS

4000409VALVEHYD\CAR&SOL\PRPRTN

16	1	CARTRIDGE, SOLENOID AND SEALS
18	2	SCREWS
19	1	ORIFICE

Note - replacement orifice is not the same size as the original orifice.
Reuse original orifice if possible

4000488VALVEHYD\KIT\SEAL\CAR&SOL\PRPRTNL

13	1	O-ring
14	1	O-ring
15	1	O-ring

4000489VALVEHYD\KIT\SEAL\CAR\END;SECTION

9	1	O-ring
10	1	Seal
11	2	O-ring
12	1	O-ring
17	1	O-ring

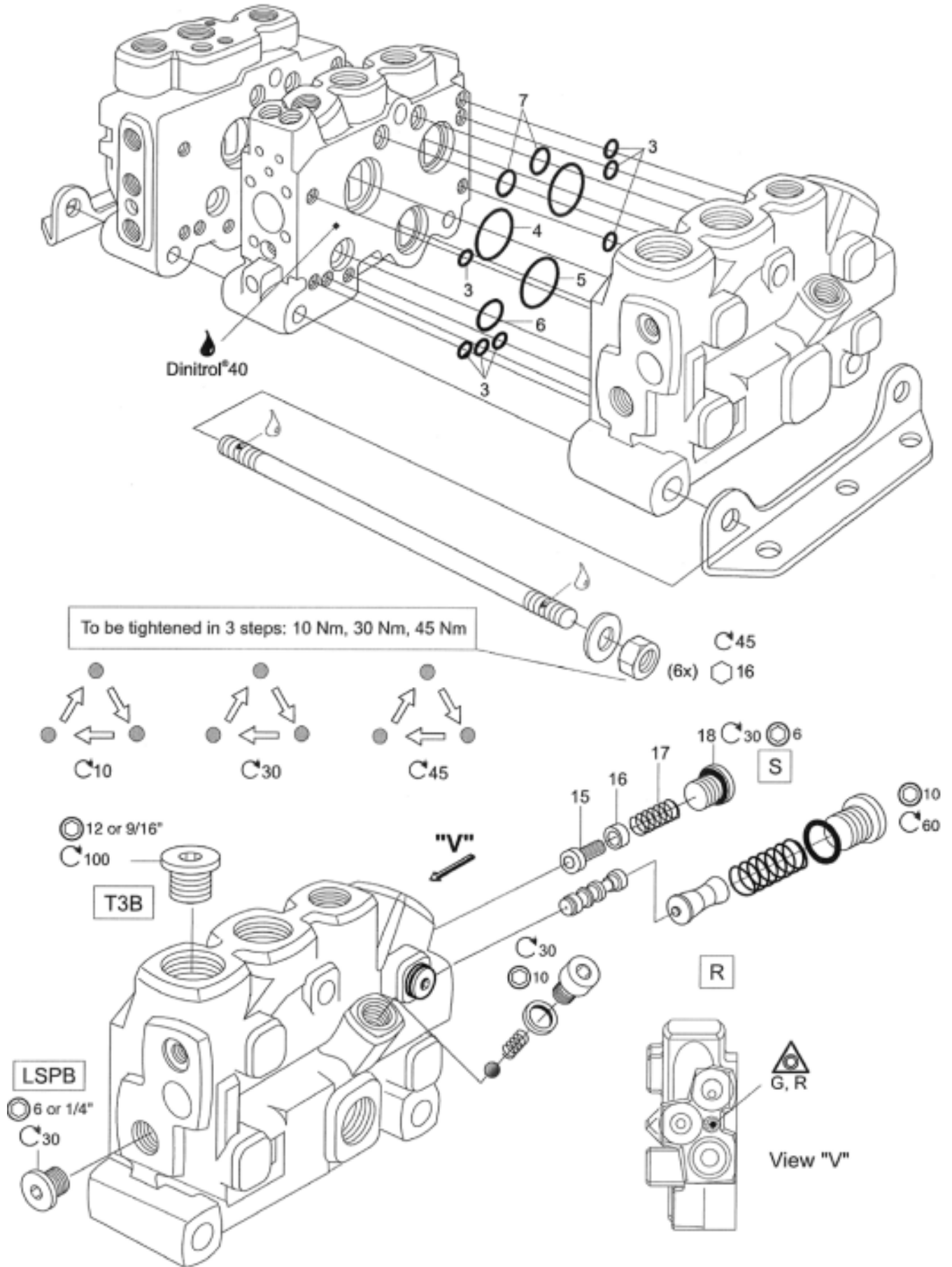
4000490VALVEHYD\KIT\SEAL\COMPENSATOR

5	1	O-ring
6	1	O-ring
7	2	O-ring
8	1	O-ring

4000493VALVEHYD\KIT\SEAL\EC END

1	1	plug
2	1	nut
3	1	O-ring
4	1	O-ring

4000310 TIE ROD AND END SECTIONS



4000310 TIE ROD AND END SECTIONS

4000491 VALVE\HYD\KIT\SEAL&STRAINER

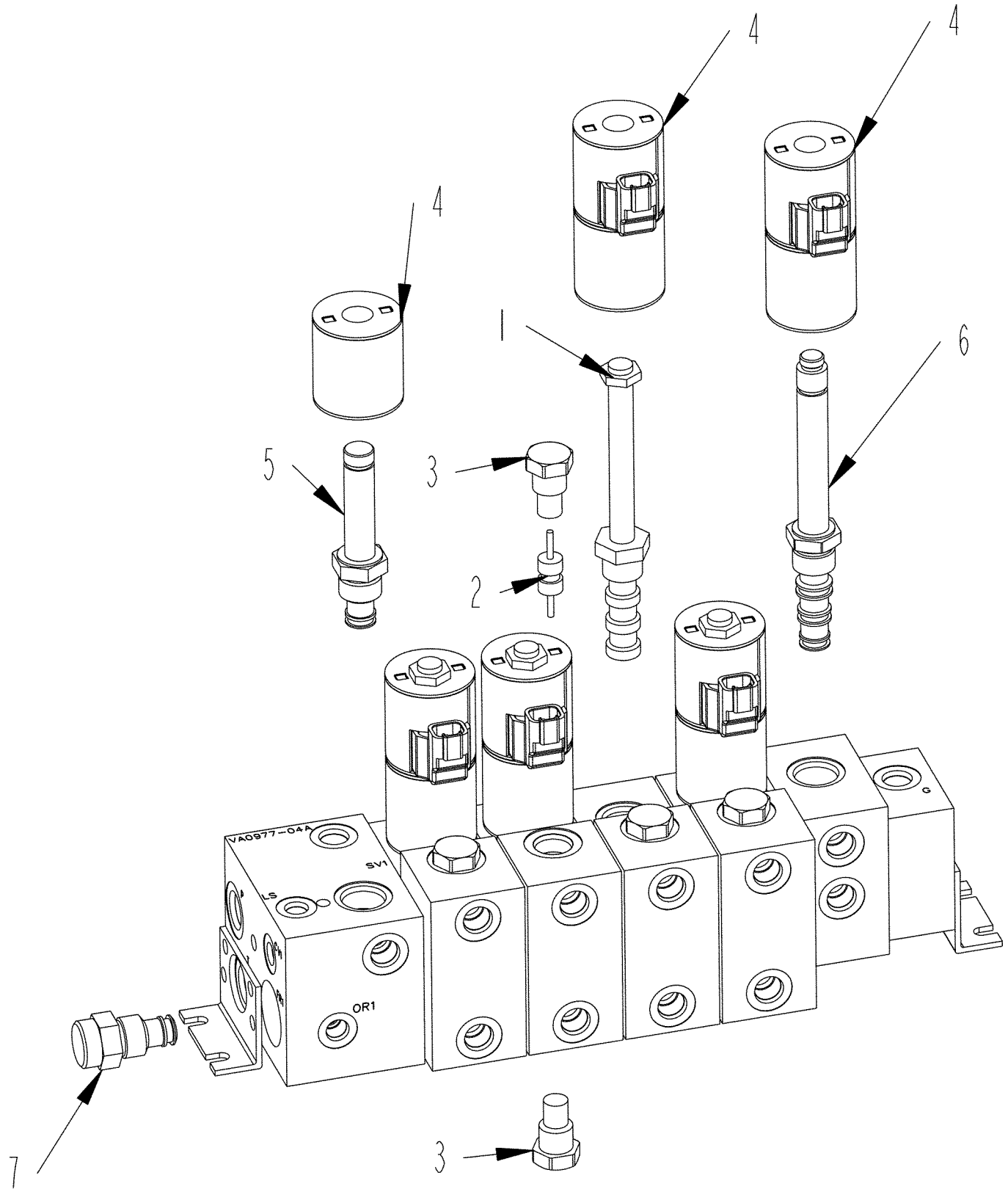
15	1	strainer
16	1	spacer
17	1	spring
18	1	plug

Note - The strainer (#15) can be removed and flushed to remove contaminants.
If it is damaged, replace the strainer

4000492 VALVE\HYD\KIT\BETWEEN SECTIONS

3	7	O-ring
4	2	O-ring
5	1	O-ring
6	1	O-ring
7	2	O-ring

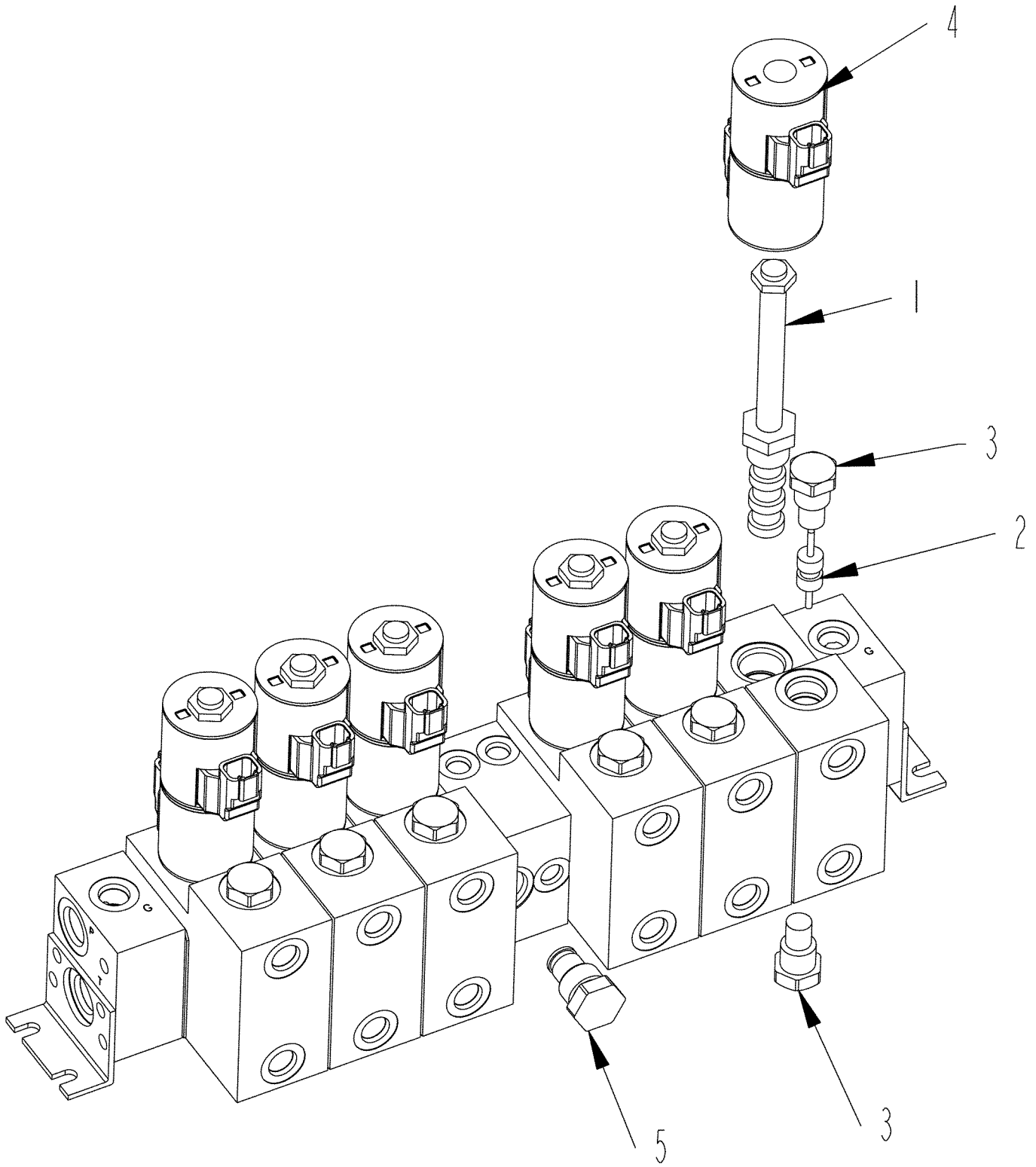
HYDRAULIC AUXILLARY VALVE - 5 BANK - 4000309



HYDRAULIC AUXILLARY VALVE - 5 BANK - 4000309

ITEM	PART	QTY.	PART DESCRIPTION
1	4000228	4	VALVE\HYD\CART\3POS,4WAY
2	4000230	4	VALVE\HYD\PILOT\PISTON
3	4000231	8	VALVE\CHECK\CART\
4	4000407	11	VALVE\HYD\SOL\24V\10\DTZ\W/DIODE
5	4000447	1	VALVE\HYD\CART\2POS,3WAY\SV1020
6	4000448	1	VALVE\HYD\CART\3POS,4WAY\CL
7	4000449	1	VALVE\HYD\FLO;CNTRL\5.5GPM\PRESS COMPENSATED
	4000309		VALVE\HYD\5BANK\AUXILLARY

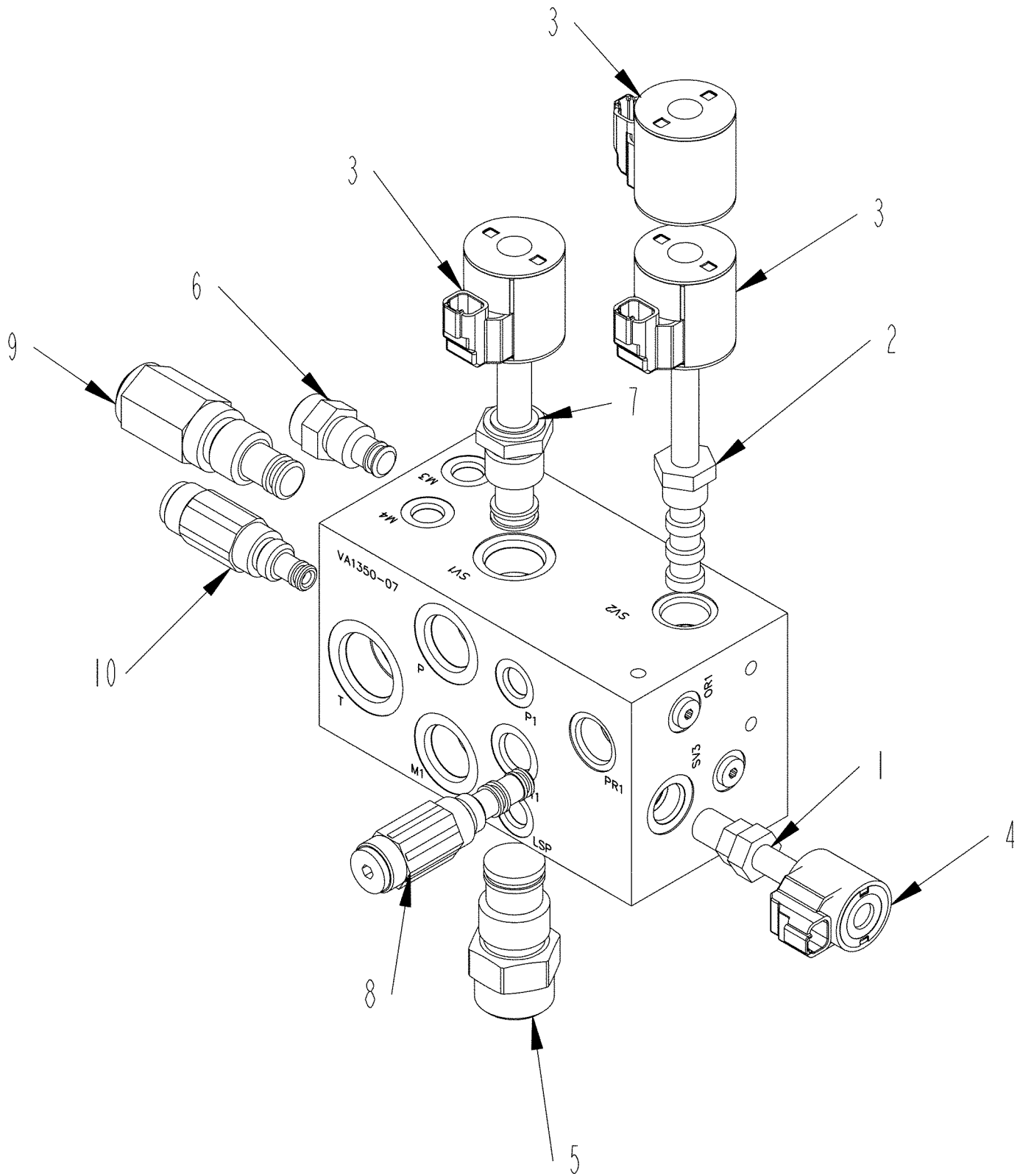
HYDRAULIC SET-UP VALVE - 6 BANK - 4000311



HYDRAULIC SET-UP VALVE - 6 BANK - 4000311

ITEM	PART	QTY.	PART DESCRIPTION
1	4000228	6	VALVE\HYD\CART\3POS,4WAY
2	4000230	6	VALVE\HYD\PILOT\PISTON
3	4000231	12	VALVE\CHECK\CART\
4	4000407	12	VALVE\HYD\SOL\24V\10\DTZ\W/DIODE
5	4000446	1	VALVE\CHECK\CART\CV1020
	4000311		VALVE\HYD\6BANK\SETUP

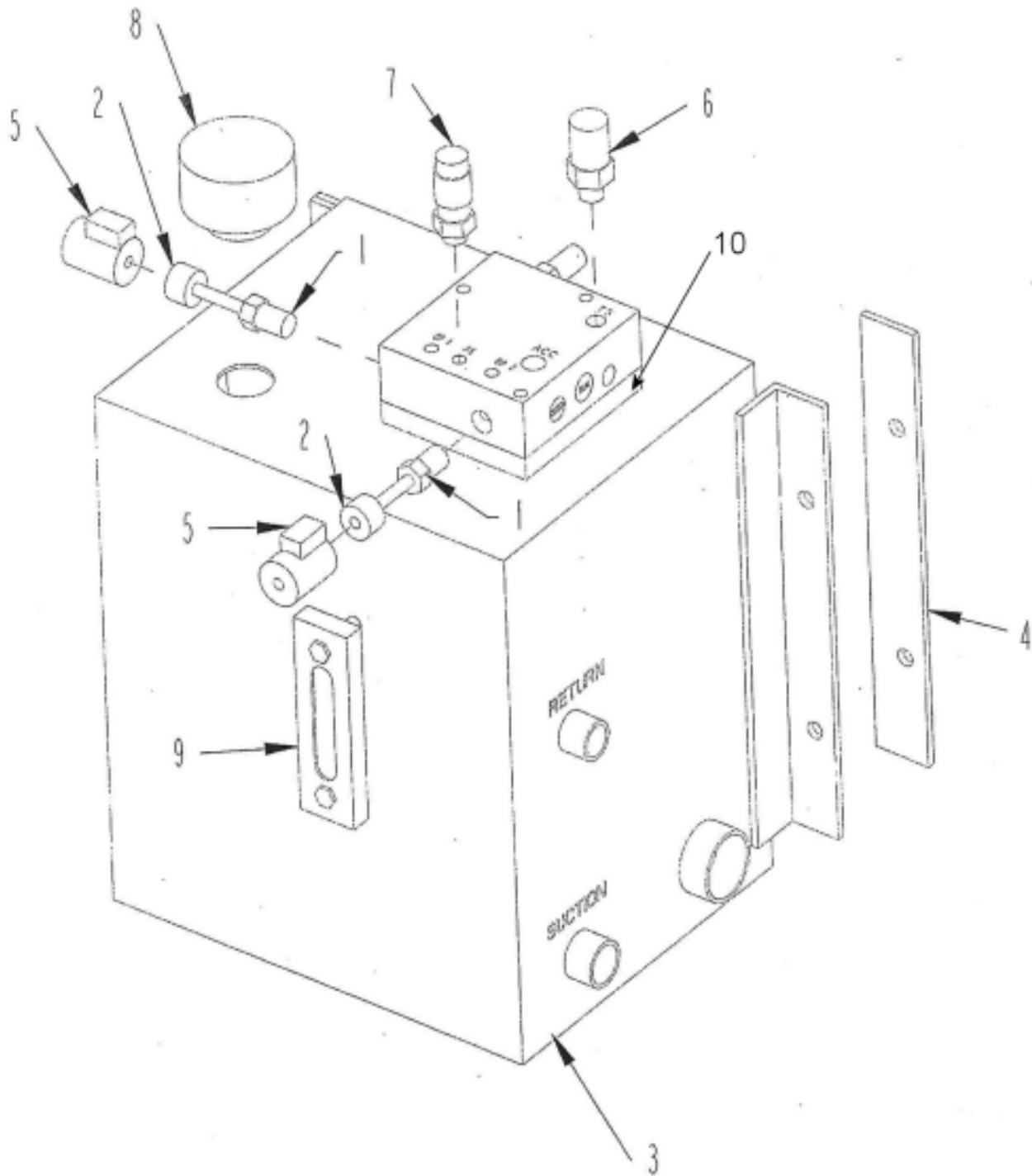
HYDRAULIC DISCHARGE CONVEYOR VALVE - 3 BANK - 4000338



HYDRAULIC DISCHARGE CONVEYOR VALVE - 3 BANK - 4000338

ITEM	PART	QTY.	PART DESCRIPTION
1	4000179	1	VALVE\HYD\CART\UNLDR
2	4000228	1	VALVE\HYD\CART\3POS,4WAY
3	4000407	3	VALVE\HYD\SOL\24V\E10\DTZ\W/DIODE
4	4000444	1	VALVE\HYD\SOL\24V\E8\DTZ\
5	4000450	1	VLV\HYD\FLOW;CNTRL\17GPM\PRESS COMP
6	4000451	1	VALVE\HYD\FLOW;CNTRL\2.0GPM\PRESS COMP
7	4000452	1	VALVE\HYD\CART\2POS\NC
8	4000453	1	VALVE\HYD\CART\PRESS REDUCE 900 PSI
9	4000454	1	VLV\HYD\RELIEF\CART\3500PSI
10	4000455	1	VLV\HYD\RELIEF\CART\1200PSI
	4000338		VALVE\HYD\3BANK\LS\24V

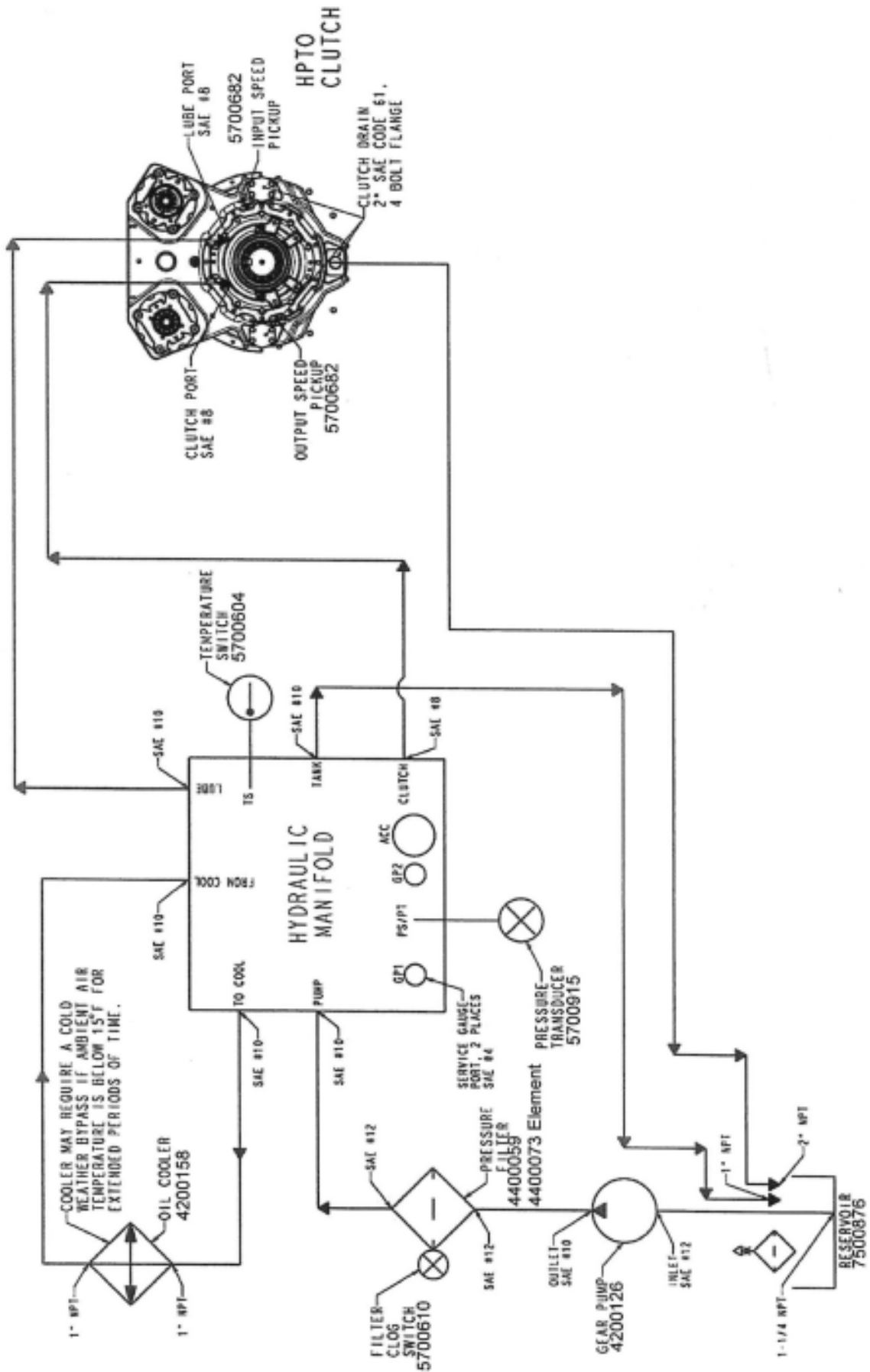
HYDRAULIC CLUTCH TANK



HYDRAULIC CLUTCH TANK

ITEM	PART	QTY.	PART DESCRIPTION
1	4000290	2	VALVE\HYD\CART\2POS
2	4000434	2	NUT;O-RING\CART\HPTO
3	7500876	1	TANK\HYD\15G\15-1/2X17-1/2X12-3/4\HPTO (INCLUDES #8, #9 & #10)
4	4704724	2	PAD\TANK\HYD\CLUTCH
5	5700595	2	VALVE\CLTCH\SOL\24V\770\DEUTSCH
6	5700604	1	SWITCH\TEMP\200\NC
7	5700915	1	TRNSDCR\PRSSW\DEUTSCH\PTTECH
8	7500988	1	CAP\FILLER\BREATHER\HPTO
9	7500996	1	GAUGE\LEVEL\5W/THERM\HPTO
10	7500987	1	MNT\PL\VALVE\MANIFOLD\PT

9564 HPTO CLUTCH HYD SCHEMATIC



9564 HYDRAULIC HOSES

PART	QTY	DESCRIPTION
3700766	1	HOSE\HYD\3/8X78\3/4MJCX9/16FJC PORT T3 BELLY CONVEYOR ORBIT CONTROL VALVE TO TUBELINE
3700890	1	HOSE\HYD\3/8X28\3/4MJCX9/16FJC BELLY ORBIT CASE DRAIN PORT TO TUBELINE
3700997	2	HOSE\HYD\1/2X26\3/4FJICSX3/4FJIC90 UPPER PORT COUNTER BALANCE VALVE TO INNER PORT FR MOTOR LOWER PORT COUNTER BALANCE VALVE TO OUTER PORT FR MOTOR
3701082	2	HOSE\HYD\3/8X406\9/16FJICS ROD END TAILGATE CYL. TO AUX. VALVE LEFT SIDE CAP END TAILGATE CYL TO AUX VALVE LEFT SIDE
3701083	2	HOSE\HYD\3/8X271\3/4MJCX9/16FJIC ROD END TAILGATE CYL TO UPPER TUBELINE RIGHT SIDE CAP END TAILGATE CYL TO LOWER TUBELINE RIGHT SIDE
3701084	2	HOSE\HYD\3/8X133\3/4MJICX9/16FJIC\90 AUX VALVE TO TUBELINE RIGHT SIDE TAILGATE AUX VALVE TO TUBELINE RIGHT SIDE TAILGATE
3701085	1	HOSE\HYD\3/8X102\3/4MJCX9/16FJIC CAP END RF JACK TO INSIDE UPPER TUBELINE
3701086	1	HOSE\HYD\3/8X97\3/4MJICSX9/16FJICS ROD END RF JACK TO OUTSIDE UPPER TUBELINE
3701087	4	HOSE\HYD\3/8X145\3/4MJCX9/16FJIC AUX VALVE TO RF JACK TUBE (INSIDE UPPER) AUX VALVE TO RF JACK TUBE (OUTSIDE UPPER) AUX VALVE TO LF JACK TUBE (INSIDE MIDDLE TUBE) AUX VALVE TO LF JACK TUBE (OUTSIDE MIDDLE TUBE)
3701088	1	HOSE\HYD\3/8X16\3/4MJCX9/16FJIC ROD END LF JACK TO OUTSIDE LOWER TUBELINE
3701089	1	HOSE\HYD\3/8X20\3/4MJCX9/16FJIC CAP END LF JACK TO INSIDE LOWER TUBELINE
3701090	1	HOSE\HYD\3/8X96\3/4FJICX9/16FJIC TOP PORT SCREEN VALVE TO TEE ON ROD END LEFT SCREEN CYL.
3701091	1	HOSE\HYD\3/8X91\3/4FJICX9/16FJIC BOTTOM PORT SCREEN VALVE TO TEE ON CAP END LEFT SCREEN CYL
3701092	1	HOSE\HYD\3/8X75\3/4FJC90X9/16FJC TEE ON CAP END OF LEFT SCREEN CYL. TO CAP END RIGHT SCREEN CYL.

9564 HYDRAULIC HOSES

PART	QTY	DESCRIPTION
3701093	1	HOSE\HYD\3/8X64\3/4FJC90X9/16FJC TEE ON ROD END OF LEFT SCREEN CYL. TO ROD END RIGHT SCREEN CYL.
3701094	1	HOSE\HYD\3/8X244\9/16FJICS AUX VALVE TO ROD END OF SWING CYLINDER
3701095	1	HOSE\HYD\3/8X235\9/16FJICS AUX VALVE TO CAP END OF SWING CYLINDER
3701096	2	HOSE\HYD\3/8X235\9/16FJICS AUX VAVLE TO UPPER DIVIDER BLOCK (CONVEYOR LIFT) AUX VAVLE TO UPPER DIVIDER BLOCK (CONVEYOR LIFT)
3701097	2	HOSE\HYD\3/8X110\9/16FJICS UPPER PORT DIVIDER BLOCK TO ROD END OF LEFT CYL (LIFT) UPPER PORT DIVIDER BLOCK TO ROD END OF RIGHT CYL (LIFT)
3701098	2	HOSE\HYD\3/8X57\9/16FJIC45X9/16FJICS LOWER PORT DIVIDER BLOCK TO CAP END OF LEFT CYL (LIFT) LOWER PORT DIVIDER BLOCK TO CAP END OF RIGHT CYL (LIFT)
3701099	2	HOSE\HYD\3/8X287\9/16FJICS AUX VALVE TO LOWER DIVIDER BLOCK (CONVEYOR FOLD) AUX VALVE TO LOWER DIVIDER BLOCK (CONVEYOR FOLD)
3701100	2	HOSE\HYD\3/8X218\9/16FJICS UPPER PORT DIVIDER BLOCK TO ROD END OF LEFT CYL (FOLD) UPPER PORT DIVIDER BLOCK TO ROD END OF RIGHT CYL (FOLD)
3701101	2	HOSE\HYD\3/8X187\9/16FJIC45X9/16FJICS LOWER PORT DIVIDER BLOCK TO CAP END OF LEFT CYL (FOLD) LOWER PORT DIVIDER BLOCK TO CAP END OF RIGHT CYL (FOLD)
3701102	1	HOSE\HYD\3/8X147\9/16FJIC CAP END OF LEFT REAR JACK TO AUX VALVE
3701103	1	HOSE\HYD\3/8X167\9/16FJICS ROD END OF LEFT REAR JACK TO AUX VALVE
3701104	1	HOSE\HYD\3/8X237\9/16FJICS ROD END OF RIGHT REAR JACK TO AUX VALVE
3701105	1	HOSE\HYD\3/8X217\9/16FJICS CAP END OF RIGHT REAR JACK TO AUX VALVE
3701106	1	HOSE\HYD\3/8X227\9/16FJICX9/16FJC90 ROD END RIGHT MILL COVER CYL TO TEE ON SCREEN VALVE

9564 HYDRAULIC HOSES

PART	QTY	DESCRIPTION
3701107	1	HOSE\HYD\3\8X205\9\16FJCX9\16FJC90 CAP END RIGHT MILL COVER CYL TO TEE ON SCREEN VALVE
3701108	1	HOSE\HYD\3\8X160\9\16FJCX9\16FJC90 ROD END LEFT MILL COVER CYL TO TEE ON SCREEN VALVE
3701109	1	HOSE\HYD\3\8X138\9\16FJCX9\16FJC90 CAP END LEFT MILL COVER CYL TO TEE ON SCREEN VALVE
3701110	1	HOSE\HYD\3\8X92\9\16FJIC OIL RESERVOIR TO SUCTION PORT OF 12 VOLT PUMP
3701111	2	HOSE\HYD\3\8X15\9\16FJICS 12 VOLT PUMP TO AUX VALVE 12 VOLT PUMP TO AUX VALVE
3701112	2	HOSE\HYD\3\8X12\9\16FJCX9\16FJC90 AUX VALVE TO AUX VALVE AUX VALVE TO AUX VALVE
3701113	2	HOSE\HYD\3\8X10\9\16FJCX9\16FJC90 P PORT TO AUX VALVE TO P PORT SINGLE BANK L\$ PORT AUX VALVE TO L\$P PORT SINGLE BANK
3701114	1	HOSE\HYD\3\8X13\9\16FJCX9\16FJC90 T PORT AUX VALVE TO T1 PORT SINGLE BANK
3701115	1	HOSE\HYD\3\4X409\1-5\16MJICX1-1\16FJIC M1 PORT SINGLE BANK TO UPPER CONVEYOR TUBELINE
3701116	1	HOSE\HYD\3\4X416\1-5\16MJICX1-1\16FJIC\90 M2 PORT SINGLE BANK TO LOWER CONVEYOR TUBELINE
3701117	2	HOSE\HYD\3\4X58\1-5\16MJICX1-1\16FJIC\90 END OF CONVEYOR ORBIT MOTOR TO TUBELINE END OF CONVEYOR ORBIT MOTOR TO TUBELINE
3701118	1	HOSE\HYD\1X76\1-5\16FJCX1-5\8FJIC P PORT SINGLE BANK TO PRESSURE PORT UPPER PUMP
3701119	1	HOSE\HYD\1X109\1-5\16FJICX1-5\16FJIC T PORT SINGLE BANK TO FRONT FILTER ON OIL RESERVOIR
3701120	1	HOSE\HYD\3\8X69\9\16FJC90X9\16FJC LS PORT SINGLE BANK TO LOADSENSE PORT OF UPPER PUMP
3701121	2	HOSE\HYD\3\8X35\9\16FJICSX9\16FJIC90 LOWER SCREEN PORT SINGLE BANK TO TUBELINE UPPER SCREEN PORT SINGLE BANK TO TUBELINE

9564 HYDRAULIC HOSES

PART	QTY	DESCRIPTION
3701122	1	HOSE\HYD\2X28\2-1/2FJIC\2-1/2FLGX2-1/2BARB\HE\WFRRL\CODE61 SUCTION PORT UPPER PUMP TO TANK
3701123	1	HOSE\HYD\3/4X62\1-1/16FJICX1-5/16FJIC CASE DRAIN UPPER PUMP TO TANK
3701124	1	HOSE\HYD\3/4X101\1-1/16FJICX1-5/16FJIC\90 CASE DRAIN LOWER PUMP TO TANK
3701125	1	HOSE\HYD\3/8X86\3/4MJICX9/16FJIC\90 LOADSENSE PORT LOWER PUMP TO TUBELINE
3701126	2	TUBE\STL\1X.120 WALL X 96 9564-TUBELINE
3701127	1	HOSE\HYD\1X42\1-5/8MJICX1-5/16FJIC PRESSURE PORT LOWER PUMP TO TUBELINE
3701128	1	HOSE\HYD\3/4X82\1-1/16FJC90X1-1/16FJC PRESSURE PORT CLUTCH PUMP TO FILTER
3701129	1	HOSE\HYD\3/4X78\1-5/16FJICX1-5/16FJIC SUCTION PORT OF CLUTCH PUMP TO CLUTCH RESERVOIR (LOWER PORT TANK)
3701130	2	HOSE\HYD\3/4X40\1-1/16FJC90X1-1/16FJC LUBE PORT ON CLUTCH TO LUBE PORT ON VALVE CLUTCH PORT ON CLUTCH TO CLUTCH PORT ON VALVE
3701131	1	HOSE\HYD\3/4X40\1-1/16FJICX1-1/16FJIC\90 TANK PORT OF CLUTCH VALVE TO UPPER PORT TANK
3701132	1	HOSE\HYD\2X41\2-1/2FJIC\2-1/2FLGX2-1/2BARB\HE\WFRRL\CODE61 CASE DRAIN ON CLUTCH TO CLUTCH RESERVOIR
3701133	2	HOSE\HYD\3/4X69\1-5/16MJICX1-1/16FJIC TOO COOL PORT VALVE TO TUBELINE FROM COOL PORT VALVE TO TUBELINE
3701134	1	HOSE\HYD\3/4X24\1-1/16FJC90X1-1/16FJC CLUTCH FILTER OUTLET TO CLUTCH VALVE INLET PRESSURE
3701135	1	HOSE\HYD\3/8X51\3/4MJICX9/16FJC 3 BANK VALVE CASE DRAIN TUBELINE TO TANK
3701136	1	HOSE\HYD\1-1/2X16\1-7/8FJ90DEGX1-7/8FJC UPPER COOLER PORT TO BYPASS VALVE
3701137	1	HOSE\HYD\1-1/2X142\1-7/8FJ90DEGX1-7/8FJC TEE OF BYPASS VALVE TO REAR FILTER

9564 HYDRAULIC HOSES

PART	QTY	DESCRIPTION
3701138	1	HOSE\HYD\1-1/2X45\1-7/8FJ90DEGX1-7/8FJC BYPASS VALVE TO LOWER COOLER PORT TEE
3701139	2	HOSE\HYD\3/8X77\3/4MJCX9/16FJC SCREEN TUBELINE TO BULK HEAD SCREEN TUBELINE TO BULK HEAD
3701140	1	HOSE\HYD\3/4X88\1-5/16MJICX1-1/16FJIC CLUTCH VALVE TUBELINE TO UPPER COOLER PORT
3701141	1	HOSE\HYD\3/4X29\1-5/16MJICX1-1/16FJIC CLUTCH VALVE TUBELINE TO LOWER COOLER PORT
3701142	2	HOSE\HYD\3/8X97\9/16FJIC45X9/16FJICS BULKHEAD TO SCREEN ORBIT MOTOR BULKHEAD TO SCREEN ORBIT MOTOR
3701143	2	HOSE\HYD\3/4X27\1-5/16MJCX1-1/16FJIC45 OUTER PORT BELLY ORBIT MOTOR TO UPPER TUBELINE INNER PORT BELLY ORBIT MOTOR TO LOWER TUBELINE
3701144	1	HOSE\HYD\3/4X62\1-5/16MJICX1-1/16FJIC UPPER BELLY MOTOR TUBELINE TO BC PRESSURE BLOCK
3701145	1	HOSE\HYD\3/4X18\1-1/16FJICX1-1/16FJC BC PRESSURE BLOCK TO 3 BANK VALVE PORT (A) BC FUNCTION
3701146	1	HOSE\HYD\3/4X87\1-5/16MJICX1-1/16FJIC LOWER BELLY MOTOR TUBELINE TO PORT (B) BC FUNCTION
3701147	1	HOSE\HYD\3/4X33\1-1/16MJCX1-1/16FJIC UPPER FF TUBELINE TO PORT (B) OF FF FUNCTION (3 BANK)
3701148	1	HOSE\HYD\3/4X18\1-5/16MJICX1-1/16FJIC LOWER FF TUBELINE TO FF PRESSURE BLOCK
3701149	1	HOSE\HYD\3/4X26\1-1/16FJICX1-1/16FJC PORT (A) FF FUNCTION 3 BANK TO FF PRESSURE BLOCK
3701150	1	HOSE\HYD\3/4X32\1-1/16FJIC90X1-1/16FJC UPPER FF TUBELINE TO FORWARD FF ORBIT MOTOR PORT
3701151	1	HOSE\HYD\3/4X29\1-1/16MJCX1-1/16FJIC LOWER FF TUBE LINE TO REAR FF ORBIT MOTOR PORT
3701152	1	HOSE\HYD\1/2X21\3/4FJICX3/4FJIC90 PORT A FR FUNCTION 3 BANK TO FR PRESSURE BLOCK
3701153	1	HOSE\HYD\1/2X136\FJIC-FJIC FR PRESSURE BLOCK TO LOWER PORT OF COUNTER BALANCE VALVE

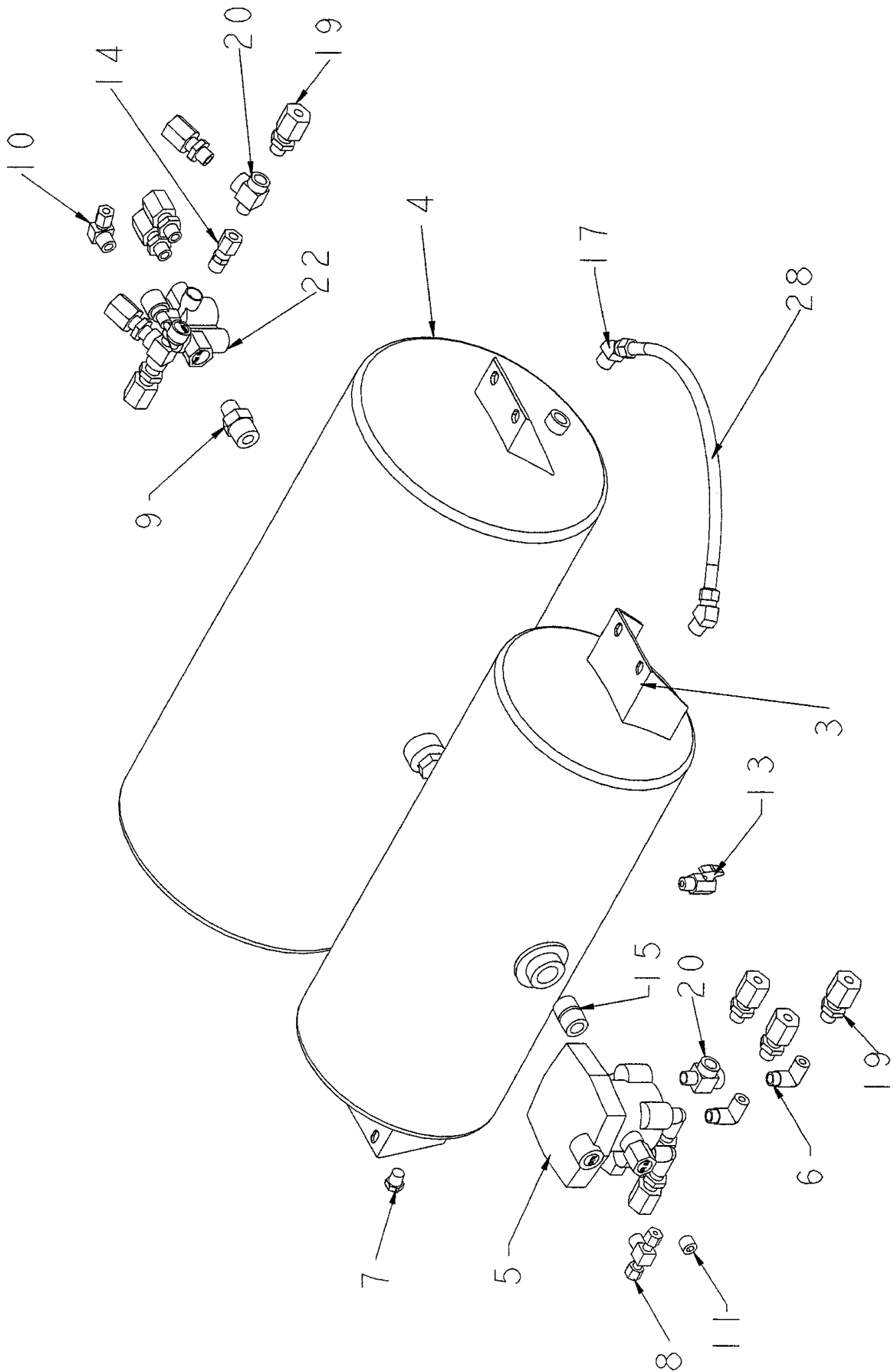
9564 HYDRAULIC HOSES

PART	QTY	DESCRIPTION
3701154	1	HOSE\HYD\1/2X156\3/4FJICX3/4FJIC PORT B FR FUNCTION 3 BANK TO UPPER PORT COUNTER BALANCE VALVE
3701155	2	HOSE\HYD\1/2X99\3/4FJICX3/4FJIC OUTER PORT RIGHT FR MOTOR TO INNER PORT LEFT FR MOTOR INNER PORT RIGHT FR MOTOR TO OUTER PORT LEFT FR MOTOR
3701156	1	HOSE\HYD\3/8X45\9/16FJIC45X9/16FJICS BC PRESSURE BLOCK TO BC GAUGE
3701157	1	HOSE\HYD\3/8X15\9/16FJIC45X9/16FJICS FF PRESSURE BLOCK TO FF GAUGE
3701158	1	HOSE\HYD\3/8X28\9/16FJIC45X9/16FJICS FR PRESSURE BLOCK TO FR GAUGE
3701159	2	HOSE\HYD\3/4X28\1-5/16FJICX1-5/16FJIC T1 PORT 3 BANK TO TEE'S ON LOWER COOLER PORT T2 PORT 3 BANK TO TEE'S ON LOWER COOLER PORT
3701160	1	HOSE\HYD\1X18\1-5/8MJICX1-5/16FJIC PRESSURE TUBELINE TO P1 PORT 3 BANK VALVE
3701161	1	HOSE\HYD\3/4X27\1-1/16FJC90X1-5/16FJC TEE ON P1 PORT 3 BANK TO P2 PORT 3 BANK VALVE
3701162	1	HOSE\HYD\3/8X36\3/4MJCX9/16FJC LS PORT 3 BANK VALVE TO TUBELINE
3701163	1	HOSE\HYD\3/8X33\3/4MJCX9/16FJC TP PORT 3 BANK VAVLE TO CASE DRAIN TUBELINE
3701164	4	TUBE\STL\3/4X.049 WALL X 142 9564-LEFT SIDE TUBE LINES
3701165	2	TUBE\STL\3/4X.083 WALL X 72 9564-RIGHT SIDE TUBE LINES
3701166	2	TUBE\STL\1/2X.049 WALL X 72 9564-RIGHT SIDE TUBE LINES
3701167	2	TUBE\STL\1X.095 WALL X 132 9564-CONVEYOR TUBE LINES
3701168	1	TUBE\STL\1-1/4X.120 WALL-20\U-SHAPED 9564-COOLER SUPPLY & RETURN LINES
3701169	2	TUBE\STL\1X.120 WALL-20\Z-SHAPED 9564-COOLER SUPPLY & RETURN LINES

9564 HYDRAULIC HOSES

PART	QTY	DESCRIPTION
3701170	4	TUBE\STL\1/2X.083 WALL X 72 9564-HIGH PRESSURE SUPPLY LINE FOR 3 BANK VALVE RIGHT HAND SIDE
3701171	1	TUBE\STL\1/2X.049 WALL X 96 9564-TUBELINE

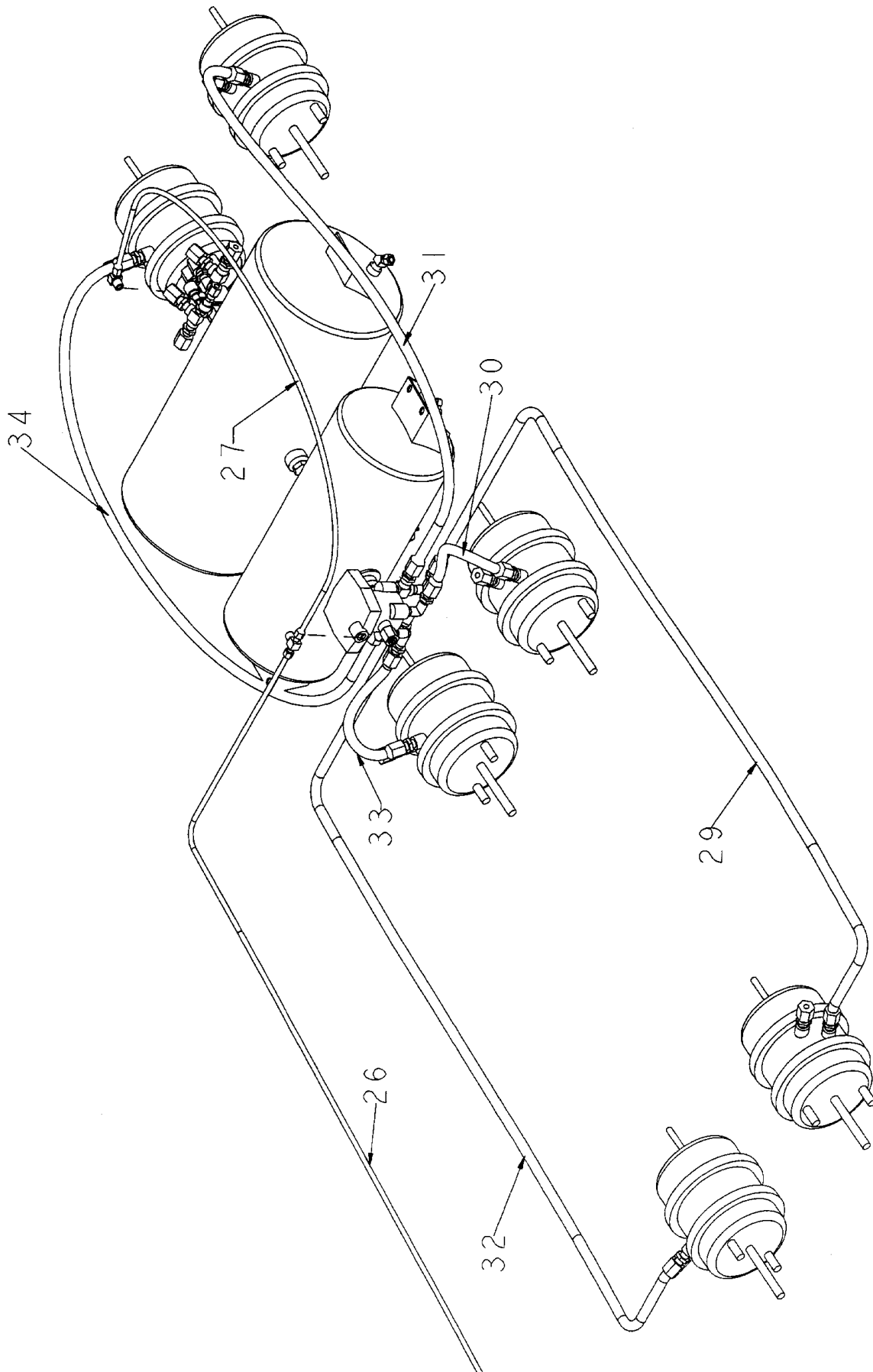
STANDARD AIR BRAKES



STANDARD AIR BRAKES

ITEM	PART	QTY.	PART DESCRIPTION
1	4012-BRAKES - STANDARD - VERSION	1	4012- BRAKES - STANDARD - VERSION
2	2500632	6	30/30\AIRCHMBR\BRK\KIT\4012
3	2500909	1	AIR TANK SMALL 2001
4	2500919	1	TANK\AIR\2880\1BUNG\2SIDE
5	2500962	1	VALVE\BRAKE\RELY\SERVI 39
6	3800031	4	FTG\3/8MPX3/8FP\90\ST;EL
7	3800173	2	FTG\3/8MP\PLUG\HEX
8	3800190	1	FTG\AIR\3/8COMPX3/8COMPX3/8MP\BR;TEE
9	3800193	1	FTG\3/4MPX1/2MP\NPL
10	3800194	1	FTG\AIR\3/8COMPX3/8MP\90
11	3800326	1	FTG\3/8MP\PLUG\ALN
12	3800441	2	FTG\3/4MP\PLUG\HEX
13	3800518	2	FTG\AIR\1/4MP\DRAIN\BRS
14	3800520	1	FTG\AIR\1/2COMPX3/8MP\ADPT~BRS\LW
15	3800573	1	FTG\3/4MP\CLS;NPL\LW
16	3800902	2	FTG\AIR\1/2MPX1/4FP\BLKHD
17	3800776	2	FTG\AIR\1/2COMPX3/8MP\45D
18	3800782	1	FTG\AIR\3/8COMPX1/4MP\ADPT\BRS\LW
19	3800785	24	FTG\AIR\3/8COMPRUBX3/8MP\ADPT\LW
20	3800786	4	FTG\BRS\3/8MPX3/8FPX3/8FP
21	3800787	1	FTG\AIR\1/2COMPX1/4MP\ADPT\BRS\LW
22	7500460	1	VALVE\BRAKE\CNTRL\SPRING
23	7500461	1	GLAD HAND SERVICE
24	7500462	1	GLAD HAND EMERGENCYI
25	AIR-1-4012-US-VERSION	1	
26	AIR-2-4012-US-VERSION	1	
27	AIR-3-4012-US-VERSION	1	
28	AIR-5-4012-US-VERSION	1	
29	AIR-11-4012-US-VERSION	1	
30	AIR-12-4012-US-VERSION	1	
31	AIR-13-4012-US-VERSION	1	
32	AIR-14-4012-US-VERSION	1	
33	AIR-15-4012-US-VERSION	1	
34	AIR-16-4012-US-VERSION	1	
35	AIR-21-4012-US-VERSION	1	
36	AIR-22-4012-US-VERSION	1	
37	AIR-23-4012-US-VERSION	1	
38	AIR-24-4012-US-VERSION	1	
39	AIR-25-4012-US-VERSION	1	
40	AIR-26-4012-US-VERSION	1	

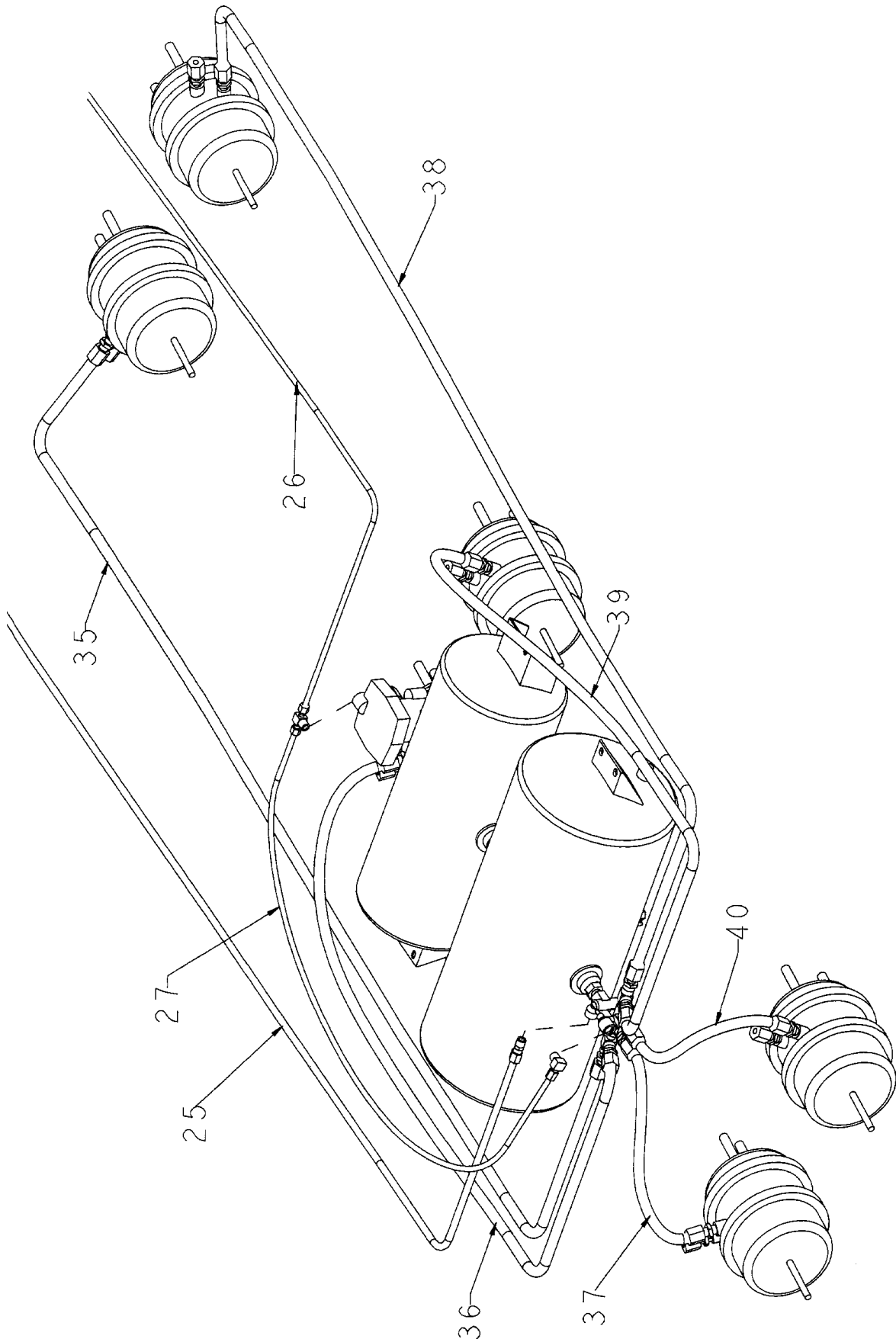
STANDARD AIR BRAKES



STANDARD AIR BRAKES

ITEM	PART	QTY.	PART DESCRIPTION
1	4012-BRAKES - STANDARD - VERSION	1	4012- BRAKES - STANDARD - VERSION
2	2500632	6	30/30\AIRCHMBR\BRK\KIT\4012
3	2500909	1	AIR TANK SMALL 2001
4	2500919	1	TANK\AIR\2880\1BUNG\2SIDE
5	2500962	1	VALVE\BRAKE\RELY\SERV\I 39
6	3800031	4	FTG\3/8MPX3/8FP\90\ST;EL
7	3800173	2	FTG\3/8MP\PLUG\HEX
8	3800190	1	FTG\AIR\3/8COMPX3/8COMPX3/8MP\BR;TEE
9	3800193	1	FTG\3/4MPX1/2MP\NPL
10	3800194	1	FTG\AIR\3/8COMPX3/8MP\90
11	3800326	1	FTG\3/8MP\PLUG\ALN
12	3800441	2	FTG\3/4MP\PLUG\HEX
13	3800518	2	FTG\AIR\1/4MP\DRAIN\BRS
14	3800520	1	FTG\AIR\1/2COMPX3/8MP\ADPT~BRS\LW
15	3800573	1	FTG\3/4MP\CLS;NPL\LW
16	3800902	2	FTG\AIR\1/2MPX1/4FP\BLKHD
17	3800776	2	FTG\AIR\1/2COMPX3/8MP\45D
18	3800782	1	FTG\AIR\3/8COMPXI/4MP\ADPT\BRS\LW
19	3800785	24	FTG\AIR\3/8COMPRUBX3/8MP\ADPT\LW
20	3800786	4	FTG\BRS\3/8MPX3/8FPX3/8FP
21	3800787	1	FTG\AIR\1/2COMPX1/4MP\ADPT\BRS\LW
22	7500460	1	VALVE\BRAKE\CNTRL\SPRING
23	7500461	1	GLAD HAND SERVICE
24	7500462	1	GLAD HAND EMERGENCYI
25	AIR-1-4012-US-VERSION	1	
26	AIR-2-4012-US-VERSION	1	
27	AIR-3-4012-US-VERSION	1	
28	AIR-5-4012-US-VERSION	1	
29	AIR-11-4012-US-VERSION	1	
30	AIR-12-4012-US-VERSION	1	
31	AIR-13-4012-US-VERSION	1	
32	AIR-14-4012-US-VERSION	1	
33	AIR-15-4012-US-VERSION	1	
34	AIR-16-4012-US-VERSION	1	
35	AIR-21-4012-US-VERSION	1	
36	AIR-22-4012-US-VERSION	1	
37	AIR-23-4012-US-VERSION	1	
38	AIR-24-4012-US-VERSION	1	
39	AIR-25-4012-US-VERSION	1	
40	AIR-26-4012-US-VERSION	1	

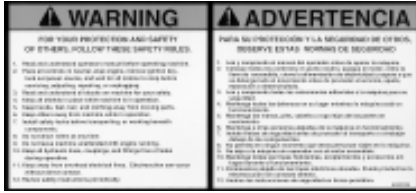
STANDARD AIR BRAKES



STANDARD AIR BRAKES

ITEM	PART	QTY.	PART DESCRIPTION
1	4012-BRAKES - STANDARD - VERSION	1	4012- BRAKES - STANDARD - VERSION
2	2500632	6	30/30\AIRCHMBR\BRK\KIT\4012
3	2500909	1	AIR TANK SMALL 2001
4	2500919	1	TANK\AIR\2880\1BUNG\2SIDE
5	2500962	1	VALVE\BRAKE\RELY\SERV\I 39
6	3800031	4	FTG\3/8MPX3/8FP\90\ST;EL
7	3800173	2	FTG\3/8MP\PLUG\HEX
8	3800190	1	FTG\AIR\3/8COMPX3/8COMPX3/8MP\BR;TEE
9	3800193	1	FTG\3/4MPX1/2MP\NPL
10	3800194	1	FTG\AIR\3/8COMPX3/8MP\90
11	3800326	1	FTG\3/8MP\PLUG\ALN
12	3800441	2	FTG\3/4MP\PLUG\HEX
13	3800518	2	FTG\AIR\1/4MP\DRAIN\BRS
14	3800520	1	FTG\AIR\1/2COMPX3/8MP\ADPT~BRS\LW
15	3800573	1	FTG\3/4MP\CLS;NPL\LW
16	3800640	2	FTG\AIR\3/8FP\BLKHD\BUSH
17	3800776	2	FTG\AIR\1/2COMPX3/8MP\45D
18	3800782	1	FTG\AIR\3/8COMPXI/4MP\ADPT\BRS\LW
19	3800785	24	FTG\AIR\3/8COMPRUBX3/8MP\ADPT\LW
20	3800786	4	FTG\BRS\3/8MPX3/8FPX3/8FP
21	3800787	1	FTG\AIR\1/2COMPX1/4MP\ADPT\BRS\LW
22	7500460	1	VALVE\BRAKE\CNTRL\SPRING
23	7500461	1	GLAD HAND SERVICE
24	7500462	1	GLAD HAND EMERGENCYI
25	AIR-1-4012-US-VERSION	1	
26	AIR-2-4012-US-VERSION	1	
27	AIR-3-4012-US-VERSION	1	
28	AIR-5-4012-US-VERSION	1	
29	AIR-11-4012-US-VERSION	1	
30	AIR-12-4012-US-VERSION	1	
31	AIR-13-4012-US-VERSION	1	
32	AIR-14-4012-US-VERSION	1	
33	AIR-15-4012-US-VERSION	1	
34	AIR-16-4012-US-VERSION	1	
35	AIR-21-4012-US-VERSION	1	
36	AIR-22-4012-US-VERSION	1	
37	AIR-23-4012-US-VERSION	1	
38	AIR-24-4012-US-VERSION	1	
39	AIR-25-4012-US-VERSION	1	
40	AIR-26-4012-US-VERSION	1	

DECALS



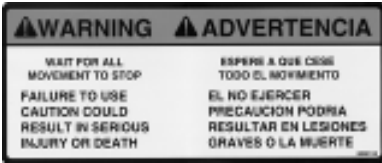
6500040



6500043

← **OIL LEVEL**
← **NIVEL DE ACEITE**

6500052



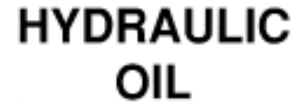
6500082



6500118



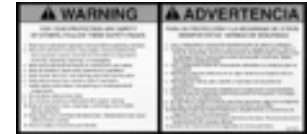
6500123



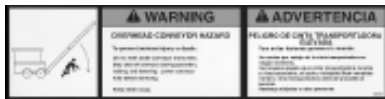
6500124



6500110



6500208



6500214



6500216



6500220

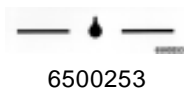


6500221



6500224

6500244



6500253



6500315



6500339



6500373



6500381



6500408

DISCONNECT ECU AND CONTROL PANEL BEFORE WELDING

6500413



6500414

RECOMMENDED SPEEDS FOR FEED FLOOR AND FEED ROLL

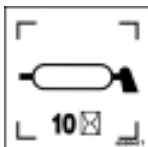
	PRODUCT				
	MILL SCREW PALLETS	FEEDING	WELD PASTE/SLURRY	LARD CLEANERS	LARGE THRESH SIZES
FLOOR%	100	85	75	70	40
ROLL%	100	85	75	70	40

RECOMMENDED SPEEDS SET POINTS ONLY. OPTIMAL SPEED FOR FLUX AND WELD METAL WILL BE DIFFERENT. ALWAYS REFER TO THE SPECIFICATIONS OF THE SUPPLIER OF THE MATERIALS. SEE MANUAL FOR MORE INFORMATION. 6500415

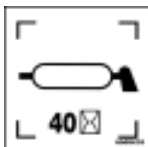
6500415

Grease rotor bearings every 20 hours with MobilGrease AW2 or Shell Alvania R2. If substitute grease must be used use a Lithium R2 base. Admixture 5-6 pumps from a grease gun. Bearing should purge a small amount of grease while running, do not over grease, this will cause overheating within the bearing.

6500416



6500417



6500418



6500420



6500425



6500497

DECALS

PART	QTY.	PART DESCRIPTION
6500419		DECAL\KIT\9564
6500040	1	DECAL\WARN\SHIELD\PROT
6500043	1	DECAL\WARN\NO;RIDERS
6500052	3	DECAL\INFO\OIL;LEVEL
6500082	2	DECAL\WARN\ROTATN;PART;>
6500110	2	DECAL\WARN\WAIT;FOR;MVMNT
6500118	2	DECAL\DNGR\OBJECTS;THROWN
6500123	1	DECAL\INFO\DIESEL;FUEL
6500124	1	DECAL\INFO\HYD;OIL
6500156	40 ft.	DECAL\LOGO\2\STRIPE\SLV
6500208	1	DECAL\WARN\GENERAL
6500214	2	DECAL\WARN\OVRHED;CNVYR;>
6500216	2	DECAL\WARN\ELEC;HAZARD
6500220	3	DECAL\WARN\HI;PRESS;FLUID
6500221	2	DECAL\WARN\THROWN;OBJECTS
6500224	2	DECAL\LOGO\DURA\4-3/4\SIL
6500244	2	DECAL\LOGO\DURA\9\SLVR
6500253	1	DECAL\INFO\FLUID;LEVEL\>
6500315	2	DECAL\INFO\CLEAN;ENG;COMP
6500339	5	DECAL\WARN\PINCH;POINT
6500373	1	DECAL\INFO\BATT;DISC
6500381	4	DECAL\LOGO\SWIRL\6000
6500408	6	DECAL\INFO\ROT\SHFT\2-7/8
6500413	1	DECAL\INFO\NO;WELD ECU CNTRL
6500414	1	DECAL\INFO\OMNEX;START 9564
6500415	1	DECAL\INFO\RECOMMND SPEEDS
6500416	2	DECAL\BRG\RTR\GREASE\20HRS
6500417	14	DECAL\GREASE\10 HRS
6500418	23	DECAL\GREASE\40 HRS
6500420	2	DECAL\LOGO\9564
6500425	1	DECAL\WARN\FIRE\PREVENT
6500497	1	DECAL\EXTINGUISHER\FIRE
6500562	1	DECAL\PNL\CNTRL\BTM\9564
6500563	1	DECAL\PNL\CNRL\TOP\9564
7500933		PAINT\BLUE\SPRAY\MET
7500984		PAINT\BLUE\GALLON

9564 CUSTOMER WEAR PARTS

QTY	PART #	DESCRIPTION	
2	1600121	V-BELT\5\8VP\3150\PREDATOR	DRIVE BELT
1	1700211	BELT\CNVYR\48X742\R5\YCLE	DISCHARGE CONVEYOR BELT
1	1700212	BELT\CNVYR\54X722\R5\SMOO	BELLY BELT
2	1700224	SEAL\SLT\WHL\FD\FR	FEED WHEEL SLOT RUBBER SEAL
2	1700225	SEAL\SLT\WHL\FD\REAR	FEED WHEEL SLOT RUBBER SEAL
1	7101123	EDGE\CTTNG\FLR\RGHT	FEED FLOOR CUTTING EDGE - RIGHT
1	7101125	EDGE\CTTNG\FLR\LFT	FEED FLOOR CUTTING EDGE - LEFT
1	1700233	LCNG\CBL\R-5\54\NYLNCTD	CABLE LACING FOR BELLY BELT
1	1700234	LCNG\CBL\R-5\48\NYLNCTD	CABLE LACING FOR DISCHARGE BELT
1	5700659	SWITCH\PRESS\NC\2750PSI\>	PRESSURE SWITCH USED ON , FEED FLOOR, BELLY CONVEYOR, AND FEED ROLL
1	5700660	SWITCH\TEMP\LEVEL\185DEG	OIL TANK TAMP\LEVEL SWITCH
1	5700664	SWITCH\PRXMTY\NPN\	POSITION SWITCH FOR ROTOR COVER AND SCREENS
1	5700703	SWITCH\PROX\NPN\5MM	SPEED PICKUP SWITCH
2	3100366	SEAL\OIL\GRBX\BURMA\90\140\13	OIL SEAL FOR GEARBOX
1	4100282	KIT\SEAL\CYL\HYD\3-1/2X12X1-1/2\CTD	FOR 4100268 CONVEYOR SWING HYDRAULIC CYLINDER
1	4400118	Fuel/water filter	1R-0771
1	4400125	Secondary fuel filter	Cat 1R0755
2	4400117	FLTR\ELMT\OIL\CAT	Cat 1R-1808
2	4400122	FLTR\ELMT\AIR\PRMRY\	DONALDSON AIR FILTER P781098
2	4400123	FLTR\ELMT\AIR\SAFTY	DONALDSON AIR FILTER P781102
1	4000407	VALVE\HYD\SOL\24V\E10\DTZ\	COIL FOR AUXILLARY VALVE BANKS
1	4000341	VALVE\HYD\CART&SOL\PRPTNL	COIL FOR FEED FLOOR, FEED WHEEL, AND BELLY BELT FUNTIONS
1	4000444	VALVE\HYD\SOL\24V\E8\DTZ\	COIL FOR FEED WHEEL BLOCKING FUNCTION
1	5700542	SWITCH\RCKR\DPDT\24V\UNLIT	CONTROL PANEL SWITCH
1	5700480	RELAY\SPDT\24V\20A\5TDIO	RELAY
1	5700504	RELAY\POWR\24V\SPSTW/DIO	RELAY
24	5200236	HMMR\BIT\CUTTER\SIDE	SIDE CUTTER
48	4900183	NUT\TPLCK\1/2\NF\GR9	SIDE CUTTER NUT
48	4801209	BOLT\HEX\1/2X4-3/4\GR8\NF	SIDE CUTTER BOLT
OPT	5200321	HMMR\BIT\WOOD\2HOLE\CLAW	CLAW TIP
OPT	5200232	HMMR\BIT\WOOD\2HL\AGGRESI	AGGRESSIVE TIP
OPT	5200235	HMMR\BIT\WOOD\HORIZ\4-1/4	WIDE TIP
OPT	5200239	HMMR\TIP\SET\24\3-1/2\AGGRSSV	AGGRESSIVE TIP
OPT	5200240	HMMR\TIP\SET\24\3-1/2\CLAW	CLAW TIP
OPT	5200249	HMMR\TEETH\2BOLT\9564 QUADCO	
	7101008	SCRN\2\RD\9564	2" ROUND SCREEN
	7101009	SCRN\3\RD\9564	3" ROUND SCREEN
	7100537	SCRN\4\RD\9564	4" ROUND SCREEN
	7100734	SCRN\1\3-7/8X7REC\9564	4X7 RECT SCREEN
	7100735	SCRN\1\6X9-1\9564	6X9 RECT SCREEN
100	4800660	BOLT\HEX\7/8X7\NF\GR8	HAMMER BOLT
100	4900148	NUT\TPLCK\7/8\NF\GR9	HAMMER NUT



Clearing the Way for a Better Tomorrow

APPENDIX A SCHEMATIC FOLDOUTS



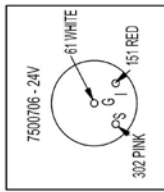
Clearing the Way for a Better Tomorrow

5700651

12 PIN PLC CONNECTOR DVC61

INPUT 1A / 1B	PIN 1	431 PINK
INPUT 2A / 2B	PIN 2	PLUG
+ POWER	PIN 3	111F RED
GROUND	PIN 4	31A WHITE
CAN HIGH	PIN 5	TURCK CABLE WHITE
CAN LOW	PIN 6	TURCK CABLE BLUE
RS-232 (TXD)	PIN 7	278 PURPLE
RS-232 (RXD)	PIN 8	277 BROWN
GROUND	PIN 9	TURCK CABLE SHIELD
INPUT 3A / 3B	PIN 10	PLUG
INPUT 4A / 4B	PIN 11	601 LT BLUE
INPUT 5A / 5B	PIN 12	611 YELLOW

FUEL GAUGE



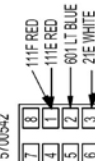
DVC 61 SERVICE CONNECTOR

PLUG	4
278 PURPLE	3
31B WHT	2
277 BROWN	1

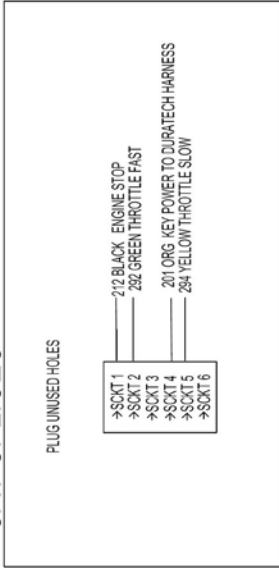
CONN 61
SPRLL UP/SCROLL DOWN
5700542



CONN 60
ENTERBACK
5700542

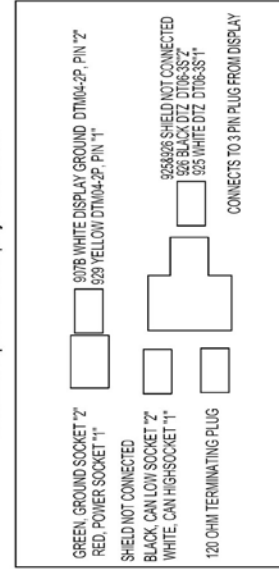


CAT SPLICES



CLUTCH DISPLAY

5700916 replacement display for 0900155



DVC 50-30

(RXD) RECEIVE DATA	PIN A1	274 BROWN
(TXD) TRANSMIT DATA	PIN A2	275 PURPLE
(RTS) REQUEST TO SEND	PIN A3	PLUGGED
(GND) GROUND	PIN B1	276 WHITE
(GND) GROUND	PIN B2	PLUGGED
(GND) GROUND	PIN B3	PLUGGED
(UN1) UNIVERSAL IN 1	PIN C1	PLUGGED
(UN1) UNIVERSAL POT REF 1	PIN C2	429 LT GREEN
(GND) GROUND	PIN C3	PLUGGED
(UN2) UNIVERSAL IN 2	PIN D1	PLUGGED
(UN2) UNIVERSAL POT REF 2	PIN D2	234 BROWN
(GND) GROUND	PIN D3	PLUGGED
(UN3) UNIVERSAL IN 3	PIN E1	PLUGGED
(GND) GROUND	PIN E2	PLUGGED
(GND) GROUND	PIN E3	PLUGGED
(ANA1) ANALOG POT REF 1	PIN F1	PLUGGED
(ANA1) ANALOG IN 1	PIN F2	PLUGGED
(DIG1) DIGITAL 1	PIN F3	291A GREEN
(APR2) ANALOG POT REF 2	PIN G1	PLUGGED
(ANA2) ANALOG IN 2	PIN G2	PLUGGED
(APR3) ANALOG POT REF 3	PIN H1	PLUGGED
(ANA3) ANALOG IN 3	PIN H2	PLUGGED
(DIG3) DIGITAL 3	PIN H3	222A PINK
(DIG4) DIGITAL 4	PIN J1	232 BLUE
(DIG5) DIGITAL 5	PIN J2	231 PURPLE
(DIG6) DIGITAL 6	PIN J3	482A TAN
(+PWR) POWER IN	PIN K1	121D RED
(DIG7) DIGITAL 7	PIN K2	481A GREEN
(DIG8) DIGITAL 8	PIN K3	432 TAN

DVC 50 SERVICE CONNECTOR

PLUG	4
275 PURPLE	3
276 WHT	2
274 BROWN	1

5700785

WIRES COMING INTO THIS TERMINAL ARE 16 GAUGE

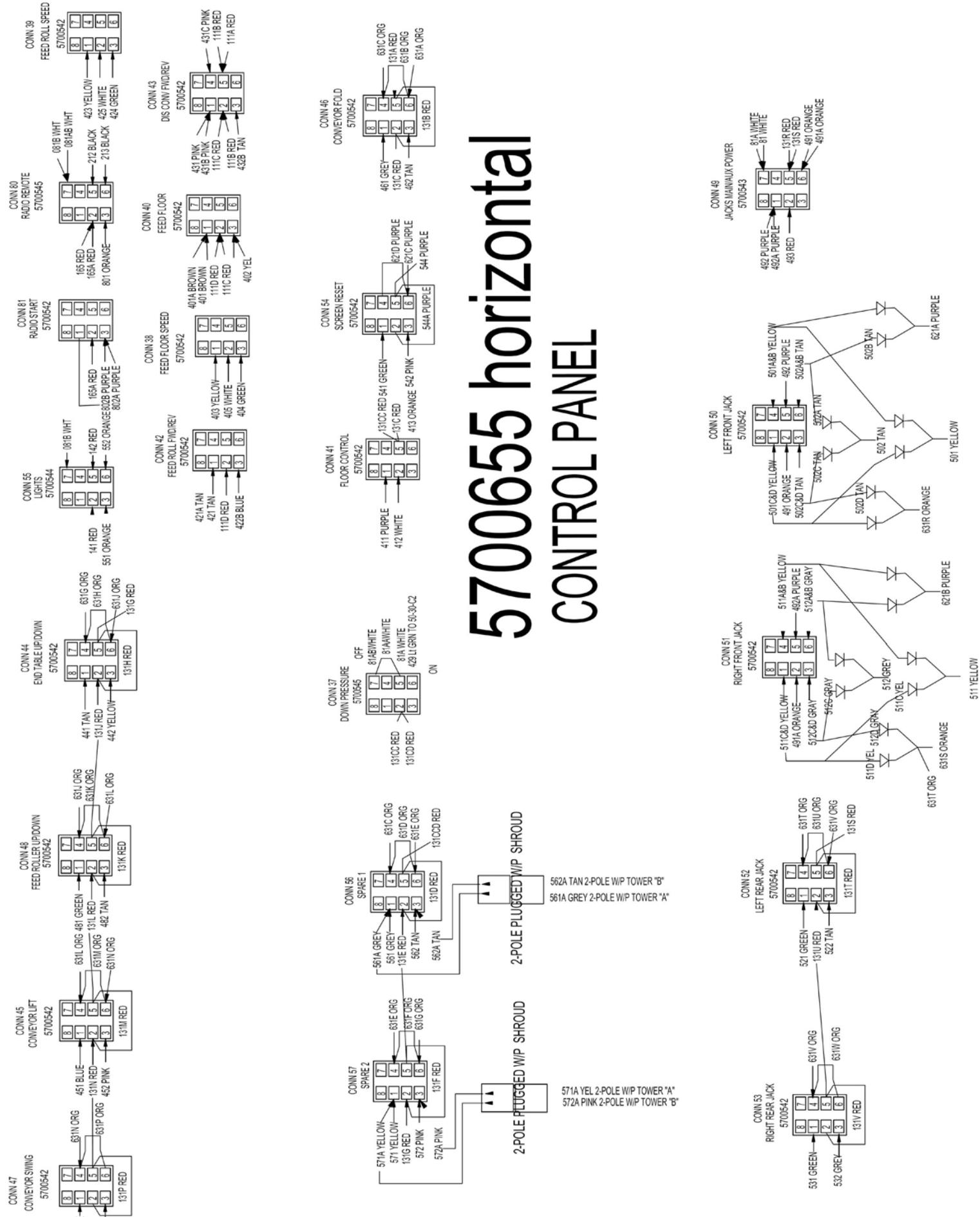
DVC 50-18

(+PWR) +POWER IN	PIN A2	121E RED
(+PWR) +POWER IN	PIN A3	121F RED
(LSA) PWM 1	PIN B1	282 GREEN
(HS1) HIGH SIDE 1	PIN B2	282 GREEN
(HS2) HIGH SIDE 2	PIN B2	483 GREEN
(LSA) PWM 1	PIN B3	PLUGGED
(HS3) HIGH SIDE 3	PIN C1	484 TAN
(HS4) HIGH SIDE 4	PIN C2	485 ORG
(LSB) PWM 2	PIN C3	284 YELLOW
(HS5) HIGH SIDE 5	PIN D1	PLUGGED
(HS6) HIGH SIDE 6	PIN D2	PLUGGED
(LSB) PWM 2	PIN E1	PLUGGED
(LSC) PWM 3	PIN E2	PLUGGED
(LSC) PWM 3	PIN E3	PLUGGED
(GND) GROUND	PIN F1	PLUGGED
(GND) GROUND	PIN F2	32xxx WHITE
(GND) GROUND	PIN F3	32xxx WHITE

DVC50-5

DRAIN	PIN 1
V+	PIN 2
V-	PIN 3
CAN H	PIN 4
CAN L	PIN 5

2#B YELLOW



5700655 horizontal CONTROL PANEL

DVC 10-30 5700650

(RXD) RECEIVE DATA	PIN A1	271 BROWN
(TXD) TRANSMIT DATA	PIN A2	272 PURPLE
(RTS) REQUEST TO SEND	PIN A3	273 ORANGE
(GND) GROUND	PIN B1	425C WHITE
(GND) GROUND	PIN B2	405 WHITE
(GND) GROUND	PIN B3	32C WHITE
(UPR1) UNIVERSAL POT REF 1	PIN C1	PLUGGED
(GND) GROUND	PIN C2	281 T&S red
(GND) GROUND	PIN C3	282 T&S black & shield wire
(UNR1) UNIVERSAL IN 1	PIN D1	PLUGGED
(UNR2) UNIVERSAL IN 2	PIN D2	411 PURPLE
(GND) GROUND	PIN D3	412 WHITE
(UPR3) UNIVERSAL POT REF 3	PIN E1	PLUGGED
(UNR3) UNIVERSAL IN 3	PIN E2	424B GREEN
(GND) GROUND	PIN E3	32D WHITE
(APR1) ANALOG POT REF 1	PIN F1	PLUGGED
(ANR1) ANALOG IN 1	PIN F2	423B YELLOW
(DIG1) DIGITAL 1	PIN F3	401 BROWN
(APR2) ANALOG POT REF 2	PIN G1	PLUGGED
(ANR2) ANALOG IN 2	PIN G2	404 GREEN
(DIG2) DIGITAL 2	PIN G3	402C YELLOW
(APR3) ANALOG POT REF 3	PIN H1	PLUGGED
(ANR3) ANALOG IN 3	PIN H2	403 YELLOW
(DIG3) DIGITAL 3	PIN H3	421 TAN
(DIG4) DIGITAL 4	PIN J1	241 GREY
(DIG5) DIGITAL 5	PIN J2	242 TAN
(DIG6) DIGITAL 6	PIN J3	243 LT BLUE
(+PWR) POWER IN	PIN K1	121A RED
(DIG7) DIGITAL 7	PIN K2	422C BLUE
(DIG8) DIGITAL 8	PIN K3	413 ORANGE

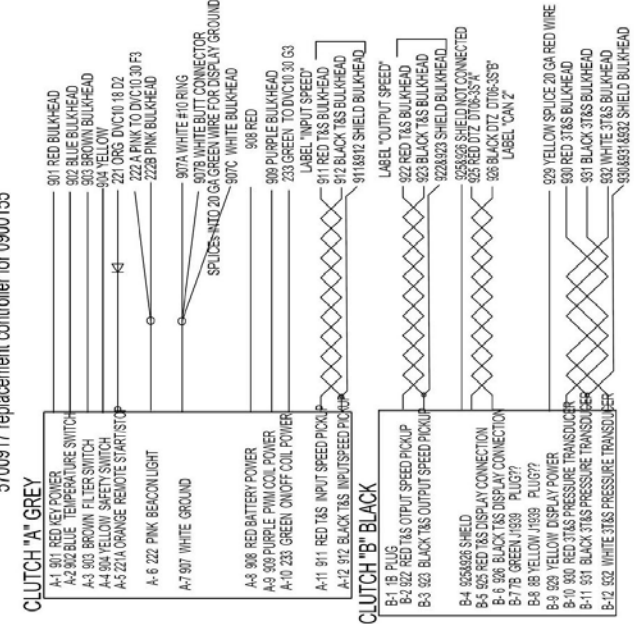
DVC 10-18

(+PWR) +POWER IN	PIN A1	121B RED
(+PWR) +POWER IN	PIN A2	121C RED
(LSA) PWM 1	PIN A3	702 BROWN
(HS1) HIGH SIDE 1	PIN B1	703 YELLOW
(HS2) HIGH SIDE 2	PIN B2	704 WHITE
(LSA) PWM 1	PIN B3	721 TAN
(HS3) HIGH SIDE 3	PIN C1	723 GREY
(HS4) HIGH SIDE 4	PIN C2	724 WHITE
(LSB) PWM 2	PIN C3	731 PINK
(HS5) HIGH SIDE 5	PIN D1	732 WHITE
(HS6) HIGH SIDE 6	PIN D2	733 GREY
(GND) GROUND	PIN D3	734 WHITE
(LSC) PWM 3	PIN E1	PLUGGED
(LSC) PWM 3	PIN E2	PLUGGED
(GND) GROUND	PIN F1	PLUG
(GND) GROUND	PIN F2	32A WHITE
(GND) GROUND	PIN F3	32B WHITE

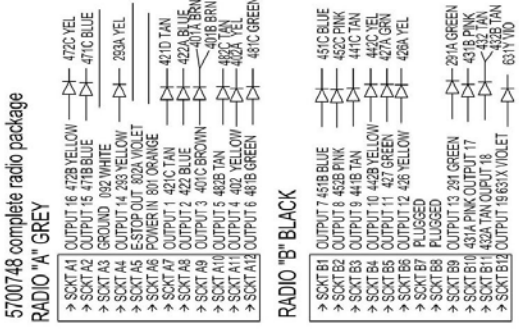
DVC10-5

DRAIN	PIN 1
V+	PIN 2
V-	PIN 3
CAN H	PIN 4
CAN L	PIN 5

CLUTCH CONTROLLER 5700917 replacement controller for 0900155



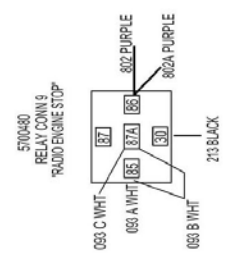
RADIO 5700748 complete radio package



DVC SYSTEM SERVICE CONNECTOR



RELAYS



5700657 BULKHEAD #3 CLUTCH

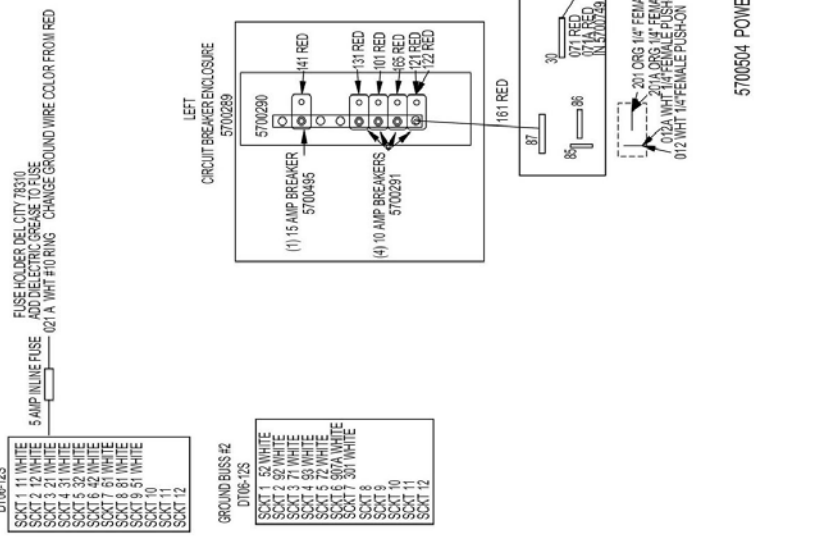
- 1 901B RED BULKHEAD
- 2 902 BLUE BULKHEAD
- 3 903 BROWN BULKHEAD
- 4 22B PINK BULKHEAD
- 5 907 WHITE BULKHEAD
- 6 908 PURPLE BULKHEAD
- 7 233 GREEN BULKHEAD
- 8 911 RED T&S BULKHEAD
- 9 912 BLACK T&S BULKHEAD
- 10 913 SHIELD FOR 911&12 BULKHEAD
- 11 922 RED T&S BULKHEAD
- 12 923 BLACK T&S BULKHEAD
- 13 924 - SHIELD FOR 922&23 BULKHEAD
- 14 900 RED T&S BULKHEAD
- 15 931 BLACK T&S BULKHEAD
- 16 932 WHITE T&S BULKHEAD
- 17 933 - SHIELD FOR 931&32 BULKHEAD

5700656 horizontal

- 1 011 WHITE
- 2 071 WHT
- 3 441A TAN
- 4 424A YELLOW
- 5 425A PINK
- 6 463 GREY
- 7 462 TAN
- 8 471A BLUE
- 9 472A YEL
- 10 483 GREEN
- 11 484 TAN
- 12 484 TAN
- 13 501 YEL
- 14 502 TAN
- 15 511 YEL
- 16 512 GREY
- 17 521 GREEN
- 18 522 TAN
- 19 531 GREEN
- 20 532 GREY
- 21 541 GREEN
- 22 542 PINK
- 23 561 GRAY
- 24 562 TAN
- 25 571 YEL
- 26 572 WHT
- 27 573 PINK
- 28 574 PURPLE
- 29 485 ORG
- 30 181 RED

5700654 horizontal

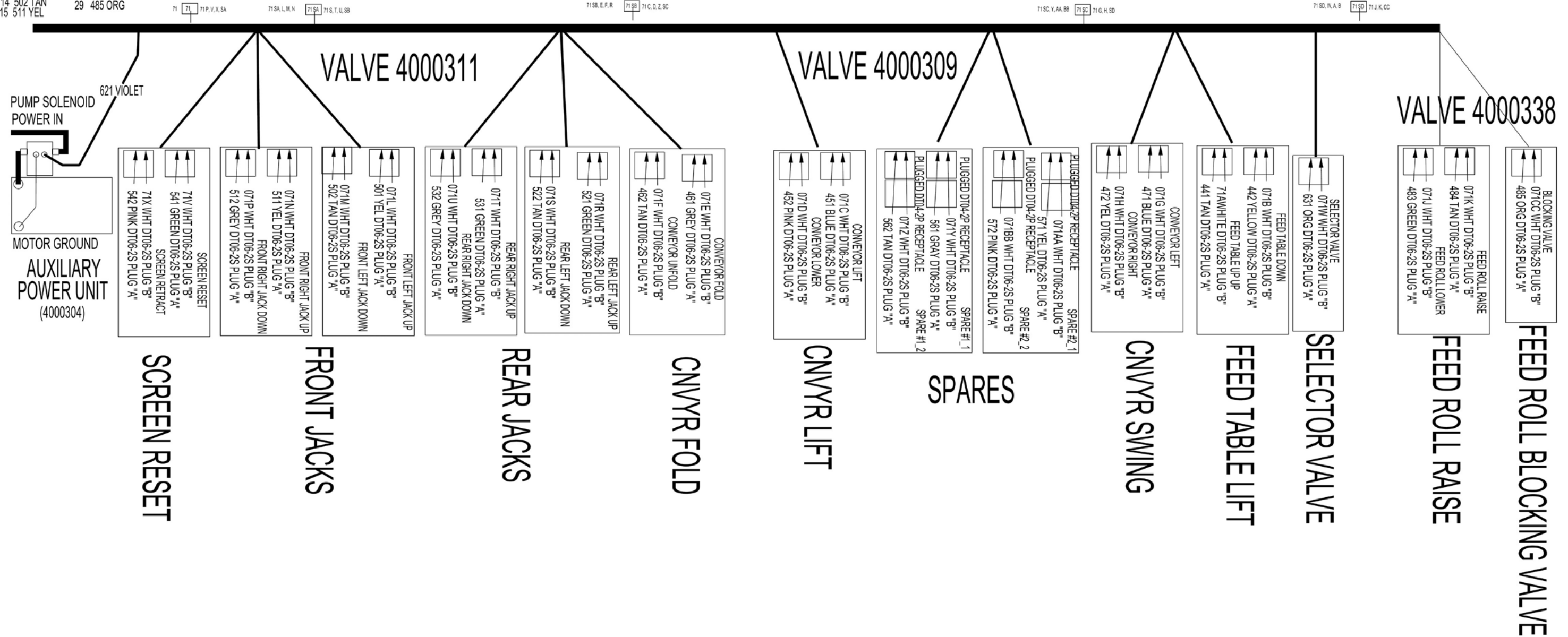
- SOCKET 1 11 WHITE
- SOCKET 2 12 WHITE
- SOCKET 3 21 WHITE
- SOCKET 4 31 WHITE
- SOCKET 5 32 WHITE
- SOCKET 6 42 WHITE
- SOCKET 7 51 WHITE
- SOCKET 8 52 WHITE
- SOCKET 9 61 WHITE
- SOCKET 10 62 WHITE
- SOCKET 11 71 WHITE
- SOCKET 12 72 WHITE



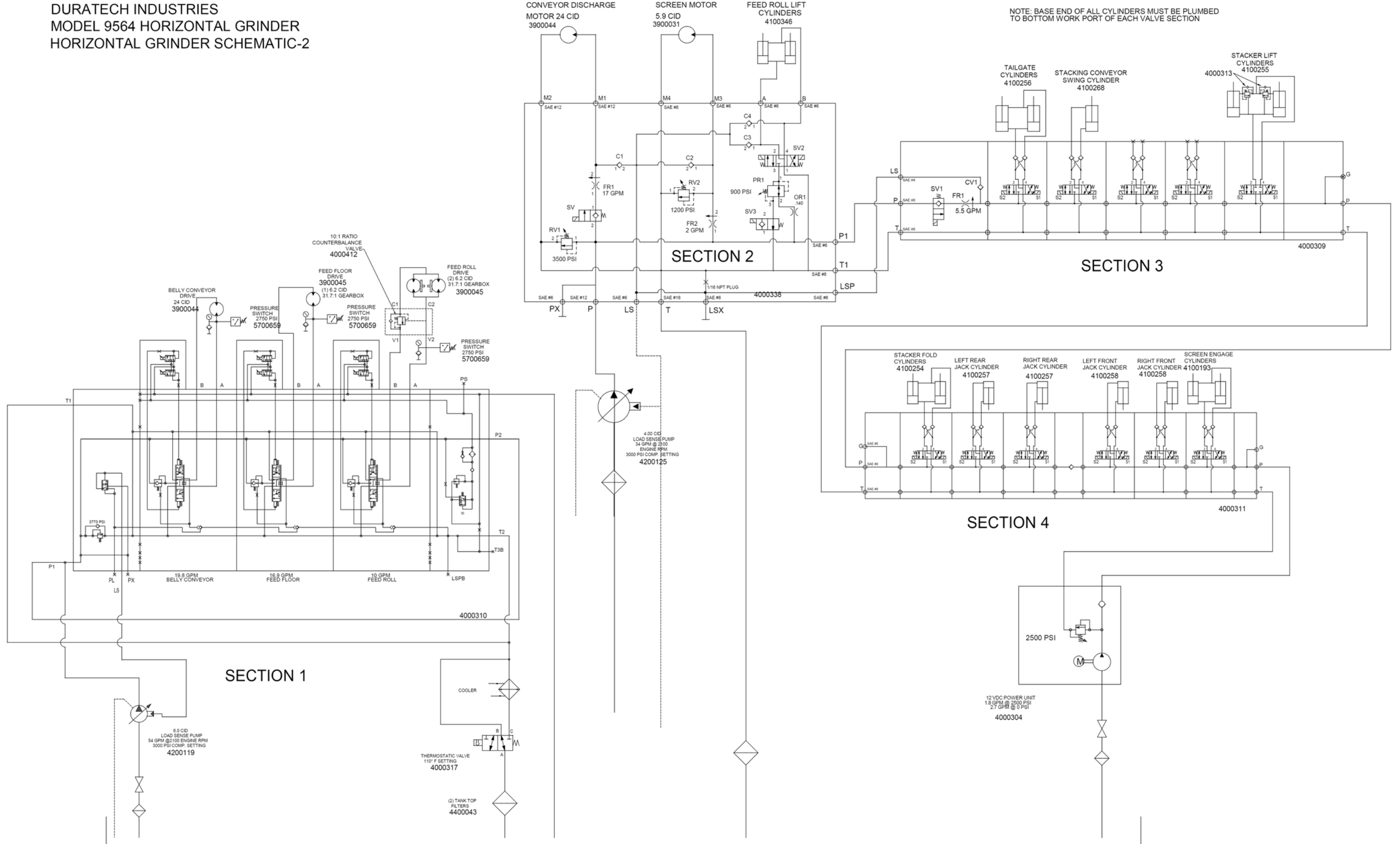
5700655 horizontal

- 1 plugged
- 2 071 WHT
- 3 441 TAN
- 4 442 YELLOW
- 5 451 BLUE
- 6 452 PINK
- 7 461 GREY
- 8 462 TAN
- 9 471 BLUE
- 10 472 YEL
- 11 483 GREEN
- 12 484 TAN
- 13 501 YEL
- 14 502 TAN
- 15 511 YEL
- 16 512 GREY
- 17 521 GREEN
- 18 522 TAN
- 19 531 GREEN
- 20 532 GREY
- 21 541 GREEN
- 22 542 PINK
- 23 561 GRAY
- 24 562 TAN
- 25 571 YEL
- 26 572 PINK
- 27 621 PURPLE
- 28 631 ORG
- 29 485 ORG

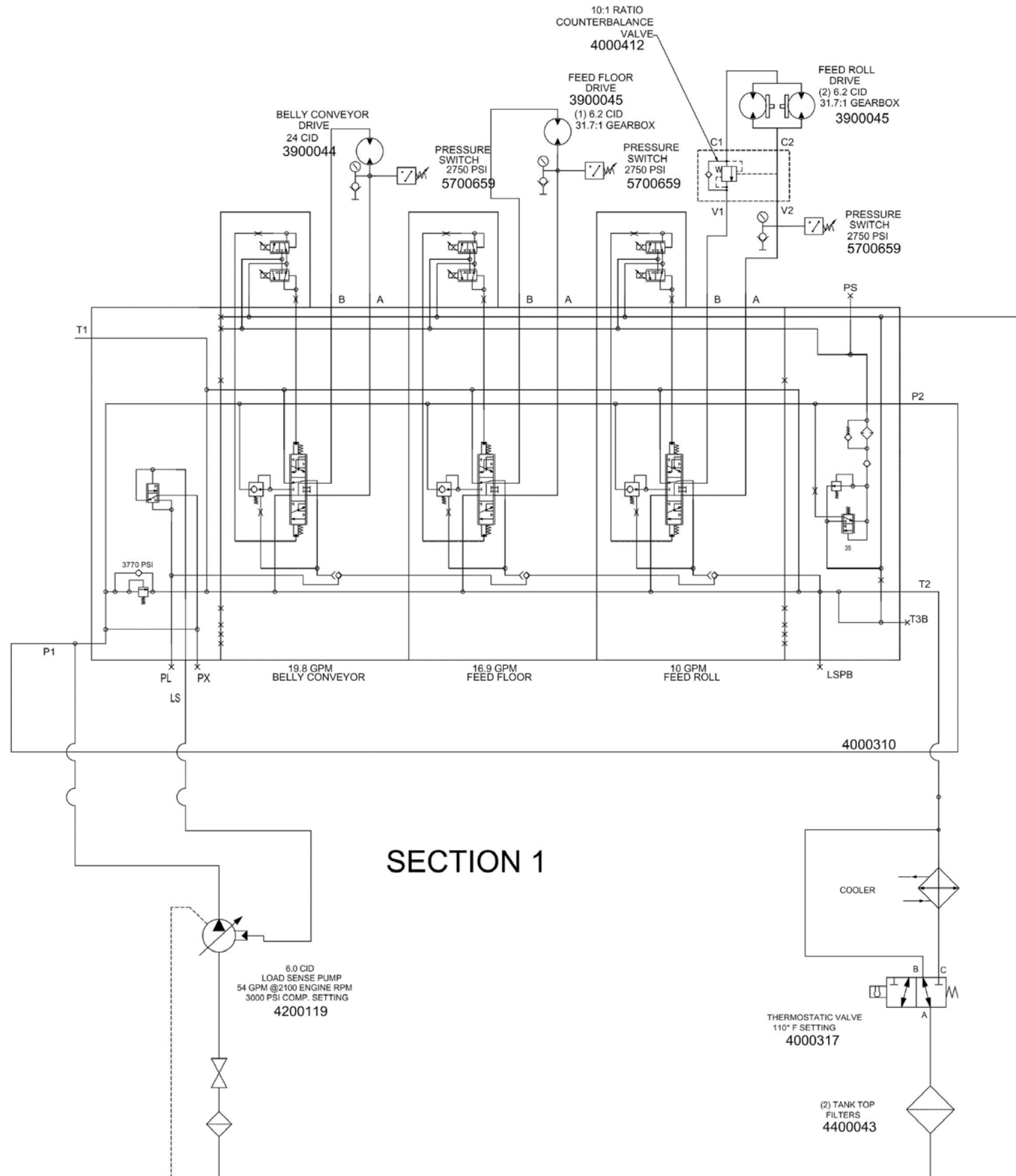
5700656 horizontal



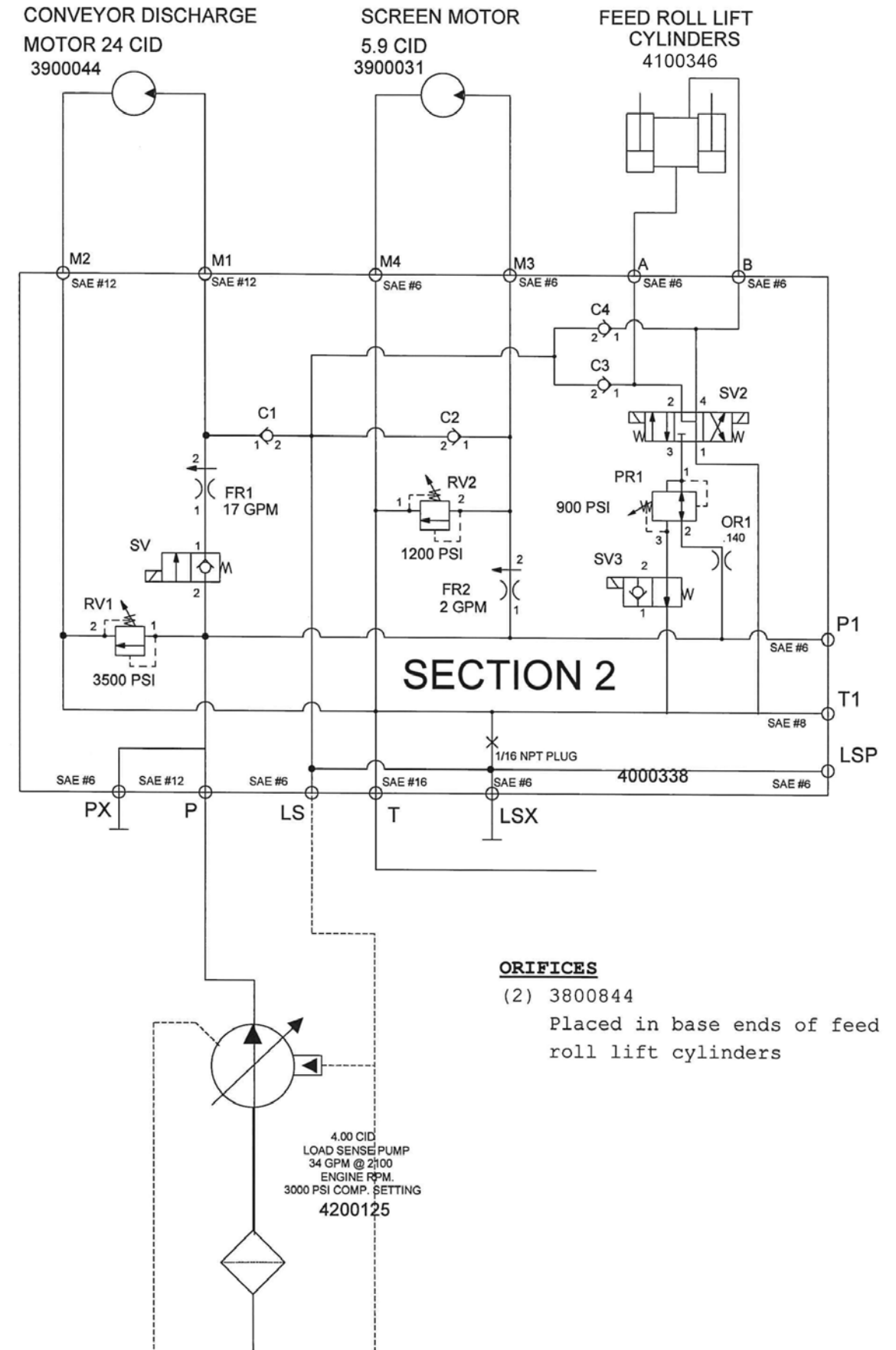
DURATECH INDUSTRIES
 MODEL 9564 HORIZONTAL GRINDER
 HORIZONTAL GRINDER SCHEMATIC-2



NOTE: BASE END OF ALL CYLINDERS MUST BE PLUMBED TO BOTTOM WORK PORT OF EACH VALVE SECTION



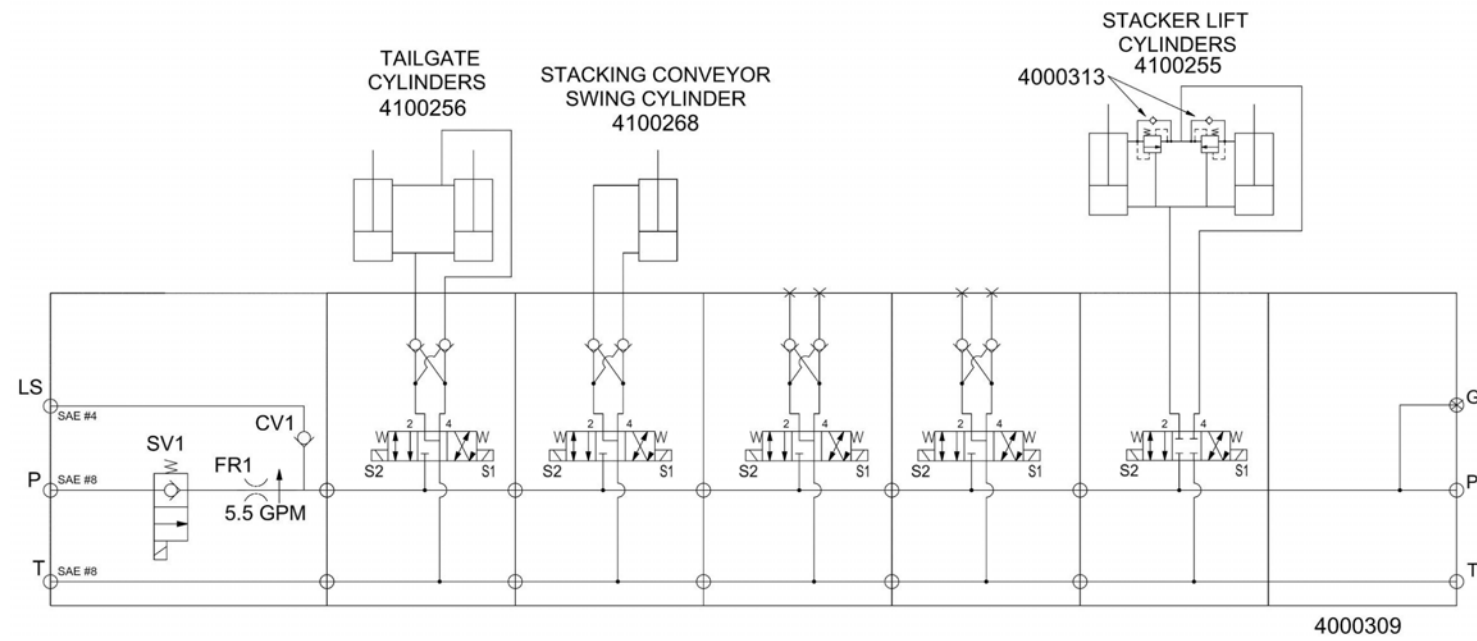
SECTION 1



SECTION 2

ORIFICES
 (2) 3800844
 Placed in base ends of feed roll lift cylinders

NOTE: BASE END OF ALL CYLINDERS MUST BE PLUMBED TO BOTTOM WORK PORT OF EACH VALVE SECTION



SECTION 3

4000309

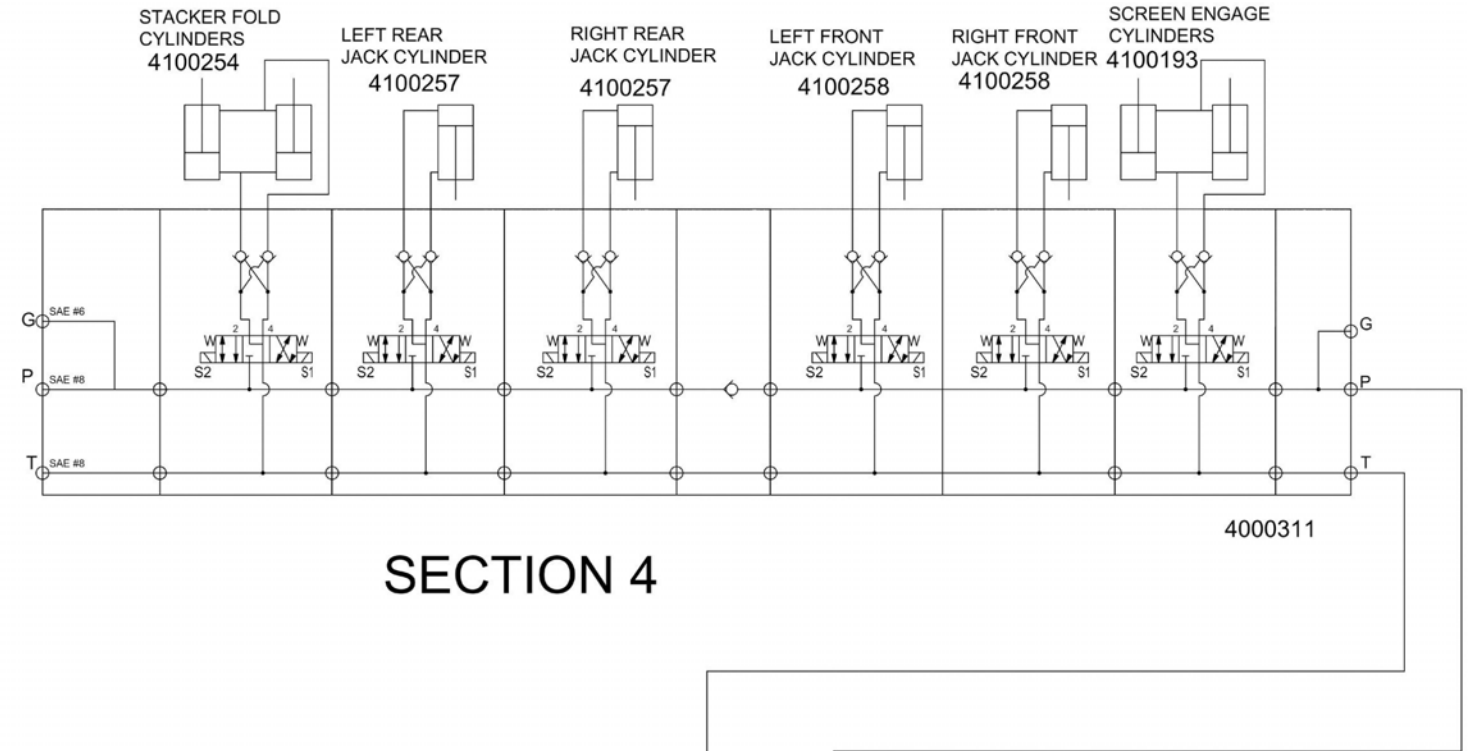
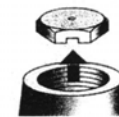
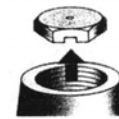
ORIFICES

- (10) 3800683
- (4) -Base end and rod ends of stacker fold cylinders
- (4) -Base ends of jack cylinders
- (2) -Base and rod ends of conveyor swing cylinders

- (2) 3800893
Placed in rod ends of tail gate cylinders

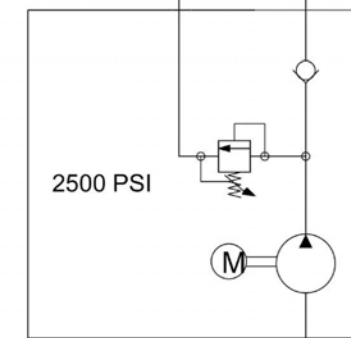
- (1) 3800844
Placed in manifold (3800428) for base end of cylinder

- (1) 3800898
Placed in base end of left cylinder (standing at rear of machine looking forward)



SECTION 4

4000311



12 VDC POWER UNIT
1.8 GPM @ 2500 PSI
2.7 GPM @ 0 PSI
4000304