

HD-12TM

**Industrial Tub Grinder
Series IV**

Serial Number GI0081 & UP

Manual 2: Parts Reference





 **DURATECH[®]**
Clearing the Way for a Better Tomorrow



HD-12TM

Industrial Tub Grinder Series IV

Serial Number GI0081 & UP

Manual 2: Parts Reference

DuraTech Industries International Inc. (DuraTech Industries) has made every effort to assure that this manual completely and accurately describes the operation and maintenance of the HD-12TM Industrial Tub Grinder as of the date of publication. DuraTech Industries reserves the right to make updates to the machine from time to time. Even in the event of such updates, you should still find this manual to be appropriate for the safe operation and maintenance of your unit.

This manual, as well as materials provided by component suppliers to DuraTech Industries are all considered to be part of the information package. Every operator is required to read and understand these manuals, and they should be located within easy access for periodic review.

 **DURATECH**® is a registered trademark of Duratech Industries International, Inc.

HD-12 is a trademark of Duratech Industries International, Inc.



 **DURATECH[®]**
Clearing the Way for a Better Tomorrow



FOREWORD



Foreword

All personnel must read and understand before operating unit

DuraTech Industries International Inc. (DuraTech) has made every effort to assure that this manual completely and accurately describes the operation and maintenance of this Industrial Grinder as of the date of publication. DuraTech reserves the right to make updates to the machine from time to time. Even in the event of such updates, you should still find this manual to be appropriate for the safe operation and maintenance of your machine.

This manual, as well as materials provided by component suppliers to DuraTech Industries are all considered to be part of the information package. Every operator is required to read and understand these manuals. All manuals should be located within easy access for troubleshooting and periodic review.

Appropriate use of the unit

This Industrial Grinder is designed to grind wood waste and other materials, including grass clippings, leaves, construction and demolition debris, tree branches and tree trunks. It is **NOT** designed to grind rocks, steel, concrete, or the like.

Operator protection

As with all machinery, care needs to be taken by the operator in order to insure the safety of the operator and those in the surrounding area.



WARNING: Operators and those observing the operation of the Industrial Grinder are required to wear head, eye, and ear protection. No loose clothing is allowed.



Manual 2: Parts Reference..... 1

MAIN FRAME ASSEMBLY	2
TUB DRIVE	4
CHAIN GUIDE ASSEMBLY	6
TUB AND ROLLERS	8
PLATFORM	10
ROTOR ASSEMBLY SERIAL # GI0082-GI0084	12
HEAVY ROTOR ASSEMBLY SERIAL # GI0085 AND UP	14
ROTOR BEARING ASSEMBLY - WITH VENT	16
BELLY CONVEYOR	18
LOWER DISCHARGE CONVEYOR S.N. GI0080 TO GI0090	20
UPPER DISCHARGE CONVEYOR S.N. GI0080 TO GI0090	22
LOWER DISCHARGE CONVEYOR S.N. HI0091 AND UP	24
UPPER DISCHARGE CONVEYOR S.N. HI0091 AND UP	26
MAGNETIC ROLLER ASSEMBLY W/FIXED CHUTE	28
HAND RAIL AND WALKWAYS	30
CONTROL PANEL COVER KIT	32
CAT ELECTRONIC ENGINE CONTROL PANEL	34
CONTROL PANEL MECHANICAL ENGINE	36
TOOL BOX	38
BATTERY BOX	40
TOP FED FUEL TANK	42
HYDRAULIC SCHEMATIC - TUB CIRCUIT	44
HYD. SCHEMATIC - CONVEYOR CIRCUIT - STD. PACKAGE	45
HYD. SCHEMATIC - CONVEYOR CIRCUIT - WITH RADIO	46
HYD. SCHEMATIC - CONVEYOR CIRCUIT - WITH TUB COVER	47
HYDRAULIC TANK HOSES AND FITTINGS	48
HYDRAULIC PUMP HOSES AND FITTINGS	50
HYDRAULIC TUB CONTROLS	52
TUB MOTOR HOSES AND FITTINGS	54
CONTROL PANEL CONVEYOR CONTROL	56
CONTROL PANEL WITH REMOTE RADIO	58
CONVEYOR MOTOR HOSES AND FITTINGS	60
STANDARD REAR VALVES	62
REAR VALVE W/TUB COVER SUPPLY LINES	64
TUB COVER - REAR VALVE - CYLINDER LINES	65
TUB COVER - LOWER HYDRAULIC CYLINDERS	66
TUB COVER - UPPER HYDRAULIC CYLINDERS	66
REAR VALVE WITH REMOTE RADIO	68



TABLE OF CONTENTS

REAR VALVE WITH REMOTE RADIO	69
CONVEYOR CYLINDER MANIFOLD HOSES AND FITTINGS	70
TUB CYLINDER HOSES AND FITTINGS	72
COOLER HOSES AND FITTINGS	74
HYDRAULIC TUBE CLAMP ASSEMBLIES	76
HYDRAULIC CYLINDER SEALS AND OTHER ITEMS	78
ADDITIONAL HOSES FOR LOADER STABILIZER LEGS	80
STANDARD PACKAGE SCHEMATIC SN GI0080 - GI0086	82
LOADER SCHEMATIC SN GI0080 - GI0086	84
12V SCHEMATIC SN GI0086 - HI0090	86
24V SCHEMATIC BASIC PACKAGE & LOADER SN GI0086 - HI0090	87
24V SCHEMATIC INCLUDING RADIO & LOADER SN GI0086 - HI0090	88
24V SCHEMATIC INCLUDING RADIO SN GI0086 - HI0090	89
24V SCHEMATIC BASE PACKAGE & LOADER SN HI0091 & UP - MECHANICAL ENGINE	90
24V SCHEMATIC INCLUDING RADIO SN HI0091 & UP - MECHANICAL ENGINE	91
24V SCHEMATIC INCLUDING RADIO & LOADER SN HI0091 & UP - MECHANICAL ENGINE	92
LOADER CAB SCHEMATIC	93
24V SCHEMATIC - BASE PACKAGE , ELECTRONIC ENGINE	94
24V SCHEMATIC - W/RADIO , ELECTRONIC ENGINE	95
24V SCHEMATIC - W/RADIO, LOADER, ELECTRONIC ENGINES	96
24V SCHEMATIC - W/OMNEX RADIO, LOADER, ELECTRONIC ENGINE	97
TUB COVER OPTION SCHEMATIC	98
MURPHY PANEL	99
MURPHY SYSTEM - MECHANICAL ENGINES	100
ELECTRICAL PARTS	101
TUB-TILTINTERLOCK SCHEMATIC	102
ELECTRIC GOVERNOR SYSTEM	104
HD12 HYDRAULIC ELECTRICAL SOLENOID PARTS	106
MAIN HD-12 24V HARNESS S.N. GI0091 & UP	108
RADIO HARNESS 24V S.N. GI0091 & UP	109
MAIN HD-12 HARNESS - ELECTRONIC ENGINE	110
LOADER HARNESS S.N. GI0091 & UP	111



TABLE OF CONTENTS

COMBINATION HARNESS HD-12 LOADER AND RADIO S.N. GI0091 & UP	112
POWER SUPPLY HARNESS 24V S.N. HI0101 & UP	112
LOADER POWER HARNESS	112
TUB COVER HARNESS	113
ROAD LIGHTS	114
RADIO REMOTE TUB CONTROL WIRING SCHEMATIC SN GI0080 - GI0086	116
CIRCUIT BREAKER	118
314 CLUTCH HANDLE	120
318 CLUTCH HANDLE	122
AIRBRAKE AND FITTINGS	124
AXLE ASSEMBLY	126
DRIVE LINE ASSEMBLIES	128
ENGINE AIR INTAKE AND EXHAUST	130
ENGINE AIR INTAKE AND EXHAUST, CAT 3412, 650 HP	132
ENGINE \ RADIATOR SHIELDS 3408 CAT 500 HP	134
ENGINE \ RADIATOR SHIELDS 3412 CAT 650 HP	136
ENGINE / TWO PIECE RADIATOR SHIELDS CAT 3408E 575HP & 3406 460 HP	138
RETRACTABLE LOADER LADDER	140
FOLDING LOADER LADDER	142
CAT3412 LOADER DRIVE	144
CAT3408 LOADER DRIVE	146
MICROTRONIC'S RADIO REMOTE CONTROL	148
OMNEX RADIO REMOTE CONTROL	150
AIR COMPRESSOR ASSEMBLY	152
HAMMER ROD PULLER ASSEMBLY	154
TUB AGITATOR	156
TUB COVER ASSEMBLY	158
DECALS	160
HD-12 Documentation Comment Form	163



HD-12TM

**Industrial Tub Grinder
Series IV**

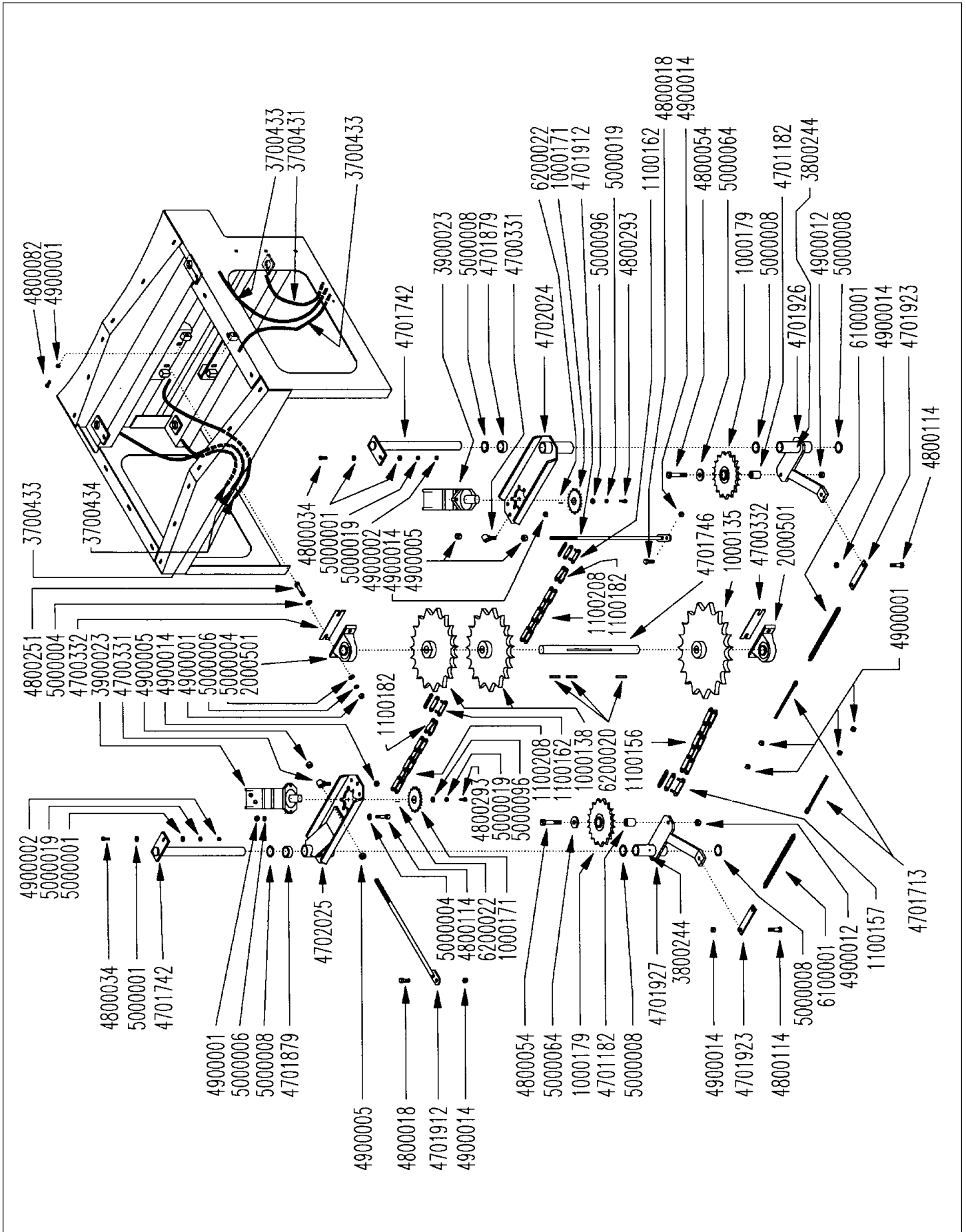
Serial Number G10081 & Up

**Manual 2:
Parts Reference**

MAIN FRAME ASSEMBLY

PART	QTY.	DESCRIPTION
4701893		FRAME\MAIN\ASSY\HD12\SER2
3800452	1	FTG\3\4MP\VENT\SNTRD\>
4700403	1	TANK CUSHION
4701388	1	COV\TANK\17X1\4\HYD
4701389	1	TANK\FUEL\72-1\2X44-1\2X>
4701390	1	STRAP\TANK\45X24X2-1\2\>
4701392	1	BRKT\TANK\24-3\4X2-1\2X>
4701480	1	JACK\25000\2SPEED\HD13
4701481	1	JACK\25000\1SPEED\HD13
4701561	1	ENCL\HDL\ATCH\PLFRM\ASY>
4701563	1	BRKT\PIN\LOCK\PLFRM*ASSY]
4701565	1	LVR\LATCH\PLFRM\ASSY\FRM>
4701566	1	PIN\LATCH\PLFRM*ASSY\FRM>
4701609	2	SUP\FLAP\MUD
4701717	1	PIN\HDLSS\1X13\1HOLE\>
4701765	1	TANK\HYD\72X24-1\2X20-1\2
4701766	1	PAD\TANK\HYD\20\HD12\97
4701768	2	CPLG\SHFT\JACK\DUAL
4701769	1	SHFT\JCK\1X59\2HOLE\3\8
4701770	1	STRAP\TANK\21X24X2-1\2\>
4701771	2	FLAP\MUD\22.5X12X1\4
4701848		MNT\MTR\3400 CAT\REAR\SIZE 0 SN HI0091 AND UP WITH 318 CLUTCH
4701886		BRKT\SUP\CLUTCH\ TWIN DISC WITH 314 CLUTCH
4701967	1	GUARD\HOSE\REAR\COMBO\ SN GI0081-II0108 AND II0110
4701968		BRKT\SUP\CLUTCH\318\ TWIN DISC WITH 318 CLUTCH
4701971	1	GUARD\RAD\HYD\24\HD12\97
4701972	1	WALKWY\FRONT\RAD\HYD
4702013	1	CVR\ENCL\GUAGE\FUEL\4
4702201		SHIM\PLATE\CLUTCH\314 WITH 314 CLUTCH
4702105	1	MNT\MTR\3400 CAT\FRONT\SIZE 0 AND SIZE 1 SN HI0091 AND UP
4702106		MNT\MTR\3400 CAT\REAR\SIZE 1 SN HI0091 AND UP WITH 314 CLUTCH
4702327		MNT\MTR\3400\460\FRONT
4702665	1	GUARD\HOSE\REAR\COMBO\SN II109 AND SN II0111 AND UP
4703406		CB\ASSY\LATCH\PLFRM replacement parts are shipped loose:
4800392	2	CB\SLV\1\8
5800326	15	CABLE\1\8\FT
7500121	2	1/4" CABLE THIMBLE
4800003	12	BOLT\HEX\3\8X1
4800010	2	BOLT\HEX\5\8X2
4800033	8	BOLT\HEX\3\4X2
4800070	1	BOLT\HEX\1\2X2-1\2
4800082	4	BOLT\HEX\1\2X1-1\2
4800098	12	BOLT\HEX\3\8X1-1\4\NC
4800142	4	BOLT\HEX\3\8X1-3\4
4800256	1	PIN\RLLD\3\16X1-1\2
4800277	6	BOLT\HEX\1\4X1
4800316	1	PIN\RLLD\5\16X2
4800564	1	BOLT\HEX\3\8X2-1\4\NC
4800587	5	SCR\RD\SLOT#10-24X1
4900002	12	NUT\HEX\3\8\NC
4900004	8	NUT\HEX\3\4\NC
4900005	4	NUT\HEX\5\8\NC
4900014	1	"NUT\TPLCK\1\2\NC\.500"MAX"
4900023	5	NUT\TPLCK\3\8\NC
4900084	2	NUT\TPLCK\1\4\NC
5000001	40	WASH\FLAT\3\8
5000002	2	WASH\FLAT\5\8
5000003	4	WASH\LOCK\5\8
5000005	4	WASH\FLAT\3\4
5000012	8	WASH\LOCK\3\4
5000019	24	WASH\LOCK\3\8
5000024	6	WASH\LOCK\1\4
5000035	2	WASH\FLAT\1\4
5800609	1	"JACK HANDLE 25,000 LG"
6100043	1	SPRNG\1-1\16X4-1\4\110
7500291	1	GROMMET\RUBBER\2341
7500615	1	GAUGE\HYD\10W\THERM\>
7500620	1	CAP\OIL\4777\300 SERIES
7500622	1	CAP\FUEL\5343\600 SER
7500682	1	GAUGE\FUEL\SENDING\HD12>

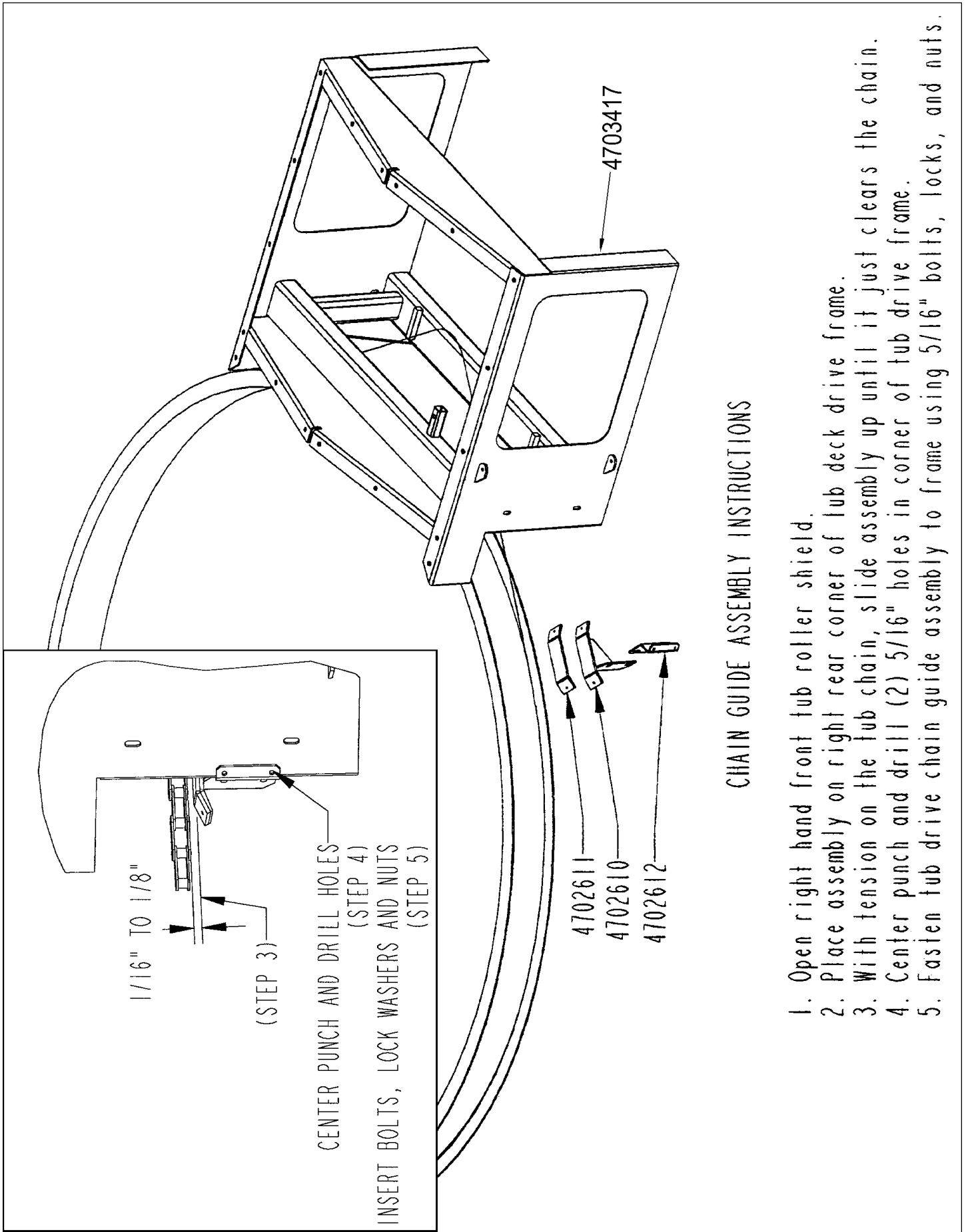
TUB DRIVE



TUB DRIVE

PART	QTY.	DESCRIPTION
4701953		DR\ASSYTUB\HD12\97
1000135	1	SPKT\100\B\30\1-1/2\3/8KW
1000138	2	SPKT\80\ 30\1-1/2\3/8KW\2HUB
1000171	2	SPKT\80\14\1-1/4\5/16KW
1000179	2	SPKT\100\19\PL;W\BRGS
1100156	1	CHAIN\2100H\159
1100157	1	CHAIN\2100H\CL
1100162	2	CHAIN\80H\CL
1100182	2	CHAIN\80H\OL
1100208	2	CHAIN\80H\45
2000501	2	BRG\PB\1-1/2\2BOLT
3700431	1	HOSE\LUB\1/8X20\SW-SO
3700433	3	HOSE\LUB\1/8X28\SW-SO
3700434	2	HOSE\LUB\1/8X35\SW-SO
3800244	2	FTG\1/8MPX\1/8FP\45D\ST;EL
3900023	2	MTR\HYD\18.7\2000\SAE;A;>
4700331	2	BRKT\BOLT\TIGHTNER
4700332	AS NEEDED	SHIM\BRG
4701182	2	BUSH\SPKT\1-3/4X1-1/4\TNS
4701713	2	ROD\TGHTR\CHAIN\TUB DECK>
4701742	2	PIN\DECK\DRV\HD12
4701746	1	SFT\DRV\TUB\1-1/2DX15-1/2
4701879	2	BUSH\SPCR\2X3/4\DECK\DRV
4701912	2	ROD\TNSNR\CHAIN\MTR\DRV>
4701923	2	FLAT\PLT\DRV\6-1/4X1-1/4X>
4701926	1	BRKT\TGHTNR\CHAIN\LH>
4701927	1	BRKT\TGHTNR\CHAIN\RH>
4702024	1	MNT\MTR\ORBIT\RH\TUBDRIVE
4702025	1	MNT\MTR\ORBIT\LH\TUBDRIVE
4800018	2	BOLT\HEX\1/2X1-1/4
4800034	2	BOLT\HEX\3/8X1-1/2
4800054	2	BOLT\HEX\5/8X3-1/2
4800082	2	BOLT\HEX\1/2X1-1/2
4800114	6	BOLT\HEX\1/2X2
4800251	4	BOLT\HEX\1/2X2-1/4\NC
4800293	2	BOLT\HEX\3/8X7/8\NC
4900001	14	NUT\HEX\1/2\NC
4900002	2	NUT\HEX\3/8\NC
4900005	4	NUT\HEX\5/8\NC
4900012	2	NUT\TPLCK\5/8\NC
4900014	6	NUT\TPLCK\1/2\NC\.500"MAX
5000001	4	WASH\FLAT\3/8
5000004	12	WASH\FLAT\1/2
5000006	8	WASH\LOCK\1/2
5000008	8	WASH\MACH\1-1/2IDX10GAINR
5000019	4	WASH\LOCK\3/8
5000064	2	2"ODX11/16IDX1/4 THICK
5000096	2	WASH\FLAT\SPCL\13/32X7GA>
6100001	2	SPRING.156OT 63/64OD13LIH
6200020	3	KEY\SQ\3/8X2-1/4\HARDEND
6200022	2	KEY\SQ\5/16X1-1/2\HARDEND

CHAIN GUIDE ASSEMBLY



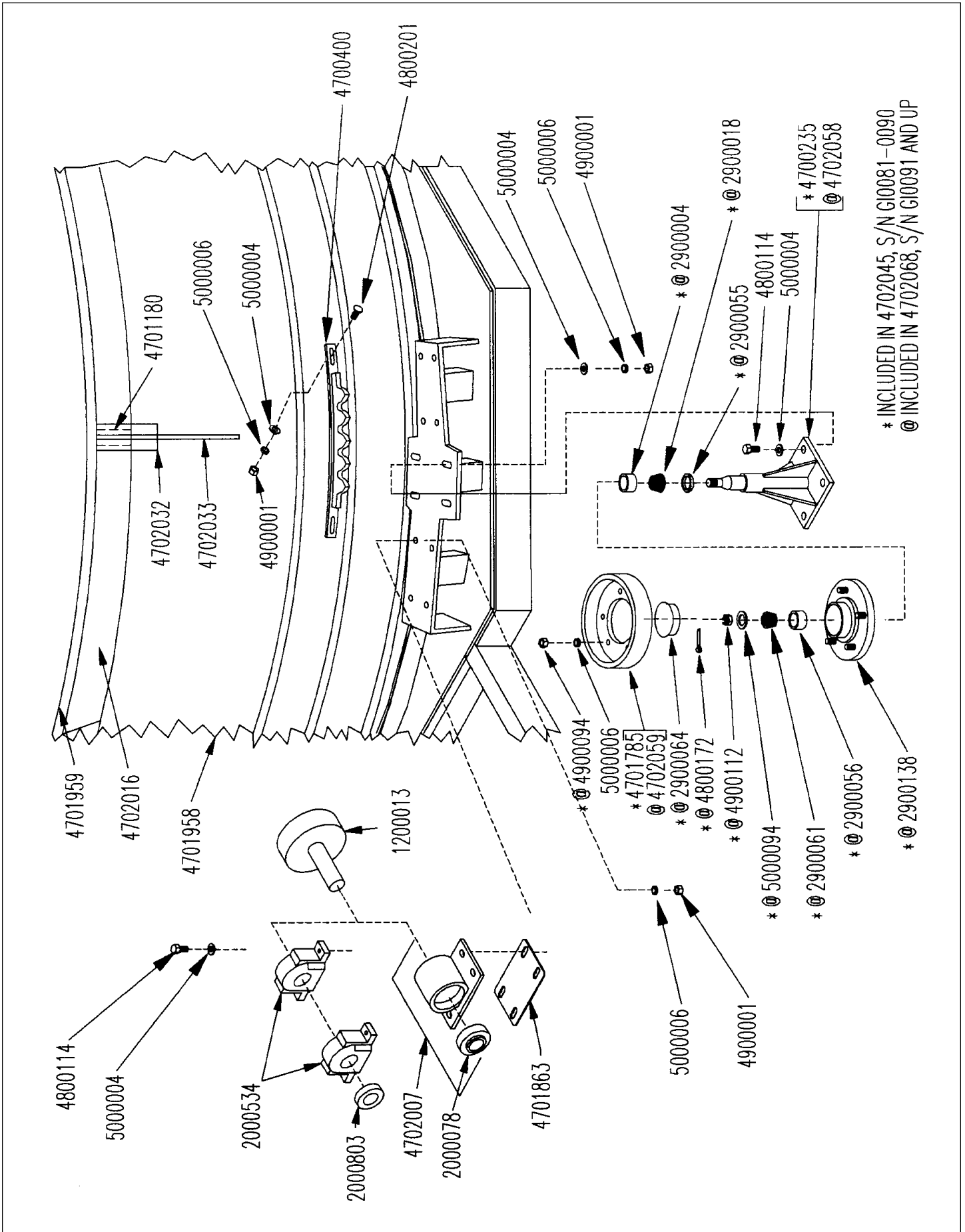
CHAIN GUIDE ASSEMBLY INSTRUCTIONS

1. Open right hand front tub roller shield.
2. Place assembly on right rear corner of tub deck drive frame.
3. With tension on the tub chain, slide assembly up until it just clears the chain.
4. Center punch and drill (2) 5/16" holes in corner of tub drive frame.
5. Fasten tub drive chain guide assembly to frame using 5/16" bolts, locks, and nuts.

CHAIN GUIDE ASSEMBLY

PART	QTY.	DESCRIPTION
4702610	1	BRKT\GUIDE\CHAIN\TUB
4702611	1	PLSTC\1/4X2-1/2UHMWPNCH
4702612	1	BRKT\GUIDE\CHAIN
4703417	1	FRM\DECK

TUB AND ROLLERS



* INCLUDED IN 4702045, S/N G10081-0090
 @ INCLUDED IN 4702068, S/N G10091 AND UP

TUB AND ROLLERS

PART	QTY.	DESCRIPTION
4702019		TUB\RLLR\ASY\HD12\97
1200013	8	RLLR\TUB\1-1/2\W/O;FLG
2000078	2	BRG\CYL\1-1/2\SET;SCR
2000534	16	BRG\PB\1-1/2\DODGE W/COLLAR & SETSCREW
2900004	1	CUP\OUTER\WHL;HUB 67010
2900018	1	CONE\OUTER\WHL;HUB(67048
2900055	1	SEAL\WHEEL HUB(16069)
2900056	1	OUTER CUP\WHEEL HUB
2900057	4	HUB\5BOLT\985\COMP
2900061	1	OUTER CONE\WHL HUB(11949
2900064	1	CAP\WHEEL HUB(985)
2900138	1	HUB\5BOLT\W/RACES\W/NUTS>
4700235	4	PRESSURE ROLL STAND 11 SP, S/N GI0081-HI0090
4700400	4	TUB DRIVE TEETH HD12
4701180	8	TUB SEAM\REINF\13-1/2"\HD12
4701785	4	RLLR\PRESS\HEAVY\HD12 S/N GI0081-HI0090
4701863	8	SHIM\RLLR\SPRRT\TUB\>
4701958	1	TUB\3/8WALL\HD12\97
4701959	1	RING\TUB;FLNG\TOP\HD12\97
4702007	8	BRG\PB\RLLR\TUB\ASSY\>
4702016	8	PETAL\TUB\HD12\HEAVY
4702032	8	GSST\FLARE\TUB\HD12\FLAT
4702033	8	GSST\FLARE\TUB\HD12\FCUT
4702045	4	RLLR\PRESS\HEAVY\COMPLETE\HD12 S/N GI0081-HI0090
4702058	4	BRKT\RLLR\PRESS\11\CENTR S/N HI0091 AND UP
4702059	4	RLLR\PRESS\HEAVY\10-3/4\HD12 S/N HI0091 AND UP
4702068	4	RLLR\PRESS\HVY\10.75\COMP\HD12 S/N HI0091 AND UP
4800114	48	BOLT\HEX\1/2X2
4800172	4	PIN\COT\1/8X2
4800201	8	BOLT\CRG\1/2X1-3/4\NC\GR5
4900001	56	NUT\HEX\1/2\NC
4900094	5	NUT\TPR\WHL\1/2\13/16OD\NF
4900112	4	NUT\SLOT\5/8\NF
5000004	72	WASH\FLAT\1/2
5000006	76	WASH\LOCK\1/2
5000094	4	WASH\SPNDL\5/8

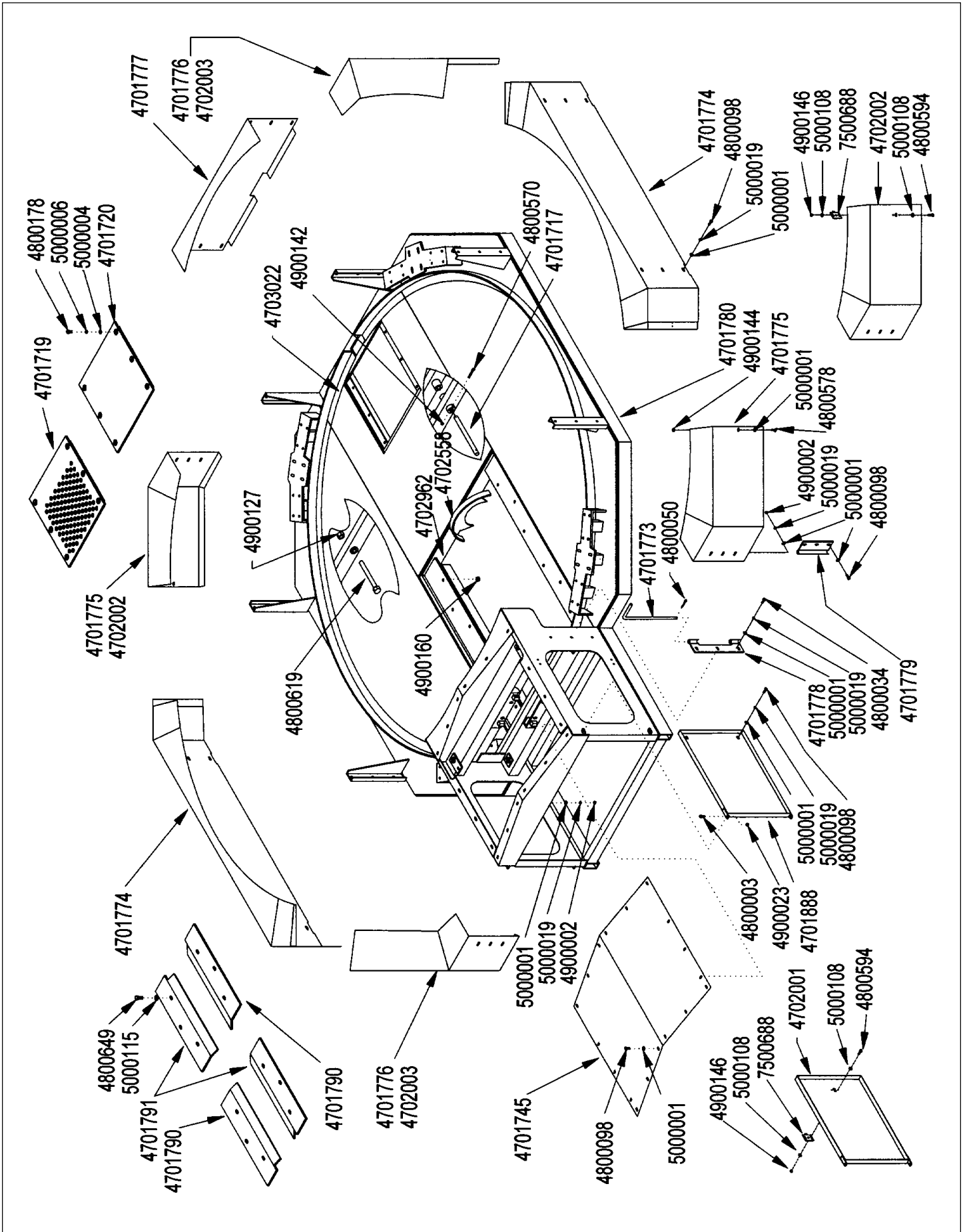
TUB CHANNEL

D1004832	1	CHAN\RLLR\TUB
----------	---	---------------

ROLLER STANDS

D1004929	4	MNT\RLLR\TUB	} 3 PIECES PER UNIT 4 UNITS PER MACHINE
D1004930	4	BRC\CTR\MNT\RLLR\TUB	
D1004931	8	BRC\OUTER\MNT\RLLR\TUB	

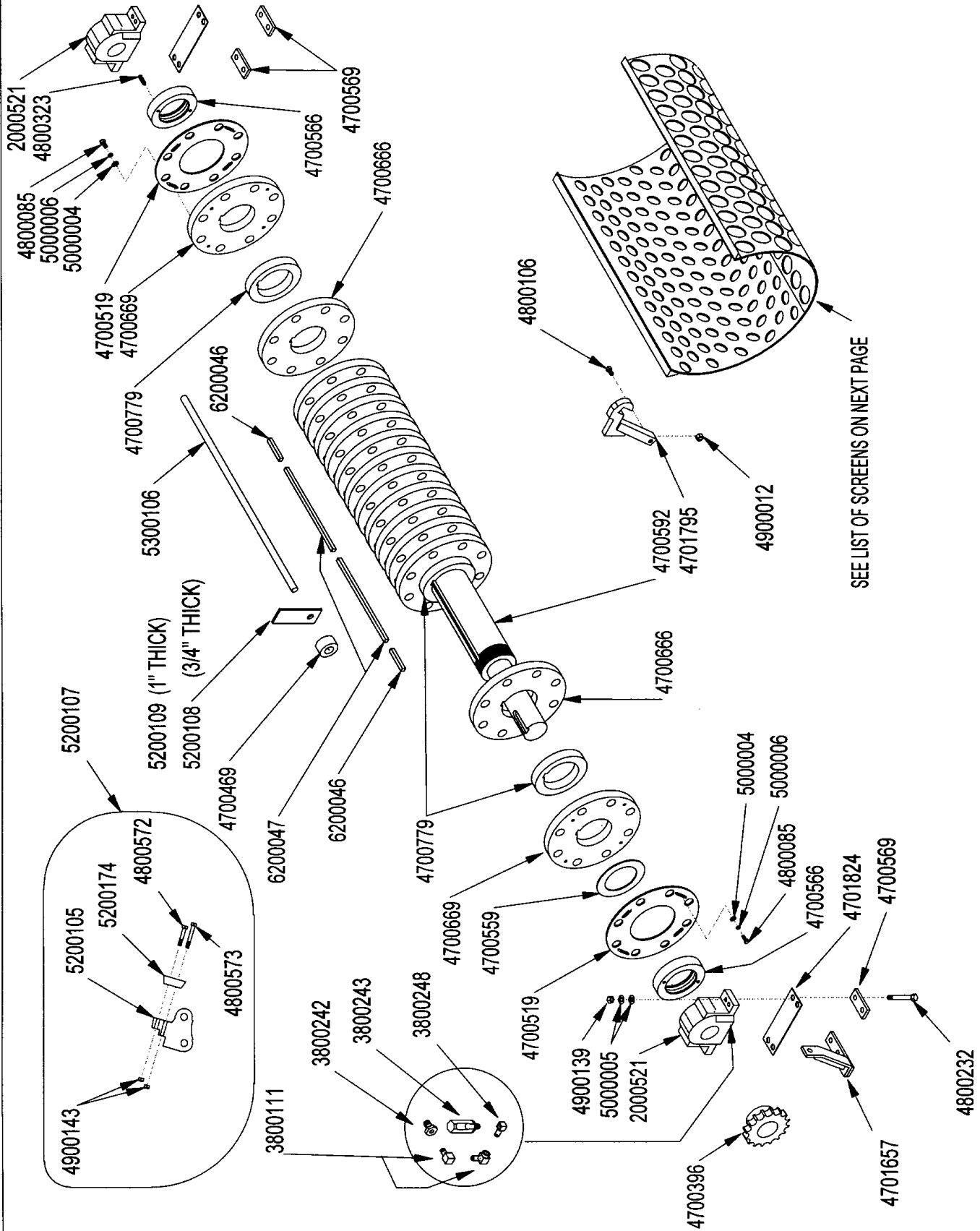
PLATFORM



PLATFORM

PART	QTY.	DESCRIPTION
4701978		PLTFRM\ASSY\SUB\HD12\97
4701717	4	PIN\HDLSS\1X13\1HOLE\>
4701719	OPTION	SCRN\FLAT\30-1/2X22-1/2\1"HOLE
4701720	1	SCRN\FL\30-1/2X22-1/2\PL
4701722	DELETED	REPLACED BY 4800619 AND 4900127
4701745	1	GUARD\TOP\DECK\DRV
4701773	4	PIN\HINGE\GUARD\16X5/8
4701774	2	GUARD\RLLR\TUB\SIDE\HD12
4701775		GUARD\RLLR\TUB\DOOR\LH>BOLTED
4701776		GUARD\RLLR\TUB\DOOR\RH> BOLTED
4701777	1	GUARD\RLLR\TUB\REAR\>
4701778	4	HINGE\GUARD\RLLR\OUTER\>
4701779	4	HINGE\GUARD\RLLR\INNER\>
4701780	1	FRM\PLTFRM\HD12\97
4701790	2	PL\WEAR\SCRN\RH\HD12
4701791	2	PL\WEAR\SCRN\LH\HD12
4701888		DOOR\ACCESS\DRIVE\TUB
4702001	2	DOOR\ACCESS\DRIVE\TUB
4702002	2	GUARD\RLLR\TUB\DOOR\LH>LATCHED
4702003	2	GUARD\RLLR\TUB\DOOR\RH> LATCHED
4703022	8	SEAL\TUB\FLR\46\HD12
4800003	4	BOLT\HEX\3/8X1
4800034	12	BOLT\HEX\3/8X1-1/2
4800050	4	PIN\COT\3/16X1-1/2
4800098	42	BOLT\HEX\3/8X1-1/4\NC
4800178	6	BOLT\HEX\1/2X1-3/4
4800649	12	BOLT\HEX\3/4X3\GR8\NC
4800570	3	BOLT\HEX\5/16X2-1/2
4800578		BOLT\WING\3/8X1\NC
4800594	12	SCR\PAN\SLOT\#12X3/4\NC
4800619	2	BOLT\HEX\1X10-1/2\NC\GR5
4900002	30	NUT\HEX\3/8\NC
4900023	4	NUT\TPLCK\3/8\NC
4900127	2	NUT\TPLCK\1\NC
4900160	12	NUT\FLG\TPLCK\3/4\GR8\NC
4900142	3	NUT\TPLCK\5/16
4900144		NUT\PUSH\3/8\RETAINER
4900146	12	NUT\TPLCK\#12\NC
5000001	84	WASH\FLAT\3/8
5000004	6	WASH\FLAT\1/2
5000115	12	WASH\FLAT\3/4\EXTRTHK\GR8
5000006	6	WASH\LOCK\1/2
5000019	54	WASH\LOCK\3/8
5000108	24	WASH\FLAT\#12
7500688	6	LATCH\SLAM\HEX\2100H
Not Shown		
4702707		GSST\SUP\SCRN\FRM\HD12
4702558		GUARD\TWINE\UPPER\HD12-IV
4702962		ENCL\RTR\END\UPPER\PLTFRM

ROTOR ASSEMBLY SERIAL # GI0082-GI0084



ROTOR ASSEMBLY SERIAL # GI0082-GI0084

PART	QTY.	DESCRIPTION
4701954		ASSY\RTRI\HD12\GI0080+
2000521	2	BRG\PB\4\DODGE\COMP
3800111	4	FTG\1/8MPX1/8FP\90D\ST;EL
3800242	2	FTG\3/8MPX1/8FP\BUSH
3800243	2	FTG\LUB\1/8MP\SIGHT;GLASS
3800248	2	FTG\LUB\1/8MPX1/8FP\90D>
4700396	1	SPKT\60\20\4\NSNR
4700469	80	SPCR\SHOCK\1.27ID X1 3/8
4700519	2	PL\RTRI\MVBL\8.030ID\1/4>
4700559	1	WASH\FLAT\8X5-9/16\THRUST
4700566	2	NUT\RTRI\5-1/2X2X8\LH>
4700569	3	BEARING MT DOUBLER
4700592	1	SHFT\RTRI\5-1/2X85-1/4>
4700666	19	PL\RTRI\5-1/2X1.25RD>
4700669	2	PL\RTRI\5.5X1.25\TPPD
4700779	20	SPCR\CAST\8.645X5.5X1.529
4701657	1	MNT\SENSOR\RH
4701795	2	LATCH\SCRN\GDR\1-1/2T
4701824	4	SHIM\BRG\16-1/4X4-3/4X10GA
4800106	2	BOLT\HEX\5/8X1-1/2
4800085	8	BOLT\HEX\1/2X1
4800232	8	BOLT\HEX\3/4X8
4800323	4	SCR\SET\ALN\1/2X1\NC
4800572	1	BOLT\HEX\5/8X3-1/2\NF\GR8
4800573	1	BOLT\HEX\5/8X4-1/2\NF\GR8
4900012	4	NUT\5/8\TPLK\NC
4900139	8	NUT\TPLCK\3/4\GR8\NC
4900143	2	NUT\TPLCK\5/8\NF\GR8
5000004	8	WASH\FLAT\1/2
5000005	16	WASH\FLAT\3/4
5000006	8	WASH\LOCK\1/2
5200105		SHANK FROG(FIXED HMR)
5200107	40	FIXED HAMMER-COMPLETE
5200108	80	"3/4" HAMMERS (3")"
5200109		SUPREME HAMMERS 1" X 3"
5200174		HMMR\TIP\2-BOLT\KENNAMTL
5300106	8	"56"X1 1/4 (1.25)ROD(IND)"
6200046	2	KEY\RECT\5/8X1/2X6-1/4\
6200047	2	KEY\RECT\5/8X1/2X24-3/4\

HEAVY ROTOR ASSEMBLY SERIAL # GI0085 AND UP

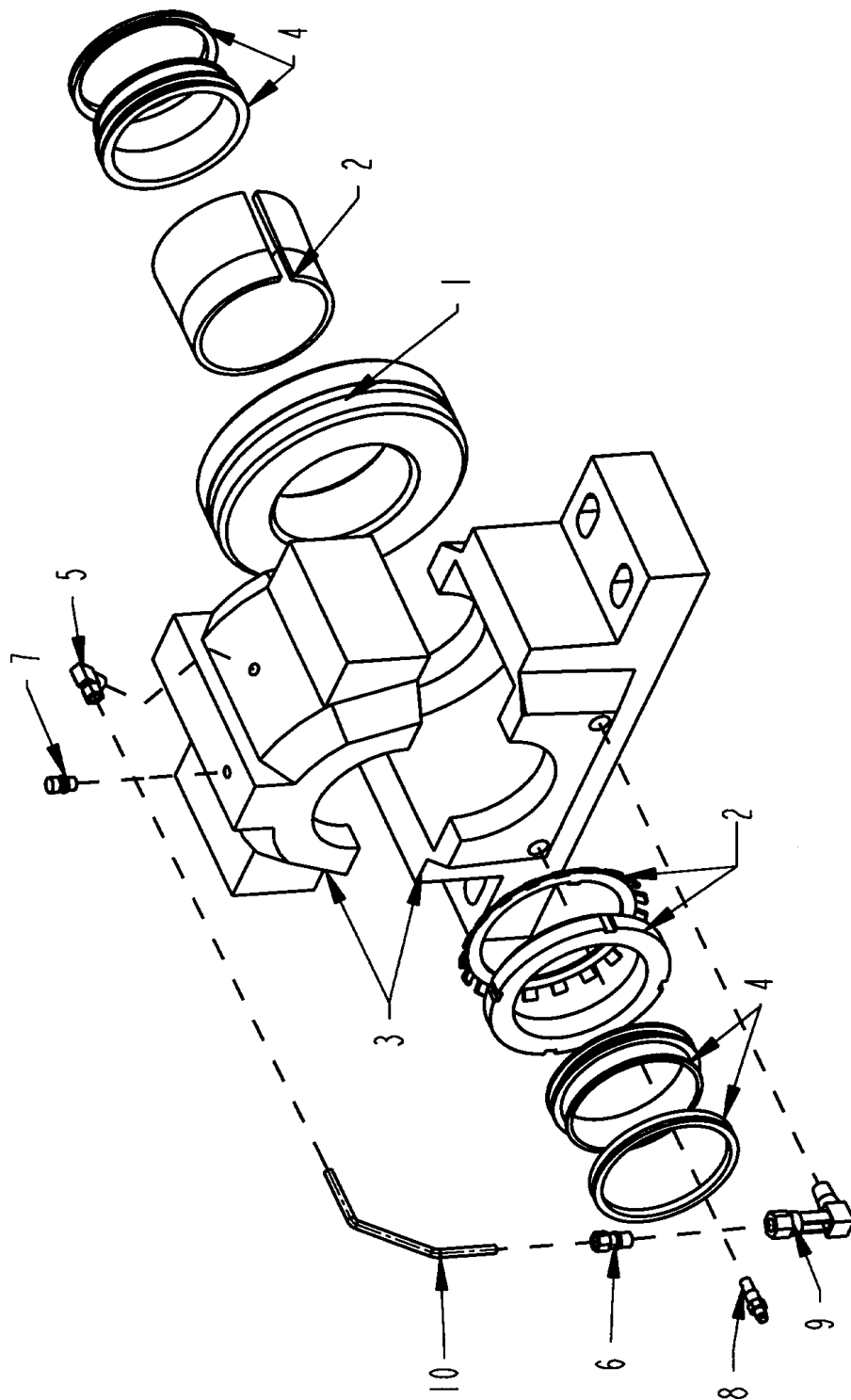
PART	QTY.	DESCRIPTION
4702018		RTR\ASY\56X1-1/2\HD12\97
2000521	2	BRG\PB\4\DODGE\COMP
3800111	4	FTG\1/8MPX1/8FP\90D\ST;EL
3800243	2	FTG\LUB\1/8MP\SIGHT;GLASS
3800248	2	FTG\LUB\1/8MPX1/8FP\90D>
3800242	2	FTG\3/8MPX1/8FP\BUSH
4700396	1	SPKT\60\20\4\SNSR
4700569	3 OR 4	BEARING MT DOUBLER
4701657	3	MNT\SENSOR\RH sn GI0081 TO HI0090
4701795	2	LATCH\SCRN\GRDR\1-1/2T
4701824	2	SHIM\BRG\16-1/4X4-3/4X>
4701942	2	RTR\PLT\MOV\1-1/2\6\HD12
4701943	2	RTR\NUT\6\HD12
4701944	1	WASH\FLAT\6\HARD\80.D.
4701945	28	SPCR\CAST\8.645X6X1.220
4701946	1	ROTOR SHAFT HD12
4701947	13	RTR\PLT\1-1/2\6ID\HD12
4701948	2	RTR\PLT\TPPD\1-1/2\6\HD12
4701949	56	SPCR\SHOCK\1-1/2X3X2-1/4L
4702213	1	BRKT\SNSR\RTR\HD12IV sn HI0091 AND UP
4702222	112	SPCR\HMMR\1-1/2X3X5/8
4800085	8	BOLT\HEX\1/2X1
4800106	2	BOLT\HEX\5/8X1-1/2
4800295	8	BOLT\HEX\3/4X7
4800323	4	SCR\SET\ALN\1/2X1\NC
4800356	2	SCR\SET\ALN\3/8X1/2\NC
4800563	1	BOLT\HEX\7/8X5-1/2\NF\GR9
4800572	1	BOLT\HEX\5/8X3-1/2\NF\GR8
4800573	1	BOLT\HEX\5/8X4-1/2\NF\GR8
4900012	2	NUT\TPLCK\5/8\NC
4900139	8	NUT\TPLCK\3/4\GR8\NC
4900143	2	NUT\TPLCK\5/8\GR8\NF
4900148	1	NUT\TPLCK\7/8\NF\GR9
5000004	8	WASH\FLAT\1/2
5000005	16	WASH\FLAT\3/4
5000006	8	WASH\LOCK\1/2
5200132		HMMR\TIP\US\HD13\60-504
5200135	56	HMMR\SWING\1X3-1/2X1-1/2\
5200136		HMMR\FIXED\BASE\HD12\1;BOLT
5200137		HMMR\FIXED\BASE\HD12\2;BOLT
5200138	28	HMMR\FIXED\COMPL\1-1/2\1;BOLT
5200139	28	HMMR\FIXED\COMPL\1-1/2\2;BOLT
5200174		HMMR\TIP\2-BOLT\KENNAMTL
5300108	8	"HAMMER ROD 1.5"X 56"
6200056	4	KEY\REC\3/4X1X14

PART	DESCRIPTION
4702743	Scrn\1h\1/2\W\Db\HD12
4702909	Scrn\1-1/2h\1/2\W\Db\HD12
4700695	Scrn\2h\1\HD12
4702931	Scrn\2h\1/2\W\Double\HD12
4700730	Scrn\3h\1\HD12
4702932	Scrn\3h\1/2\W\Doubl\HD12
4700731	Scrn\4h\1\HD12
4702933	Scrn\4h\1/2\W\Doubl\HD12
4700637	Scrn\4x6h\1\HD12
4700732	Scrn\6x7h\1\HD12
4702934	Scrn\6x7\1/2\W\Doubl\HD12

Not Shown

4701249	GUIDE\SCRN\1/2\HD-12\F&R
4701856	GUIDE\SCRN\1/2\HD12\CTR

ROTOR BEARING ASSEMBLY - WITH VENT



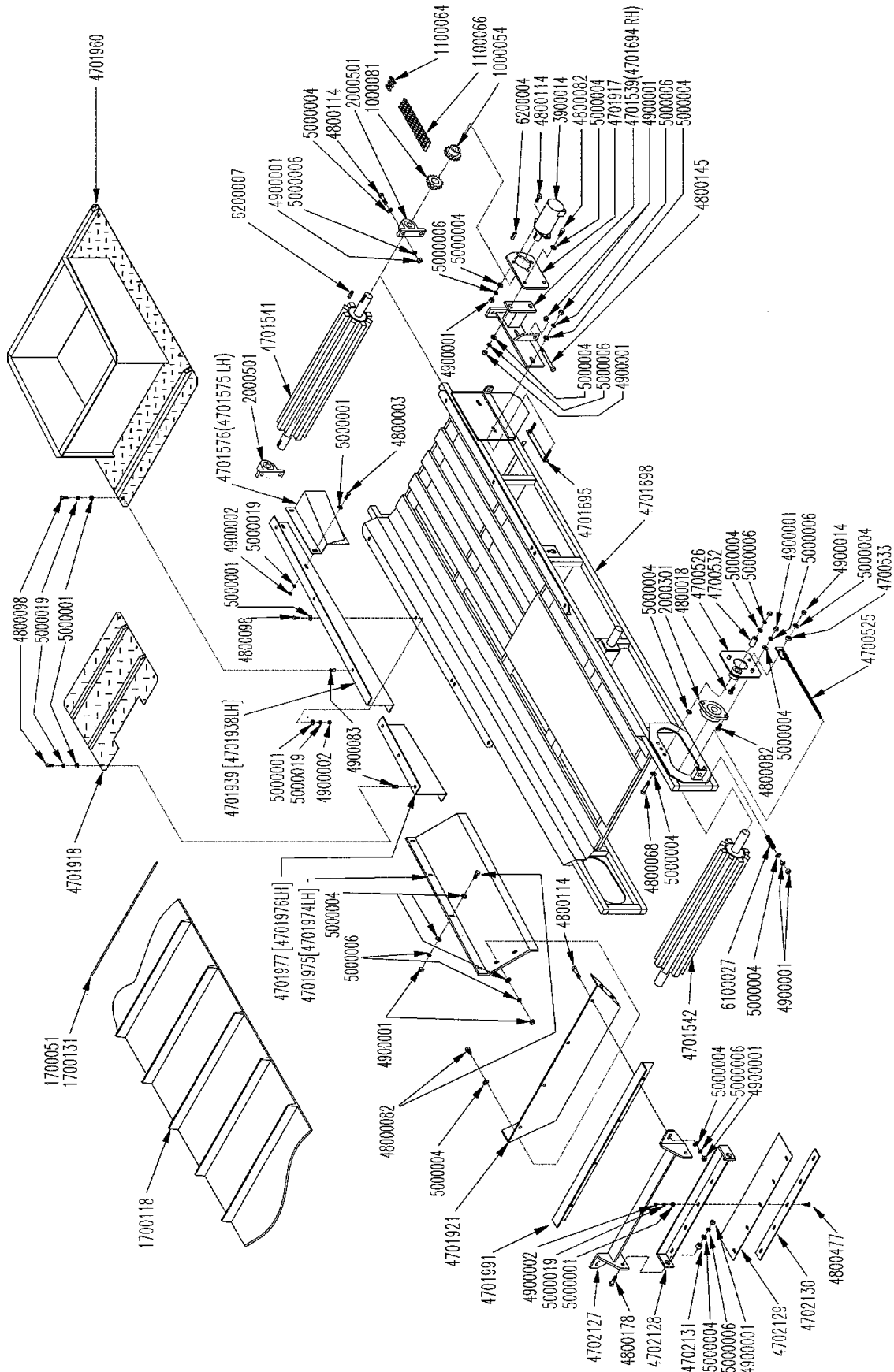
ROTOR BEARING ASSEMBLY - WITH VENT

ITEM#	PART	QTY.	DESCRIPTION
	2000521		BRG\PB\4\DODGE\COMP Includes items 1,2,3, and 4
1	2000042	1	BRG\INSERT\22222K\DODGE\>
2	2000043	1	BRG\PB\4\SLEEVE,NUT,WASHER\>
3	2000524	1	BRG\PB\4\SAF522XT\HOUSING
4	2001011	2	SEAL\OIL\4\DODGE\522\PB
5	3800062	1	FTG\LUB\1/4COMPX1/8MP\90D
6	3800095	1	FTG\LUB\1/4COMPX1/8MP\ADPT\LW
7	3800380	1	FTG\VENT\1/8MP
8	5700437	1	SNSR\GAGE\TEMP\&KIT\ADP
9	7500822	1	GAUGE\SIGHT\1/4MPX1/8FP\
10	3700142	8	HOSE\LUB\1/4VFT\NYL

Not Shown

5700418	GAUGE\KIT\TEMP\BRGS\HD12
5700438	GAUGE\TEMP\12\BRG\300DEG
5700539	RESISTOR&BULB\GAUGE\TEMP

BELLY CONVEYOR



BELLY CONVEYOR

PART	QTY.	DESCRIPTION
4701952		CNVYR\BELLY\ASY\HD12\97\>
1000054	1	SPKT\60\B\18\1-1/4\5/16KW
1000081	1	SPKT\60\B\18\1-1/2\3/8KW
1100064	1	CHAIN\60\DBL\CL
1100066	1	CHAIN\60\DBL\17
1700051	1	LCNG\CBL\3/16X30\NYL
1700118	1	BELT\CNVYR\30X299\CLEATED
1700131		LCNG\CBL\R-2\30
2000301	2	BRG\FLG\CAST\1-1/4\2BOLT
2000501	2	BRG\PB\1-1/2\2BOLT
3900014	1	MTR\HYD\9.6\2000\1-1/4SH
4700525	2	ADJ ROD
4700526	2	BEARING BRACKET
4700532	2	BUSH\1ODX.5IDX1-3/16L
4700533	2	BUSH\1ODX.5IDX5/16L
4701539	1	BRKT\SLIDE\BRNG\DR\CNVYR>
4701541	1	RLLR\DRIVE\39-3/4X6\CNVYR
4701542	1	RLLR\IDLER\39X6\CNVYR\>
4701575	1	DEFLR\DISCH\LH\BELLY*ASY>
4701576	1	DEFLR\DISCH\RH\BELLY*ASY>
4701694	1	BRKT\SL\BRNG\DR\CNVYR\>
4701695	2	BRKT\TG\HTR\RLLR\CNVYR>
4701698	1	FRM\CNVYR\BELLY\HD12
4701917	1	BRKT\MTR\ORBIT\CNVYR\>
4701918	1	COV\CNVYR\BELLY\HD12
4701921	1	ENCL\BOX\CYL\FR\HD12
4701938	1	CHAN\COV\REAR\LH\CNVYR\>
4701939	1	CHAN\COV\REAR\RH\CNVYR\>
4701960	1	CVR\CNVYR\BELLY\REAR\HD12
4701974	1	GUIDE\CNVYR\BPAN\LH
4701975	1	GUIDE\CNVYR\BPAN\RH
4701976	1	CHAN\COV\LH\FR\CNVYR\BLLY
4701977	1	CHAN\COV\RH\FR\CNVYR\BLLY
4701991	1	SEAL\CNVYR\BELLY\41X2-3/4X2\HD12
4702127	1	BRKT\SEAL\CNVYR\UPPER\>
4702128	1	BRKT\SEAL\CNVYR\LOWER\>
4702129	1	BELTNG\SEAL\CNVYR\1/8X6X>
4702130	1	FLAT\RTNR\BELTNG\2X27\>
4702131	2	BUSH\1X.517X5/8
4800003	4	BOLT\HEX\3/8X1
4800018	2	BOLT\HEX\1/2X1-1/4
4800068	2	BOLT\HEX\1/2X3
4800082	18	BOLT\HEX\1/2X1-1/2
4800098	22	BOLT\HEX\3/8X1-1/4\NC
4800114	8	BOLT\HEX\1/2X2
4800145	2	BOLT\HEX\1/2X6
4800178	2	BOLT\HEX\1/2X1-3/4
4800477	5	BOLT\CRG\3/8X1-1/2\NC
4900001	38	NUT\HEX\1/2\NC
4900002	19	NUT\HEX\3/8\NC
4900014	2	"NUT\TPLCK\1/2\NC\500"MAX"
4900083	12	NUT\INSRT\3/8\LONG\>
5000001	41	WASH\FLAT\3/8
5000004	56	WASH\FLAT\1/2
5000006	34	WASH\LOCK\1/2
5000019	31	WASH\LOCK\3/8
6100027	2	SPRNG\COMPRESSION
6200004	1	KEY\SQ\5/16X1-1/2
6200007	1	KEY\SQ\3/8X1-1/2

Not Shown

1700053	LCNG\FSTNR\187W\STPL\30
1700130	LCNG\R-2\30
1700132	LCNG\RIVETR-2
1700129	LCNG\TOOL\R-2\SNGL
1700137	LCNG\TOOL\R-2\41213\APP

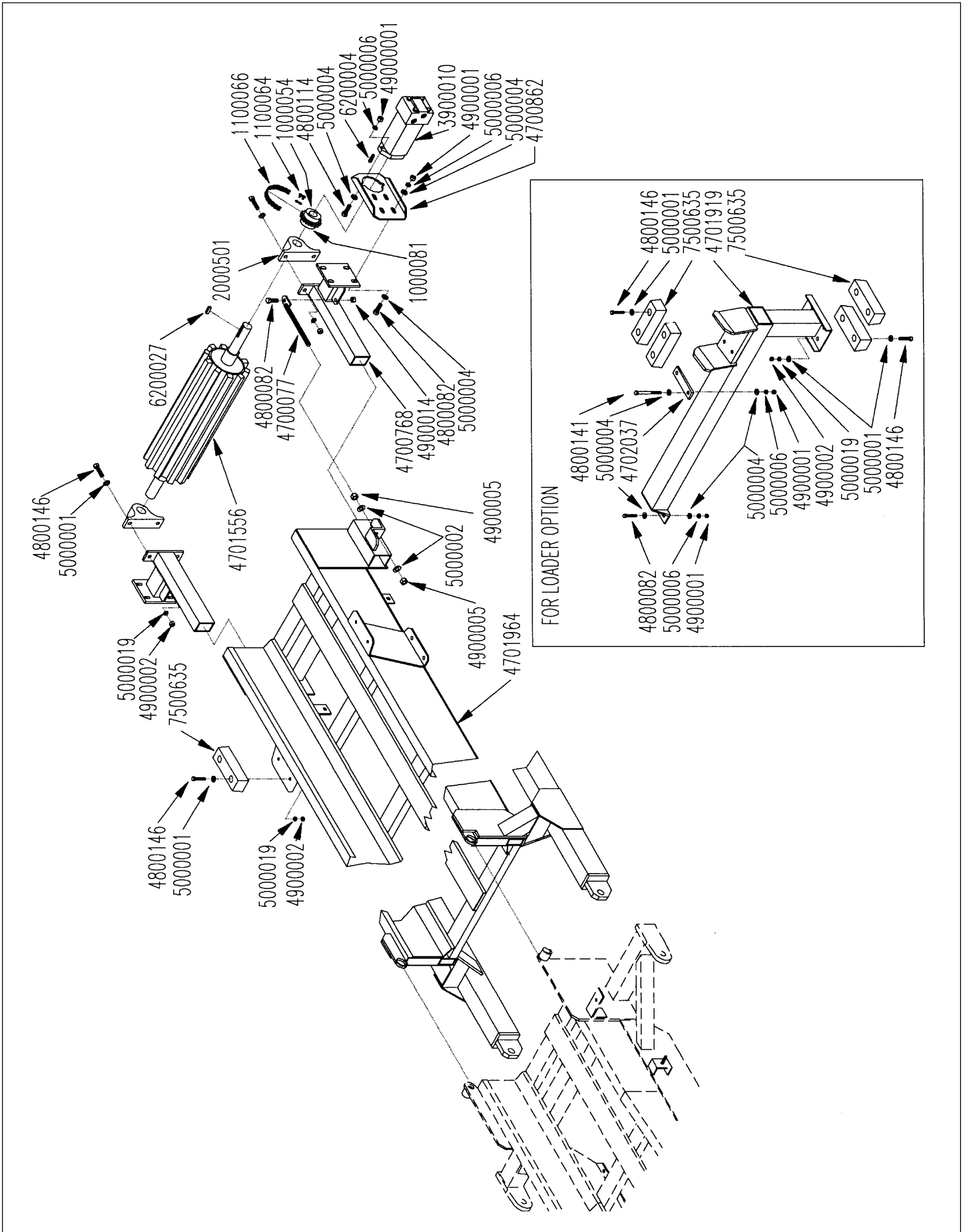
LOWER DISCHARGE CONVEYOR S.N. GI0080 TO GI0090

PART	QTY.	DESCRIPTION
4701950		CNVYR\DISCH\LOWER\ASSY>
1700078	1	LCNG\CBL\1/8X24
1700119	1	BELT\CNVYR\24X629\CLEATED
2000303	2	BRG\FLG\1-1/2\4BOLT
4700777	10	CLMP\HOSE\1/2
4701528	1	BRKT\ADY\TRKNG\CNVYR\DISCH
4701529	1	HOOK\ROD\TGHTNR\BELT\CNVYR\DISCH
4701549	1	DEFLR\CNVYR\DISCH\LH>
4701550	1	DEFLR\CNVYR\DISCH\RH>
4701551	2	BRKT\MTG\RH\CNVYR\DISC>
4701553	2	BUSH\HINGE\CNVYR\DISCH>
4701554	1	BRACE\DEFLR\CNVYR\DISCH>
4701555	1	RLLR\IDLER\35-1/2X8\CNVY>
4701558	2	CLAMP\HOSE\CNVYR\DISCH>
4701963	1	FRM\CNVYR\DISCH\LWR\HD12>
4800003	12	BOLT\HEX\3/8X1
4800079	1	BOLT\HEX\5/8X2-1/2
4800146	2	BOLT\HEX\3/8X2
4800158	6	BOLT\HEX\5/8X4-1/2
4800178	8	BOLT\HEX\1/2X1-3/4
4800203	16	PIN\COT\5/32X2
4900001	8	NUT\HEX\1/2\NC
4900002	12	NUT\HEX\3/8\NC
4900005	4	NUT\HEX\5/8\NC
4900012	2	NUT\TPLCK\5/8\NC
5000002	12	WASH\FLAT\5/8
5000003	4	WASH\LOCK\5/8
5000006	8	WASH\LOCK\1/2
5000019	12	WASH\LOCK\3/8
8900107	8	"1"X3 5/8" PIN"

Not Shown

1700083		LCNG\#125\24\W\STPLS
---------	--	----------------------

UPPER DISCHARGE CONVEYOR S.N. GI0080 TO GI0090

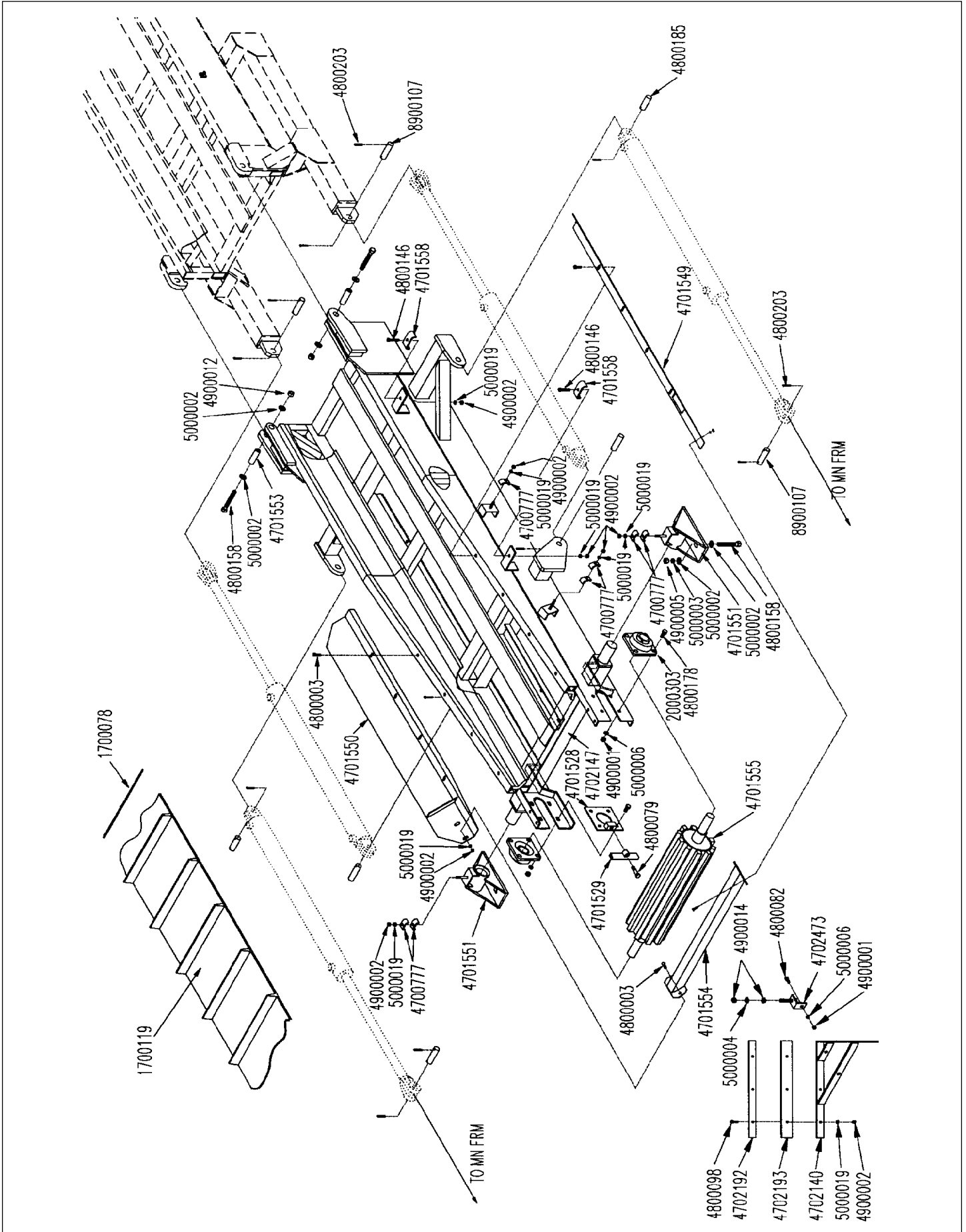


UPPER DISCHARGE CONVEYOR S.N. GI0080 TO GI0090

PART	QTY.	DESCRIPTION
4701951		CNVYR\DISCH\UPPER\ASSY\>
1000054	1	SPKT\60\18\1-1/4\5/16KW
1000081	1	SPKT\60\18\1-1/2\3/8KW
1100064	1	CHAIN\60DBL\CL
1100066	1	CHAIN\60DBL\17
2000501	2	BRG\PB\1-1/2\2BOLT
3900010	1	MTR\HYD\24\2000\SAE;A;>
4700077	2	BOLT\CNVYR\TENSION ADJ
4700768	2	BRKT\CNVYR\BRGMTR
4700862	1	BRKT\MTR\ORBIT\8-1/2X10>
4701556	1	RLLR\DRIVE\36-1/2X8\CNVY>
4701964	1	FRM\CNVYR\DISCH\UPPR\>
4800082	6	BOLT\HEX\1/2X1-1/2
4800114	2	BOLT\HEX\1/2X2
4800146	8	BOLT\HEX\3/8X2
4900001	6	NUT\HEX\1/2\NC
4900002	8	NUT\HEX\3/8\NC
4900005	4	NUT\HEX\5/8\NC
4900014	2	"NUT\TPLCK\1/2\NC\.500"MAX"
5000001	8	WASH\FLAT\3/8
5000002	4	WASH\FLAT\5/8
5000004	10	WASH\FLAT\1/2
5000006	6	WASH\LOCK\1/2
5000019	8	WASH\LOCK\3/8
6200004	1	KEY\SQ\5/16X1-1/2
6200027	1	KEY\SQ\3/8X1-1/4
7500635	2	CUSH\RBBR\7-3/4X2-7/16X2

PART	QTY.	DESCRIPTION
4702038		REST\TUB\ASSY\LDR\HOOD\>
4701919	1	REST\TUB\LDR\HOOD\HD1297
4702037	1	STRAP\MNT\REST\TUB\LDR\>
4800082	2	BOLT\HEX\1/2X1-1/2
4800141	2	BOLT\HEX\1/2X4-1/2
4800146	8	BOLT\HEX\3/8X2
4900002	8	NUT\HEX\3/8\NC
5000001	20	WASH\FLAT\3/8
5000019	8	WASH\LOCK\3/8
7500635	4	CUSH\RBBR\7-3/4X2-7/16X2

LOWER DISCHARGE CONVEYOR S.N. HI0091 AND UP



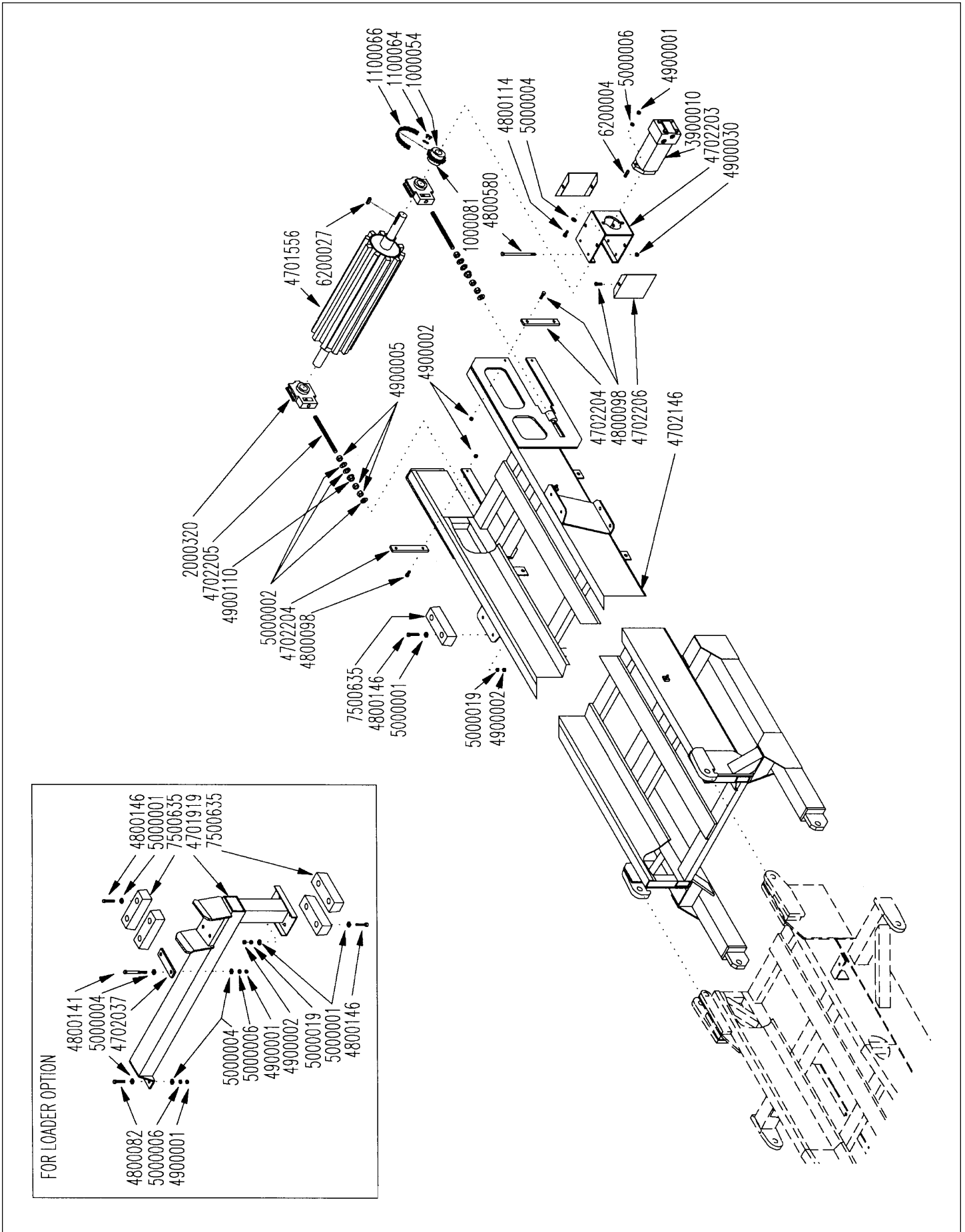
LOWER DISCHARGE CONVEYOR S.N. HI0091 AND UP

PART	QTY.	DESCRIPTION
4701950		CNVYR\DISCH\LOWER\ASSY>
1700078	1	LCNG\CBL\1/8X24
1700119	1	BELT\CNVYR\24X629\CLEATED
2000303	2	BRG\FLG\1-1/2\4BOLT
4700777	10	CLMP\HOSE\1/2
4701528	1	BRKT\ADY\TRKNG\CNVYR\DISCH
4701529	1	HOOK\ROD\TGHTNR\BELT\CNVYR\DISCH
4701549	1	DEFLR\CNVYR\DISCH\LH>
4701550	1	DEFLR\CNVYR\DISCH\RH>
4701551	2	BRKT\MTG\RH\CNVYR\DISC>
4701553	2	BUSH\HINGE\CNVYR\DISCH>
4701554	1	BRACE\DEFLR\CNVYR\DISCH>
4701555	1	RLLR\IDLER\35-1/2X8\CNVY>
4701558	2	CLAMP\HOSE\CNVYR\DISCH>
4701963	1	FRM\CNVYR\DISCH\LWR\HD12>
4702140	1	FLT\SCRPR\BELT\CNVYR\DISCH
4702192	2	FLT\DBL\SCRPR\CNVYR
4702193	2	SCRPR\PLASTIC\CNVY
4702473	1	SCRPR\BELT\CNVYR\DISCH
4800003	12	BOLT\HEX\3/8X1
4800079	1	BOLT\HEX\5/8X2-1/2
4800146	2	BOLT\HEX\3/8X2
4800158	6	BOLT\HEX\5/8X4-1/2
4800178	8	BOLT\HEX\1/2X1-3/4
4800203	16	PIN\COT\5/32X2
4900001	8	NUT\HEX\1/2\NC
4900002	12	NUT\HEX\3/8\NC
4900005	4	NUT\HEX\5/8\NC
4900012	2	NUT\TPLCK\5/8\NC
5000002	12	WASH\FLAT\5/8
5000003	4	WASH\LOCK\5/8
5000006	8	WASH\LOCK\1/2
5000019	12	WASH\LOCK\3/8
8900107	8	"1"X3 5/8" PIN"

Not Shown

1700083		LCNG\#125\24\W\STPLS
4701559		GUIDE\BELT\CNVYR\DISCH

UPPER DISCHARGE CONVEYOR S.N. HI0091 AND UP

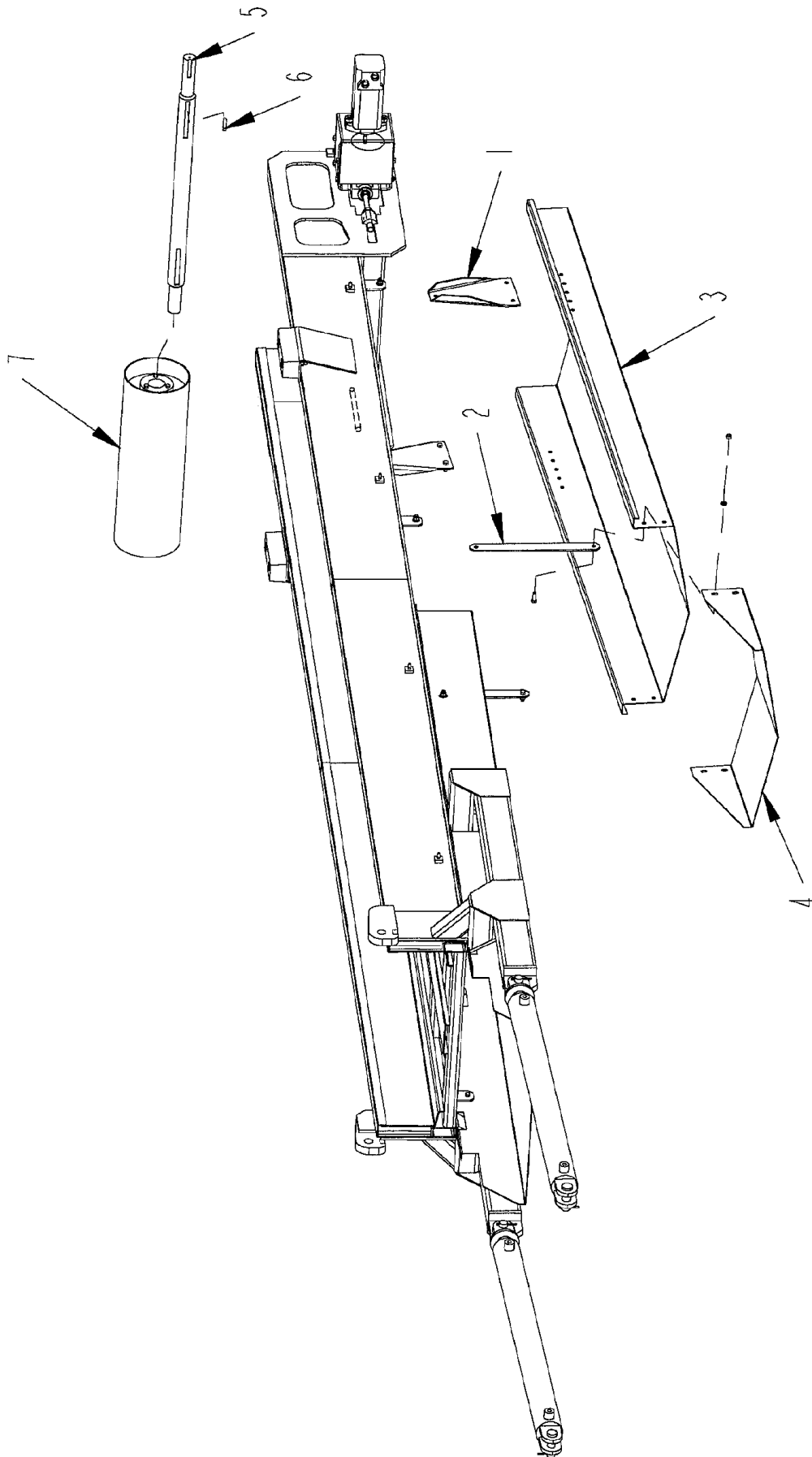


UPPER DISCHARGE CONVEYOR S.N. HI0091 AND UP

PART	QTY.	DESCRIPTION
4702224		CNVYR\DISCH\UPPER\ASSY\98
1000054	1	SPKT\60\B\18\1-1M5\16KW
1000081	1	SPKT\60\B\18\1-1/2\3/8KW
1100064	1	CHAIN\60DBL\CL
1100066	1	CHAIN\60DBL\ 17
2000320	2	BRG\TUU\1-1/2\W-ECC\BSEAL
3900010	1	MTR\HYD\24\2000\SAE;A
4701556	1	ROLLER\DRIVE\36-1/2X8
4702146	1	FRM\CNVYR\DISCH\UPPR\HD 12
4702203	1	BRKT\MTR\DRV\CNVYR
4702204	2	STRAP\REINFRG\GUIDE\BRG\>
4702205	2	BOLT\AD~RLLR\DRV\CNVYR
4702206	2	GUARD\SPKT\CPLG\DRV\CNVYR
4800098	8	BOLT\HEX\3/8X1-1/4\NC
4800114	2	BOLT\HEX\1/2X2
4800146	4	BOLT\HEX\3/8X2
4800580	2	BOLT\HEX\3/8X7
4900001	2	NUT\HEX\1/2\NC
4900002	8	NUT\HEX\3/8\NC
4900005	6	NUT\HEX\5/8\NC
4900030	2	NUT\NYLCK\3/8\NC
4900083	4	NUT\INSRT\3/8\LONG\>
4900110	2	NUT\FLANGE\SERR\5/8\NC
5000001	4	WASH\FLAT\3/8
5000002	6	WASH\FLAT\5/8
5000004	2	WASH\FLAT\1/2
5000006	2	WASH\LOCK\1/2
5000019	4	WASH\LOCK\3/8
6200004	1	KEY\SQ\5/16X1-1/2
6200027	1	KEY\SQ\3/8X 1 - 1/4
7500635	2	CUSH\RBBR\7-3/4X2-7/16X2

PART	QTY.	DESCRIPTION
4702038		REST\TUB\ASSY\LDR\HOOD\>
4701919	1	REST\TUB\LDR\HOOD\HD1297
4702037	1	STRAP\MNT\REST\TUB\LDR\>
4800082	2	BOLT\HEX\1/2X1-1/2
4800141	2	BOLT\HEX\1/2X4- 1/2
4800146	8	BOLT\HEX\3/8X2
4900001	4	NUT\HEX\1/2\NC
4900002	8	NUT\HEX\3/8\NC
5000001	20	WASH\FLAT\3/8
5000004	8	WASH\FLAT\1/2
5000006	4	WASH\LOCK\1/2
5000019	8	WASH\LOCK\3/8
7500635	4	CUSH\RBBR\7-3/4X2-7/16X2

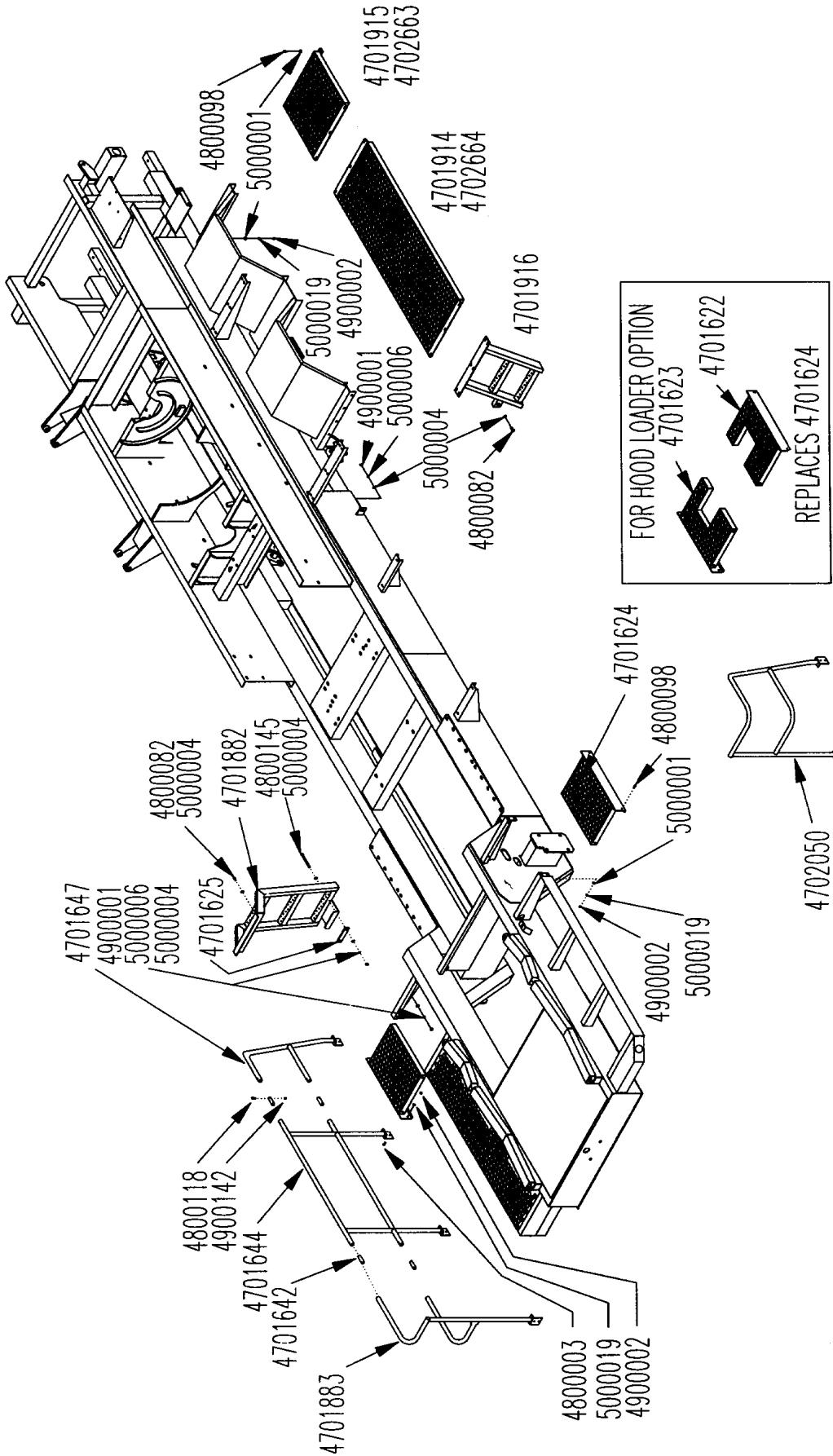
MAGNETIC ROLLER ASSEMBLY W/FIXED CHUTE



MAGNETIC ROLLER ASSEMBLY W/FIXED CHUTE

ITEM	PART	QTY.	DESCRIPTION
	4702030		CNVYR\DISCH\MAG;OPT\HD12
1	4702039	2	BRKT\MTG\REAR\CHUTE\MGNTC\W\YOKE
2	4702008	2	BRKT\MTG\FRONT\CHUTE\RLLR
3	4701526	1	CNVYR\CHUTE\VAL\24\HD10
4	4701532	1	CHUTE\END\SECTION\24\HD10
5, 6, & 7	7500840		RLLR\MAG\8X24\KEYED\SHAFT
	Not Shown		
	4800003	10	BOLT\HEX\3/8X1
	4800559	2	IN\LYNCH\5/16X2-1/2\>
	4900023	10	NUT\TPLCK\3/8\NC
	5000001	8	WASH\FLAT\3/8

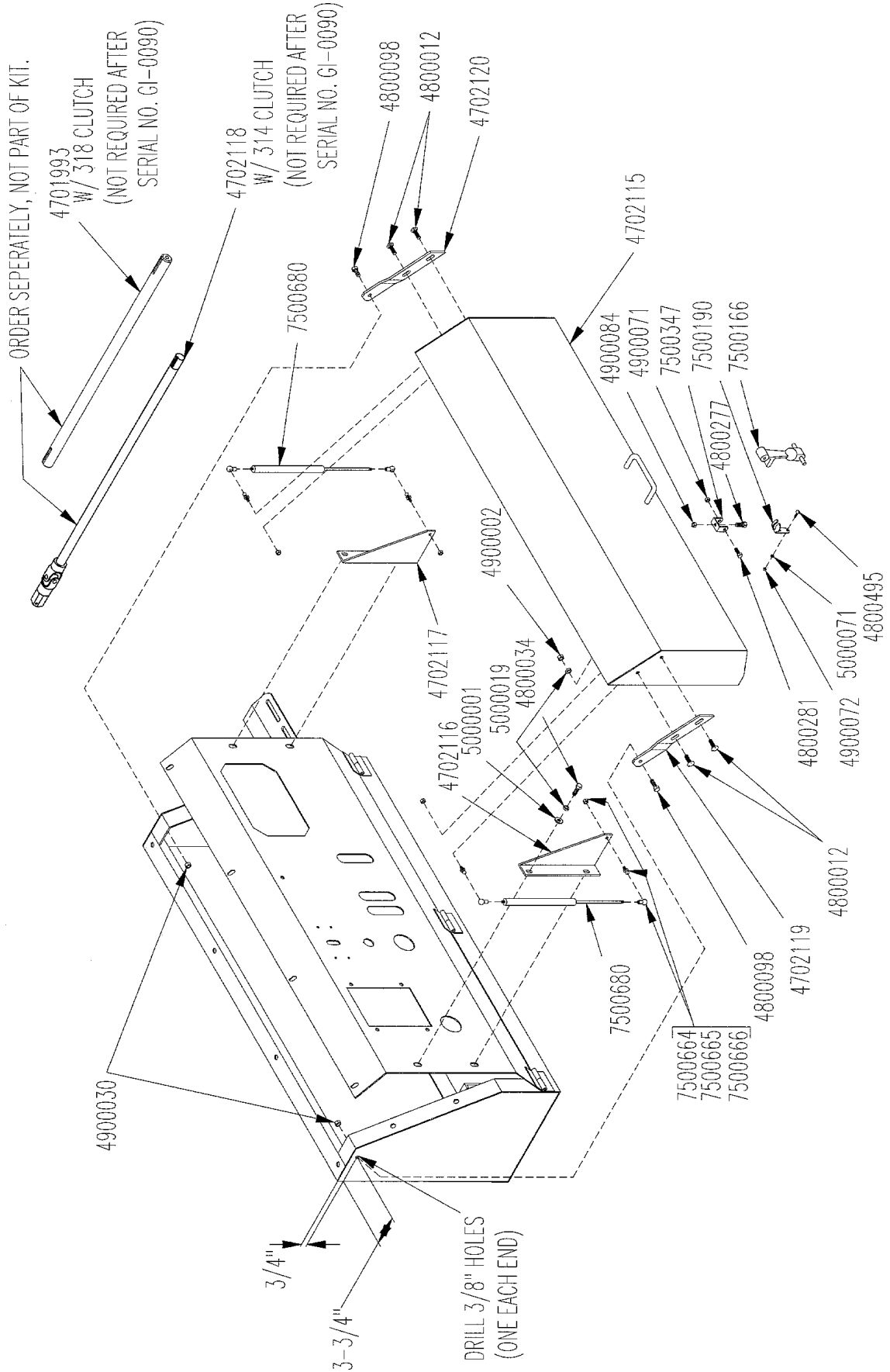
HAND RAIL AND WALKWAYS



HAND RAIL AND WALKWAYS

PART	QTY.	DESCRIPTION
4702020		HNDRL\ASY\HD12\97
4701622		WLKWY\DECK\LHW\LOADER
4701623		WLKWY\DECK\RH\W\LOADER
4701624	2	WLKWY\DECK\W\O\HOOD;LOADR
4701625	1	BRKT\MTG\LDDR\DECK\6-1/2>
4701642	4	CPLR\RAIL\HAND
4701644	1	"RAIL\HAND\SIDE\56-7/8"
4701647	1	RAIL\HAND\LDDR\RH\DECK
4701882	1	LDDR\DECK\HD12
4701883	1	RAIL\HAND\CORNER\HD12
4701914	1	WLKWY\RTR\FRONT\ SN GI0081-II0108 AND II0110
4701915	1	WLKWY\RTR\REAR\ SN GI0081-II0108 AND II0110
4701916	1	LDDR\WLKWY\RTR\HD1297
4702663	1	WLKWY\RTR\REAR\ SN II109 AND SN II0111 AND UP
4702664	1	WLKWY\RTR\FRONT\ SN II109 AND SN II0111 AND UP
4800003	4	BOLT\HEX\3/8X1
4800082	3	BOLT\HEX\1/2X1-1/2
4800098	27	BOLT\HEX\3/8X1-1/4\NC
4800118	8	BOLT\HEX\5/16X2
4800145	2	BOLT\HEX\1/2X6
4900001	5	NUT\HEX\1/2\NC
4900002	31	NUT\HEX\3/8\NC
4900142	8	NUT\PLCK\5/16
5000001	42	WASH\FLAT\3/8
5000004	10	WASH\FLAT\1/2
5000006	5	WASH\LOCK\1/2 SN II109 AND SN II0111 AND UP
5000019	31	WASH\LOCK\3/8

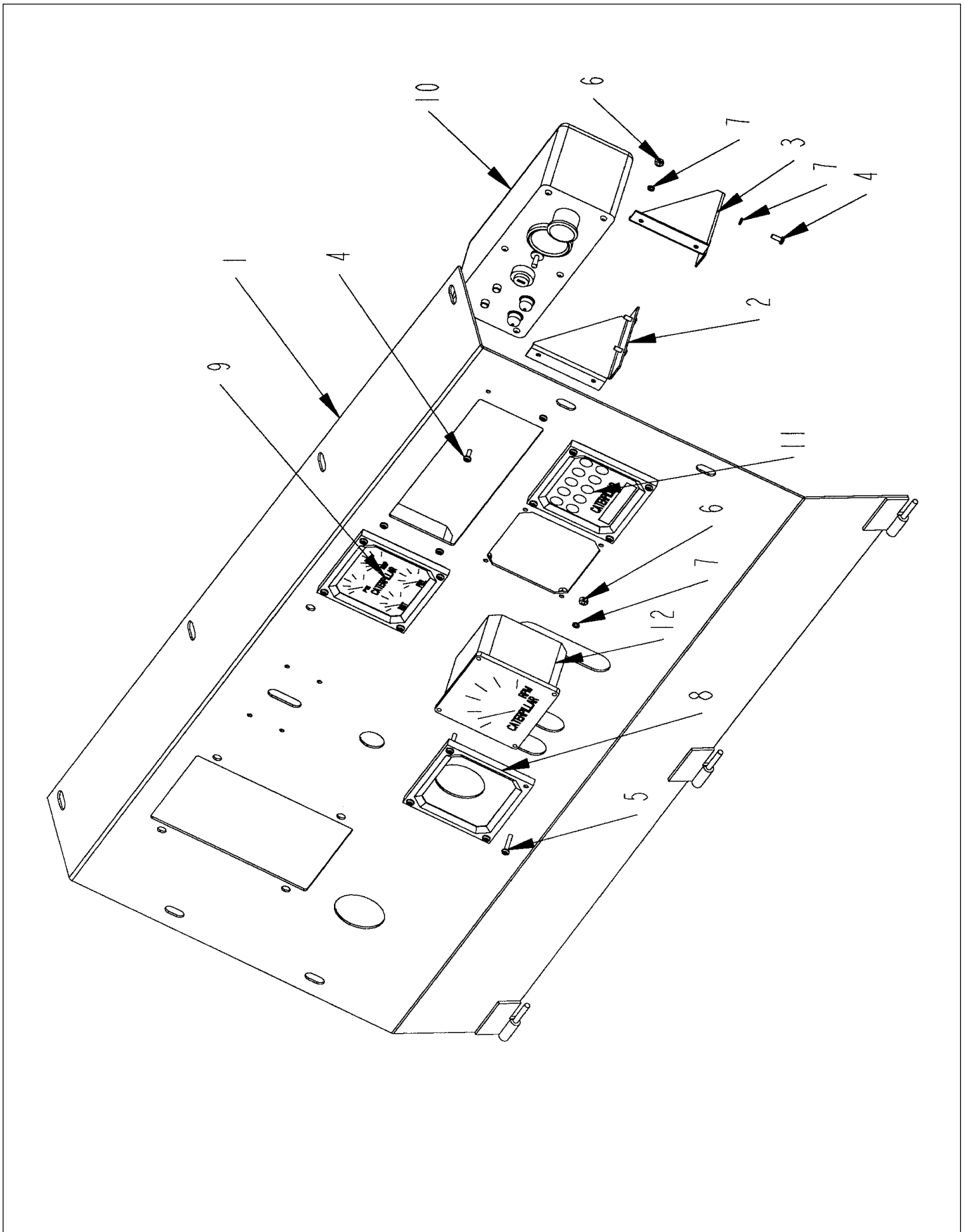
CONTROL PANEL COVER KIT



CONTROL PANEL COVER KIT

PART	QTY.	DESCRIPTION
4701993		SHAFT\CLUTCH\OP\1-1/4X28-1/4 W/318 CLUTCH
4702118		LVR\HNDL\CLUTCH\36 W/314 CLUTCH
4702221		COV\PANEL\CNTRL\KIT\HD12>
4702115	1	COV\PANEL\CNTRL\HD-12-IV
4702116	1	BRKT\SHOCK\GAS\CVR\PANEL\LH
4702117	1	BRKT\SHOCK\GAS\CVR\PANEL\RH
4702119	1	HINGE\COV\PANEL\CNTRL\LH
4702120	1	HINGE\COV\PANEL\CNTRL\RH
4800012	4	BOLT\CRG\3/8X1-1/4\NC
4800034	4	BOLT\HEX\3/8X1-1/2
4800098	2	BOLT\HEX\3/8X1-1/4\NC
4800277	1	BOLT\HEX\1/4X1
4800281	1	BOLT\HEX\5/16X2\NF
4800495	2	SCR\RD\SLOT\#10X3/4\NC
4900002	4	NUT\HEX\3/8\NC
4900030	2	NUT\NYLCK\3/8\NC
4900071	1	NUT\NYLCK\5/16\NF
4900072	2	NUT\HEX\#10\NC
4900084	1	NUT\TPLCK\1/4\NC
5000001	4	WASH\FLAT\3/8
5000019	8	WASH\LOCK\3/8
5000071	2	WASH\LOCK\EXT;STAR\#10
7500166	1	LATCH\RBBR\6
7500190	1	LATCH\RBBR\CATCH\6
7500347	1	LATCH\RBBR\MNT\6
7500664	4	SHOCK\BALL\FITTING
7500665	4	SHOCK\END\FITTING
7500666	4	SHOCK\SAFTY\CLIP
7500680	2	SPRNG\GAS\60LB\9416K173

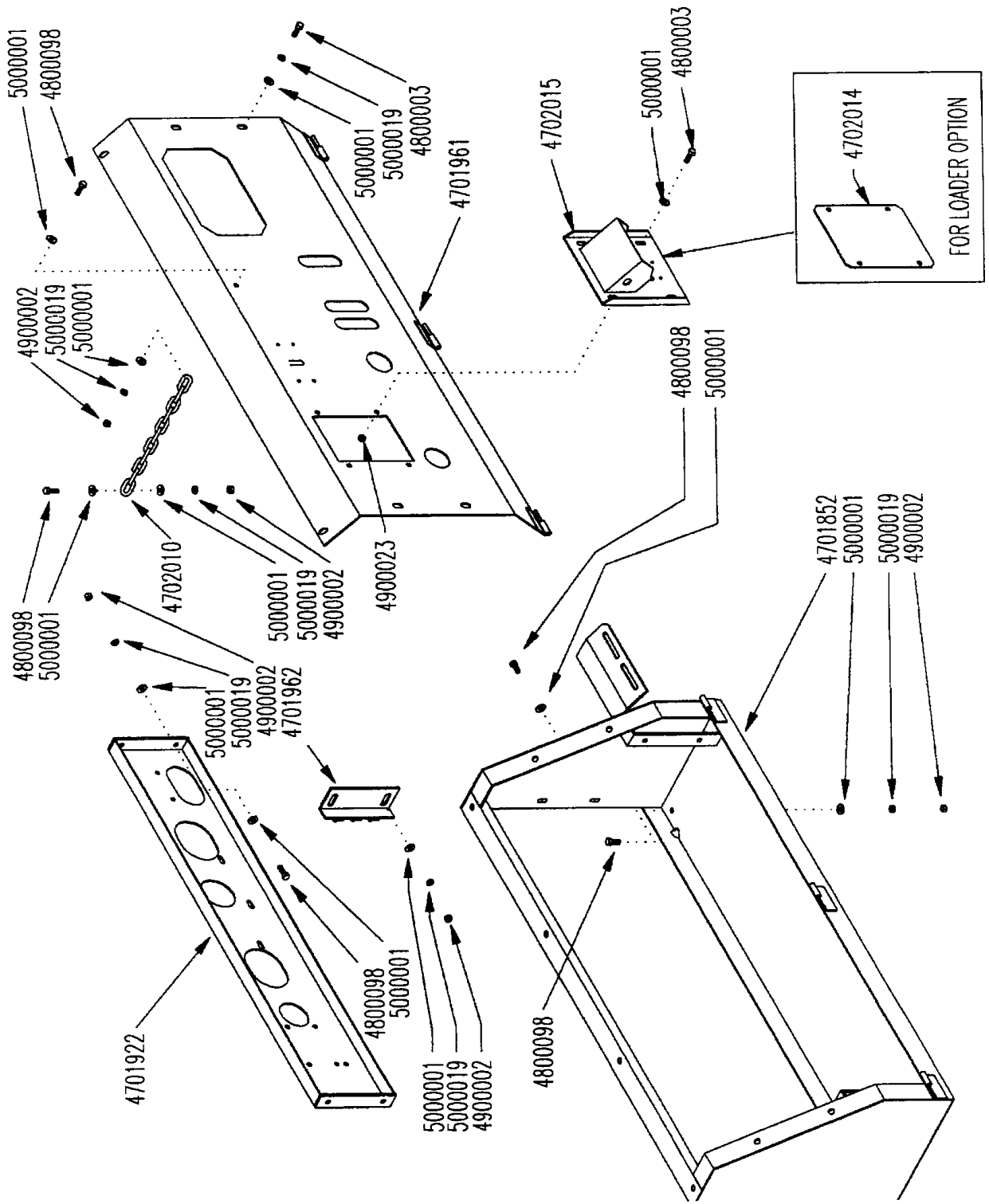
CAT ELECTRONIC ENGINE CONTROL PANEL



CAT ELECTRONIC ENGINE CONTROL PANEL

ITEM	PART	QTY.	DESCRIPTION
1	4702867	1	PANEL\CNTRL\HYD\HD12\3412E
2	4702868	1	BRKT\PANEL\CNTRL\MNT
3	4702869	1	BRKT\PANEL\CNTRL\MNT
4	4800574	8	SCR\RD\SLOT\#10-24X1/2
5	4800587	12	SCR\RD\SLOT\#10-24X1
6	4900072	16	NUT\HEX\#10\NC
7	5000104	20	WASH\LOCK\#10
8	CAT_GAUGE_5700611	3	BEZEL\CAT\GAUGE\ELEC. - INCLUDED WITH GAUGES
9	CAT_GAUGE_5700613	1	CAT\GAUGE\ELEC\QUAD
10	CAT_GAUGE_5700889	1	STARTER\BLOCK\3412E\CAT
11	CAT_GAUGE_5700888	1	CAT\GAUGE\ELEC\132-8044
12	CAT_GAUGE_5700612	1	CAT\GAUGE\ELEC\TACH
NOT SHOWN			
	5700497		SWITCH\IGN\CAT\SPADE-TERM
	5700831		SWITCH\TOG\SPDT\ MOM\ (ON)-OFF

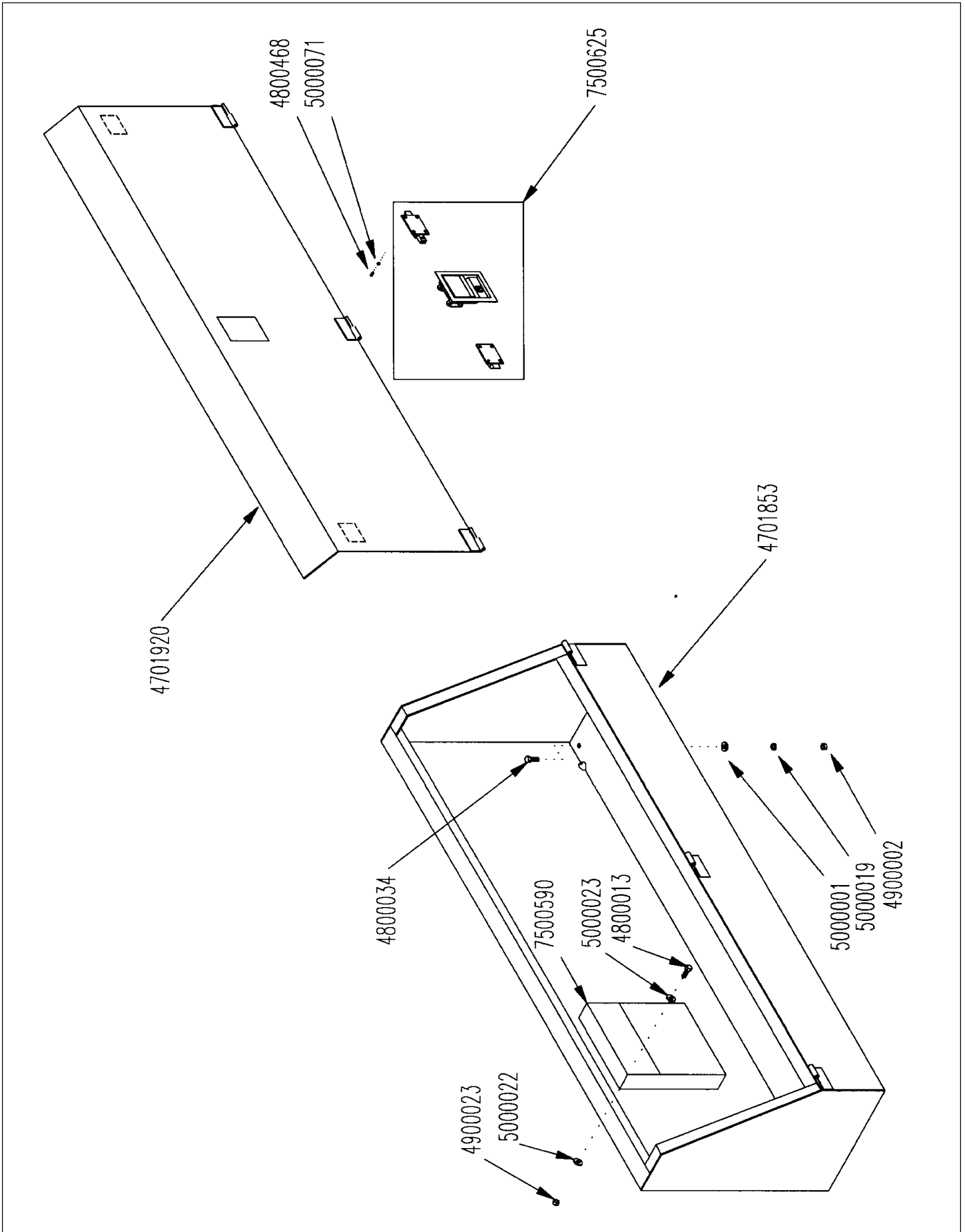
CONTROL PANEL MECHANICAL ENGINE



CONTROL PANEL MECHANICAL ENGINE

PART	QTY.	DESCRIPTION
4701980		PANEL\CNTRL\ASSY\HD12\97
4701852	1	ENCL\PANEL\CNTRL\HYD\>
4701922	1	MNT\VPANEL\CNTRL\HD1297
4701961	1	PANEL\CNTRL\HYD\HD12\97
4701962	1	BRKT\SUP\TUBE\HYD
4702010	1	CHAIN\STOP\PNL\CNTRL
4702014	OPTION	CVR\PNL\CNTRL\BLANK
4702015	1	MNT\GOV\PNL\CNTRL
4800003	5	BOLT\HEX\3/8X1
4800098	10	BOLT\HEX\3/8X1-1/4\NC
4900002	11	NUT\HEX\3/8\NC
4900023	4	NUT\TPLCK\3/8\NC
5000001	26	WASH\FLAT\3/8
5000019	14	WASH\LOCK\3/8

TOOL BOX



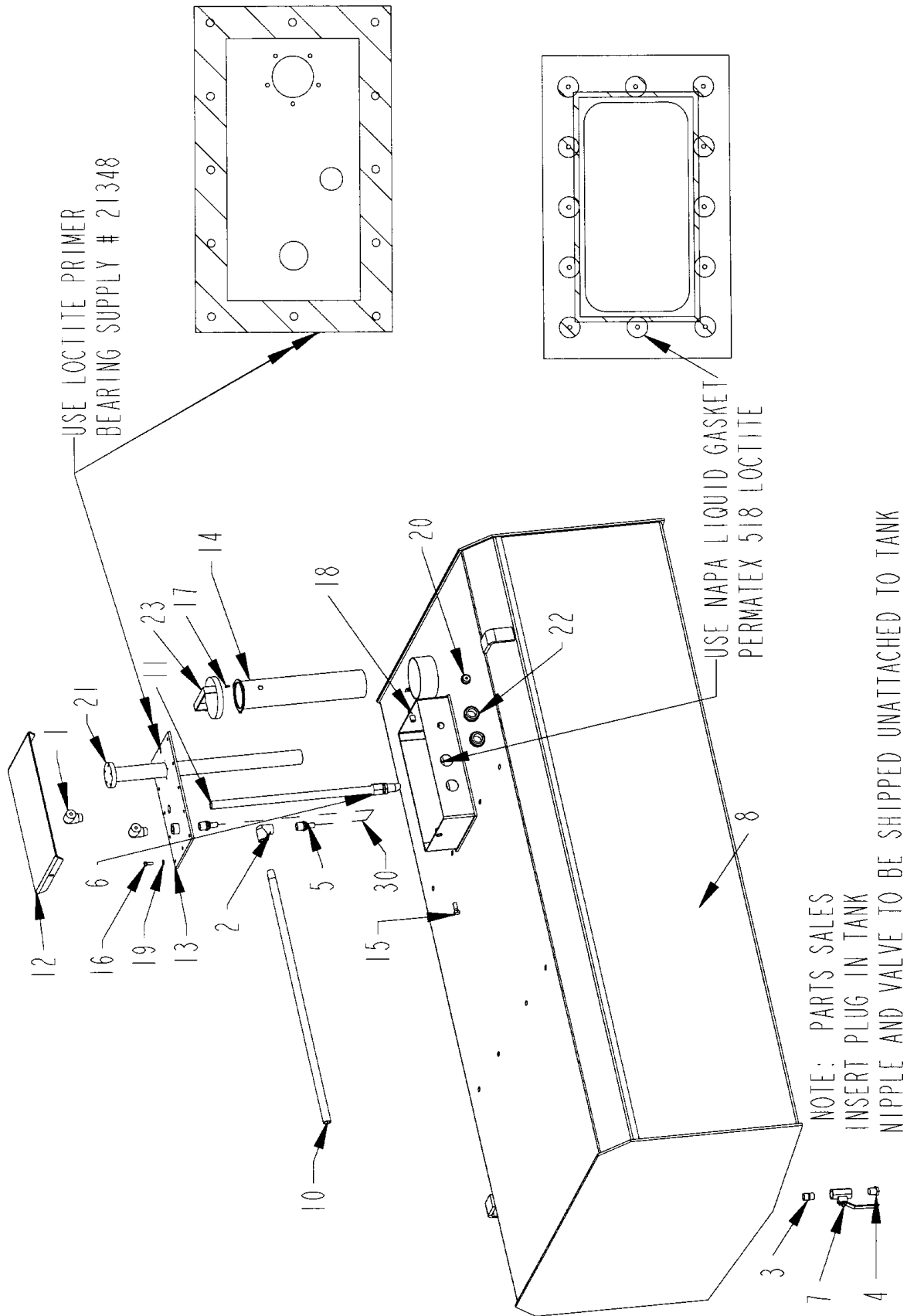
TOOL BOX

PART	QTY.	DESCRIPTION
4701979		TLBX\ASSY\SUB\HD12\97
4701853	1	ENCL\TLBOX\HD12
4701920	1	COV\TLBOX\HD12
4800013	2	BOLT\HEX\5/16X1
4800034	4	BOLT\HEX\3/8X1-1/2
4800468	8	SCR\RD\SLT\#10X1/2\NC
4900002	4	NUT\HEX\3/8\NC
4900023	2	NUT\PLCK\3/8\NC
5000001	4	WASH\FLAT\3/8
5000019	4	WASH\LOCK\3/8
5000022	2	WASH\LOCK\5/16
5000023	2	WASH\FLAT\5/16
5000071	8	WASH\LOCK\EXT;STAR#1
7500590	1	ENCL\OPS\8-1/2X11X1-5
7500625	1	LATCH\PDDL\3-4974\KEY

BATTERY BOX

PART	QTY.	DESCRIPTION
4701981		BOX\BATT\ASSY\SUB\HD1
4701633	1	STRAP\ANGLE\BATT\8-1/
4701634	1	"COV\BOX\BATT\54""
4701638	1	STRAP\ANGLE\BATT\43-3
4701639	5	STRAP\HOOK\BOX\BATT
4701688	1	"CBL\BATT\2\OX22""\BLK"
4701825	1	"CBL\BATT\2\OX144""\RED"
4701826	1	"CBL\BATT\2\OX144""\BLK"
4701894	1	"BOX\BATT\54""\HD12\SER"
4800003	4	BOLT\HEX\3/8X1
4800018	4	BOLT\HEX\1/2X1-1/4
4900001	4	NUT\HEX\1/2\NC
4900002	4	NUT\HEX\3/8\NC
4900023	5	NUT\PLCK\3/8\NC
5000001	8	WASH\FLAT\3/8
5000006	4	WASH\LOCK\1/2
5000019	4	WASH\LOCK\3/8
5700002	2	BATT\12VDC\8D1150
5700271	1	RELAY\CONT:DUTY\24V\S SN GI0080 - GI0085 See Page 103 for GI0086 & up
5700274	1	BRKR\CIRCUIT\50AMP
5700275	1	TERMBATT\UNIV\MARINE
5700279	1	BATT\12VDC\5024

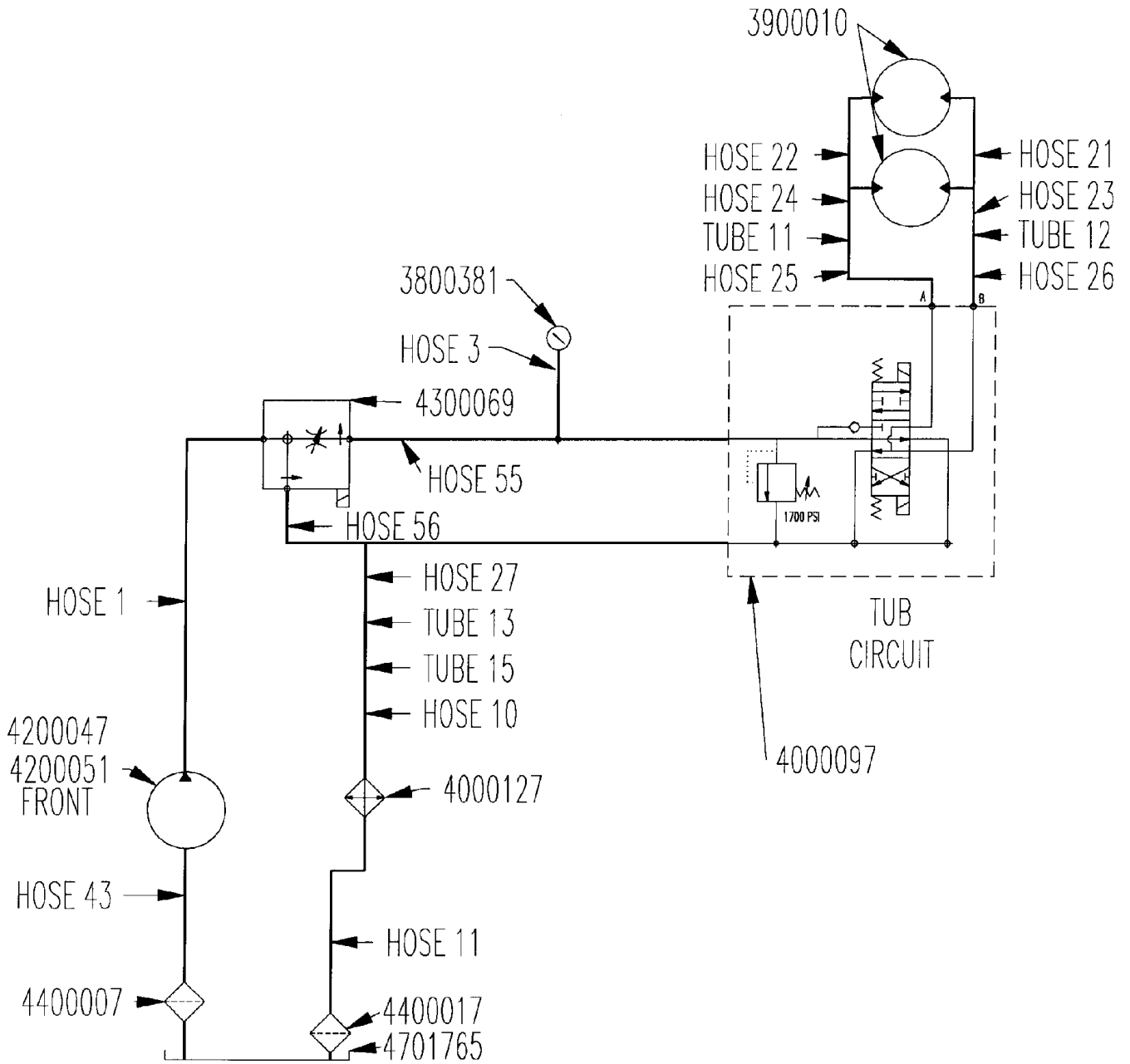
TOP FED FUEL TANK



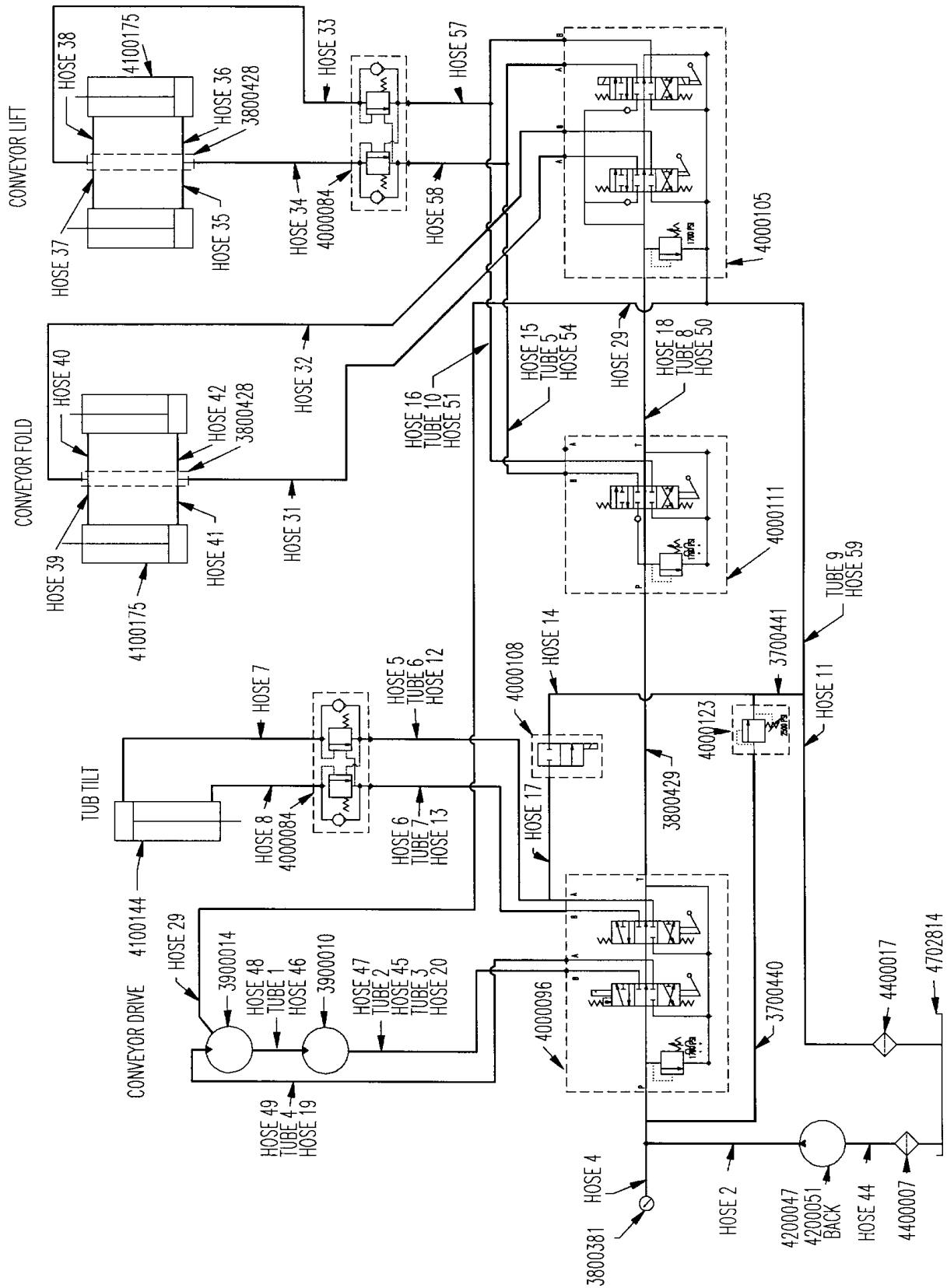
TOP FED FUEL TANK

ITEM	PART	QTY.	DESCRIPTION
	4703102	1	ASSY TANK\FUEL\HD12\TOP FEED
1	3800008	2	FTG\1/2MPX1/2FP\90\ST;EL
2	3800165	1	FTG\1/2FPX1/2FP\90
3	3800618	1	FTG\AIR\1/2X1-1/2\NPPL\BRSW\HEX
4	3800619	1	FTG\AIR\1/2MP\PLUG\BRS\HEX
5	3800691	2	FTG\AIR\1/2MPX1/2PSHLCK\BRASS
6	3800706	1	FTG\7/8MJICX1/2FP\BULKHEAD
7	4000193	1	VALVE\BALL\1/2\LW\BRS
8	4703055	1	TANK\FUEL\72-1/2X44-1/2X24-1/2
10	4703103	1	PIPE\RETURN\TANK\FUEL\HD12
11	4703104	1	TUBE\SUCTION\TANK\FUEL\HD12
12	4703105	1	CVR\GAUGE\TANK\FUEL\HD12
13	4703107	1	CVR\TANK\FUEL\HD12
14	4703108	1	TUBE\FILL\INNER\FUEL
15	4800003	2	BOLT\HEX\3/8X1
16	4800024	12	BOLT\HEX\1/4X3/4
17	4800620	3	SCR\CAP\ALN\6-32X3/8\BLK
18	4900082	2	NUT\INSERT\3/8\027X.150GR
19	5000024	12	WASH\LOCK\1/4
20	7500124	1	GRMT\RBBR\1X9/32IDX3/16T
21	7500682	1	GAUGE\FUEL\SENDING\HD12
22	7500743	2	GRMT\RBBR\1-3/8X1IDX1/4T
23	7500811	1	CAP\FUEL\5343-15\600SERS\WLOWPRESS;RELIEF
30	3700523	1-1/2 FT	HOSE\PUSHLOCK\1/2\FT
Not Shown			
15A	5000001	2	WASH\FLAT\3/8
15B	5000019	2	WASH\LOCK\3/8
21A	4800498	5	SCR\PAN\PHL\#10-32X3/4\NF

HYDRAULIC SCHEMATIC - TUB CIRCUIT



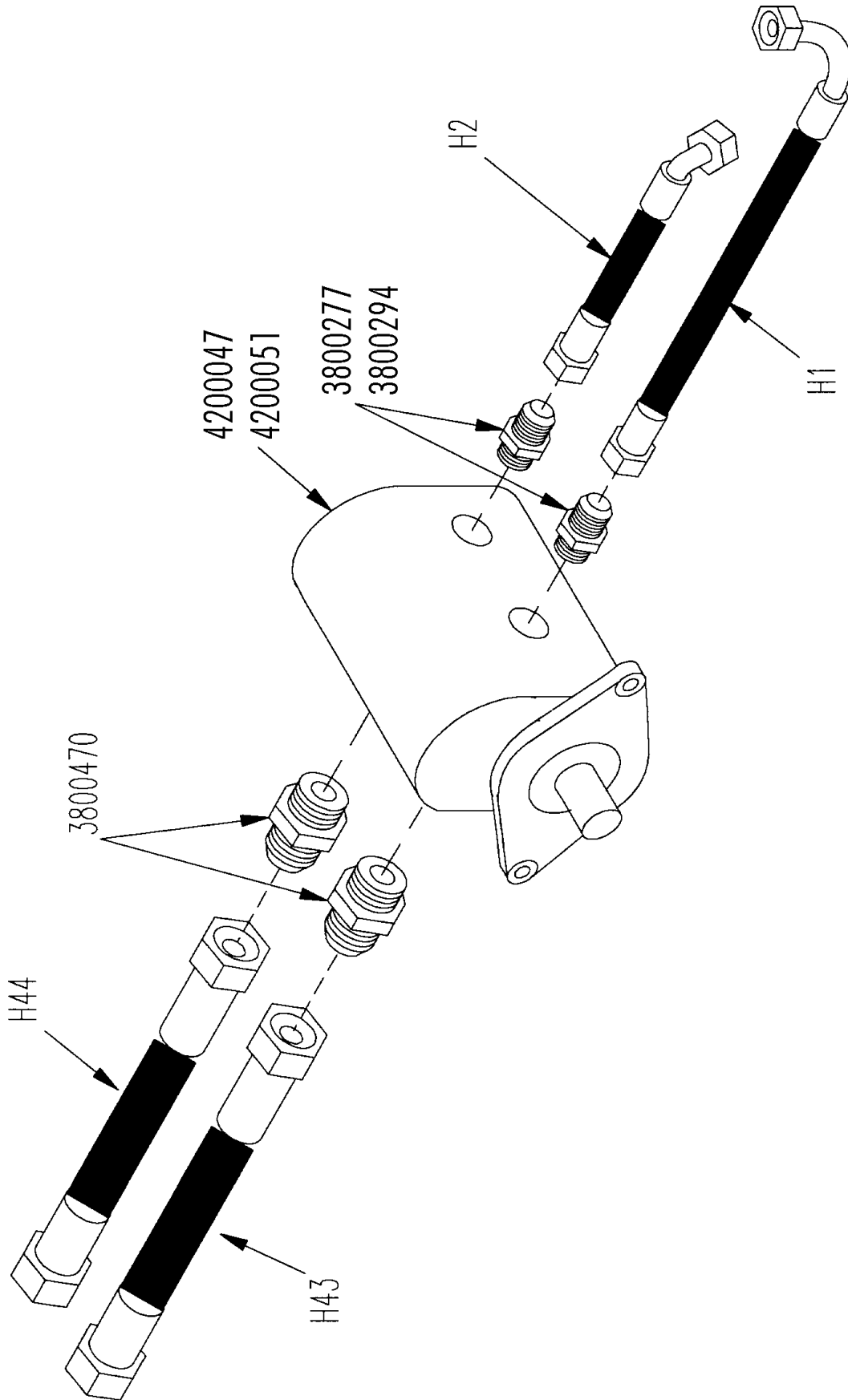
HYD. SCHEMATIC - CONVEYOR CIRCUIT - WITH RADIO



HYDRAULIC TANK HOSES AND FITTINGS

PART	QTY.	DESCRIPTION
3800290	0/2	FTG\1-1/4MPX1-1/4FP\90D\ST;EL
3800307	0/2	FTG\1-1/4MPX1FPS\ADPT
3800312	0/1	FTG\2-1/2BARBX2MP\ADPT\LW
3800374	0/1	FTG\2MPX2FP\90D\ST;EL\LW
3800441	1	FTG\3/4MP\PLUG\HEX
3800444	1/0	FTG\3MP\PLUG
3800445	2/0	FTG\1-1/4MP\PLUG
3800446	2/4	FTG\1-1/4MPX2-1/2\NPL\HEX
3800449	0/1	FTG\2MPX2-7/8\NPL
3800452	1	FTG\3/4MP\VENT\SNTRD\>
3800458	2	FTG\1-1/4MP\90D\ELL
3800468	2	FTG\1-5/8MJICX1-1/4MP\90D
3800469	2	VALVE\BALL\1-1/4FP\>
3800471	2	FTG\1-5/8MJICX1-1/4MP\>
3800482	0/1	VALVE\BALL\2FP\1/4TURN\>
4400007	2	FLTR\SCRN\2MPX1-1/4FP\25>
4400016		FLTR\ELMNT\10MICRON\5.1D\>
4400017	2/4	FLTR\COMP\10MICRON\5.1D\>
4400025	0/1	FLTR\SCRN\3MPX2FP\50GPM\>
4701765	1	TANK\HYD\72X24-1/2X20-1/2\HD12\97
4701388	1	COV\TANK\7X1/4\HYD
4800277	6	BOLT\HEX\1/4X1
5000024	6	WASH\LOCK\1/4
7500615	1	GAUGE\HYD\10\W/THERM
7500620	1	CAP\OIL\4777\300 SERIES

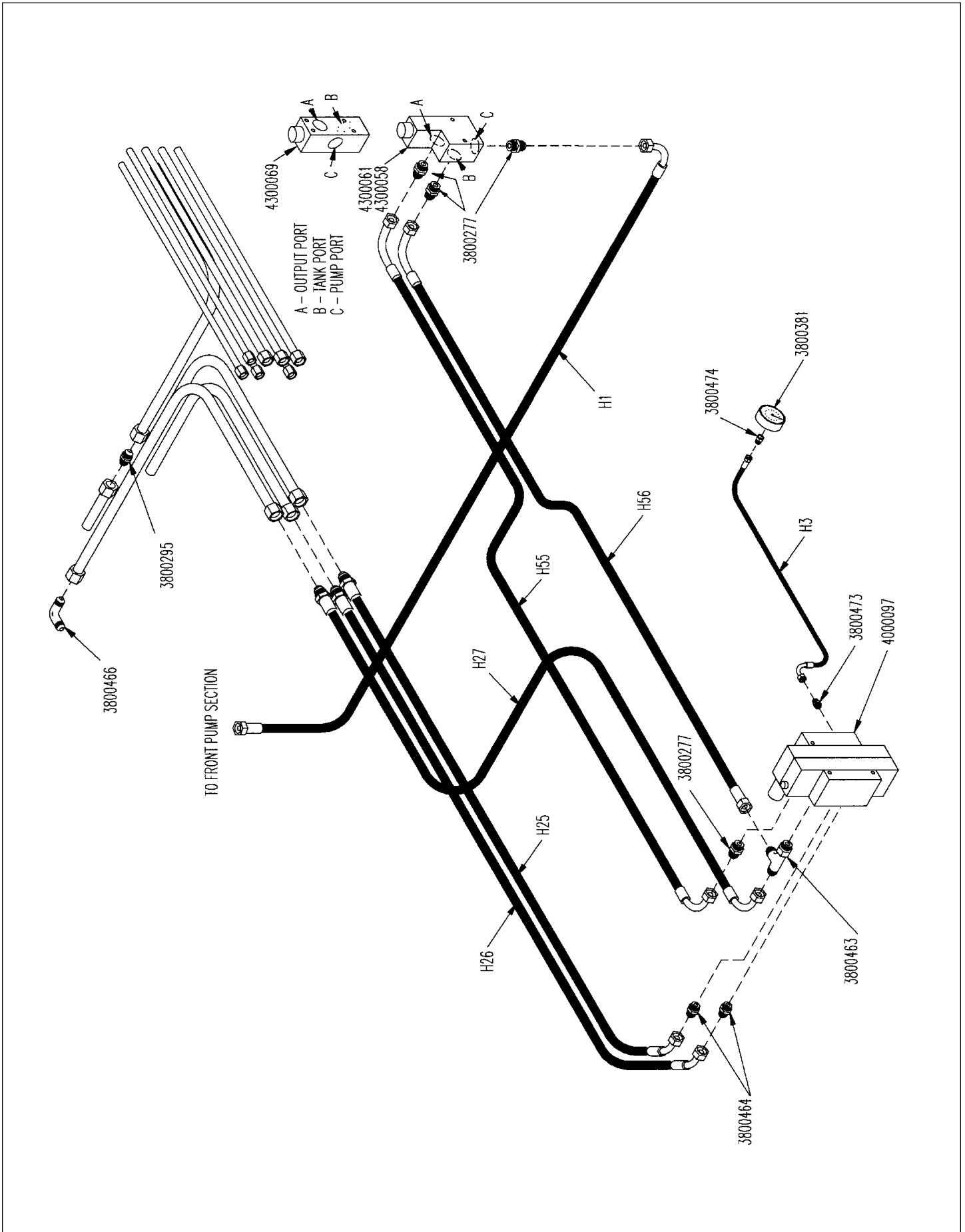
HYDRAULIC PUMP HOSES AND FITTINGS



HYDRAULIC PUMP HOSES AND FITTINGS

<u>PART</u>	<u>QTY.</u>	<u>DESCRIPTION</u>
		HYDPUMP
3800277	2	FTG\1-1/16MORX1-1/16MJIC\ADPT FOR SN HI0091 AND UP
3800294	2	FTG\1-5/16MJICX1-1/16MOR\ADPT FOR SN GI0081-HI0090
3800470	2	FTG\1-5/8MORX1-5/8MJIC\>
4200047	1	PUMP\HYD\25/20\2.85/2.33\LH FOR CAT 3408 AND 3412 ENGINE
4200051		PUMP\HYD\25/20\2.85/2.33\RH FOR CAT 3406 ENGINE

HYDRAULIC TUB CONTROLS



HYDRAULIC TUB CONTROLS

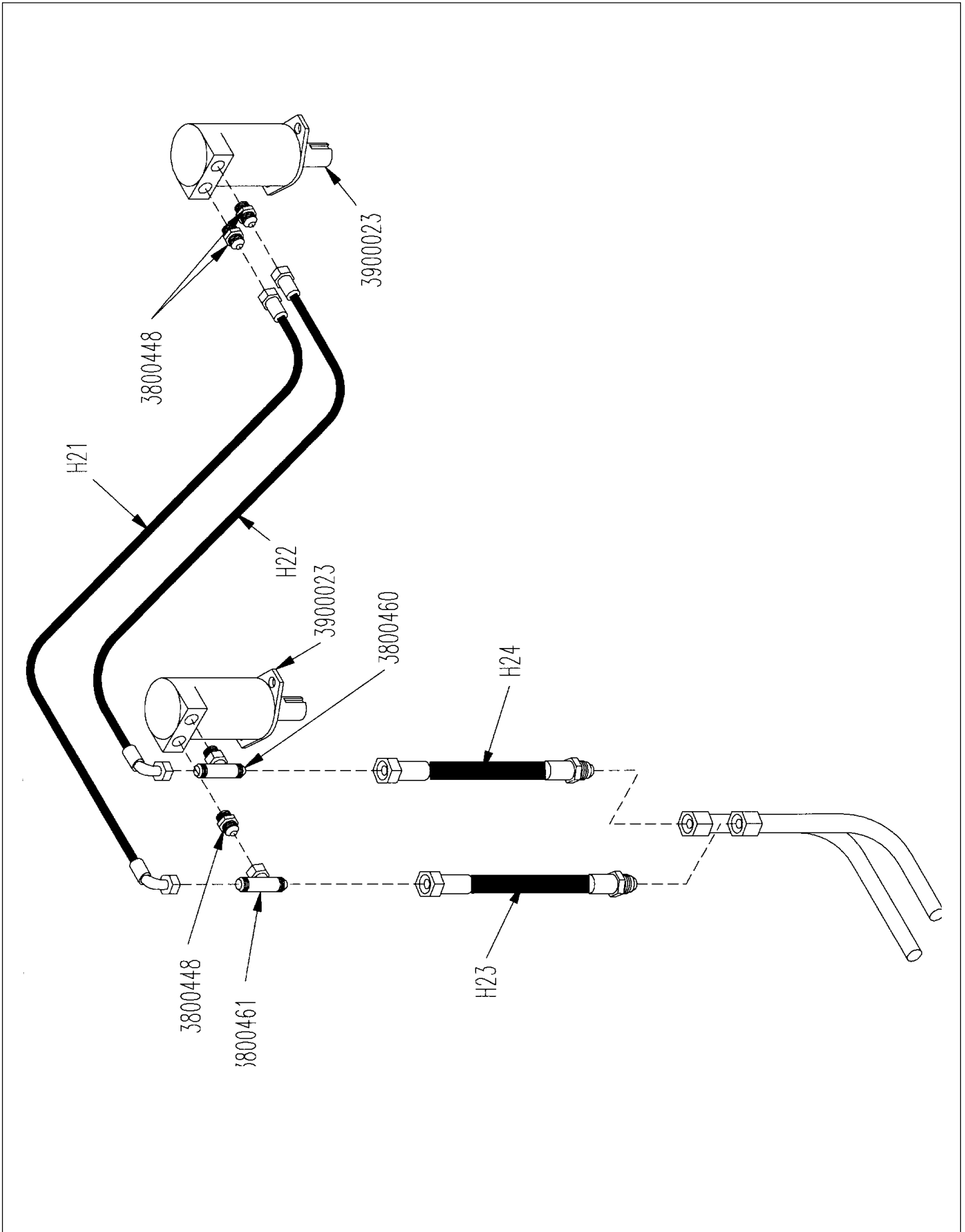
PART	QTY.	DESCRIPTION
		HYDTBVLV
3800277	4	FTG\1-1/16MORX1-1/16MJIC\ADPT
3800295	1	FTG\1-5/16MJIC\UNION
3800381	1	GAUGE\3000PSI\REAR STEM
3800463	1	FTG\1-1/16MORX1-1/16MJIC>
3800464	2	FTG\1-1/16MJICX7/8MOR\>
3800466	1	FTG\1-5/16MJIC\90D\ELL
3800473	1	FTG\7/16MJICX1/4MP\ADPT
3800474	1	FTG\7/16MJICX1/4FP\ADPT
4000097	1	VALVE\HYD\20GPM\1SPL\24V>
4300058		VALVE\ELEC\HYD\25GPM\12v
4300061		VALVE\ELEC\HYD\25GPM\24Vcv93, replace with 4300069
4300069	1	VALVE\ELEC\HYD\25GPM\24v\CV98

Not Shown

4000131	VALVE\HYD\SOLENOID 24V\REPLACEMENT SOLENOID FOR VALVE #4000097
4000199	VALVE\HYD\CARTRIDGE 24V\REPLACEMENT CARTRIDGE FOR VALVE #4000097
4000203	VALVE\HYD\CARTRIDGE\PILOT FOR #4000097
4300010	VALVE\SOLENOID\12V REPLACEMENT SOLENOID FOR #4300058
4300054	VALVE\SOLENOID\24V REPLACEMENT SOLENOID FOR #4300061 AND #4300069

See also "Hydraulic and Electric Solenoid Parts", page xxx

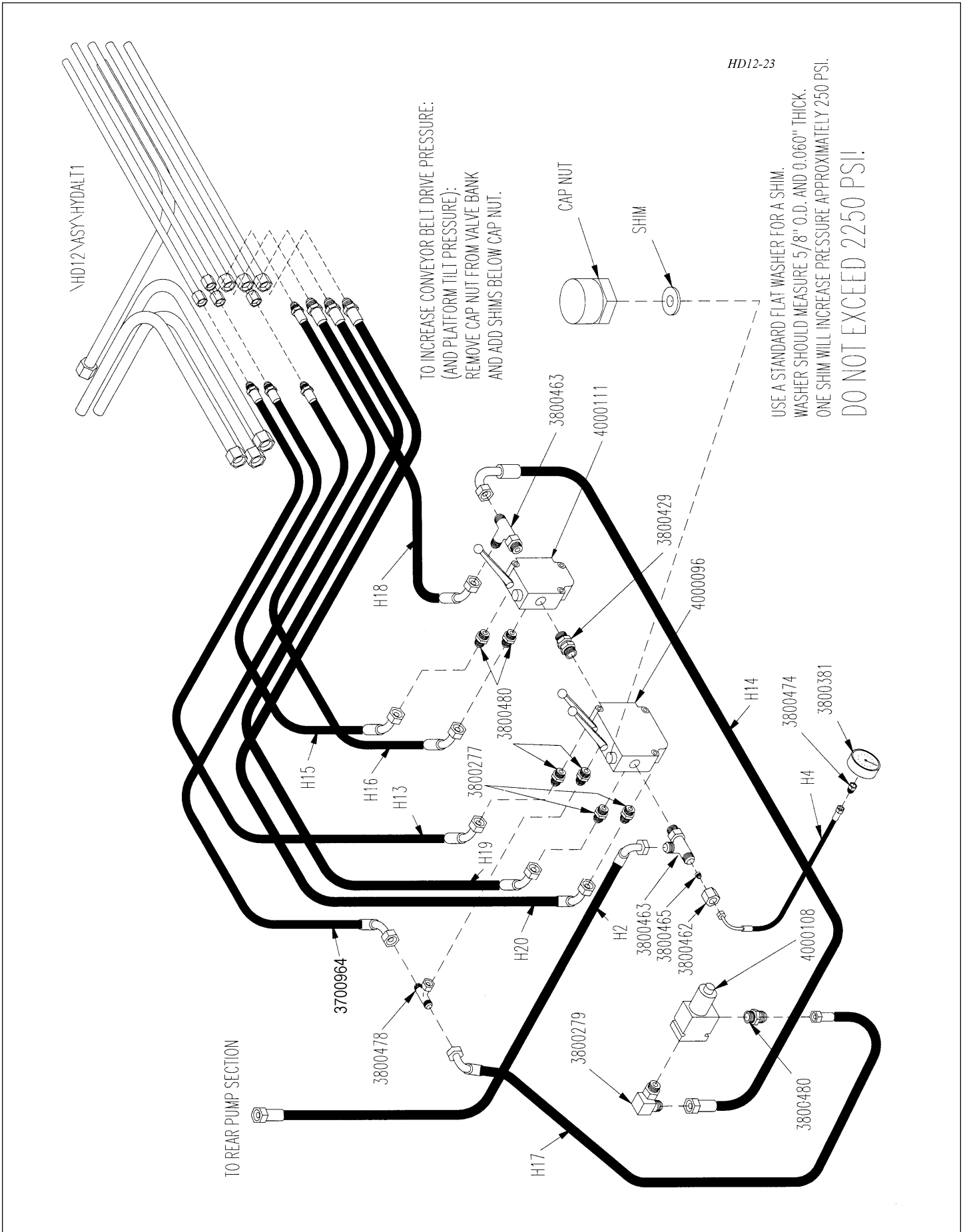
TUB MOTOR HOSES AND FITTINGS



TUB MOTOR HOSES AND FITTINGS

<u>PART</u>	<u>QTY.</u>	<u>DESCRIPTION</u>
3800448	3	HYDTBFTG FTG\7/8MJICX7/8MOR\ADPT
3800460	1	FTG\7/8MJICX7/8MJICX
3800461	1	FTG\7/8MJICX7/8MJICX>
3900023	2	MTR\HYD\18.7\2000\SAE;A;>
7501005		KIT\2000\ORBIT

CONTROL PANEL CONVEYOR CONTROL



HD12-23

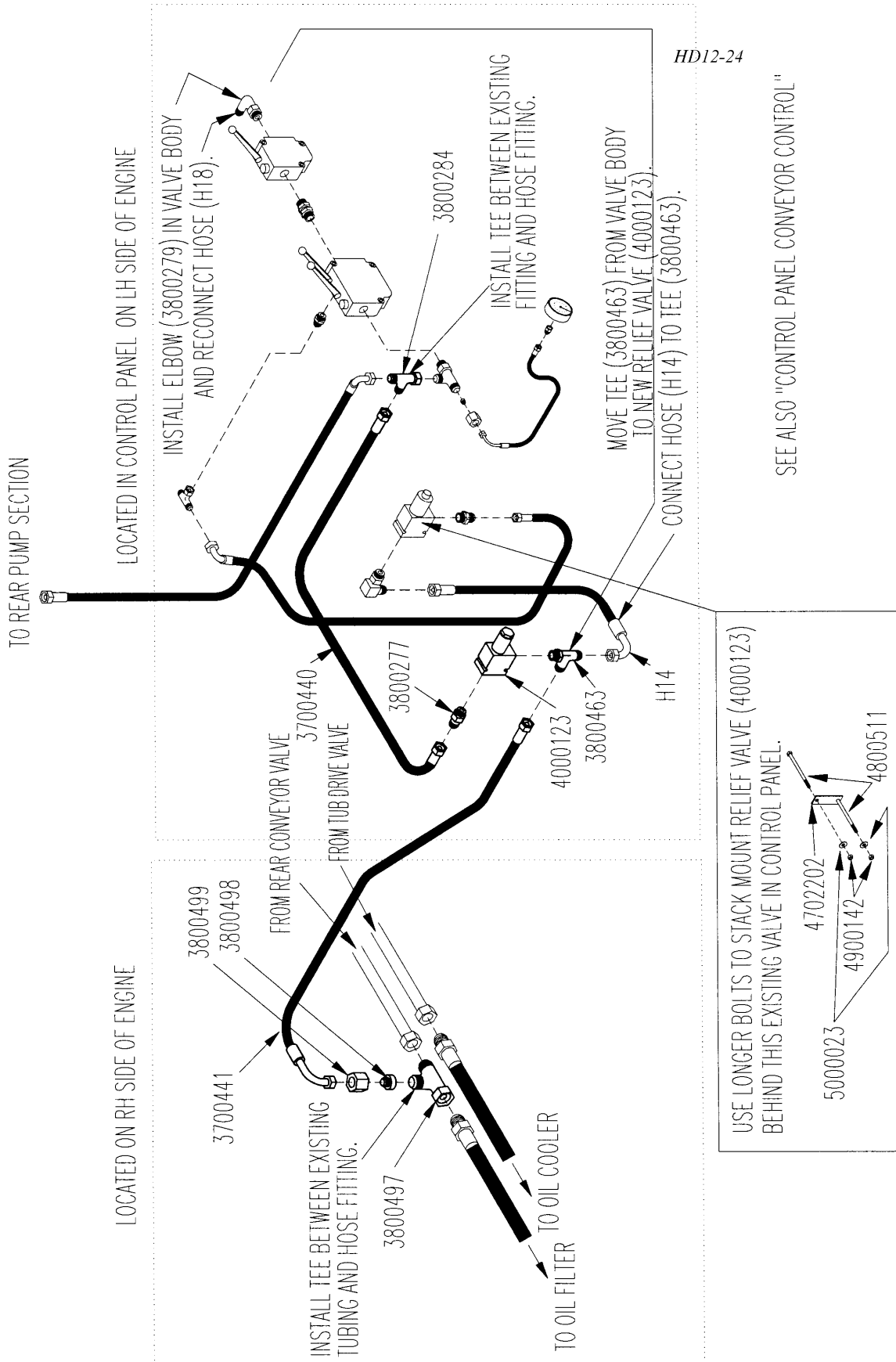
TO INCREASE CONVEYOR BELT DRIVE PRESSURE:
(AND PLATFORM TILT PRESSURE):
REMOVE CAP NUT FROM VALVE BANK
AND ADD SHIMS BELOW CAP NUT.

USE A STANDARD FLAT WASHER FOR A SHIM.
WASHER SHOULD MEASURE 5/8" O.D. AND 0.060" THICK.
ONE SHIM WILL INCREASE PRESSURE APPROXIMATELY 250 PSI.
DO NOT EXCEED 2250 PSI!!

CONTROL PANEL CONVEYOR CONTROL

PART	QTY.	DESCRIPTION
		HYDALT1
3700964		HOSE\HYD\1/2X24\7/8MJICX3/4FJIC
3800277	2	FTG\1-1/16MORX1-1/16MJIC\ADPT
3800279	1	FTG\1-1/16MORX1-1/16MJIC\90D\M;ELL
3800381	1	GAUGE\3000PSI\REAR STEM
3800429	1	FTG\1-1/16MOR\CONN
3800462	1	FTG\NUT\1-1/16FJICS
3800463	2	FTG\1-1/16MORX1-1/16MJIC>
3800465	1	FTG\1-1/16FJICX7/16MJIC\>
3800474	1	FTG\7/16MJICX1/4FP\ADPT
3800478	1	FTG\3/4MJICX3/4MJICX\>
3800480	5	FTG\1-1/16MORX3/4MJIC\>
4000096	1	VALVE\HYD\W\DETENT\>
4000108	1	VALVE\ELEC\30GPM\24V\2POS
4000111	1	VALVE\HYD\1SP\SPRG;CENT\>
4000130		VALVE\HYD\SOLENOID\24V REPLACMENT SOLENOID FOR 4000108

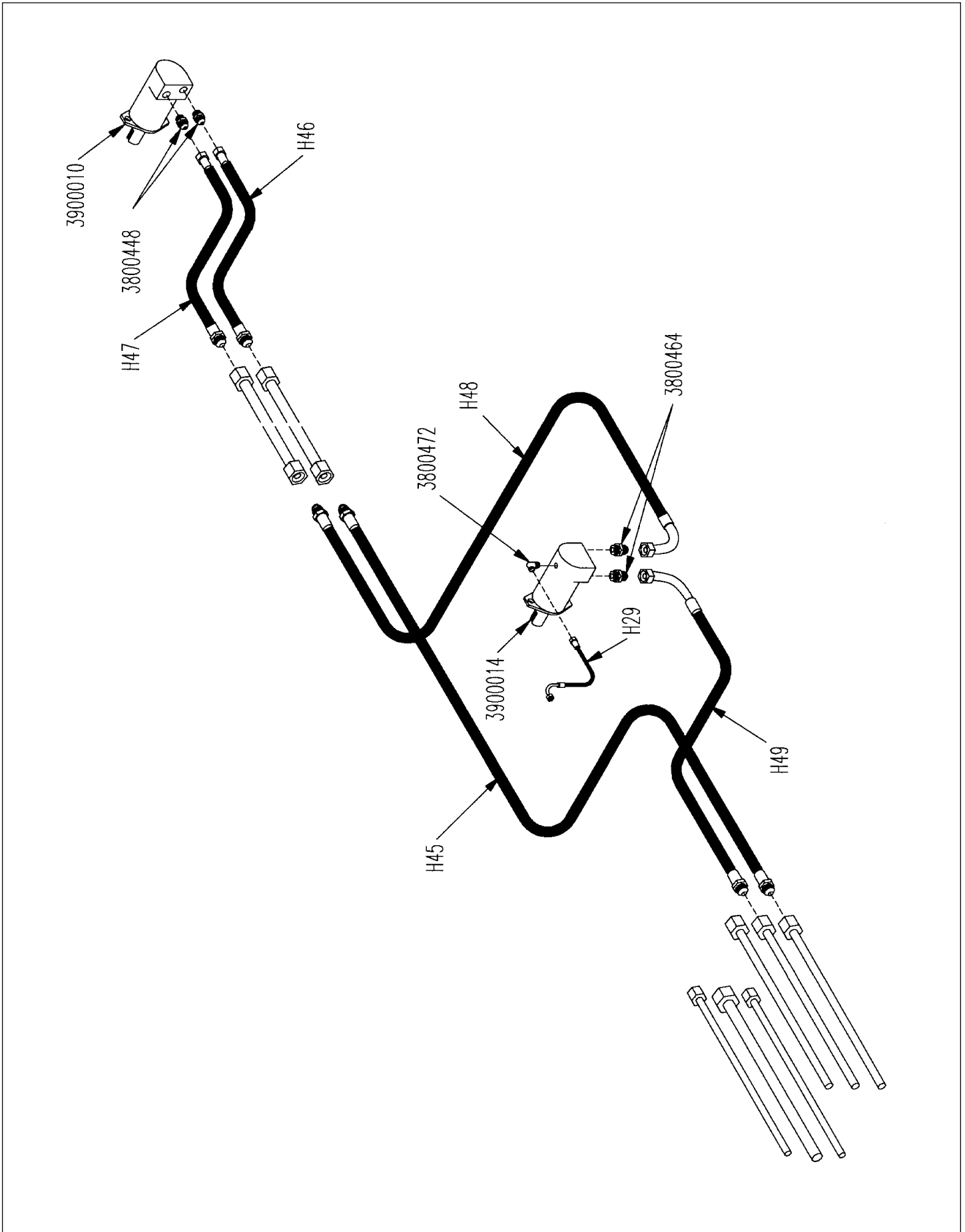
CONTROL PANEL WITH REMOTE RADIO



CONTROL PANEL WITH REMOTE RADIO

<u>PART</u>	<u>QTY.</u>	<u>DESCRIPTION</u>
		3800489
3700440	1	HOSE\HYD\3/4X32\1-1/16FJICS
3700441	1	HOSE\HYD\3/4X115\1-1/16FJICS\1-1/16FJICSX90D
3800277	1	FTG\1-1/16MORX1-1/16MJIC\ADPT
3800279	1	FTG\1-1/16MORX1-1/16MJIC\90D\M;ELL
3800284	1	FTG\1-1/16MJICX1-1/16FJICSX1-1/16MJIC\RUN;TEE
3800497	1	FTG\1-5/16MJICX1-5/16FJICSX1-5/16MJIC\RUN;TEE
3800498	1	FTG\1-5/16FJICX1-1/16MJIC\ADPT
3800499	1	FTG\NUT\1-5/16FJICS
4000123	1	VALVE\HYD\RELIEF\2500PSI\1-1/16FOR
4702202	1	STRAP\RET\VALVE
4800511	2	BOLT\HEX\5/16X5
4900142	2	NUT\PLCK\5/16
5000023	2	WASH\FLAT\5/16

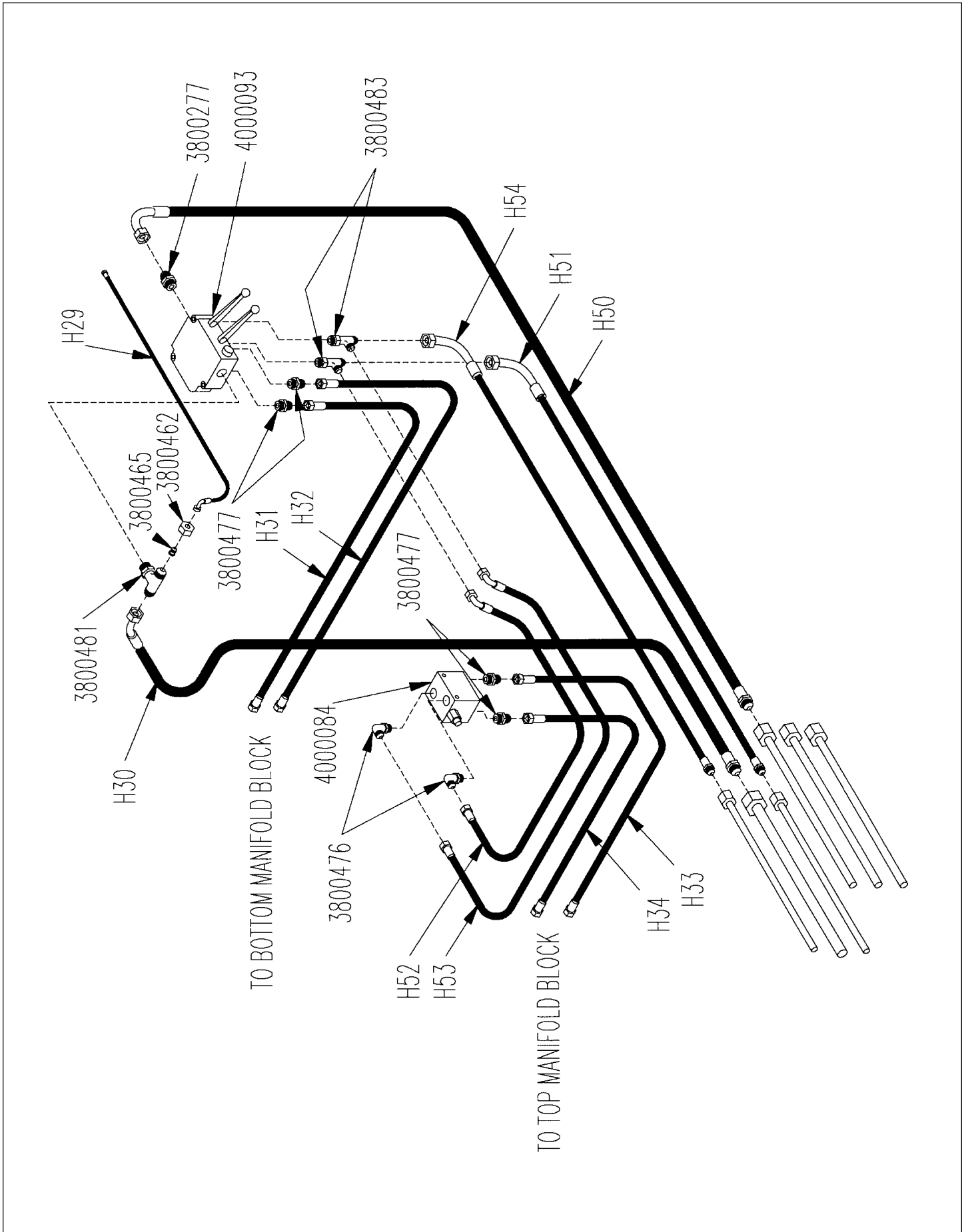
CONVEYOR MOTOR HOSES AND FITTINGS



CONVEYOR MOTOR HOSES AND FITTINGS

<u>PART</u>	<u>QTY.</u>	<u>DESCRIPTION</u>
		HYDMTRFT
3800448	2	FTG\7/8MJICX7/8MOR\ADPT
3800464	2	FTG\1-1/16MJICX7/8MOR\>
3800472	1	FTG\7/16MORX7/16MJIC\90D>
3900010	1	MTR\HYD\24\2000\SAE;A;>
3900014	1	MTR\HYD\9.6\2000\1-1/4SH
7501005		KIT\2000\ORBIT

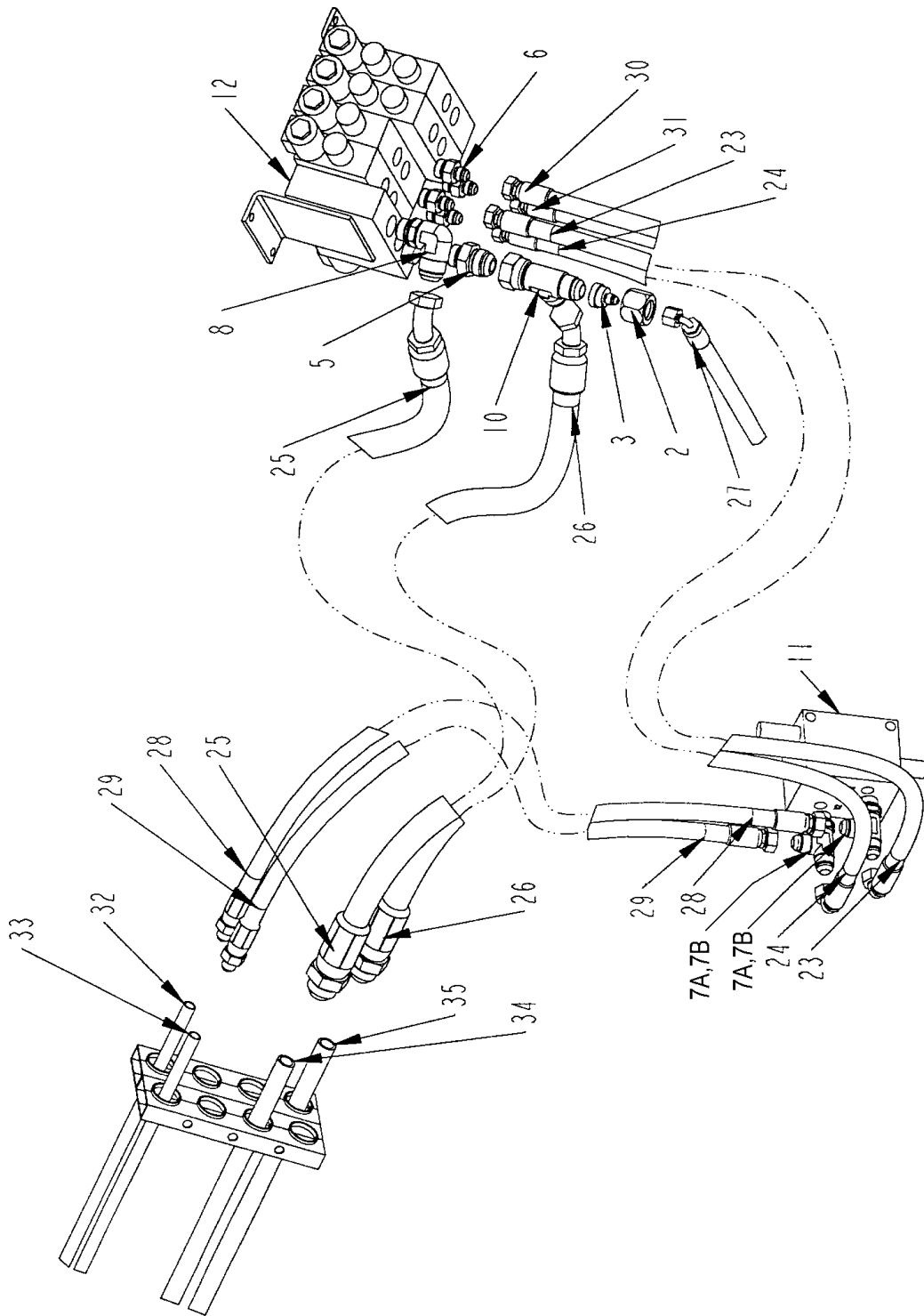
STANDARD REAR VALVES



STANDARD REAR VALVES

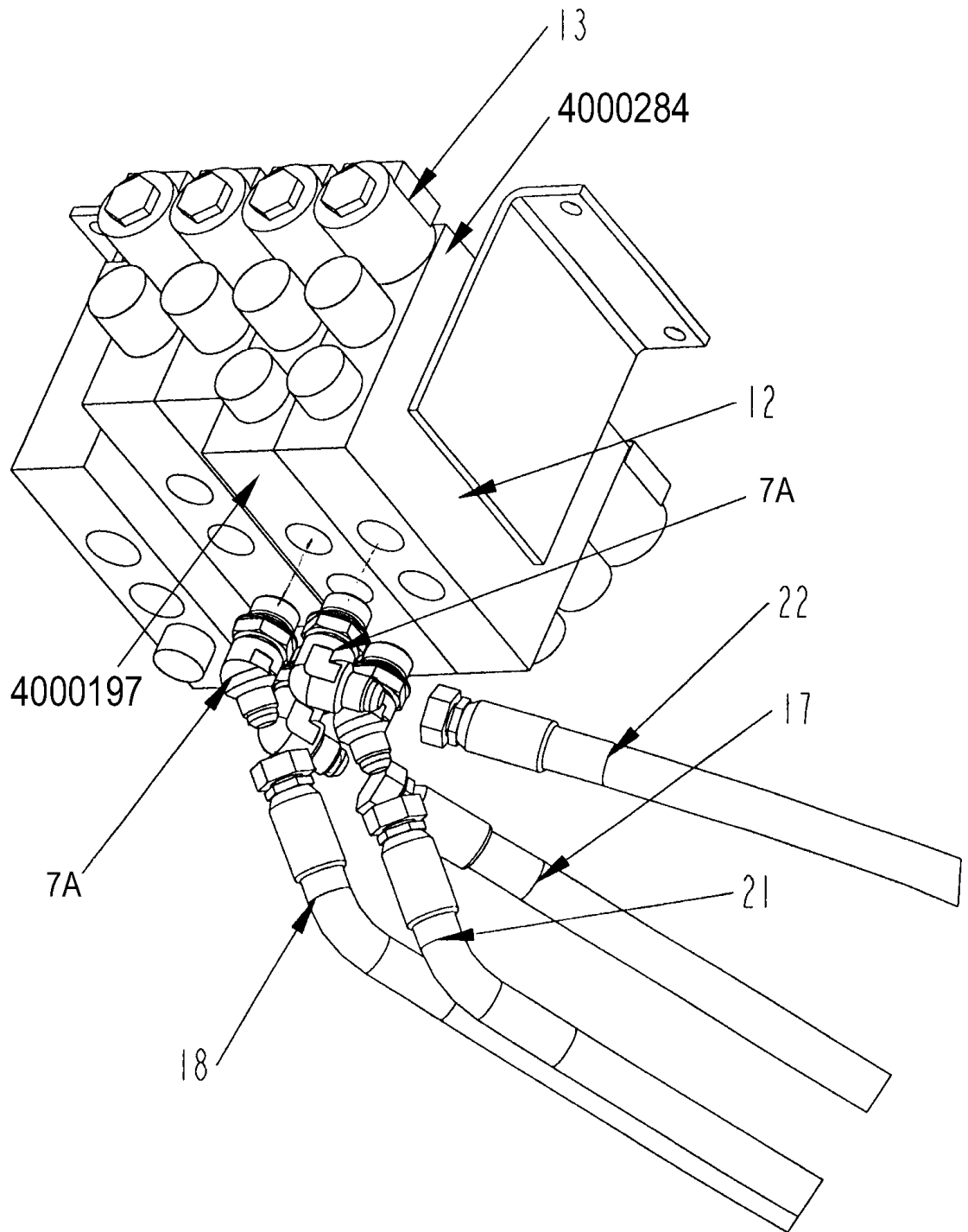
<u>PART</u>	<u>QTY.</u>	<u>DESCRIPTION</u>
		HYDREARS STANDARD PACKAGE
3800277	1	FTG\1-1/16MORX1-1/16MJIC\ADPT
3800462	1	FTG\NUT\1-1/16FJICS
3800465	1	FTG\1-1/16FJICX7/16MJIC\>
3800476	2	FTG\3/4MORX3/4MJIC\90D\>
3800477	4	FTG\3/4MORX3/4MJIC\ADPT
3800481	1	FTG\1-1/16MJICX1-1/16MJIC
3800483	2	FTG\3/4MORX3/4MJICX>
4000084	1	VALVE\HYD\30GPM\HOLD\DBL>
4000093	1	VALVE\HYD\2-SPL\3POS-4W>

TUB COVER - REAR VALVE - SUPPLY LINES



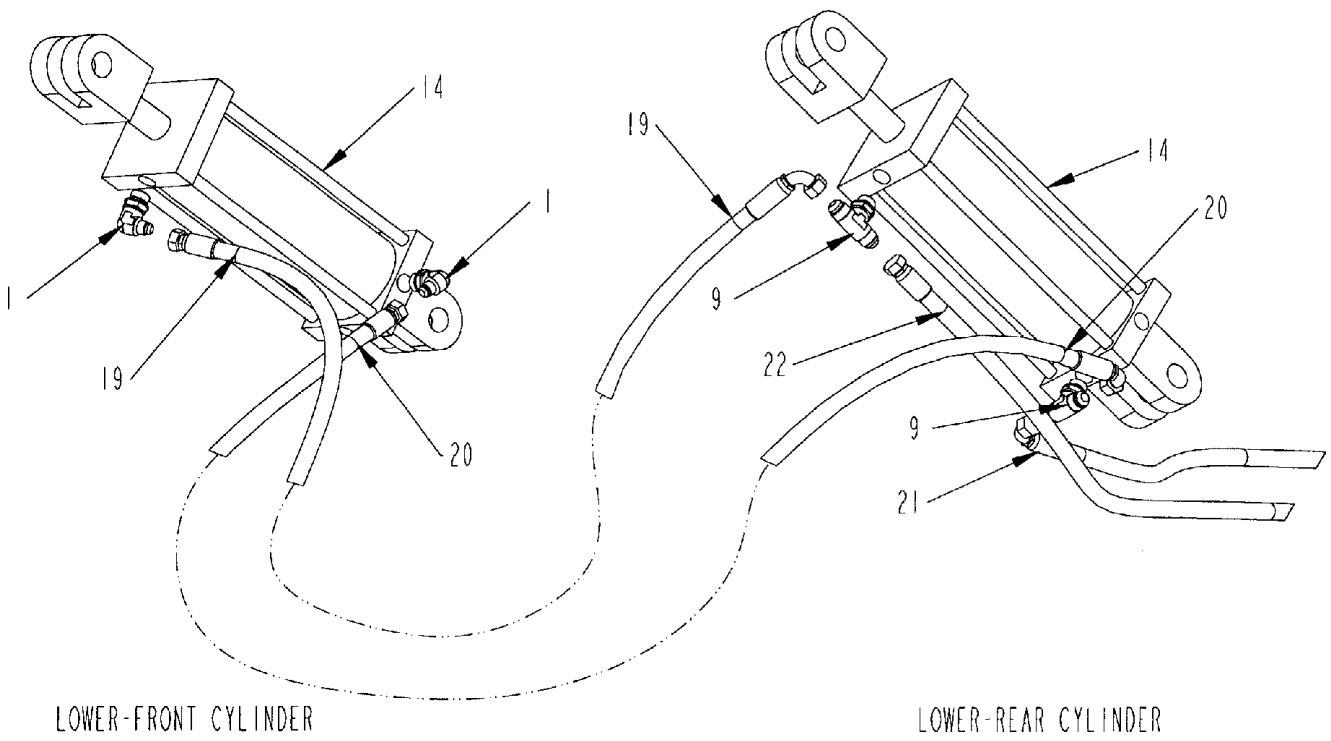
SEE PAGE 67 FOR PARTS LIST

TUB COVER - REAR VALVE - CYLINDER LINES



SEE PAGE 67 FOR PARTS LIST

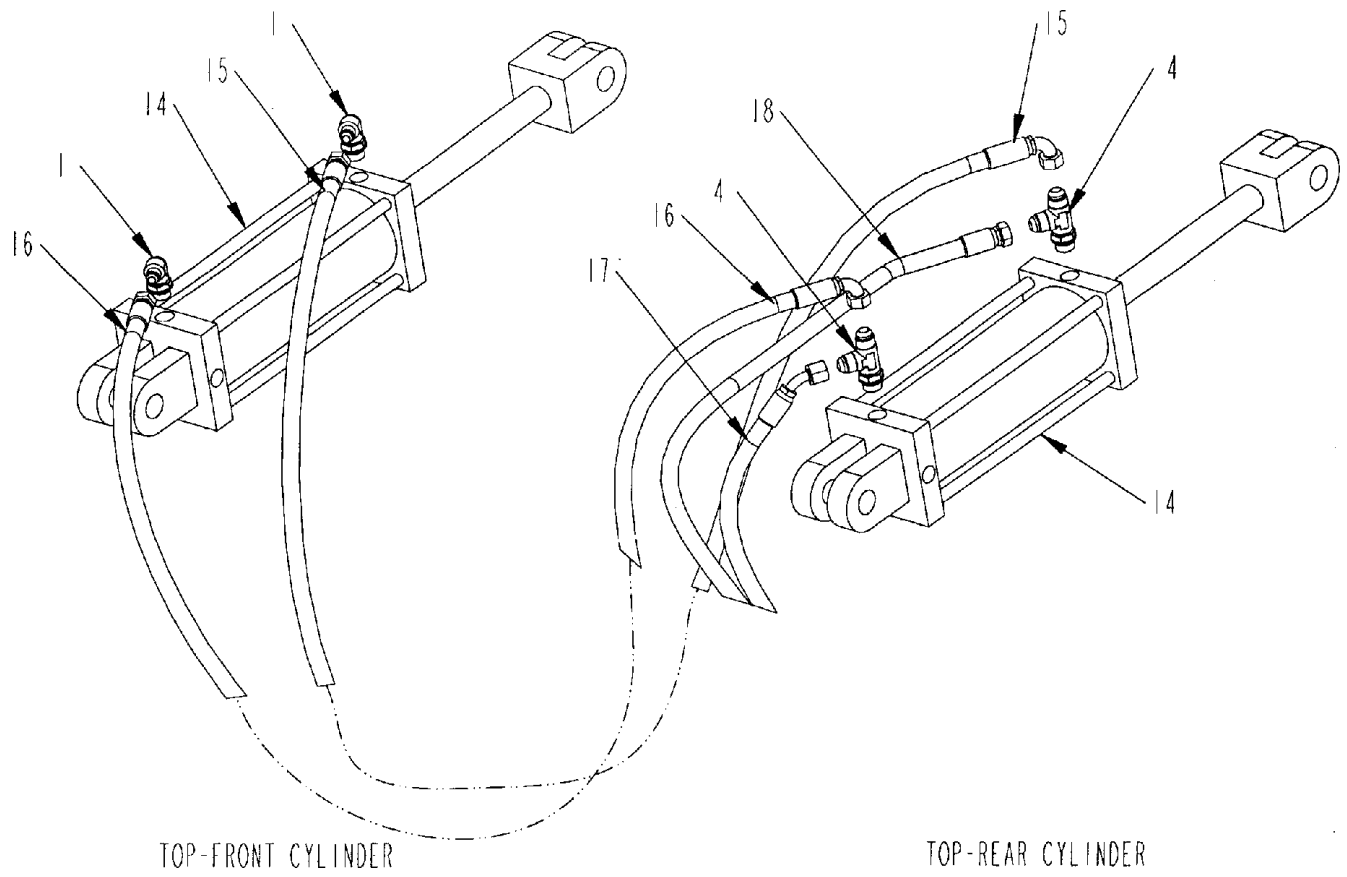
TUB COVER - LOWER HYDRAULIC CYLINDERS



LOWER-FRONT CYLINDER

LOWER-REAR CYLINDER

TUB COVER - UPPER HYDRAULIC CYLINDERS



TOP-FRONT CYLINDER

TOP-REAR CYLINDER

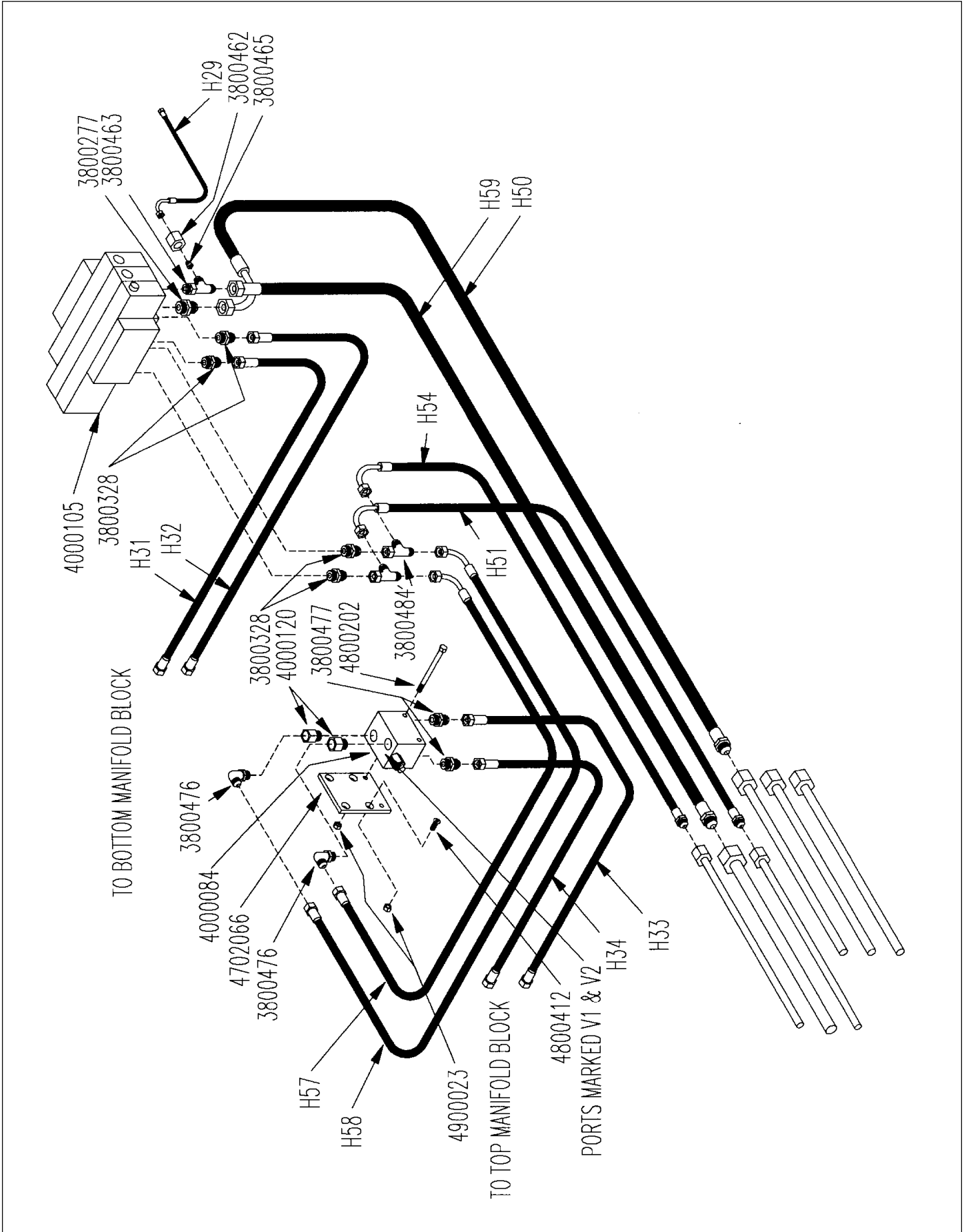
TUB COVER PARTS

ITEM	PART	QTY.	PART DESCRIPTION
1	3800453	4	FTG\3/4MORX9/16MJIC\90
2	3800462	1	FTG\1-1/16NUTFJICS
3	3800465	1	FTG\1-1/16FJICX7/16MJIC\ADPT
4	3800483	2	FTG\3/4MORX3/4MJICX3/4MJIC\RUN;TEE
5	3800527	1	FTG\7/8MORX1-1/16MJIC\ST
6	3800530	4	FTG\3/4MORX9/16MJIC\ST
7A	3800477	2	FTG\3/4MORX3/4MJIC\ST
7B	3800478	2	FTG\3/4MJICX3/4MJICX3/4FJIC\BRANCH;TEE
8	3800535	1	FTG\7/8MORX1-1/16MJIC\90
9	3800588	2	FTG\3/4MJICX3/4MJICX3/4MOR\TEE
10	3800670	1	FTG\1-1/16FJICX1-1/16MJICX1-1/16MJIC\RUN;TEE
11	4000084	1	VALVE\HYD\30GPM\DBL\HOLD
12	4000178	1	VALVE\HYD\4SPL\24V\TC

REPLACEMENT PARTS FOR 4000178

13	4000195		SOL\HYD\24VDC\W/DIODE
	4000176		VALVE\HYD\CARTRIDGE\WORK
	4000179		VALVE\HYD\CARTRIDGE\UNLOADER
	4000197		VALVE\HYD\HIGHSEC\36SER
	4000284		VALVE\HYD\HIGHSEC\36\END
14	4100185	4	CYL\HYD\3-1/2X8\TIE
15	HOSE_71	1	RTRN TOP-FRT CYL TO RTRN TOP-REAR CYL
16	HOSE_72	1	PRESS TOP-FRT CYL TO PRESS TOP-REAR CYL
17	HOSE_73	1	PRESS TOP-REAR CYL TO VLV BNK
18	HOSE_74	1	RTRN TOP-REAR CYL TO VLV BNK
19	HOSE_75	1	RTRN LWR-FRT CYL TO RTRN LWR-REAR CYL
20	HOSE_76	1	PRESS LWR-FRT CYL TO RTRN LWR-REAR CYL
21	HOSE_77	1	PRESS LWR-REAR CYL TO VLV BNK
22	HOSE_78	1	RTRN LWR-REAR CYL TO VLV BNK
23	HOSE_79	1	VLV BNK TO CONV LIFT HOLD VLV
24	HOSE_80	1	VLV BNK TO CONV LIFT HOLD VLV
25	HOSE_81	1	TUBE 6 TO PRESS IN VLV BNK
26	HOSE_82	1	TUBE 7 TO RETURN ON VLV BNK
27	HOSE_29	1	CONV ORBIT CASE DRAIN TO RTRN ON VLV BNK
28	HOSE_54	1	TUBE 1 TO CONV PRESS HOLD VLV
29	HOSE_51	1	TUBE 2 TO CONV PRESS HOLD VLV
30	HOSE_31	1	CONV FOLD MANIFOLD TO VLV BNK
31	HOSE_32	1	CONV FOLD MANIFOLD TO VLV BNK
32	TUBE_8	1	TUBE ALONG MAIN FRAME
33	TUBE_10	1	TUBE ALONG MAIN FRAME
34	TUBE_5	1	TUBE ALONG MAIN FRAME
35	TUBE_9	1	TUBE ALONG MAIN FRAME

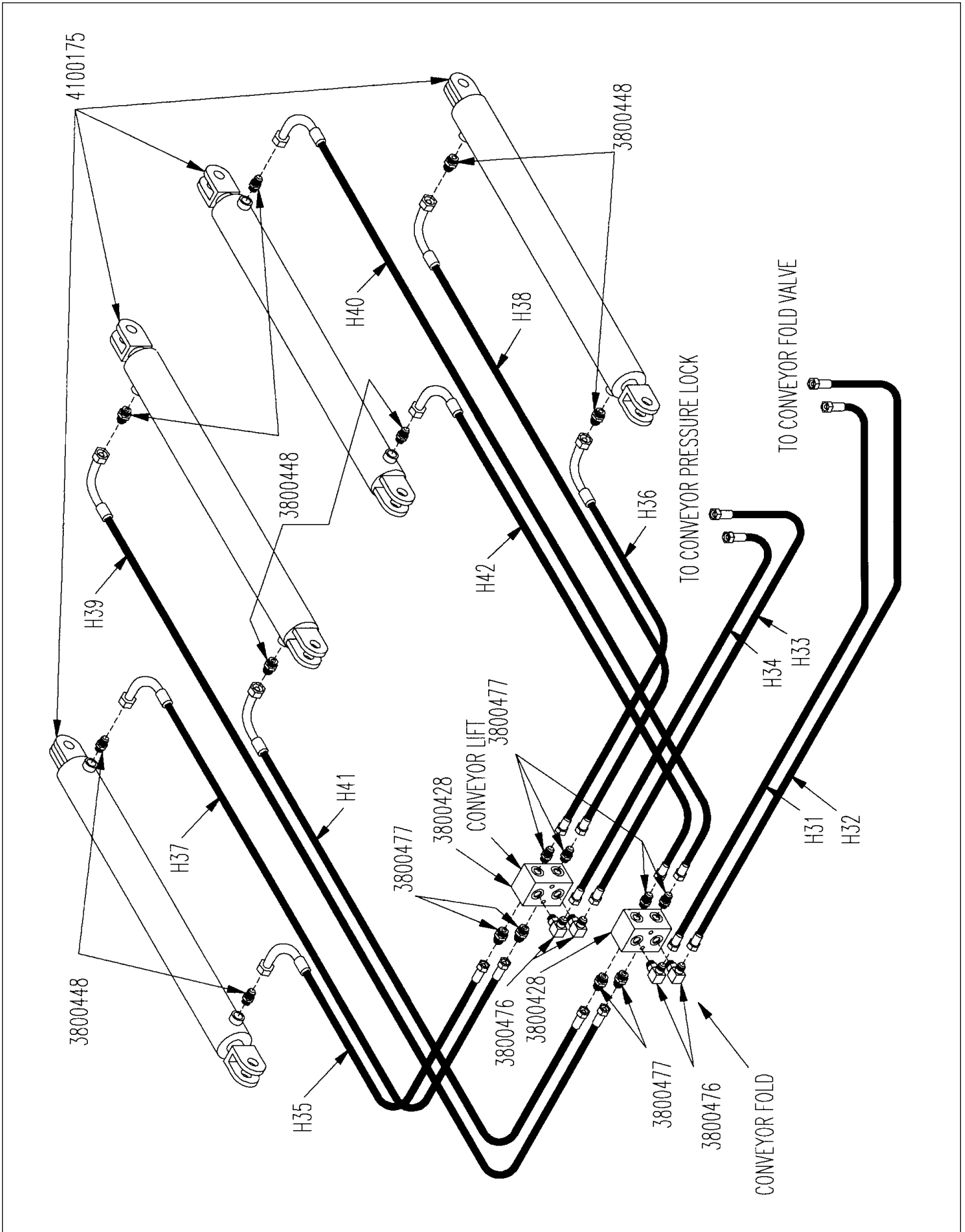
REAR VALVE WITH REMOTE RADIO



REAR VALVE WITH REMOTE RADIO

PART	QTY.	DESCRIPTION
		HYDREAR REMOTE RADIO OPTION
3800277	1	FTG\1-1/16MORX1-1/16MJIC\ADPT
3800328	4	FTG\7/8MORX3/4MJIC\ADPT
3800462	1	FTG\NUT\1-1/16FJICS
3800463	1	FTG\1-1/16MORX1-1/16MJIC>
3800465	1	FTG\1-1/16FJICX7/16MJIC>
3800476	2	FTG\3/4MORX3/4MJIC\90D\>
3800477	2	FTG\3/4MORX3/4MJIC\ADPT
3800484	2	FTG\3/4FJICSX3/4MJICX>
4000084	1	VALVE\HYD\30GPM\HOLD\DBL>
4000105	1	VALVE\HYD\20GPM\2SPL\24V>
4000117		VALVE\HYD\SOLENOID\24V, REPLACEMENT SOLENOID FOR VALVE #4000105
4000120	2	VALVE\FLO;CNTRL\10GPM\PRESS;COMP
4702066	1	PL\ADPT\VALVE\LOCK\PRESS
4800202	2	BOLT\HEX\3/8X5
4800412	4	SCR\CSK\ALN\3/4X1-1/4\NC
4900023	6	NUT\TPLCK\3/8\NC

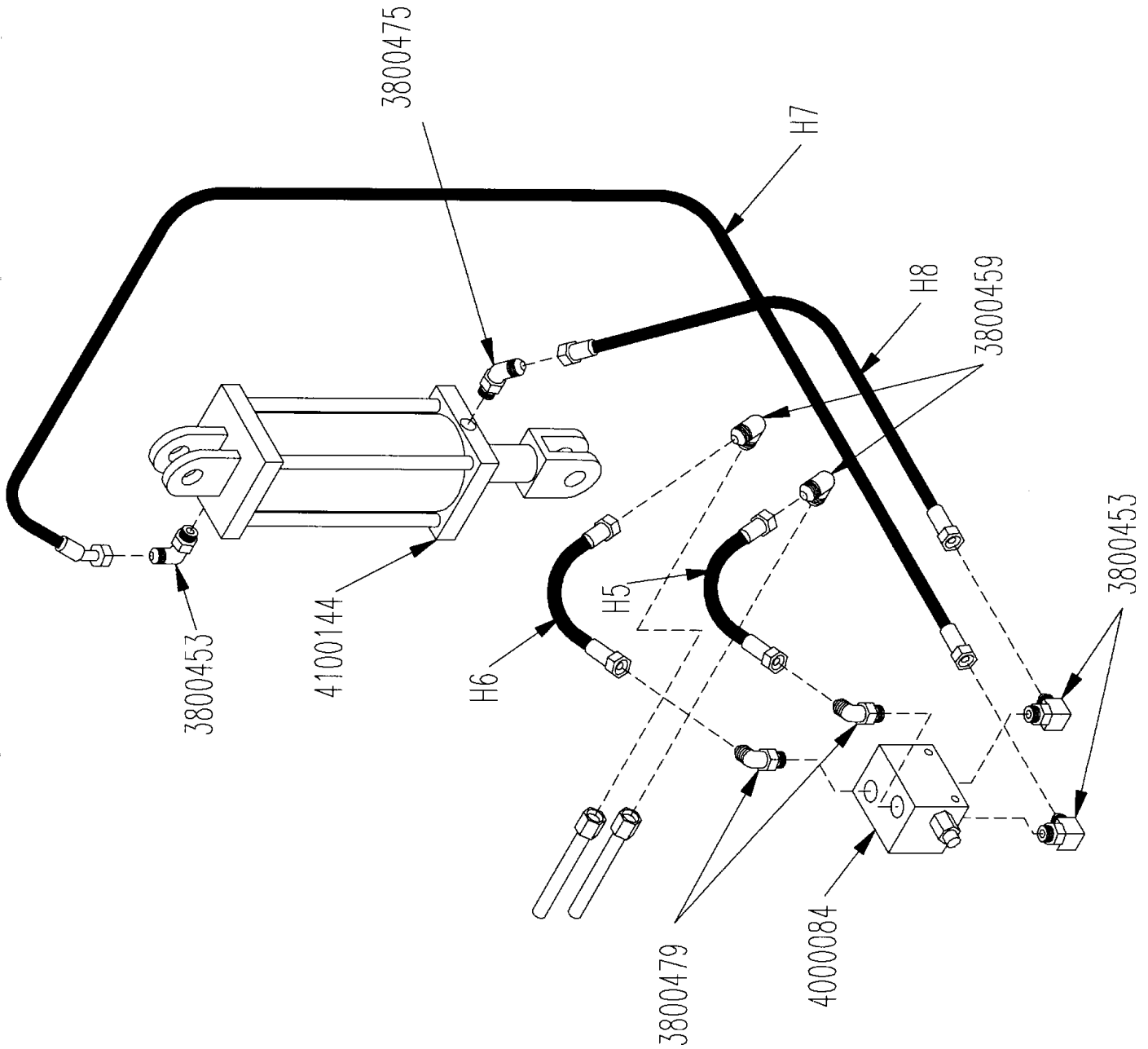
CONVEYOR CYLINDER MANIFOLD HOSES AND FITTINGS



CONVEYOR CYLINDER MANIFOLD HOSES AND FITTINGS

PART	QTY.	DESCRIPTION
		HYDMNFLD
3800428	2	MNFLD\3/4FOR\DBL;TEE\BLK
3800448	8	FTG\7/8MJICX7/8MOR\ADPT
3800476	4	FTG\3/4MORX3/4MJIC\90D\>
3800477	8	FTG\3/4MORX3/4MJIC\ADPT
4100175	4	CYL\HYD\3X36\PARALLEL\ SEE ALSO PAGE 68

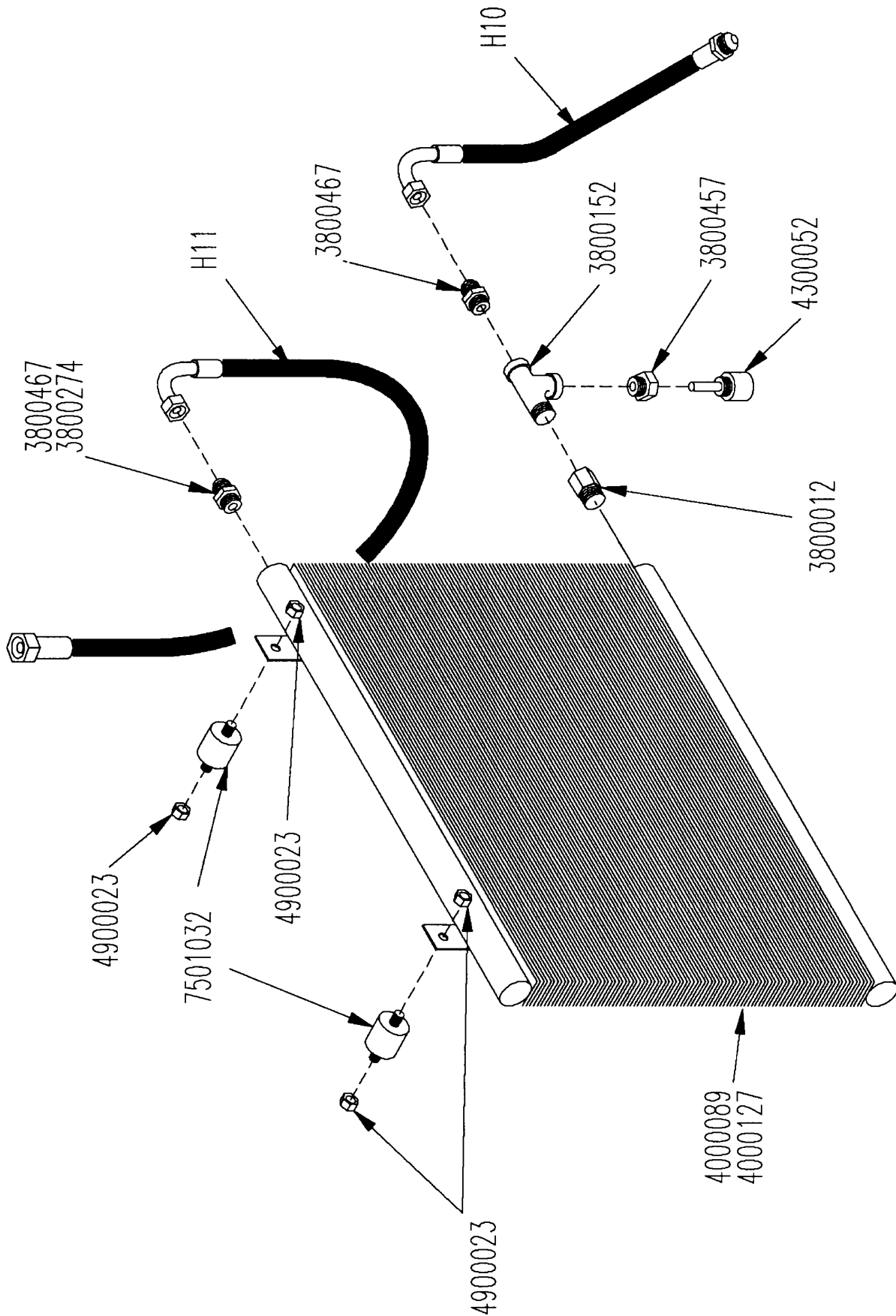
TUB CYLINDER HOSES AND FITTINGS



TUB CYLINDER HOSES AND FITTINGS

<u>PART</u>	<u>QTY.</u>	<u>DESCRIPTION</u>
		HYDTBTLT
3800453	3	FTG\3/4MORX9/16JIC\90D\>
3800459	2	FTG\7/8MJIC\90D\ELL
3800475	1	FTG\3/4MORX9/16MJIC\45D\>
3800479	2	FTG\3/4MORX3/4MJICX\45D\>
4000084	1	VALVE\HYD\30GPM\HOLD\DBL>
4100144	1	CYL\HYD\4 X 30\1-3/4 ROD\
4701307		PLATFORM SAFETY STOP SEE ALSO PAGE 68

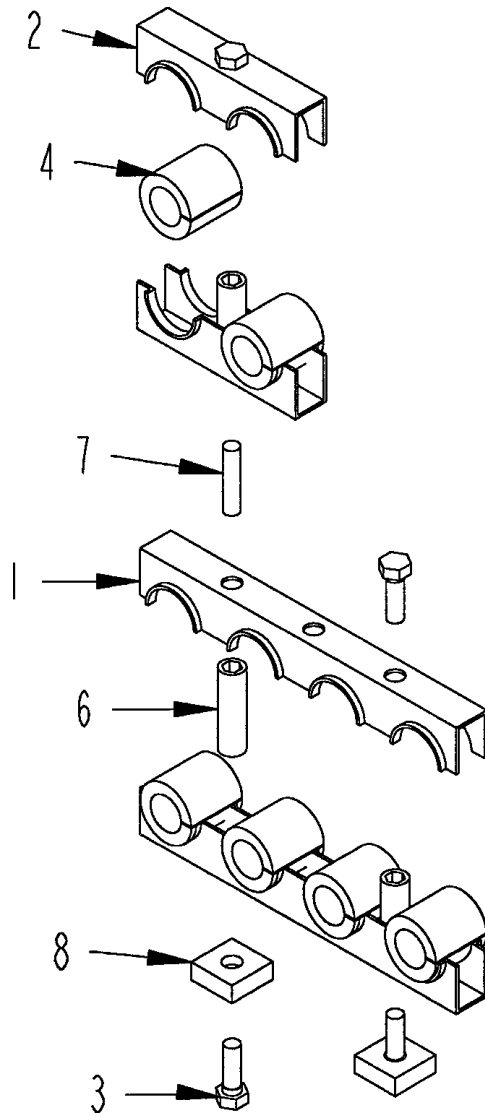
COOLER HOSES AND FITTINGS



COOLER HOSES AND FITTINGS

PART	QTY.	DESCRIPTION
		HYDCOOLR
3800012	1	FTG\1-5/16MORX1FP\ADPT
3800152	1	FTG\1FPX1MPX1FP\RUN;TEE
3800274	1	FTG\1-5/16MORX1-5/16MJIC\ADPT
3800457	1	FTG\1MPX3/8FP\BUSH
3800467	1	FTG\1-5/16MJICX1MP\ADPT
4000089	1	RAD\HYD\19-3/4X23X2\1FP
4000127	1	RAD\HYD\19-3/4X23X2\1-5/16FOR
4300052	1	SWITCH\THERMOSTTC\140DEG\>
4900023	8	NUT\TPLCK\3/8\NC
7501032	4	CUSH\RBBR\2-1/4X1-1/2\>
Not Shown		
4000129		BLWR\HYD\12D\24VDC\KIT
4000150		RADMNTNG\KIT\K-210

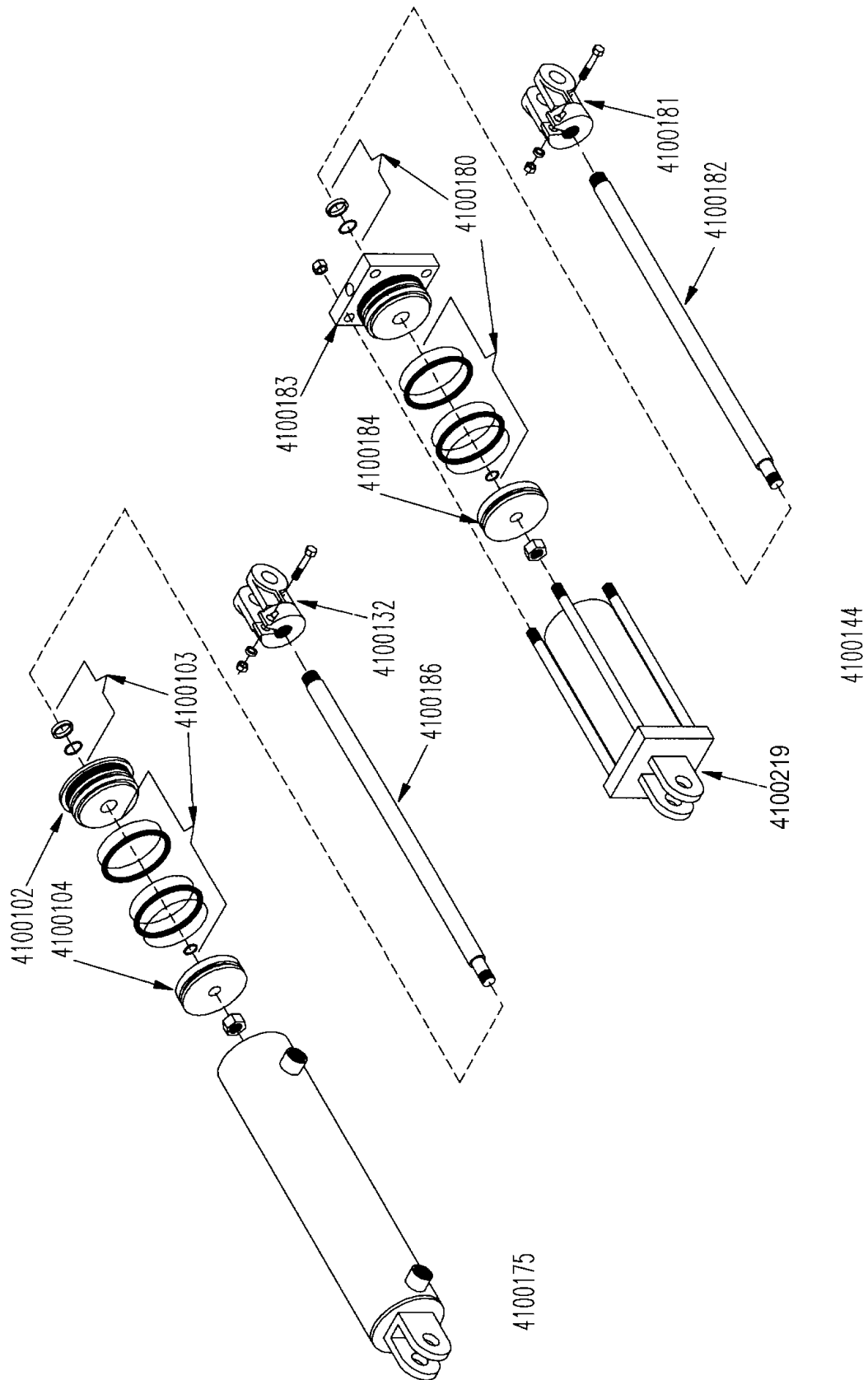
HYDRAULIC TUBE CLAMP ASSEMBLIES



HYDRAULIC TUBE CLAMP ASSEMBLIES

ITEM	PART	QTY.	DESCRIPTION
1-1/4 TUBE CLAMP			
1	3800551	2	CLAMP\HOSE\1-1/4\4HOLES
2	3800552	2	CLAMP\HOSE\1-1/4\2HOLES
3	4800013	4	BOLT\HEX\5/16X1
4	3800649		BUSH\RBBR\1TUBE\1-1/4ODX1IDX1-1/4L 30mmODX25mmID
4	3800650		BUSH\RBBR\3/4TUBE\1-1/4ODX3/4IDX1-1/4L 30mmODX19mmID
4	3800651		BUSH\RBBR\5/8TUBE\1-1/4ODX5/8IDX1-1/4L 30mmODX16mmID
4	3800652		BUSH\RBBR\1/2TUBE\1-1/4ODX1/2IDX1-1/4L 30mmODX13mmID
6	4800603	3	NUT\STACK\5/16X1-3/4\NC
7	4800604	1	BOLT\STUD\5/16X1-3/8\NC
8	3800654	2	HLDR\5/16BOLT\WELDON
2-1/4 TUBE CLAMP			
2	3800646	2	CLAMP\TUBE\2-1/4\2;HOLES
3	4800003	4	BOLT\HEX\3/8X1
3	4800098	4	BOLT\HEX\3/8X1-1/4
4	3800647		BUSH\RBBR\1-3/4TUBE\2-1/4ODX1-3/4ID 57mmODX44mmID
4	3800648		BUSH\RBBR\1TUBE\2-1/4ODX1ID 57mmODX25mmID
6	4900153	3	NUT\STACK\3/8X2-3/4\NC
7	4800614	1	BOLT\STUD\3/8X2\NC
8	3800653	2	HLDR\3/8BOLT\WELDON

HYDRAULIC CYLINDER SEALS AND OTHER ITEMS

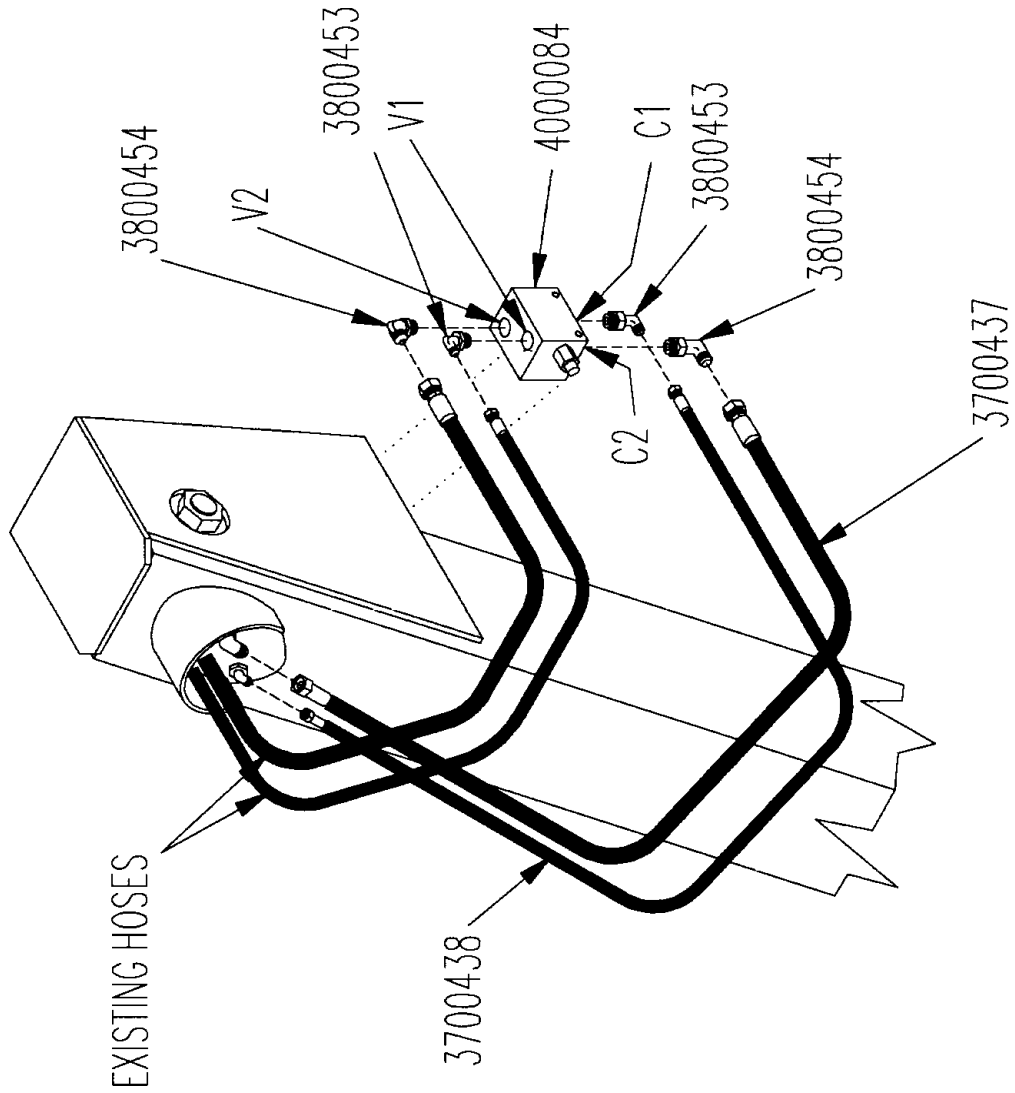


HYDRAULIC CYLINDER SEALS AND OTHER ITEMS

PART #	QTY	DESCRIPTION
4100144		CYL\HYD\4X30\1-3/4"ROD\CLEVIS ENDS\O-RING PORTS
4100180	1	CYL\SEAL\4X30\1-3/4 ROD
4100181	1	CYL\YOKE\4X30\1-3/4 ROD
4100182	1	CYL\ROD\4X30\1-3/4 ROD
4100183	1	CYL\GLAND\4X30\1-3/4 ROD
4100184	1	CYL\PISTON\4X30\1-3/4 ROD
4100219	1	CYL\HYD\BUTT\ END-CAP

PART #	QTY	DESCRIPTION
4100175		CYL\HYD\3X36\PARALLEL\CLEV\7/8FOR
4100102	1	3" GLAND W/ 1-1/2" ROD
4100103	1	3"SEAL KIT FOR 1-1/2"ROD
4100104	1	3" PISTON RAM
4100132	1	YOKE ON 1-1/4 RAM FOR 2.5 TO 3" CYL
4100186	1	CYL\ROD\3X36\1-1/2 ROD

ADDITIONAL HOSES FOR LOADER STABILIZER LEGS



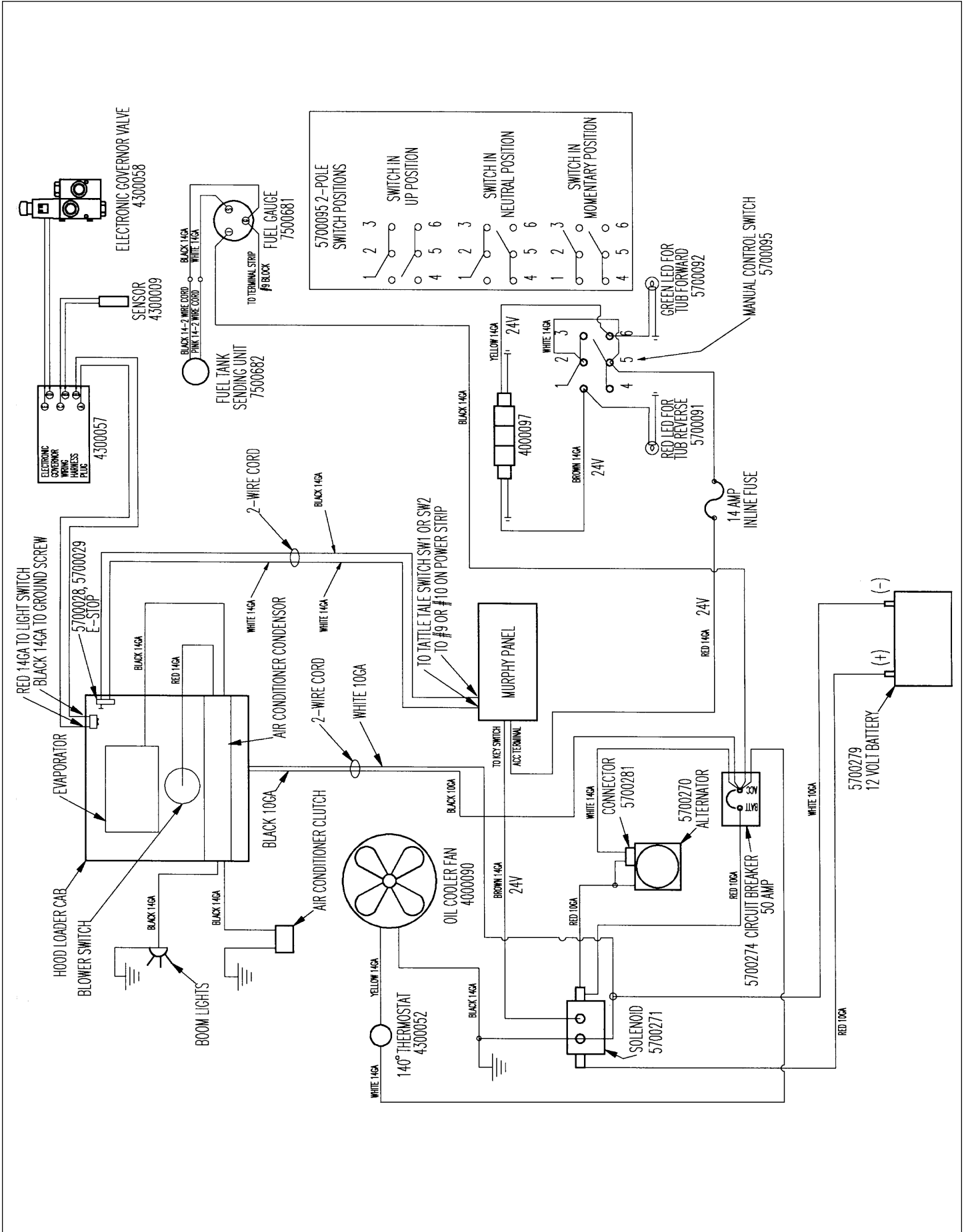
ADDITIONAL HOSES FOR LOADER STABILIZER LEGS

PART	QTY.	DESCRIPTION
4702023		KIT\LOCK\PRESS\LEG\STAB\>
3700437	2	HOSE\HYD\1/2X28\7/8FJICS
3700438	2	HOSE\HYD\3/8X26\9/16FJICS
3800453	4	FTG\3/4MORX9\16JIC\90D\>
3800454	4	FTG\7/8MJICX3\4MOR\90D\>
4000084	2	VALVE\HYD\30GPM\HOLD\DBL>
4800089	4	BOLT\HEX\3/8X4
4900023	4	NUT\TPLCK\3/8\NC

STANDARD PACKAGE SCHEMATIC SN GI0080 - GI0086

PART	QTY.	DESCRIPTION
		ELECSER4
4000077		VALVE\HYD\CARTRIDGE 24V\REPLACEMENT FOR 4000097
4000090	1	BLWR\HYD\12D\12VDC\KIT
5700216		MTR\ELEC\FRCTNL\12VDC REPLACEMENT FOR 4000090
4000097	1	VALVE\HYD\20GPM\1SPL\24V
4300009	1	SENSOR\MAG\W/HARDWARE
4300018	1	WIRING HARNESS IG-8
4300052	1	SWITCH\THRMOSTTC\140DEG\>
4300058	1	VALVE\ELEC\HYD\25GPM\12V
5700091	1	LAMP\LED\24VDC\RED
5700092	1	LAMP\LED\24VDC\GRN
5700095	2	SELECTOR SWITCH 8511K15
5700270	1	ALT\78AMP\12V\213-4350
5700271	1	RELAY\CONT:DUTY\24V\ST-88
5700274	1	BRKR\CIRCUIT\50AMP
5700279	1	BATT\12V\GRP24
5700281	1	CONN\ALTW/RESISTOR
7500681	1	GAUGE\FUEL\ELEC\HD12\>
7500682	1	GAUGE\FUEL\SENDING\HD12
4000131		VALVE\HYD\SOLENOID\25V\REPLACEMENT\SOLENOID FOR VALVE 4000097

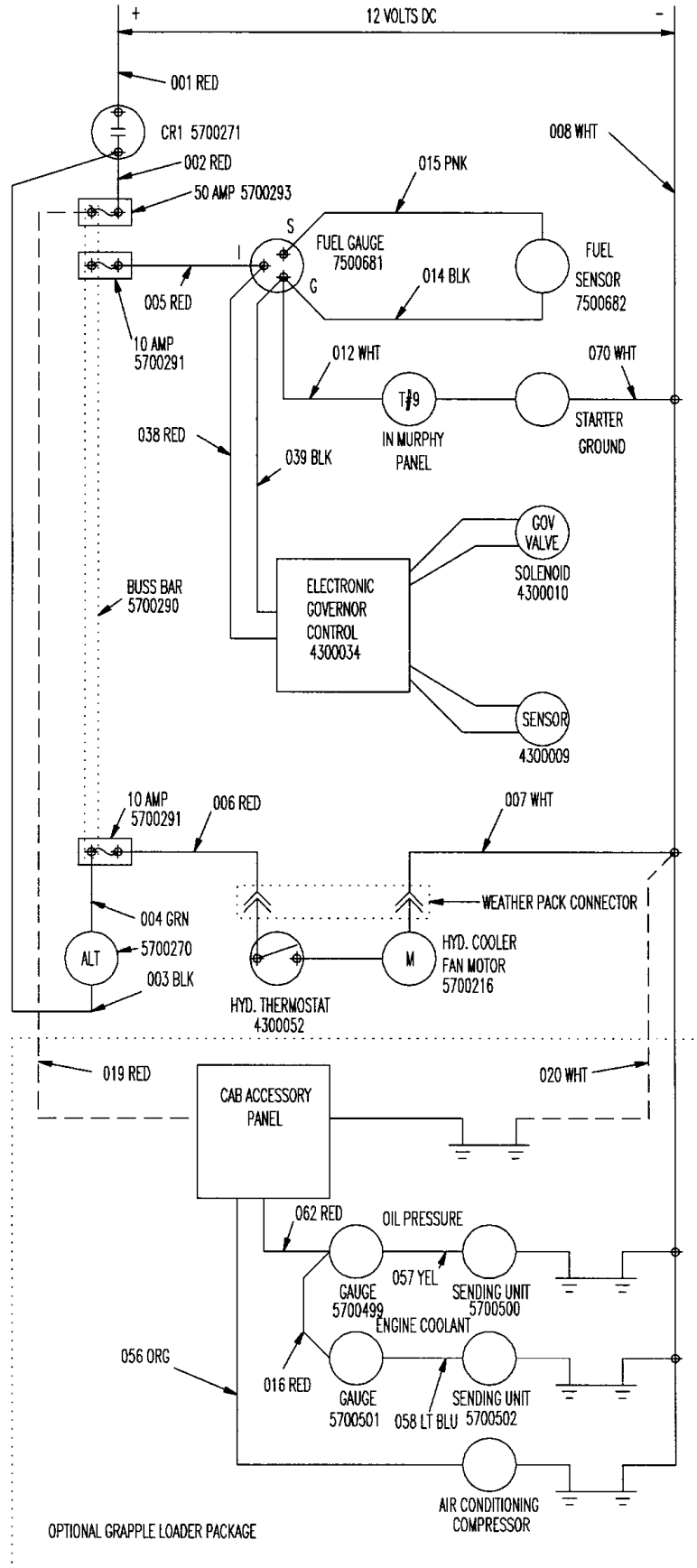
LOADER SCHEMATIC SN GI0080 - GI0086



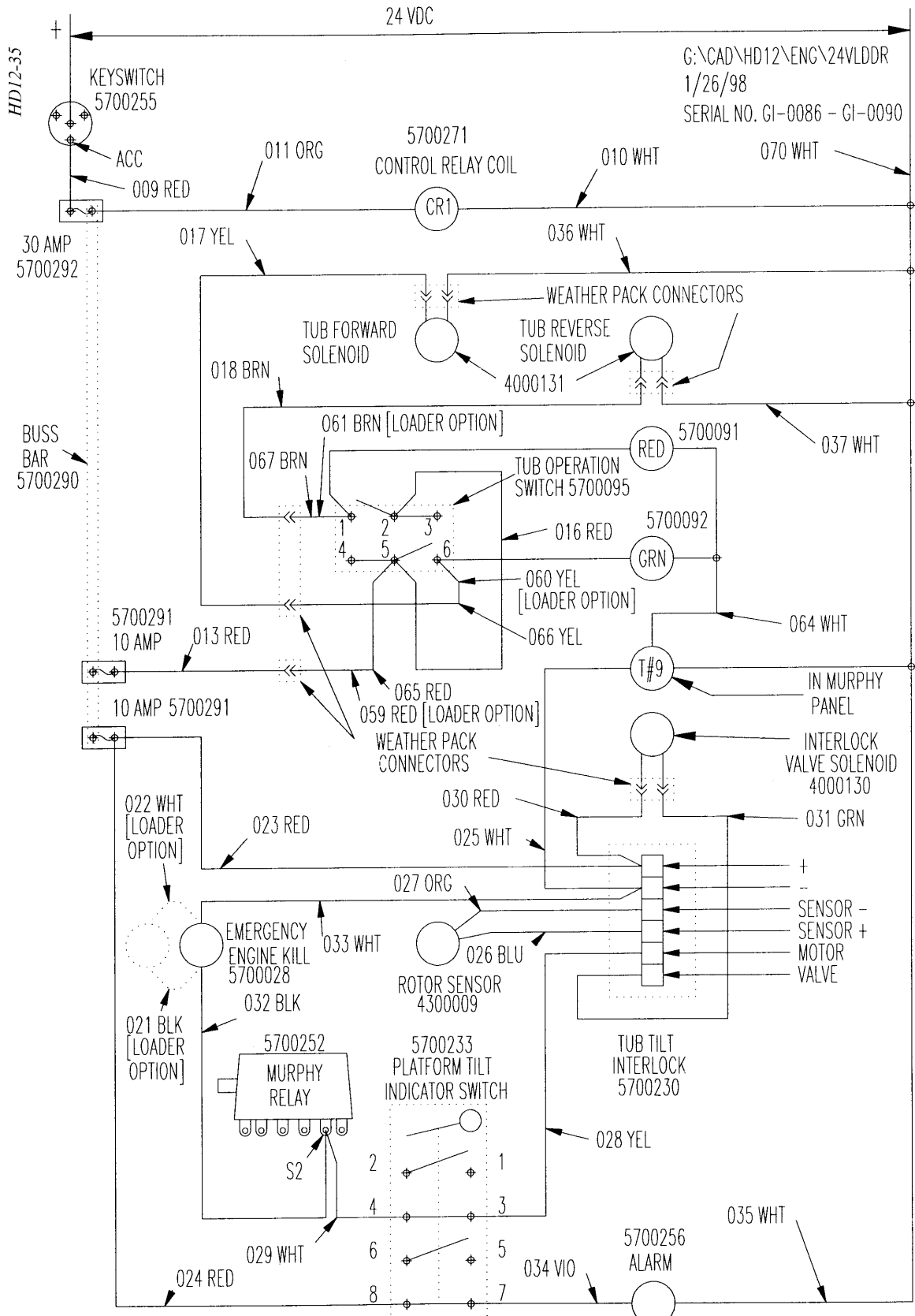
LOADER SCHEMATIC SN GI0080 - GI0086

PART	QTY.	DESCRIPTION
		ELECHOOD
4000077		VALVE\HYD\CARTRIDGE 24V\REPLACEMENT FOR 4000097
4000090	1	BLWR\HYD\12D\12VDC\KIT
5700216		MTR\ELEC\FRCTL\12VDC REPLACEMENT FOR 4000090
4000097	1	VALVE\HYD\20GPM\1SPL\24V
4300009	1	SENSOR\MAG\W\HARDWARE
4300052	1	SWITCH\THRMOSTTC\140DEG\>
4300057	1	WIRING HARNESS HD12
4300058	1	VALVE\ELEC\HYD\25GPM\12V
5700028	1	SWITCH\MAINT\PB\RED\MUSH>
5700029	1	LEGEND PLATE 800T-X618
5700091	1	LAMP\LED\24VDC\RED
5700092	1	LAMP\LED\24VDC\GRN
5700095	2	SELECTOR SWITCH 8511K15
5700270	1	ALT\78AMP\12V\213-4350
5700271	1	RELAY\CONT:DUTY\24V\ST-88
5700274	1	BRKR\CIRCUIT\50AMP
5700279	1	BATT\12V\GRP24
5700281	1	CONN\ALTW/RESISTOR
7500681	1	GAUGE\FUEL\ELEC\HD12\>
7500682	1	GAUGE\FUEL\SENDING\HD12
4000131		VALVE\HYD\SOLENOID\25V\REPLACEMENT\SOLENOID FOR VALVE 4000097

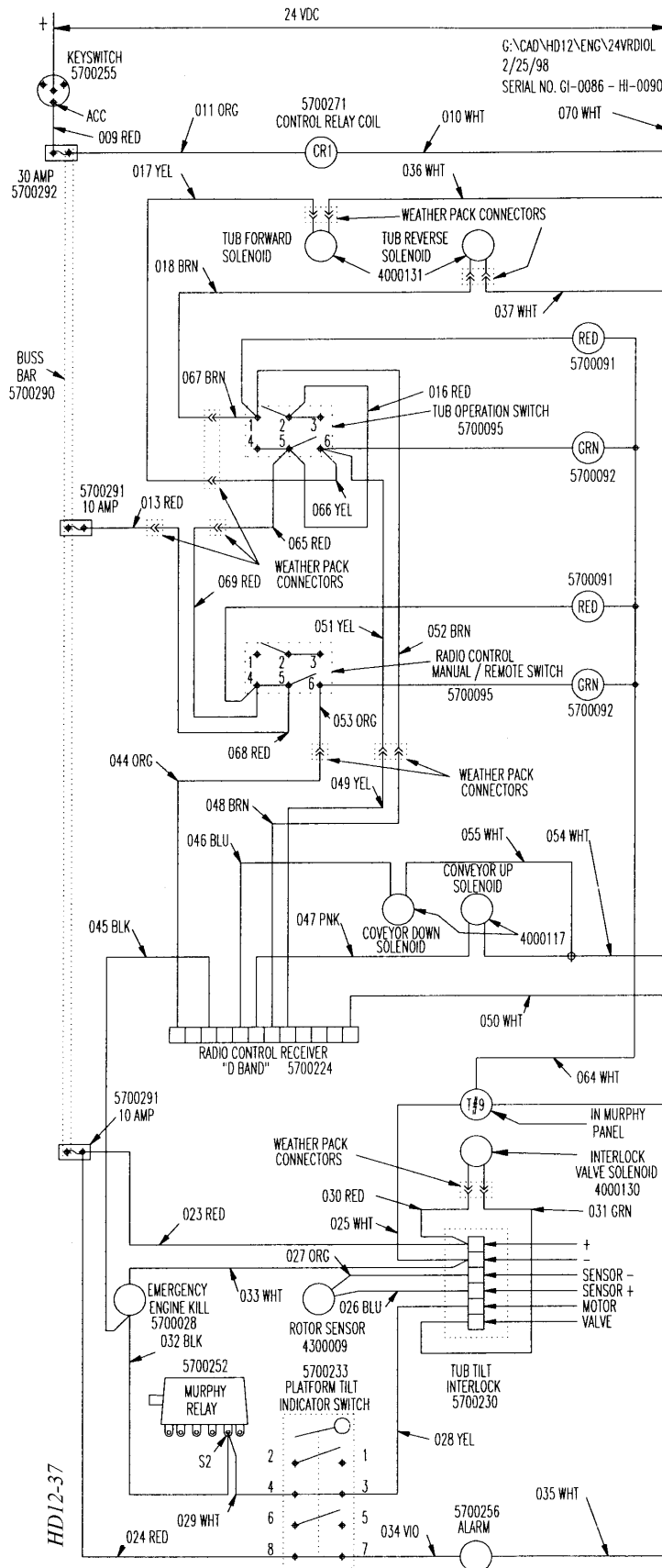
SEE PAGE 85 FOR PARTS LIST



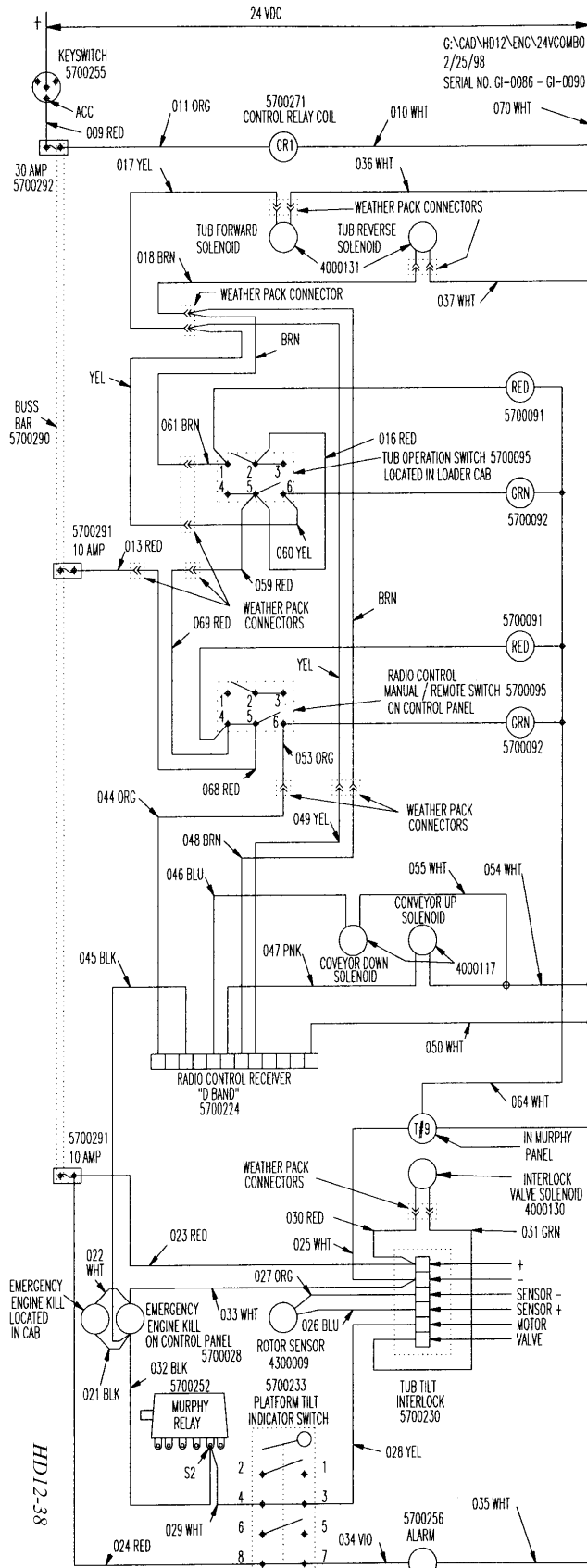
SEE PAGE 85 FOR PARTS LIST



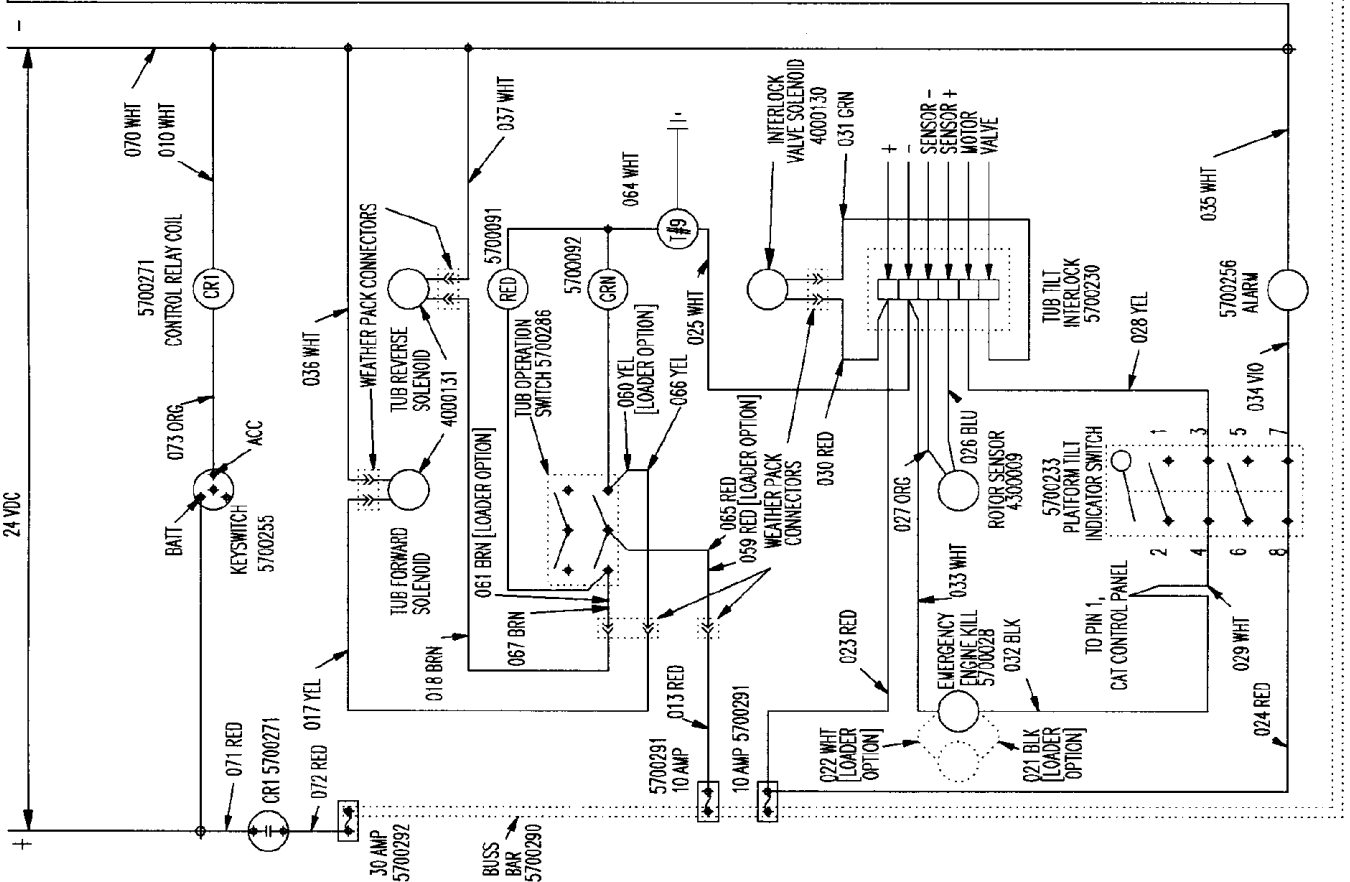
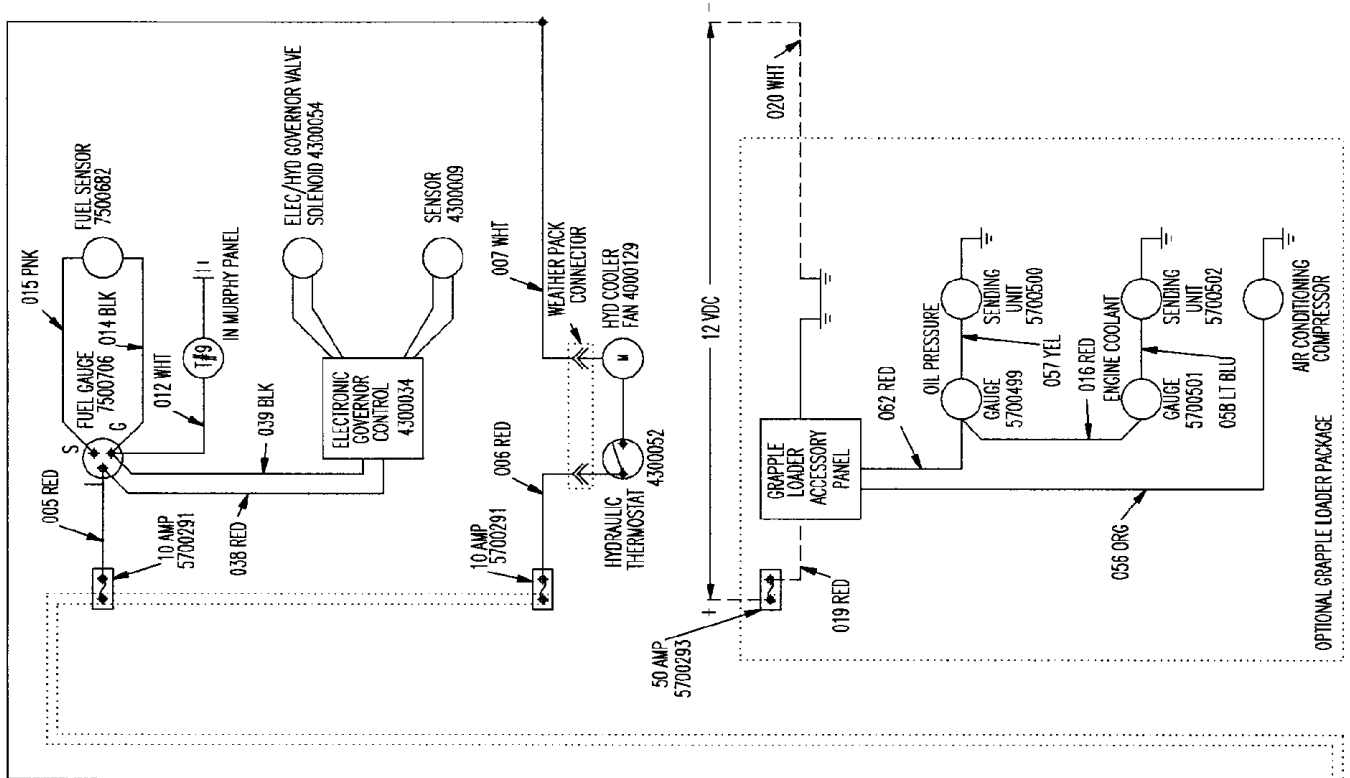
SEE PAGE 85 FOR PARTS LIST



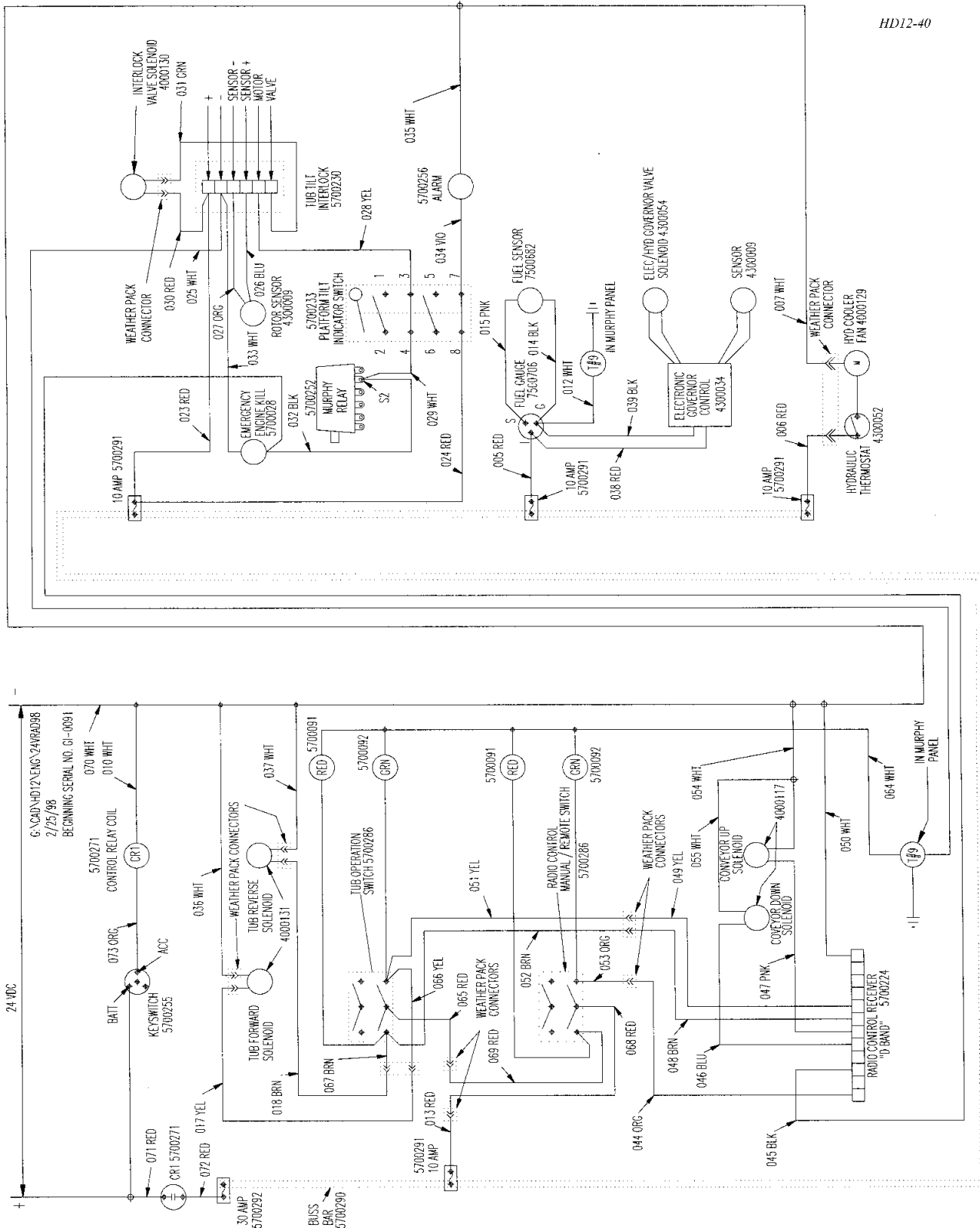
SEE PAGE 85 FOR PARTS LIST



SEE PAGE 85 FOR PARTS LIST



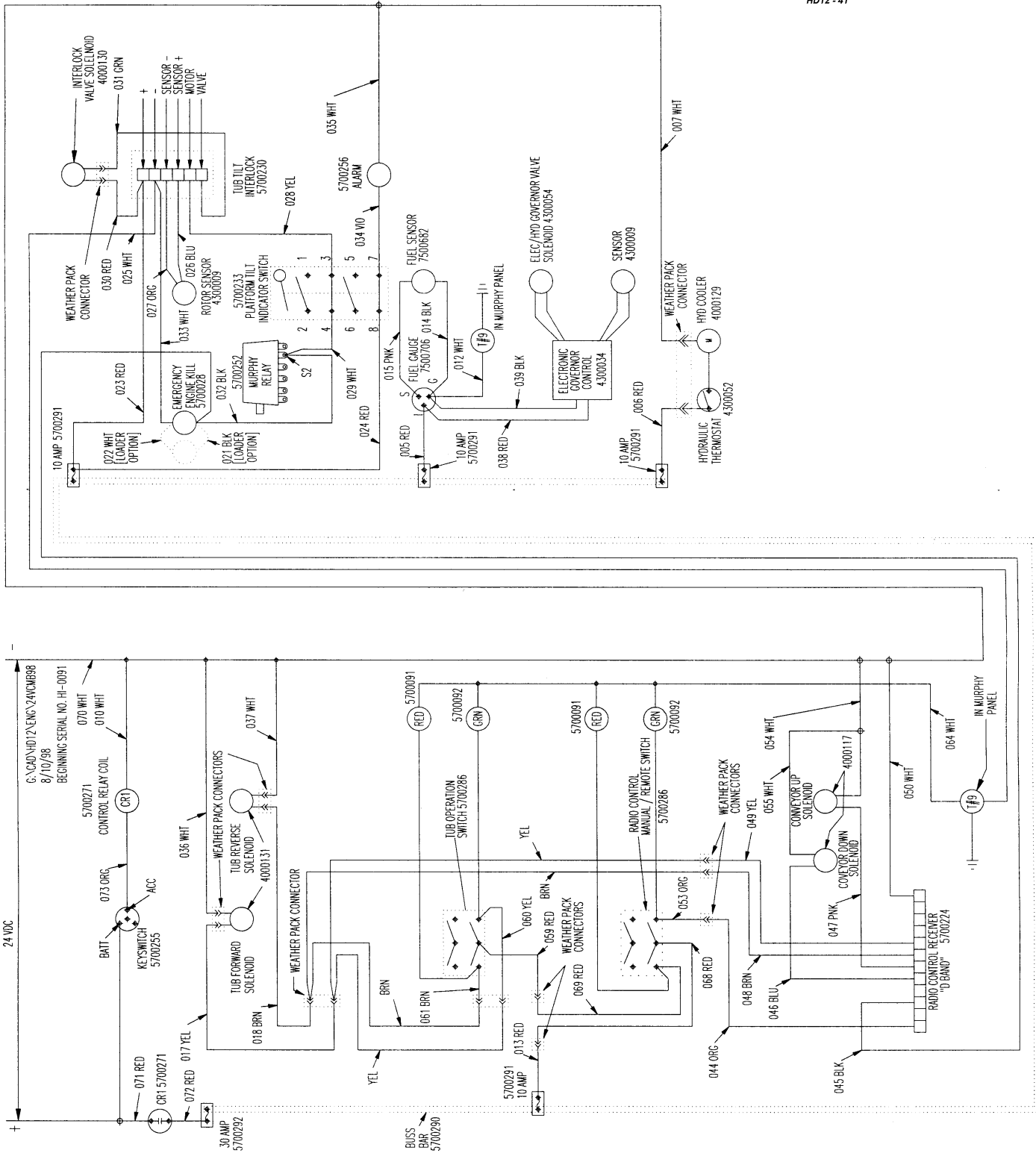
SEE PAGE 85 FOR PARTS LIST



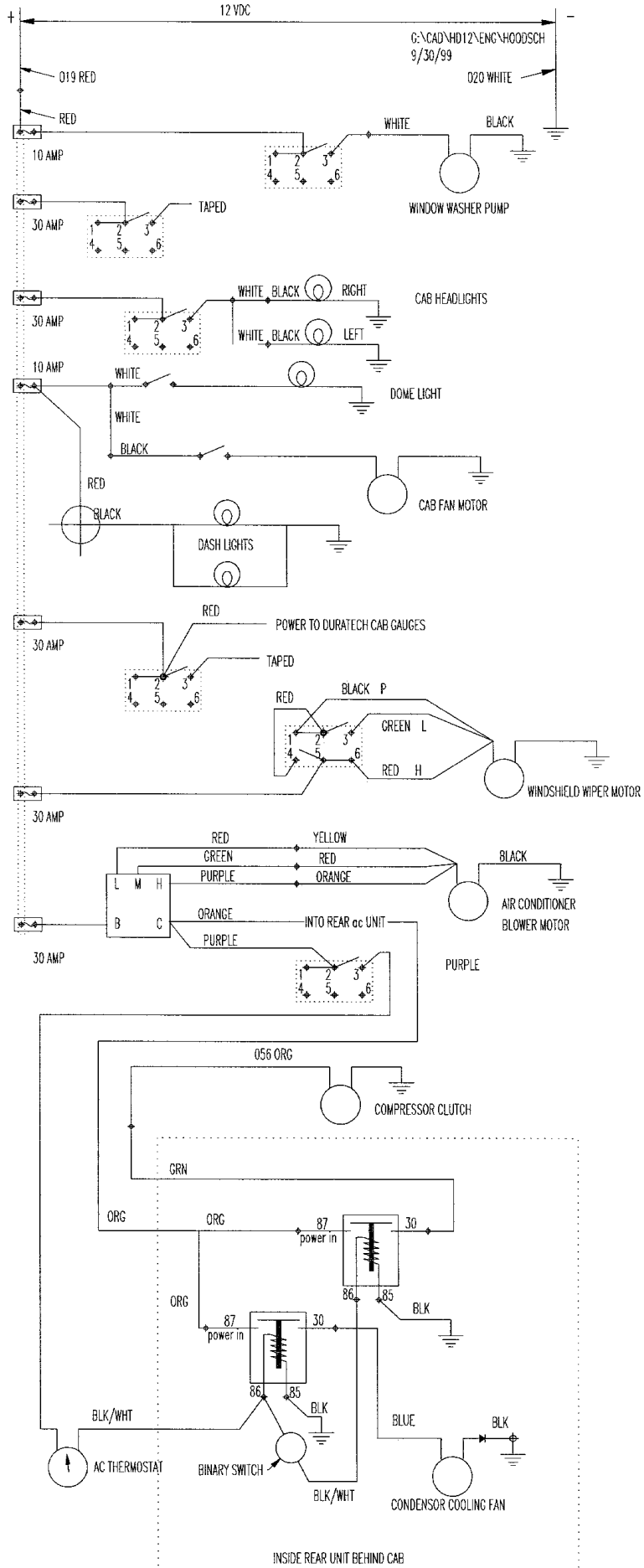
HD12-40

SEE PAGE 85 FOR PARTS LIST

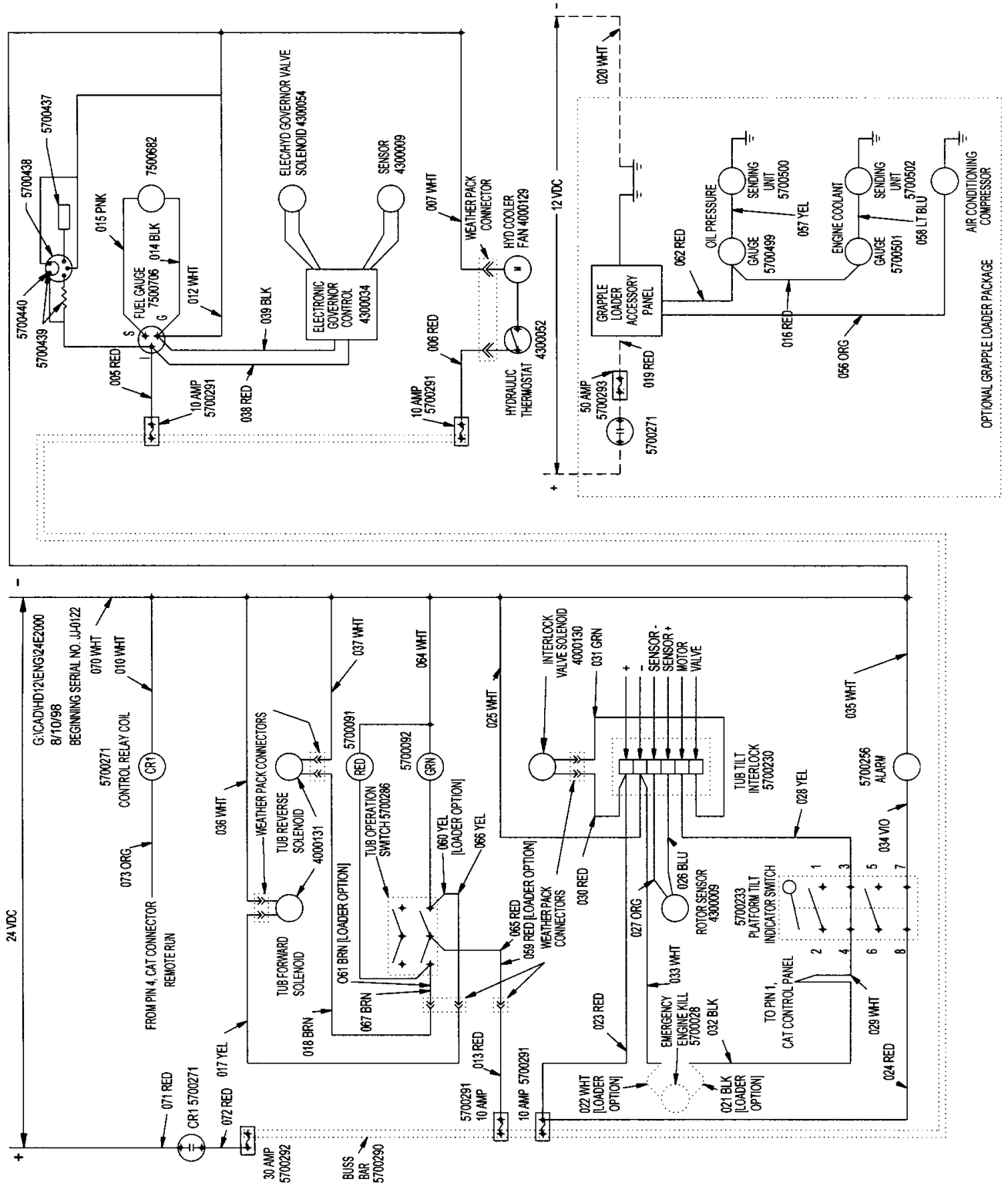
HD12 - 41



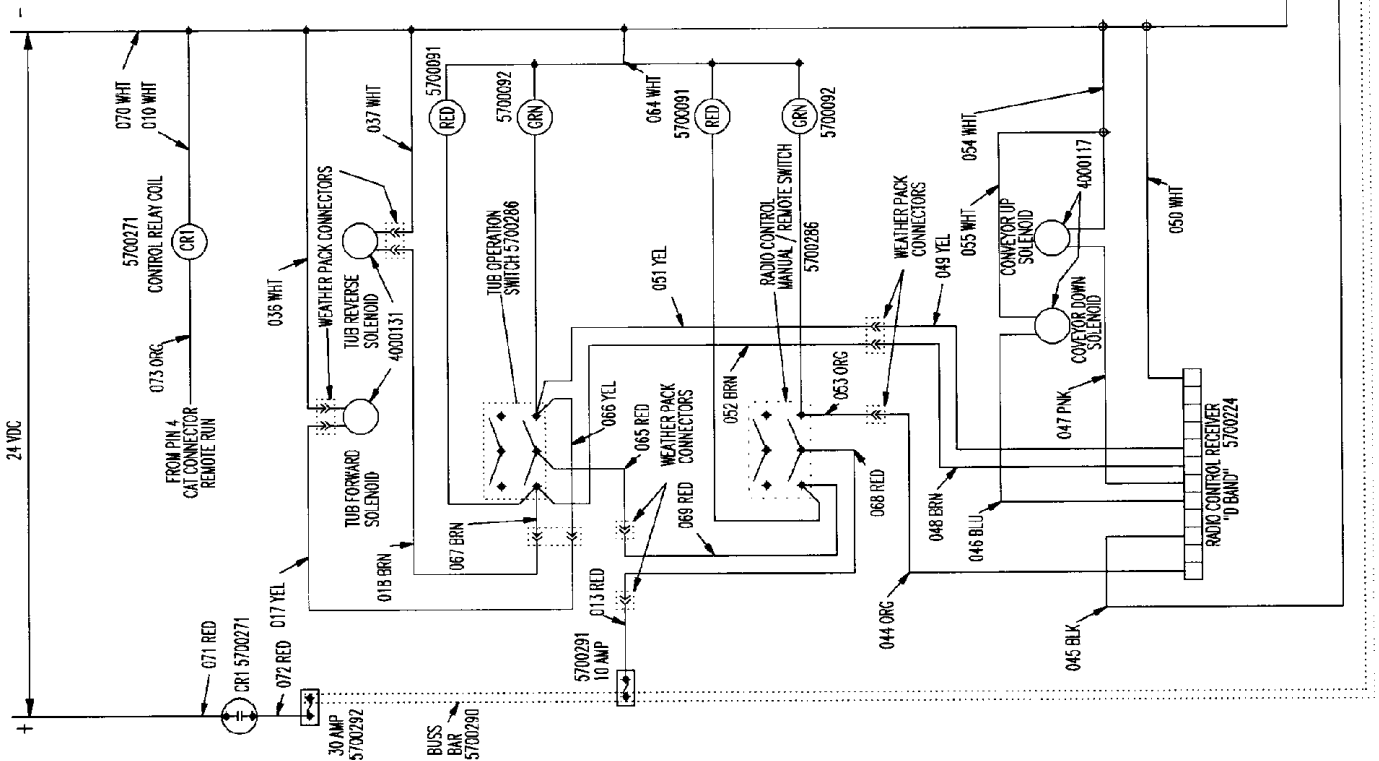
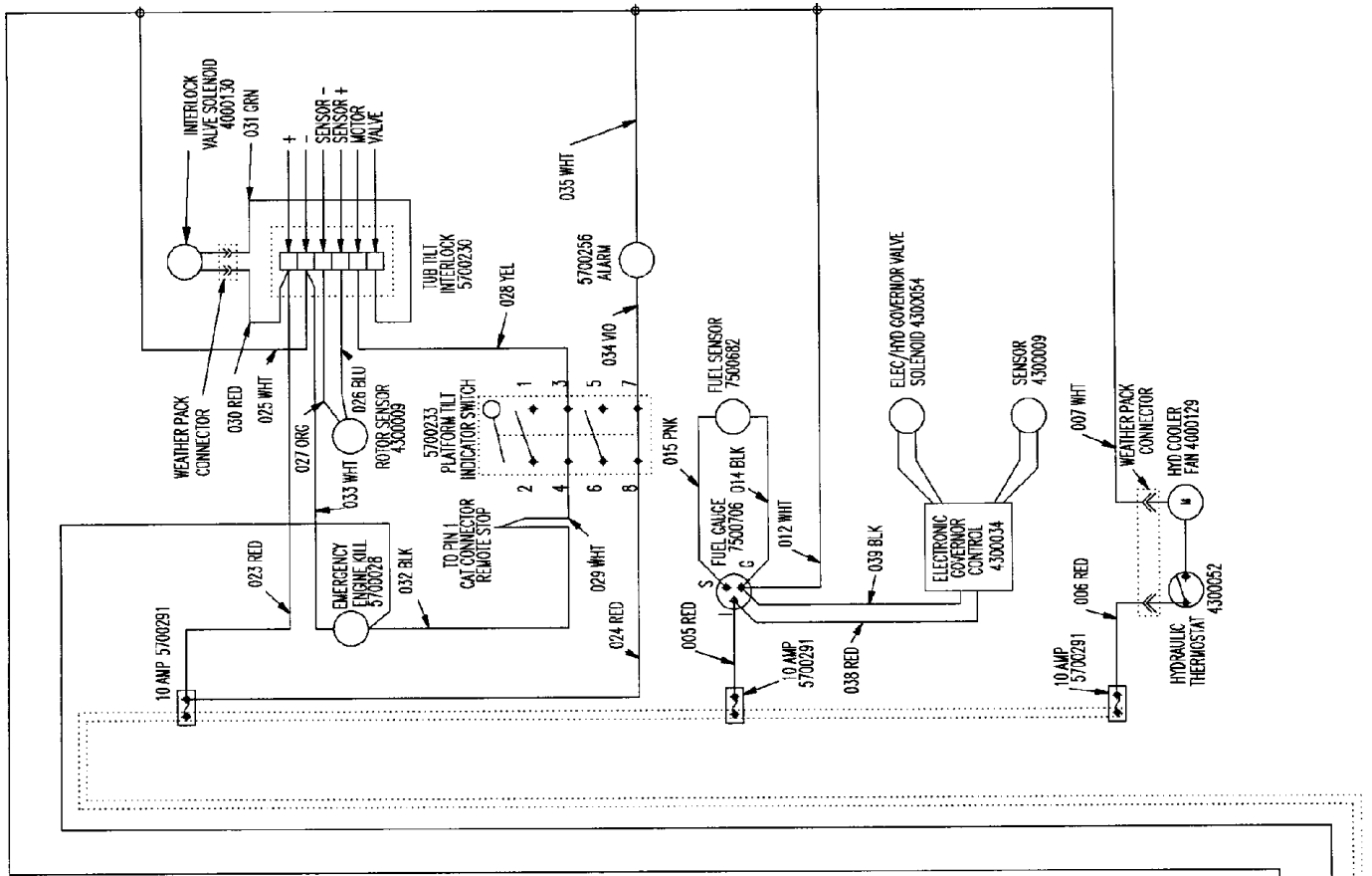
LOADER CAB SCHEMATIC



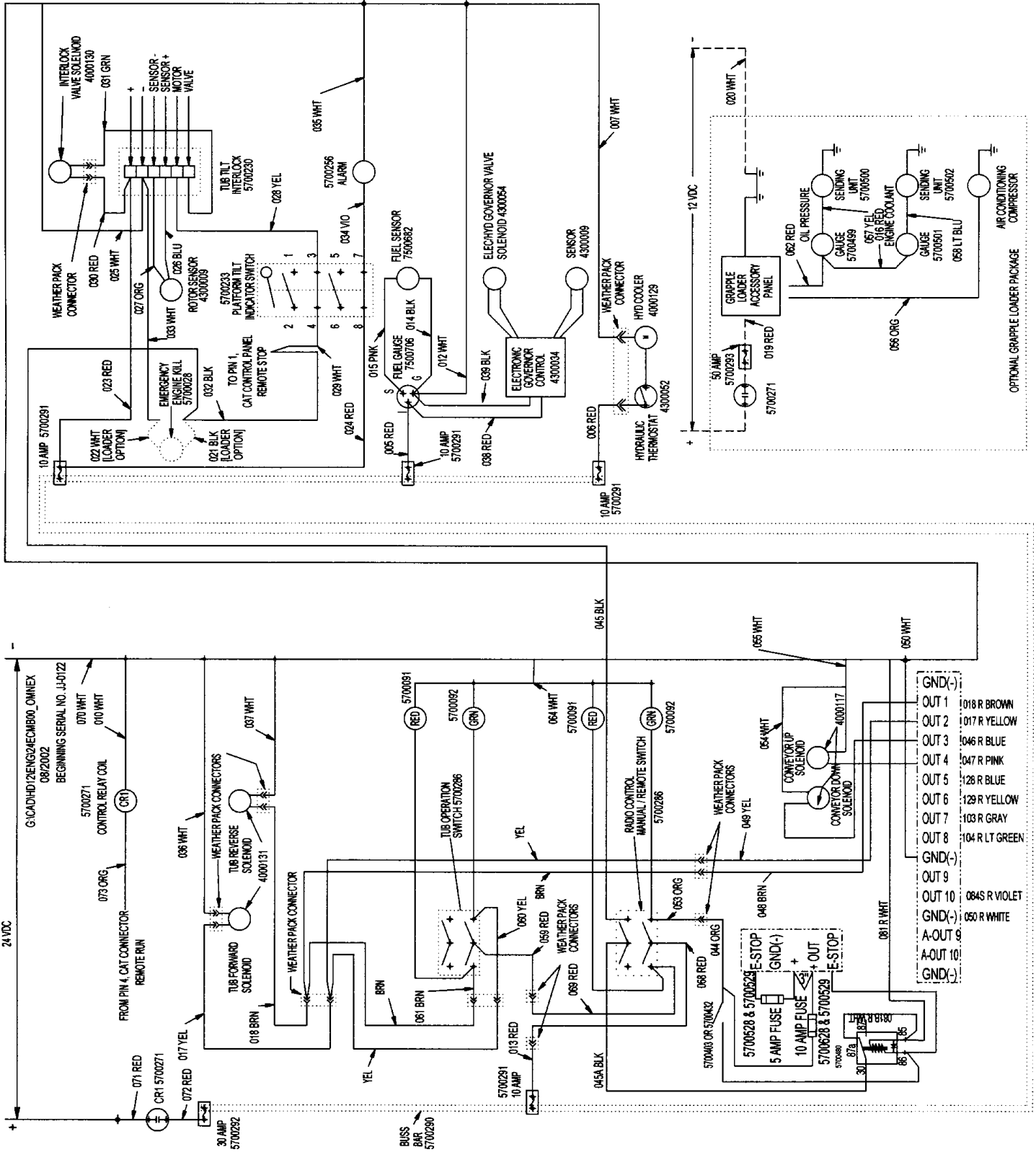
24V SCHEMATIC - BASE PACKAGE, ELECTRONIC ENGINE



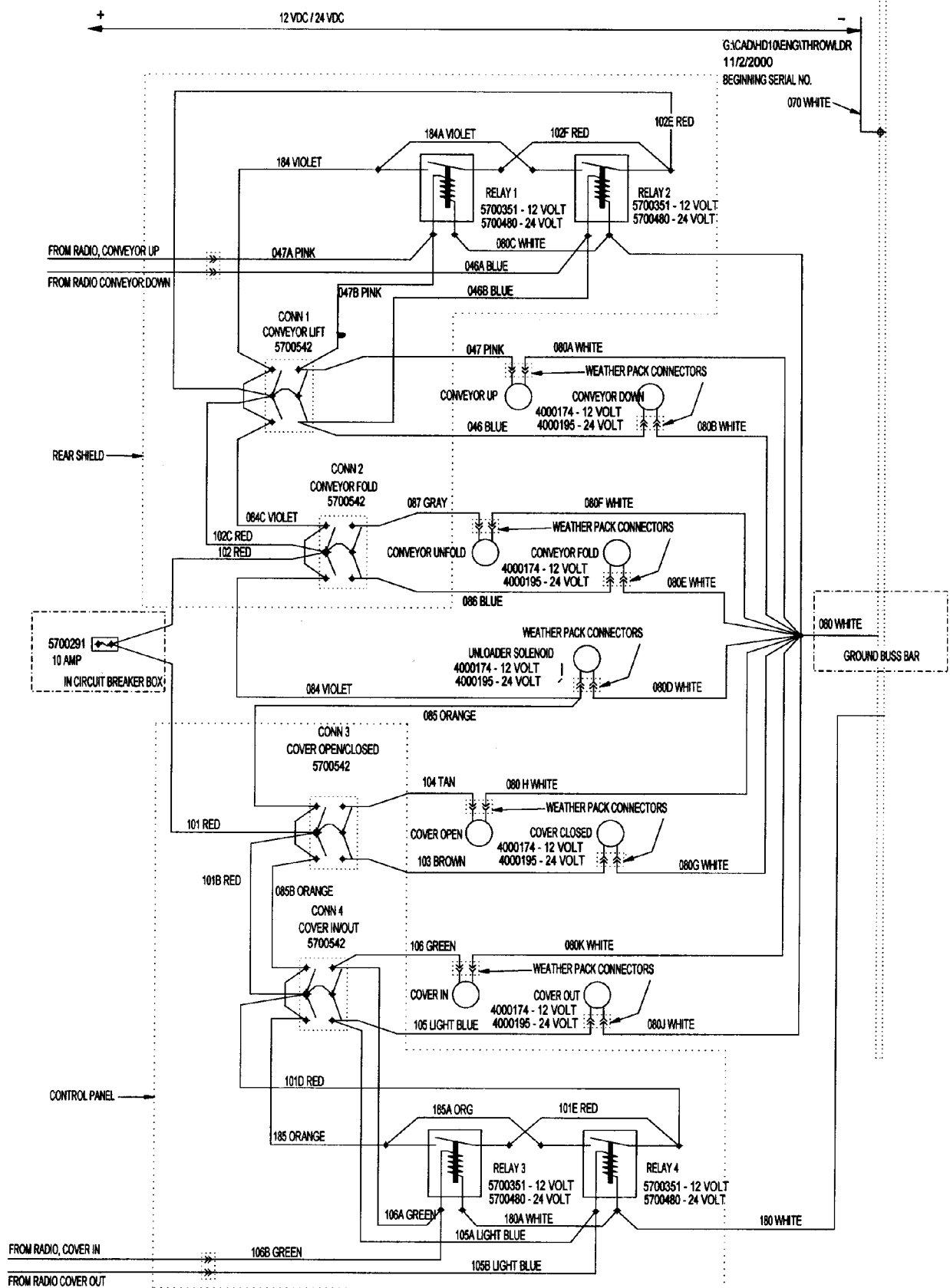
24V SCHEMATIC - BASE PACKAGE, ELECTRONIC ENGINE



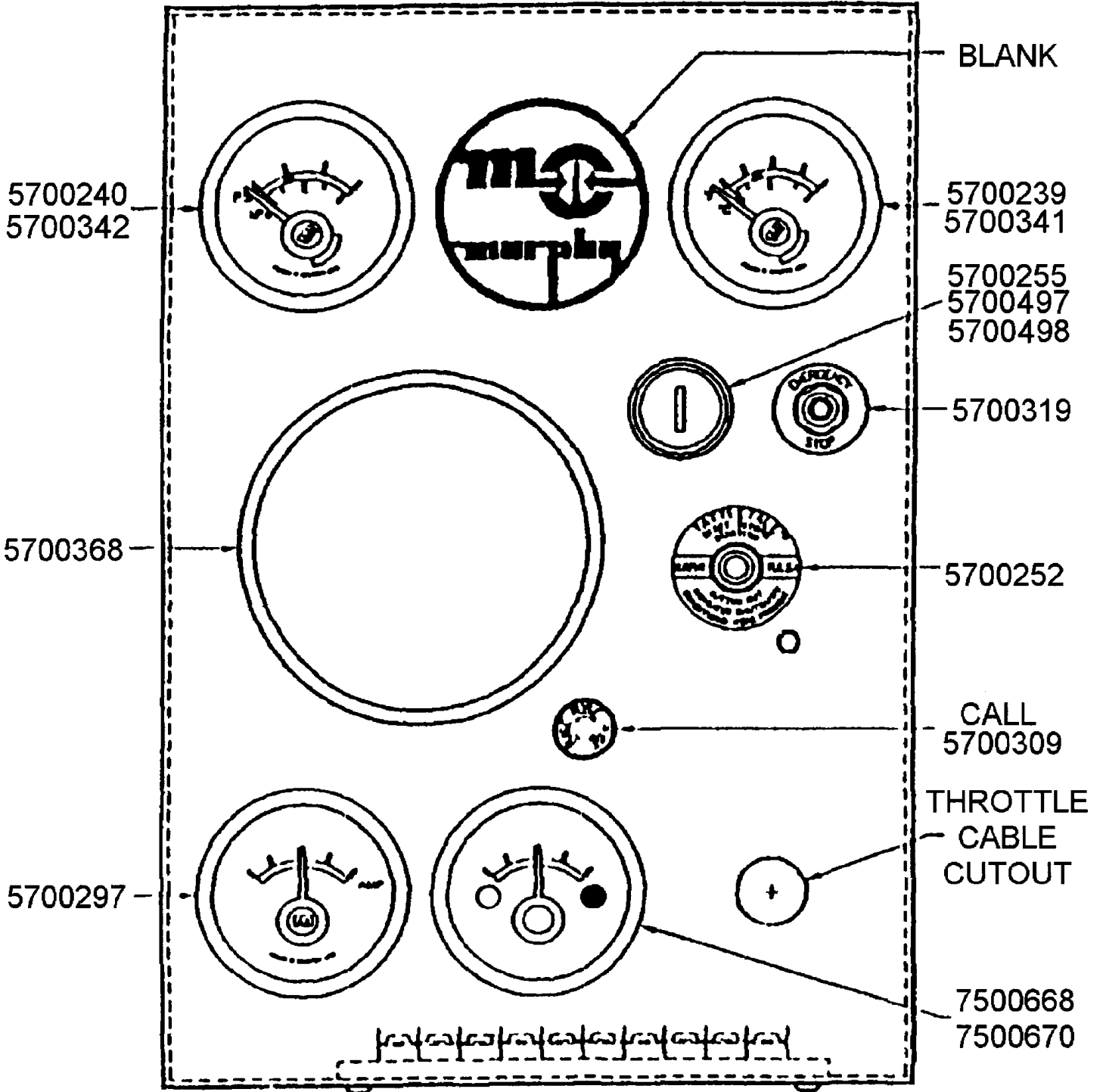
24V SCHEMATIC - W/OMNEX RADIO, LOADER, ELECTRONIC ENGINE



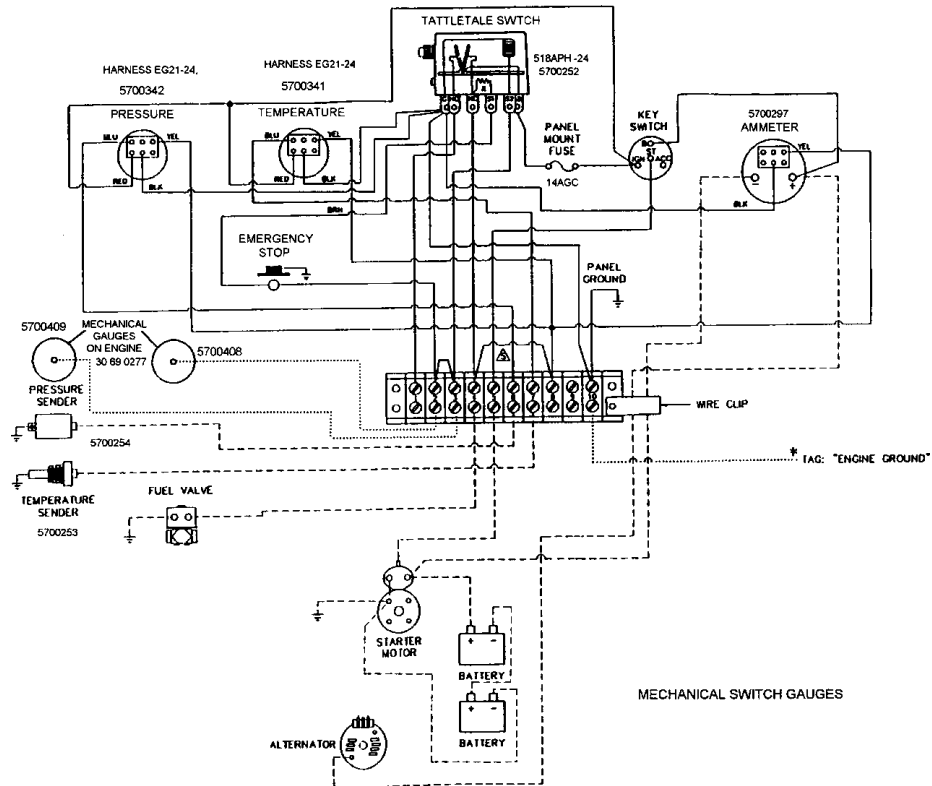
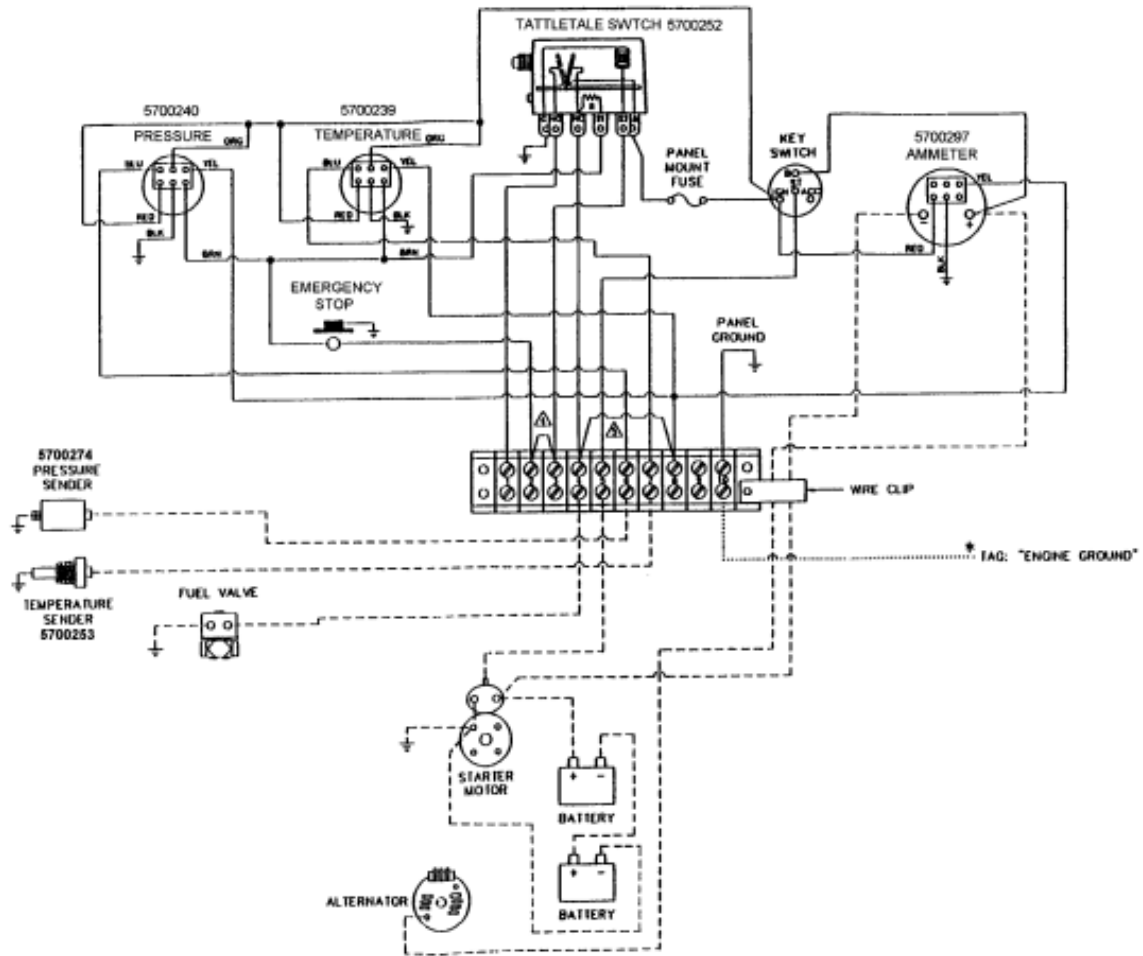
TUB COVER OPTION SCHEMATIC



MURPHY PANEL



MURPHY SYSTEM - MECHANICAL ENGINES

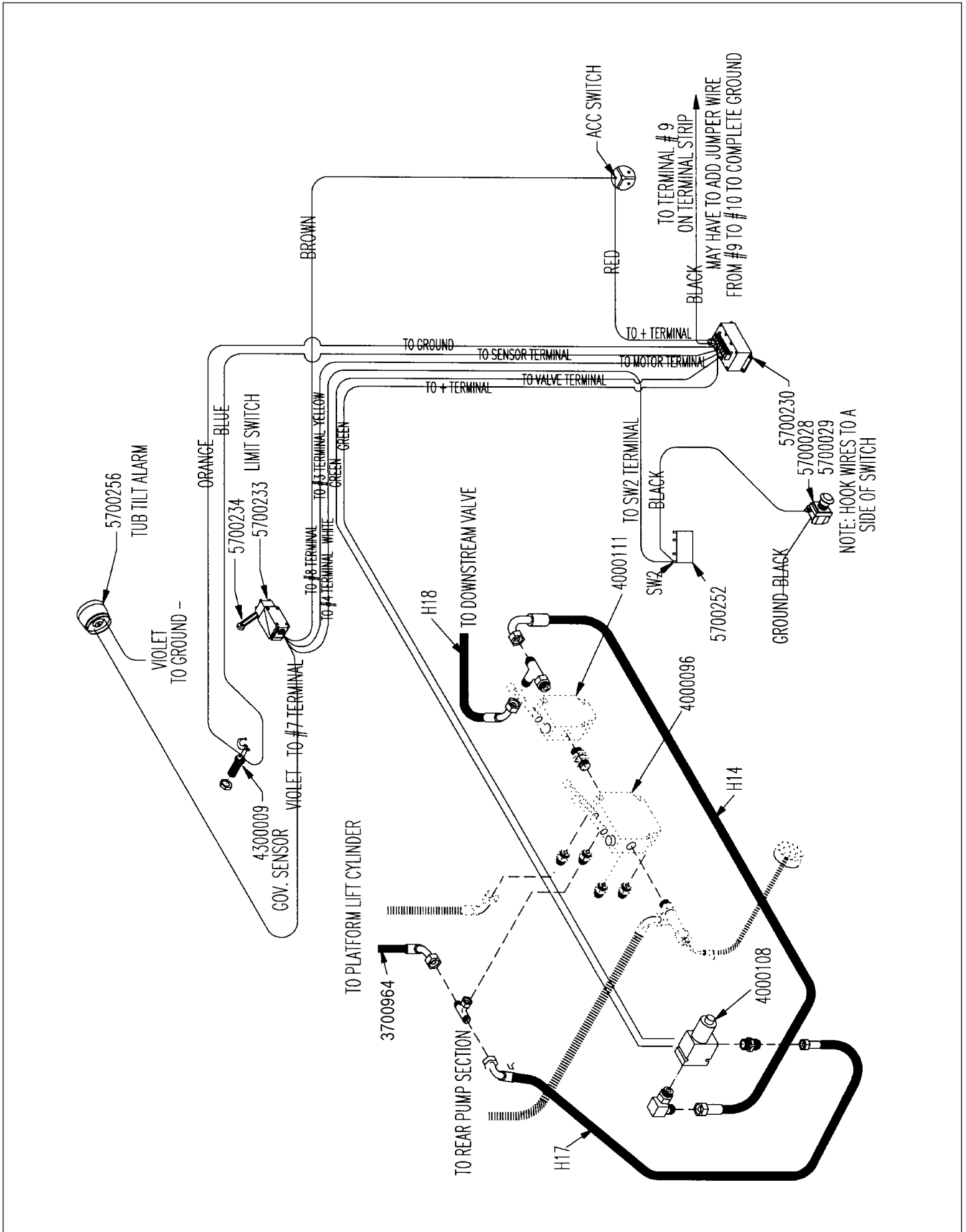


ELECTRICAL PARTS

PART	QTY.	DESCRIPTION
		MURPHY PANEL
4000077		
4000090		BLWR\HYD\12D\12VDC\KIT SN up to HI0090
4000117	1	VALVE\HYD\SOLENOID\24V, REPLACEMENT FOR 4000105
4000129	1	BLOWER\HYD\12D\24VDC\KIT for SN HI0091 and up
4000130	1	VALVE\HYD\SOLENOID\24V, REPLACEMENT FOR 4000108
4000131		VALVE\HYD\SOLENOID 24V\REPLACEMENT COIL FOR VALVE 4000097
4000199	1	VALVE\HYD\CARTRIDGE&SOLENOID 24V\REPLACEMENT FOR 4000097
4000203		VALVE\HYD\CART\PILOT
4300009	1	SENSOR\MAGW/HARDWARE
4300010		VALVE\SOLENOID\12V REPLACEMENT FOR 4300058 SN up to HI0090
4300034	1	NEW STYLE CONTROL BOX RBC93
4300052	1	SWITCH\THRMOSTTC\140DEG>
4300054	1	VALVE\SOLENOID\24V REPLACEMENT FOR 4300061 and 4300069 for SN HI0091 and up
4300057		HARN\GOV\ELEC\HD12-IV W/LODR
4300059		HARN\GOV\ELEC\HD12-IV
5700028		SWITCH\MAINT\PB\RED\MUSH>
5700091	1	LAMP\LED\24VDC\RED
5700092	1	LAMP\LED\24VDC\GRN
5700095	2	SELECTOR SWITCH 8511K15 SN up to HI0090
5700216		MTR\ELEC\FRCTNL\12VDC REPLACEMENT FOR 4000090, SN up to HI0090
5700224		RADIO\REMOTE\CONTROL\7B\COMP\24V
5700230	1	BOX\CNTRL\SAFETY SHUTDOWN
5700233	1	SWITCH\LIMIT\802T-ATP
5700239		ELEC\GAUGE\SWITCH\WATER\MURPHY^
5700240		ELEC\GAUGE\SWITCH\OIL\MURPHY^
5700252	1	ELEC\SWITCH\MAGNETIC\TAT\24V
5700253	1	SENDING UNIT\WATER TEMP
5700254	1	SENDING UNIT\PRESSURE
5700255	1	IGNITION SWITCH CAT
5700256	1	ELEC\ALARM\BACK-UP\
5700270		ALT\78AMP\12V\213-4350 SN up to HI0090
5700271	1	RELAY\CONT:DUTY\24V\ST-88
5700286	1 OR 2	SWITCH\TOG\DPDT\15A\ON-OFF-ON for SN HI0091 and up
5700290	2	TERMBAR\BUS\8-POLE
5700291		BRKER CIRCUIT\10A\AUTO
5700292		BRKER CIRCUIT\30A\AUTO\24V for SN HI0091 and up
5700293		BRKER CIRCUIT\50A\AUTO\12V SN up to HI0090
5700297	1	GAUGE\AMP\CAT\EQ21AM6012
5700309	1	FUSE\AGC-14
5700313		MTR\ELEC\FRCTNL\24VDC REPLACEMENT FOR 4000129, SN HI0091 and up
5700341		GAUGE\TEMP\ELEC\READ\250\ SIZE21
5700342		GAUGE\PRESS\ELEC\READ\100\SIZE21
5700365		RELAY\CONT:DUTY\12V\ST-85
5700368	1	GAUGE\TACH\CAT\9X1117
5700408		GAUGE\PRESS\OIL\MECH\SW
5700409		GAUGE\TEMP\MECH\SWITCH
5700497		SWITCH\IGN\CAT\SPADE;TERM
5700498		SWITCH\IGN\CAT\SCREW;TERM
5700499		GAUGE\PRESS\OIL\12V\550P\HOOD CAB GAUGE
5700500		SNSR\PRESS\OIL\CAT\HOOD
5700501		GAUGE\TEMP\ELEC\12V\230F\
5700502		SNSR\TEMP\CAT\HOOD
7500637		THROTTLE CABLE 10FT
7500674		THROTTLE CABLE CAT 80"
7500681		GAUGE\FUEL\12V\HD12\W/LOW INDICATOR LIGHT SN up to HI0090
7500682	1	GAUGE\FUEL\SENDING\HD12
7500706	1	GAUGE\FUEL\24V\HD12 for SN HI0091 and up

Note: The difference between 4300010 and 4300054 is 4300010 is a 12 volt solenoid, 4300054 is a 24 volt solenoid. Both are Elwood, 160261-xx6 or 160261-xx9. The 6 identifies a 12 volt solenoid, while 9 identifies a 24 volt solenoid. Newer Solenoids are stamped 12 volt or 24 volt.

TUB-TILT INTERLOCK SCHEMATIC

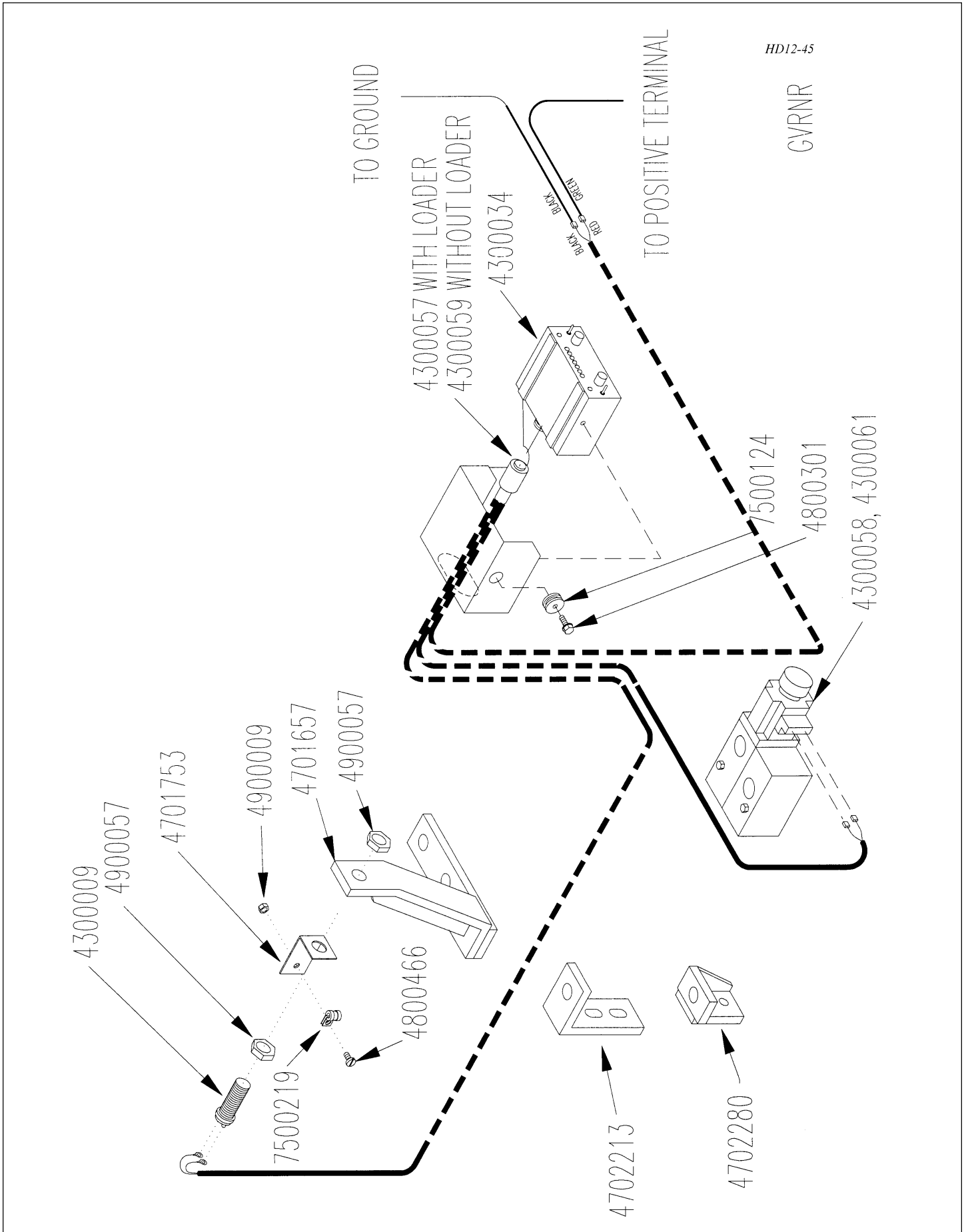


TUB-TILT INTERLOCK SCHEMATIC

PART	QTY.	DESCRIPTION
		SHUTDOWN
3700964		HOSE\HYD\1\2X24\7\8MJICX3\4FJIC
4000108	1	VALVE\ELEC\30GPM\24V\2POS
4000130	1	VALVE\HYD\SOLENOID\24V, REPLACEMENT FOR 4000108
4300009	1	SENSOR\MAG\W\HARDWARE
5700028	1	SWITCH\MAINT\PB\RED\MUSH>
5700029	1	LEGEND PLATE 800T-X618
5700230	1	BOX\CNTRL\SAFETY SHUTDOWN
5700233	1	SWITCH\LIMIT\802T-ATP
5700234	1	LEVER\LIMIT\SWITCH\802T-2
5700252	1	ELEC\SWITCH\MAGNETIC\TAT
5700256	1	ELEC\ALARM\BACK-UP\

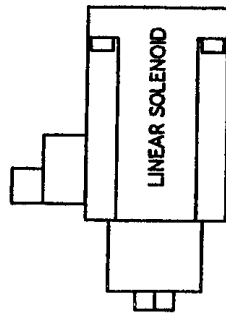
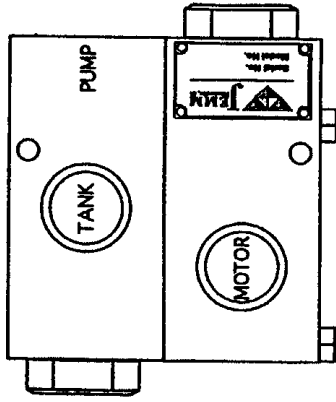
ELECTRIC GOVERNOR SYSTEM

HD12-45



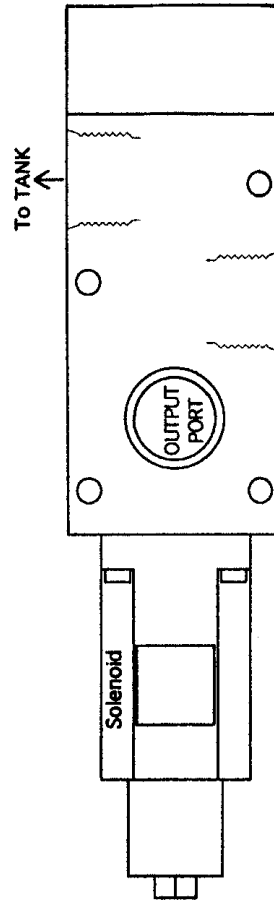
ELECTRIC GOVERNOR SYSTEM

PART	QTY.	DESCRIPTION
		GVRNR
4300009	1	SENSOR\MAG\W/HARDWARE
4300010		VALVE\SOLENOID\12V REPLACEMENT FOR 4300058
4300034	1	NEW STYLE CONTROL BOX RBC93
4300053		VALVE\SOLENOID\24V REPLACEMENT FOR 4300061
4300057	1	WIRING HARNESS HD12 (For loader option)
4300058	1	VALVE\ELEC\HYD\25GPM\12V-SN GI0081 TO HI0090
4300061	1	VALVE\ELEC\HYD\25GPM\24V-SN HI0091 AND UP
4300069		VALVE\SERVO\25GPM\24V\CU98 SEE PAGE 90-91
4701657	3	MNT\SENSOR\RH-SN GI0081 TO HI0090
4701753	1	BRKT\WIRE\SNSR
4702213	1	BRKT\SNSR\RTR\HD12IV-SN HI0091 AND UP
4800154	1	SCR\PAN\SLOT\1/4X1/2\ST
4800301	2	SCR\FLNG\SERR\1/4X3/4\NC
4900009	1	NUT\HEX\1/4\NC
4900057	2	NUT\JAM\3/4\NF
7500124	2	GROMMETT\RUBBER
7500219	1	1/4" WIRE CLAMP
4702280	1	BRKT\SNSR\RTR\HD121V\650HP



CV93

Valves 4300058 & 4300061



CV98

Valves 4300069 (was 4300061)

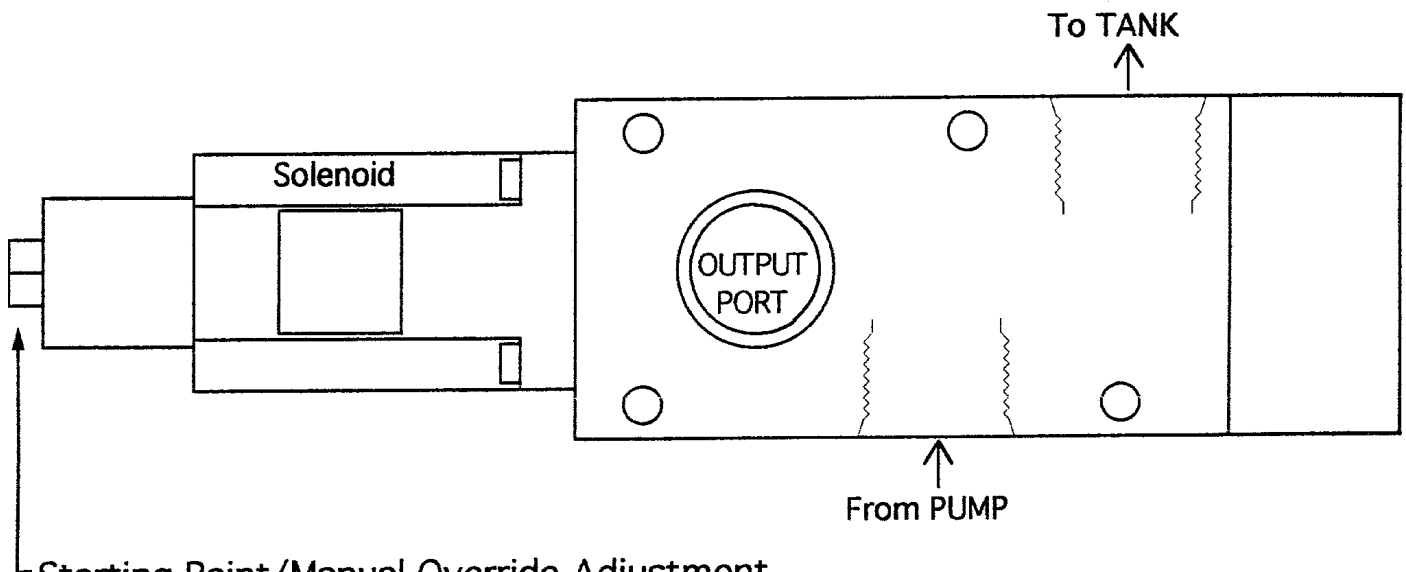
HD12 HYDRAULIC ELECTRICAL SOLENOID PARTS

PART	QTY.	DESCRIPTION
		CV93
4200058		VALVE\SERVO\25GPM\12V
4300061		VALVE\SERVO\25GPM\24VDC
		CV98
4300069		VALVE\SERVO\25GPM\24VDC
4300010		SOLENOID\HYD VALVE\12V, SEE NOTES BELOW
4300054		SOLENOID\HYD VALVE\24V, SEE NOTES BELOW

NOTE: THE DIFFERENCE BETWEEN THE 12 VOLT AND 24 VOLT SOLENOID IS LISTED ON THE SERIAL NUMBER PLATES. THE SOLENOIDS ARE ELWOOD 160261--xx6 or 160261--xx9. THE 6 IS A 12 VOLT SOLENOID, THE 9 IS A 24 VOLT SOLENOID. ALSO, 12 OR 24 ARE STAMPED ON THE NEWEST SERIAL NUMBER PLATES.

NOTE: 15 GPM IS STANDARD FLOW RATE. ANY VALVES THAT ARE NOT 15 GPM ARE TO BE STAMPED IN METAL OF THE VALVE CASING NEXT TO THE SERIAL NUMBER INDICATING THE FLOW RATE, E.G. 25 INDICATES 25 GPM.

NOTE: CV98, SERIAL NUMBERS 0228, 0229, 0230, 0231, AND 0232 ARE 25 GPM, BUT ARE NOT STAMPED 25 GPM.



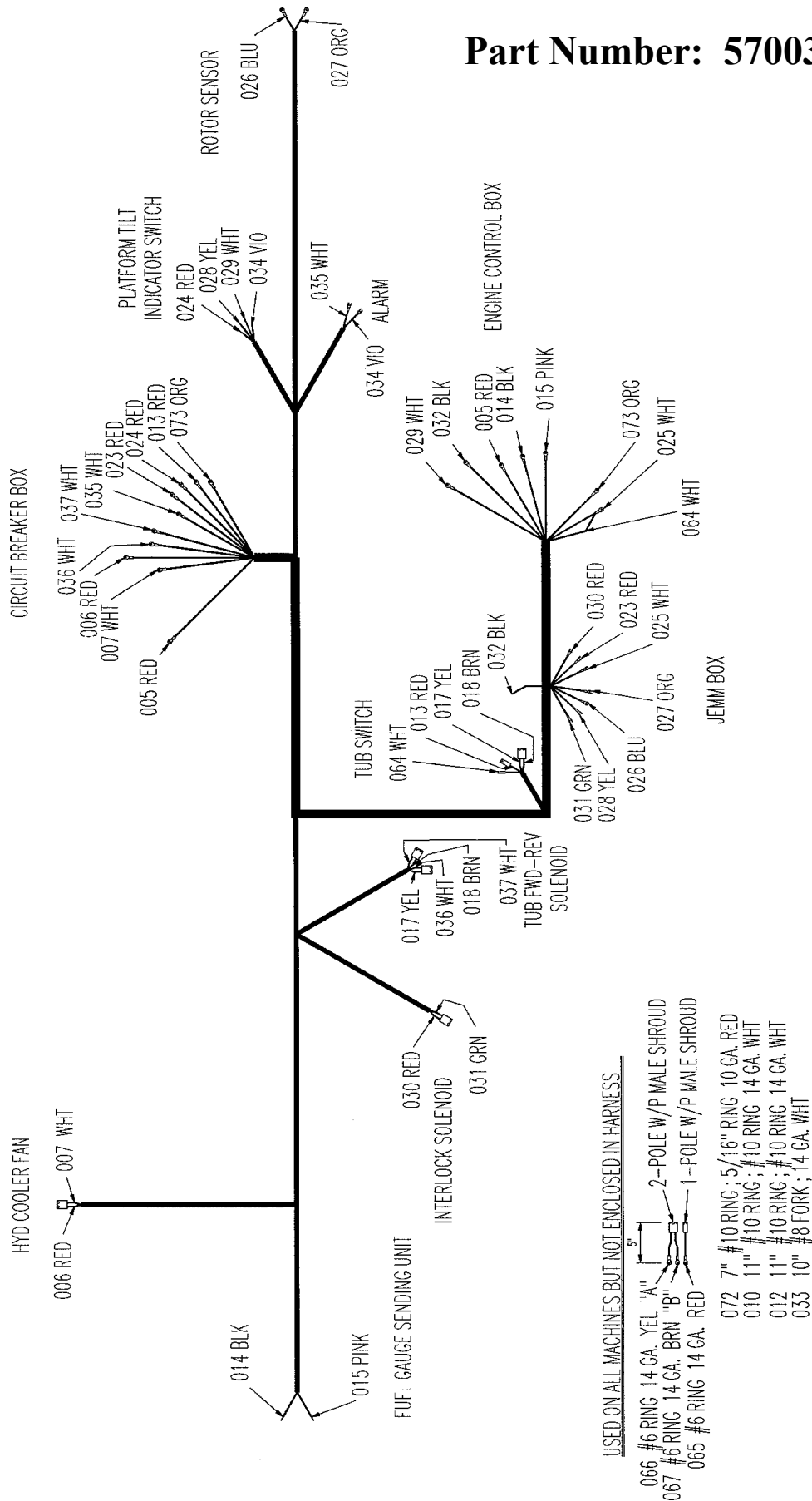
Starting Point/Manual Override Adjustment

The starting point is preset to 0 GPM. If any further adjustment is required;
 1- Loosen jam nut. 2- Turn the adjusting screw clockwise to increase the flow or counter clockwise to decrease flow. 3- Gently tighten the jam nut.

WARNING- If the adjusting screw is turned to far counter clockwise, the valve will behave erratically or stop working all together. Turn the adjusting screw no more than 1/16 to 1/8 of a turn counter clockwise after flow has stopped.

For manual operation when electrical control fails, turn the adjusting screw clockwise until the desired constant flow is obtain.

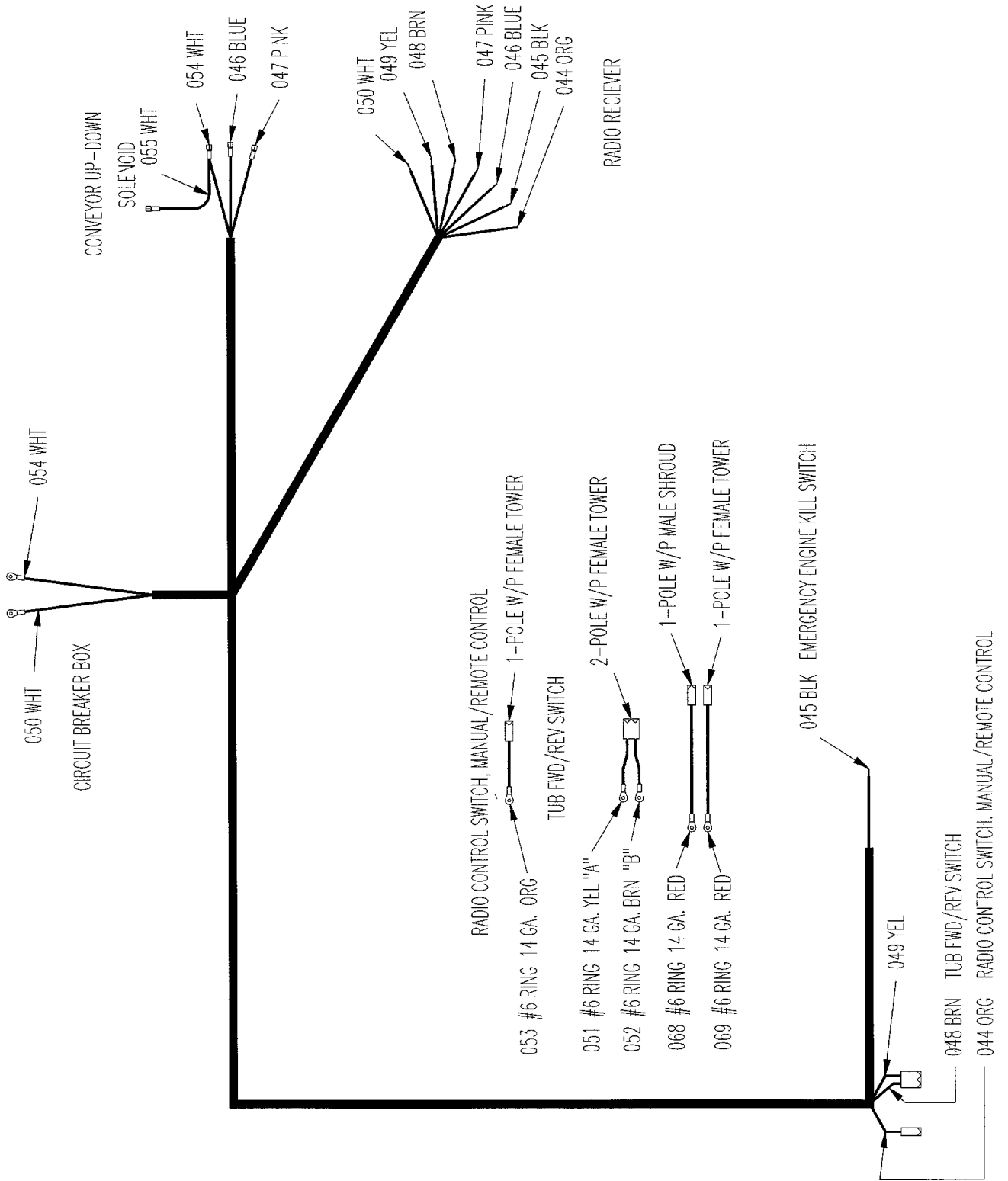
Part Number: 5700306



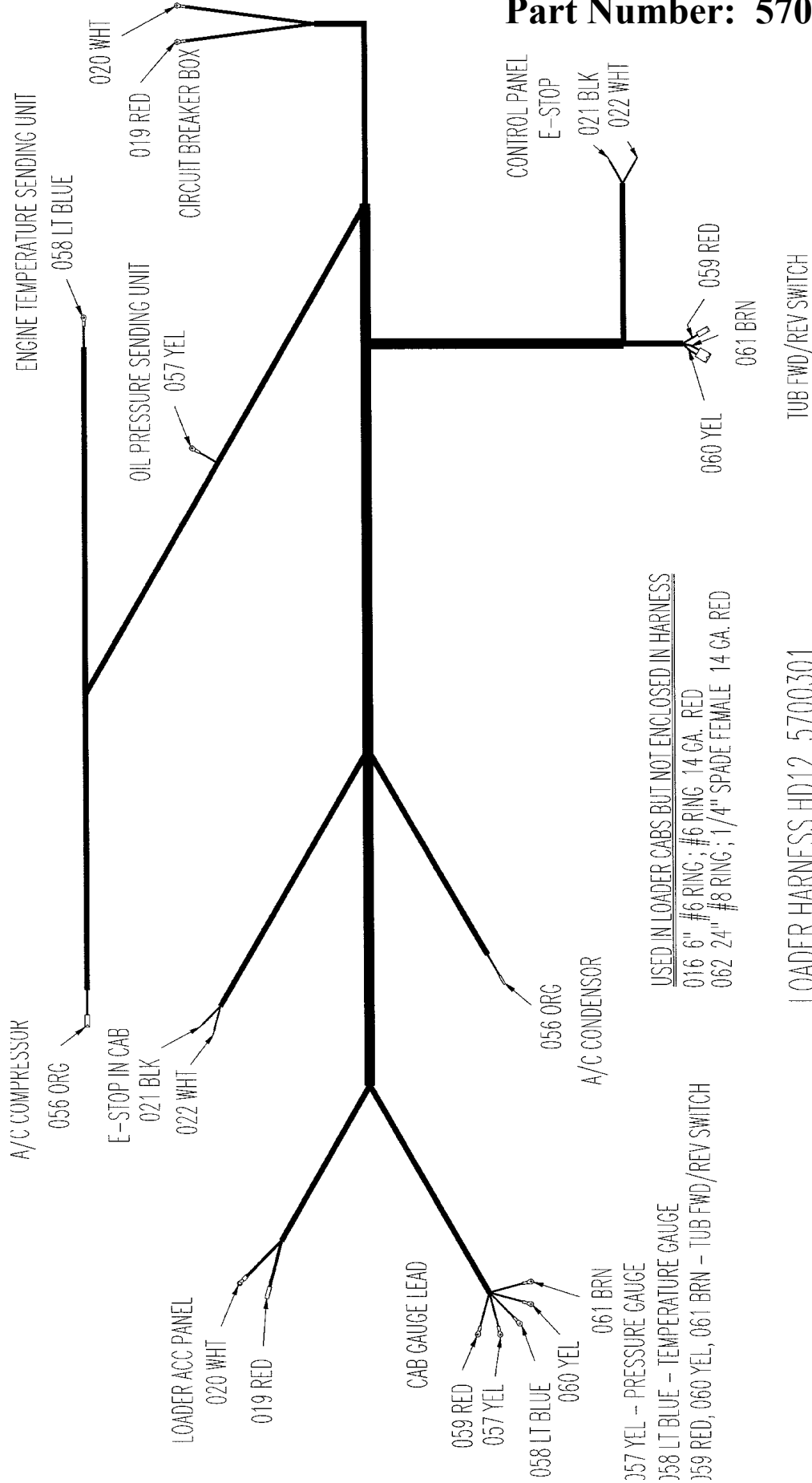
USED ON ALL MACHINES BUT NOT ENCLOSED IN HARNESS

- 066 #6 RING 14 GA. YEL "A"
- 067 #6 RING 14 GA. BRN "B"
- 065 #6 RING 14 GA. RED
- 072 7" #10 RING; 5/16" RING 10 GA. RED
- 010 11" #10 RING; #10 RING 14 GA. WHT
- 012 11" #10 RING; #10 RING 14 GA. WHT
- 033 10" #8 FORK; 14 GA. WHT

Part Number: 5700300

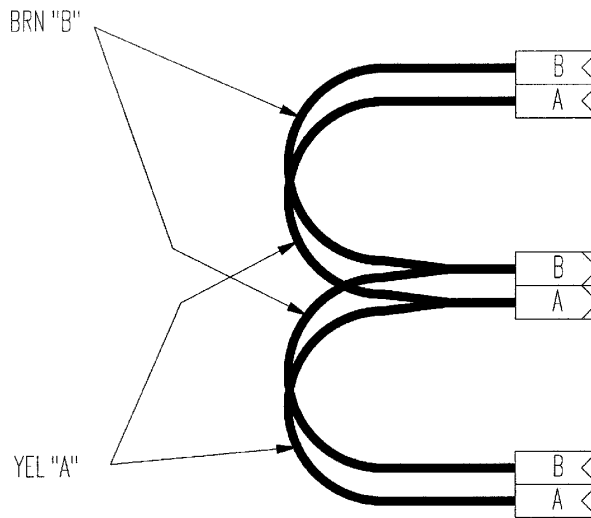


Part Number: 5700301



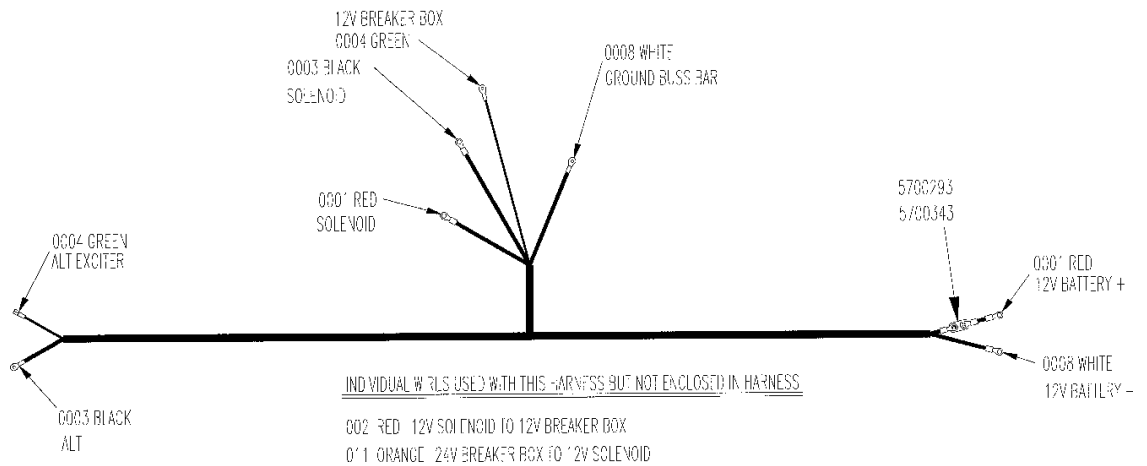
USED IN LOADER CABS BUT NOT ENCLOSED IN HARNESS
 016 6" #6 RING; #6 RING 14 GA. RED
 062 24" #8 RING; 1/4" SPADE FEMALE 14 GA. RED

Part Number: 5700302



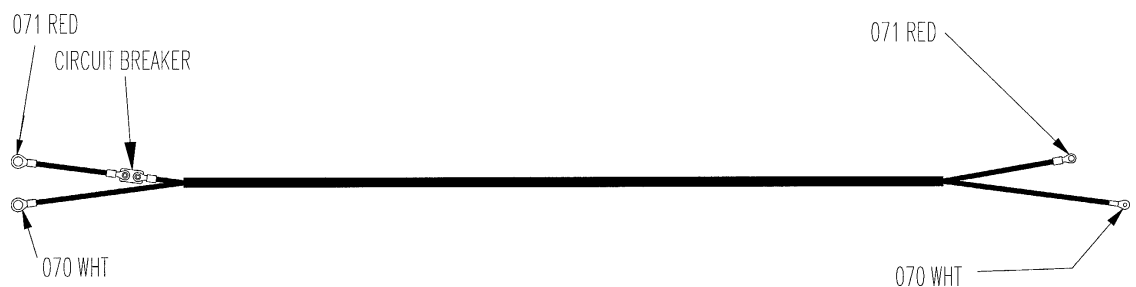
LOADER POWER HARNESS

Part Number: 5700307

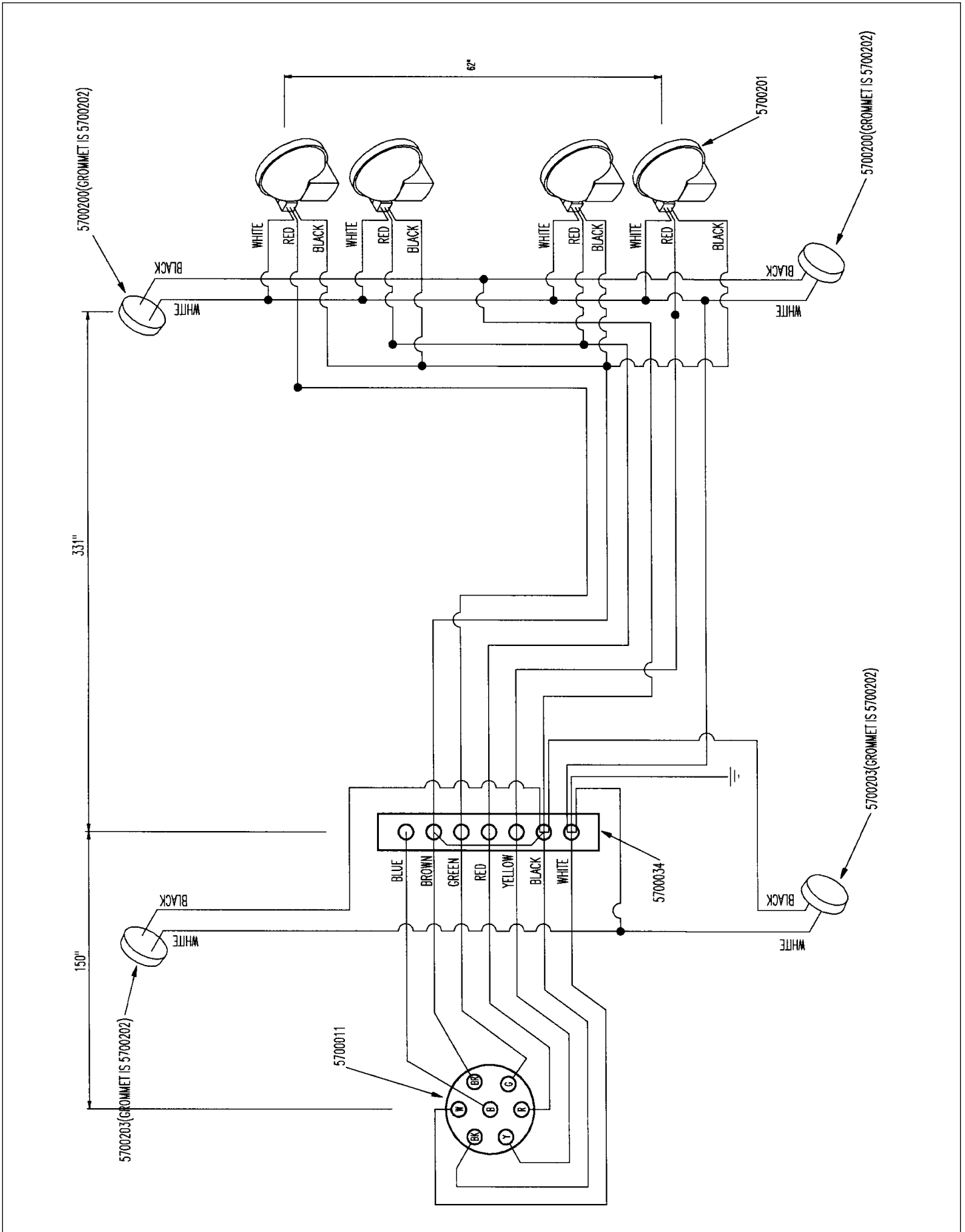


POWER SUPPLY HARNESS 24V S.N. HI0101 & UP

Part Number: 5700339



ROAD LIGHTS



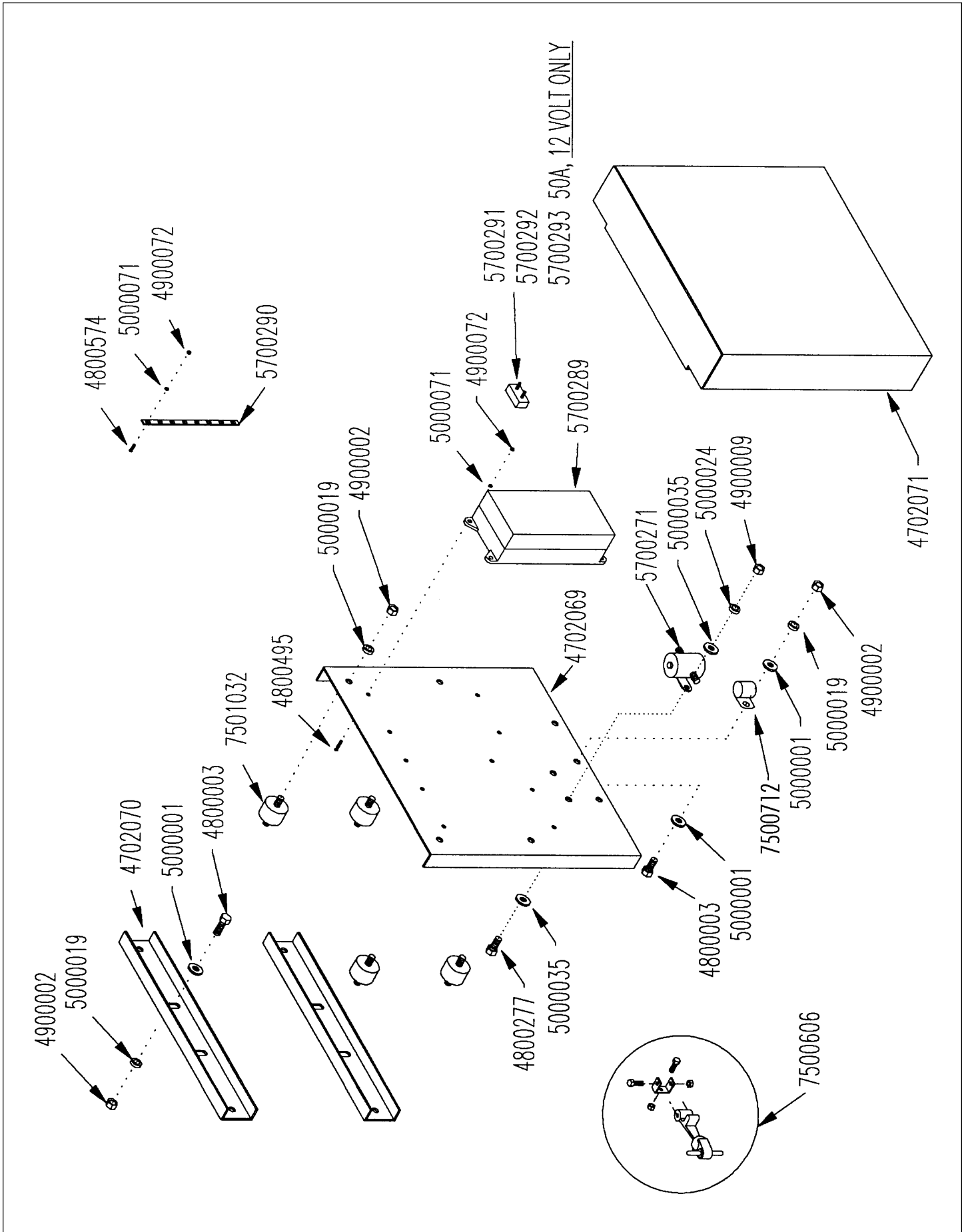
ROAD LIGHTS

<u>PART</u>	<u>QTY.</u>	<u>DESCRIPTION</u>
		LIGHTS
5700011	1	TERMFEMALE\7POLE\TRLR\>
5700034	1	ENCL\JCT\7POLE\TRLR\HARN
5700200	2	LAMP\CL\12VDC\2-1/2RD\>
5700201	4	LAMP\TAIL\4-1/2\COMP\RED>
5700202	4	LAMP\GRMMT\2-1/2\KIT\>
5700203	2	LAMP\CL\12VDC\2-1/2RD\>

RADIO REMOTE TUB CONTROL WIRING SCHEMATIC SN GI0080 - GI0086

PART	QTY.	DESCRIPTION
		REMDBAND
4000077		VALVE\HYD\CARTRIDGE 24V\REPLACEMENT FOR 4000097
4000097	1	VALVE\HYD\20GPM\1SPL\24V
5700091	2	LAMP\LED\24VDC\RED
5700092	2	LAMP\LED\24VDC\GRN
5700095	2	SELECTOR SWITCH 8511K15
5700224	1	RADIO\REMOT\CONTROL\7B\COMP\24V
5700280		RADIO\REMOT\CONTROL\7B\COMP\12V
4000131		VALVE\HYD\SOLENOID\25V\REPLACEMENT\SOLENOID FOR VALVE 4000097

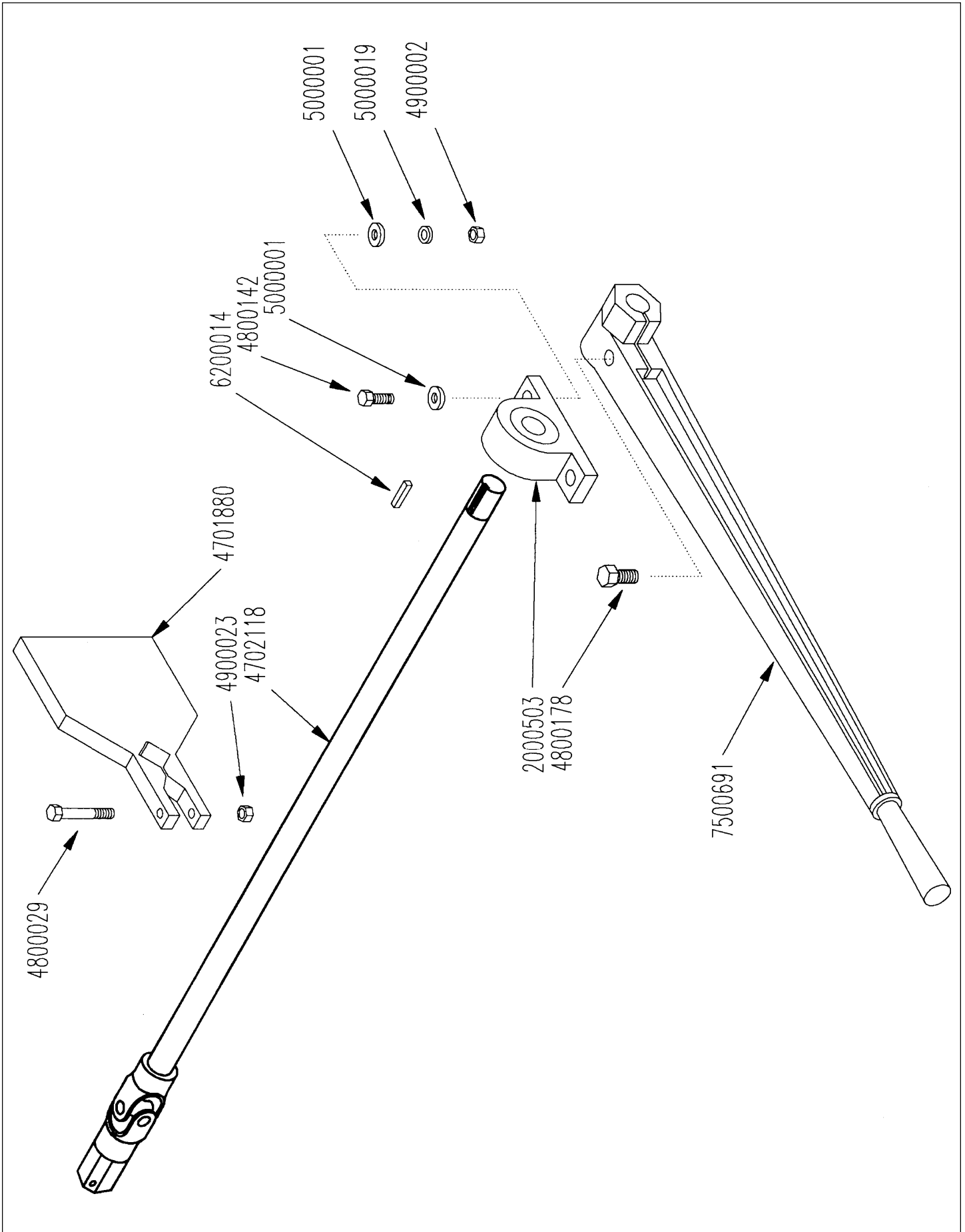
CIRCUIT BREAKER



CIRCUIT BREAKER

PART	QTY.	DESCRIPTION
4702072		ENCL\BRKR\CRCT\ASSY98
4702069	1	ENCL\BCKPL\BRKR\CRCT
4702070	2	BRKT\ENCL\BRKR\CRCT
4702071	1	COV\ENCL\BRKR\CRCT
4800003	5	BOLT\HEX\3/8X1-1/4\NC
4800277	2	BOLT\HEX\1/4X1
4800495	4	SCR\RD\SLOT\#10-24X3/4\NC
4800574	8	SCR\RD\SLOT\#10-24X1/2\NC
4900002	13	NUT\HEX\3/8\NC
4900009	2	NUT\HEX\1/4\NC
4900072	20	NUT\HEX\#10\NC
5000001	6	WASH\FLAT\3/8
5000019	13	WASH\LOCK\3/8
5000024	2	WASH\LOCK\1/4
5000035	4	WASH\FLAT\1/4
5000071	20	WASH\LOCK\EXT;STAR\#10
5700271	1 OR 2	RELAY\CONT:DUTY\24V\ST-88
5700289	1 OR 2	ENCL\BRKR\CRCT\7-POLE
5700290	2 OR 3	TERMBAR\BUS\8-POLE
5700291	4	BRKR\CRCT\10A\AUTO\TYPE1>
5700292	1	BRKR\CRCT\30A\AUTO\TYPE1\24VOLT
5700293	1	BRKR\CRCT\50A\AUTO\TYPE1\12VOLT UP TO SN HI0090
5700306	1	HARN\MAIN\HD12\IVPKG\>
7500606	2	LATCH\35-M\AUSTIN
7500712	1	CLAMP\CUSHION\HD\3/4
7501032	4	CUSH\RBRR\2-1/4X1-1/2\>

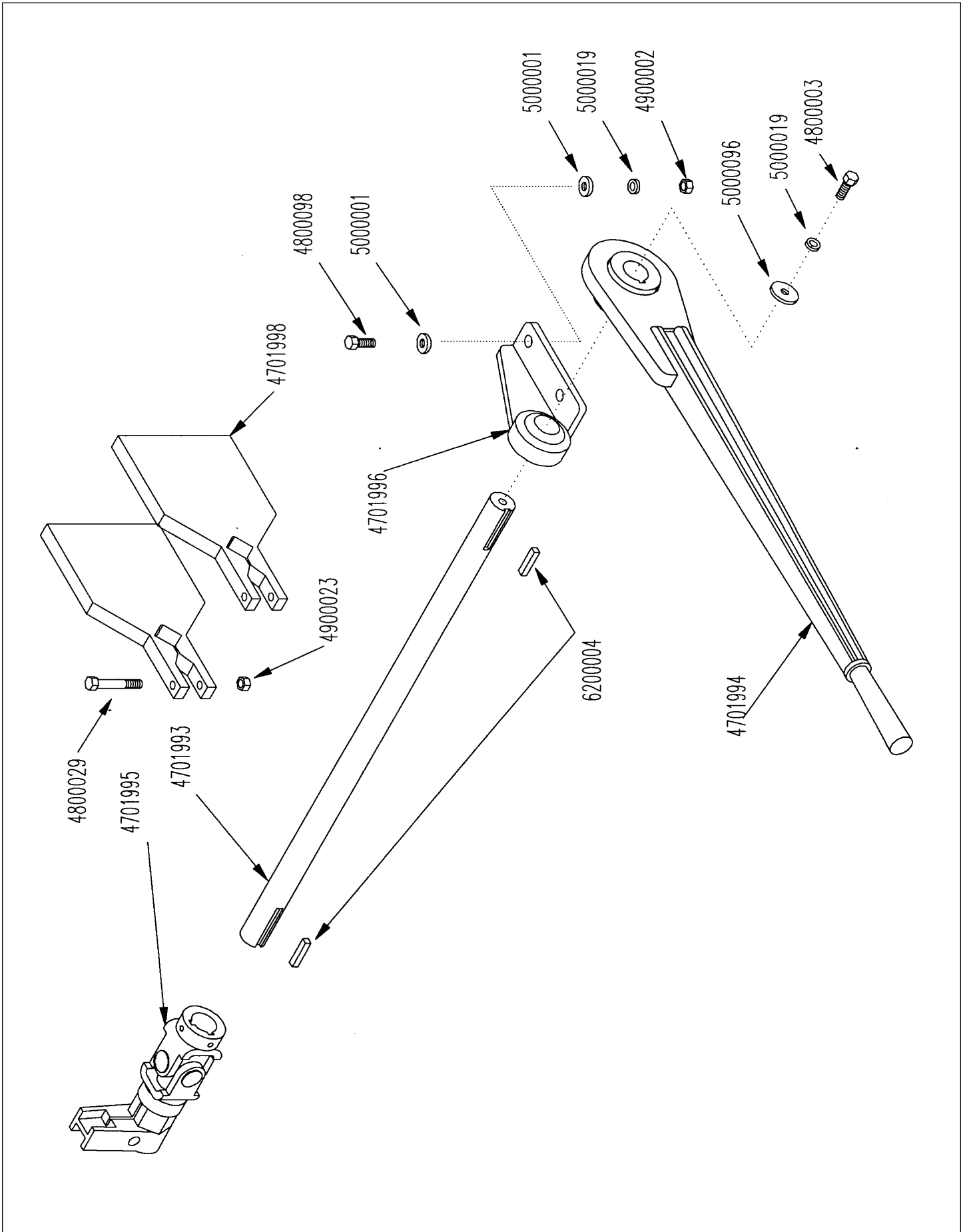
314 CLUTCH HANDLE



314 CLUTCH HANDLE

<u>PART</u>	<u>QTY.</u>	<u>DESCRIPTION</u>
4702034		CLUTCH\314\LEVER\ASY
2000503	1	BRG\PB\1
4701880	1	WT\CNTR\HNDL\CLUTCH
4702118	1	LINKAGE\HNDL\CLUTCH\36
4800029	1	BOLT\HEX\3/8X2-1/2
4800142	2	BOLT\HEX\3/8X1-3/4
4800178	1	BOLT\HEX\1/2X1-3/4
4900002	2	NUT\HEX\3/8\NC
4900023	1	NUT\TPLCK\3/8\NC
5000001	4	WASH\FLAT\3/8
5000019	2	WASH\LOCK\3/8
6200014	1	KEY\SQ\1/4X1-1/4
7500691	1	LEVER\CLUTCH\SP314\SP214

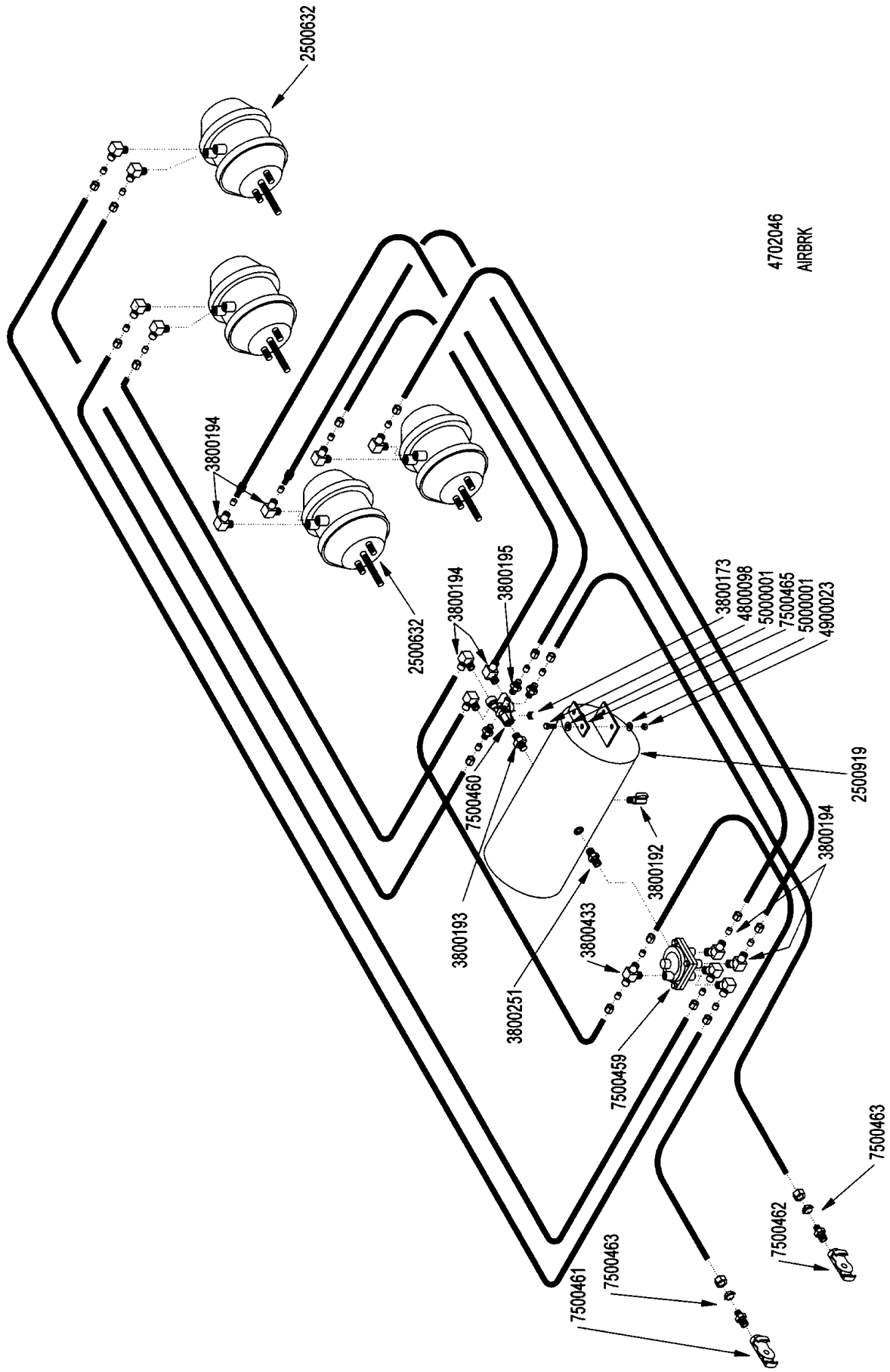
318 CLUTCH HANDLE



318 CLUTCH HANDLE

PART	QTY.	DESCRIPTION
4702035		CLUTCH\318\LEVER\ASY
4701993	2	SHAFT\CLUTCH\OP\>
4701994	1	LVR\CLUTCH\318\MODIFIED
4701995	2	CPLG\U-JOINT\CLUTCH\318
4701996	1	BRG\LEVER\CLUTCH\318
4701998	2	WT\CNTRL\HNDL\CLUTCH\318
4800029	2	BOLT\HEX\3/8X2-1/2
4800098	2	BOLT\HEX\3/8X1-1/4\NC
4900002	2	NUT\HEX\3/8\NC
4900023	2	NUT\TPLCK\3/8\NC
5000001	4	WASH\FLAT\3/8
5000019	3	WASH\LOCK\3/8
6200004	2	KEY\SQ\5/16X1-1/2
5000096	1	WASH\FLAT\SPCL\13/32X7GAX1-1/2OD
4800003	1	BOLT\HEX\3/8X1

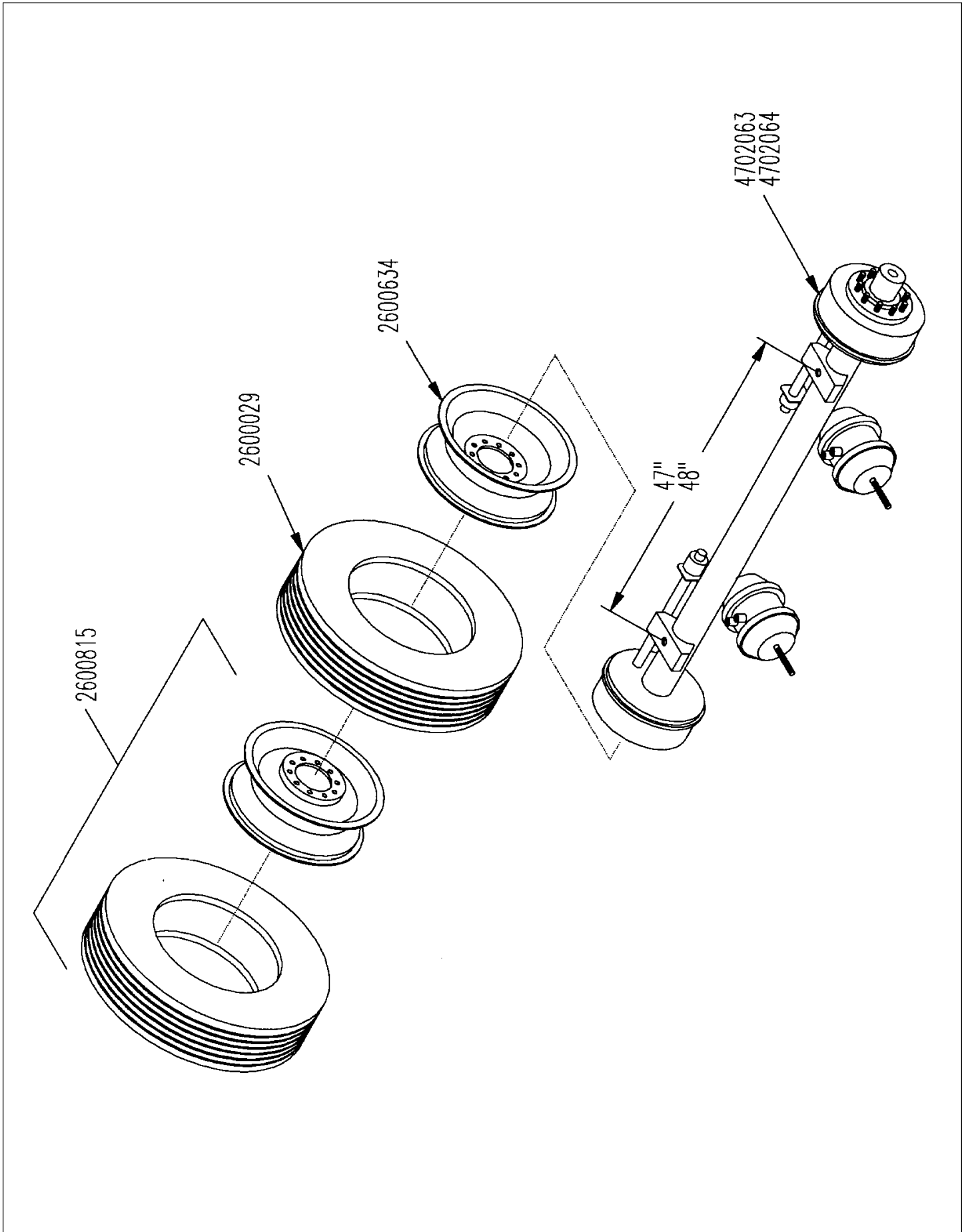
AIRBRAKE AND FITTINGS



AIRBRAKE AND FITTINGS

PART	QTY.	DESCRIPTION
4702046		BRKS\AIR\ASSY\SUB\HD12\97
2500632	4	30\30 AIR CHAMBER W/HARD
2500919	1	TANK\AIR\2880\1BUNG\2SIDE
3800173	1	FTG\3/8MP\PLUG\HEX
3800192	1	FTG\TANK;DRAIN\6204-4
3800193	1	FTG\3/4MPX1/2MP\NPL
3800194	15	FTG\AIR\3/8MPX3/8COMP\90D
3800195	3	FTG\AIR\3/8MPX3/8COMP>
3800251	1	FTG\3/4MPX2\NPL
3800433	1	FTG\AIR\3/8COMPX3/8COMPX>
4800098	4	BOLT\HEX\3/8X1-1/4\NC
4900023	4	NUT\TPLCK\3/8\NC
5000001	8	WASH\FLAT\3/8
7500459	1	SPRING BRAKE VALVE (6100)
7500460	1	SERVICE RELAY VALVE
7500461	1	GLAD HAND SERVICE
7500462	1	GLAD HAND EMERGENCY
7500463	2	TERMINAL BOLT GALS HAND
7500465	2	TANK CUSHION

AXLE ASSEMBLY



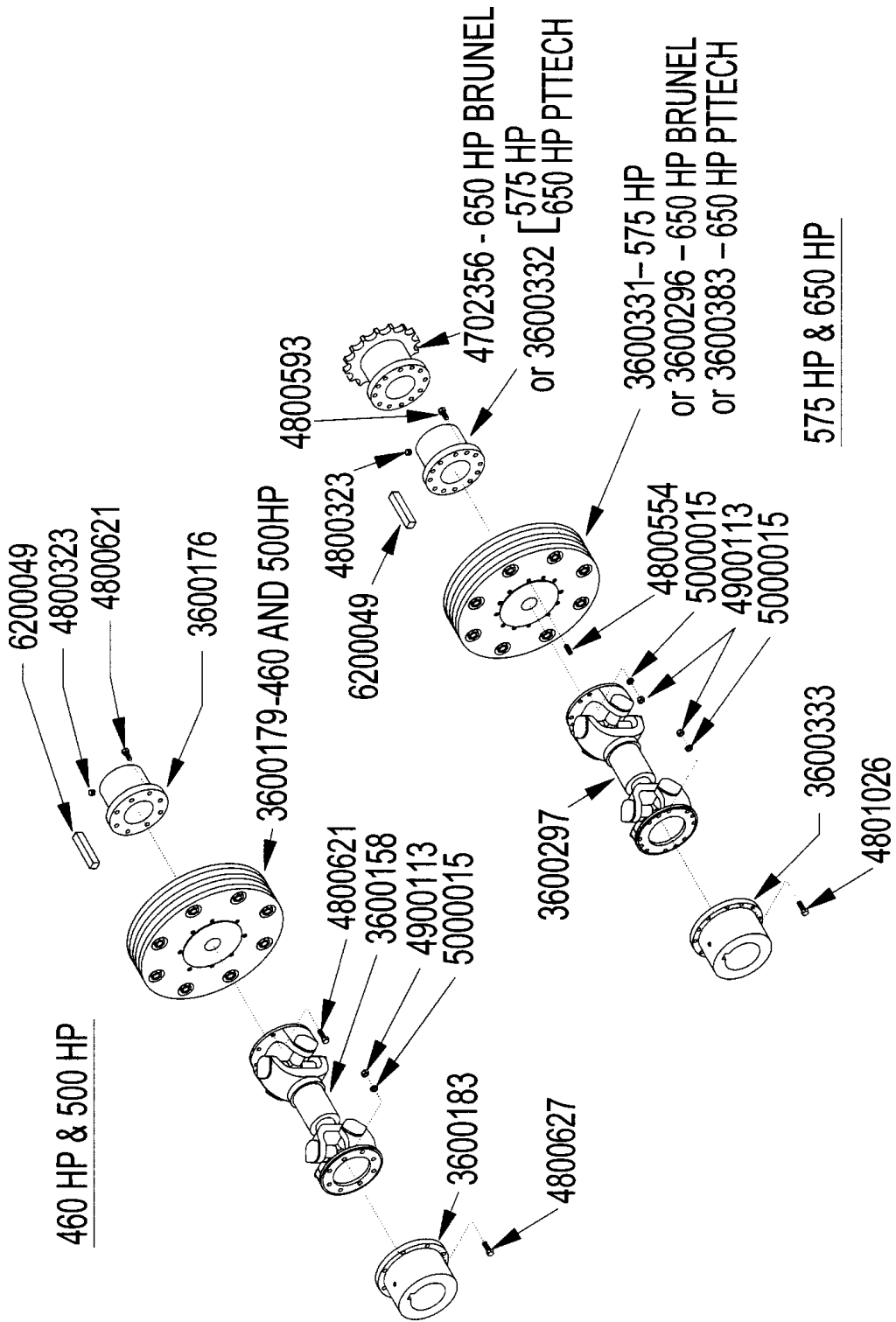
AXLE ASSEMBLY

<u>PART</u>	<u>QTY.</u>	<u>DESCRIPTION</u>
4702021		AXLE\ASY\HD12\97
2600029		255\70R 22.5 TIRE
2600634		22.5 X 8.25 10 BOLT RIM
2600815	8	22.5 X 8.25 10 BOLT COMP.
4702063		AXLE\22.5K\79.5HUBFC\47"\SPRG;C/L S/N GI0081 TO GI0085
4702064	2	AXLE\22.5K\79.5HUBFC\48"\SPRG;C/L S/N GI0086 AND UP

Not Shown

2500602		AXLE\TNDM\SUS\22.5K\49"
2500638		AXLE\22.5K\79-1/2HUBFACE>
2500906		CAP\OIL\W-VENT\20K\STEEL
2500952		CAP\OIL\W-VENT\20K\PLSTC
2500954		SPRING\LEAF\22.5K\3LEAF

DRIVE LINE ASSEMBLIES



DRIVE LINE ASSEMBLIES

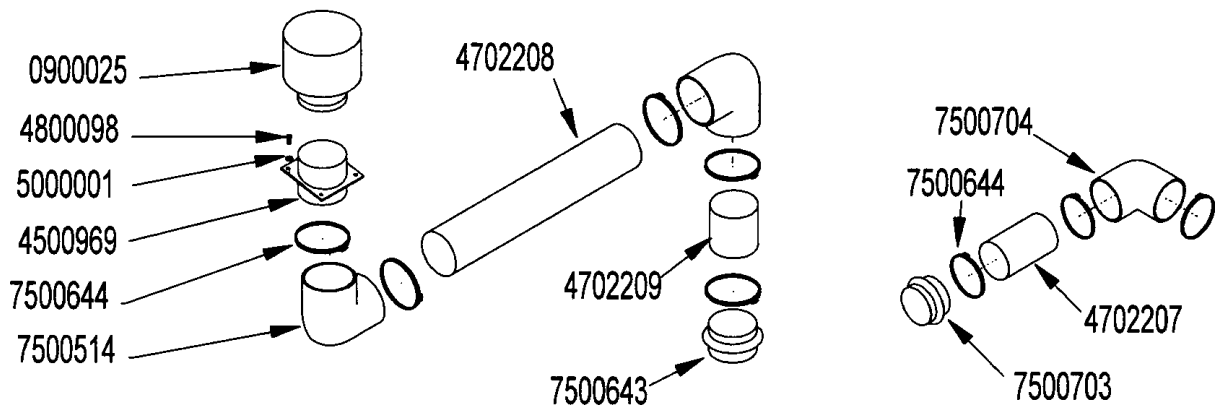
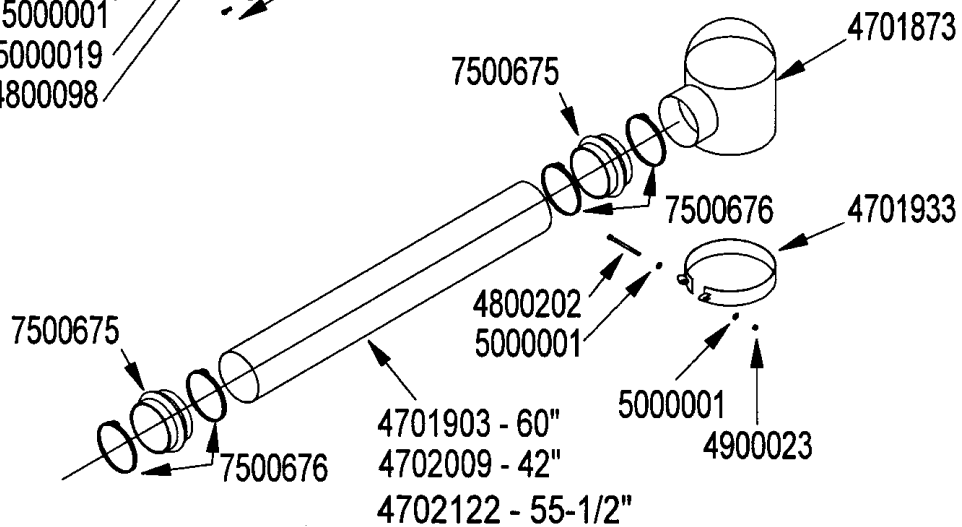
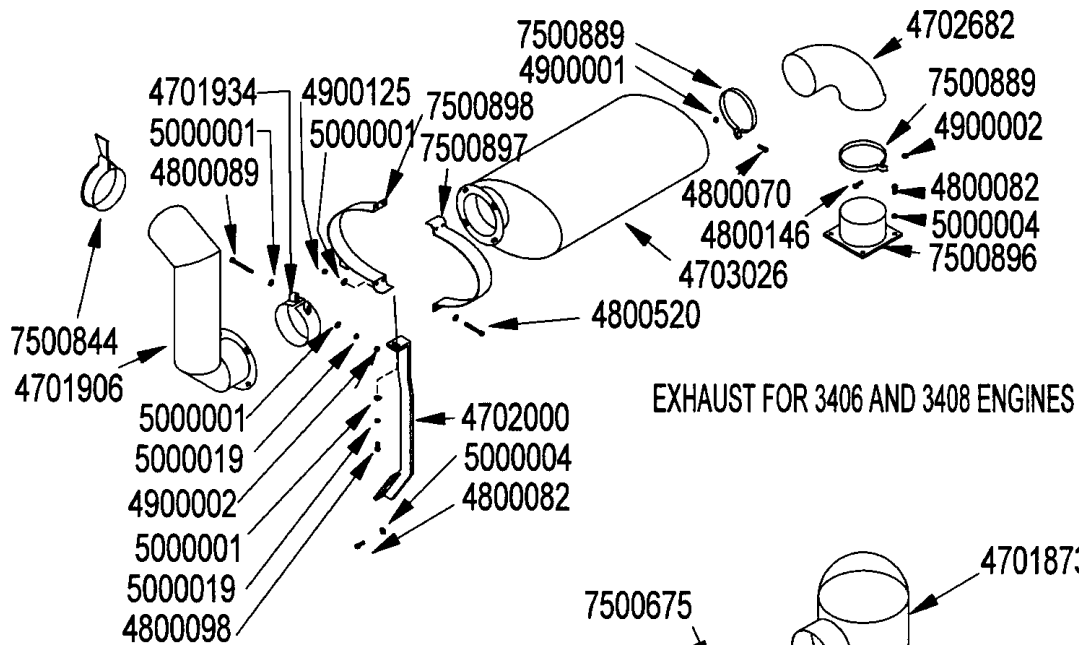
PART	QTY.	DESCRIPTION
4702026		DRLINASY\HD12\97\500
3600158	1	"1710 DRIVELINE 18" COMP"
3600176	1	FLG\4IDX4L\1710\DRLIN\HUB
3600179	1	TORQUE LIMITER UJT36
3600183	1	FLG\3-1/2IDX4L\1710\DRLIN
4800627	8	SCR\FLG\12PT\7/16X1-1/4\NF\170K
4800323	4	SCR\SET\ALN\1/2X1\NC
4800621	16	BOLT\HEX\7/16X1-1/4\NF\GR8
4900113	8	NUT\HEX\7/16\GR8\NF
5000015	8	WASH\LOCK\7/16
6200049	1	KEY\SQ\1X4
3600380		REPAIR KIT FOR TORQUE LIMITER #3600179 (NOT SHOWN)

PART	QTY.	DESCRIPTION
4702027		DRLINASY\HD12\97\575
3600297	1	DRLIN\IND\1810\20-1/2\>
3600331	1	TORQUELIMITOR\575HP\>
3600332	1	FLG\4IDX4L\1810\DRLIN\HUB
3600333	1	FLG\3-15/16X4L\1810\HUB\
4801026	12	SCR\FLG\12PT\7/16X1-1/2\NF\170K
4800323	4	SCR\SET\ALN\1/2X1\NC
4800554	12	BOLT\STUD\7/16X2-1/4\NF
4800593	12	SCR\CAP\ALN\7/16X1-1/4\NF
4900113	24	NUT\HEX\7/16\GR8\NF
5000015	24	WASH\LOCK\7/16
6200049	1	KEY\SQ\1X4

PART	QTY.	DESCRIPTION
4702028		DRLINASY\HD12\97\650
3600296	1	CLTCH\TORQLIM\650HP\>
3600297	1	DRLIN\IND\1810\20-1/2\>
3600333	1	FLG\3-15/16X4L\1810\HUB\
4801026	12	SCR\FLG\12PT\7/16X1-1/2\NF\170K
4800323	4	SCR\SET\ALN\1/2X1\NC
4800554	12	BOLT\STUD\7/16X2-1/4\NF
4800593	12	SCR\CAP\ALN\7/16X1-1/4\NF
4900113	24	NUT\HEX\7/16\GR8\NF
5000015	24	WASH\LOCK\7/16
6200049	1	KEY\SQ\1X4

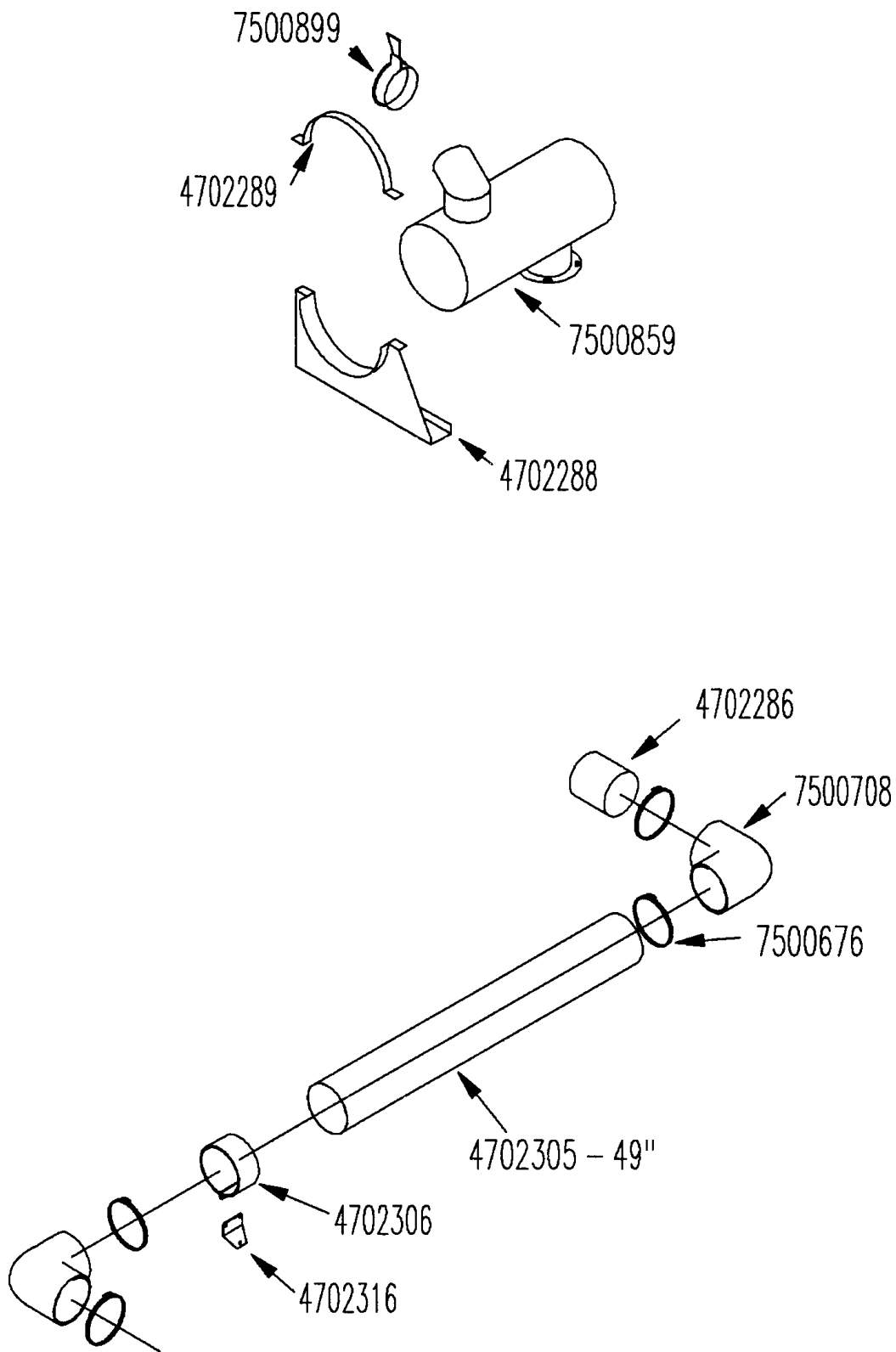
PART	QTY.	DESCRIPTION
		DRLINASY\HD12\97\650
3600296	1	CLTCH\TORQLIM\650HP\BRUNEL
3600297	1	DRLIN\IND\1810\20-1/2\>
3600332	1	FLG\4IDX4L\1810\DRLIN\HUB
3600333	1	FLG\3-15/16X4L\1810\HUB\
3600383		TORQUELIMITOR\650HP\PTTECH
4702356	1	FLG\4IDX4L\BRUNEL\W\SPRCKT\DRLIN\HUB
4801026	12	SCR\FLG\12PT\7/16X1-1/2\NF\170K
4800323	4	SCR\SET\ALN\1/2X1\NC
4800554	12	BOLT\STUD\7/16X2-1/4\NF
4800593	12	SCR\CAP\ALN\7/16X1-1/4\NF
4900113	24	NUT\HEX\7/16\GR8\NF
5000015	24	WASH\LOCK\7/16
6200049	1	KEY\SQ\1X4

ENGINE AIR INTAKE AND EXHAUST



ENGINE AIR INTAKE AND EXHAUST

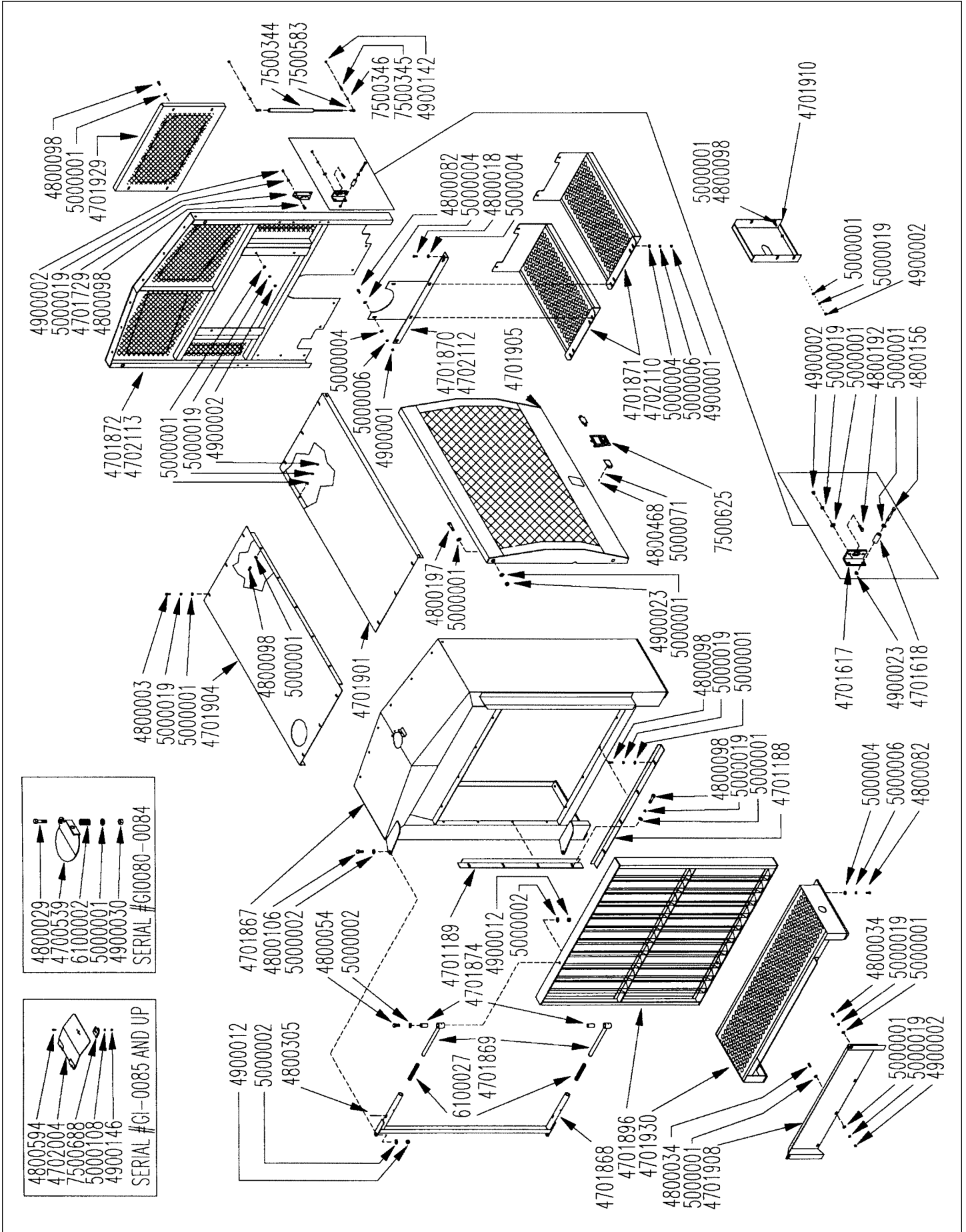
PART	QTY.	DESCRIPTION
4702036		ENG\AIR\DUCT\ASY\HD12\97
0900025	1	TURBO II PRECLEANER 7"
4701873	1	ENCL\INTK\AIR\3408
4701903	1	TUBE\INTK\60\3408\HD12\97
4701906	1	PIPE\EXHAUST\3408
4701933	1	"CLMP\INTK\ELL\13""ID\HD12"
4701934	1	"CLMP\MFFLR\6-5/8""ID\HD12" S/N GI0081-GI0085
4702000	1	BRKT\SUPT\MUFF\3408E
4702009	1	TUBE\INTK\42\3408\HD12\97
4702207	1	TUBE\INTAKE\TURBO\3406\CAT
4702208	1	TUBE\INTAKE\FLTR\AIR\50
4702209	1	TUBE\INTAKE\FLTR\AIR\7
4702682	1	ELB\EXHST\6\90\HD12
4703026	1	MUFFLER\CAT\3408\W;FLANGE
4800070	1	BOLT\HEX\1/2X2-1/2
4800082	6	BOLT\HEX\1/2X1-1/2
4800089	1	BOLT\HEX\3/8X4
4800098	1	BOLT\HEX\3/8X1-1/4\NC
4800146	1	BOLT\HEX\3/8X2
4800202	1	BOLT\HEX\3/8X5
4800520	4	BOLT\HEX\3/8X2\GR8\NF
4900001	1	NUT\HEX\1/2\NC
4900002	2	NUT\HEX\3/8\NC
4900023	1	NUT\TPLCK\3/8\NC
4900125	4	NUT\HEX\3/8\GR8\NF
4900969	1	BRKT\PRECLEANER\TURBOII
5000001	13	WASH\FLAT\3/8
5000004	6	WASH\FLAT\1/2
5000019	2	WASH\LOCK\3/8
7500514	2	FTG\RUBBER\7\ELL\90 DEG
7500643	1	FTG\RUBBER\7\CPLNG
7500644	8	CLAMP\HOSE\7"
7500675	2	FTG\RBBR\8\CPLG
7500703	1	FTG\RUBBER\6\CPLNG
7500704	1	FTG\RUBBER\6\ELL\90 DEG
7500844		CAP\RAIN\3406 &3408
7500889		CLAMP\EXH\6\3408\CAT
7500896		BRKT\EXH\ST\3408\HD12
7500897		CLAMP\MFFLR\3408\HD12
7500898		CLAMP\MFFLR\W\BRKT\3408\ HD12



ENGINE AIR INTAKE AND EXHAUST, CAT 3412, 650 HP

PART	DESCRIPTION
4702286	ENG\AIR\DUCT\ASY\HD12\650 TUBE\INTAKE\8\CAT3412\650HP
4702288	BRKT\MFFLR\3412\650HP
4702289	STRAP\MFFLR\3412\650HP
4702305	TUBE\INTAKE\AIR\CAT3412
4702306	CLAMP\TUBE\INTAKE\AIR\3412
4702316	BRKT\TUBE\AIR\CAT\3412
7500676	CLAMPWORM\10\SWIVEL\LOCK
7500708	FTG\RUBBER\8\90\ELB
7500859	MUFFLER\CAT\3412
7500899	CAP\RAIN\3412
Not Shown	
7501152	MUFFLER GASKET

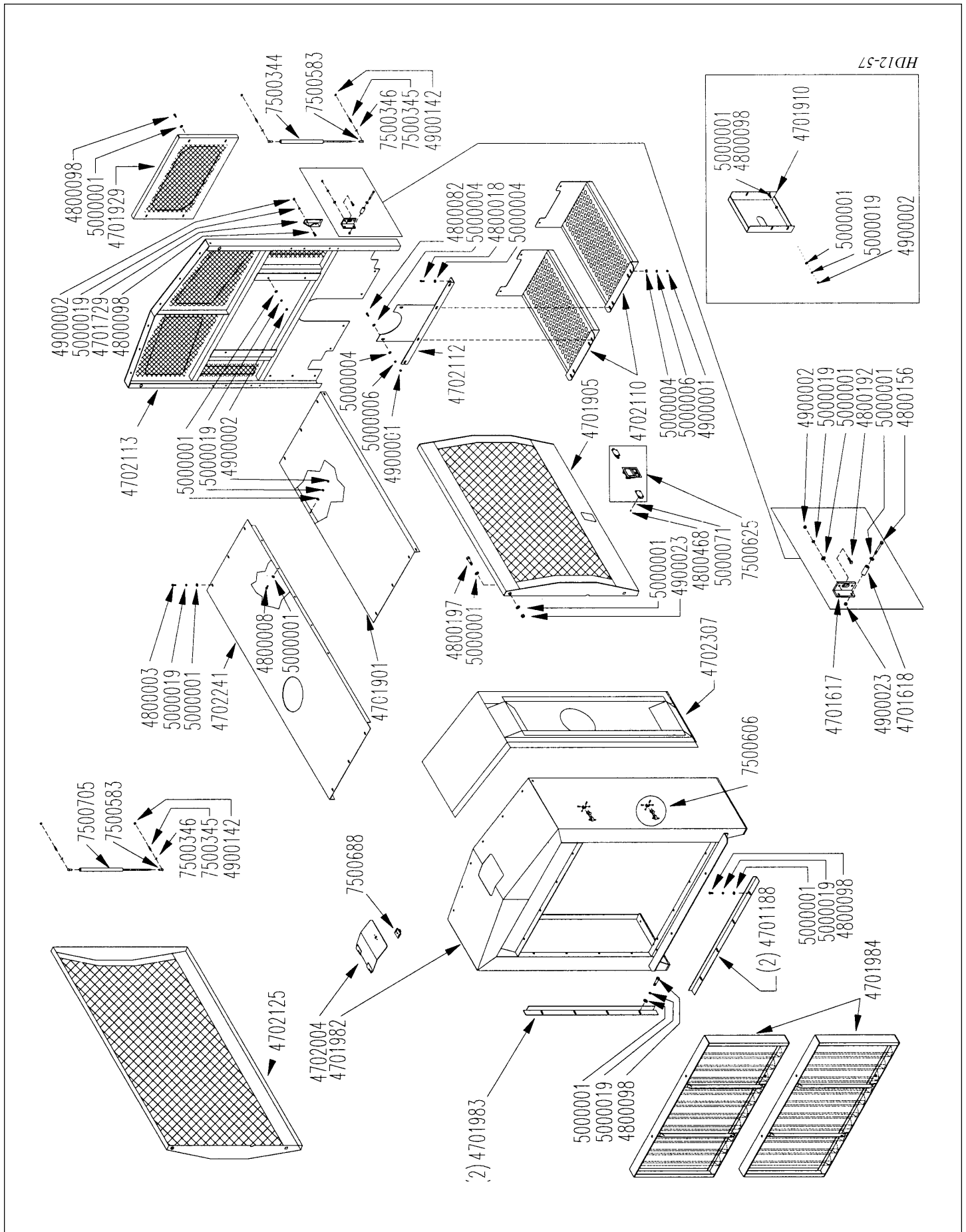
ENGINE / RADIATOR SHIELDS 3408 CAT 500 HP



ENGINE / RADIATOR SHIELDS 3408 CAT 500 HP

PART	QTY.	DESCRIPTION
4702031		SHRDIENG\500\ASY\HD12\97
4701188	1	ANGL\SHURD\50X2-1/4X1-1/4
4701189	1	ANGL\SHURD\44-3/4X2-1/4X
4701617	4	LATCH\STOP\DOOR\SECURITY
4701618	4	CUSH\STOP\DOOR\2-1/2
4701729	4	BRKT\SPG\GAS\DOOR\SECURTY
4701867	1	ENCL\SHROUD\3408\HD12\97
4701868	1	FRM\HINGE\SHROUD
4701869	2	PIN\PLNGR\FRM\HINGE\
4701870	1	BRKT\WLKWY\DRLIN\42X16-58 SN GI0080-HI0089
4701871	2	WLKWY\DRLIN SN GI0080-HI0089
4701872	1	ENCL\ENG\REAR\3408 SN GI0080-HI0089
4701874	2	BUSH\RD\1X2-1/8X0.640
4701896	1	SCRN\GRILLE\RAD\HD12
4701901	1	COV\ENG\3408\HD12\LH
4701904	1	COV\ENG\3408\HD12\RH
4701905	2	COV\ENG\3408\500HP\SEC
4701908	1	GUARD\WLKWY\RAD\3408
4701910	1	GUARD\LEVER\CLUTCH
4701929	1	CVR\CLUTCH\ACCESS\REAR
4701930	1	BRKT\WLKWY\RAD\3408\62.25
4702004	1	DOOR\CAP\RAD
4702110	2	WLKWY\DRLINE\37-1/4X20\EXTENDED\98 SN HI0090 AND UP
4702112	1	BRKT\WLKWY\DRLINE\8-3/4X30\98 SN HI0090 AND UP
4702113	1	ENCL\ENG\REAR\3408\98 SN HI0090 AND UP
4800003	12	BOLT\HEX\3/8X1
4800018	4	BOLT\HEX\1/2X1-1/4
4800034	5	BOLT\HEX\3/8X1-1/2
4800054	2	BOLT\HEX\5/8X3-1/2
4800082	4	BOLT\HEX\1/2X1-1/2
4800098	29	BOLT\HEX\3/8X1-1/4\NC
4800106	2	BOLT\HEX\5/8X1-1/2
4800156	4	BOLT\HEX\3/8X3
4800192	8	SCR\CSK\ALN\3/8X1\NC
4800197	2	BOLT\HEX\3/8X3-1/2
4800305	2	PIN\RLLD\5/16X1-1/2
4800468	16	SCR\RD\SLT\#10X1/2\NC
4900001	6	NUT\HEX\1/2\NC
4900002	32	NUT\HEX\3/8\NC
4900012	4	NUT\TPLCK\5/8\NC
4900023	6	NUT\TPLCK\3/8\NC
4900142	8	NUT\TPLCK\5/16
5000001	68	WASH\FLAT\3/8
5000002	8	WASH\FLAT\5/8
5000004	14	WASH\FLAT\1/2
5000006	8	WASH\LOCK\1/2
5000019	62	WASH\LOCK\3/8
5000071	16	WASH\LOCK\EXT;STAR\#10
6100027	2	SPRNG\COMPRESSION
7500344	4	GAS SPRING
7500345	8	BALL STUD
7500346	8	SAFETY CLIP
7500583	8	END FITTING\GAS SPRNG\
7500625	2	LATCH\IPDDL\3-4974\KEY
7500688	1	LATCH\SLAM\HEX\2100H

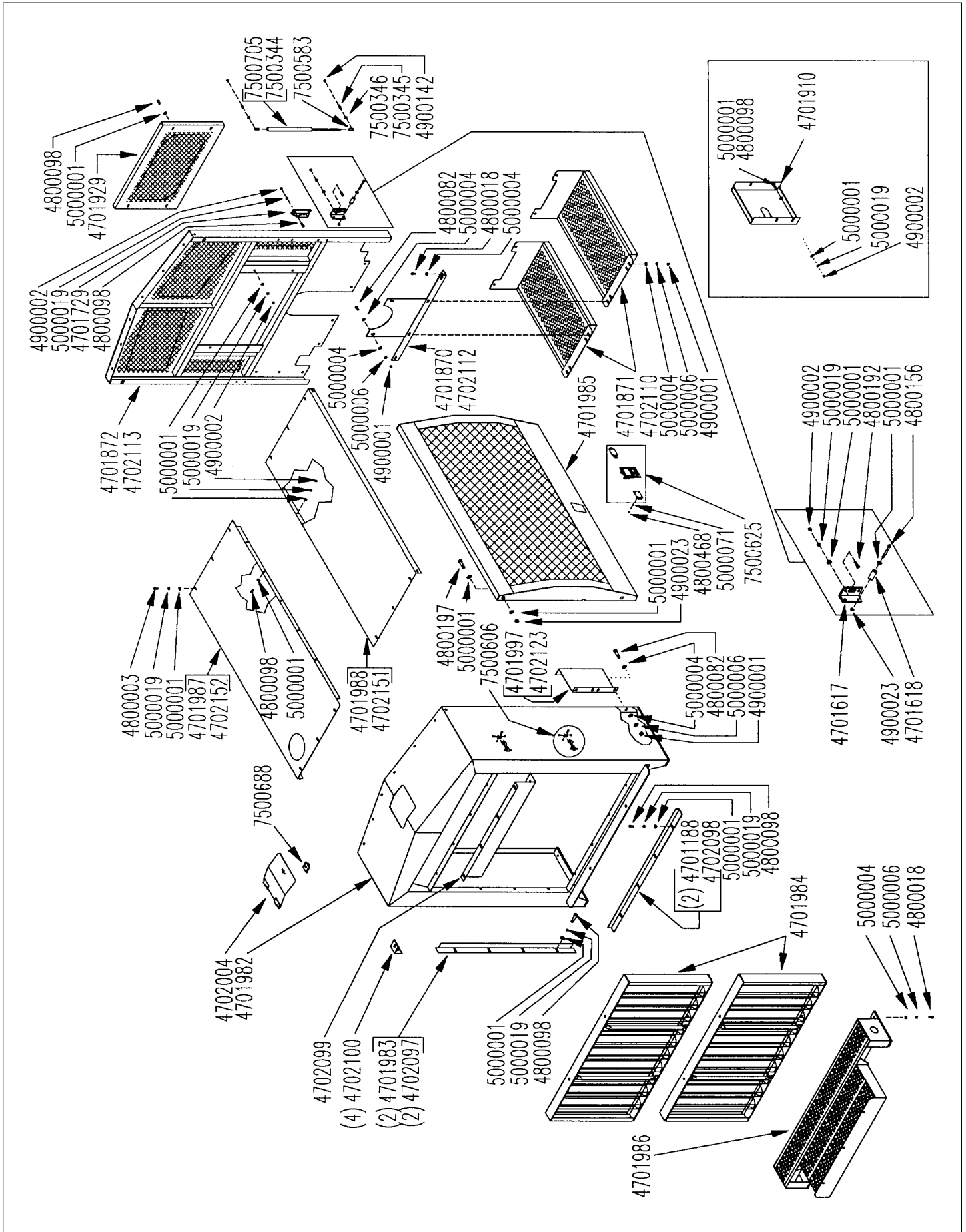
ENGINE / RADIATOR SHIELDS 3412 CAT 650 HP



HD12-57

ENGINE / RADIATOR SHIELDS 3412 CAT 650 HP

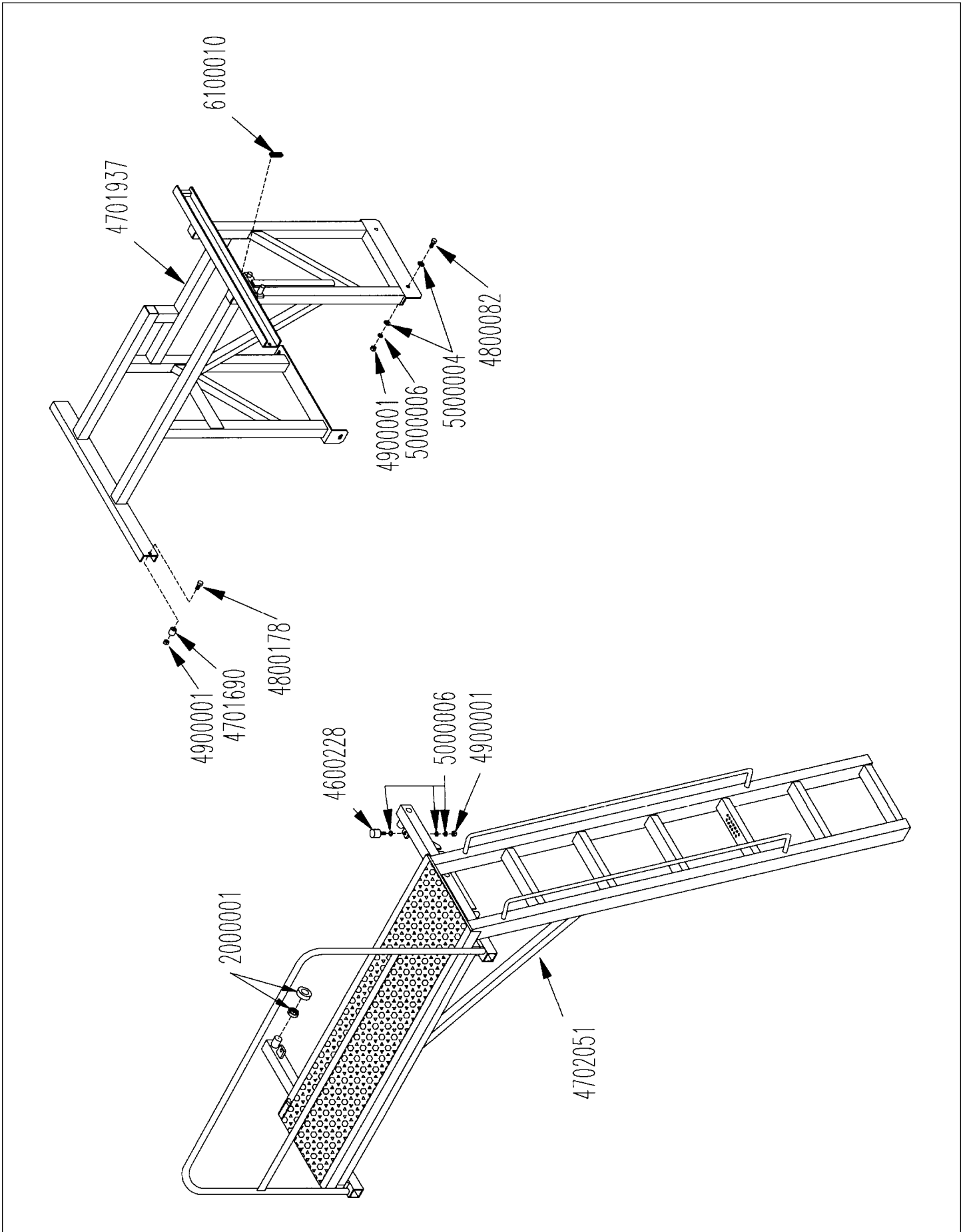
PART	QTY.	DESCRIPTION
		SHRD\ENG\650\ASY\HD12\97
4701188	2	ANGL\SHURD\50X2-1/4X1-1/4
4701617	4	LATCH\STOP\DOOR\SECURITY
4701618	4	CUSH\STOP\DOOR\2-1/2
4701729	4	BRKT\SPG\GAS\DOOR\SECURTY
4701901	1	COV\ENG\3408\HD12\LH
4701905	1	COV\ENG\3408\500HP\SEC
4701910	1	GUARD\LEVER\CLUTCH
4701929	1	CVR\CLUTCH\ACCESS\REAR
4701982	1	ENCL\SHROUD\UNIV\HD12
4701983	2	ANGLE\SHRD\50-3/4X2-1/4X
4701984	2	SCRN\GRILLE\RAD\HALF\UNIV
4702004	1	DOOR\CAP\RAD
4702110	2	WLKWY\DRLINE\37-1/4X20\EXTENDED\98 SN HI0090 AND UP
4702112	1	BRKT\WLKWY\DRLINE\8-3/4X30\98 SN HI0090 AND UP
4702113	1	ENCL\ENG\REAR\3408\98 SN HI0090 AND UP
4702123	1	CVR\SHROUD\16X24-1/8\PNL\CNTRL for 3412 ENGINE
4702125	1	COV\ENG\3412\650HP\SEC
4702241	1	COV\ENG\3412\650HP\RH
4702307	1	ENCL\SHROUD\LH\CAT3412
4800003	12	BOLT\HEX\3/8X1
4800018	6	BOLT\HEX\1/2X1-1/4
4800082	6	BOLT\HEX\1/2X1-1/2
4800098	33	BOLT\HEX\3/8X1-1/4\NC
4800156	4	BOLT\HEX\3/8X3
4800192	8	SCR\CSK\ALN\3/8X1\NC
4800197	2	BOLT\HEX\3/8X3-1/2
4800468	16	SCR\RD\SLT\#10X1/2\NC
4900001	10	NUT\HEX\1/2\NC
4900002	25	NUT\HEX\3/8\NC
4900023	6	NUT\TPLCK\3/8\NC
4900142	8	NUT\TPLCK\5/16
5000001	62	WASH\FLAT\3/8
5000004	24	WASH\FLAT\1/2
5000006	12	WASH\LOCK\1/2
5000019	53	WASH\LOCK\3/8
5000071	16	WASH\LOCK\EXT;STAR\#10
7500344	2	GAS SPRING for 4701905
7500345	8	BALL STUD
7500346	8	SAFETY CLIP
7500583	8	END FITTING\GAS SPRNG\
7500606	4	LATCH\35-MAUSTIN
7500625	2	LATCH\PDDL\3-4974\KEY
7500688	1	LATCH\SLAM\HEX\2100H
7500705	2	SPRING\GAS\250LB for 4702125



ENGINE / TWO PIECE RADIATOR SHIELDS CAT 3408E 575HP & 3406 460 HP

PART	QTY.	DESCRIPTION
4702029		SHRD\ENG\575\ASY\HD12\97
4701188	2	ANGL\SHURD\50X2-1/4X1-1/4
4701617	4	LATCH\STOP\DOOR\SECURITY
4701618	4	CUSH\STOP\DOOR\2-1/2
4701729	4	BRKT\SPG\GAS\DOOR\SECURTY
4701870	1	BRKT\WLKWY\DRLIN\42X16-58 SN GI0080-HI0089
4701871	2	WLKWY\DRLIN SN GI0080-HI0089
4701872	1	ENCL\ENG\REAR\3408 SN GI0080-HI0089
4701910	1	GUARD\LEVER\CLUTCH
4701929	1	CVR\CLUTCH\ACCESS\REAR
4701982	1	ENCL\SHROUD\UNIV\HD12
4701983	2	ANGLE\SHRD\50-3/4X2-1/4X> for 3408 ENGINE
4701984	2	SCRN\GRILLE\RAD\HALF\UNIV
4701985	2	COV\ENG\3408\575HP\SEC for 3406 & 3408 ENGINE
4701986	1	WLKWY\FRONT\RAD\3408\575>
4701987	1	COV\ENG\3408\575HP\RH for 3408ENGINE
4701988	1	COV\ENG\3408\575HP\LH for 3408ENGINE
4701997	1	CVR\SHRD\16X9-7/8\PNL\> for 3406 & 3408 ENGINE
4702004	1	DOOR\CAP\RAD
4702097	2	SEAL\RAD\VERT\3406 for 3406 ENGINE
4702098	1	SEAL\RAD\HORIZ\BTM\3406 for 3406 ENGINE
4702099	1	SEAL\RAD\HORIZ\TOP\3406 for 3406 ENGINE
4702100	4	ANGLE\CORNER\SEAL\RAD\3406 for 3406 ENGINE
4702110	2	WLKWY\DRLINE\37-1/4X20\EXTENDED\98 SN HI0090 AND UP
4702112	1	BRKT\WLKWY\DRLINE\8-3/4X30\98 SN HI0090 AND UP
4702113	1	ENCL\ENG\REAR\3408\98 SN HI0090 AND UP
4702123	2	CVR\SHROUD\16X24-1/8\PNL\CNTRL for 3412 ENGINE
4702151	1	COV\ENG\3406\460HP\LH for 3406 ENGINE
4702152	1	COV\ENG\3406\460HP\RH for 3406 ENGINE
4800003	12	BOLT\HEX\3/8X1
4800018	6	BOLT\HEX\1/2X1-1/4
4800082	6	BOLT\HEX\1/2X1-1/2
4800098	33	BOLT\HEX\3/8X1-1/4\NC
4800156	4	BOLT\HEX\3/8X3
4800192	8	SCR\CSK\ALN\3/8X1\NC
4800197	2	BOLT\HEX\3/8X3-1/2
4800468	16	SCR\RD\SLT\#10X1/2\NC
4900001	10	NUT\HEX\1/2\NC
4900002	25	NUT\HEX\3/8\NC
4900023	6	NUT\TPLCK\3/8\NC
4900142	8	NUT\TPLCK\5/16
5000001	62	WASH\FLAT\3/8
5000004	24	WASH\FLAT\1/2
5000006	12	WASH\LOCK\1/2
5000019	53	WASH\LOCK\3/8
5000071	16	WASH\LOCK\EXT;STAR\#10
7500344	4	GAS SPRING for 3406 & 3408 ENGINE
7500345	8	BALL STUD
7500346	8	SAFETY CLIP
7500583	8	END FITTING\GAS SPRNG\
7500606	4	LATCH\35-M\AUSTIN
7500625	2	LATCH\PPDL\3-4974\KEY
7500688	1	LATCH\SLAM\HEX\2100H
7500705	4	SPRING\GAS\250LB

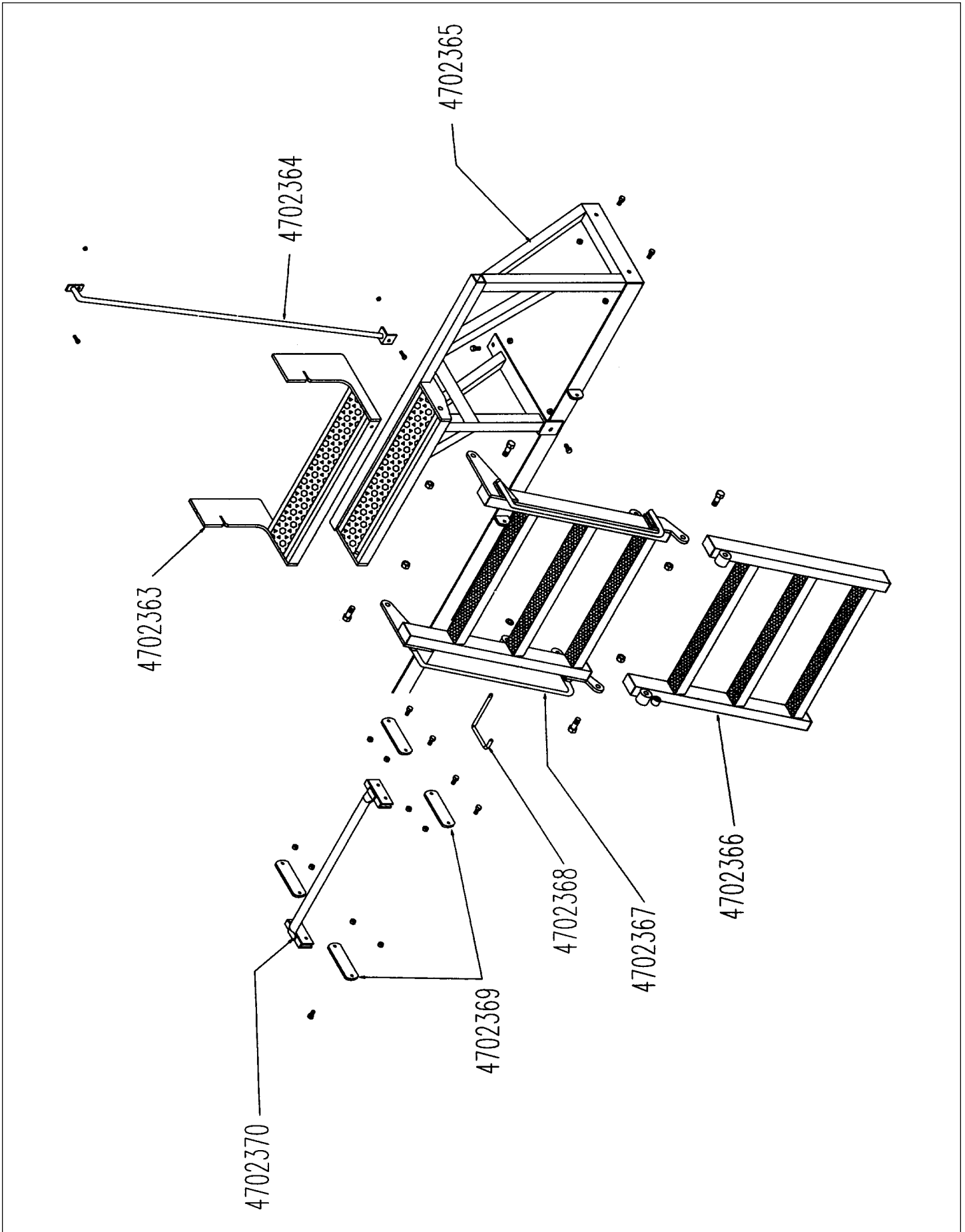
RETRACTABLE LOADER LADDER



RETRACTABLE LOADER LADDER

PART	QTY.	DESCRIPTION
4702022		LDDR\RTRCTVASY\HD12\97
2000001	2	"1-1/4""W/COLLAR INSERT TYP"
4600228	2	CAM FOLLOWER BRG CF 1 3/8
4701690	2	STOP\RAIL\PLFRM\LDR\HOOD
4701937	1	PLFRM\SIDE\LDR\HOOD>
4702051	1	LDDR\RTRBL\LDR\HD12
4800082	4	BOLT\HEX\1/2X1-1/2
4800178	2	BOLT\HEX\1/2X1-3/4
4900001	8	NUT\HEX\1/2\NC
5000004	12	WASH\FLAT\1/2
5000006	6	WASH\LOCK\1/2
6100010	1	SPRNG\TNSN\

FOLDING LOADER LADDER



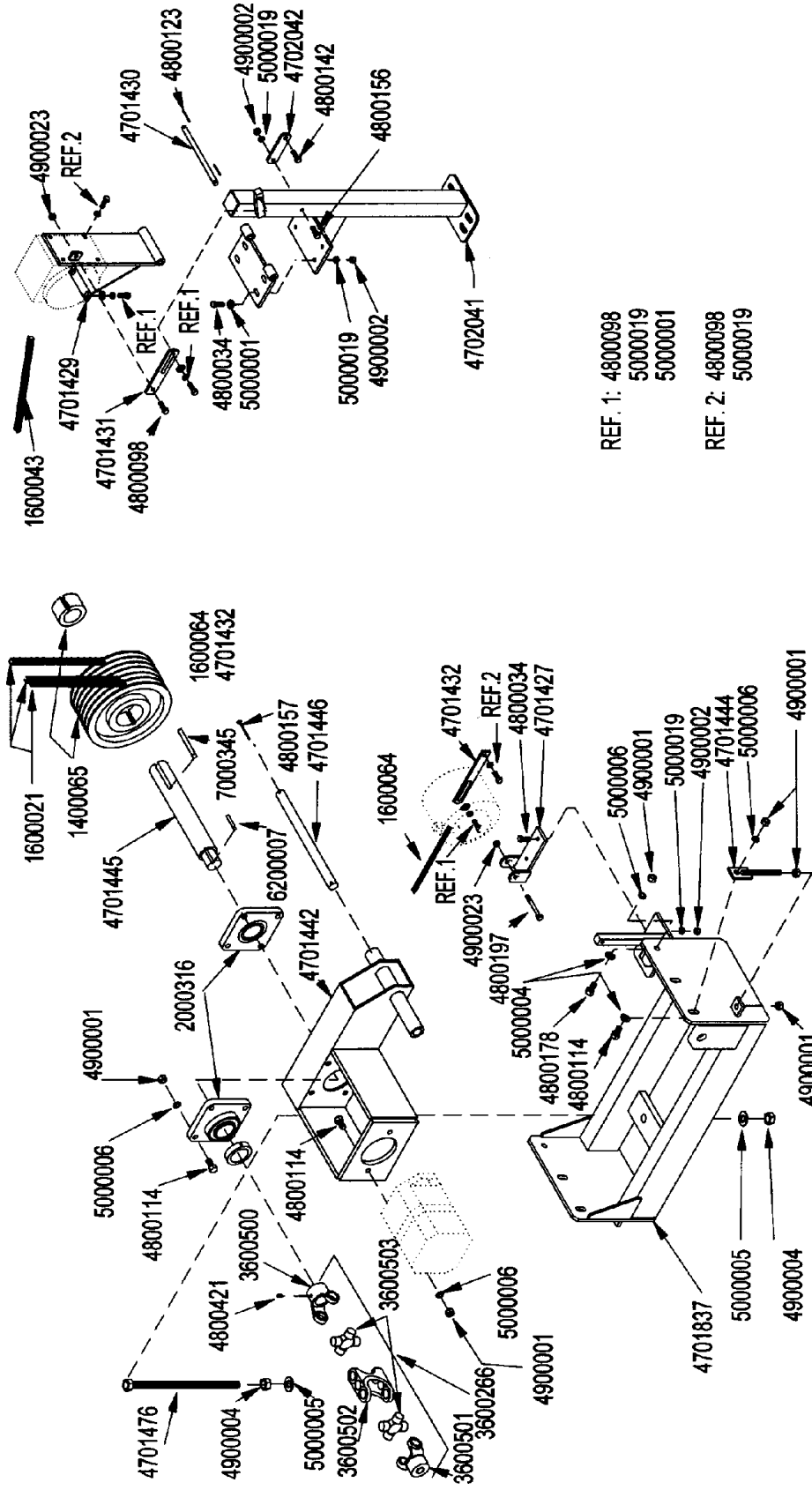
FOLDING LOADER LADDER

<u>PART</u>	<u>QTY.</u>	<u>DESCRIPTION</u>
4702363	1	STEP\PLATFORM\HOOD LOADER
4702364	1	HAND RAIL\STEP\PLATFORM\HOOD LOADER
4702365	1	BRKT\SUPPORT\LADDER
4702366	1	LADDER\LOWER\HOOD LOADER
4702367	1	LADDER\UPPER\HOOD LOADER
4702368	1	LOCK\LADDER\HOOD LOADER
4702369	4	HINGE\LOCKING\LADDER
4702370	1	COUPLER\HINGE\LOCKING\LADDER

CAT 3412 LOADER DRIVE

PART	QTY.	DESCRIPTION
4701415		DRLINASSY\PUMPLoader\CAT3412
1400065	1	SHVE\B-6\9.4\W\BUSH\2
1600028	1	V-BELT\B\79
1600057	3	V-BELT\B\56
1600076	1	V-BELT\A\41
2000316	2	BRG\FLG\CAST\2\4BOLT\
3600266	1	"DRLIN\IND\1310\6""\>"
3600500		YOKE\1610\1-1/2
3600501		YOKE\1610\7/8-13T
3600502		YOKE\1610\H-YOKE
3600503		KIT\CROSS&BRG\1610\36-266
4701426	1	BRKT\A\C\21-1/4X14-1/8X8>
4701427	1	BRKT\ALT\6X2-1/2X2-1/8
4701428	1	BRKT\A\C\7-1/2X5\BASE
4701429	1	BRKT\A\C\4-1/2X13-1/2\CMP
4701430	1	PIN\HDLSS\1/2X8-1/2\2HOLE
4701431	1	STRAP\A\C\1/4X1-1/4X6-1/2
4701432	1	STRAP\ALT\1/4X1X7-3/4\ADJ
4701442	1	BRKT\PUMP\22X14-3/4X6\>
4701443	1	FRAME\PUMP\40-3/4X12-1/2>
4701444	2	BOLT\ADJ\1/2X6-1/2\PUMP\>
4701446	1	PIN\HDLSS\1X14\2HOLE\3/16
4701476	1	BOLT\ADJ\3/4X9-1/2\WLDD>
4702109		SHFT\PUMP\15-1/2X2\HYD
4800034	6	BOLT\HEX\3/8X1-1/2
4800098	3	BOLT\HEX\3/8X1-1/4\NC
4800114	4	BOLT\HEX\1/2X2
4800123	2	PIN\COT\1/8X1-1/2
4800157	2	PIN\COT\3/16X2
4800178	2	BOLT\HEX\1/2X1-3/4
4800197	1	BOLT\HEX\3/8X3-1/2
4800421	1	SCR\SET\ALN\5/16X3/8\NC
4900001	0	NUT\HEX\1/2\NC
4900002	6	NUT\HEX\3/8\NC
4900004	2	NUT\HEX\3/4\NC
4900023	2	NUT\TPLCK\3/8\NC
5000001	6	WASH\FLAT\3/8
5000004	6	WASH\FLAT\1/2
5000005	2	WASH\FLAT\3/4
5000006	6	WASH\LOCK\1/2
5000019	0	WASH\LOCK\3/8
6200007	1	KEY\SQ\3/8X1-1/2
7000345	1	KEY\SQ\1/2X2\CR

CAT 3408 LOADER DRIVE



REF. 1: 4800098
 5000019
 5000001

REF. 2: 4800098
 5000019

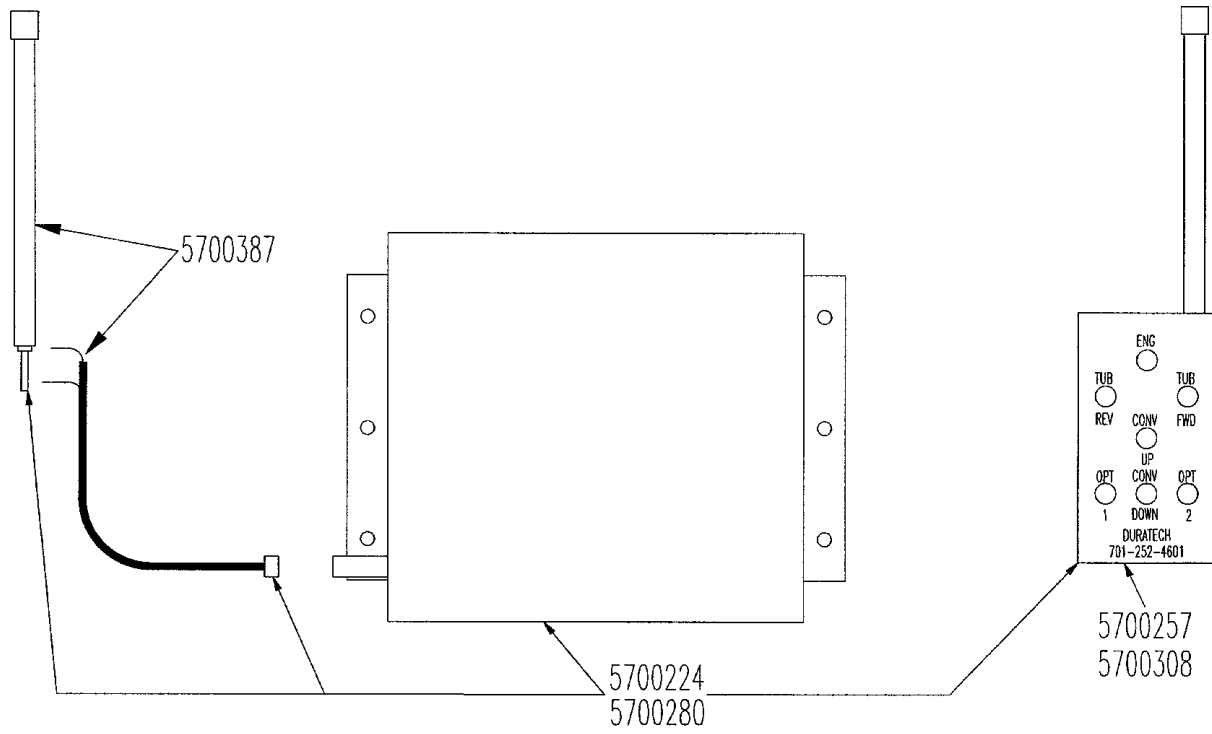
CAT 3408 LOADER DRIVE

PART	QTY.	DESCRIPTION
4702043		DRLIN\ASSY\PUMP\LOADER\CAT\3408
1400065	1	SHVE\B-6\9.4\W\BUSH\2
1600021	3	V-BELT\B\56
1600043	1	V-BELT\B\70
1600064	1	V-BELT\A\38
2000316	2	BRG\FLG\CAST\2\4BOLT
3600266	1	"DRLIN\IND\1310\6""\>"
3600500		YOKE\1610\1-1/2
3600501		YOKE\1610\7/8-13T
3600502		YOKE\1610\H-YOKE
3600503		KIT\CROSS&BRG\1610\36-266
4701427	1	BRKT\ALT\6X2-1/2X2-1/8
4701429	1	BRKT\A\C\4-1/2X13-1/2\CMP
4701430	1	PIN\HDLSS\1/2X8-1/2\2HOLE
4701431	1	STRAP\A\C\1/4X1-1/4X6-1/2
4701432	1	STRAP\ALT\1/4X1X7-3/4\ADJ
4701442	1	BRKT\PUMP\22X14-3/4X6\>
4701444	2	BOLT\ADJ\1/2X6-1/2\PUMP\>
4701445	1	SHFT\PUMP\2X14-1/4\LOADER
4701446	1	PIN\HDLSS\1X14\2HOLE\3/16
4701476	1	BOLT\ADJ\3/4X9-1/2\WLDD>
4701837	1	MNT\PUMP\HYD\29-3/4X12-1/2>
4702041	1	BRKT\A\C\30-1/4X10X7>
4702042	1	BRKT\SUP\A\C\4-1/4X1-1/4>
4800034	6	BOLT\HEX\3/8X1-1/2
4800098	6	BOLT\HEX\3/8X1-1/4\NC
4800114	14	BOLT\HEX\1/2X2
4800123	2	PIN\COT\1/8X1-1/2
4800142	1	BOLT\HEX\3/8X1-3/4
4800156	1	BOLT\HEX\3/8X3
4800157	2	PIN\COT\3/16X2
4800178	2	BOLT\HEX\1/2X1-3/4
4800197	1	BOLT\HEX\3/8X3-1/2
4800421	1	SCR\SET\ALN\5/16X3/8\NC
4900001	20	NUT\HEX\1/2\NC
4900002	7	NUT\HEX\3/8\NC
4900004	2	NUT\HEX\3/4\NC
4900023	2	NUT\TPLCK\3/8\NC
5000001	9	WASH\FLAT\3/8
5000004	6	WASH\FLAT\1/2
5000005	2	WASH\FLAT\3/4
5000006	16	WASH\LOCK\1/2
5000019	12	WASH\LOCK\3/8
6200007	1	KEY\SQ\3/8X1-1/2
7000345	1	KEY\SQ\1/2X2\CR

NOTE - FOR MACHINES WITHOUT LOADER, BELT 1600064 IS A\36

NOTE - MACHINES THAT ARE 24 VOLTS ONLY (HI 0091 AND UP) DO NOT HAVE A 12 VOLT ALTERNATOR OR SUPPORTING BRACKETS OR DRIVES

MICROTRONIC'S RADIO REMOTE CONTROL



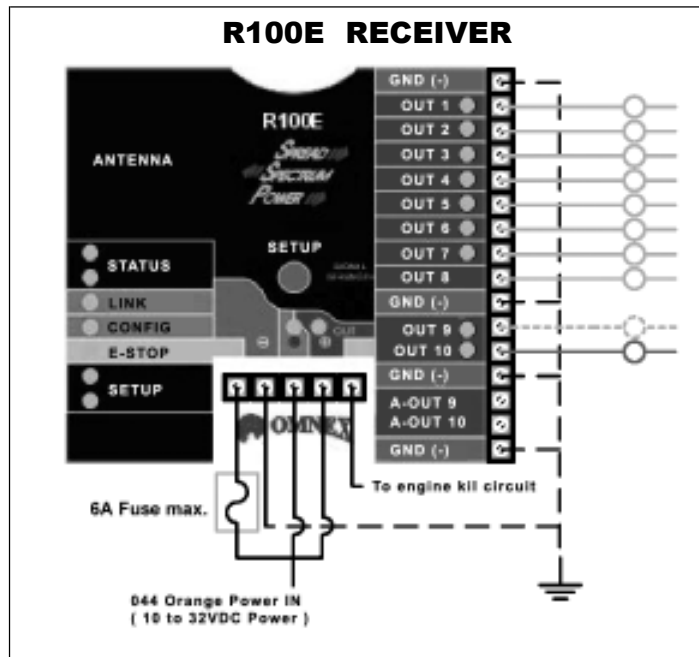
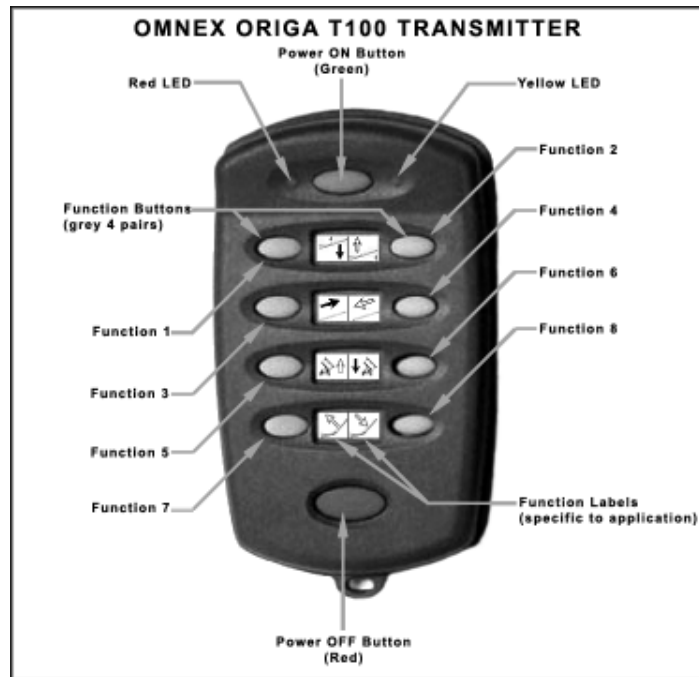
MICROTRONIC'S INC.
 ADDRESS CODE
 1 2 3 4 5 6 7 8 9 10
 11 12 13 14 15 16 17 18 19 20
 A B C D E F
 S/N _____

BE SURE TO SPECIFY TRANSMITTER CODE LETTER WHEN ORDERING TRANSMITTER

MICROTRONIC'S RADIO REMOTE CONTROL

<u>PART</u>	<u>QTY.</u>	<u>DESCRIPTION</u>
5700224	1	RADIO\REMOTE\CONTROL\7B\COMP\24V
5700257	1	RADIO\REMOTE\SENDER\7BUTTON\D BAND
5700308		RADIO\REMOTE\SENDER\7BUTTON\C BAND
5700344		RADIO\REMOTE\24V\7F\REBUILT
5700387		RADIO\REMOTE\ANTENNA AND CABLE

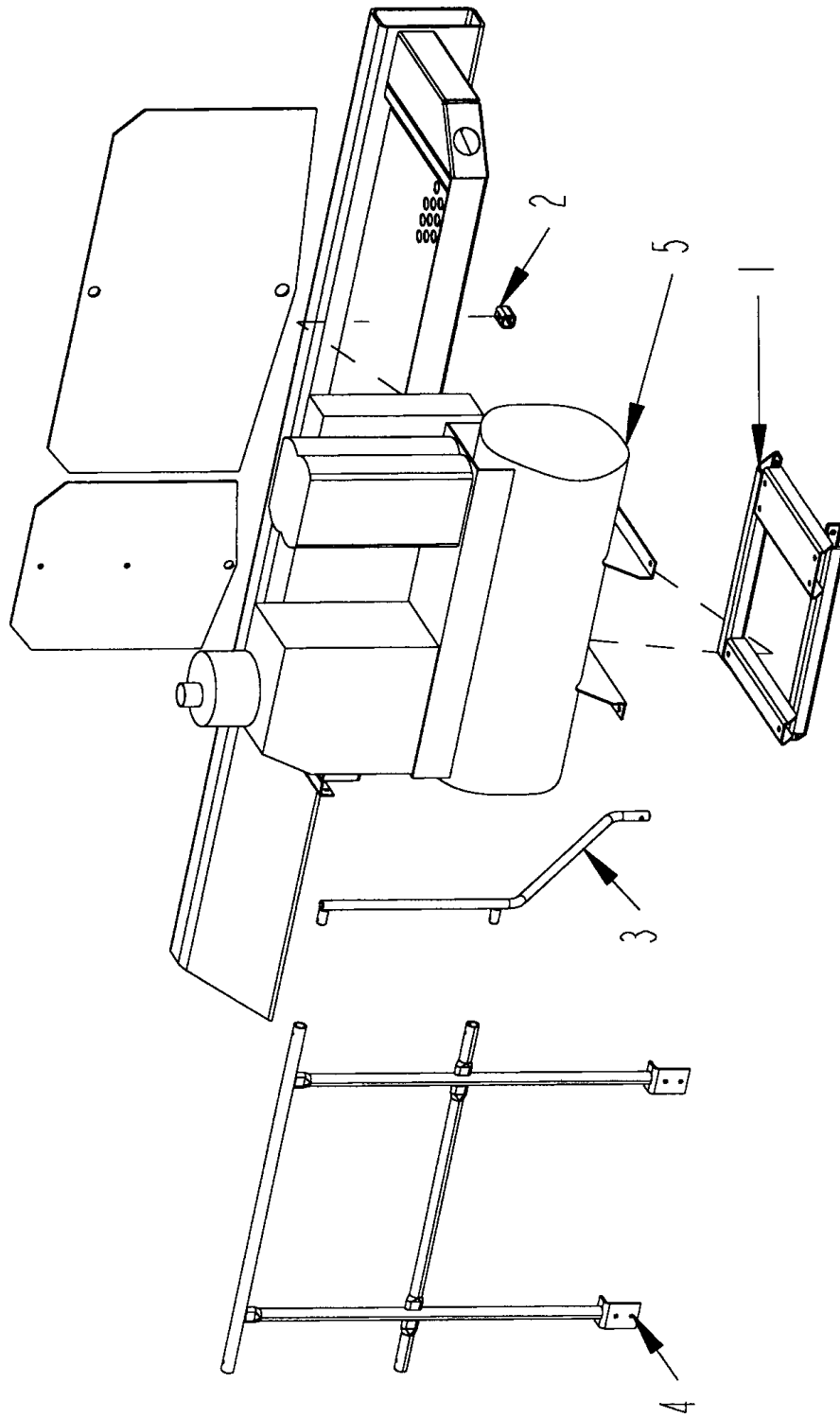
OMNEX RADIO REMOTE CONTROL



OMNEX RADIO REMOTE CONTROL

PART	QTY.	DESCRIPTION
5700444		RADIO\REMOTE\OMNEX\900MHZ\package
5700549		RADIO\REMOTE\ANTENNA\900MHZ
5700620		RADIO\REMOTE\OMNEX\900TX replacement transmitter
5700553		RADIO\REMOTE\OMNEX\915MHZ package
5700549		RADIO\REMOTE\ANTENNA\900MHZ
5700554		RADIO\REMOTE\OMNEX\2.4GHZ\package

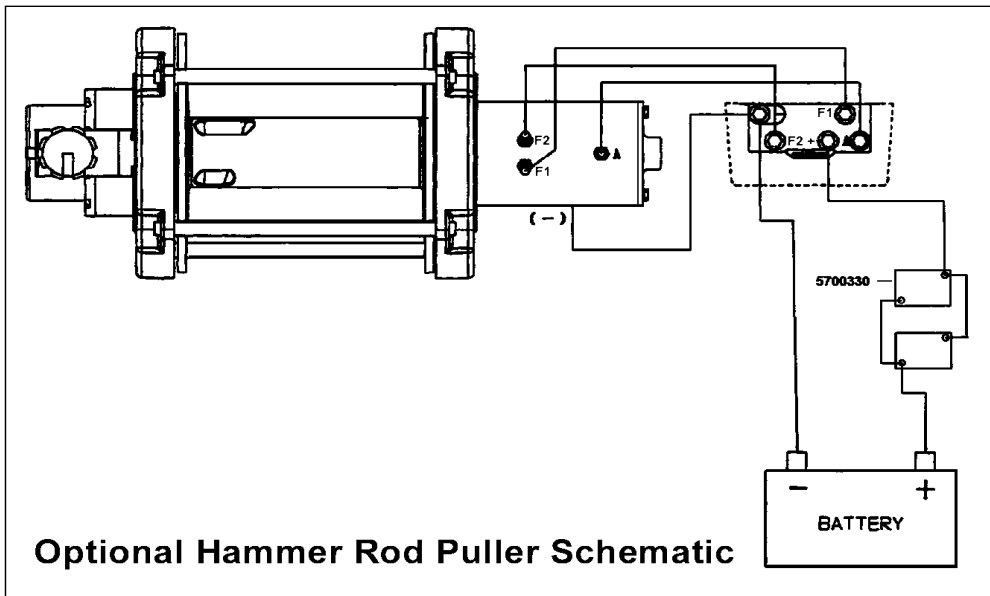
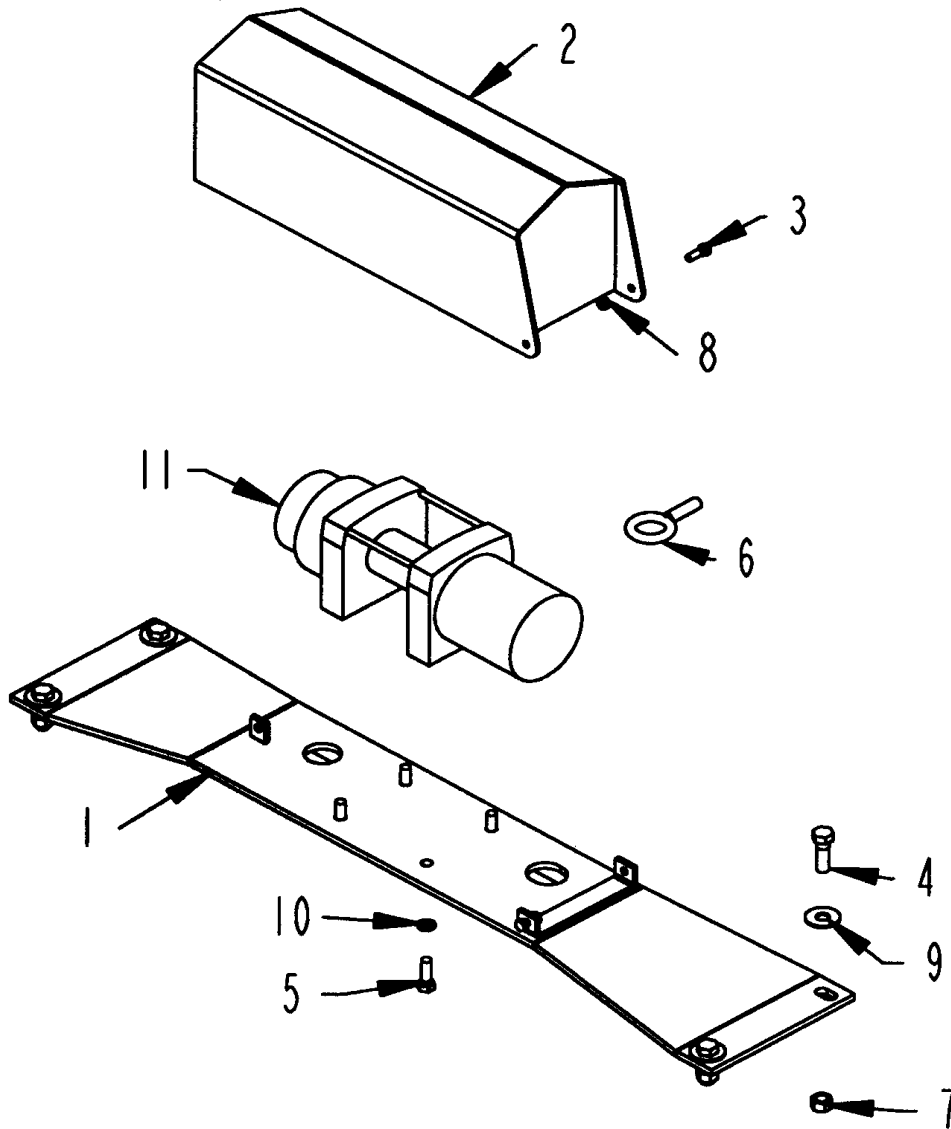
AIR COMPRESSOR ASSEMBLY



AIR COMPRESSOR ASSEMBLY

ITEM	PART	QTY.	PART DESCRIPTION
	4702555		COMP\AIR\12HP\GAS\PKG\
1	4702490	1	FRM\COMP\AIR\12HP\HD12IV
2	4702491	1	SPCR\TUBE\FRM\COMP\AIR
3	4702493	1	BRACE\RAIL\HAND\COMP\AIR\
4	4702494	1	RAIL\HAND\41-11/16\COMP
5	7500584	1	COMP\AIR\12HP\GAS\
NOT SHOWN			
	5700206	2	TERM\RING\3/8\4GA\
	5700353	22'	CBL\BATT\RED\#4
	7500856	1	CAP\RAIN\1-1/4 TO 1-7/16
	7500860	1	HOSE\AIR\KIT\12HP\COMP

HAMMER ROD PULLER ASSEMBLY



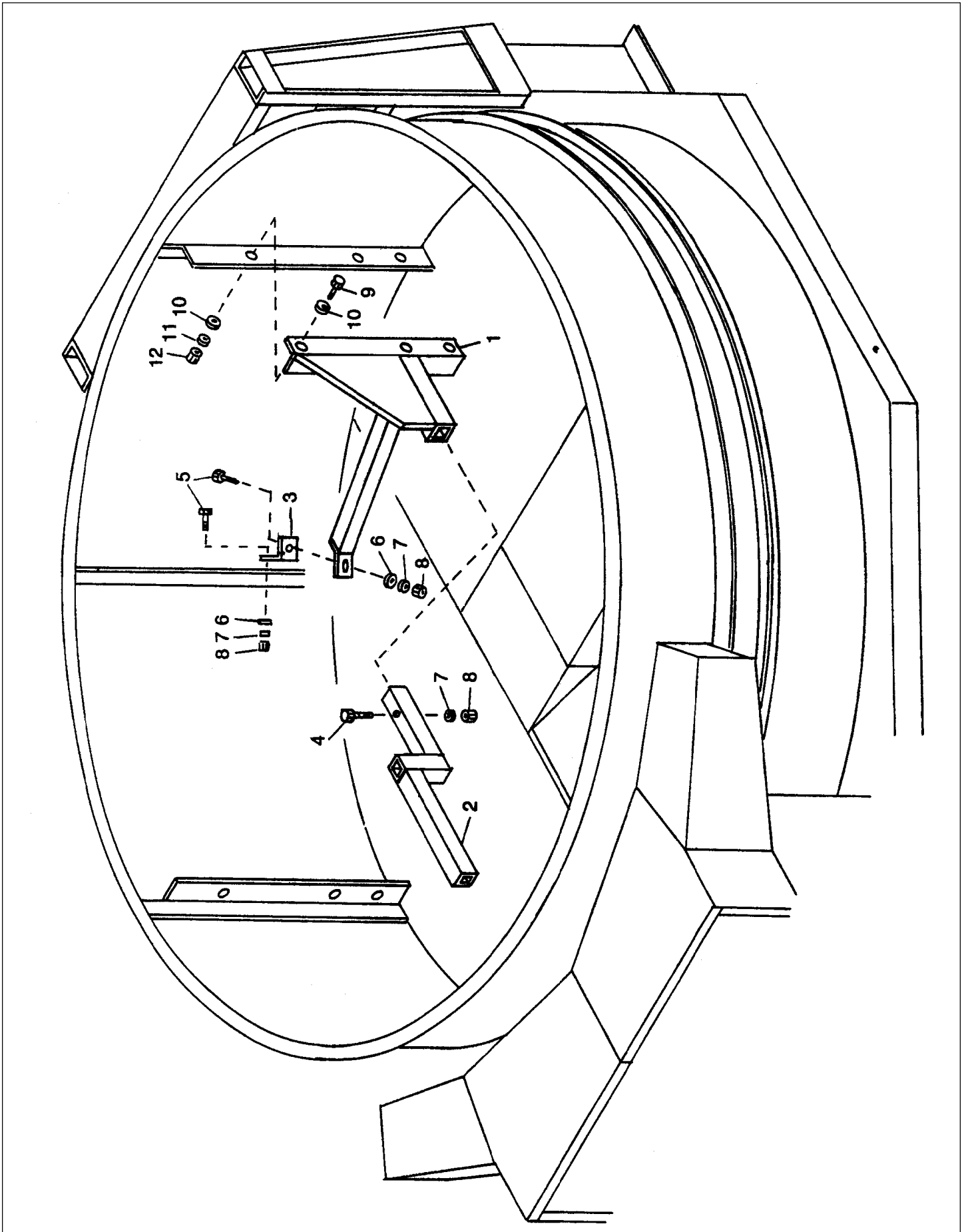
HAMMER ROD PULLER ASSEMBLY

ITEM	PART	QTY.	PART DESCRIPTION
	4702285		HMMR\ROD\PLLR\HD12\PKG
1	4702320	1	FRAME\PULLER\ROD\HAMMER\22" for SN up to II110
1A	4702618		FRAME\PULLER\ROD\HAMMER\24"(SHOWN) SN II110 and up
2	4702340	1	COVER\PULLER\ROD\HAMMER\22" for SN up to II110
2A	4702619		COVER\PULLER\ROD\HAMMER\24"(SHOWN) SN II110 and up
3	4800003	2	BOLT\HEX\3/8X1
4	4800010	4	BOLT\HEX\5/8X2
5	4800082	4	BOLT\HEX\1/2X1-1/2
6	4800600	1	BOLT\EYE\5/8X1-1-3/4\NC\1-3/8EYE\FORGED
7	4900012	4	NUT\TPLCK\5/8\NC
8	4900023	2	NUT\TPLCK\3/8\NC
9	5000002	4	WASH\FLAT\5/8
10	5000006	4	WASH\LOCK\1/2
11	5800019	1	WINCH\ELEC\2000#\24VDC\HMMR;ROD;PULLER

Not Shown

4703012	2	TERM\JMPR\BENT\STRIP
4800027	2	CLAMP\CBL\1/4
5700206	10	TERM\RING\4GAX\3/8
5700330	2	BRKR\CRCT\100A\AUTO\SURF
5700353	28 FT	CBL\BTTRY\#4\RED(PER FT)
5800002	1 5/16"	SLIP HOOK
5800315	20 FT	CABLE\1/4"(PER FT)
7500835	28 FT	LOOM\POLY\SPLIT\1/2

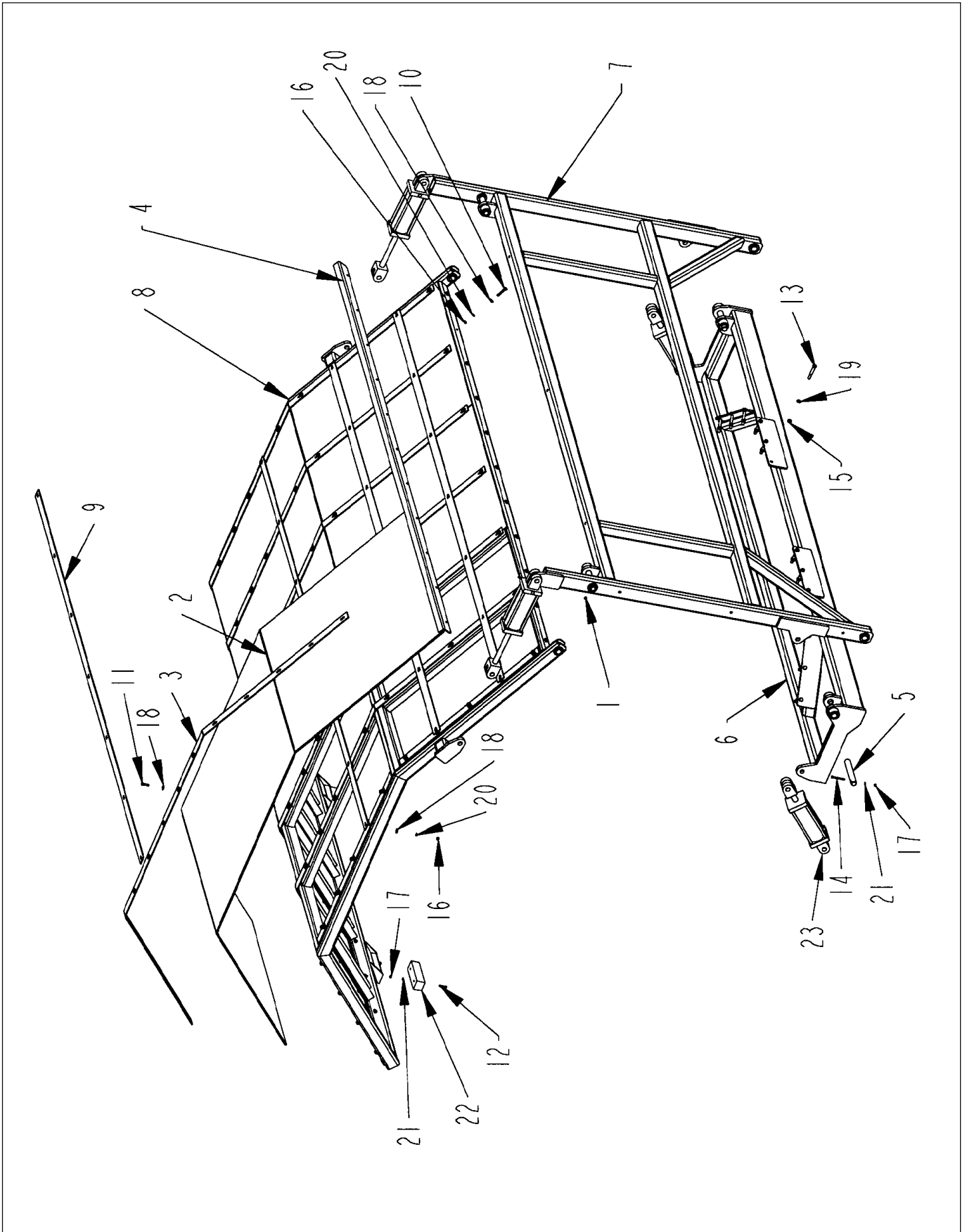
TUB AGITATOR



TUB AGITATOR

ITEM	PART NO.	QTY.	DESCRIPTION
1	4700493	2	Tub Agitator Mount
2	4700143	2	Tub Agitator Arm
3	4700144	2	Tub Agitator Bracket
4	4800188	2	1/2" x 4" Bolt
5	4800082	4	1/2" x 1-1/2" Bolt
6	5000004	4	1/2" Flat Washer
7	5000006	6	1/2" Lock Washer
8	4900001	6	1/2" Hex Nut
9	4800106	6	5/8" x 1-1/2" Bolt
10	5000002	12	5/8" Flat Washer
11	5000003	6	5/8" Lock Washer
12	4900005	6	5/8" Hex Nut
	4700982		Tub Agitator Kit (Includes 2 agitators complete)

TUB COVER ASSEMBLY



TUB COVER ASSEMBLY

ITEM	PART	QTY.	PART DESCRIPTION
1	3800043	6	FTG\LUB\1/8MPXZRK\SHORT
2	4702855	3	SCRN\WIRE\FRM\OBJ\THROWN\HD12
3	4702856	7	FLAT\CLMP\SCRN\FRM\OBJ\THROWN
4	4702857	2	ANGLE\SCRN\OBJ\THROWN
5	4702858	4	PIN\1-1/4X8-1/2
6	4702862	1	FRM\LWR\OBJ\THROWN
7	4702863	1	TUBE\FRM\BRRIR\OBJ\THROWN
8	4702864	1	FRM\OBJ\THROWN\TOP
9	4703030	4	FLAT\CLMP\SCRN\TC\HD12
10	4800029	22	BOLT\HEX\3/8X2-1/2
11	4800034	98	BOLT\HEX\3/8X1-1/2
12	4800081	4	BOLT\HEX\5/16X1-1/2
13	4800135	12	BOLT\HEX\1/2X3-1/2
14	4800182	4	BOLT\HEX\5/16X3
15	4900001	12	NUT\HEX\1/2\NC
16	4900002	120	NUT\HEX\3/8\NC
17	4900003	8	NUT\HEX\5/16\NC
18	5000001	218	WASH\FLAT\3/8
19	5000006	12	WASH\LOCK\1/2
20	5000019	118	WASH\LOCK\3/8
21	5000022	8	WASH\LOCK\5/16
22	7500635	2	CUSH\RBBR\7-3/4X2-7/16X2
23	4100185	4	CYL\HYD\3-1/2X8\TIE

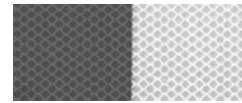
DECALS



6500042



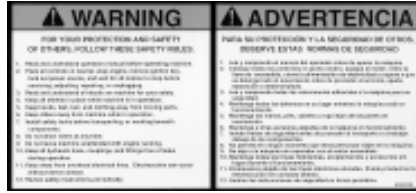
6500159



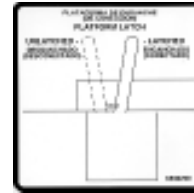
6500245



6500118



6500208



6500250



6500121



6500212



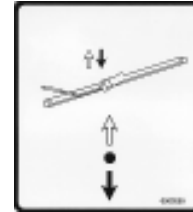
6500253



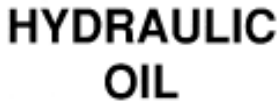
6500123



6500214



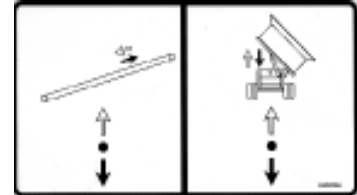
6500255



6500124



6500216



6500256

ENGINE SERVICE REPORT

- Check engine oil level.
- Check engine coolant.
- Check batteries.
- Check air cleaner for obstructions.
- Check exhaust for obstructions.

6500132

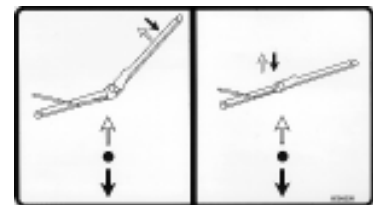
8580132

HD-12

6500138



6500220



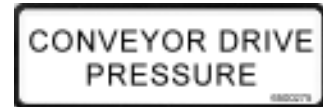
6500258



6500156



6500224



6500275



6500157



6500155



6500274

REMOTE CONTROL TUB FORWARD
MANUAL CONTROL TUB REVERSE

6500208

DECALS

PART	QTY.	DESCRIPTION
6500042	2	DECAL\WARN\KEEP;WHL;BLTS>
6500118	2	DECAL\DNGR\OBJECTS;THROWN
6500121	1	DECAL\WARN\IMPORTANT\DO;>
6500123	1	DECAL\INFO\DIESEL;FUEL
6500124	1	DECAL\INFO\HYD;OIL
6500132	1	DECAL\INFO\ENG;SERV
6500138	2	DECAL\LOGO\HD-12\SLV
6500155		DECAL\LOGO\4\STRIPE\SLV
6500156	37	DECAL\LOGO\2\STRIPE\SLV
6500157	2	DECAL\LOGO\RECYCLE\SLV
6500159	2	DECAL\LOGO\BIG;BITE;SLVR
6500206	1	DECAL\INFO\RADIO;CTRLR
6500208	1	DECAL\WARN\GENERAL
6500212	1	DECAL\WARN\ROTATING;PART
6500214	2	DECAL\WARN\OVRHEAD;CNVYR
6500216	2	DECAL\WARN\ELEC;HAZARD
6500220	2	DECAL\WARN\HI;PRESS;FLUID
6500224	2	DECAL\LOGO\DURATECH\SLV
6500233		DECAL KIT
6500245	35	DECAL\MISC\TAPE\RED\WHT
6500250	1	DECAL\INFO\LATCH\PLATFORM
6500253	3	DECAL\INFO\FLUID;LEVEL
6500255	1	DECAL\CNVYR;LIFT
6500256	1	DECAL\INFO\CNVYR;RUN & TILT
6500258	1	DECAL\INFO\CNVYR\LIFT & FOLD
6500274	1	DECAL\INFO\TUB;PRESSURE
6500275	1	DECAL\INFO\CNVYR;PRESSURE
6500244	2	DURATECH 9"
7500403		PAINT\MAROON\QUART
7500404		PAINT\MAROON\GALLON
7500405		PAINT\MAROON\SPRAY\12OZ.



